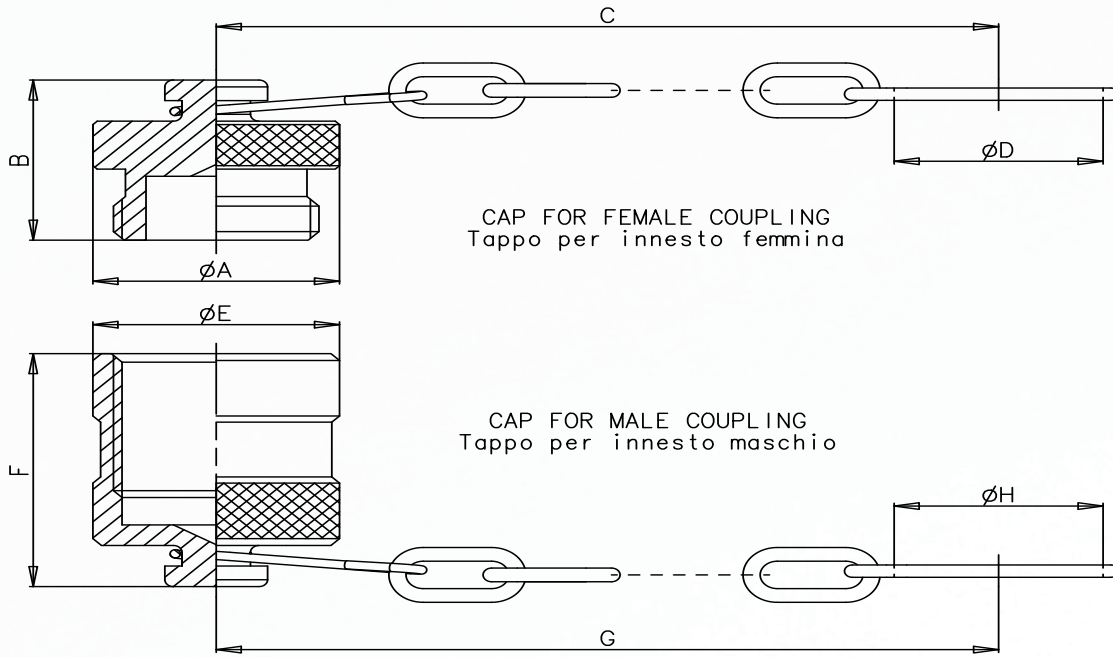


PROTECTION CAPS FOR IV-HP SERIES

Protective caps are always recommended to protect the couplings from damage or dirt inclusion, and increase the product life. This is particularly important in mobile applications where contamination can enter the coupling and compromise the function.





OVERALL DIMENSIONS CAPS FOR IV-HP

| Description | Coupling | Unit | A | B | C | D | E | F | G | H | Unit | Weight |
|-------------|----------|------------|------------|--------------|-------------|------------|------------|--------------|-------------|------------|----------|---------------|
| - | F-IV14HP | mm Inch | 28 1,10 | 20,5 0,81 | 98 3,86 | 24 0,94 | - - | - - | - - | - - | Kg lb | 0,045 0,10 |
| - | M-IV14HP | mm Inch | - - | - - | - - | - - | 28 1,10 | 28,5 1,12 | 98 3,86 | 24 0,94 | Kg lb | 0,040 0,09 |
| - | F-IV38HP | mm Inch | 35 1,38 | 23,5 0,93 | 110 4,33 | 24 0,94 | - - | - - | - - | - - | Kg lb | 0,070 0,15 |
| - | M-IV38HP | mm Inch | - - | - - | - - | - - | 35 1,38 | 36,6 1,44 | 110 4,33 | 24 0,94 | Kg lb | 0,095 0,21 |