

CURVA A 90° CON DADO GRAFFATO - CONO JIC 74° - ISO 8434-2 (SAE J514)

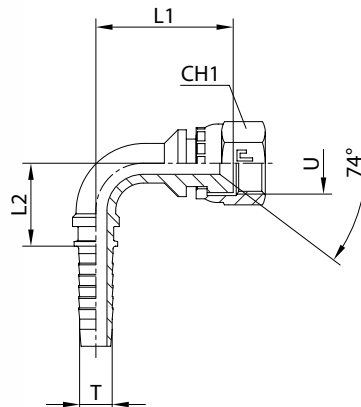
Filetto UNF/UN-2B

90° ELBOW CRIMPED-BACK NUT - JIC 74° CONE - ISO 8434-2 (SAE J514)

UNF/UN-2B thread

Codice/Code: 7019..

Tipo/Type: DKJ90



CODICE Code	Ø interno tubo T I.D. hose			U	L1	L2	CH1	PN WP [bar]
	DN	size	INCH					
701901	5	-3	3/16	7/16-20	25,5	22,5	14	415
701902	5	-3	3/16	1/2-20	25,5	22,5	17	415
701903	6	-4	1/4	7/16-20	25,5	22,5	14	450
701904	6	-4	1/4	1/2-20	25,5	22,5	17	450
701905	6	-4	1/4	9/16-18	26,5	22,5	19	350
701906	8	-5	5/16	9/16-18	31,5	27	19	350
701907	10	-6	3/8	9/16-18	35,5	31	19	350
701908	10	-6	3/8	3/4-16	39	31	24	350
701909	10	-6	3/8	7/8-14	40	31	27	350
701910	12	-8	1/2	3/4-16	40,5	38,5	24	350
701911	12	-8	1/2	7/8-14	41,5	38,5	27	350
701912	12	-8	1/2	1 1/16-12	46	38,5	32	350
701913	16	-10	5/8	7/8-14	44,5	43,5	27	350
701914	16	-10	5/8	1 1/16-12	49	43,5	32	350
701915	19	-12	3/4	1 1/16-12	58	50,5	32	350
701916	19	-12	3/4	1 3/16-12	62	50,5	36	290
701917	19	-12	3/4	1 5/16-12	62,5	50,5	41	290
701918	25	-16	1	1 5/16-12	63,5	70,5	41	280

NOTE: Desiderando ordinare il raccordo in acciaio inox, sostituire nel codice il 70.. iniziale con 71..

NOTE: If you wish to order a fitting in stainless steel, please change the first two digit from 70.. to 71..