



# HPMV-2

## ROZDZIELACZE MONOBLOKOWE

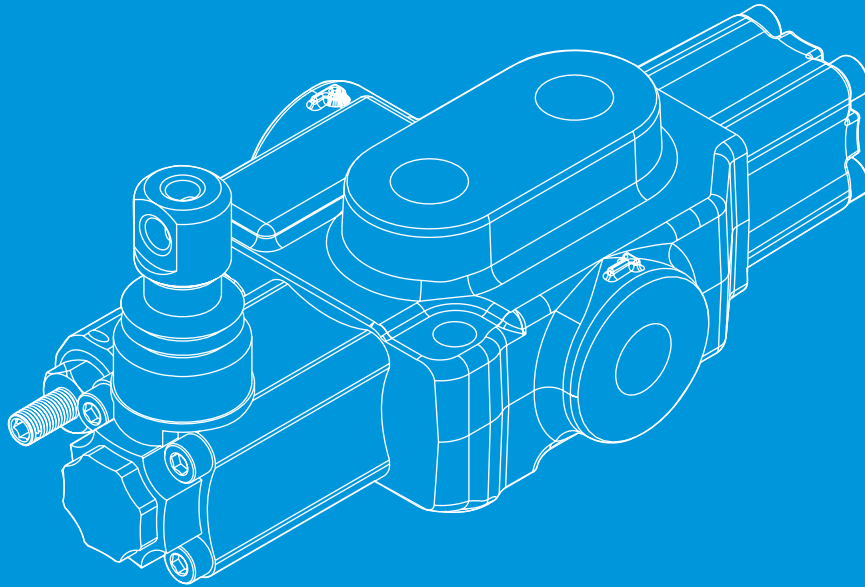
# HPMV-2

## Monoblock Directional Control Valves

---

Working condition	P.5
Ordering code	P.6
Dimensions	P.8
Performance data	P.9
Inlet relief options	P.10
Spool options	P.11
A side options	P.14
B side spool positioners	P.16
Inlet options	P.20





*Innovative Designs*  
*Professional Quality*  
*Customer Satisfaction !*

ONLY ONE SECTION AVAILABLE

---

## **HPMV-2** **Monoblock Directional Control Valves**



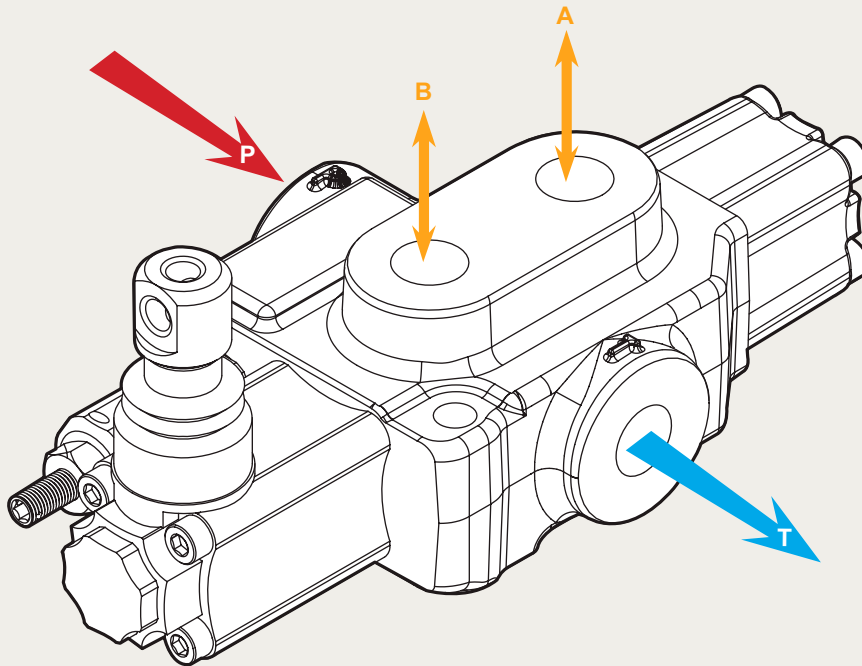
# MobiTec

---



# HPMV-2

## Monoblock Directional Control Valves



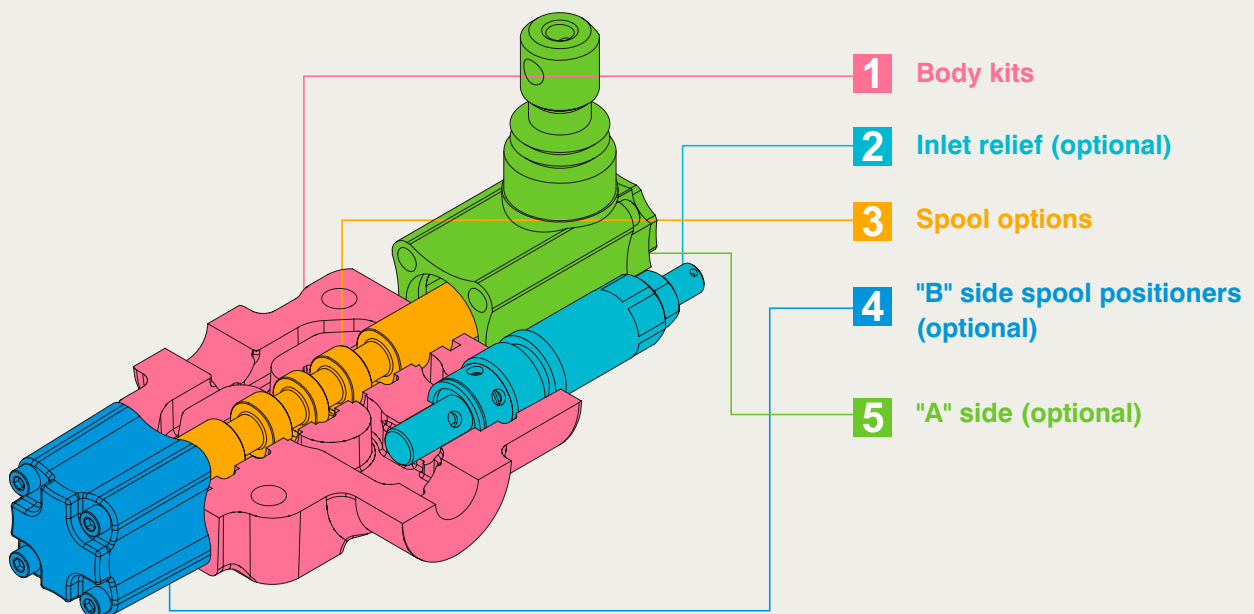
### Specifications

Nominal flow rate		45 l/min	12 US gpm
Operating pressure (maximum)		250 bar	3600 psi
Back pressure (maximum)	on outlet port T	25 bar	360 psi
Fluid temperature range	with NBR(BUNA-N) seals	from - 20° to 80°C	from - 4° to 176° F
	with FPM(VITON) seal	from - 20° to 100°C	from - 4° to 212° F
Viscosity	operating range	from 15 to 75 mm <sup>2</sup> /s	from 15 to 75 cst
	min	12 mm <sup>2</sup> /s	12 cst
	max.	400 mm <sup>2</sup> /s	400 cst
Ambient temperature range		from - 40° to 60°C	from - 40° to 140° F

• All specifications, dimensions and design characteristics shown in this catalogue are subject to change without notice.

## HPMV-2 Monoblock Directional Control Valves

HPMV-2 / **1S** - **3** / **18L** / **G-3** / **M1**  
1 2 3 4 5



- 1** Body kits
- 2** Inlet relief (optional)
- 3** Spool options
- 4** "B" side spool positioners (optional)
- 5** "A" side (optional)

<b>1: Body kits</b>	WITHOUT SERVICE PORT VALVES PREARRANGEMENT (INCLUDE BODY, SEALS, RINGS)
TYPE	DESCRIPTION
1 - S	1 section

<b>2: Inlet Relief (optional)</b>			
TYPE	CODE	DESCRIPTION	PAGE
DG-2	YLMB32002	Range 40 to 80 bar / 580 to 1150 psi, standard setting 80 bar / 1150 psi	P. 10
DG-3	YLMB32003	Range 63 to 200 bar / 900 to 2900 psi, standard setting 120 bar / 1750 psi	P. 10
DG-4	YLMB32004	Range 160 to 315 bar / 2300 to 4600 psi, standard setting 220 bar / 3200 psi	P. 10
SV	YLMB32100	Relief valve blanking plug	P. 10



# HPMV-2

## Monoblock Directional Control Valves

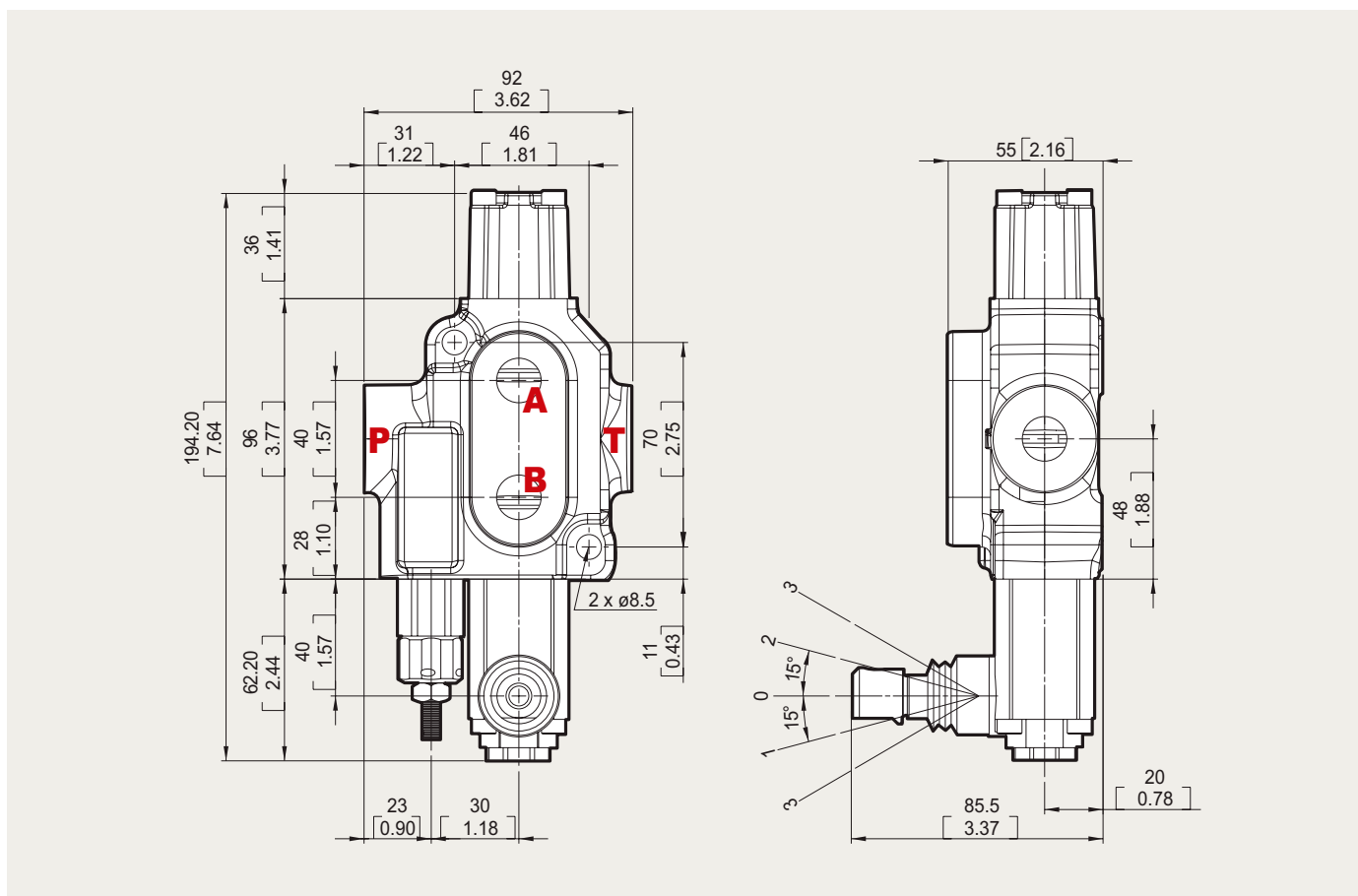
3: Spool Options			
TYPE	CODE	DESCRIPTION	PAGE
1	YLMB23001	Double acting, 3 positions, with A, B closed in neutral position	P. 11
2	YLMB23002	Double acting, 3 positions, with A, B open to Tank in neutral position	P. 11
3	YLMB23003	Single acting on A closed in neutral position, 3 positions, B plugged	P. 12
4	YLMB23003	Single acting on B closed in neutral position, 3 positions, A plugged	P. 12
9	YLMB23009	Double acting, 3 positions, with P, T, A, B closed in neutral position (Closed center)	P. 13
10	YLMB23010	Double acting, 3 positions, with A, B open to Tank and P, T closed in neutral position (Closed center)	P. 13

4: B Side Spool Positioners			
TYPE	CODE	DESCRIPTION	PAGE
6-1	YLMB24061	Detent in pos. 1-0-2, without spring centered	P. 16
6-2	YLMB24062	2 positions, detent in pos. 0-2, without spring centered	P. 16
6-3	YLMB24063	2 positions, detent in pos. 1-0, without spring centered	P. 16
8D2	YLMB24200	With spring return to neutral position and pin with M8 male thread for dual control	P. 16
8EP3	YLMB24300	ON/OFF Electro-Pneumatic actuator	P. 17
8P	YLMB24080	ON/OFF Pneumatic actuator	P. 17
8MG1 (NO)	YLMB24801	Microswitch kit operated in pos. 1 (Normally Open)	P. 18
8MG2 (NO)	YLMB24802	Microswitch kit operated in pos. 2 (Normally Open)	P. 18
8MG3 (NO)	YLMB24803	Microswitch kit operated in pos. 1&2 (Normally Open)	P. 18
MG (NO)	YLMB24804	Microswitch with NO terminal	P. 18
8MG1 (NC)	YLMB248011	Microswitch kit operated in pos. 1 (Normally Closed)	P. 18
8MG2(NC)	YLMB248021	Microswitch kit operated in pos. 2 (Normally Closed)	P. 18
8MG3 (NC)	YLMB248031	Microswitch kit operated in pos. 1&2 (Normally Closed)	P. 18
MG (NC)	YLMB248041	Microswitch with NC terminal	P. 18
8	YLMB24008	With spring return to neutral position	P. 19
8-1	YLMB24081	2 positions, with spring centered from pos. 1	P. 19
8-2	YLMB24082	2 positions, with spring centered from pos. 2	P. 19
9-1	YLMB24091	Detent in pos. 1, 2 with spring centered	P. 19
9-2	YLMB24092	Detent in pos. 2 with spring centered	P. 19
9-3	YLMB24093	Detent in pos. 1 with spring centered	P. 19

5: A Side (optional)			
TYPE	CODE	DESCRIPTION	PAGE
L	YLMB45000	Standard lever box	P. 14
SLP	YLMB45001	Without lever box,with dust-proof plate	P. 14
TQ	YLMB45003	Flexible cable connection	P. 15

# HPMV-2 Dimensions

## Monoblock Directional Control Valves



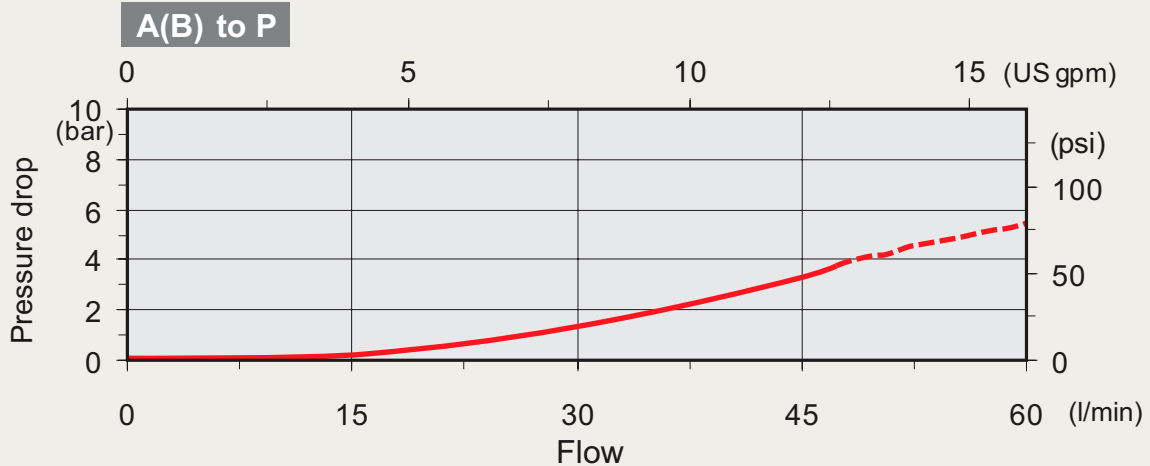
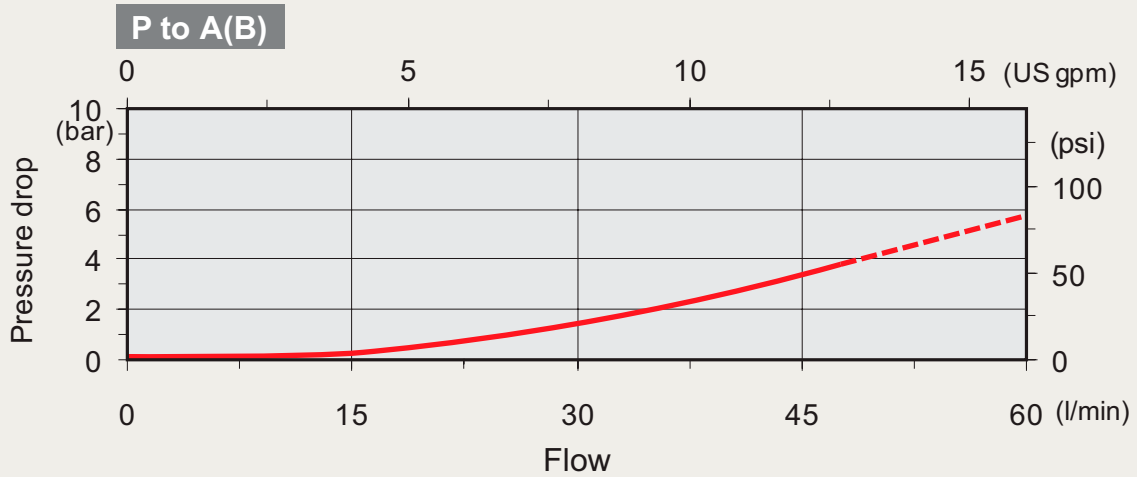
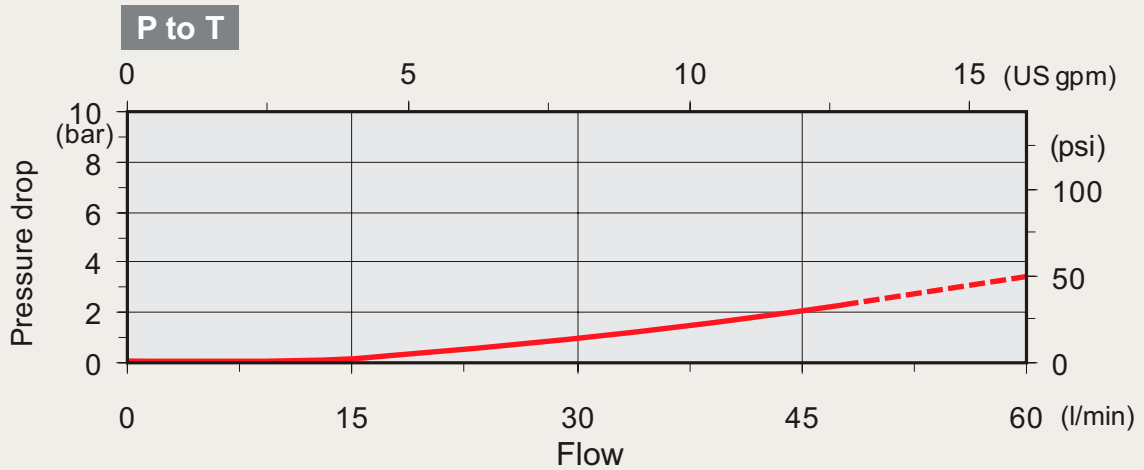
### Standard threads

Ports	Inlet P	A and B	Outlet T
BSP	G3/8	G3/8	G3/8
UN-UNF	3/4-16 UNF-2B (SAE 8)	3/4-16 UNF-2B (SAE 8)	3/4-16 UNF-2B (SAE 8)
METRIC	M18x1.5	M18x1.5	M18x1.5

• G-1/2 : G4    G-3/8 : G3    G-3/4 : G6  
 • SAE 8: E8    SAE 10: E10    SAE 12: E12    SAE 16: E16



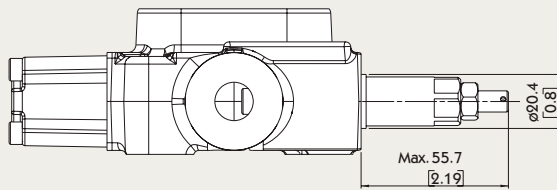
# HPMV-2 Performance curve chart Monoblock Directional Control Valves



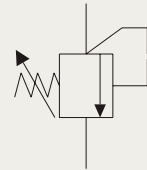


# HPMV-2 Inlet Relief (Optional) Monoblock Directional Control Valves

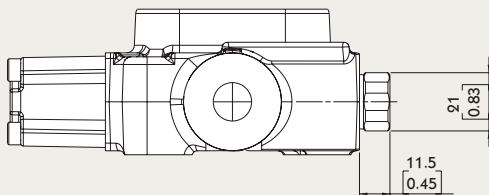
## Type DG



**Direct pressure relief valve:**



## Type SV



**Relief valve blanking plug:**

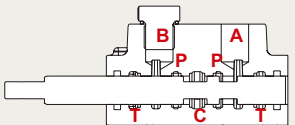
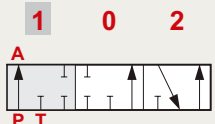
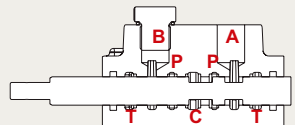
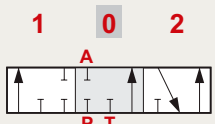
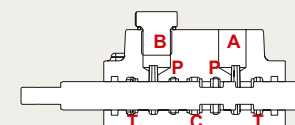
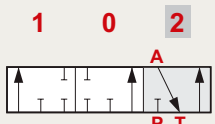
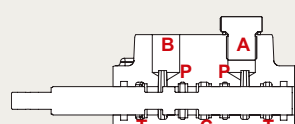
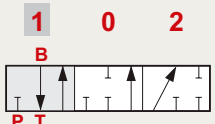
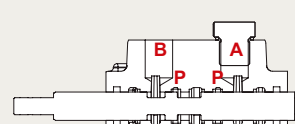
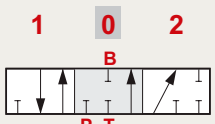
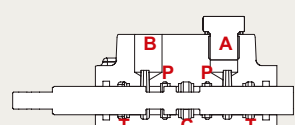
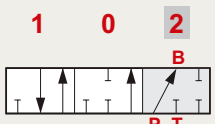




# HPMV-2 Spool Options Monoblock Directional Control Valves

TYPE 1		
	<p><b>P</b> → <b>A</b></p> <p><b>B</b> → <b>T</b></p> <p><b>C closed</b></p>	<p>1 0 2</p>
	<p><b>P &amp; T &amp; A &amp; B closed</b></p> <p><b>C open</b></p>	<p>1 0 2</p>
	<p><b>P</b> → <b>B</b></p> <p><b>A</b> → <b>T</b></p> <p><b>C closed</b></p>	<p>1 0 2</p>
TYPE 2		
	<p><b>P</b> → <b>A</b></p> <p><b>B</b> → <b>T</b></p> <p><b>C closed</b></p>	<p>1 0 2</p>
	<p><b>A &amp; B</b> → <b>T</b></p> <p><b>C open</b></p>	<p>1 0 2</p>
	<p><b>P</b> → <b>B</b></p> <p><b>A</b> → <b>T</b></p> <p><b>C closed</b></p>	<p>1 0 2</p>

## HPMV-2 Spool Options Monoblock Directional Control Valves

TYPE 3		
	<p>P → A C closed</p>	 <p>"B" port plugged</p>
	<p>P &amp; A &amp; T closed C open</p>	 <p>"B" port plugged</p>
	<p>A → T C open</p>	 <p>"B" port plugged</p>
TYPE 4		
	<p>B → T P closed C open</p>	 <p>"A" port plugged</p>
	<p>P &amp; B &amp; T closed C open</p>	 <p>"A" port plugged</p>
	<p>P → B C closed</p>	 <p>"A" port plugged</p>

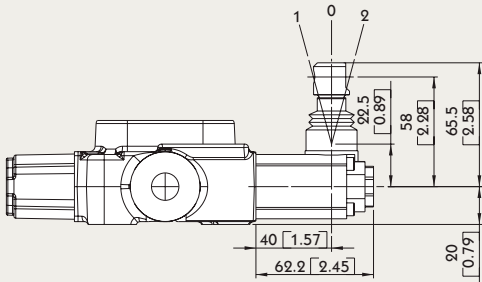


# HPMV-2 Spool Options Monoblock Directional Control Valves

TYPE 9		
	<p>P → A</p> <p>B → T</p> <p>C closed</p>	
	<p>P &amp; A &amp; B &amp; T closed</p> <p>C closed</p>	
	<p>P → B</p> <p>A → T</p> <p>C closed</p>	
TYPE 10		
	<p>P → A</p> <p>B → T</p> <p>C closed</p>	
	<p>A &amp; B → T</p> <p>P &amp; C closed</p>	
	<p>P → B</p> <p>A → T</p> <p>C closed</p>	

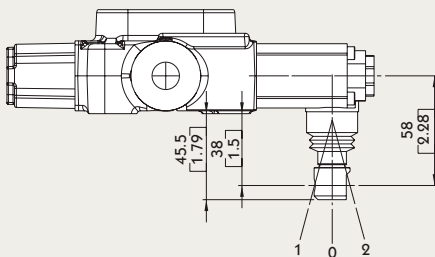
## HPMV-2 A Side Monoblock Directional Control Valves

### Type L



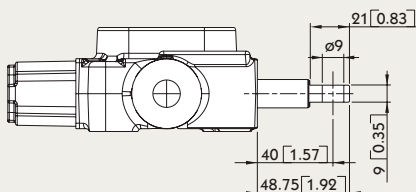
**Type L:**  
STANDART LEVER KIT

### Type R



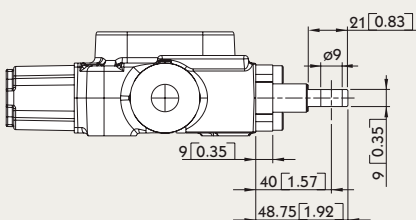
**Type R:**  
STANDART LEVER KIT  
(ROTATED 180 DEGREE)

### Type SL



**Type SL:**  
WITHOUT ANY COVER

### Type SLP

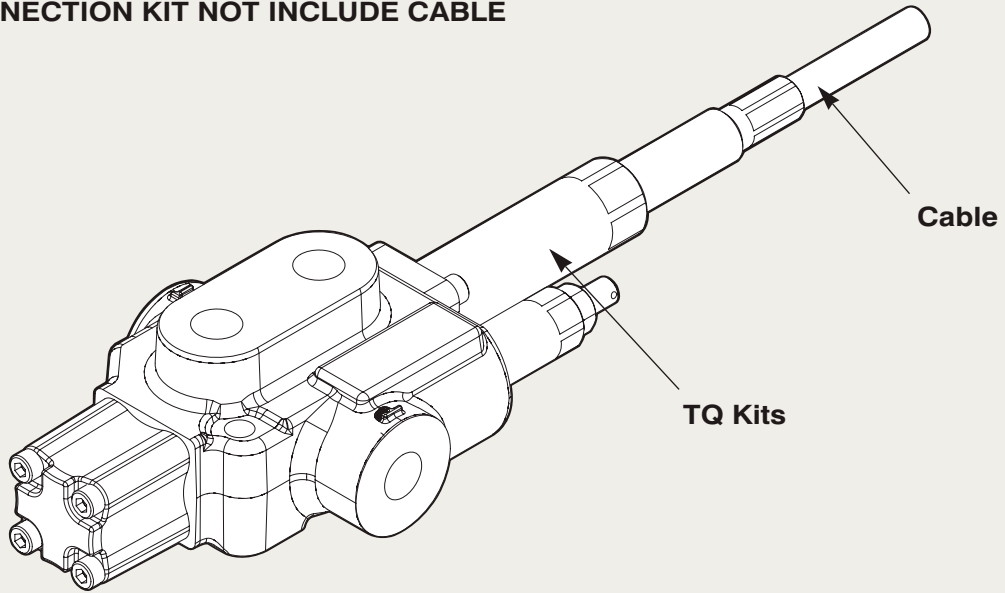


**Type SLP:**  
WITH DUST-PROOF PLATE

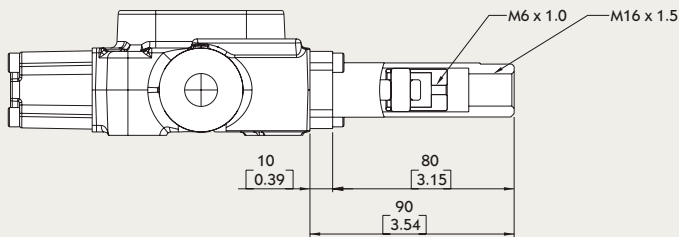


# HPMV-2 A Side Monoblock Directional Control Valves

**Note : CONNECTION KIT NOT INCLUDE CABLE**



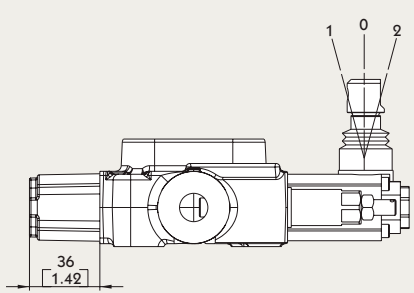
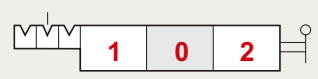


## Type TQ

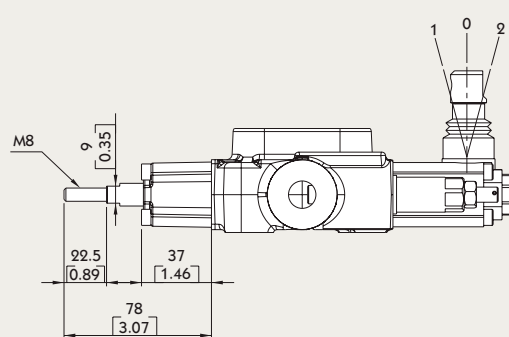



**TQ Kit:**



# HPMV-2 B Side Monoblock Directional Control Valves

Type 6		
		<p><b>6-1 Kit:</b> DETENT IN POS. 1-0-2, WITHOUT SPRING CENTERED</p>
		<p><b>6-2 Kit:</b> 2 POSITIONS, DETENT IN POS. 0-2, WITHOUT SPRING CENTERED</p>
		<p><b>6-3 Kit:</b> 2 POSITIONS, DETENT IN POS. 1-0, WITHOUT SPRING CENTERED</p>

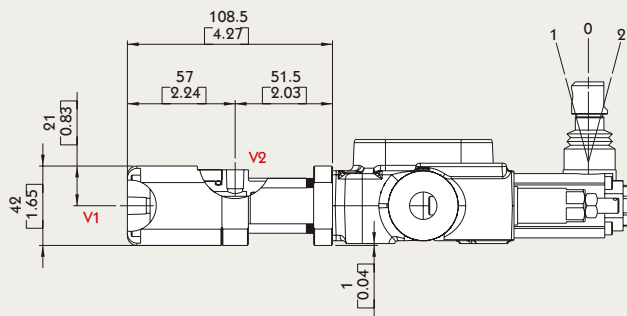
Type 8D2		
		<p><b>8D2 Kit:</b> WITH SPRING RETURN TO NEUTRAL POSITION AND PIN WITH M8 MALE THREAD FOR DUAL CONTROL</p>



# HPMV-2 B Side Monoblock Directional Control Valves

## Type 8P

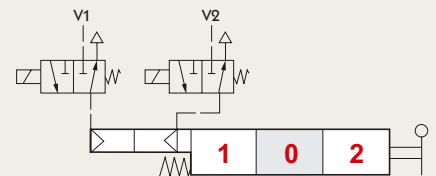
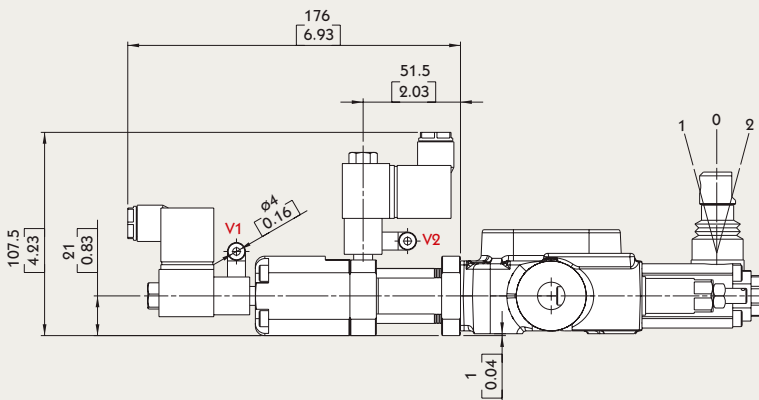
V1 & V2: NPT 1/8 - 27



**Operating feature :**

PILOT PRESSURE (MIN.): 5.5 BAR / 80 PSI  
PILOT PRESSURE (MAX.): 10 BAR / 145 PSI

## Type 8EP3



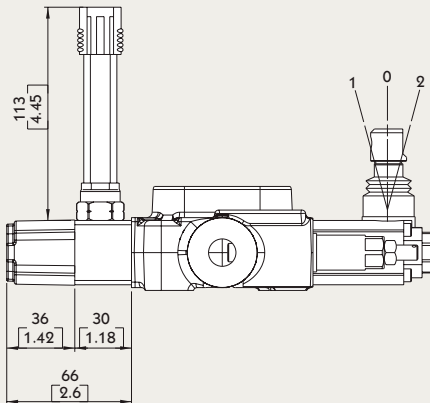
**Solenoid operating features :**

NOMINAL VOLTAGE: 24VDC  
NOMINAL VOLTAGE TOLERANCE: ±10%  
POWER RATING: 5W



## HPMV-2 B Side Monoblock Directional Control Valves

### Type 8MG



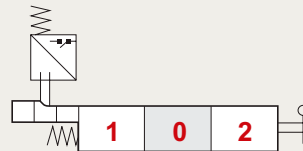
#### MICROSWITCH

#### Operating features :

MECHANICAL LITE: • 5X10<sup>5</sup> OPERATIONS

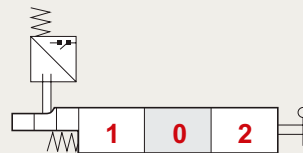
ELECTRICAL LITE (RESISTIVE LOAD):

- 10<sup>5</sup> OPERATIONS - 7A / 13.5 VDC
- 5x10<sup>4</sup> OPERATIONS - 10A / 12 VDC
- 5x10<sup>4</sup> OPERATIONS - 3A / 28 VDC



#### 8MG1 Kit:

MICROSWITCH WITH MALE/FEMALE CONNECTOR, OPERATED IN POS. 1



#### 8MG2 Kit:

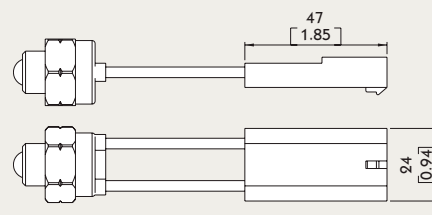
MICROSWITCH WITH MALE/FEMALE CONNECTOR, OPERATED IN POS. 2



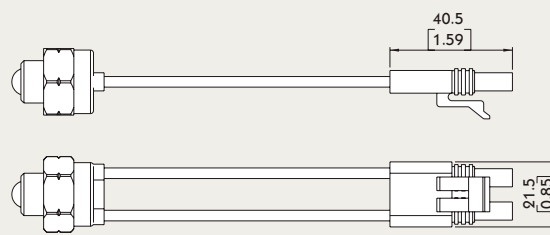
#### 8MG3 Kit:

MICROSWITCH WITH MALE/FEMALE CONNECTOR, OPERATED IN POS. 1 AND POS. 2

#### With NO contact (female connector with male end)

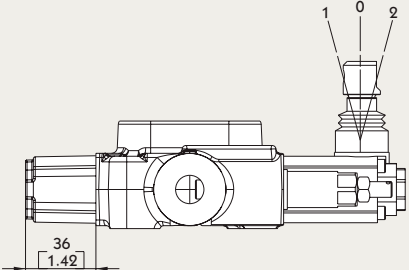





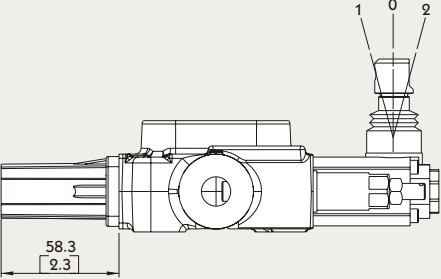

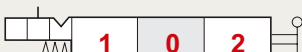

#### With NC contact (male connector with female end)





# HPMV-2 B Side Monoblock Directional Control Valves

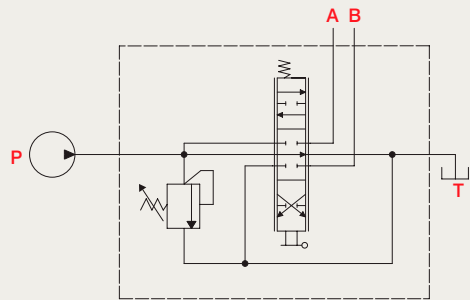
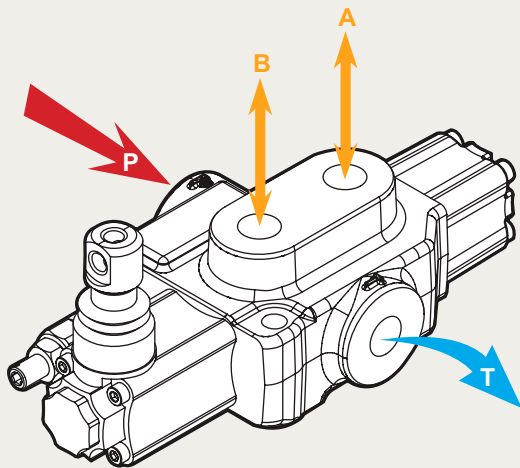
Type 8		
		<p><b>8 Kit:</b> SPRING RETURN TO NEUTRAL POSITION.</p>
		<p><b>8-1 Kit:</b> SPRING RETURN TO NEUTRAL POSITION. (2 POSITIONS)</p>
		<p><b>8-2 Kit:</b> SPRING RETURN TO NEUTRAL POSITION. (2 POSITIONS)</p>

Type 9		
		<p><b>9-1 Kit:</b> DETENT IN POS. 1, 2 WITH SPRING CENTERED</p>
		<p><b>9-2 Kit:</b> DETENT IN POS. 2 WITH SPRING CENTERED</p>
		<p><b>9-3 Kit:</b> DETENT IN POS. 1 WITH SPRING CENTERED</p>

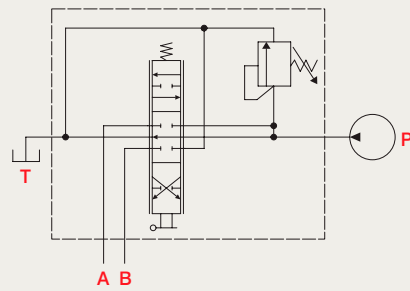
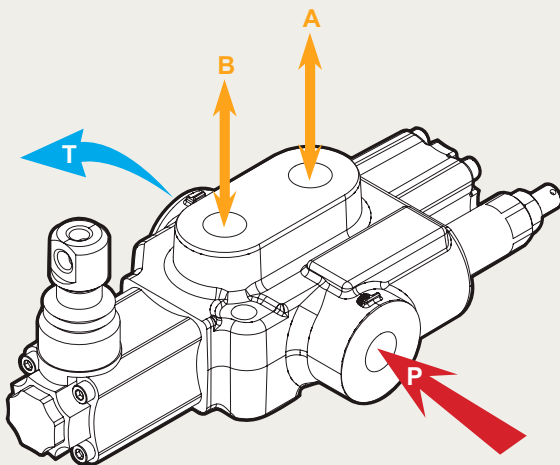
# HPMV-2 Inlet Monoblock Directional Control Valves

A simmetrical body allows the reverse assembly of spool and relative control kit and lever

( Left inlet)



( Right inlet)



## CENTRALA ELBLĄG

Ul. Rawska 19B  
82-300 Elbląg

tel. /+48/ 55 625 51 00

fax /+48/ 55 625 51 01

### Dział Handlowy

tel. /+48/ 55 625 51 51

elblag@hydropress.pl



[www.hydropress.pl](http://www.hydropress.pl)

### ODDZIAŁ GDAŃSK

tel. /+48/ 55 625 51 21

fax /+48/ 55 625 51 22

### ODDZIAŁ RUMIA

tel. /+48/ 58 679 34 15

fax /+48/ 55 625 51 25

### ODDZIAŁ TYCHY

tel. /+48/ 32 787 52 88

fax /+48/ 55 625 51 38

### ODDZIAŁ OLSZTYN

tel. /+48/ 89 532 01 05

fax /+48/ 89 715 21 42

### ODDZIAŁ WARSZAWA

tel. /+48/ 22 468 86 97

fax /+48/ 55 625 51 32

### BIURO HANDLOWE WROCŁAW

tel. /+48/ 782 838 000

fax /+48/ 55 625 51 35

### BIURO HANDLOWE KIELCE

tel. /+48/ 885 995 501

fax /+48/ 55 625 51 01

### BIURO HANDLOWE KRAKÓW

tel. /+48/ 885 995 019

fax /+48/ 55 625 51 01

### BIURO HANDLOWE OPOLE

tel. /+48/ 885 995 011

fax /+48/ 55 625 51 01

### BIURO HANDLOWE BYDGOSZCZ

tel. /+48/ 790 222 771

fax /+48/ 55 625 51 01