



# HPMV-5

## ROZDZIELACZE MONOBLOKOWE

---

# HPMV-5

## Monoblock Directional Control Valves

---

Working condition ..... P.5

Ordering code ..... P.6

Dimensions ..... P.9

Performance data ..... P.10

Inlet relief options ..... P.11

Spool options ..... P.12

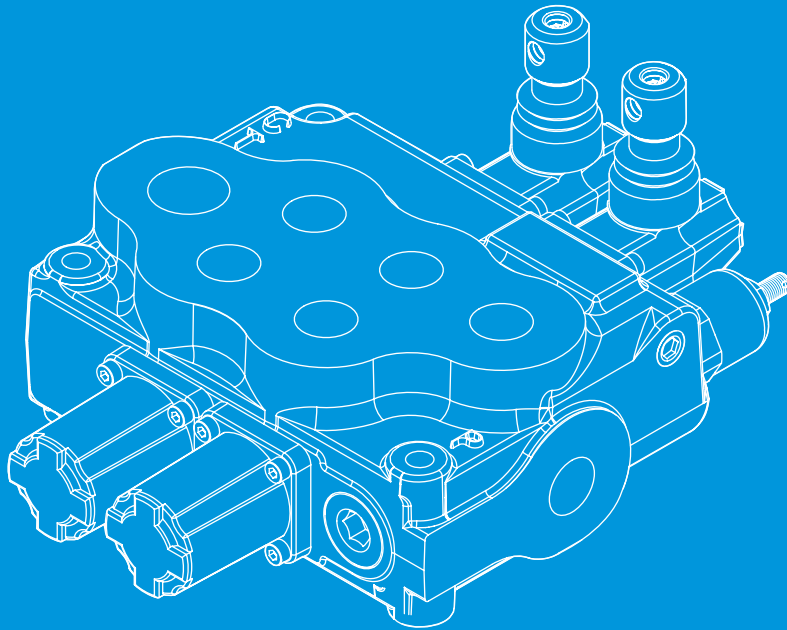
A side options ..... P.18

B side spool positioners ..... P.21

Other options ..... P.27

Outlet options ..... P.31





*Innovative Designs  
Professional Quality  
Customer Satisfaction !*

AVAILABLE SECTIONS FROM

1 TO 6

---

## **HPMV-5 Monoblock Directional Control Valves**



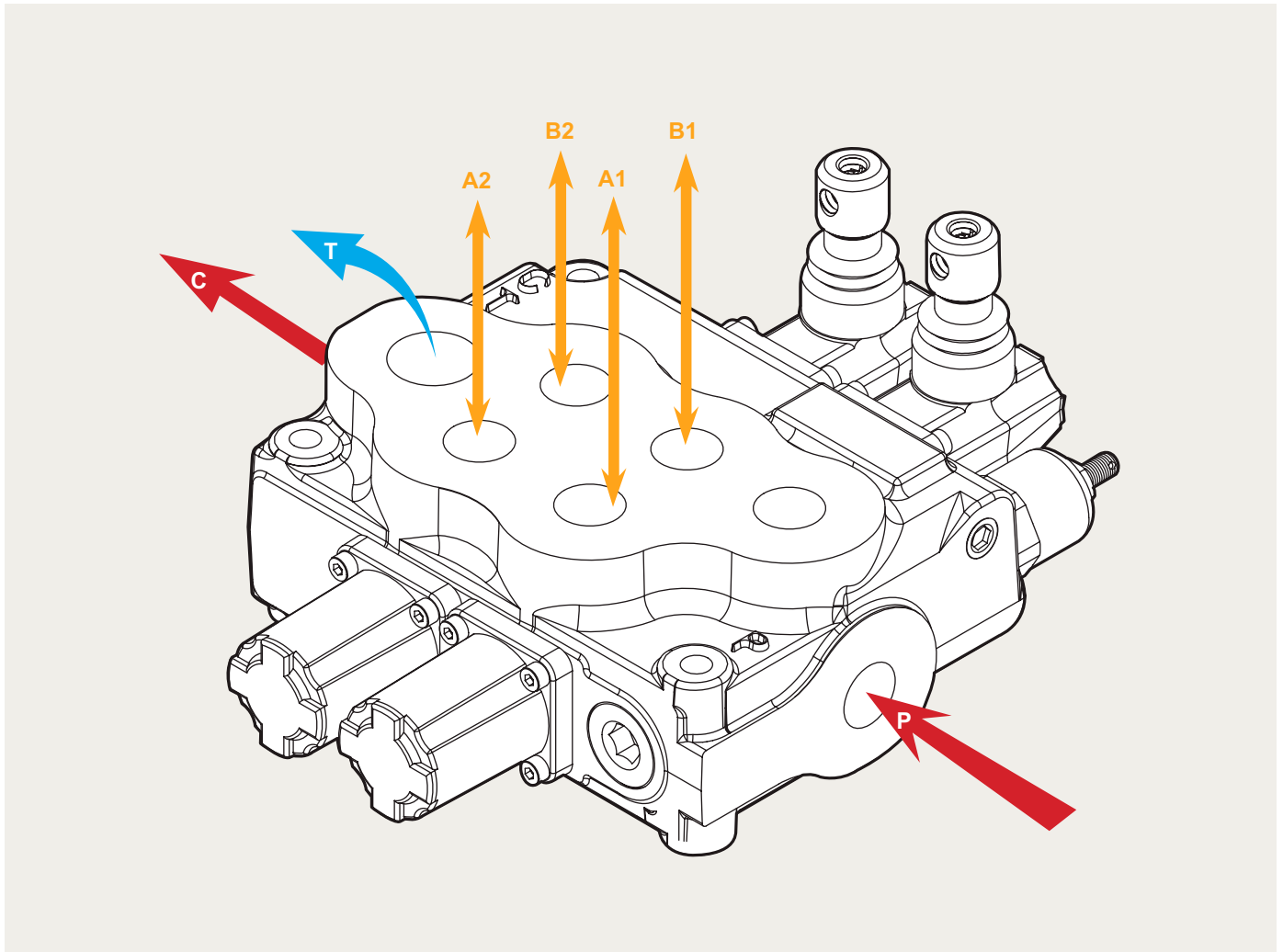
# MobiTec

---



# HPMV-5

## Monoblock Directional Control Valves



### Specifications

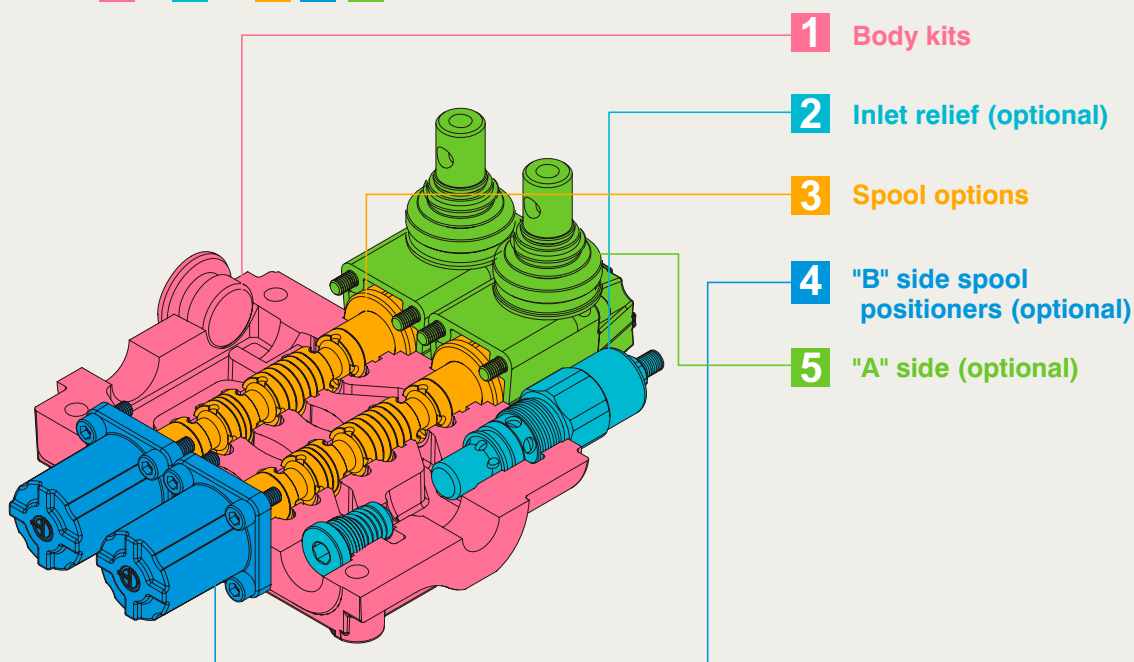
Nominal flow rate		80 l/min	21 US gpm
Operating pressure (maximum)		315 bar	4600 psi
Back pressure (maximum)	on outlet port T	25 bar	360 psi
Fluid temperature range	with NBR (BUNA-N) seals	from - 20° to 80°C	from - 4° to 176° F
	with FPM (VITON) seal	from - 20° to 100°C	from - 4° to 212° F
Viscosity	operating range	from 15 to 75 mm <sup>2</sup> /s	from 15 to 75 cst
	min	12 mm <sup>2</sup> /s	12 cst
	max.	400 mm <sup>2</sup> /s	400 cst
Ambient temperature range		from - 40° to 60°C	from - 40° to 140° F

• All specifications, dimensions and design characteristics shown in this catalogue are subject to change without notice.

## HPMV-5 Monoblock Directional Control Valves

HPMV-5 / **2S** - **3** / **1 8 L** / **G-4-6** / **M3**

**1** **2** **3** **4** **5**



**1: Body kits** WITHOUT SERVICE PORT VALVES PREARRANGEMENT (INCLUDE BODY, SEALS, RINGS AND LOAD CHECK VALVE.)

TYPE	DESCRIPTION
1 - S	1 section
2 - S	2 sections
3 - S	3 sections
4 - S	4 sections
5 - S	5 sections
6 - S	6 sections

**2: Inlet Relief (optional)**

TYPE	CODE	DESCRIPTION	PAGE
XAG	YLX21000	Pilot operated pressure relief valve Range 25 to 315 bar/ 360 to 4600 psi, standard setting 125 bar/ 1800 psi	P. 11
AG-2	YLMB52002	Direct pressure relief valve Range 80 to 160 bar/ 1150 to 2300 psi, standard setting 125 bar/ 1800 psi	P. 11
AG-3	YLMB52003	Direct pressure relief valve Range 125 to 250 bar/ 1800 to 3600 psi, standard setting 175 bar/ 2500 psi	P. 11
AG-4	YLMB52004	Direct pressure relief valve Range 200 to 315 bar/ 2900 to 4600 psi, standard setting 220 bar/ 3200 psi	P. 11
SV	YLMB52100	Relief valve blanking plug	P. 11



# HPMV-5

## Monoblock Directional Control Valves

3: Spool Options			
TYPE	CODE	DESCRIPTION	PAGE
1	YLMB53001	Double acting, 3 positions, with A, B closed in neutral position	P. 12
2	YLMB53002	Double acting, 3 positions, with A, B open to Tank in neutral position	P. 12
3	YLMB53003	Single acting on A closed in neutral position, 3 positions, B plugged	P. 13
4	YLMB53004	Single acting on B closed in neutral position, 3 positions, A plugged	P. 13
5	YLMB53005	Double acting, 3 positions, with B open to Tank in neutral position	P. 14
6	YLMB53006	Double acting, 3 positions, with A open to Tank in neutral position	P. 14
9	YLMB53009	Double acting, 3 positions, with P, T, A, B closed in neutral position (Closed center)	P. 15
10	YLMB53010	Double acting, 3 positions, with A, B open to Tank and P, T closed in neutral position (Closed center)	P. 15
5DY	YLMB53052	Double acting, 4 positions, floating circuit in 4th position with A,B open to Tank by pulling the lever	P. 16
5PY	YLMB53051	Double acting, 4 positions, floating circuit in 4th position with A, B open to Tank by pushing the lever	P. 17

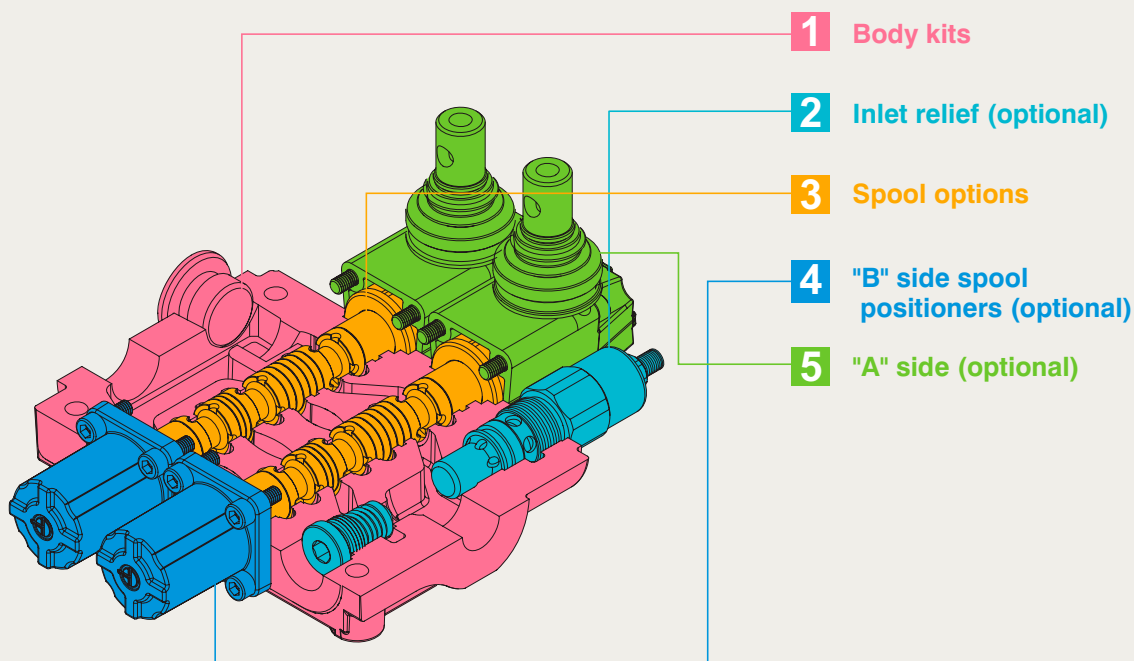
4: B Side Spool Positioners			
TYPE	CODE	DESCRIPTION	PAGE
6-1	YLMB54061	Detent in pos. 1-0-2, without spring centered	P. 21
6-2	YLMB54062	2 positions, detent in pos. 0-2, without spring centered	P. 21
6-3	YLMB54063	2 positions, detent in pos. 1-0, without spring centered	P. 21
8D2	YLMB54082	With spring return to neutral position and pin with M8 male thread for dual control	P. 21
8EP3	YLMB54300	ON/OFF Electro-Pneumatic actuator	P. 22
8P	YLMB54080	ON/OFF Pneumatic actuator	P. 22
8MG1 (NO)	YLMB54801	Microswitch kit operated in pos. 1 (Normally Open)	P. 25
8MG2 (NO)	YLMB54802	Microswitch kit operated in pos. 2 (Normally Open)	P. 25
8MG3 (NO)	YLMB54803	Microswitch kit operated in pos. 1&2 (Normally Open)	P. 25
MG (NO)	YLMB54804	Microswitch with NO terminal	P. 25
8MG1 (NC)	YLMB548011	Microswitch kit operated in pos. 1 (Normally Closed)	P. 25
8MG2 (NC)	YLMB548021	Microswitch kit operated in pos. 2 (Normally Closed)	P. 25
8MG3 (NC)	YLMB548031	Microswitch kit operated in pos. 1&2 (Normally Closed)	P. 25
MG (NC)	YLMB548041	Microswitch with NC terminal	P. 25
8	YLMB54008	With spring return to neutral position	P. 26
8-1	YLMB54810	2 positions, with spring centered from pos. 1	P. 26
8-2	YLMB54820	2 positions, with spring centered from pos. 2	P. 26
9-1	YLMB54091	Detent in pos. 1, 2 with spring centered	P. 26
9-2	YLMB54092	Detent in pos. 2 with spring centered	P. 26
9-3	YLMB54093	Detent in pos. 1 with spring centered	P. 26
8ED3+RV-KE1R3	YLMB54201	1S: ON/OFF Electro-Hydraulic control kit with pilot and drain line+backpressure valve (12/24 VDC)	P. 23
8ED3+RV-KE2R3	YLMB54202	2S: ON/OFF Electro-Hydraulic control kit with pilot and drain line+backpressure valve (12/24 VDC)	P. 23
8ED3+RV-KE3R3	YLMB54203	3S: ON/OFF Electro-Hydraulic control kit with pilot and drain line+backpressure valve (12/24 VDC)	P. 23
8ED3+RV-KE4R3	YLMB54204	4S: ON/OFF Electro-Hydraulic control kit with pilot and drain line+backpressure valve (12/24 VDC)	P. 23
8ED3+RV-KE5R3	YLMB54205	5S: ON/OFF Electro-Hydraulic control kit with pilot and drain line+backpressure valve (12/24 VDC)	P. 23
8ED3+RV-KE6R3	YLMB54206	6S: ON/OFF Electro-Hydraulic control kit with pilot and drain line+backpressure valve (12/24 VDC)	P. 23

# HPMV-5

## Monoblock Directional Control Valves

HPMV-5 / **2S** - **3** / **1 8 L** / G-4-6 / M3

1  
 2  
 3 4 5



### 4: B Side Spool Positioners

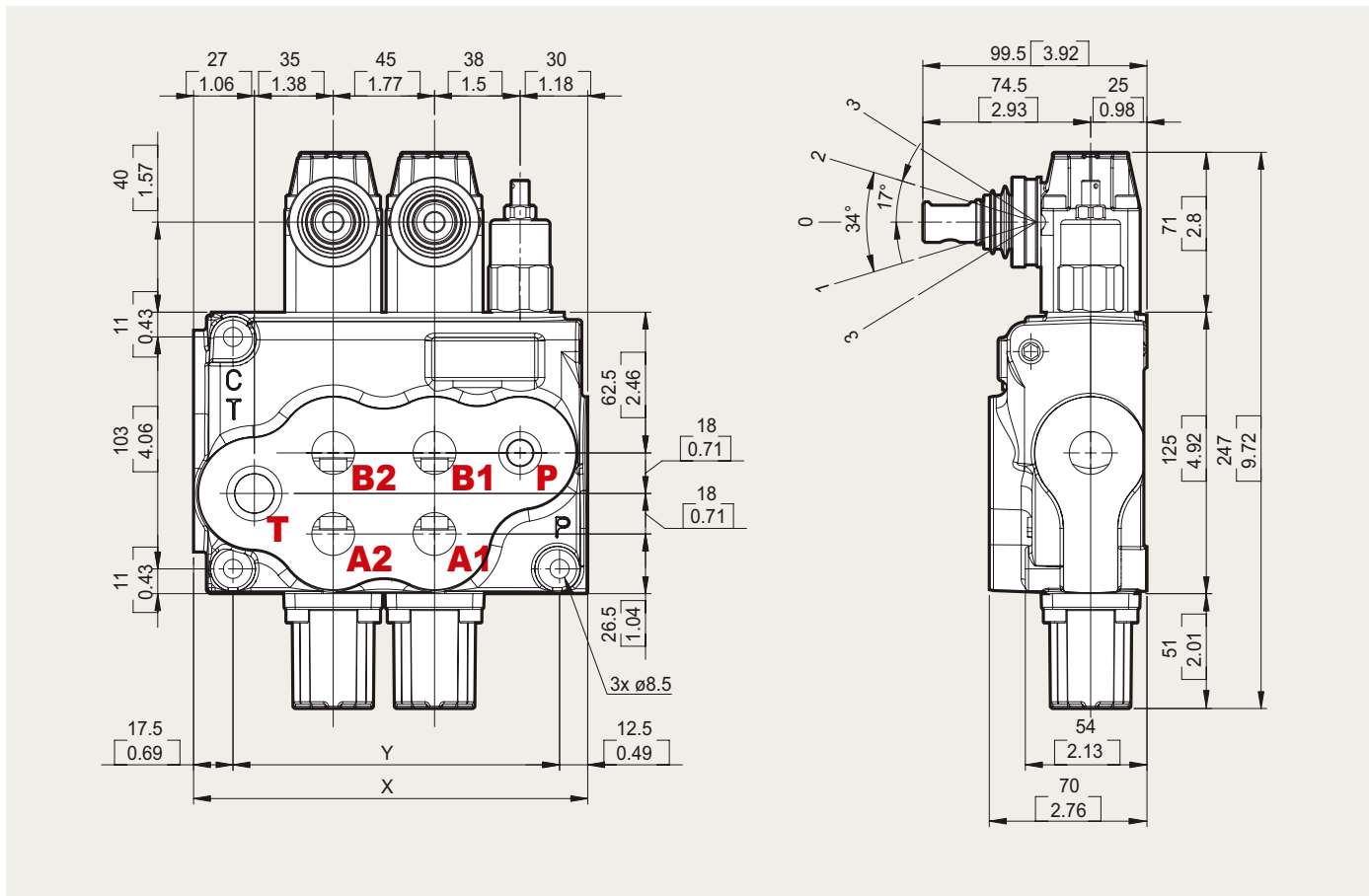
TYPE	CODE	DESCRIPTION	PAGE
8ER3+KE1S0	YLMB54401	1S: ON/OFF Electro-hydraulic control kit with collector kit for external pilot and drain	P. 24
8ER3+KE2S0	YLMB54402	2S: ON/OFF Electro-hydraulic control kit with collector kit for external pilot and drain	P. 24
8ER3+KE3S0	YLMB54403	3S: ON/OFF Electro-hydraulic control kit with collector kit for external pilot and drain	P. 24
8ER3+KE4S0	YLMB54404	4S: ON/OFF Electro-hydraulic control kit with collector kit for external pilot and drain	P. 24
8ER3+KE5S0	YLMB54405	5S: ON/OFF Electro-hydraulic control kit with collector kit for external pilot and drain	P. 24
8ER3+KE6S0	YLMB54406	6S: ON/OFF Electro-hydraulic control kit with collector kit for external pilot and drain	P. 24

### 5: A Side (optional)

TYPE	CODE	DESCRIPTION	PAGE
L	YLMB55000	Standard lever box	P. 18
SLP	YLMB55001	Without lever box, with dust-proof plate	P. 18
LCB	YLMB55002	Joystick lever for 2 section operation	P. 19
TQ	YLMB55003	Flexible cable connection	P. 20

# HPMV-5 Dimensions

## Monoblock Directional Control Valves



### Standard threads

Ports	Inlet P	A and B	Outlet T and carry-over C
BSP	G1/2	G1/2	G3/4
UN-UNF	1" 1/16-12 UN (SAE 12)	7/8-14 UNF (SAE 10)	1" 1/16-12 UN (SAE 12)
METRIC	M18x1.5	M18x1.5	M22x1.5

• G-3/8 : G3    G-1/2 : G4    G-3/4 : G6    G-1 : G8    G-1 1/4 : G10  
 • SAE 8: E8    SAE 10: E10    SAE 12: E12    SAE 16: E16    SAE 20: E20

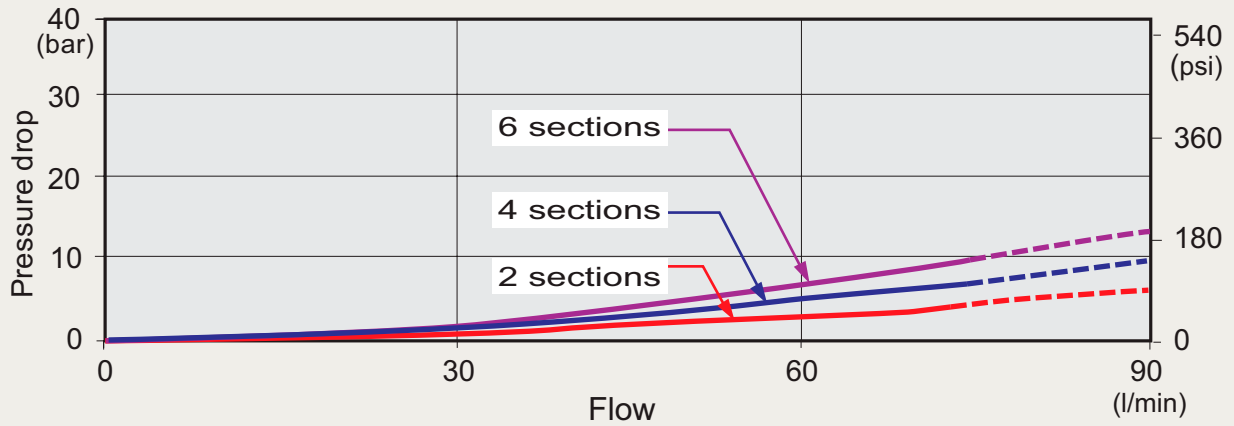
### Standard dimensions

TYPE	X		Y	
	mm	in	mm	in
MB5 /1S	130	5.12	100	3.94
MB5 /2S	174.5	6.87	145	5.71
MB5 /3S	219.5	8.64	190	7.48
MB5 /4S	264.5	10.41	235	9.25
MB5 /5S	309.5	12.19	280	11.02
MB5 /6S	354.5	13.96	325	12.80

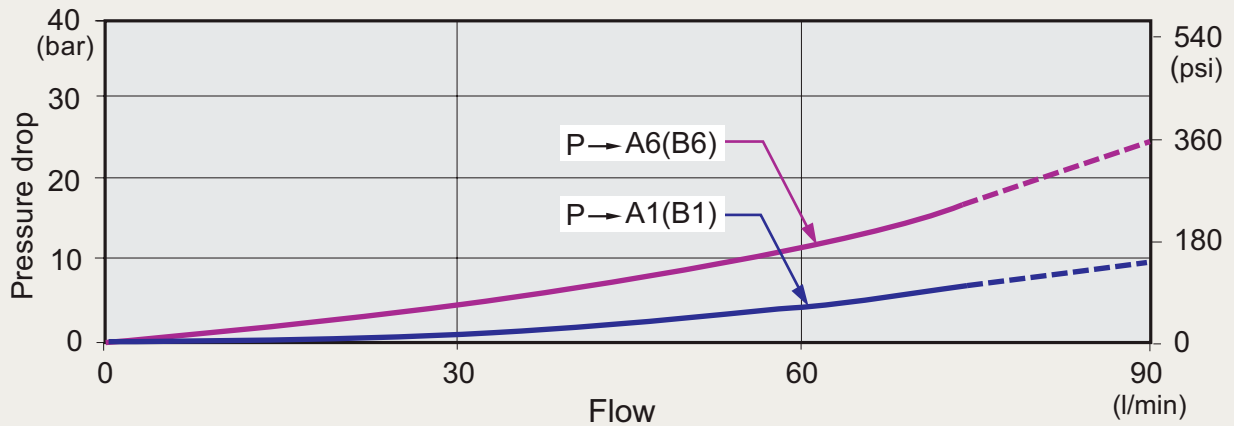


# HPMV-5 Performance curve chart Monoblock Directional Control Valves

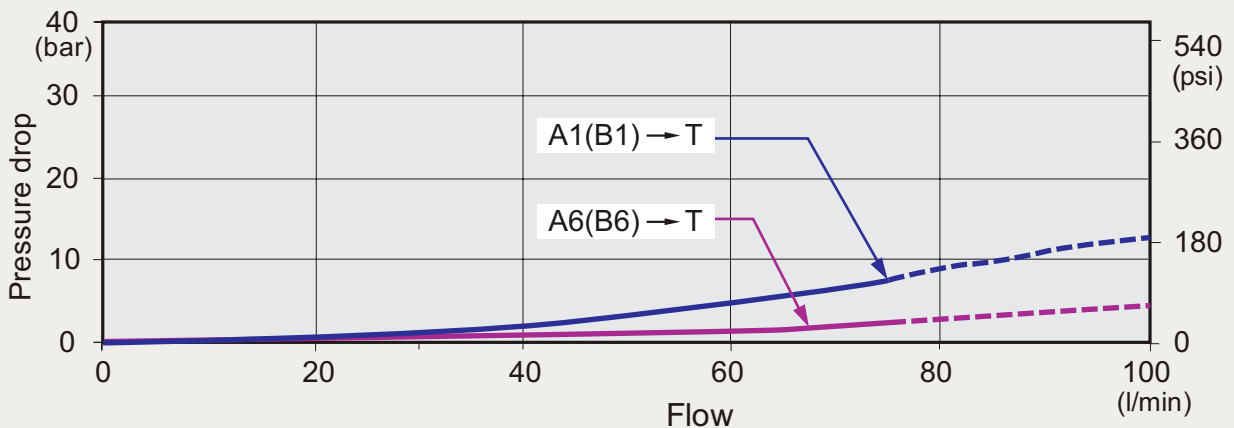
**P to T**



**P to A(B)**



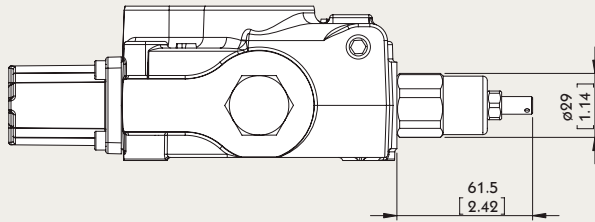
**A(B) to T**



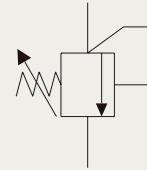


# HPMV-5 Inlet Relief (Optional) Monoblock Directional Control Valves

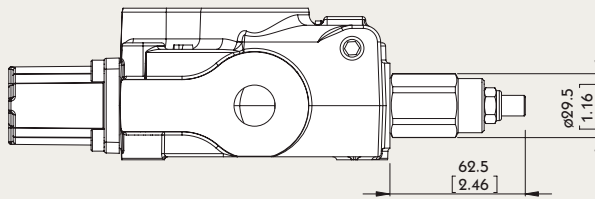
## Type AG



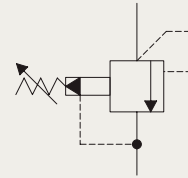
**Direct pressure relief valve:**



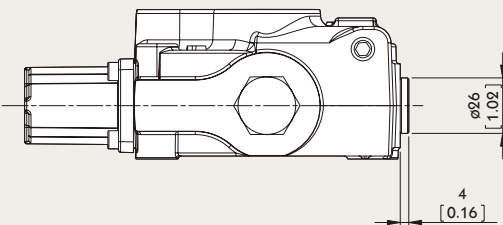
## Type XAG



**Pilot operated pressure relief valve:**



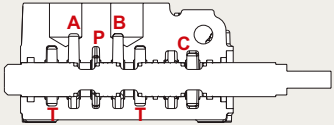
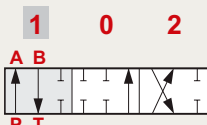
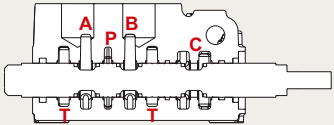
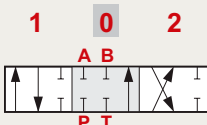
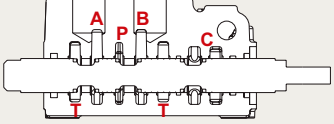
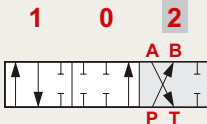
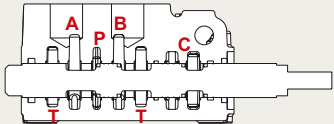
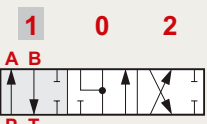
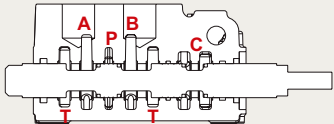
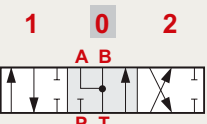
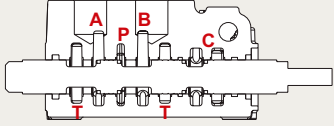
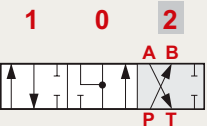
## Type SV



**Relief valve blanking plug:**

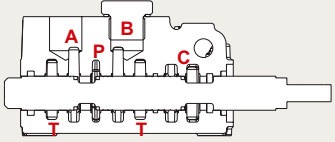
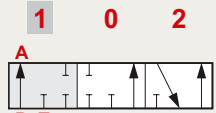
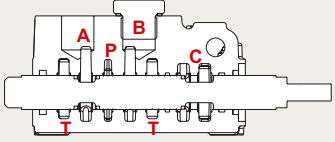
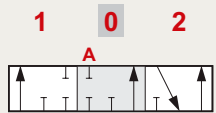
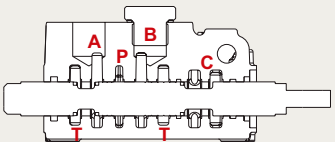

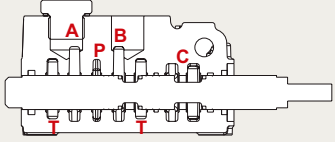
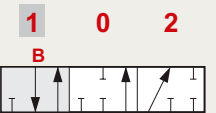
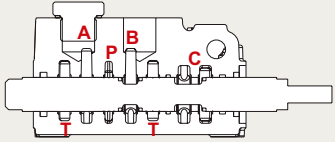
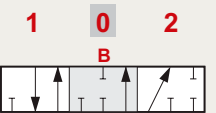
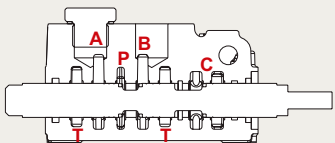
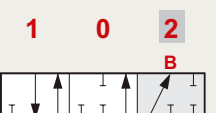


## HPMV-5 Spool Options Monoblock Directional Control Valves

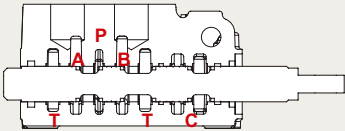
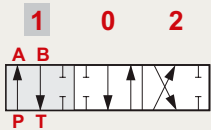
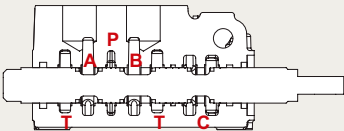
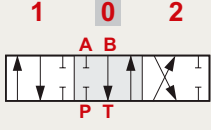
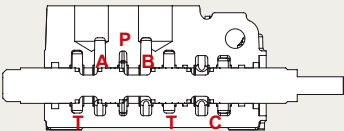
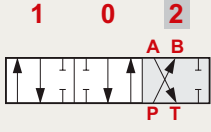
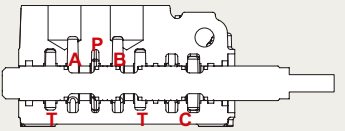
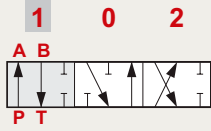
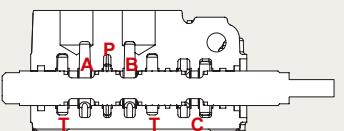
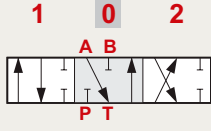
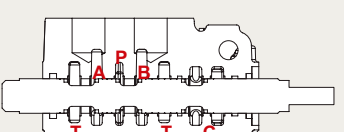
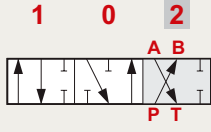
TYPE 1		
	<p>P → A B → T C closed</p>	
	<p>P &amp; T &amp; A &amp; B closed C open</p>	
	<p>P → B A → T C closed</p>	
TYPE 2		
	<p>P → A B → T C closed</p>	
	<p>A &amp; B → T P closed C open</p>	
	<p>P → B A → T C closed</p>	



# HPMV-5 Spool Options Monoblock Directional Control Valves

TYPE 3		
	<p><b>P → A</b> T &amp; C closed</p>	<p>1 0 2 A P T "B" port plugged</p> 
	<p>P &amp; A &amp; T closed C open</p>	<p>1 0 2 A P T "B" port plugged</p> 
	<p><b>A → T</b> P closed C open</p>	<p>1 0 2 A P T "B" port plugged</p> 
TYPE 4		
	<p><b>B → T</b> P closed C open</p>	<p>1 0 2 B P T "A" port plugged</p> 
	<p>P &amp; B &amp; T closed C open</p>	<p>1 0 2 B P T "A" port plugged</p> 
	<p><b>P → B</b> C &amp; T closed</p>	<p>1 0 2 B P T "A" port plugged</p> 

## HPMV-5 Spool Options Monoblock Directional Control Valves

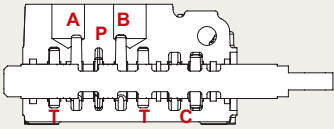
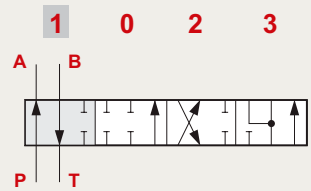
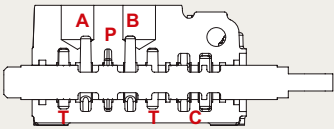
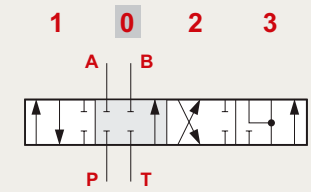
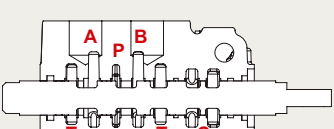
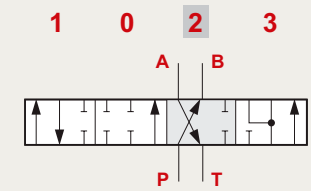
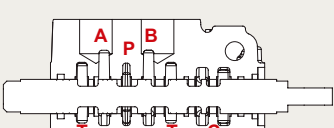
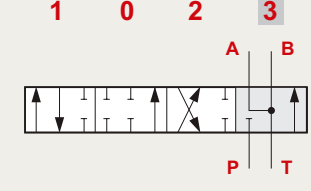
TYPE 5		
	<p>P → A B → T C closed</p>	
	<p>B → T P &amp; A closed C open</p>	
	<p>P → B A → T C closed</p>	
TYPE 6		
	<p>P → A B → T C closed</p>	
	<p>A → T P &amp; B closed C open</p>	
	<p>P → B A → T C closed</p>	



# HPMV-5 Spool Options Monoblock Directional Control Valves

TYPE 9		
	<p><b>P</b> → <b>A</b></p> <p><b>B</b> → <b>T</b></p> <p><b>C closed</b></p>	
	<p><b>P &amp; T &amp; A &amp; B closed</b></p> <p><b>C closed</b></p>	
	<p><b>P</b> → <b>B</b></p> <p><b>A</b> → <b>T</b></p> <p><b>C closed</b></p>	
TYPE 10		
	<p><b>P</b> → <b>A</b></p> <p><b>B</b> → <b>T</b></p> <p><b>C closed</b></p>	
	<p><b>A &amp; B</b> → <b>T</b></p> <p><b>P &amp; C closed</b></p>	
	<p><b>P</b> → <b>B</b></p> <p><b>A</b> → <b>T</b></p> <p><b>C closed</b></p>	

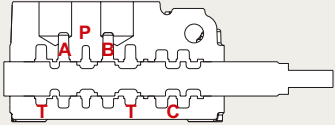
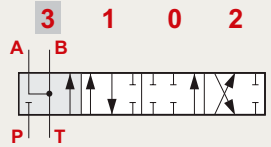
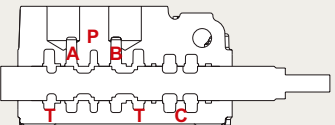
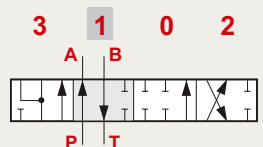
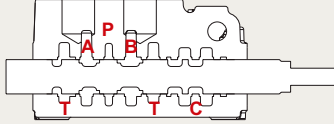
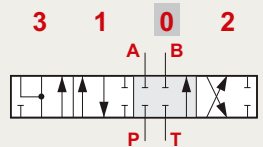
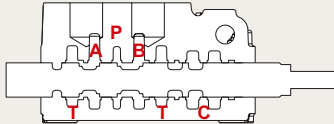
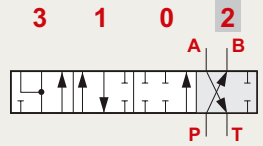
## HPMV-5 Spool Options Monoblock Directional Control Valves

TYPE 5DY	NOTE: WITH SPECIAL BODY AND SPECIAL POSITIONER	
	<p>P → A B → T C closed</p>	
	<p>P &amp; T &amp; A &amp; B closed C open</p>	
	<p>P → B A → T C closed</p>	
	<p>A &amp; B → T P closed C open</p>	



# HPMV-5 Spool Options

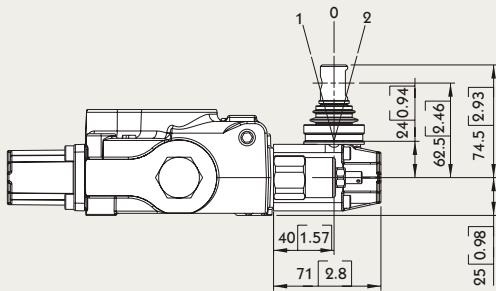
## Monoblock Directional Control Valves

TYPE 5PY	NOTE: WITH SPECIAL BODY AND SPECIAL POSITIONNER	
	<p>A &amp; B → T P closed C open</p>	
	<p>P → A B → T C closed</p>	
	<p>P &amp; T &amp; A &amp; B closed C open</p>	
	<p>P → B A → T C closed</p>	



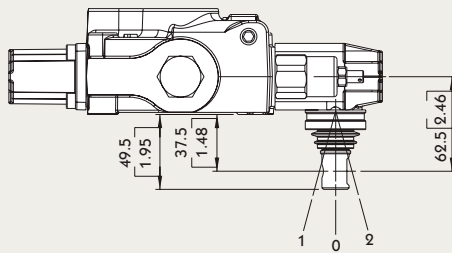
## HPMV-5 A Side Monoblock Directional Control Valves

### Type L



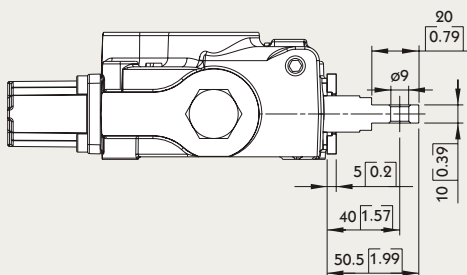
**Type L :**  
STANDART LEVER KIT

### Type R



**Type R :**  
STANDART LEVER KIT  
(ROTATED 180 DEGREE)

### Type SLP

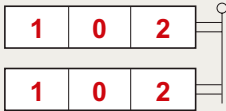
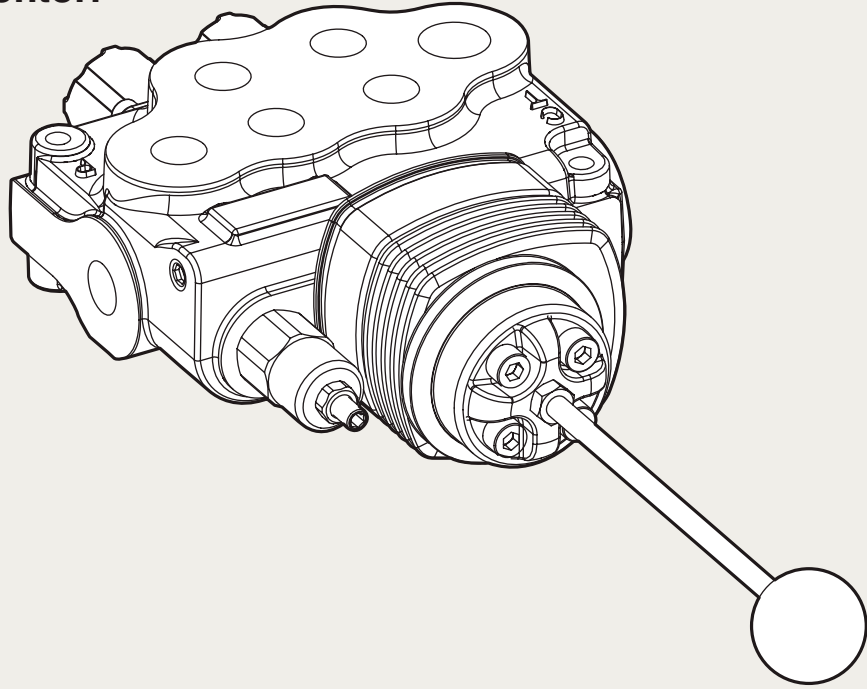


**Type SLP :**  
WITH DUST-PROOF PLATE



# HPMV-5 A Side Monoblock Directional Control Valves

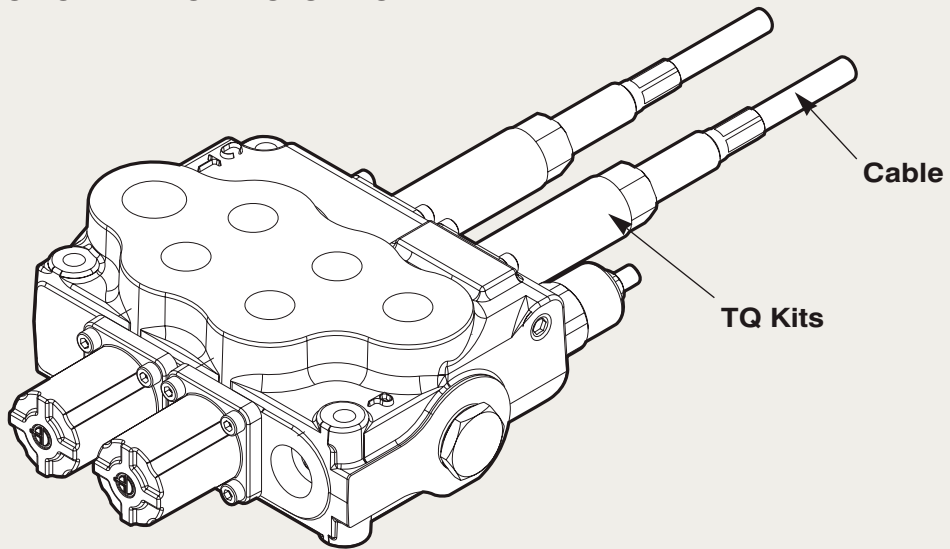
## LCB: Joystick control



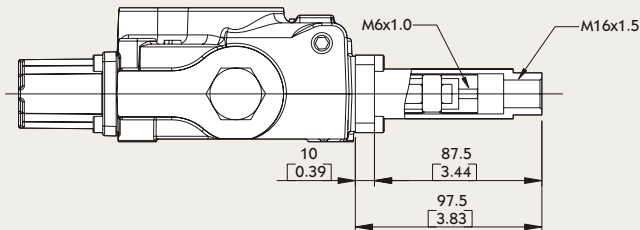
Type LCB	LCB1	LCB2
Type LCB	LCB3	LCB4

# HPMV-5 A Side Monoblock Directional Control Valves

**Note : CONNECTION KIT NOT INCLUDE CABLE**



## Type TQ



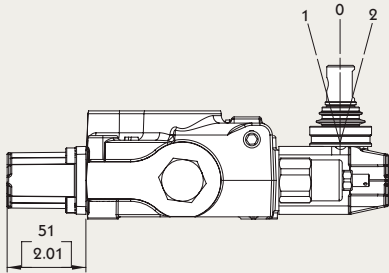
**TQ Kit:**





# HPMV-5 B Side Monoblock Directional Control Valves

## Type 6



### 6-1 Kit:

DETENT IN POS. 1-0-2, WITHOUT SPRING CENTERED



### 6-2 Kit:

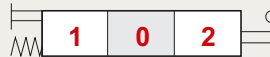
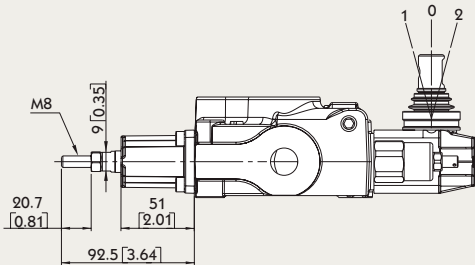
2 POSITIONS, DETENT IN POS. 0-2, WITHOUT SPRING CENTERED



### 6-3 Kit:

2 POSITIONS, DETENT IN POS. 1-0, WITHOUT SPRING CENTERED

## Type 8D2



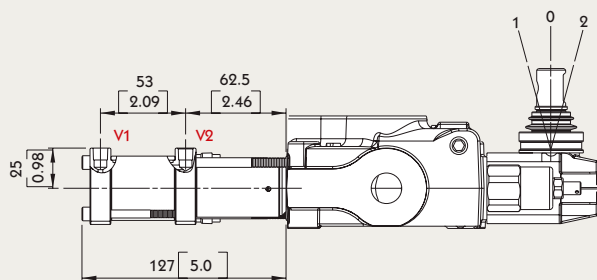
### 8D2 Kit:

WITH SPRING RETURN TO NEUTRAL POSITION AND PIN WITH M8 MALE THREAD FOR DUAL CONTROL

## HPMV-5 B Side Monoblock Directional Control Valves

### Type 8P

V1 & V2: NPT 1/8 - 27



#### Operating feature :

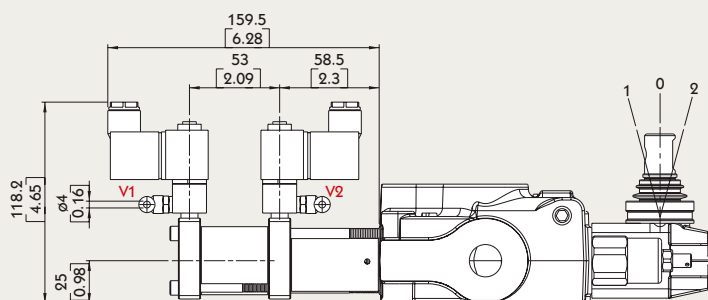
PILOT PRESSURE (MIN.): 6 BAR / 87 PSI

PILOT PRESSURE (MAX.): 12 BAR / 174 PSI

ON/OFF PNEUMATIC KIT



### Type 8EP3

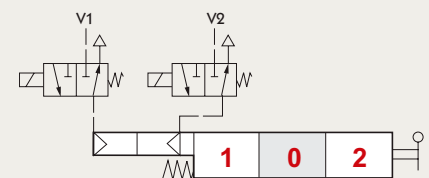


#### Solenoid operating features :

NOMINAL VOLTAGE: 24VDC

NOMINAL VOLTAGE TOLERANCE:  $\pm 10\%$

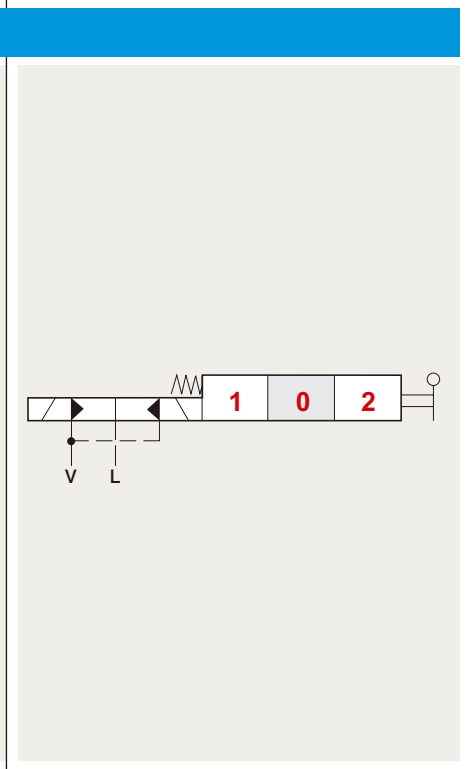
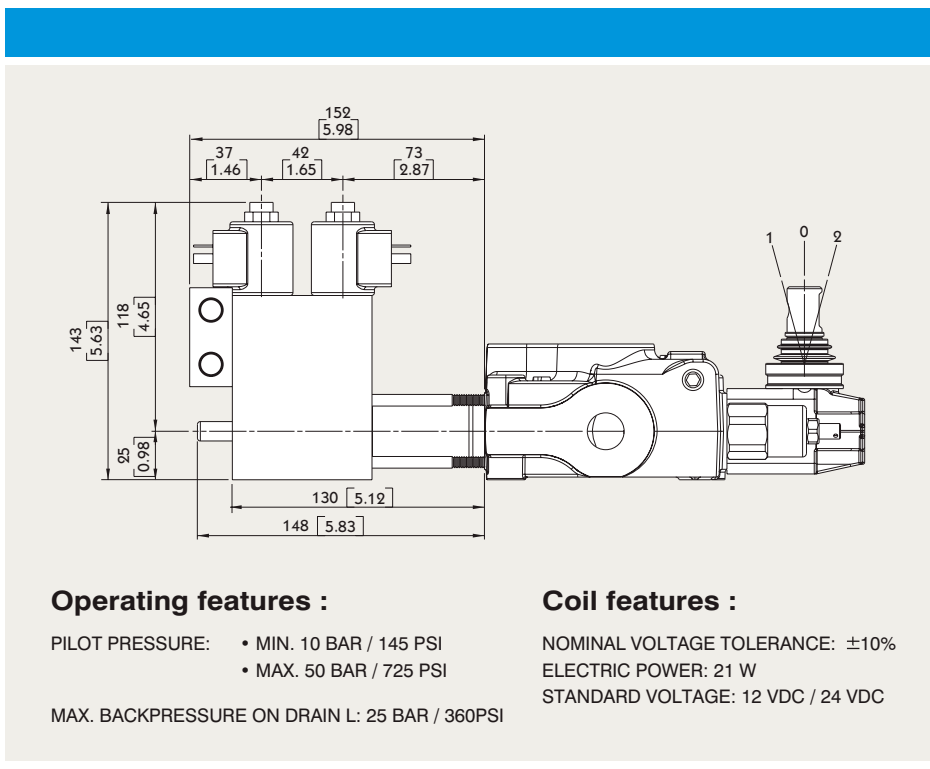
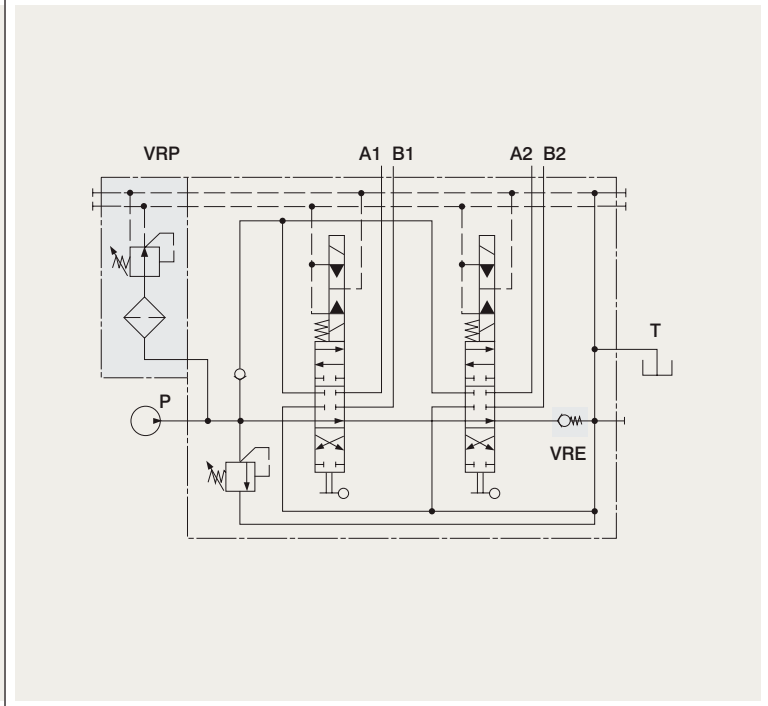
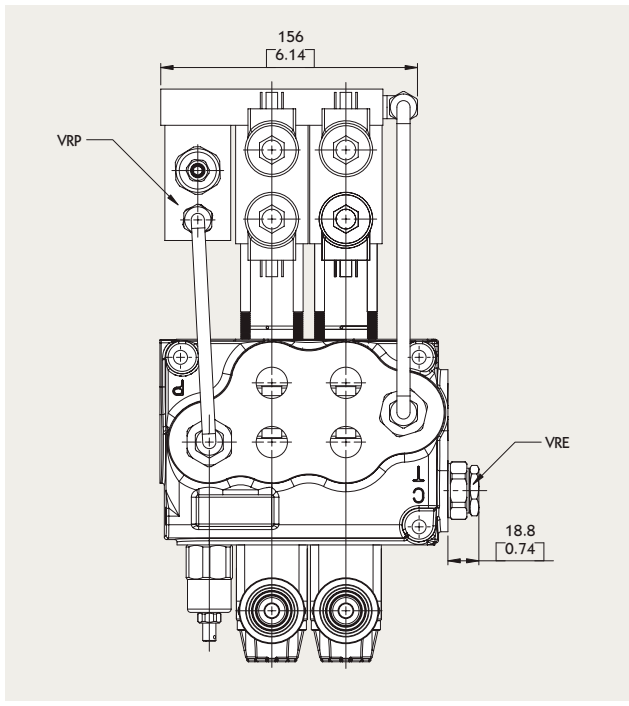
POWER RATING: 5W





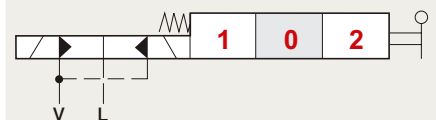
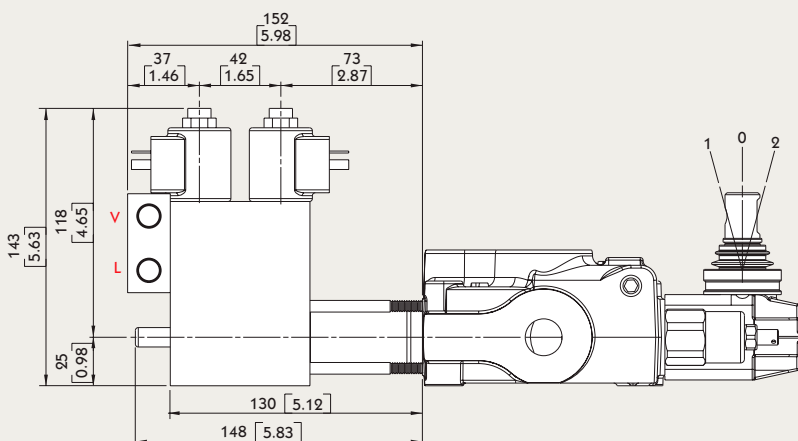
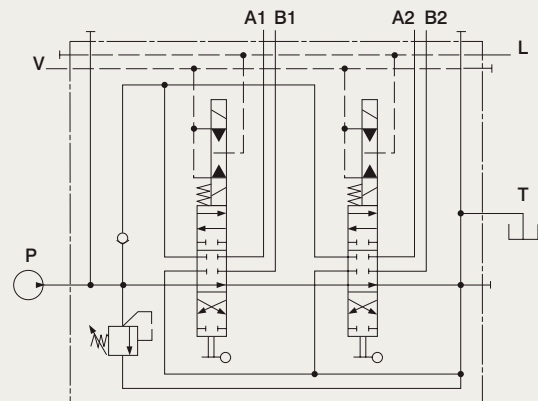
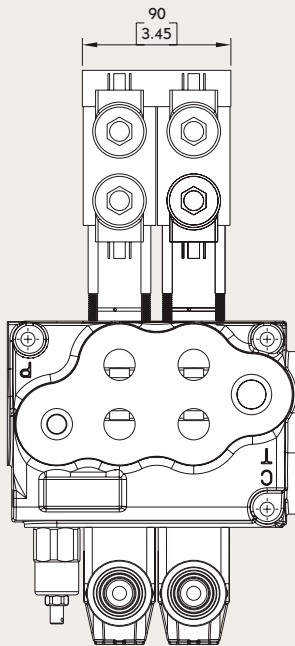
# HPMV-5 B Side Monoblock Directional Control Valves

## Type 8ED3



## HPMV-5 B Side Monoblock Directional Control Valves

### Type 8ER3



#### Operating features :

PILOT PRESSURE: • MIN. 10 BAR / 145 PSI  
• MAX. 50 BAR / 725 PSI

MAX. BACKPRESSURE ON DRAIN L: 25 BAR / 360PSI

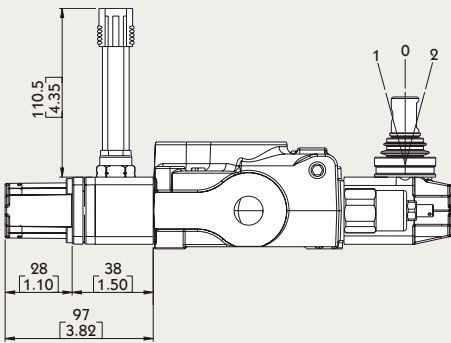
#### Coil features :

NOMINAL VOLTAGE TOLERANCE:  $\pm 10\%$   
ELECTRIC POWER: 21 W  
STANDARD VOLTAGE: 12 VDC / 24 VDC



# HPMV-5 B Side Monoblock Directional Control Valves

## Type 8MG



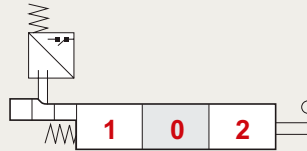
### MICROSWITCH

#### Operating features :

MECHANICAL LIFE: 5X10<sup>6</sup> OPERATIONS

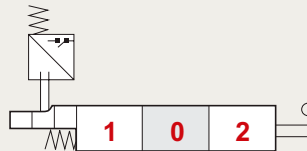
ELECTRICAL LIFE (RESISTIVE LOAD):

- 10<sup>6</sup> OPERATIONS - 7A / 13.5 VDC
- 5x10<sup>4</sup> OPERATIONS - 10A / 12 VDC
- 5x10<sup>4</sup> OPERATIONS - 3A / 28 VDC



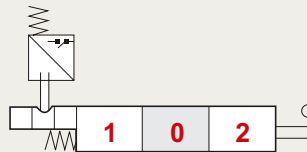
### 8MG1 Kit:

MICROSWITCH WITH MALE/FEMALE CONNECTOR, OPERATED IN POS. 1



### 8MG2 Kit:

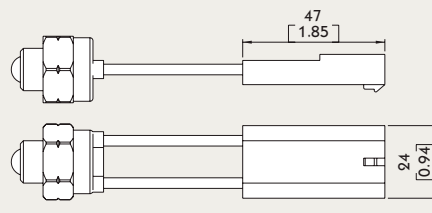
MICROSWITCH WITH MALE/FEMALE CONNECTOR, OPERATED IN POS. 2



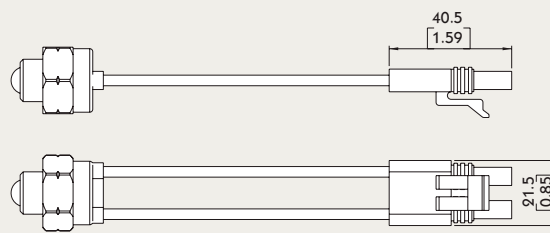
### 8MG3 Kit:

MICROSWITCH WITH MALE/FEMALE CONNECTOR, OPERATED IN POS. 1 AND POS. 2

### With NO contact (female connector with male end)

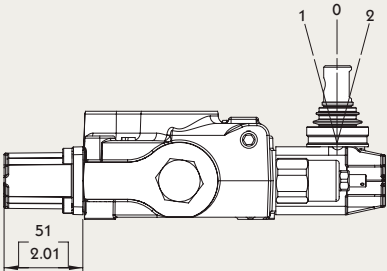





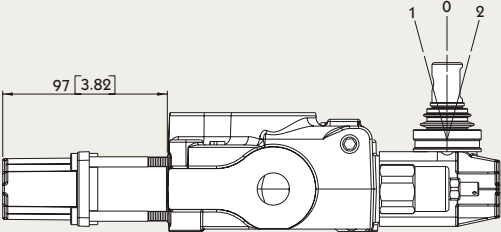


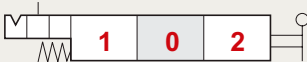
### With NC contact (male connector with female end)





# HPMV-5 B Side Monoblock Directional Control Valves

Type 8		
		<p><b>8 Kit:</b> SPRING RETURN TO NEUTRAL POSITION.</p>
		<p><b>8-1 Kit:</b> SPRING RETURN TO NEUTRAL POSITION. (2 POSITIONS)</p>
		<p><b>8-2 Kit:</b> SPRING RETURN TO NEUTRAL POSITION. (2 POSITIONS)</p>

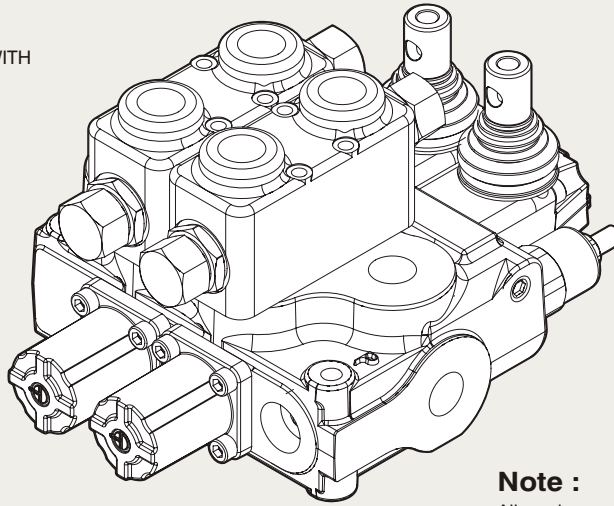
Type 9		
		<p><b>9-1 Kit:</b> DETENT IN POS. 1, 2 WITH SPRING CENTERED</p>
		<p><b>9-2 Kit:</b> DETENT IN POS. 2 WITH SPRING CENTERED</p>
		<p><b>9-3 Kit:</b> DETENT IN POS. 1 WITH SPRING CENTERED</p>



# HPMV-5 Service and auxiliary valves Monoblock Directional Control Valves

## Anti-shock valves

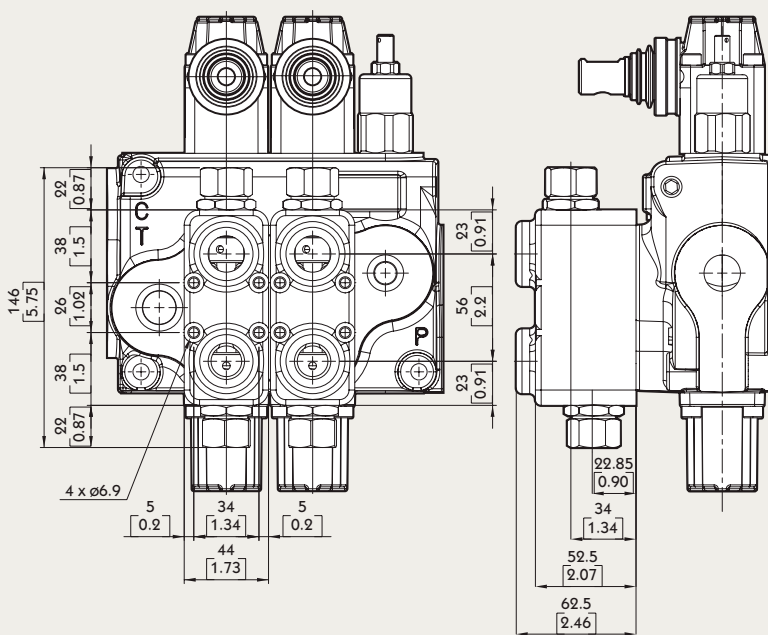
(CROSS RETURN TYPE, SUPPLIED WITH MOUNTING BLOCK)



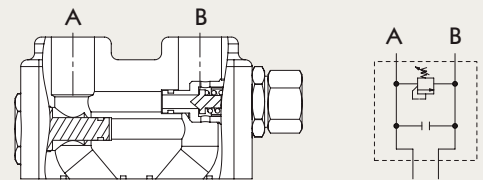
### Note :

All service and auxiliary valves need special body

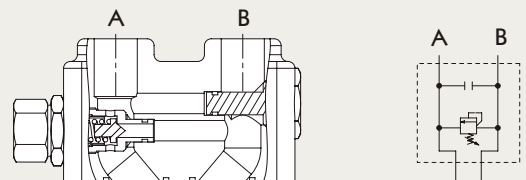
## Type P



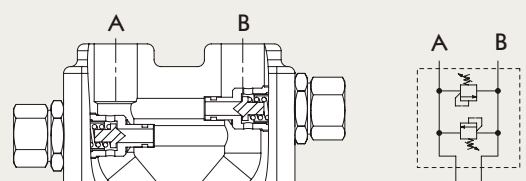
**P1 Kit:** YLMB56001, Block with valve on port A



**P2 Kit:** YLMB56002, Block with valve on port B



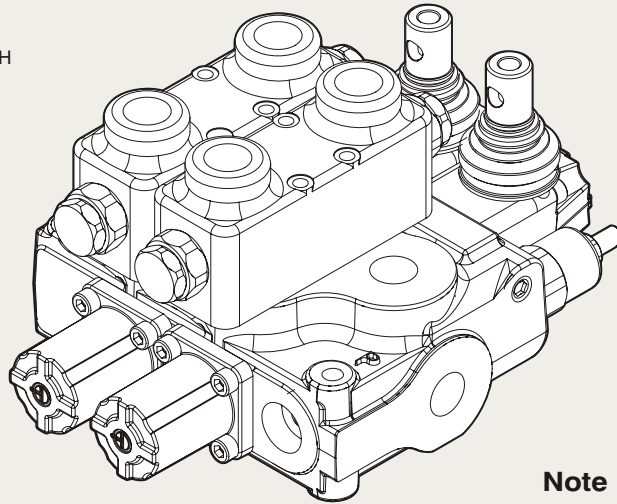
**P3 Kit:** YLMB56003, Block with valve on port A and B



## HPMV-5 Service and auxiliary valves Monoblock Directional Control Valves

### Pilot check valves

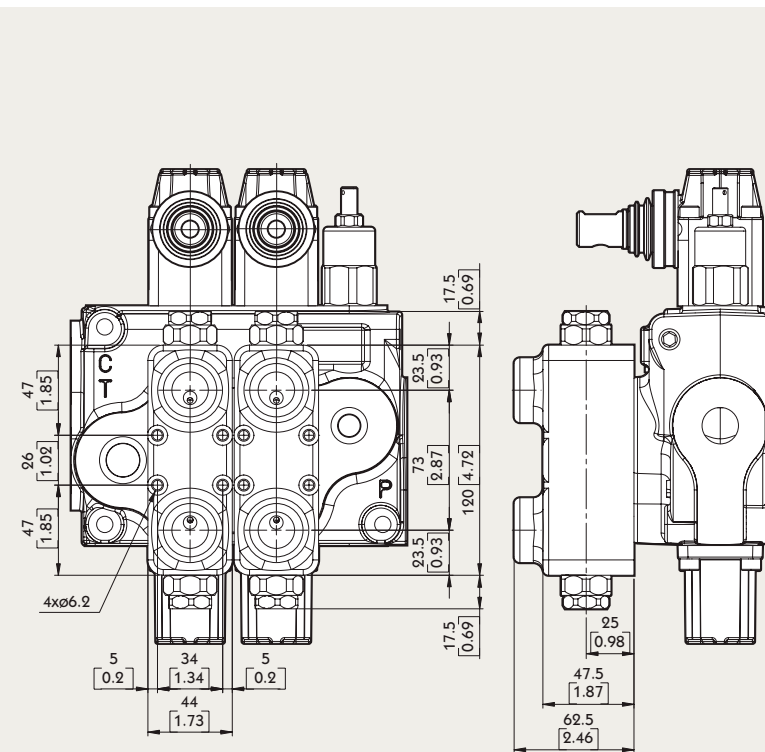
(WITH PRE-OPENING, SUPPLIED WITH MOUNTING BLOCK)



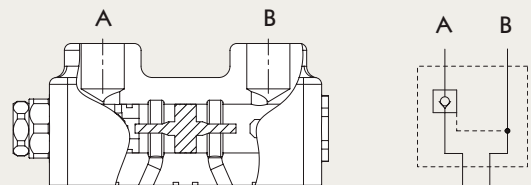
### Note :

All service and auxiliary valves need special body

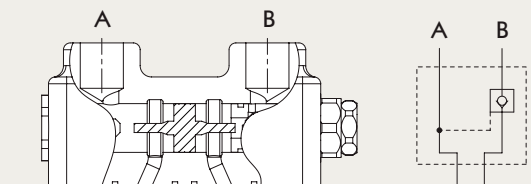
### Type BPS Pilot check valves (With Pre-opening, supplied with mounting block)



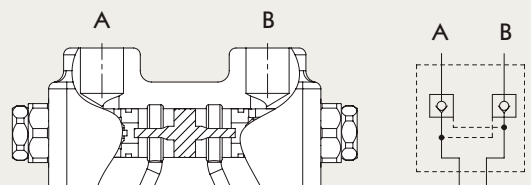
**BPS1 Kit:** YLMB57001, Block with valve on port A



**BPS2 Kit:** YLMB57002, Block with valve on port B



**BPS3 Kit:** YLMB57003, Block with valve on port A and B

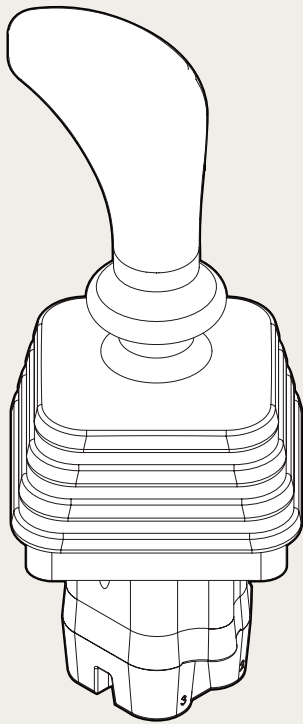




# HPMV-5 Accessories

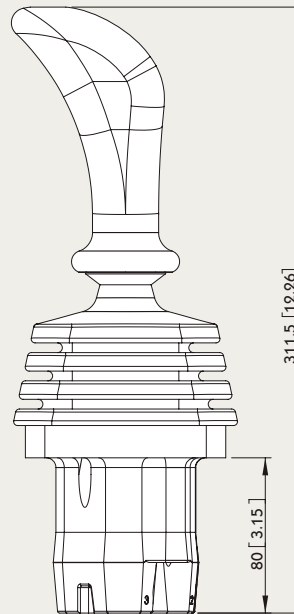
## Monoblock Directional Control Valves

### Type JHP-2

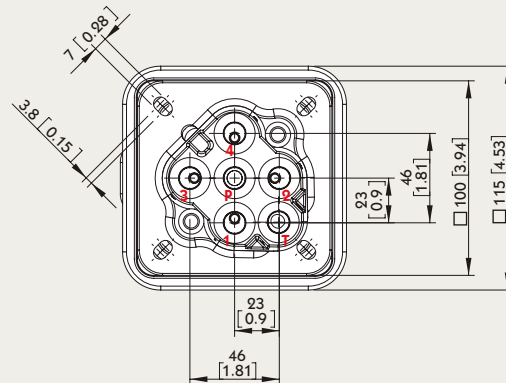
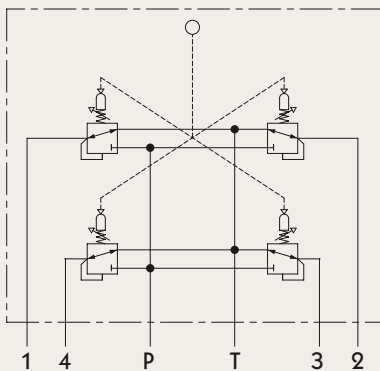


#### Specifications:

- This data sheet shows technical spec. with mineral oil of 46 mm<sup>2</sup>/s (cSt) viscosity at 40°C (104°F)
- Flow : 5 ~ 20 LPM
- Feeding pressure : 30 ~ 100 bar
- Max. backpressure : 3 bar
- Internal leakage at 30 bar : 10 ~ 18 cm<sup>3</sup>/min
- Fluid : mineral oil
- Fluid temperature : - 10 ~ 80°C
- Ambient temperature : - 40 ~ 60°C



#### HYDRAULIC SCHEME:

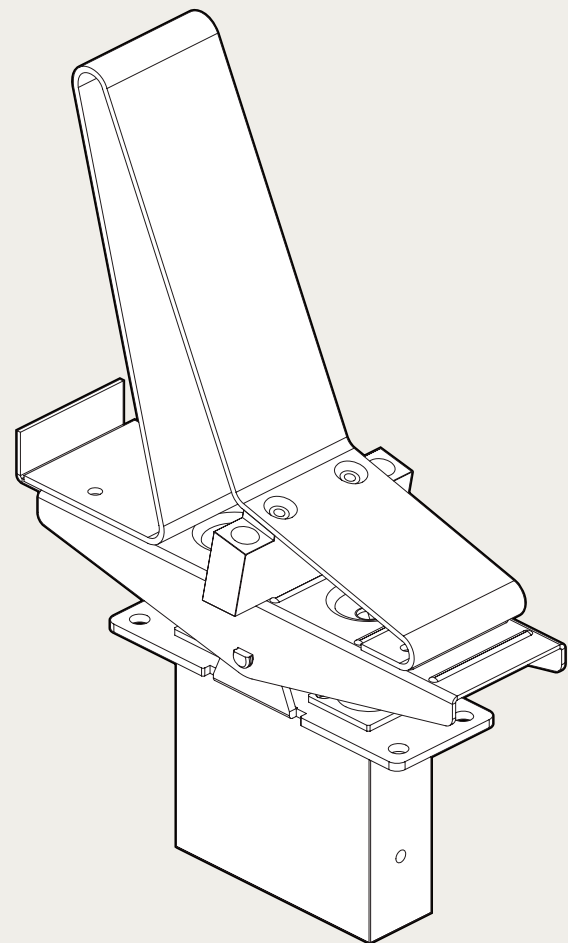
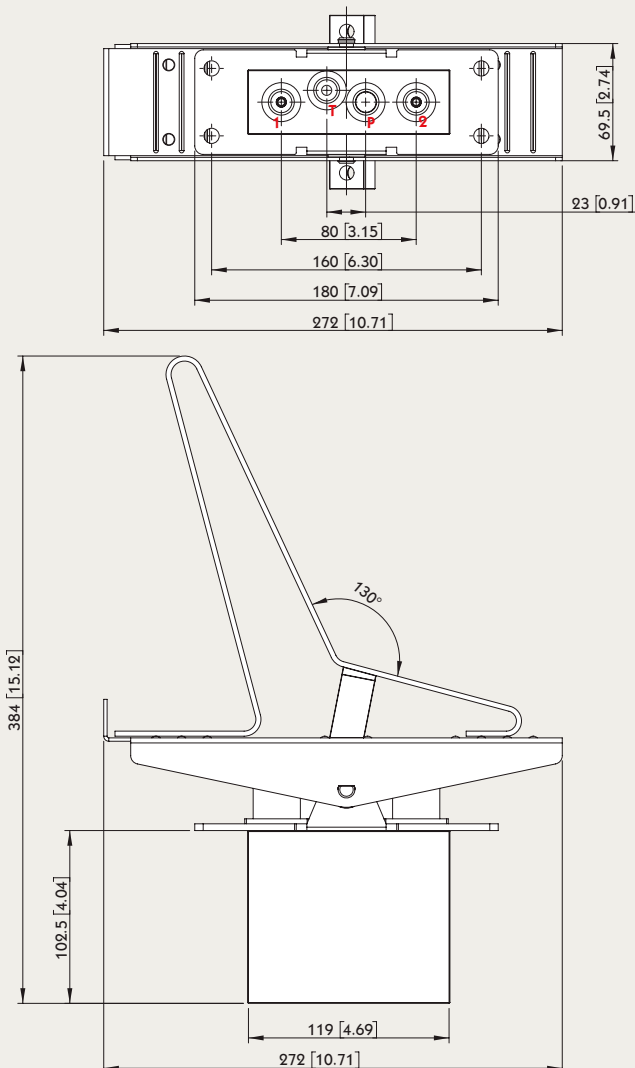


## HPMV-5 Accessories Monoblock Directional Control Valves

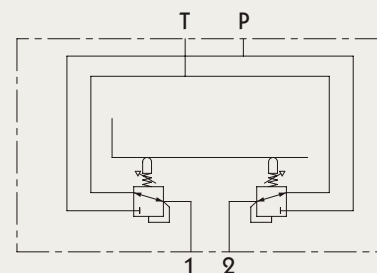
### Type PHP-1

#### Specifications:

- This data sheet shows technical spec. with mineral oil of 46 mm<sup>2</sup>/s (cSt) viscosity at 40°C (104°F)
- Flow : 5 ~ 20 LPM
- Feeding pressure : 30 ~ 100 bar
- Max. backpressure : 3 bar
- Internal leakage at 30 bar : 10 ~ 18 cm<sup>3</sup>/min
- Fluid : mineral oil
- Fluid temperature : - 10 ~ 80°C
- Ambient temperature : - 40 ~ 60°C



#### HYDRAULIC SCHEME:

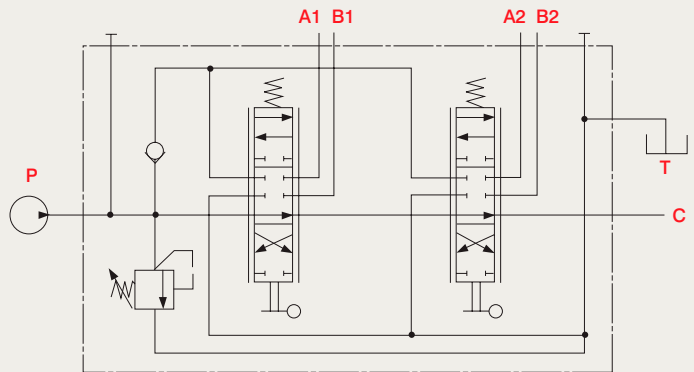
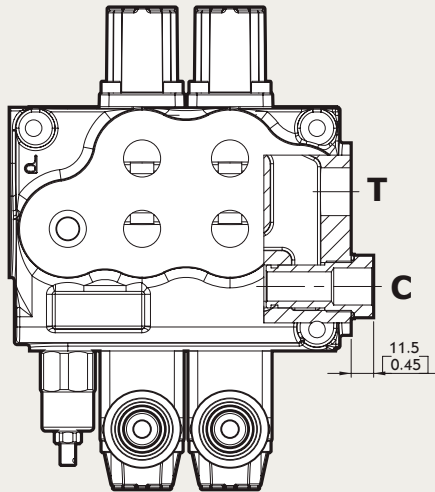




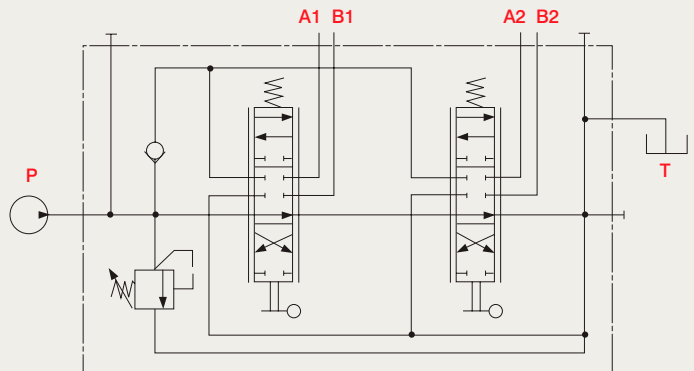
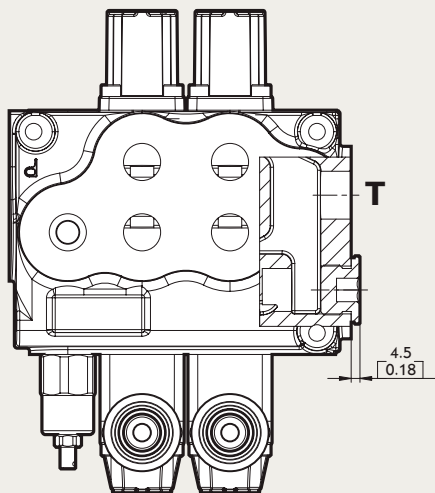
# HPMV-5 Outlet Monoblock Directional Control Valves

## M8

Power Beyond Conversion plug  
(Closed center plug)



## M3



## CENTRALA ELBLĄG

Ul. Rawska 19B  
82-300 Elbląg

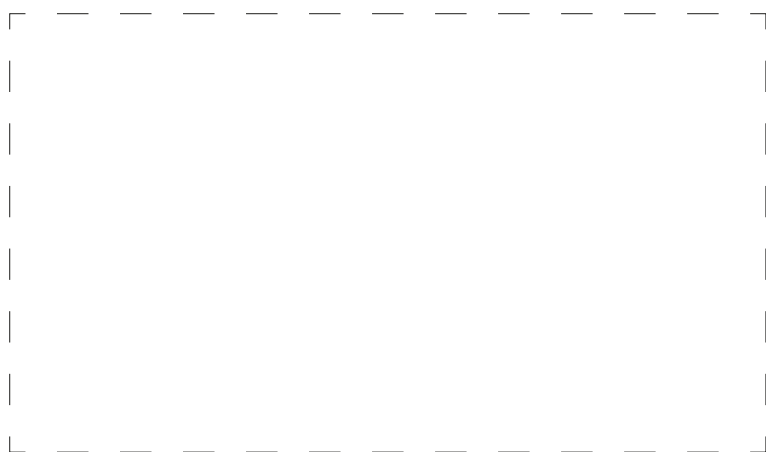
tel. /+48/ 55 625 51 00

fax /+48/ 55 625 51 01

### Dział Handlowy

tel. /+48/ 55 625 51 51

elblag@hydropress.pl



[www.hydropress.pl](http://www.hydropress.pl)

### ODDZIAŁ GDAŃSK

tel. /+48/ 55 625 51 21

fax /+48/ 55 625 51 22

### ODDZIAŁ RUMIA

tel. /+48/ 58 679 34 15

fax /+48/ 55 625 51 25

### ODDZIAŁ TYCHY

tel. /+48/ 32 787 52 88

fax /+48/ 55 625 51 38

### ODDZIAŁ OLSZTYN

tel. /+48/ 89 532 01 05

fax /+48/ 89 715 21 42

### ODDZIAŁ WARSZAWA

tel. /+48/ 22 468 86 97

fax /+48/ 55 625 51 32

### BIURO HANDLOWE WROCŁAW

tel. /+48/ 782 838 000

fax /+48/ 55 625 51 35

### BIURO HANDLOWE KIELCE

tel. /+48/ 885 995 501

fax /+48/ 55 625 51 01

### BIURO HANDLOWE KRAKÓW

tel. /+48/ 885 995 019

fax /+48/ 55 625 51 01

### BIURO HANDLOWE OPOLE

tel. /+48/ 885 995 011

fax /+48/ 55 625 51 01

### BIURO HANDLOWE BYDGOSZCZ

tel. /+48/ 790 222 771

fax /+48/ 55 625 51 01