



# HPSV-3

## ROZDZIELACZE MONOBLOKOWE

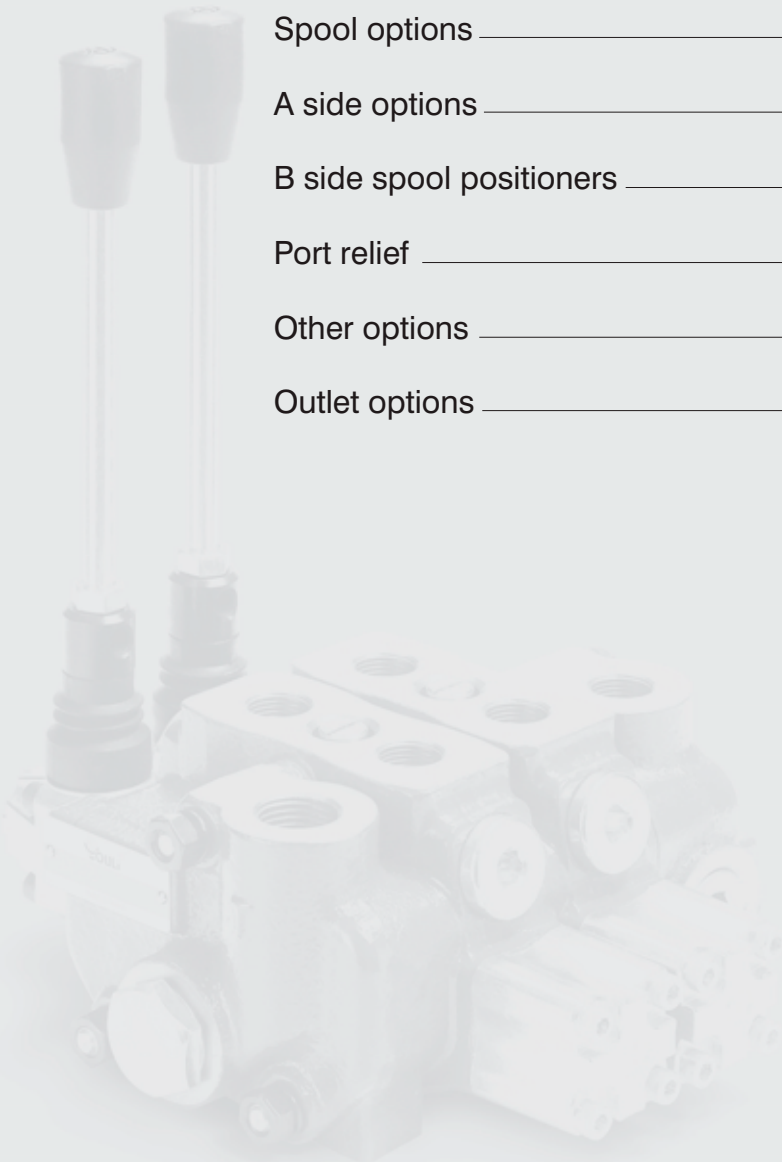
---

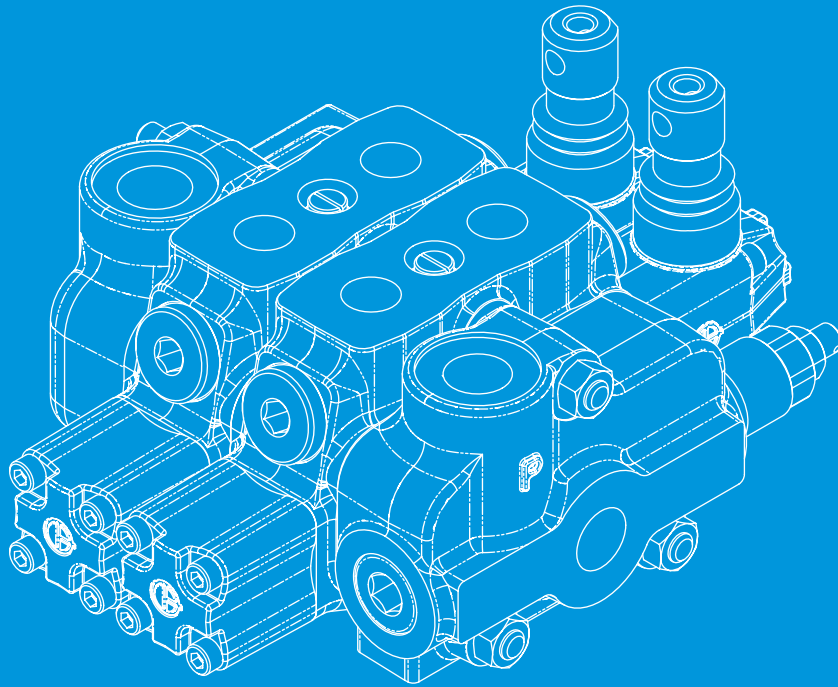
# HPSV-3

## Sectional Directional Control Valves

---

Working condition .....	P.5
Ordering code .....	P.7
Dimensions .....	P.12
Performance data .....	P.13
Inlet relief options .....	P.14
Spool options .....	P.15
A side options .....	P.20
B side spool positioners .....	P.24
Port relief .....	P.33
Other options .....	P.34
Outlet options .....	P.36





*Innovative Designs  
Professional Quality  
Customer Satisfaction !*

AVAILABLE SECTIONS FROM

1 TO 12

---

## **HPSV-3** **Sectional Directional Control Valves**

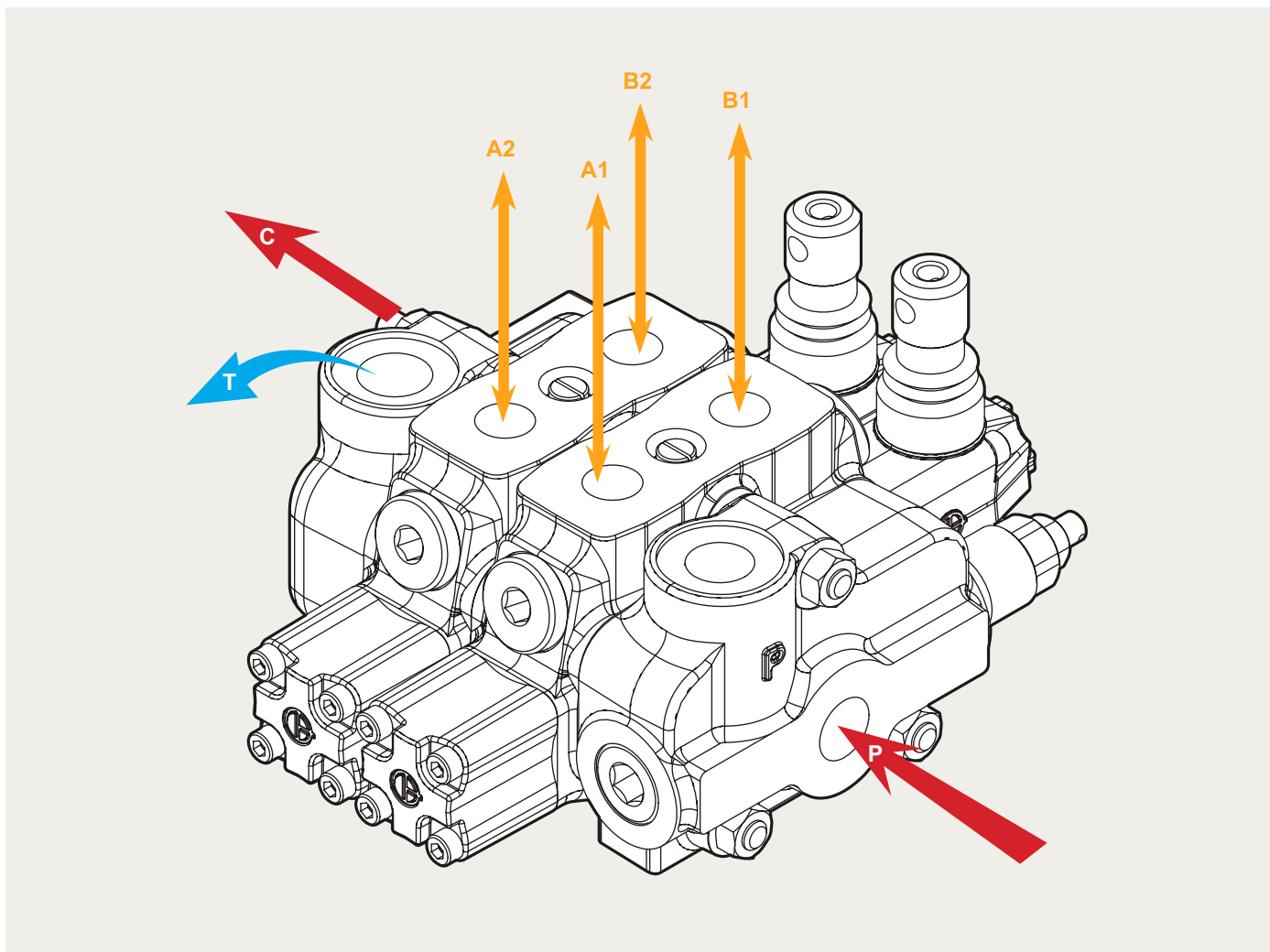


# MobiTec

---

# HPSV-3

## Sectional Directional Control Valves



### Specifications

Nominal flow rate		50 l/min	13 US gpm
Operating pressure (maximum)		315 bar	4600 psi
Back pressure (maximum)	on outlet port T	25 bar	360 psi
Fluid temperature range	with NBR(BUNA-N) seals	from - 20° to 80°C	from - 4° to 176° F
	with FPM(VITON) seal	from - 20° to 100°C	from - 4° to 212° F
Viscosity	operating range	from 15 to 75 mm <sup>2</sup> /s	from 15 to 75 cst
	min	12 mm <sup>2</sup> /s	12 cst
	max.	400 mm <sup>2</sup> /s	400 cst
Ambient temperature range		from - 40° to 60°C	from - 40° to 140° F

• All specifications, dimensions and design characteristics shown in this catalogue are subject to change without notice.



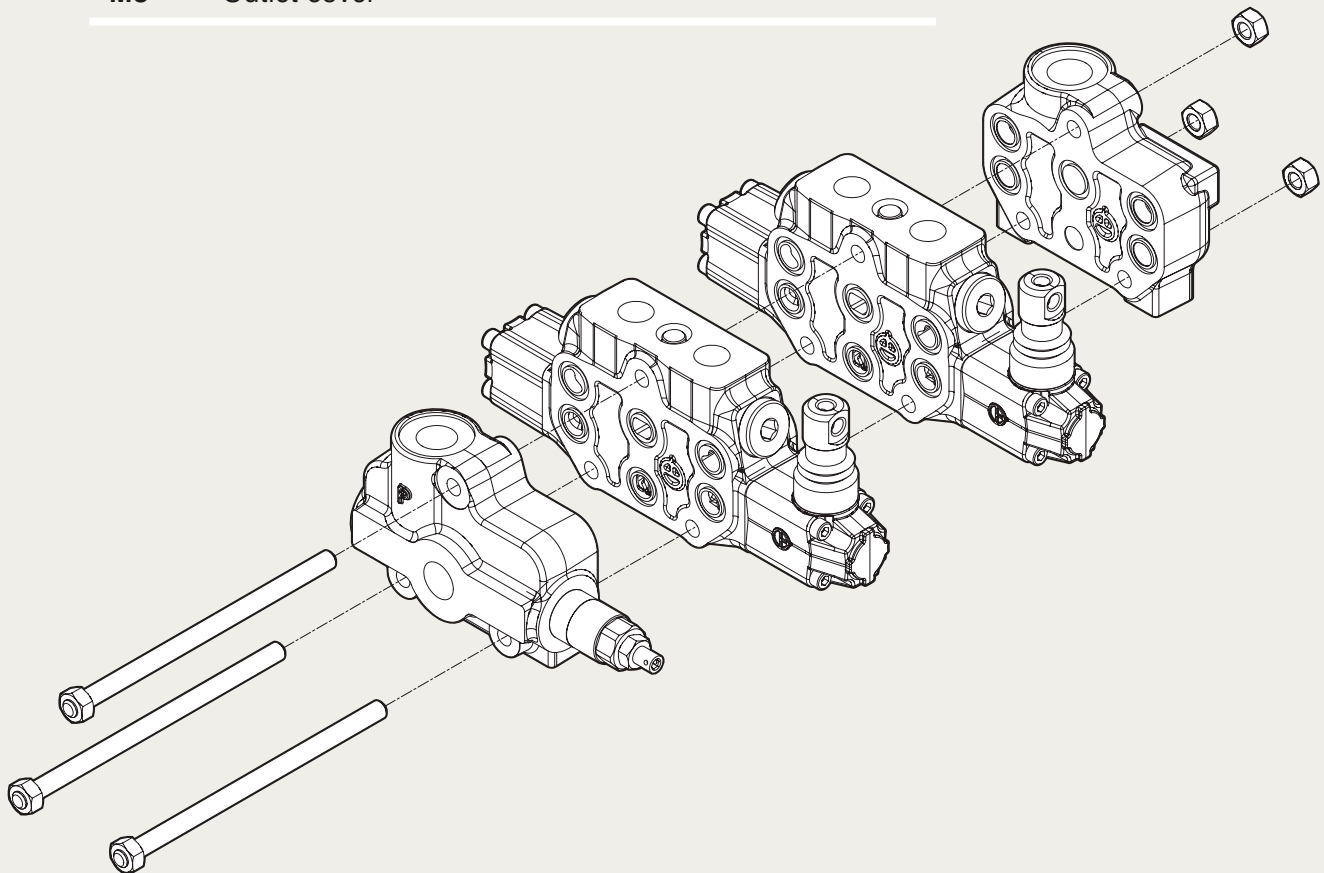
# HPSV-3

## Sectional Directional Control Valves

### HOW TO ORDER FOR A COMPLETE ASSEMBLED VALVE

**HPSV-3 / 2S - 3 / 18L / 28L / G-3-4 / M3**

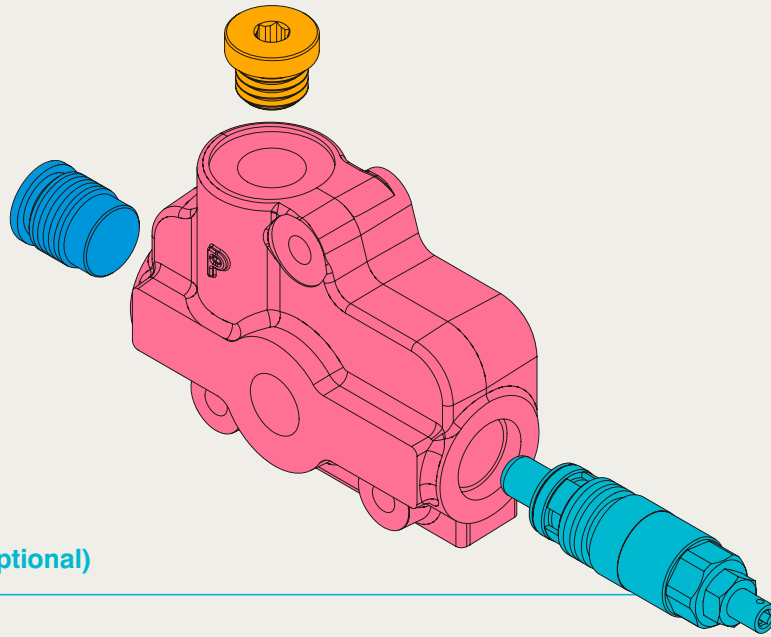
<b>2S</b>	No. of working section
<b>3</b>	Inlet cover with a main pressure relief valve
<b>18L</b>	1st section (complete working section)
<b>28L</b>	Following section (complete working section)
<b>G-3-4</b>	BSP ports
<b>M3</b>	Outlet cover



# HPSV-3 Inlet Section

## Sectional Directional Control Valves

FP HPSV-3 / YG-3 / G3

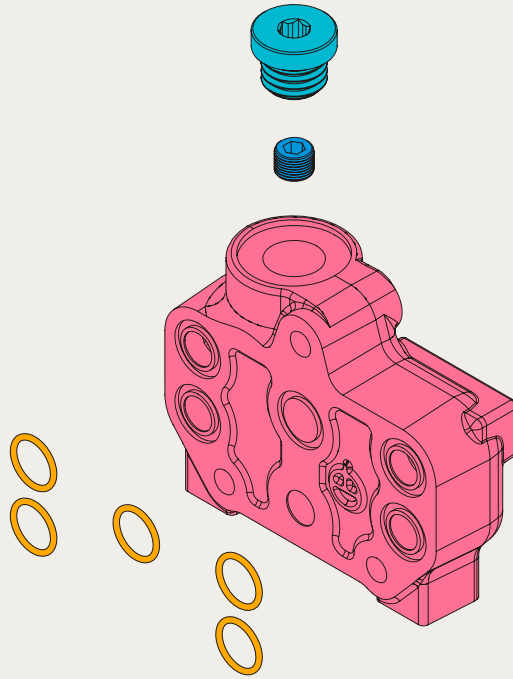


Inlet relief (optional)

Inlet Relief (optional)			
TYPE	CODE	DESCRIPTION	PAGE
YG-2	YLPSN33002	Range 40 to 80 bar / 1150 to 2300 psi , standard setting 80 bar / 1150 psi	P. 14
YG-3	YLPSN33003	Range 63 to 200 bar / 1800 to 3600 psi , standard setting 120 bar / 1750 psi	P. 14
YG-4	YLPSN33004	Range 160 to 315 bar / 2900 to 4600 psi , standard setting 220 bar / 3200 psi	P. 14
		Standard setting is referred to 10 l/min - 2.6 US gpm flow.	P. 14
SV	YLPSN34000	Relief valve blanking plug	P. 14
XYG	YLPSN33000	Pilot operated pressure relief valve Range 25 to 315 bar/ 360 to 4600 psi, standard setting 125 bar/ 1800 psi	P. 14

# HPSV-3 Outlet Section Sectional Directional Control Valves

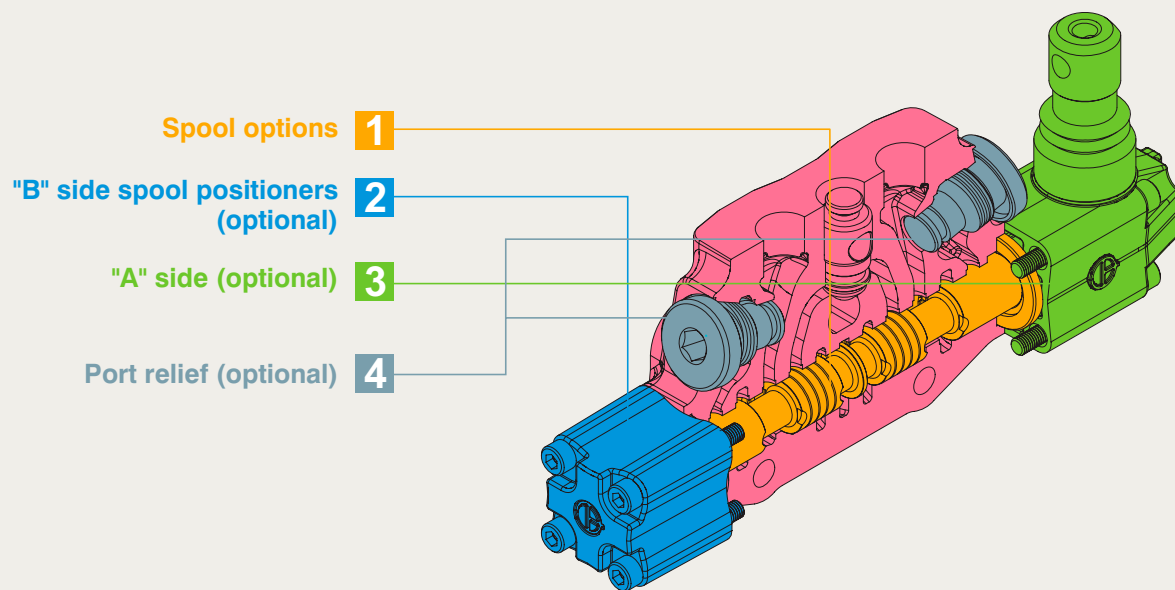
**FT HPSV-3 / G-4 / M3**





# HPSV-3 Working Section Sectional Directional Control Valves

EW HPSV-3 / 1S / **1 8 L** / **P1(G3-100)** / **G-3**  
**1 2 3** **4**



1: Spool Options			
TYPE	CODE	DESCRIPTION	PAGE
1	YLWSN32001	Double acting,3 positions,with A and B closed in neutral position	P. 15
1S	YLWSN32010	Double acting,3 positions,with A and B closed in neutral position, for series circuit	P. 18
2	YLWSN32002	Double acting,3 positions,with A and B open to tank in neutral position	P. 15
3	YLWSN32003	Single acting on A closed in neutral position, 3 positions, B plugged	P. 16
4	YLWSN32004	Single acting on B closed in neutral position, 3 positions, A plugged	P. 16
5	YLWSN32005	Double acting, 3 positions, with B open to Tank in neutral position	P. 17
6	YLWSN32006	Double acting, 3 positions, with A open to Tank in neutral position	P. 17
5PY	YLWSN33051	Double acting, 4 positions, floating circuit in 4th position with A, B open to Tank by pushing the lever	P. 19
2H	YLWSN32020	Double acting with A, B open partially to Tank in neutral	P. 18







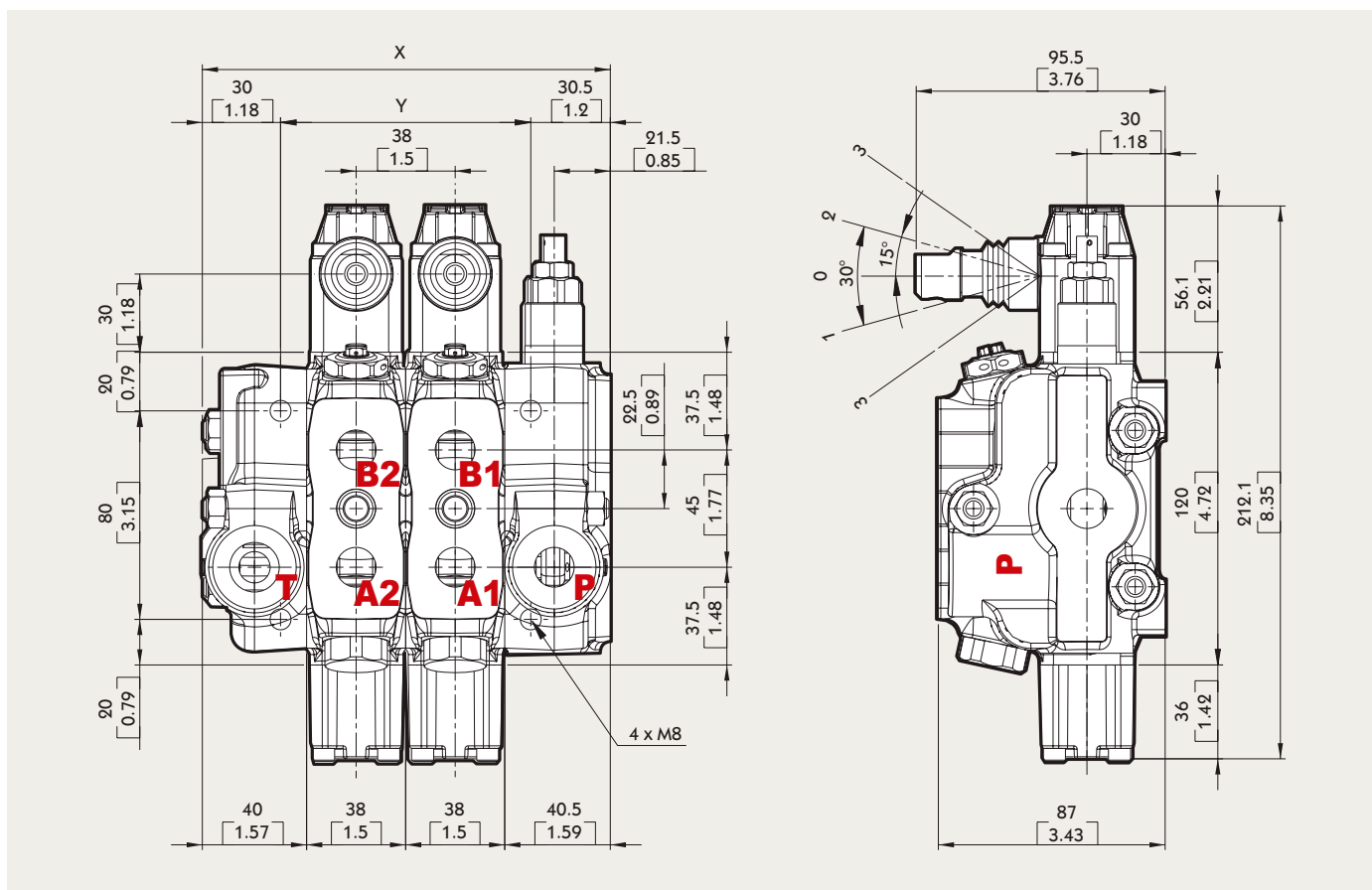
2: B Side Spool Positioners			
TYPE	CODE	DESCRIPTION	PAGE
8ED3+RV-KE1R3	YLWSN34201	1S: ON/OFF Electro-Hydraulic control kit with pilot and drain line+backpressure valve (12/24 VDC)	P. 26
8ED3+RV-KE2R3	YLWSN34202	2S: ON/OFF Electro-Hydraulic control kit with pilot and drain line+backpressure valve (12/24 VDC)	P. 26
8ED3+RV-KE3R3	YLWSN34203	3S: ON/OFF Electro-Hydraulic control kit with pilot and drain line+backpressure valve (12/24 VDC)	P. 26
8ED3+RV-KE4R3	YLWSN34204	4S: ON/OFF Electro-Hydraulic control kit with pilot and drain line+backpressure valve (12/24 VDC)	P. 26
8ED3+RV-KE5R3	YLWSN34205	5S: ON/OFF Electro-Hydraulic control kit with pilot and drain line+backpressure valve (12/24 VDC)	P. 26
8ED3+RV-KE6R3	YLWSN34206	6S: ON/OFF Electro-Hydraulic control kit with pilot and drain line+backpressure valve (12/24 VDC)	P. 26
8ED3+RV-KE7R3	YLWSN34207	7S: ON/OFF Electro-Hydraulic control kit with pilot and drain line+backpressure valve (12/24 VDC)	P. 26
8ED3+RV-KE8R3	YLWSN34208	8S: ON/OFF Electro-Hydraulic control kit with pilot and drain line+backpressure valve (12/24 VDC)	P. 26
8ED3+RV-KE9R3	YLWSN34209	9S: ON/OFF Electro-Hydraulic control kit with pilot and drain line+backpressure valve (12/24 VDC)	P. 26
8ED3+RV-KE10R3	YLWSN34210	10S: ON/OFF Electro-Hydraulic control kit with pilot and drain line+backpressure valve (12/24 VDC)	P. 26
8ED3+RV-KE11R3	YLWSN34211	11S: ON/OFF Electro-Hydraulic control kit with pilot and drain line+backpressure valve (12/24 VDC)	P. 26
8ED3+RV-KE12R3	YLWSN34212	12S: ON/OFF Electro-Hydraulic control kit with pilot and drain line+backpressure valve (12/24 VDC)	P. 26
8ER3+KE1S0	YLWSN33401	1S: ON/OFF Electro-hydraulic control kit with collector kit for external pilot and drain	P. 27
8ER3+KE2S0	YLWSN33402	2S: ON/OFF Electro-hydraulic control kit with collector kit for external pilot and drain	P. 27
8ER3+KE3S0	YLWSN33403	3S: ON/OFF Electro-hydraulic control kit with collector kit for external pilot and drain	P. 27
8ER3+KE4S0	YLWSN33404	4S: ON/OFF Electro-hydraulic control kit with collector kit for external pilot and drain	P. 27
8ER3+KE5S0	YLWSN33405	5S: ON/OFF Electro-hydraulic control kit with collector kit for external pilot and drain	P. 27
8ER3+KE6S0	YLWSN33406	6S: ON/OFF Electro-hydraulic control kit with collector kit for external pilot and drain	P. 27
8ER3+KE7S0	YLWSN33407	7S: ON/OFF Electro-hydraulic control kit with collector kit for external pilot and drain	P. 27
8ER3+KE8S0	YLWSN33408	8S: ON/OFF Electro-hydraulic control kit with collector kit for external pilot and drain	P. 27
8ER3+KE9S0	YLWSN33409	9S: ON/OFF Electro-hydraulic control kit with collector kit for external pilot and drain	P. 27
8ER3+KE10S0	YLWSN33410	10S: ON/OFF Electro-hydraulic control kit with collector kit for external pilot and drain	P. 27
8ER3+KE11S0	YLWSN33411	11S: ON/OFF Electro-hydraulic control kit with collector kit for external pilot and drain	P. 27
8ER3+KE12S0	YLWSN33412	12S: ON/OFF Electro-hydraulic control kit with collector kit for external pilot and drain	P. 27

3: A Side (Optional)			
TYPE	CODE	DESCRIPTION	PAGE
L	YLWSN34000	Standard lever	P. 20
SLP	YLWSN34003	Without lever, with dust proof plate	P. 20
LCB	YLWSN34002	Joystick lever for 2 section operation	P. 21
TQ	YLWSN34004	Flexible cable connection	P. 22

4: Port Relief (Optional)			
TYPE	CODE	DESCRIPTION	PAGE
P (G2-63)	YLWSN35002	Anti-shock valve, range 63 to 125 bar / form 900 to 1800 psi standard setting 63 bar / 900 psi	P. 33
P (G3-100)	YLWSN35003	Anti-shock valve, range 100 to 250 bar / form 1450 to 3600 psi standard setting 100bar / 1450 psi	P. 33
P (G4-200)	YLWSN35004	Anti-shock valve, range 200 to 315 bar / form 2900 to 4600 psi standard setting 200 bar / 2900 psi	P. 33
U (G2-63)	YLWSN35012	Anti-shock valve and Anti-cavitation valve, range 63 to 125 bar / form 900 to 1800 psi standard setting 63 bar / 900 psi	P. 33
U (G3-100)	YLWSN35013	Anti-shock valve and Anti-cavitation valve, range 100 to 250 bar / form 1450 to 3600 psi standard setting 100 bar / 1450 psi	P. 33
U (G4-200)	YLWSN35014	Anti-shock valve and Anti-cavitation valve, range 200 to 315 bar / form 2900 to 4600 psi standard setting 200 bar / 2900 psi	P. 33
C	YLWSN35100	Anti - cavitation	P. 33

# HPSV-3 Dimensions

## Sectional Directional Control Valves



### Standard threads

Ports	BSP	UN-UNF	METRIC
P	G 3/8	7/8-14 (SAE 10)	M18 x 1.5
A and B	G 3/8	3/4-16 (SAE 8)	M18 x 1.5
T and C	G 1/2	7/8-14 (SAE 10)	M22 x 1.5

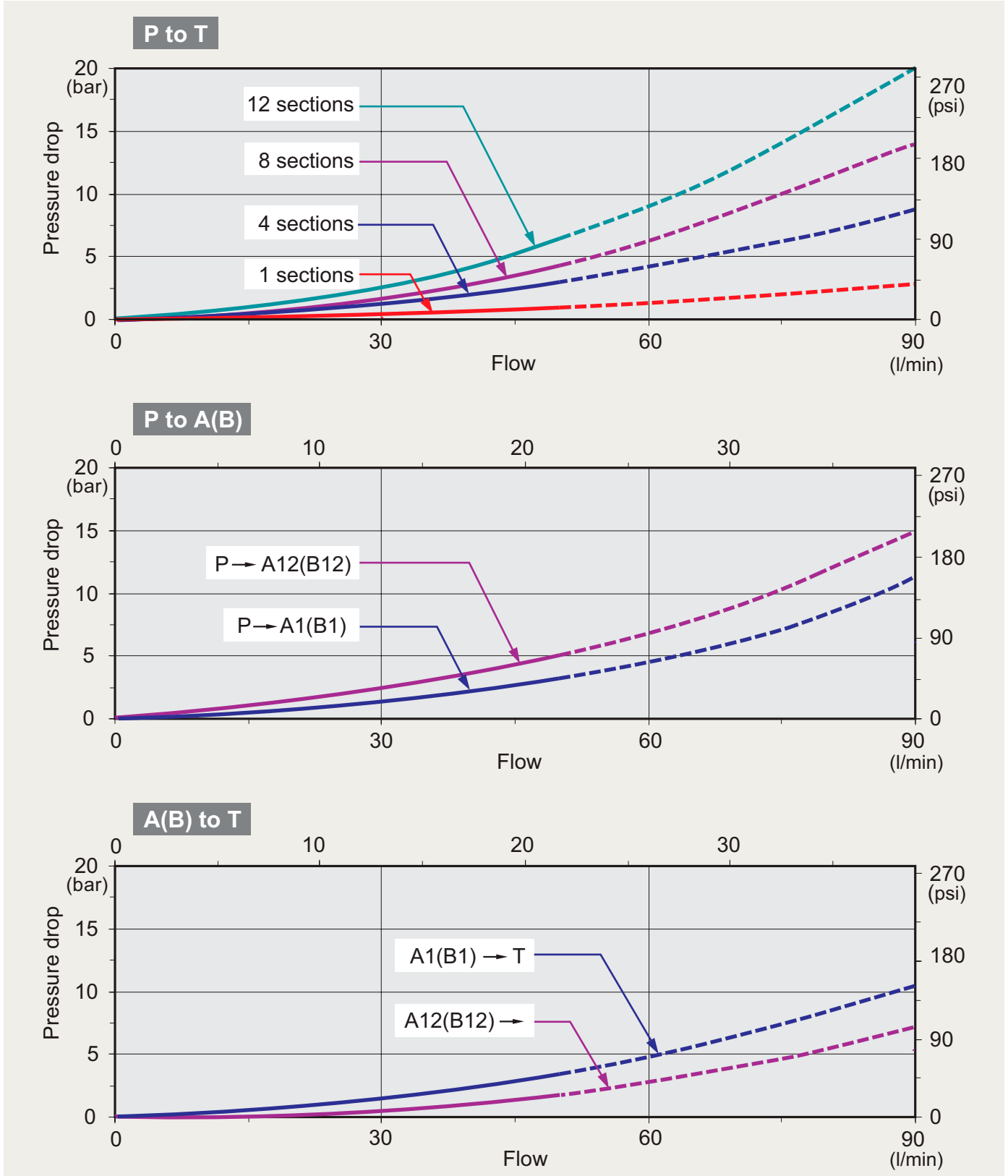
• G-3/8 : G3    G-1/2 : G4    G-3/4 : G6    G-1 : G8    G-1 1/4 : G10  
 • SAE 8: E8    SAE 10: E10    SAE 12: E12    SAE 16: E16    SAE 20: E20

### Standard dimensions

TYPE	X		Y		TYPE	X		Y	
	mm	in	mm	in		mm	in	mm	in
SN3 /1S	118.5	4.66	58	2.28	SN3 /7S	346.5	13.65	286	11.26
SN3 /2S	156.5	6.16	96	3.78	SN3 /8S	384.5	15.15	324	12.76
SN3 /3S	194.5	7.66	134	5.28	SN3 /9S	422.5	16.65	362	14.26
SN3 /4S	232.5	9.15	172	6.77	SN3 /10S	460.5	18.15	400	15.76
SN3 /5S	270.5	10.65	210	8.27	SN3 /11S	498.5	19.65	438	17.26
SN3 /6S	308.5	12.15	248	9.76	SN3 /12S	536.5	21.15	476	18.76

# HPSV-3 Performance Curve Chart

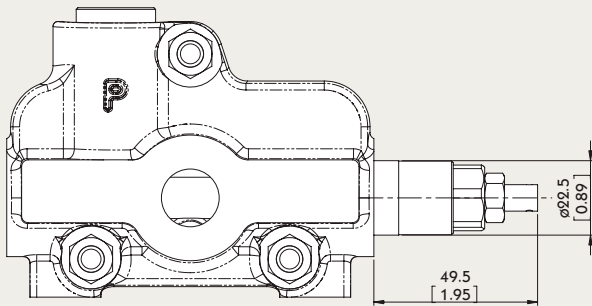
## Sectional Directional Control Valves



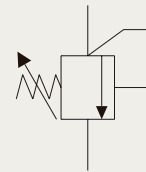


# HPSV-3 Inlet Relief (Optional) Sectional Directional Control Valves

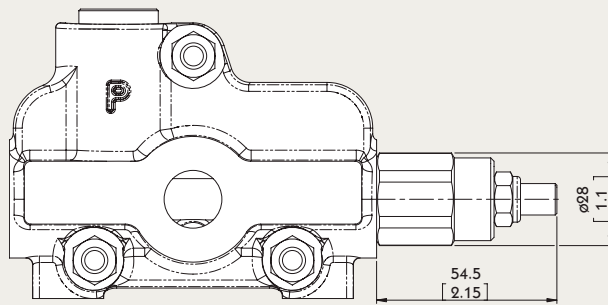
## Type YG



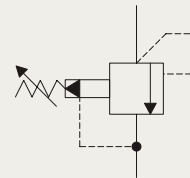
**Direct pressure relief valve:**



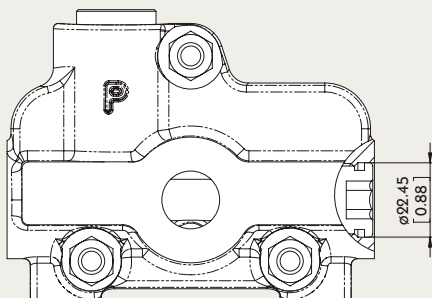
## Type XYG



**Pilot operated pressure relief valve:**



## Type SV



**Relief valve blanking plug:**



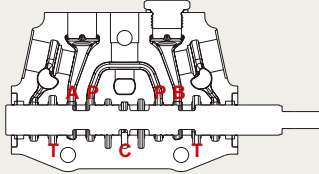
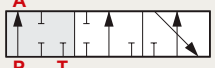
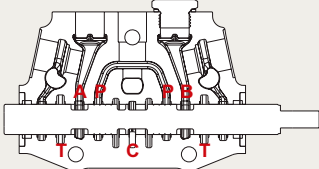

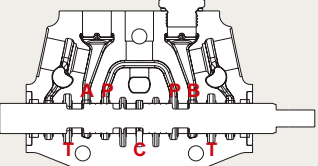
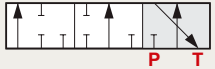
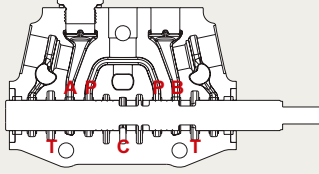
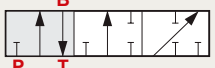
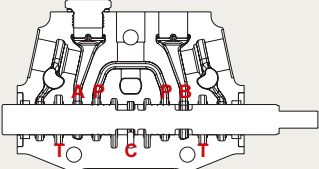
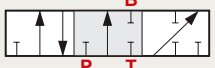
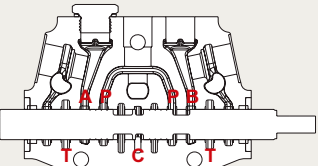
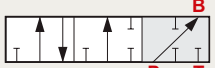


# HPSV-3 Spool Options

## Sectional Directional Control Valves

TYPE 1		
	<p>P → A</p> <p>B → T</p> <p>C closed</p>	<p>1 0 2</p>
	<p>P &amp; T &amp; A &amp; B closed</p> <p>C open</p>	<p>1 0 2</p>
	<p>P → B</p> <p>A → T</p> <p>C closed</p>	<p>1 0 2</p>
TYPE 2		
	<p>P → A</p> <p>B → T</p> <p>C closed</p>	<p>1 0 2</p>
	<p>A &amp; B → T</p> <p>P closed</p> <p>C open</p>	<p>1 0 2</p>
	<p>P → B</p> <p>A → T</p> <p>C closed</p>	<p>1 0 2</p>

## HPSV-3 Spool Options Sectional Directional Control Valves

TYPE 3		
	<p><b>P → A</b> <b>C closed</b></p>	<p><b>1 0 2</b> A P T "B" port plugged</p> 
	<p><b>P &amp; T &amp; A closed</b> <b>C open</b></p>	<p><b>1 0 2</b> A P T "B" port plugged</p> 
	<p><b>A → T</b> <b>C open</b></p>	<p><b>1 0 2</b> A P T "B" port plugged</p> 
TYPE 4		
	<p><b>B → T</b> <b>P closed</b> <b>C open</b></p>	<p><b>1 0 2</b> B P T "A" port plugged</p> 
	<p><b>P &amp; T &amp; B closed</b> <b>C open</b></p>	<p><b>1 0 2</b> B P T "A" port plugged</p> 
	<p><b>P → B</b> <b>C &amp; T closed</b></p>	<p><b>1 0 2</b> B P T "A" port plugged</p> 



# HPSV-3 Spool Options

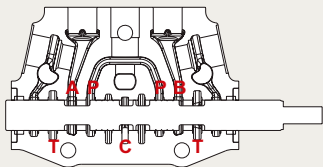
## Sectional Directional Control Valves

TYPE 5		
	<p><b>P</b> → <b>A</b></p> <p><b>B</b> → <b>T</b></p> <p><b>C closed</b></p>	
	<p><b>B</b> → <b>T</b></p> <p><b>P &amp; A closed</b></p> <p><b>C open</b></p>	
	<p><b>P</b> → <b>B</b></p> <p><b>A</b> → <b>T</b></p> <p><b>C closed</b></p>	
TYPE 6		
	<p><b>P</b> → <b>A</b></p> <p><b>B</b> → <b>T</b></p> <p><b>C closed</b></p>	
	<p><b>A</b> → <b>T</b></p> <p><b>P &amp; B closed</b></p> <p><b>C open</b></p>	
	<p><b>P</b> → <b>B</b></p> <p><b>A</b> → <b>T</b></p> <p><b>C closed</b></p>	

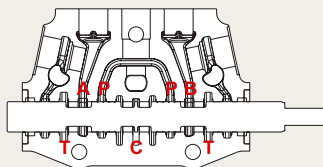
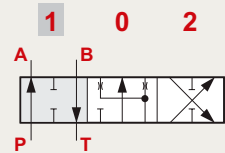


## HPSV-3 Spool Options Sectional Directional Control Valves

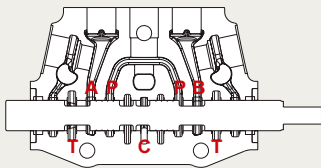
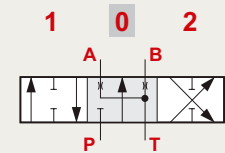
### TYPE 2H



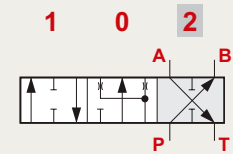
P → A  
B → T  
C closed



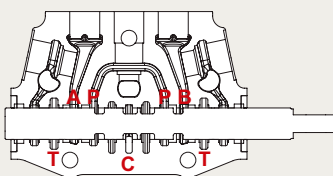
A & B → T  
P closed  
C open



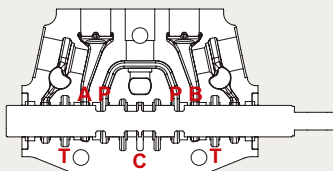
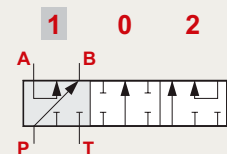
P → B  
A → T  
C closed



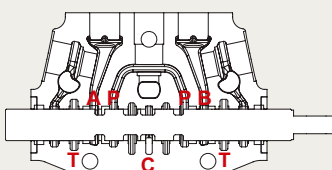
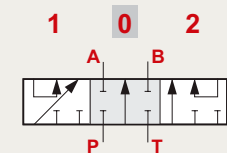
### TYPE 1S



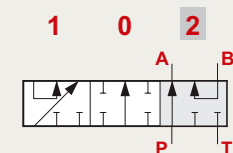
P → B  
A → C



P & T & A & B closed  
C open



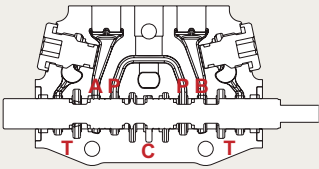
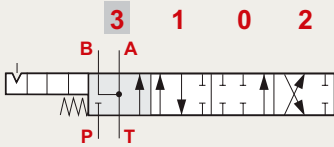
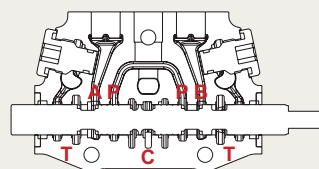
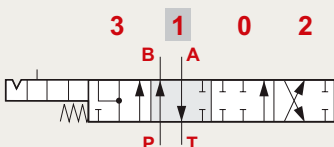
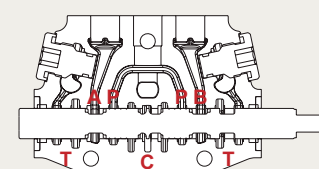
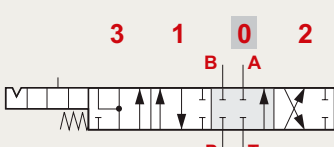
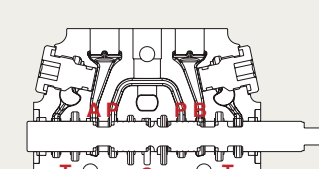
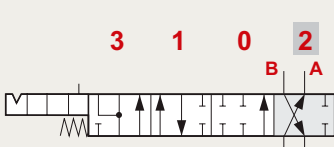
P → A  
B → C





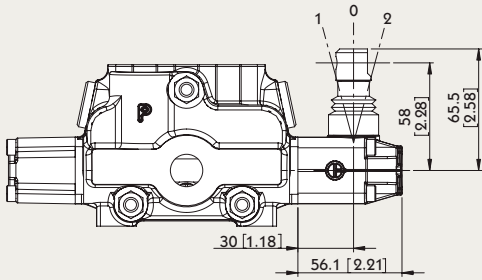
# HPSV-3 Spool Options

## Sectional Directional Control Valves

TYPE 5PY	NOTE: WITH SPECIAL BODY AND SPECIAL POSITIONNER	
	<p>A &amp; B → T P closed C open</p>	
	<p>P → A B → T C closed</p>	
	<p>P &amp; A &amp; B &amp; T closed C open</p>	
	<p>P → B A → T C closed</p>	

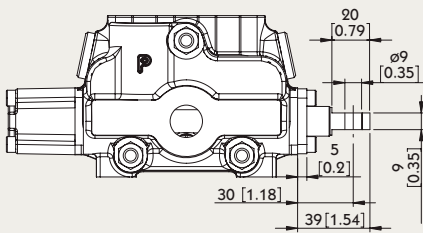
# HPSV-3 A Side Sectional Directional Control Valves

## Type L



**Type L:**  
STANDART LEVER KIT

## Type SLP

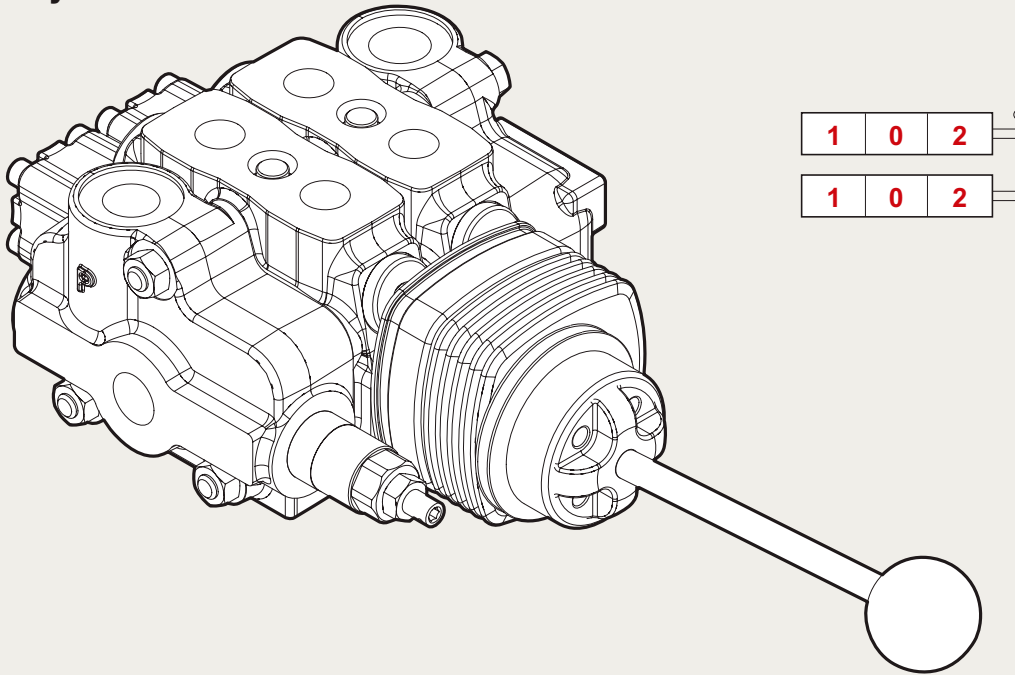


**Type SLP:**  
WITH DUST-PROOF PLATE



# HPSV-3 A Side Sectional Directional Control Valves

## LCB: Joystick control

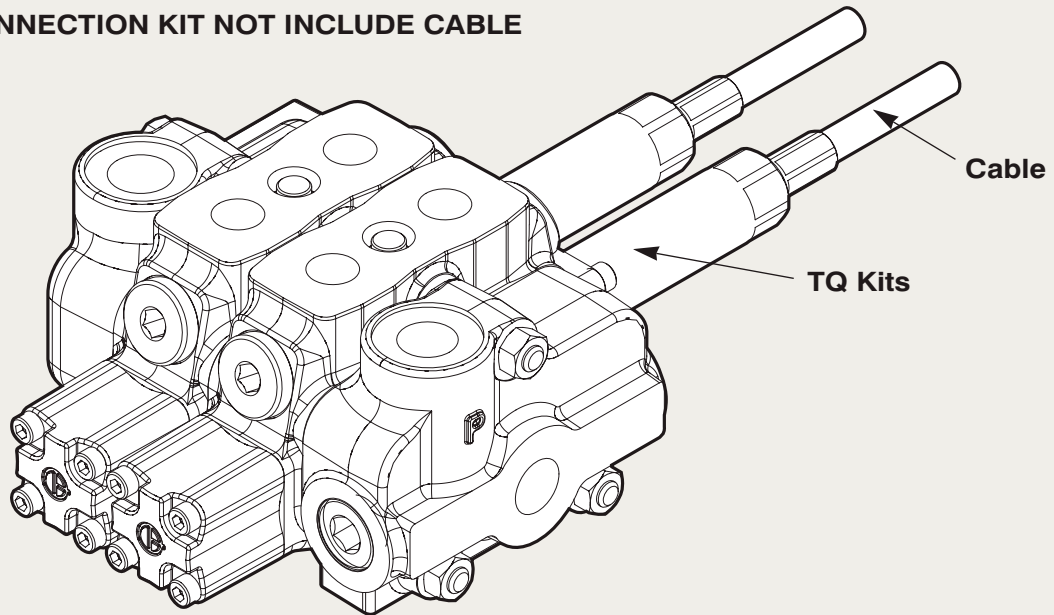


Type LCB	LCB1	LCB2
Type LCB	LCB3	LCB4

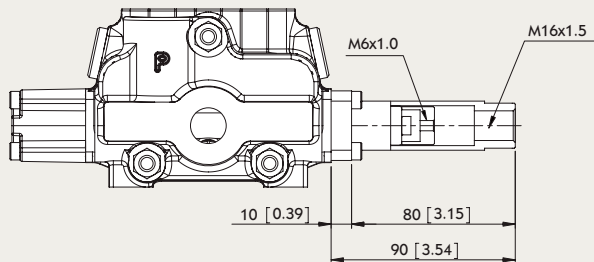


# HPSV-3 A Side Sectional Directional Control Valves

**Note : CONNECTION KIT NOT INCLUDE CABLE**



## Type TQ

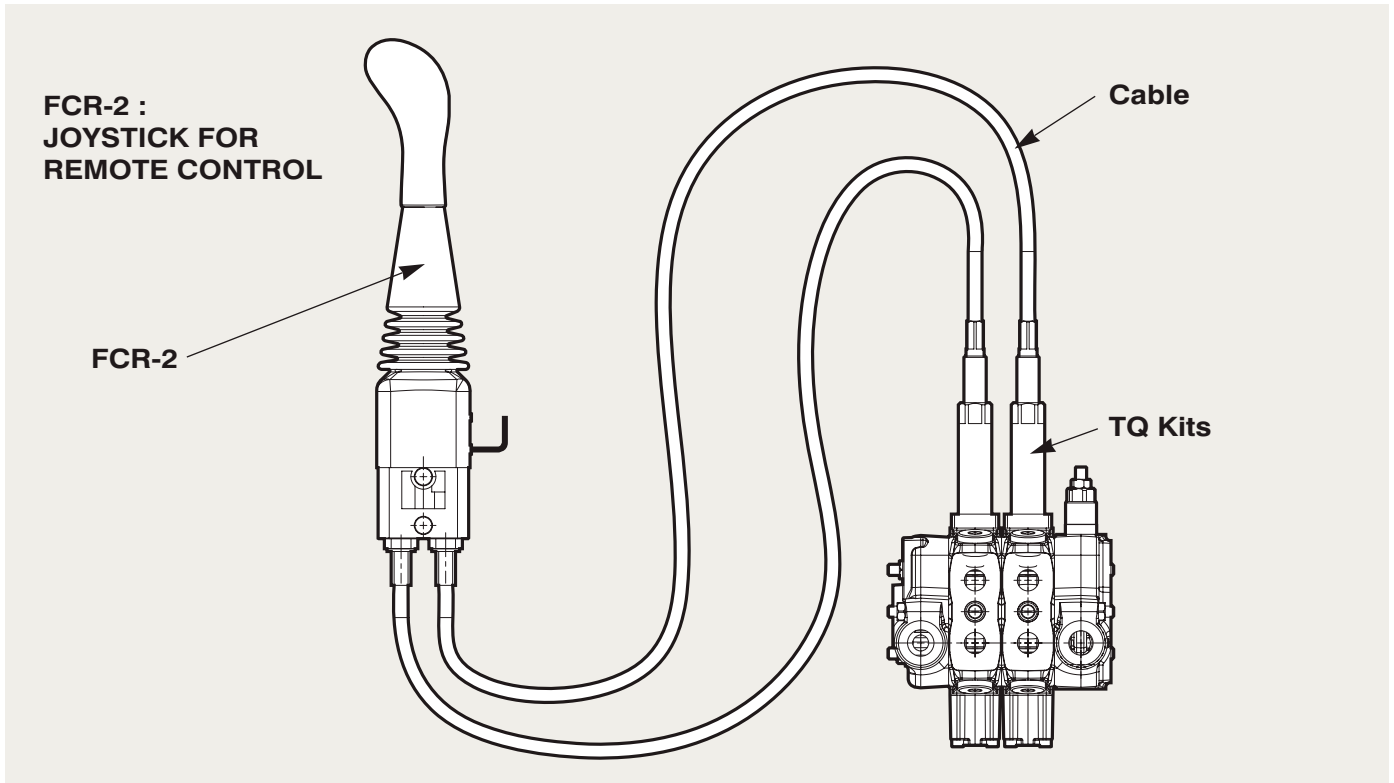


**TQ Kit:**

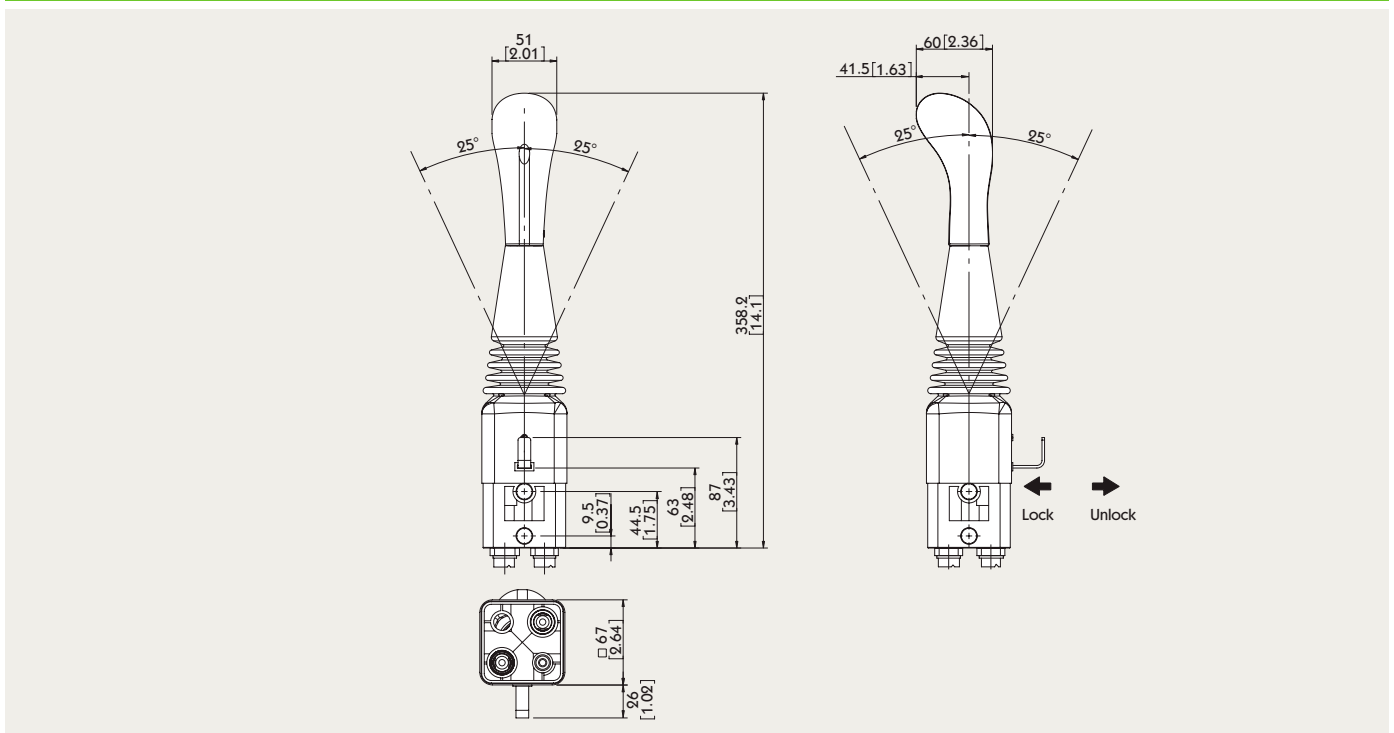




# HPSV-3 A Side Sectional Directional Control Valves

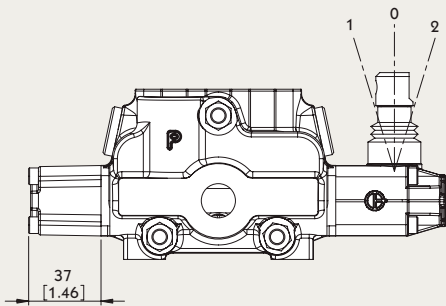


## Type FCR-2



# HPSV-3 B Side Sectional Directional Control Valves

## Type 6



**6-1 Kit:**

DETENT IN POS. 1-0-2, WITHOUT SPRING CENTERED



**6-2 Kit:**

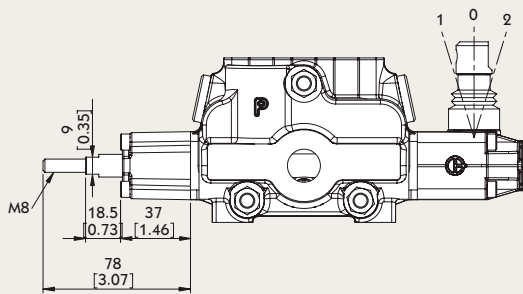
2 POSITIONS, DETENT IN POS. 0-2, WITHOUT SPRING CENTERED



**6-3 Kit:**

2 POSITIONS, DETENT IN POS. 1-0, WITHOUT SPRING CENTERED

## Type 8D2



**8D2 Kit:**

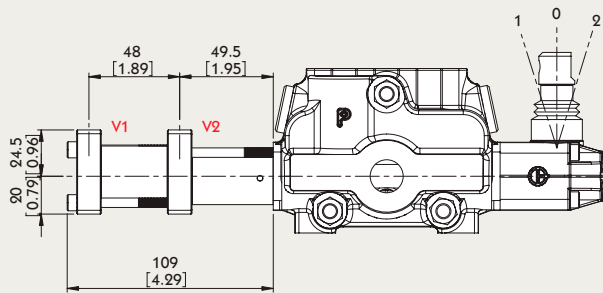
WITH SPRING RETURN TO NEUTRAL POSITION AND PIN WITH M8 MALE THREAD FOR DUAL CONTROL



# HPSV-3 B Side Sectional Directional Control Valves

## Type 8P

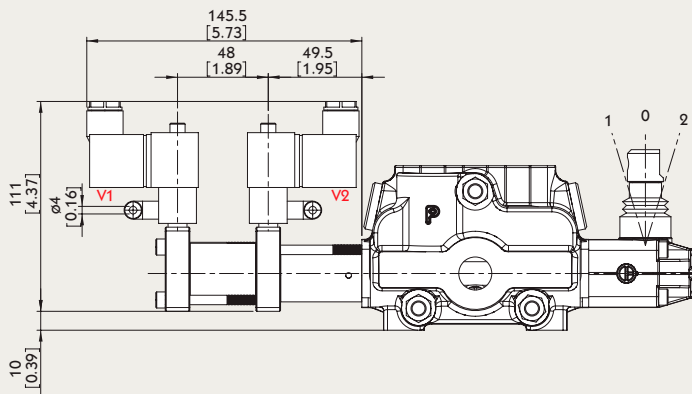
V1 & V2 : NPT 1/8 - 27



**Pilot pressure :** FROM 7 TO 10 BAR / 101 TO 145 PSI

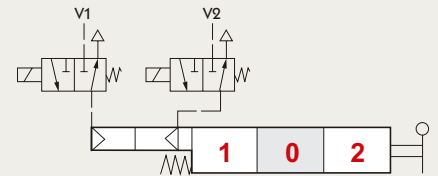


## Type 8EP3



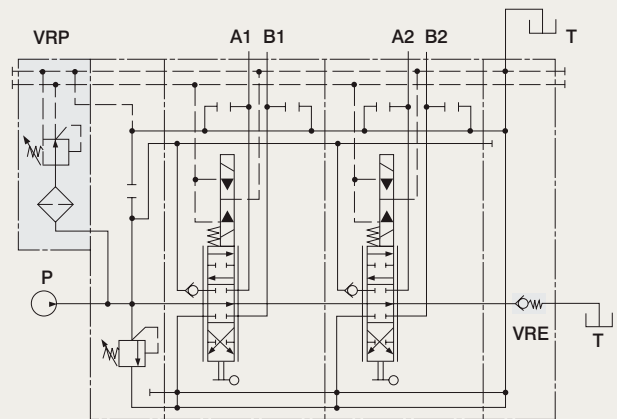
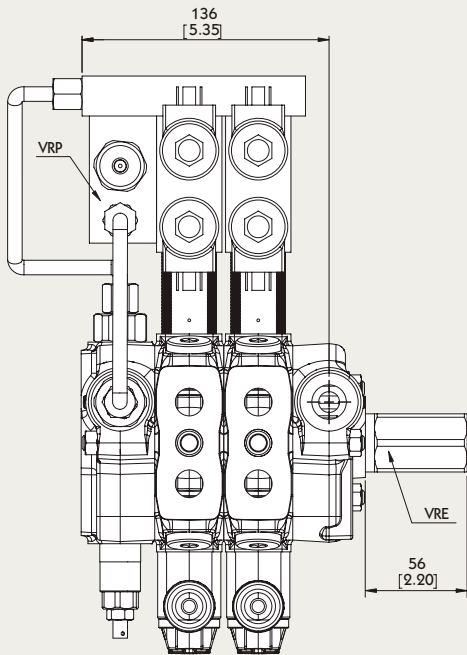
**Solenoid operating features :**

NOMINAL VOLTAGE: 24VDC  
NOMINAL VOLTAGE TOLERANCE: ±10%  
POWER RATING: 5W



## HPSV-3 B Side Sectional Directional Control Valves

### Type 8ED3

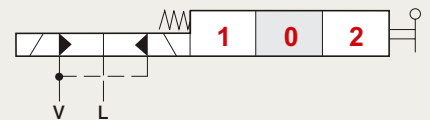
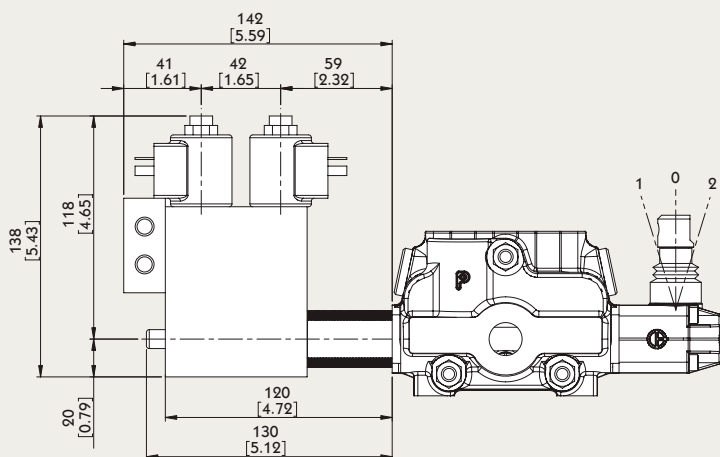


#### VRP valve operating features :

OUTLET PRESSURE: 25 BAR / 363 PSI

MAX. FLOW: 8 L/MIN / 2.1 US GPM

FLTERING: 80  $\mu$



#### Operating features :

PILOT PRESSURE: • MIN. 10 BAR / 145 PSI  
• MAX. 50 BAR / 725 PSI

MAX. BACKPRESSURE ON DRAIN L: 25 BAR / 360PSI

#### Solenoid operating features :

NOMINAL VOLTAGE: 12VDC / 24 VDC

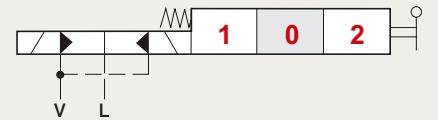
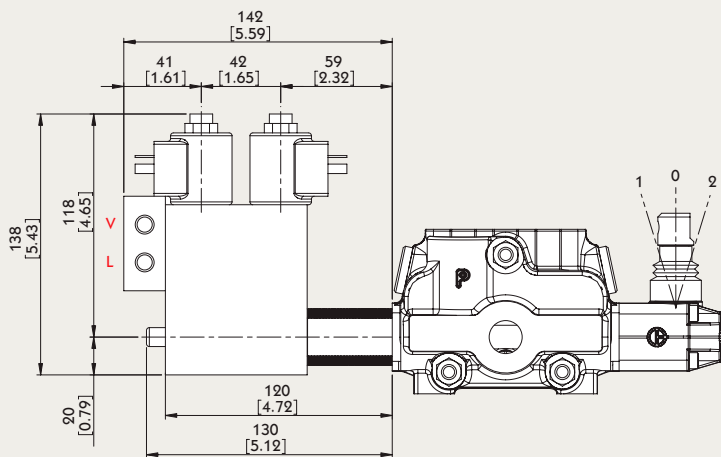
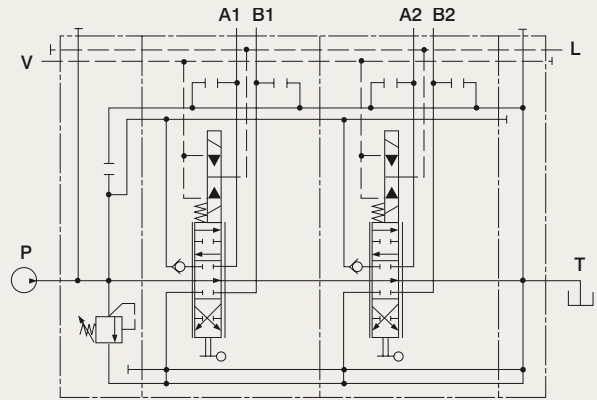
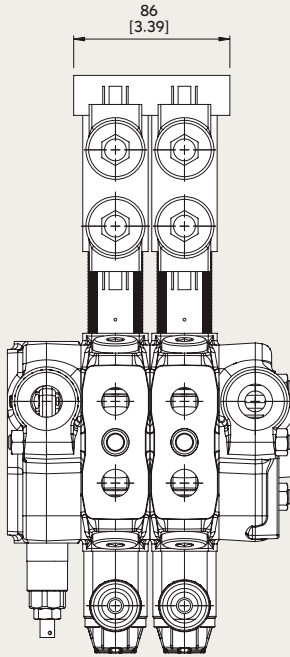
POWER RATING: 21 W

DUTY CYCLE: 100 %



# HPSV-3 B Side Sectional Directional Control Valves

## Type 8ER3



### Operating features :

PILOT PRESSURE: • MIN. 10 BAR / 145 PSI  
• MAX. 50 BAR / 725 PSI

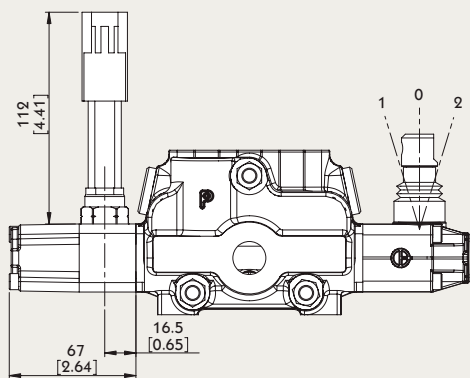
MAX. BACKPRESSURE ON DRAIN L: 25 BAR / 360PSI

### Solenoid operating features :

NOMINAL VOLTAGE: 12VDC / 24 VDC  
POWER RATING: 21 W  
DUTY CYCLE: 100 %

## HPSV-3 B Side Sectional Directional Control Valves

### Type 8MG

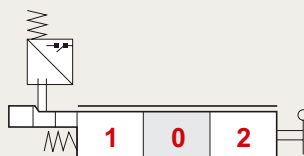


#### MICROSWITCH Operating features :

MECHANICAL LIFE: • 5X10<sup>5</sup> OPERATIONS

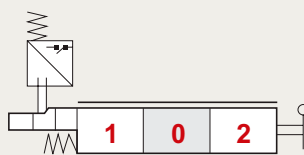
ELECTRICAL LIFE (RESISTIVE LOAD):

- 10<sup>5</sup> OPERATIONS - 7A / 13.5 VDC
- 5x10<sup>4</sup> OPERATIONS - 10A / 12 VDC
- 5x10<sup>4</sup> OPERATIONS - 3A / 28 VDC



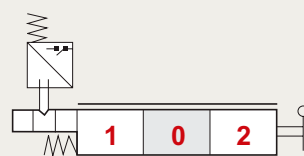
#### 8MG1 Kit:

MICROSWITCH WITH MALE/FEMALE CONNECTOR, OPERATED IN POS. 1



#### 8MG2 Kit:

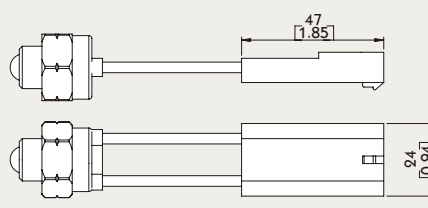
MICROSWITCH WITH MALE/FEMALE CONNECTOR, OPERATED IN POS. 2



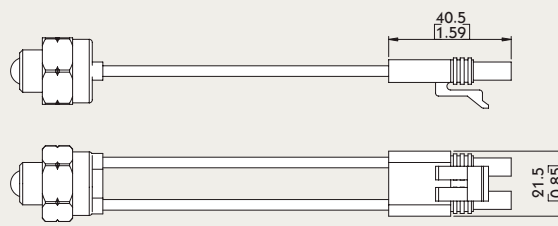
#### 8MG3 Kit:

MICROSWITCH WITH MALE/FEMALE CONNECTOR, OPERATED IN POS. 1 AND POS. 2

#### With NO contact (female connector with male end)



#### With NC contact (male connector with female end)





# HPSV-3 B Side Sectional Directional Control Valves

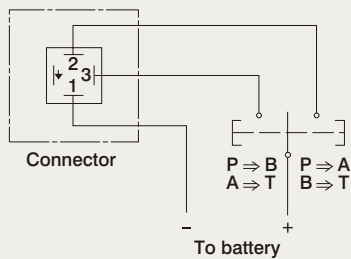
Type 8		
		<p><b>8 Kit:</b> SPRING RETURN TO NEUTRAL POSITION</p>
		<p><b>8-1 Kit:</b> SPRING RETURN TO NEUTRAL POSITION. (2 POSITIONS)</p>
		<p><b>8-2 Kit:</b> SPRING RETURN TO NEUTRAL POSITION. (2 POSITIONS)</p>

Type 9		
		<p><b>9-1 Kit:</b> DETENT IN POS. 1, 2 WITH SPRING CENTERED</p>
		<p><b>9-2 Kit:</b> DETENT IN POS. 2 WITH SPRING CENTERED</p>
		<p><b>9-3 Kit:</b> DETENT IN POS. 1 WITH SPRING CENTERED</p>



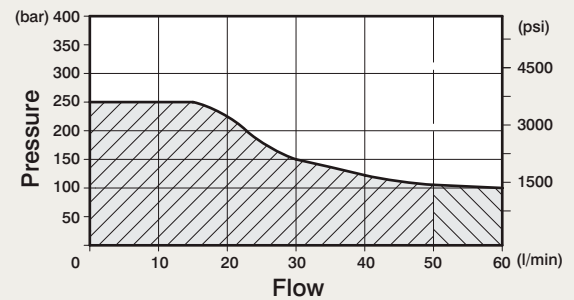
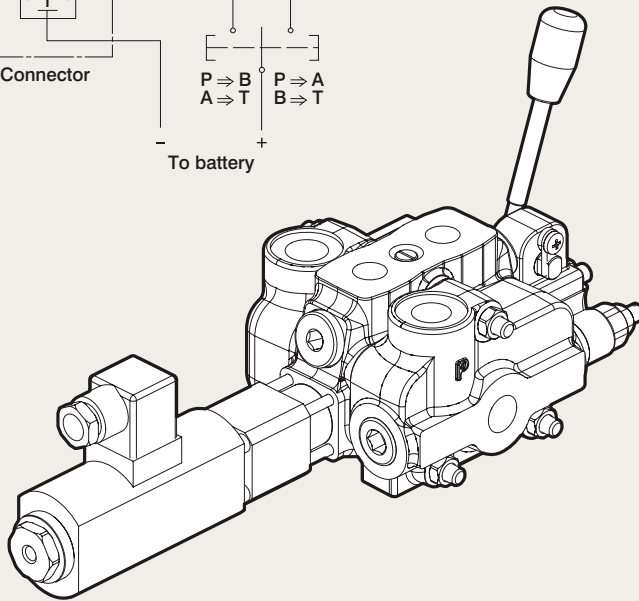
## HPSV-3 B Side (Optional controls) Sectional Directional Control Valves

### Electric wiring example



### Coil features :

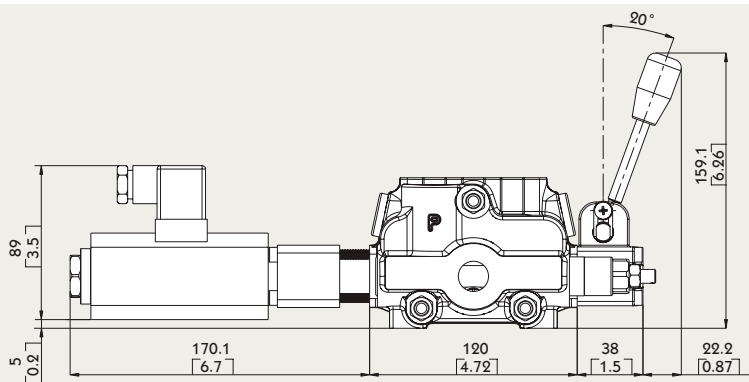
NOMINAL EL. POWER: 60 WATT  
LIMITS OF AMBIENT TEMPERATURE : -20°C +70°C  
STANDARD VOLTAGE: 12 - 24 VDC ( ±10%)



Nominal flow rating		50 L/min	13 US gpm
Operating pressure (Max.)		250 bar	3650 psi
Back pressure (Max.)	on outlet port T	5 bar	70 psi
Fluid temperature	with NBR seals	-20°C~80°C	-4°F~176°F
	with FPM seals	-20°C~100°C	-4°F~212°F
Viscosity	Operating range	15mm <sup>2</sup> /s~75mm <sup>2</sup> /s	15~75 cst
	Max.	400mm <sup>2</sup> /s	400 cst
	Min.	12mm <sup>2</sup> /s	12 cst
Ambient temperature		-40°C~60°C	-40°F~140°F
Internal Leakage A(B)->T	ΔP = 100bar at 40°C	10 cm <sup>3</sup> /min	0.61 in <sup>3</sup> /min

Available sections from 1 to 3 section

### Type 8ESN



### 8ESNLES Kit:



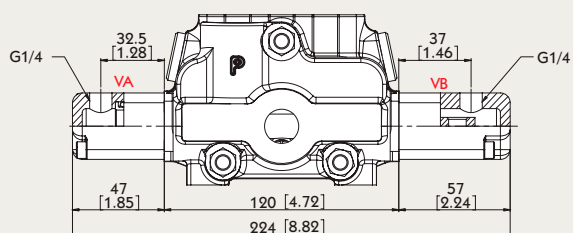
### 8ESNCAE Kit:





# HPSV-3 B Side (Optional controls) Sectional Directional Control Valves

## Type 81M

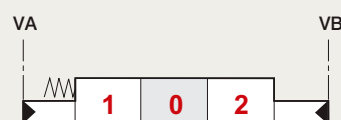


### Operating features :

PILOT PRESSURE : MAX. 50 BAR

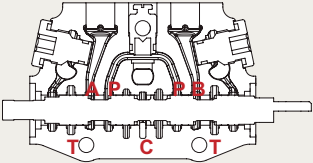
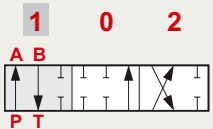
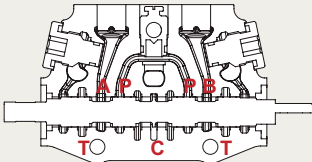
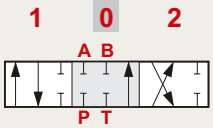
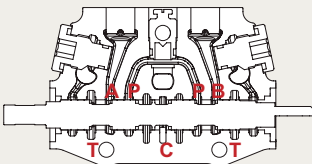
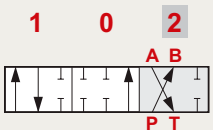
INTERNAL LEAKAGE A(B) -> T : MAX. 6 CM<sup>3</sup>/MIN

(100 BAR / 40°C)

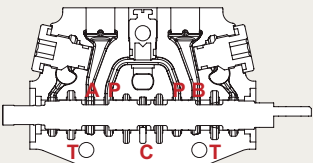
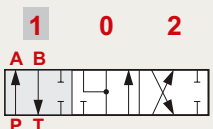
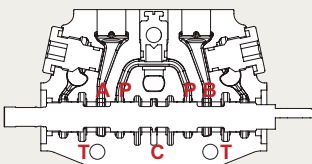
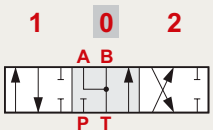
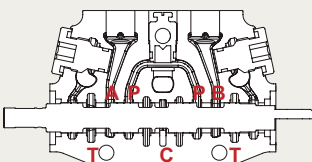
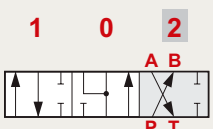


## HPSV-3 Special spool (Options for 8ESN Kit) Sectional Directional Control Valves

### Type 8ESN#1 (CODE: YLWSN32001-8ESN)

	<p>P → A B → T C closed</p>	
	<p>A &amp; B &amp; P &amp; T closed C open</p>	
	<p>P → B A → T C closed</p>	

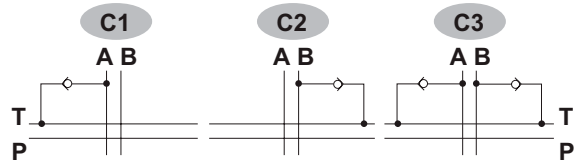
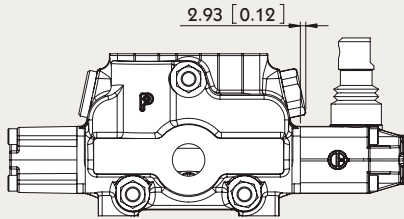
### Type 8ESN#2 (CODE: YLWSN32002-8ESN)

	<p>P → A B → T C closed</p>	
	<p>A &amp; B → T P closed C open</p>	
	<p>P → B A → T C closed</p>	

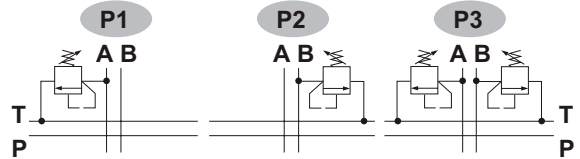
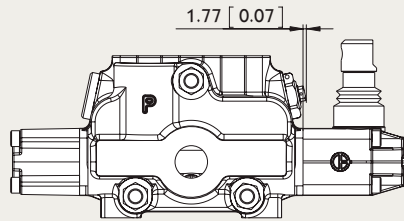


# HPSV-3 Port Relief Sectional Directional Control Valves

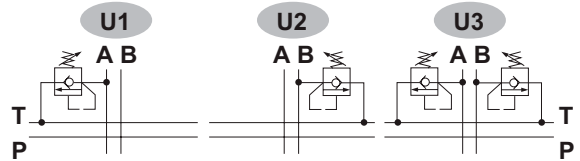
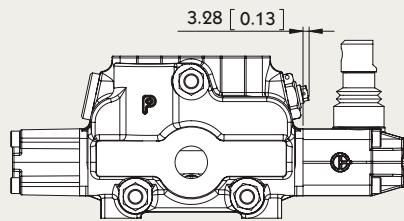
## TYPE C



## TYPE P



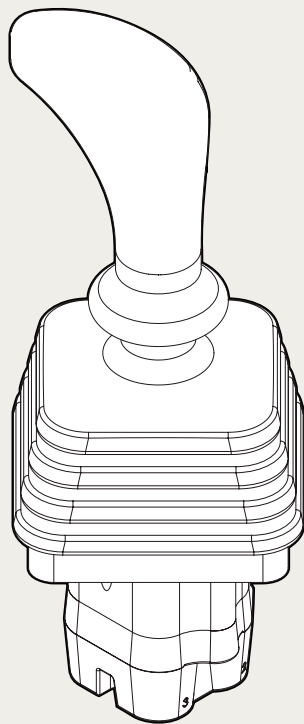
## TYPE U



# HPSV-3 Accessories

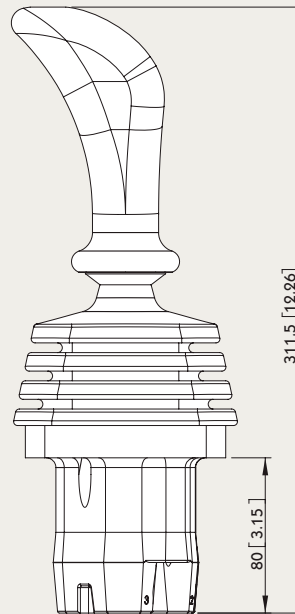
## Sectional Directional Control Valves

**Type JHP-2**

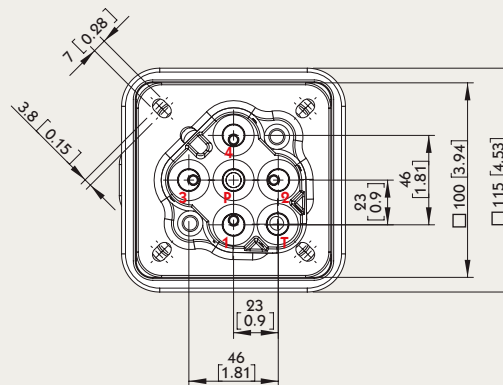
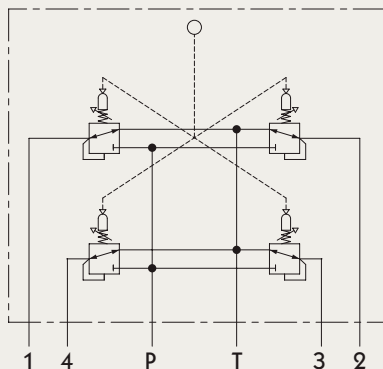


**Specifications:**

- This data sheet shows technical spec. with mineral oil of 46 mm<sup>2</sup>/s (cSt) viscosity at 40 °C (104 °F)
- Flow : 5 ~ 20 LPM
- Feeding pressure : 30 ~ 100 bar
- Max. backpressure : 3 bar
- Internal leakage at 30 bar : 10 ~ 18 cm<sup>3</sup>/min
- Fluid : mineral oil
- Fluid temperature : - 10 ~ 80 °C
- Ambient temperature : - 40 ~ 60 °C



**HYDRAULIC SCHEME:**





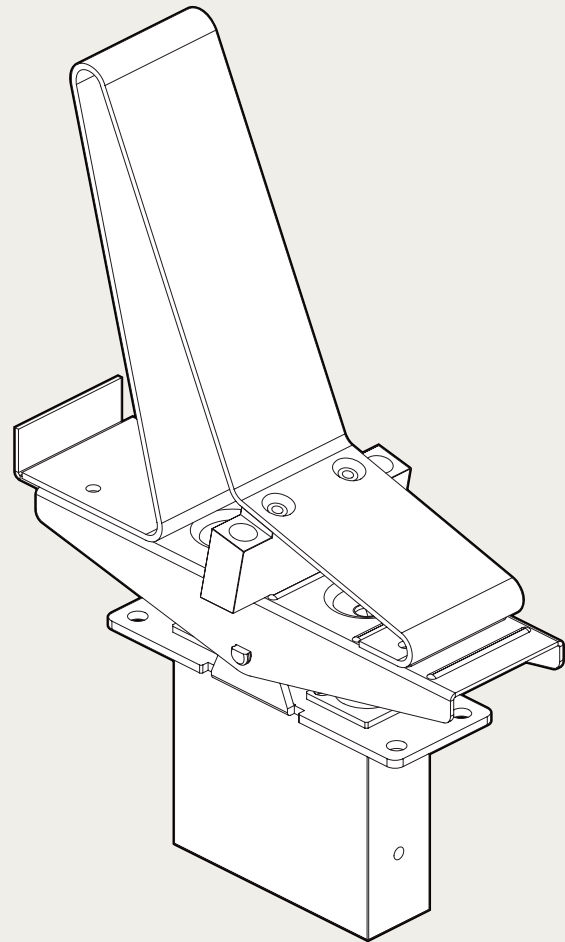
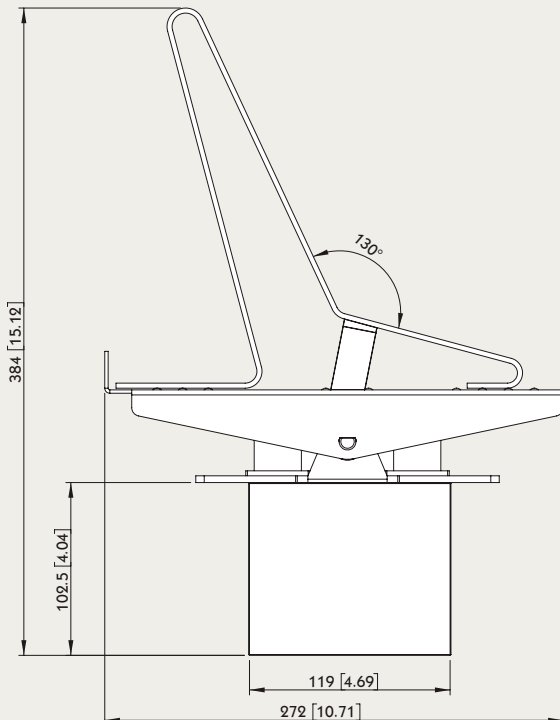
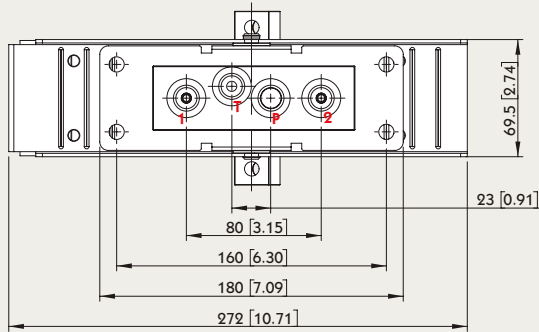
# HPSV-3 Accessories

## Sectional Directional Control Valves

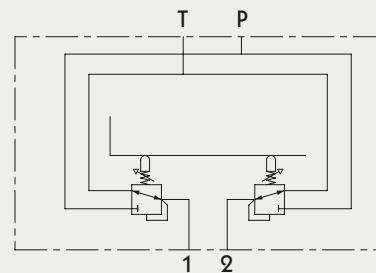
### Type PHP-1

#### Specifications:

- This data sheet shows technical spec. with mineral oil of 46 mm<sup>2</sup>/s (cSt) viscosity at 40°C (104°F)
- Flow : 5 ~ 20 LPM
- Feeding pressure : 30 ~ 100 bar
- Max. backpressure : 3 bar
- Internal leakage at 30 bar : 10 ~ 18 cm<sup>3</sup>/min
- Fluid : mineral oil
- Fluid temperature : - 10 ~ 80°C
- Ambient temperature : - 40 ~ 60°C

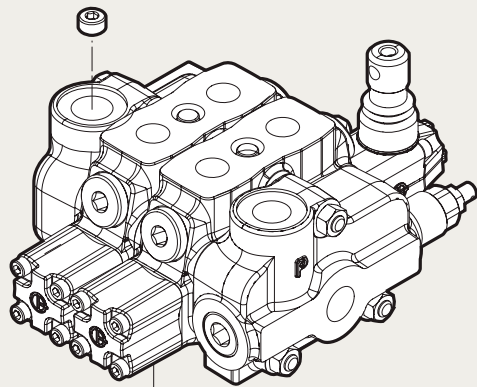


#### HYDRAULIC SCHEME:

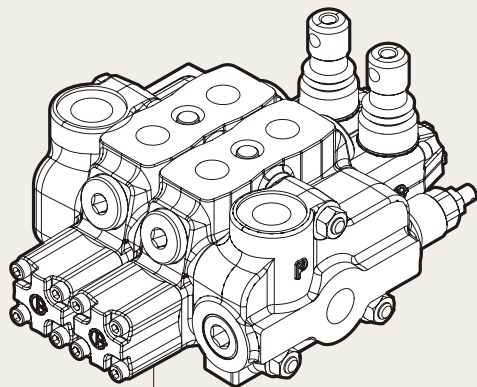
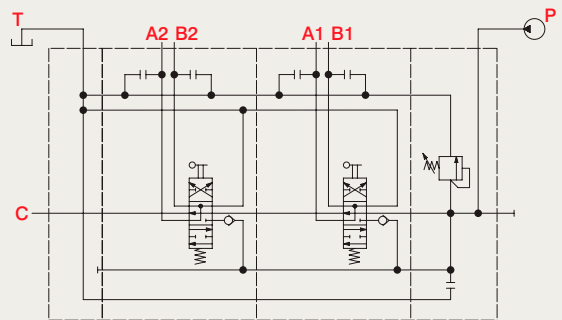


# HPSV-3 Outlet Sectional Directional Control Valves

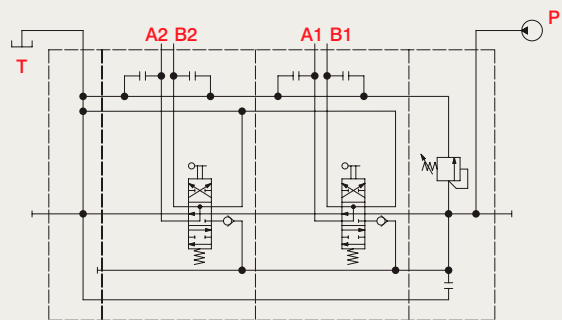
Power Beyond Conversion plug  
(Closed center plug)



**M8**



**M3**



## CENTRALA ELBLĄG

Ul. Rawska 19B  
82-300 Elbląg

tel. /+48/ 55 625 51 00

fax /+48/ 55 625 51 01

### Dział Handlowy

tel. /+48/ 55 625 51 51

elblag@hydropress.pl



[www.hydropress.pl](http://www.hydropress.pl)

### ODDZIAŁ GDAŃSK

tel. /+48/ 55 625 51 21

fax /+48/ 55 625 51 22

### ODDZIAŁ RUMIA

tel. /+48/ 58 679 34 15

fax /+48/ 55 625 51 25

### ODDZIAŁ TYCHY

tel. /+48/ 32 787 52 88

fax /+48/ 55 625 51 38

### ODDZIAŁ OLSZTYN

tel. /+48/ 89 532 01 05

fax /+48/ 89 715 21 42

### ODDZIAŁ WARSZAWA

tel. /+48/ 22 468 86 97

fax /+48/ 55 625 51 32

### BIURO HANDLOWE WROCŁAW

tel. /+48/ 782 838 000

fax /+48/ 55 625 51 35

### BIURO HANDLOWE KIELCE

tel. /+48/ 885 995 501

fax /+48/ 55 625 51 01

### BIURO HANDLOWE KRAKÓW

tel. /+48/ 885 995 019

fax /+48/ 55 625 51 01

### BIURO HANDLOWE OPOLE

tel. /+48/ 885 995 011

fax /+48/ 55 625 51 01

### BIURO HANDLOWE BYDGOSZCZ

tel. /+48/ 790 222 771

fax /+48/ 55 625 51 01