



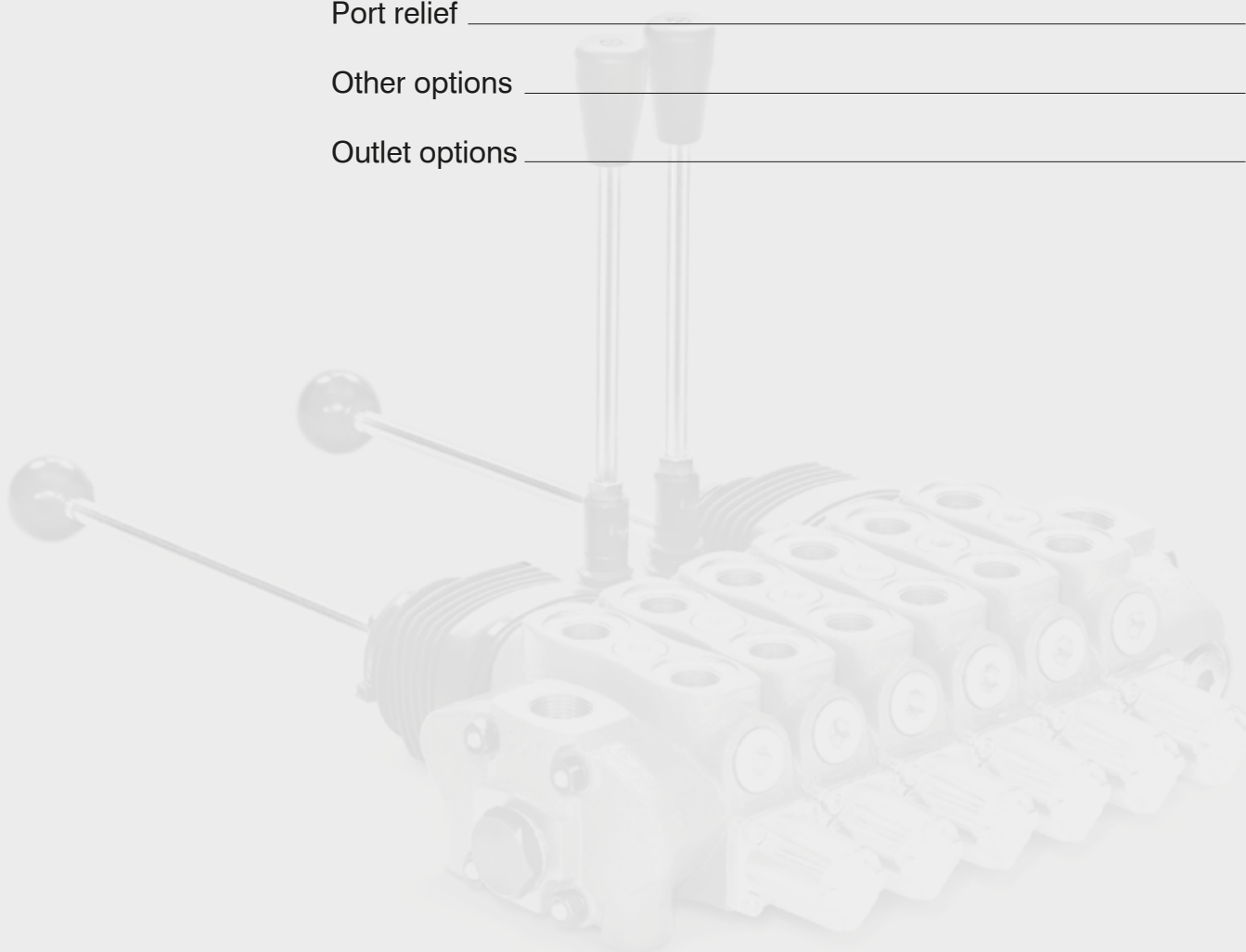
HP SV - 4

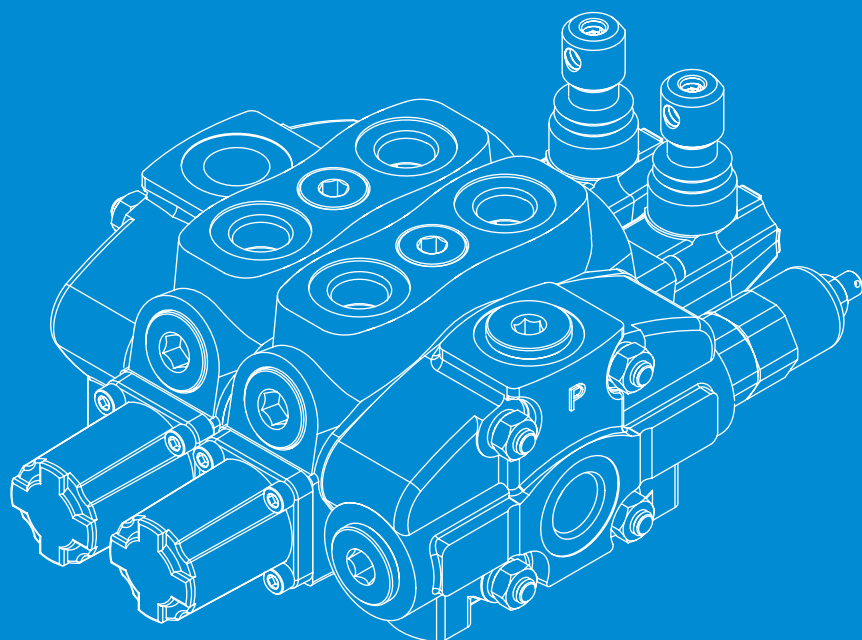
ROZDZIELACZE MONOBLOKOWE

HPSV-4

Sectional Directional Control Valves

Dimension / Spec	P.5
Ordering code	P.7
Performance data	P.12
Inlet relief options	P.13
Spool options	P.15
A side options	P.19
B side spool positioners	P.24
Port relief	P.31
Other options	P.32
Outlet options	P.36





Innovative Designs
Professional Quality
Customer Satisfaction !

AVAILABLE SECTIONS FROM

1 TO 12

HPSV-4

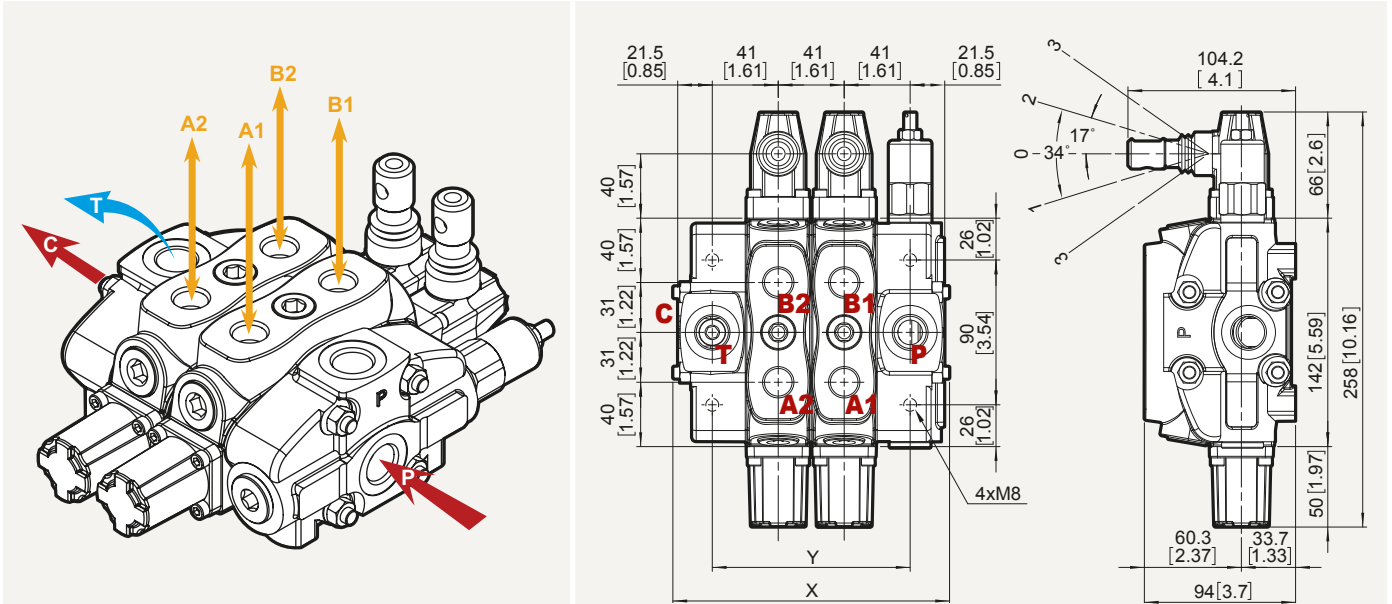
Sectional Directional Control Valves



MobiTec

HPSV-4

Sectional Directional Control Valves



Specifications

Nominal flow		80 l/min	21 US gpm
Operating pressure (maximum)		315 bar	4600 psi
Back pressure (maximum)	on outlet port T	25 bar	360 psi
Fluid temperature range	with NBR (BUNA-N) seals	from - 20° to 80°C	from - 4° to 176° F
	with FPM (VITON) seal	from - 20° to 100°C	from - 4° to 212° F
	operating range	from 15 to 75 mm ² /s	from 15 to 75 cst
Viscosity	min	12 mm ² /s	12 cst
	max.	400 mm ² /s	400 cst
	Ambient temperature range	from - 40° to 60°C	from - 40° to 140° F

• All specifications, dimensions and design characteristics shown in this catalogue are subject to change without notice.

Standard threads

PORTS	Inlet P and carry-over C	A and B	Outlet T	PILOT PORTS	Hydraulic	Pneumatic
BSP	G1/2	G1/2	G3/4	BSP	G1/4	NPTF 1/8-27
UN-UNF	7/8-14 UNF-2B (SAE 10)	3/4-16 UNF-2B (SAE 8)	7/8-14 UNF-2B (SAE 10)	UN-UNF	9/16-18 UNF-2B (SAE 6)	NPTF 1/8-27
METRIC	M22 x 1.5	M22 x 1.5	M22 x 1.5	METRIC	G1/4	NPTF 1/8-27

• G-3/8 : G3 G-1/2 : G4 G-3/4 : G6 G-1 : G8 G-1 1/4 : G10 • SAE 8: E8 SAE 10: E10 SAE 12: E12 SAE 16: E16 SAE 20: E20

Standard dimensions

TYPE	X		Y		TYPE	X		Y	
	mm	in	mm	in		mm	in	mm	in
SN4 /1S	128	5.04	82	3.23	SN4 /7S	374	14.72	328	12.91
SN4 /2S	169	6.65	123	4.84	SN4 /8S	415	16.33	369	14.52
SN4 /3S	210	8.27	164	6.46	SN4 /9S	456	17.94	410	16.13
SN4 /4S	251	9.88	205	8.07	SN4 /10S	497	19.55	451	17.74
SN4 /5S	292	11.5	246	9.69	SN4 /11S	538	21.16	492	19.35
SN4 /6S	333	13.11	267	11.3	SN4 /12S	579	22.77	533	20.96

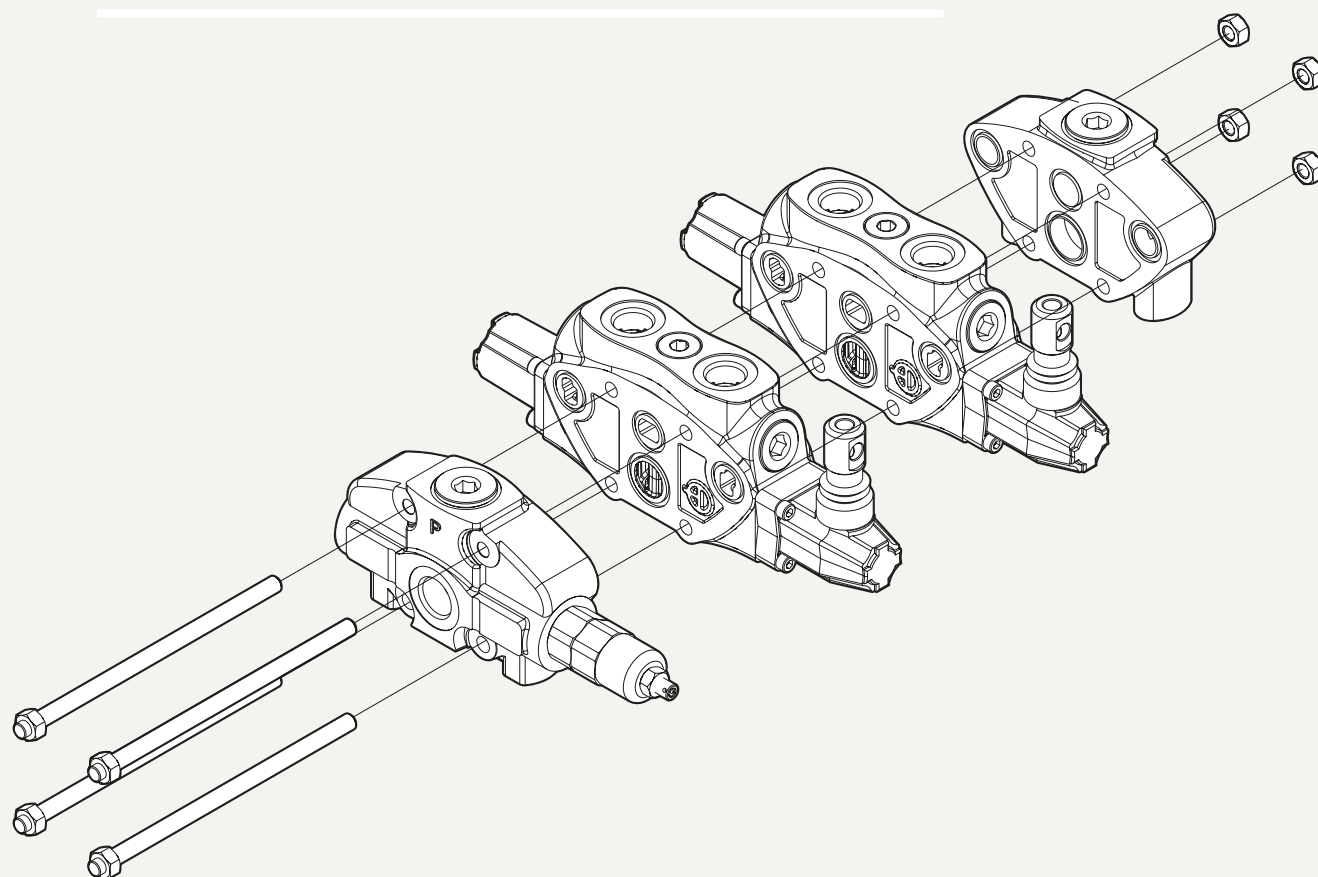
HPSV-4 Complete

Sectional Directional Control Valves

HOW TO ORDER FOR A COMPLETE ASSEMBLED VALVE

HPSV-4 / 2S - 3 / 18L / 28L / G-4-6 / M3

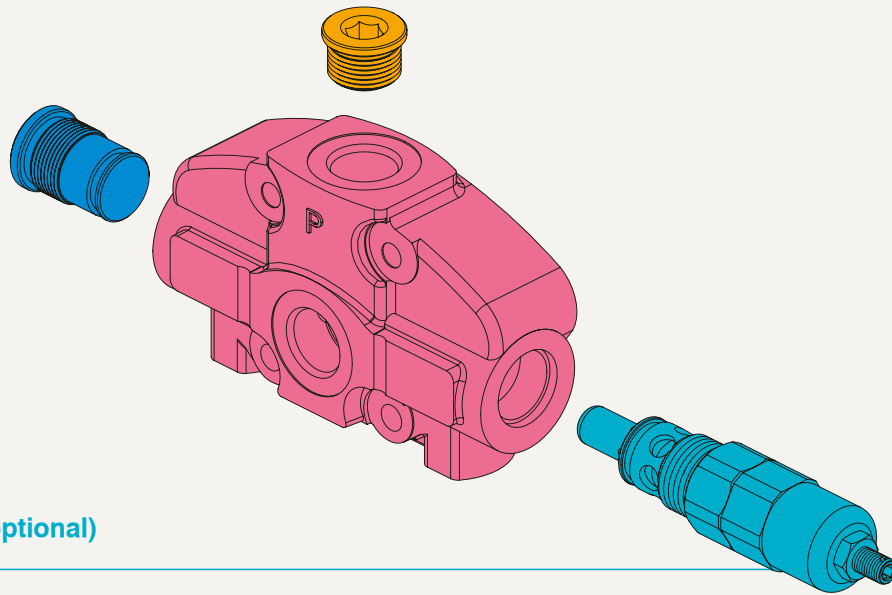
2S	No. of working section
3	Inlet cover with a main pressure relief valve
18L	1st section (complete working section)
28L	Following section (complete working section)
G-4-6	BSP ports
M3	Outlet cover



HPSV-4 Inlet Section

Sectional Directional Control Valves

EW HPSV-4 / SG-3 / G4



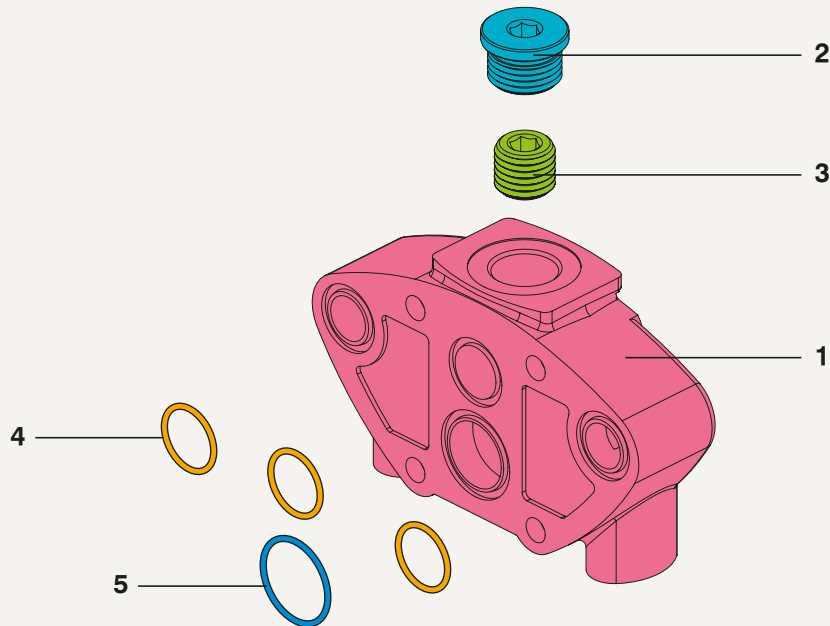
Inlet relief (optional)

Inlet Relief (optional)			
TYPE	CODE	DESCRIPTION	PAGE
SG-2	YLPSN43002	Range 80 to 160 bar / 1150 to 2300 psi , standard setting 125 bar / 1800 psi	P. 13
SG-3	YLPSN43003	Range 125 to 250 bar / 1800 to 3600 psi , standard setting 175 bar / 2500 psi	P. 13
SG-4	YLPSN43004	Range 200 to 315bar / 2900 to 4600 psi , standard setting 220 bar / 3200 psi	P. 13
		Standard setting is referred to 10 l/min - 2.6 US gpm flow.	P. 13
XSG	YLX21000	Pilot operated pressure relief valve Range 25 to 315 bar/ 360 to 4600 psi, standard setting 125 bar/ 1800 psi	P. 13
SV	YLPSN44000	Relief valve blanking plug	P. 14
R4	YLPSN440R4	Manual rotary backhoe clamp device	P. 14

HPSV-4 Outlet Section

Sectional Directional Control Valves

EW HPSV-4 / G-6 / M3



Outlet section		
NO.	NAME OF PARTS	Q
1	Outlet cover body	1
2	Plug	1
3	M18x1.5 Plug	1

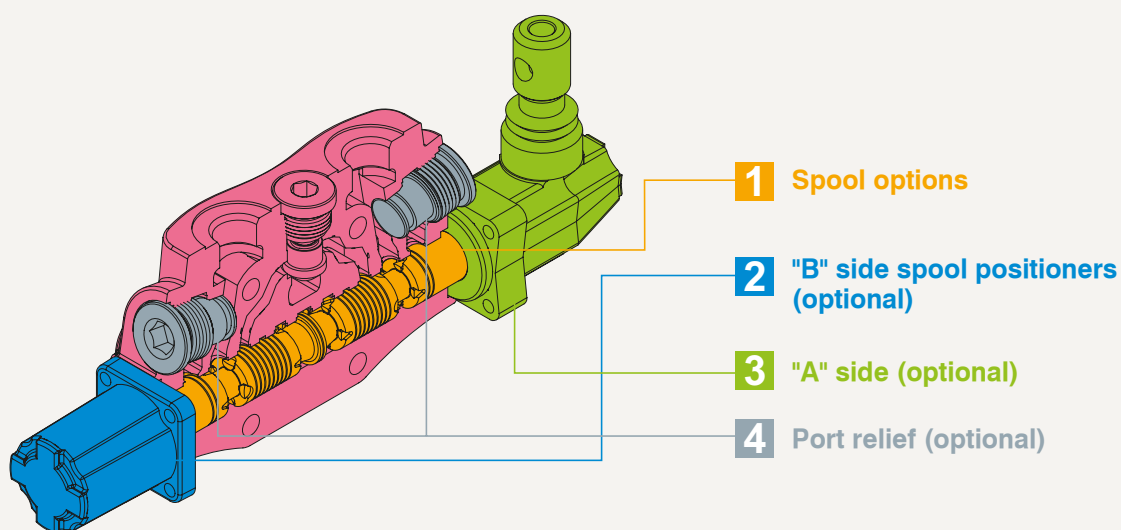
Outlet section		
NO.	NAME OF PARTS	Q
4	O-ring seal (18.77 x 1.78 NBR 70 SH)	3
5	O-ring seal (25.12 x 1.78 NBR 70 SH)	1

HPSV-4 Working Section

Sectional Directional Control Valves

EW HPSV-4 / 1S / **1 8 L** / **P1(G3-100)** / G-4

1 2 3 4



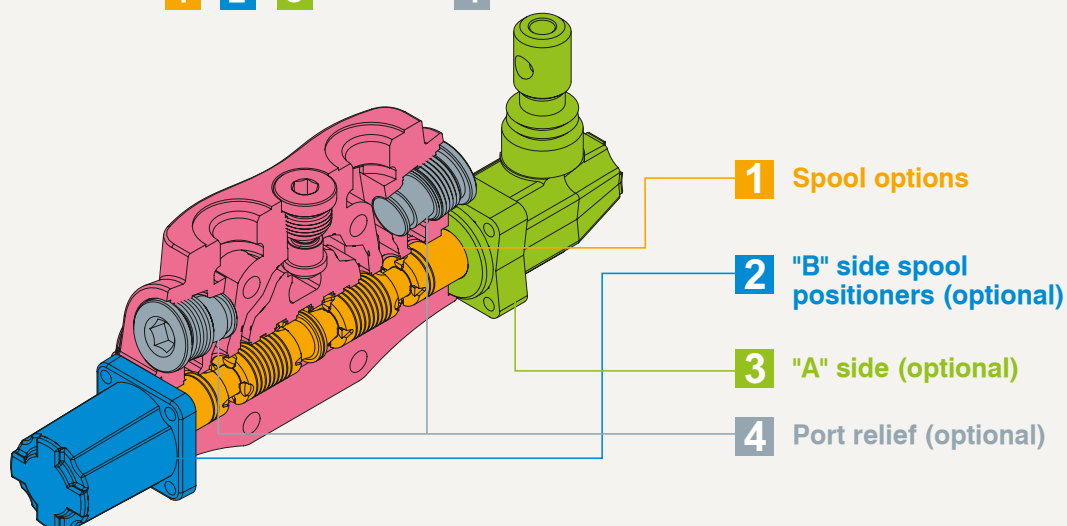
1: Spool options			
TYPE	CODE	DESCRIPTION	PAGE
1	YLWSN42001	Double acting, 3 positions, with A and B closed in neutral position	P. 15
2	YLWSN42002	Double acting, 3 positions, with A and B open to tank in neutral position	P. 15
3	YLWSN42003	Single acting on A closed in neutral position, 3 positions, B plugged	P. 16
4	YLWSN42004	Single acting on B closed in neutral position, 3 positions, A plugged	P. 16
5	YLWSN42005	Double acting, 3 positions, with B open to Tank in neutral position	P. 17
6	YLWSN42006	Double acting, 3 positions, with A open to Tank in neutral position	P. 17
5PY	YLWSN43051	Double acting, 4 positions, floating circuit in 4th position with A, B open to Tank by pushing the lever	P. 18

HPSV-4

Sectional Directional Control Valves

EW HPSV-4 / 1S / **1 8 L** / P1(G3-100) / G-4

1 2 3 **4**



2: B Side Spool Positioners

TYPE	CODE	DESCRIPTION	PAGE
6-1	YLWSN43061	Detent in pos. 1-0-2, without spring centered	P. 24
6-2	YLWSN43062	2 positions, detent in pos. 0-2, without spring centered	P. 24
6-3	YLWSN43063	2 positions, detent in pos. 1-0, without spring centered	P. 24
8D2	YLWSN43082	With spring return to neutral position and pin with M8 male thread for dual control	P. 24
8P	YLWSN43080	ON/OFF Pneumatic actuator	P. 25
8EP3	YLWSN44300	ON/OFF Electro-Pneumatic actuator	P. 25
8MG1 (NO)	YLWSN43801	Microswitch kit operated in pos. 1 (Normally Open)	P. 28
8MG2 (NO)	YLWSN43802	Microswitch kit operated in pos. 2 (Normally Open)	P. 28
8MG3 (NO)	YLWSN43803	Microswitch kit operated in pos. 1&2 (Normally Open)	P. 28
MG (NO)	YLWSN43804	Microswitch with NO terminal	P. 28
8MG1 (NC)	YLWSN438011	Microswitch kit operated in pos. 1 (Normally Closed)	P. 28
8MG2 (NC)	YLWSN438021	Microswitch kit operated in pos. 2 (Normally Closed)	P. 28
8MG3 (NC)	YLWSN438031	Microswitch kit operated in pos. 1&2 (Normally Closed)	P. 28
MG (NC)	YLWSN438041	Microswitch with NC terminal	P. 28
8	YLWSN43008	With spring return to neutral position	P. 29
8-1	YLWSN44081	2 positions, with spring centered from pos. 1	P. 29
8-2	YLWSN44082	2 positions, with spring centered from pos. 2	P. 29
9-1	YLWSN43091	Detent in pos. 1, 2 with spring centered	P. 30
9-2	YLWSN43092	Detent in pos. 2 with spring centered	P. 30
9-3	YLWSN43093	Detent in pos. 1 with spring centered	P. 30
8IJ1	YLWSN43071	External hydraulic pilot for return from position 1 to neutral.	P. 29
8IJ2	YLWSN43072	External hydraulic pilot for return from position 2 to neutral.	P. 29
8IJ3	YLWSN43073	External hydraulic pilot for return from position 1 & 2 to neutral.	P. 29
8IM	YLWSN430810	Hydraulic pilot with single spring, exclusive for standard spool (Type 1 & 2).	P. 30
8IMM	YLWSN430811	Hydraulic pilot with dual springs, exclusive for specialized spool.	P. 30



2: B Side Spool Positioners

TYPE	CODE	DESCRIPTION	PAGE
8ED3+RV-KE1R3	YLWSN43201	1S: ON/OFF Electro-Hydraulic control kit with pilot and drain line+backpressure valve (12/24 VDC)	P. 26
8ED3+RV-KE2R3	YLWSN43202	2S: ON/OFF Electro-Hydraulic control kit with pilot and drain line+backpressure valve (12/24 VDC)	P. 26
8ED3+RV-KE3R3	YLWSN43203	3S: ON/OFF Electro-Hydraulic control kit with pilot and drain line+backpressure valve (12/24 VDC)	P. 26
8ED3+RV-KE4R3	YLWSN43204	4S: ON/OFF Electro-Hydraulic control kit with pilot and drain line+backpressure valve (12/24 VDC)	P. 26
8ED3+RV-KE5R3	YLWSN43205	5S: ON/OFF Electro-Hydraulic control kit with pilot and drain line+backpressure valve (12/24 VDC)	P. 26
8ED3+RV-KE6R3	YLWSN43206	6S: ON/OFF Electro-Hydraulic control kit with pilot and drain line+backpressure valve (12/24 VDC)	P. 26
8ED3+RV-KE7R3	YLWSN43207	7S: ON/OFF Electro-Hydraulic control kit with pilot and drain line+backpressure valve (12/24 VDC)	P. 26
8ED3+RV-KE8R3	YLWSN43208	8S: ON/OFF Electro-Hydraulic control kit with pilot and drain line+backpressure valve (12/24 VDC)	P. 26
8ED3+RV-KE9R3	YLWSN43209	9S: ON/OFF Electro-Hydraulic control kit with pilot and drain line+backpressure valve (12/24 VDC)	P. 26
8ED3+RV-KE10R3	YLWSN43210	10S: ON/OFF Electro-Hydraulic control kit with pilot and drain line+backpressure valve (12/24 VDC)	P. 26
8ED3+RV-KE11R3	YLWSN43211	11S: ON/OFF Electro-Hydraulic control kit with pilot and drain line+backpressure valve (12/24 VDC)	P. 26
8ED3+RV-KE12R3	YLWSN43212	12S: ON/OFF Electro-Hydraulic control kit with pilot and drain line+backpressure valve (12/24 VDC)	P. 26
8ER3+KE1S0	YLWSN43401	1S: ON/OFF Electro-hydraulic control kit with collector kit for external pilot and drain	P. 27
8ER3+KE2S0	YLWSN43402	2S: ON/OFF Electro-hydraulic control kit with collector kit for external pilot and drain	P. 27
8ER3+KE3S0	YLWSN43403	3S: ON/OFF Electro-hydraulic control kit with collector kit for external pilot and drain	P. 27
8ER3+KE4S0	YLWSN43404	4S: ON/OFF Electro-hydraulic control kit with collector kit for external pilot and drain	P. 27
8ER3+KE5S0	YLWSN43405	5S: ON/OFF Electro-hydraulic control kit with collector kit for external pilot and drain	P. 27
8ER3+KE6S0	YLWSN43406	6S: ON/OFF Electro-hydraulic control kit with collector kit for external pilot and drain	P. 27
8ER3+KE7S0	YLWSN43407	7S: ON/OFF Electro-hydraulic control kit with collector kit for external pilot and drain	P. 27
8ER3+KE8S0	YLWSN43408	8S: ON/OFF Electro-hydraulic control kit with collector kit for external pilot and drain	P. 27
8ER3+KE9S0	YLWSN43409	9S: ON/OFF Electro-hydraulic control kit with collector kit for external pilot and drain	P. 27
8ER3+KE10S0	YLWSN43410	10S: ON/OFF Electro-hydraulic control kit with collector kit for external pilot and drain	P. 27
8ER3+KE11S0	YLWSN43411	11S: ON/OFF Electro-hydraulic control kit with collector kit for external pilot and drain	P. 27
8ER3+KE12S0	YLWSN43412	12S: ON/OFF Electro-hydraulic control kit with collector kit for external pilot and drain	P. 27

3: A Side (Optional)

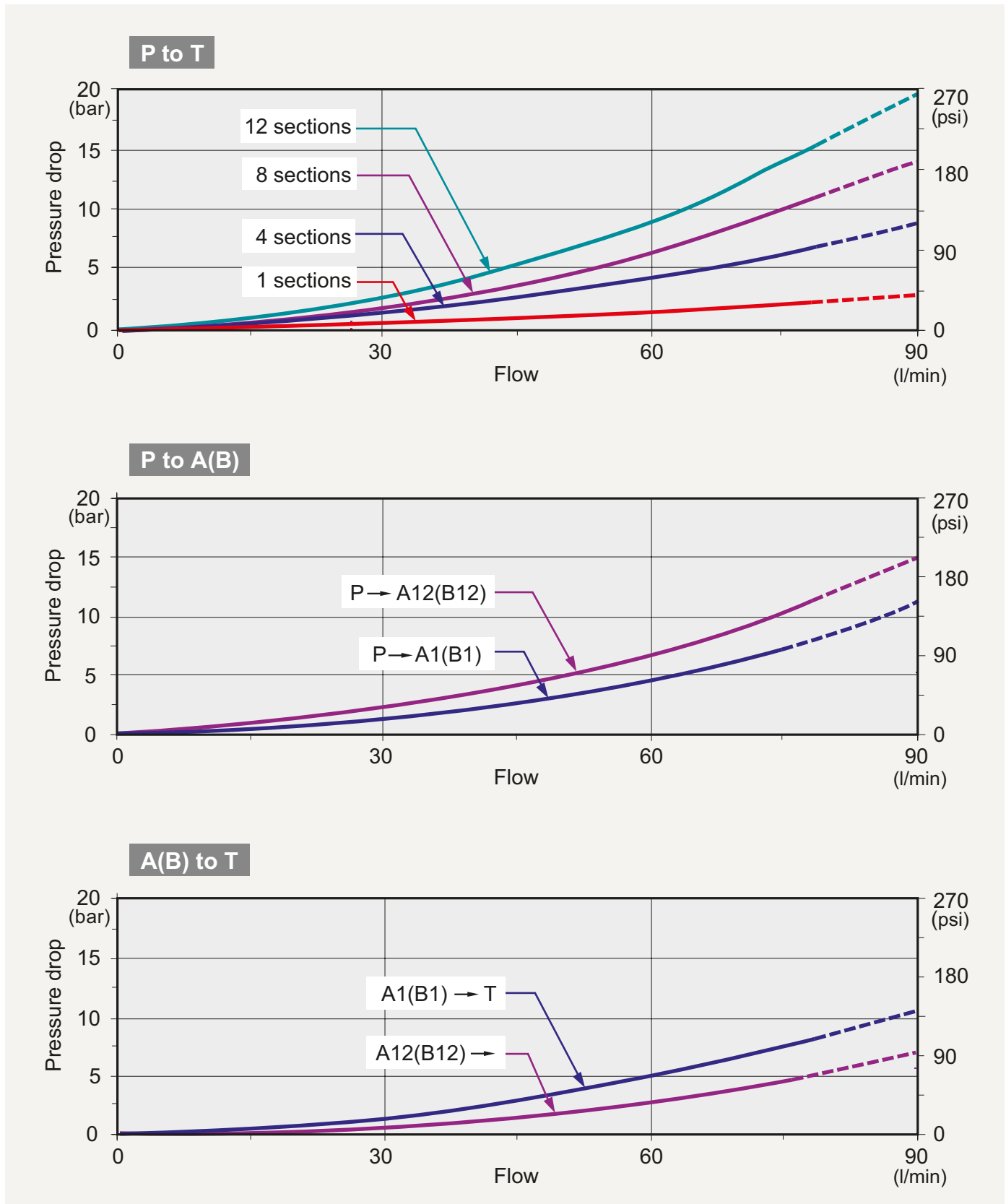
TYPE	CODE	DESCRIPTION	PAGE
L	YLWSN44000	Standard lever	P. 19
SLP	YLWSN44001	Without lever, with dust proof plate	P. 19
LCB	YLWSN44002	Joystick lever for 2 section operation	P. 20
TQ	YLWSN44003	Flexible cable connection	P. 21

4: Port Relief (Optional)

TYPE	CODE	DESCRIPTION	PAGE
P (G2-63)	YLWSN45002	Anti-shock valve, range 63 to 125 bar / form 900 to 1800 psi standard setting 63 bar / 900 psi	P. 31
P (G3-100)	YLWSN45003	Anti-shock valve, range 100 to 250 bar / form 1450 to 3600 psi standard setting 100bar / 1450 psi	P. 31
P (G4-200)	YLWSN45004	Anti-shock valve, range 200 to 315 bar / form 2900 to 4600 psi standard setting 200 bar / 2900 psi	P. 31
PM (G2-63)	YLWSN45005	Anti-shock valve, range 63 to 125 bar / form 900 to 1800 psi standard setting 63 bar / 900 psi, for low setting	P. 31
U (G2-63)	YLWSN45012	Anti-shock valve and Anti-cavitation valve, range 63 to 125 bar / form 900 to 1800 psi standard setting 63 bar / 900 psi	P. 31
U (G3-100)	YLWSN45013	Anti-shock valve and Anti-cavitation valve, range 100 to 250 bar / form 1450 to 3600 psi standard setting 100 bar / 1450 psi	P. 31
U (G4-200)	YLWSN45014	Anti-shock valve and Anti-cavitation valve, range 200 to 315 bar / form 2900 to 4600 psi standard setting 200 bar / 2900 psi	P. 31
C	YLWSN45100	Anti - cavitation valve	P. 31

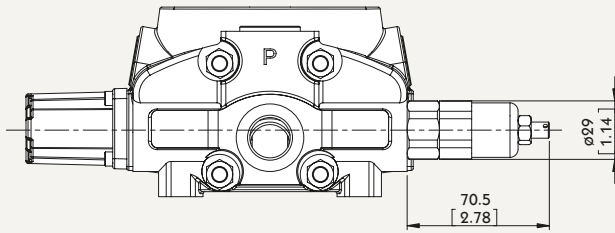
HPSV-4 Performance Curve Chart

Sectional Directional Control Valves

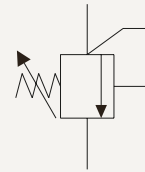


HPSV-4 Inlet Relief (Optional) Sectional Directional Control Valves

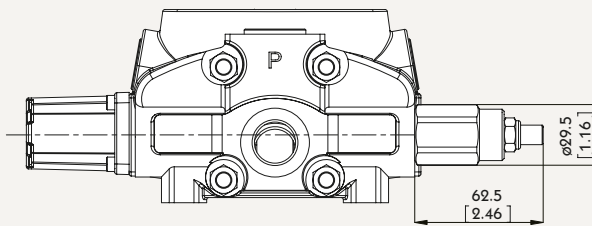
Type SG



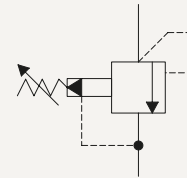
Direct pressure relief valve:



Type XSG

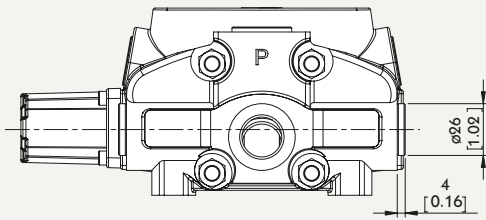


Pilot operated pressure relief valve:



HPSV-4 Inlet Relief (Optional) Sectional Directional Control Valves

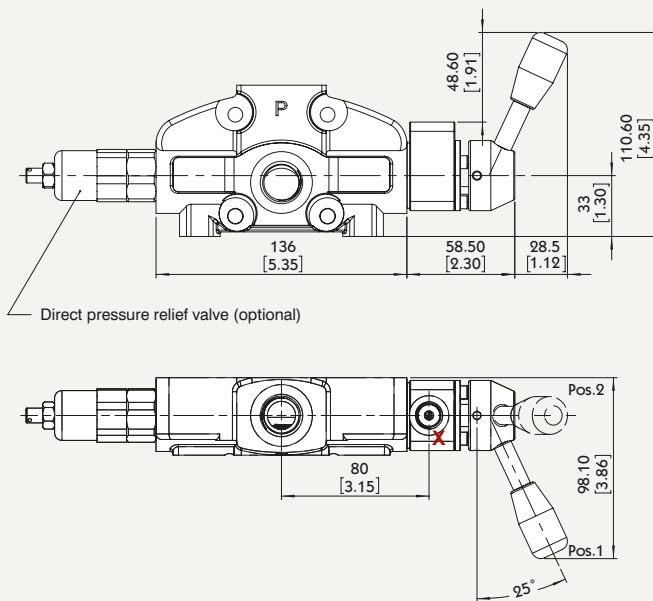
Type SV



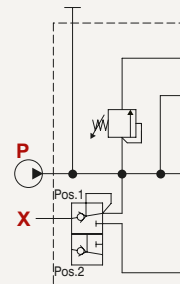
Relief valve blanking plug:



Type R4



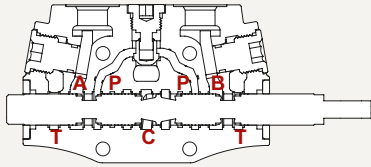
R4 commutator:



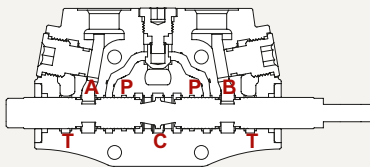
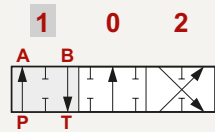
HPSV-4 Spool Options

Sectional Directional Control Valves

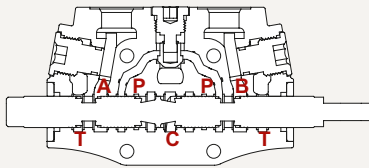
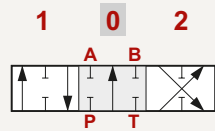
TYPE 1



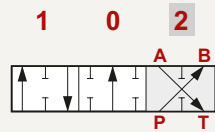
P → A
B → T
C closed



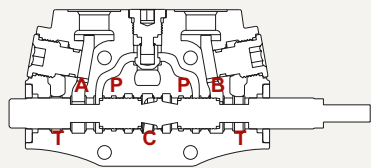
P & T & A & B closed
C open



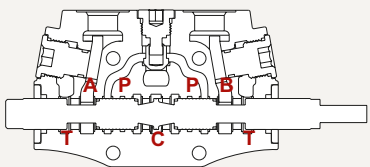
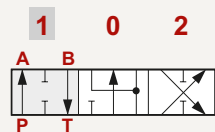
P → B
A → T
C closed



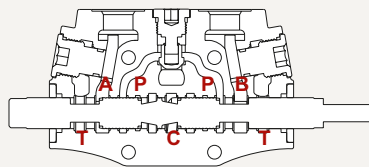
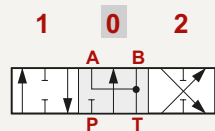
TYPE 2



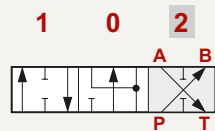
P → A
B → T
C closed



A & B → T
P closed
C open

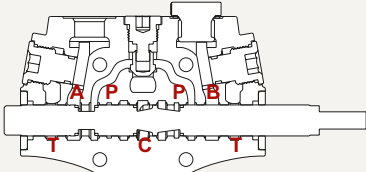
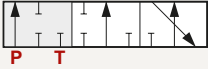
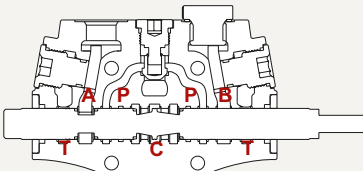

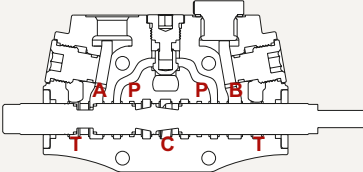



P → B
A → T
C closed

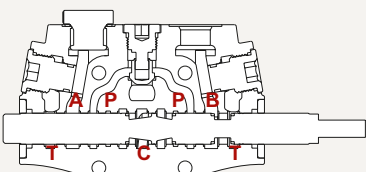
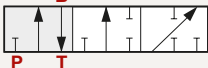
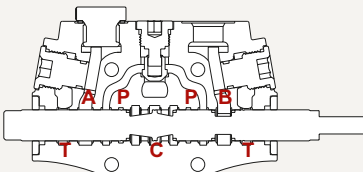

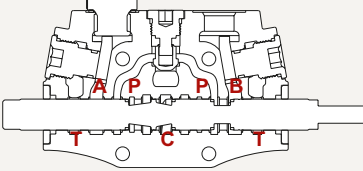
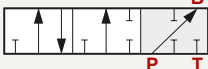


HPSV-4 Spool Options Sectional Directional Control Valves

TYPE 3

	<p>P → A C closed</p>	<p>1 0 2 A P T "B" port plugged</p> 
	<p>P & A closed C open</p>	<p>1 0 2 A P T "B" port plugged</p> 
	<p>A → T P closed C open</p>	<p>1 0 2 A P T "B" port plugged</p> 

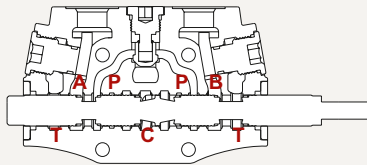
TYPE 4

	<p>B → T P closed C open</p>	<p>1 0 2 B P T "A" port plugged</p> 
	<p>P & B closed C open</p>	<p>1 0 2 B P T "A" port plugged</p> 
	<p>P → B C closed</p>	<p>1 0 2 B P T "A" port plugged</p> 

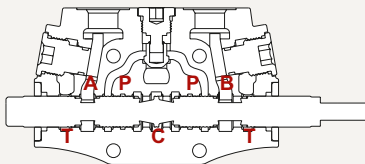
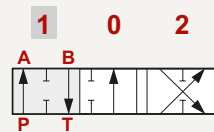
HPSV-4 Spool Options

Sectional Directional Control Valves

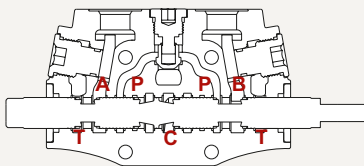
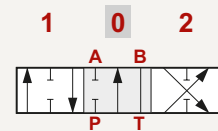
TYPE 5



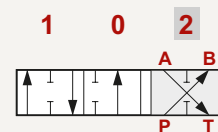
P → A
B → T
C closed



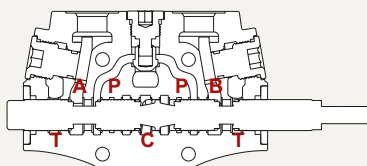
B → T
P & A closed
C open



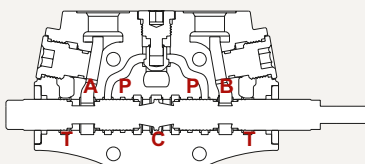
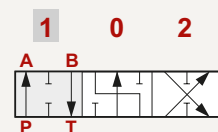
P → B
A → T
C closed



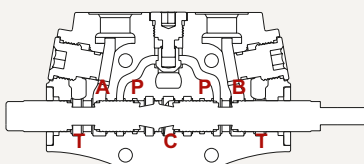
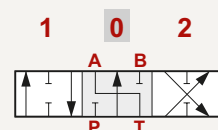
TYPE 6



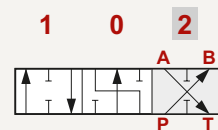
P → A
B → T
C closed



A → T
P & B closed
C open



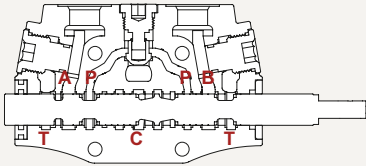
P → B
A → T
C closed



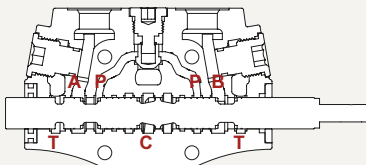
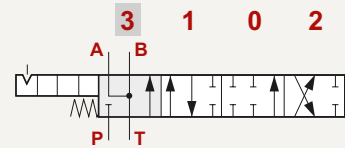
HPSV-4 Spool Options Sectional Directional Control Valves

TYPE 5PY

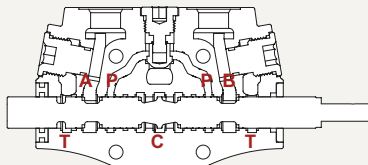
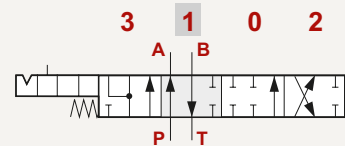
NOTE : WITH SPECIAL BODY AND SPECIAL POSITIONER.



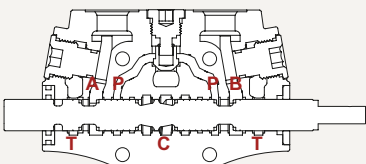
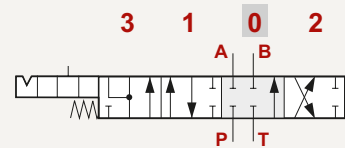
A & B → T
P closed
C open



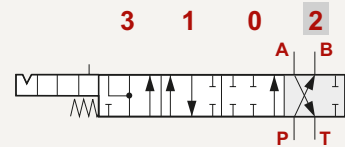
P → A
B → T
C closed



P & T & A & B closed
C open

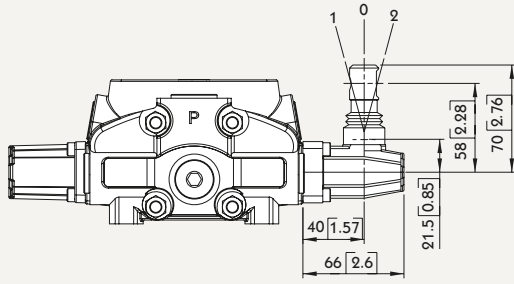


P → B
A → T
C closed



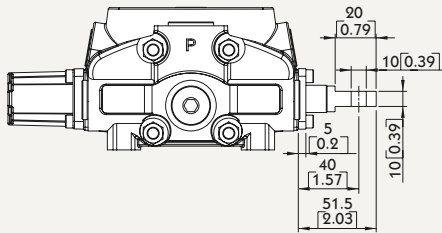
HPSV-4 A Side Sectional Directional Control Valves

Type L



Type L:
STANDART LEVER KIT

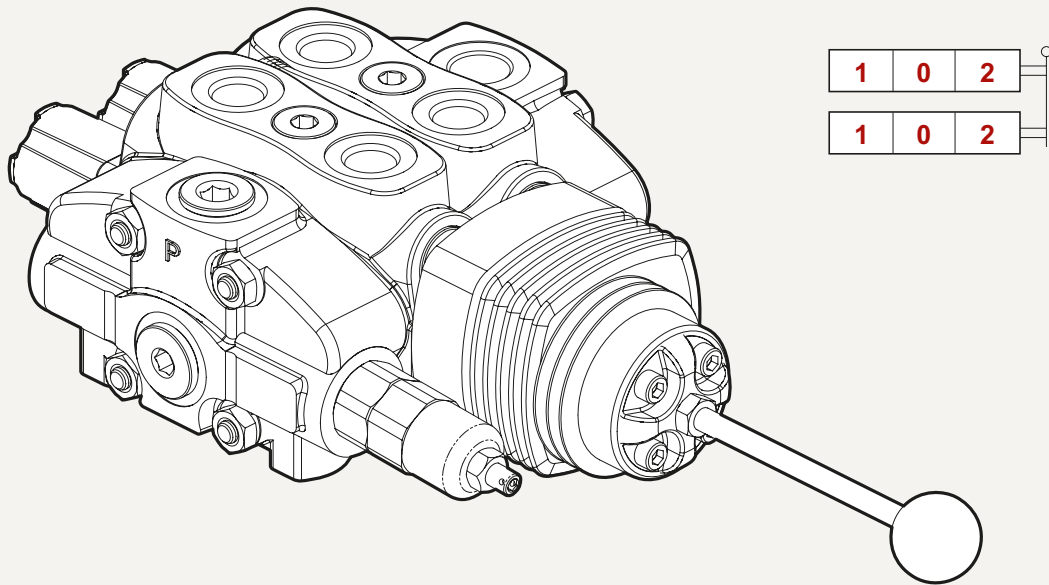
Type SLP



Type SLP:
WITH DUST-PROOF PLATE

HPSV-4 A Side Sectional Directional Control Valves

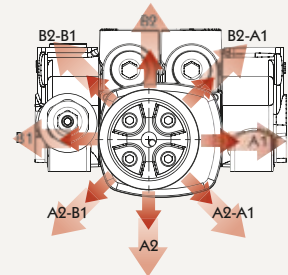
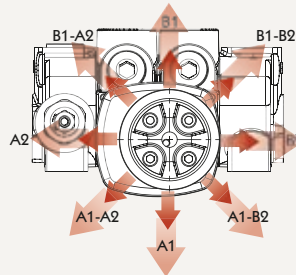
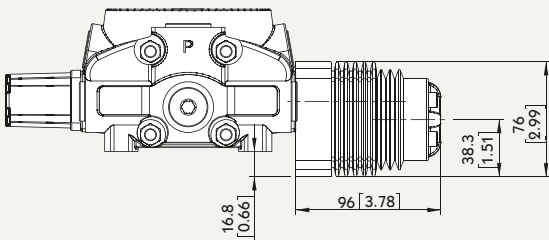
LCB: Joystick control



Type LCB

LCB1

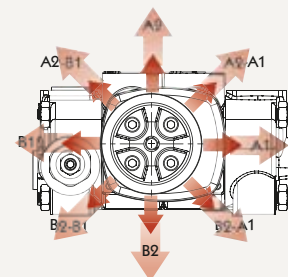
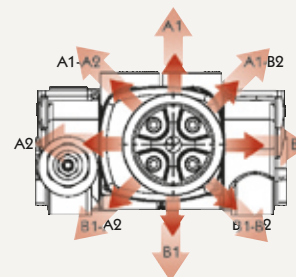
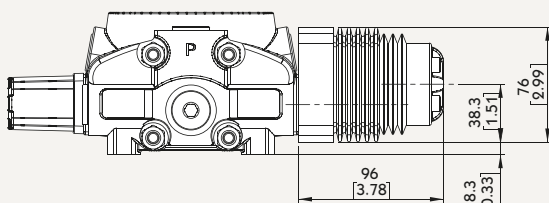
LCB2



Type LCB

LCB3

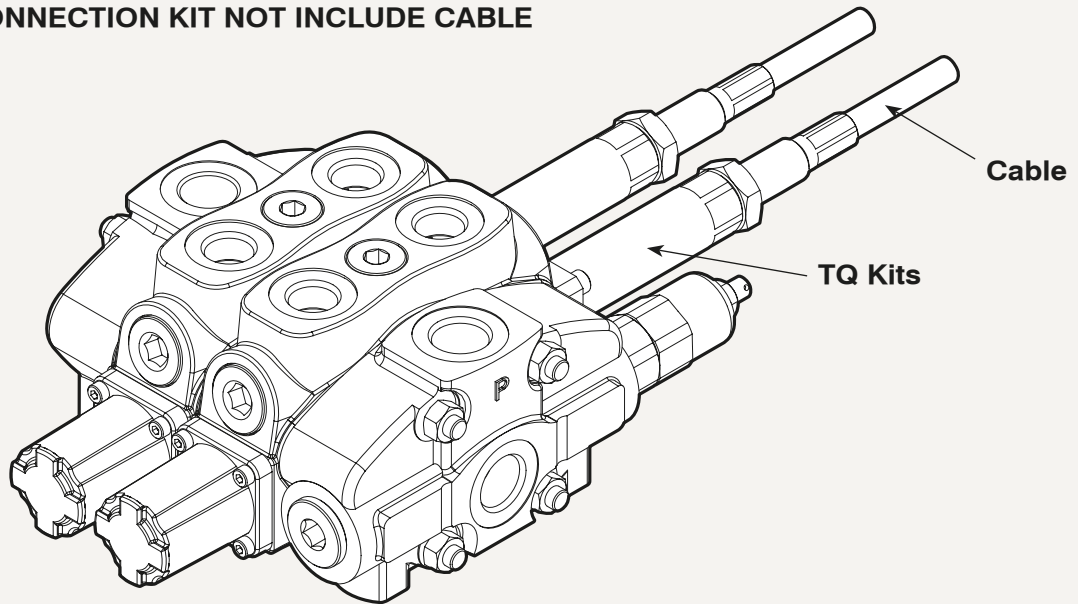
LCB4



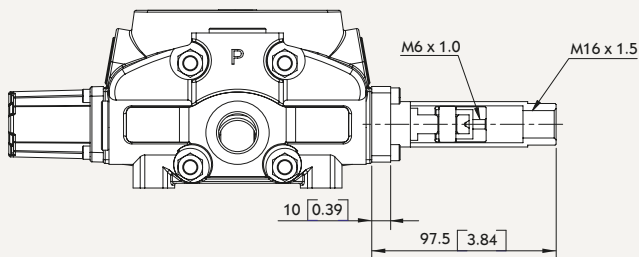
HPSV-4 A Side

Sectional Directional Control Valves

Note : CONNECTION KIT NOT INCLUDE CABLE



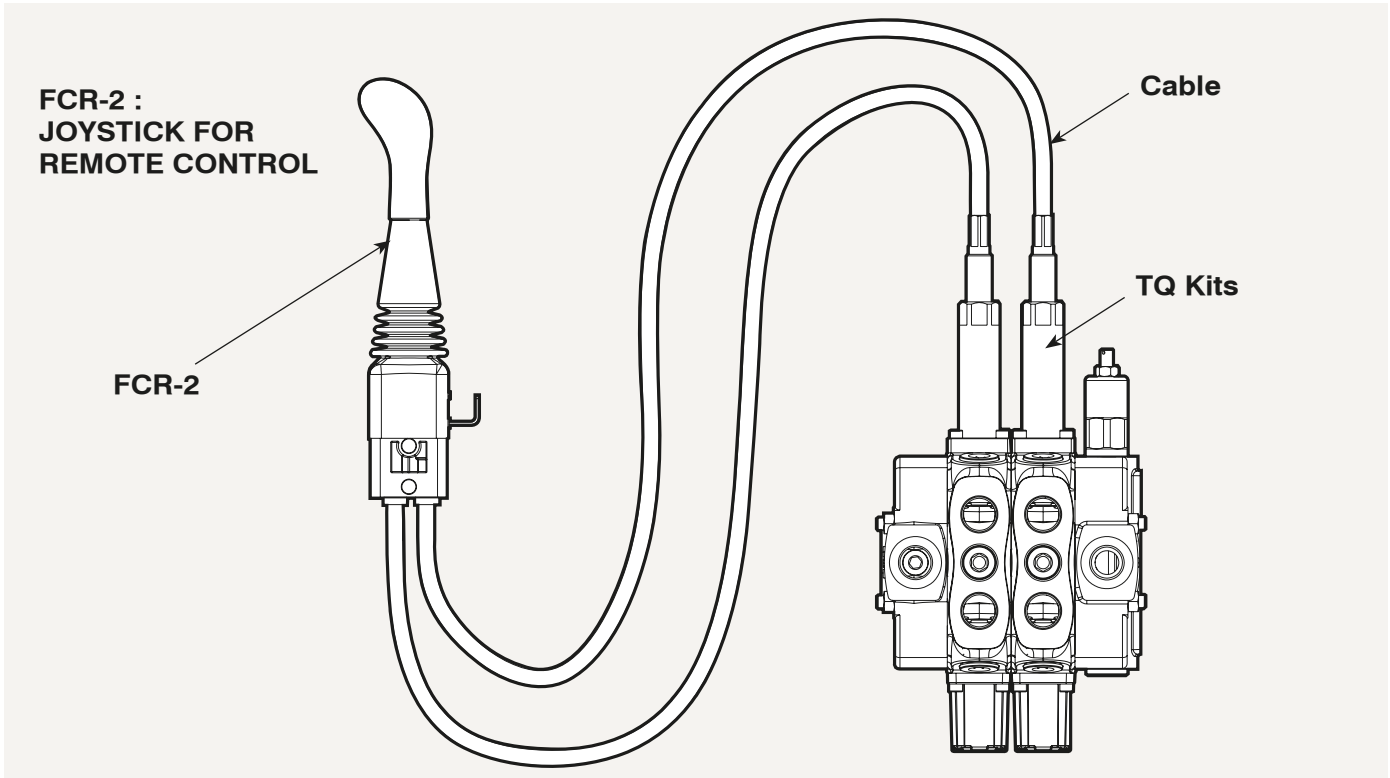
Type TQ



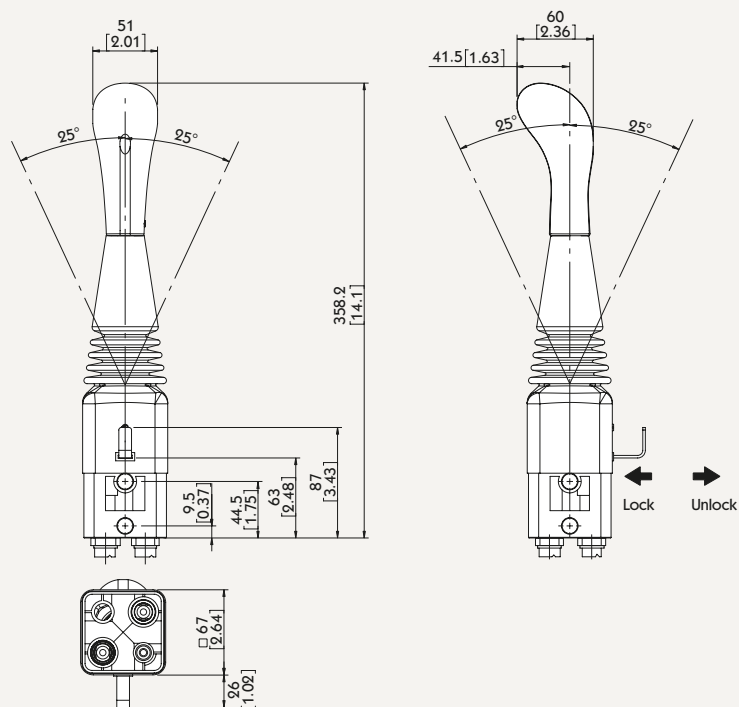
TQ Kit:



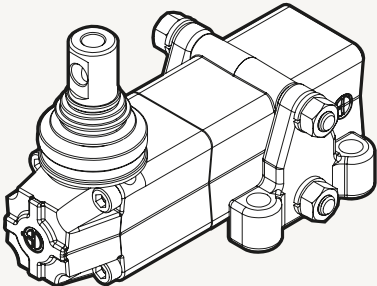
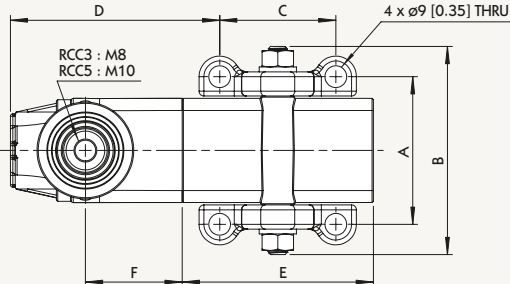
HPSV-4 A Side Sectional Directional Control Valves



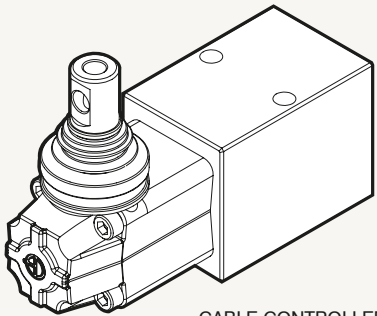
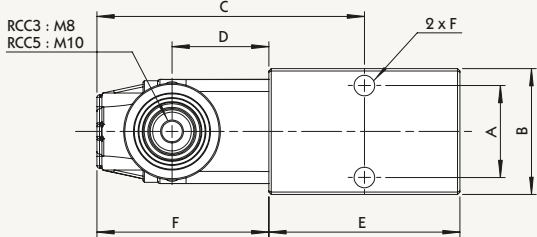
Type FCR-2



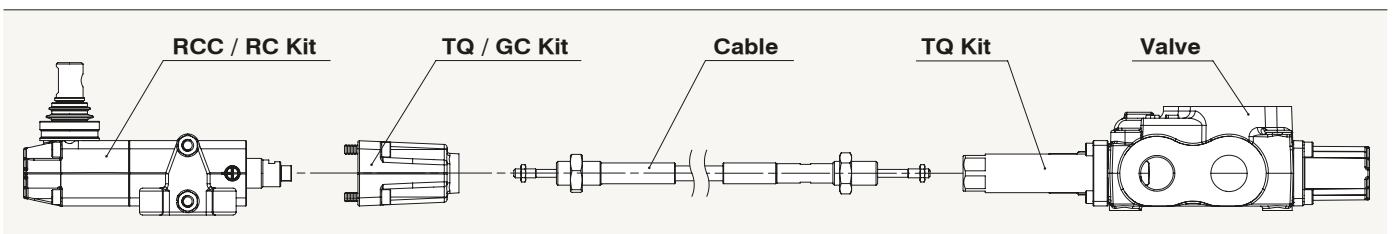
HPSV-4 Flexible Cable Remote Controls (One Section Operation) Sectional Directional Control Valves

Type RCC	RCC Available sections from 1 to 7	Product	Code
 CABLE CONTROLLER		MB2	RCC-3
		MB3	RCC-3
		MB4	RCC-3
		MB5	RCC-5
		MSB3	RCC-3
		MSB5	RCC-5
		SN3	RCC-3
		SN4	RCC-5
SN6	RCC-5		
SN8	RCC-5		

TYPE	RCC5/1		RCC5/2		RCC5/3		RCC5/4		RCC5/5		RCC5/6		RCC5/7		RCC3/1		RCC3/2		RCC3/3		RCC3/4		RCC3/5		RCC3/6		RCC3/7			
	mm	in	mm	in	mm	in	mm	in	mm	in	mm	in	mm	in	mm	in	mm	in	mm	in	mm	in	mm	in	mm	in	mm	in		
A	61	2.4	106	4.17	151	5.94	196	7.72	241	9.49	286	11.26	331	13.03	56	2.20	96	3.78	136	5.35	176	6.93	216	8.50	256	10.08	296	11.65		
B	86	3.39	131	5.16	176	6.93	221	8.7	266	10.47	311	12.24	356	14.02	73	2.87	113	4.45	153	6.02	193	7.60	233	9.17	273	10.74	313	12.32		
C	48	1.89	48	1.89	48	1.89	48	1.89	48	1.89	48	1.89	48	1.89	40	1.57	40	1.57	40	1.57	40	1.57	40	1.57	40	1.57	40	1.57	40	1.57
D	86.5	3.41	86.5	3.41	86.5	3.41	86.5	3.41	86.5	3.41	86.5	3.41	86.5	3.41	58.5	2.3	58.5	2.3	58.5	2.3	58.5	2.3	58.5	2.3	58.5	2.3	58.5	2.3	58.5	2.3
E	79	3.11	79	3.11	79	3.11	79	3.11	79	3.11	79	3.11	79	3.11	45	1.77	45	1.77	45	1.77	45	1.77	45	1.77	45	1.77	45	1.77	45	1.77
F	40	1.57	40	1.57	40	1.57	40	1.57	40	1.57	40	1.57	40	1.57	30	1.18	30	1.18	30	1.18	30	1.18	30	1.18	30	1.18	30	1.18	30	1.18

Type RC	RC Available sections from 1 to 4	Product	Code
 CABLE CONTROLLER		MB2	RC-3
		MB3	RC-3
		MB4	RC-3
		MB5	RC-5
		MSB3	RC-3
		MSB5	RC-5
		SN3	RC-3
		SN4	RC-5
SN6	RC-5		
SN8	RC-5		

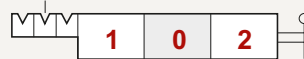
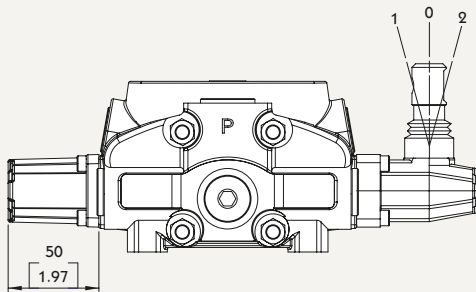
TYPE	RC5/1		RC5/2		RC5/3		RC5/4		RC3/1		RC3/2		RC3/3		RC3/4	
	mm	in	mm	in	mm	in	mm	in	mm	in	mm	in	mm	in	mm	in
A	38	1.50	85	3.35	130	5.12	175	6.89	33.5	1.32	74	2.91	112	4.41	150	5.91
B	52	2.04	97	3.82	142	5.59	187	7.36	45	1.77	86	3.39	124	4.88	162	6.38
C	110.5	4.35	110.5	4.35	110.5	4.35	110.5	4.35	78.5	3.09	78.5	3.09	78.5	3.09	78.5	3.09
D	40	1.57	40	1.57	40	1.57	40	1.57	30	1.18	30	1.18	30	1.18	30	1.18
E	79	3.11	79	3.11	79	3.11	79	3.11	45	1.77	45	1.77	45	1.77	45	1.77
F	71	2.80	71	2.80	71	2.80	71	2.80	56	2.21	56	2.21	56	2.21	56	2.21



HPSV-4 B Side

Sectional Directional Control Valves

Type 6



6-1 Kit:

DETENT IN POS. 1-0-2, WITHOUT SPRING CENTERED



6-2 Kit:

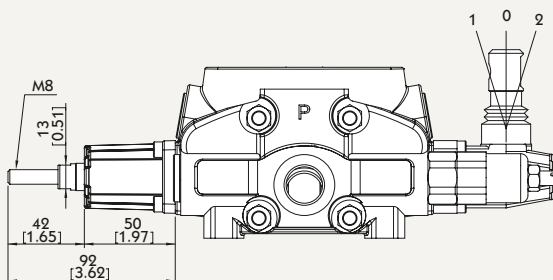
2 POSITIONS, DETENT IN POS. 0-2, WITHOUT SPRING CENTERED



6-3 Kit:

2 POSITIONS, DETENT IN POS. 1-0, WITHOUT SPRING CENTERED

Type 8D2



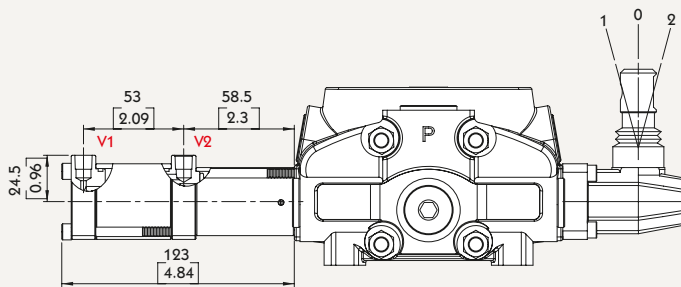
8D2 Kit:

WITH SPRING RETURN TO NEUTRAL POSITION AND PIN WITH M8 MALE THREAD FOR DUAL CONTROL

HPSV-4 B Side Sectional Directional Control Valves

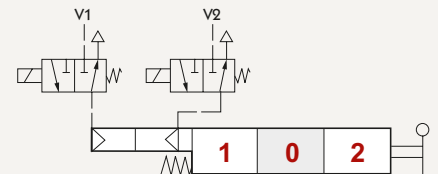
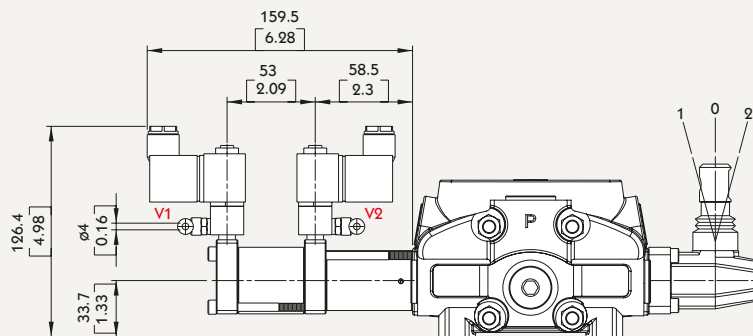
Type 8P

V1 & V2 : NPT 1/8 - 27



Pilot pressure : FROM 7 TO 10 BAR / 101 TO 145 PSI

Type 8EP3



Solenoid operating features :

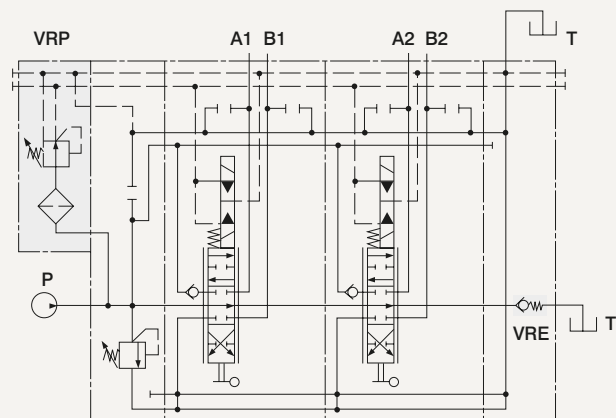
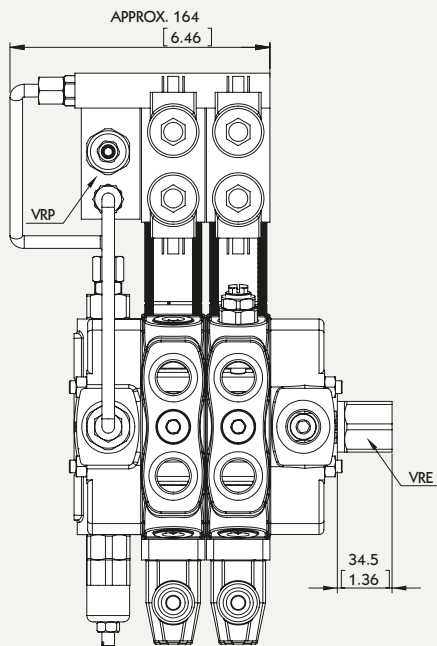
NOMINAL VOLTAGE: 24VDC

NOMINAL VOLTAGE TOLERANCE: $\pm 10\%$

POWER RATING: 5W

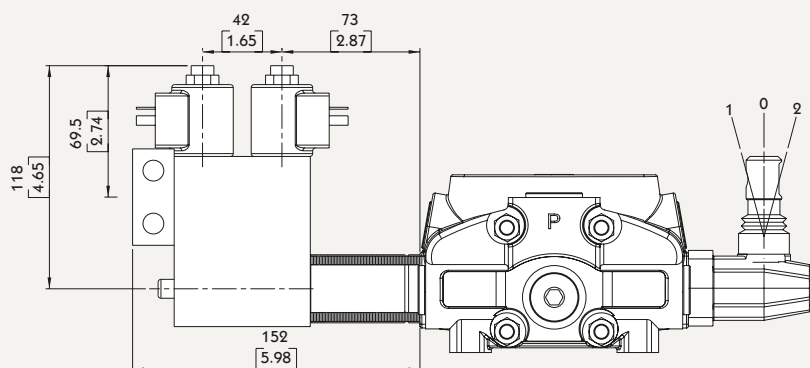
HPSV-4 B Side Sectional Directional Control Valves

Type 8ED3



VRP valve operating features :

OUTLET PRESSURE: 25 BAR / 363 PSI
 MAX. FLOW: 8 L/MIN / 2.1 US GPM
 FLTRING: 80 μ

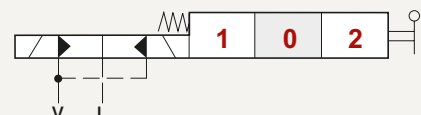


Operating features :

PILOT PRESSURE: • MIN. 10 BAR / 145 PSI
 • MAX. 50 BAR / 725 PSI
 MAX. BACKPRESSURE ON DRAIN L: 25 BAR / 360PSI

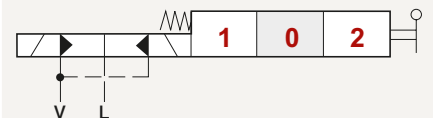
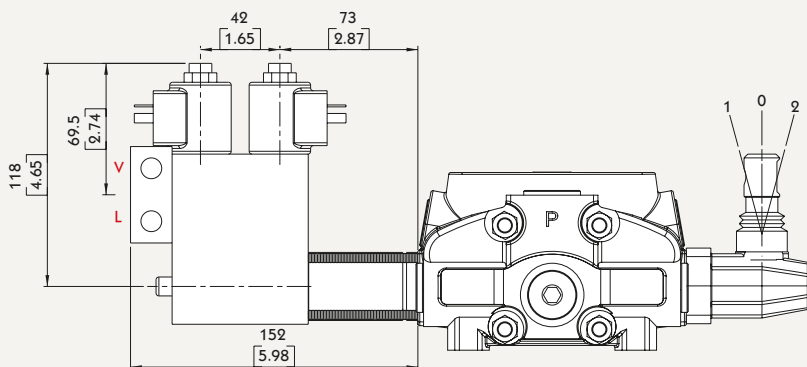
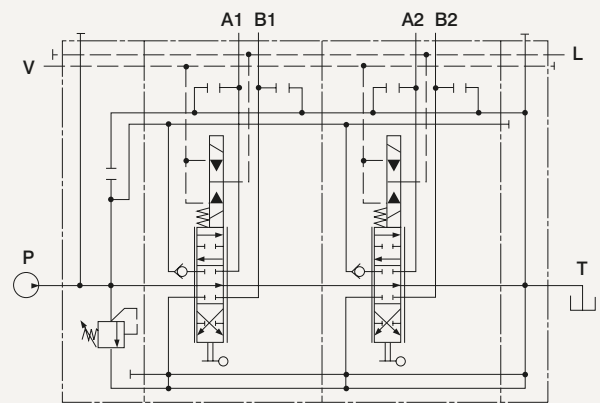
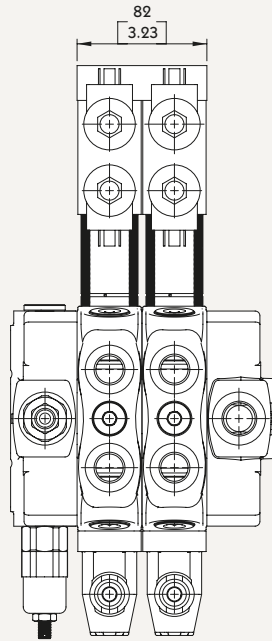
Solenoid operating features :

NOMINAL VOLTAGE: 12VDC / 24 VDC
 POWER RATING: 21 W
 DUTY CYCLE: 100 %



HPSV-4 B Side Sectional Directional Control Valves

Type 8ER3



Operating features :

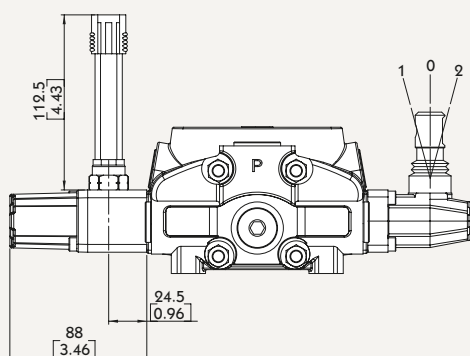
PILOT PRESSURE: • MIN. 10 BAR / 145 PSI
• MAX. 50 BAR / 725 PSI
MAX. BACKPRESSURE ON DRAIN L: 25 BAR / 360PSI

Solenoid operating features :

NOMINAL VOLTAGE: 12VDC / 24 VDC
POWER RATING: 21 W
DUTY CYCLE: 100 %

HPSV-4 B Side Sectional Directional Control Valves

Type 8MG



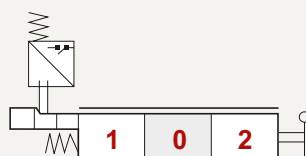
MICROSWITCH

Operating features :

MECHANICAL LIFE: • 5X10⁶ OPERATIONS

ELECTRICAL LIFE (RESISTIVE LOAD):

- 10⁶ OPERATIONS - 7A / 13.5 VDC
- 5x10⁴ OPERATIONS - 10A / 12 VDC
- 5x10⁴ OPERATIONS - 3A / 28 VDC



8MG1 Kit:

MICROSWITCH WITH MALE/FEMALE CONNECTOR, OPERATED IN POS. 1



8MG2 Kit:

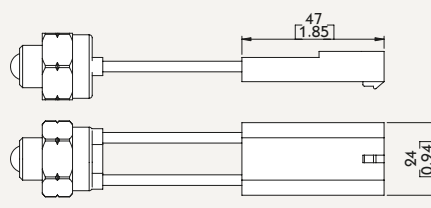
MICROSWITCH WITH MALE/FEMALE CONNECTOR, OPERATED IN POS. 2



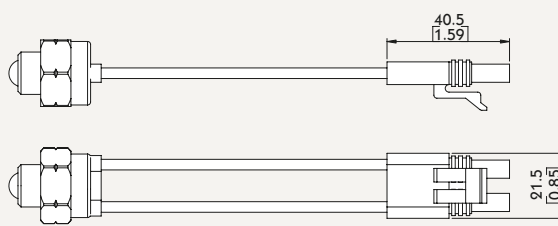
8MG3 Kit:

MICROSWITCH WITH MALE/FEMALE CONNECTOR, OPERATED IN POS. 1 AND POS. 2

With NO contact (female connector with male end)

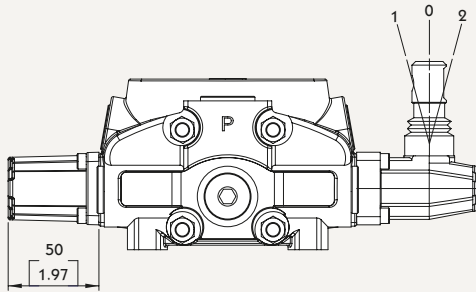


With NC contact (male connector with female end)



HPSV-4 B Side Sectional Directional Control Valves

Type 8



8 Kit:

SPRING RETURN TO NEUTRAL POSITION



8-1 Kit:

SPRING RETURN TO NEUTRAL POSITION.
(2 POSITIONS)

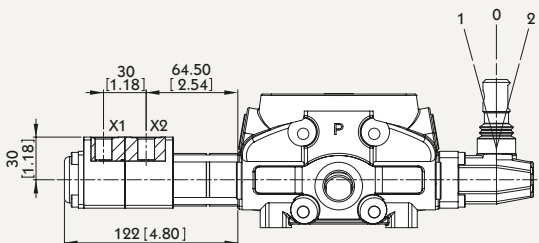


8-2 Kit:

SPRING RETURN TO NEUTRAL POSITION.
(2 POSITIONS)

Type 8IJ

X1 & X2 : BSP G1/4



8IJ-1 Kit:

RETURN IN NEUTRAL POSITION FROM POSITION 1.



8IJ-2 Kit:

RETURN IN NEUTRAL POSITION FROM POSITION 2.



8IJ-3 Kit:

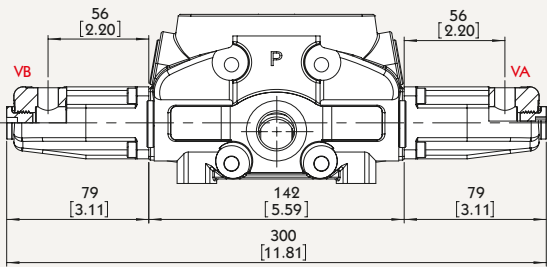
RETURN IN NEUTRAL POSITION FROM POSITION 1 AND 2.

Operating features :

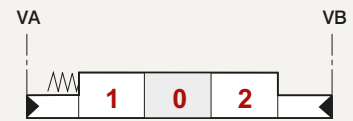
PILOT PRESSURE: • MAX. 315BAR / 4600 PSI
• MIN. 50 BAR / 725 PSI

HPSV-4 B Side Sectional Directional Control Valves

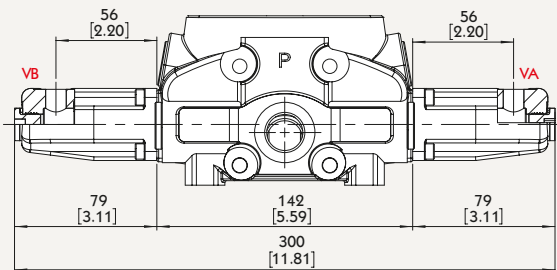
Type 8IM



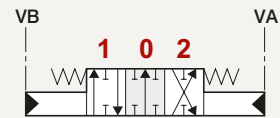
Pilot pressure :
MAX. 50BAR / 730 PSI



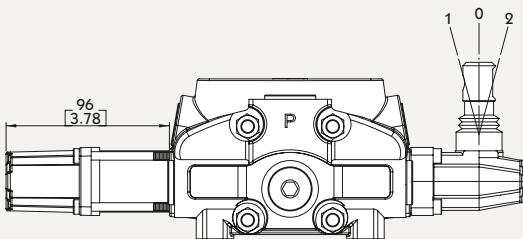
Type 8IMM



Pilot pressure :
MAX. 50BAR / 730 PSI



Type 9



9-1 Kit:

DETENT IN POS. 1, 2 WITH SPRING
CENTERED



9-2 Kit:

DETENT IN POS. 2 WITH SPRING
CENTERED

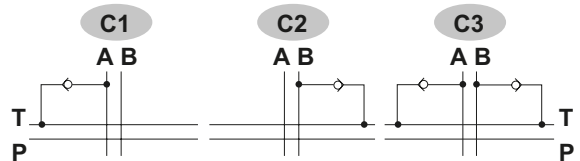
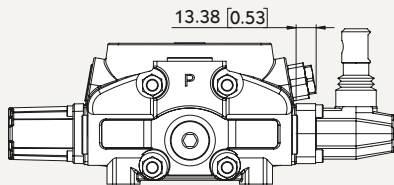


9-3 Kit:

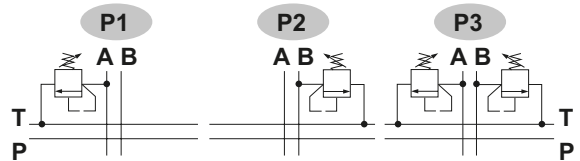
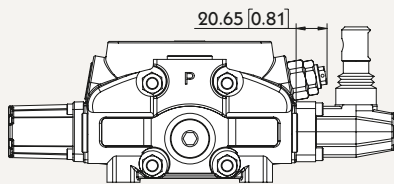
DETENT IN POS. 1 WITH SPRING
CENTERED

HPSV-4 Port Relief Sectional Directional Control Valves

TYPE C

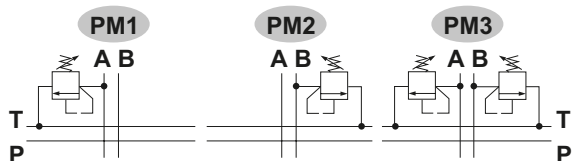
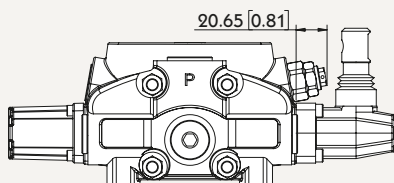


TYPE P



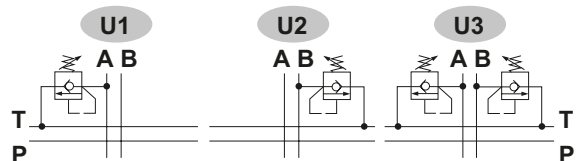
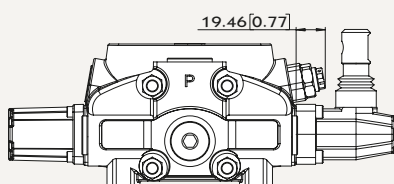
G2: 63-125 bar G3: 100-250 bar G4: 200-315 bar

TYPE PM



G2: 63-125 bar

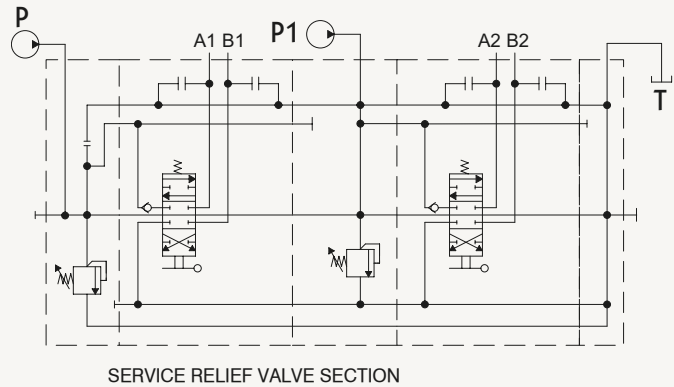
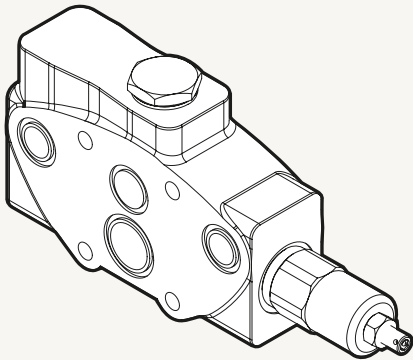
TYPE U



G2: 63-125 bar G3: 100-250 bar G4: 200-315 bar

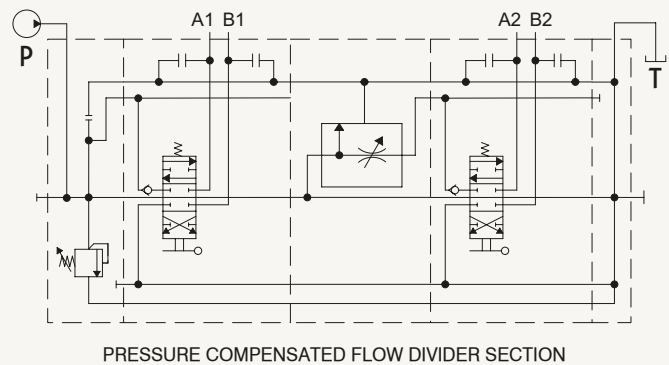
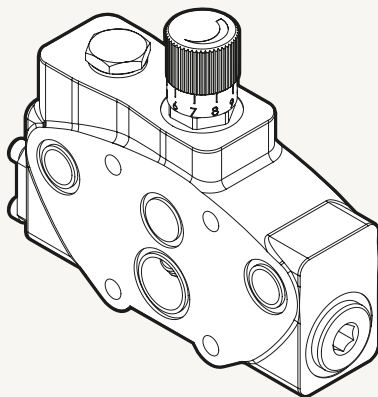
HPSV-4 Intermediate Block Valve For Sectional Type Sectional Directional Control Valves

Type EGI

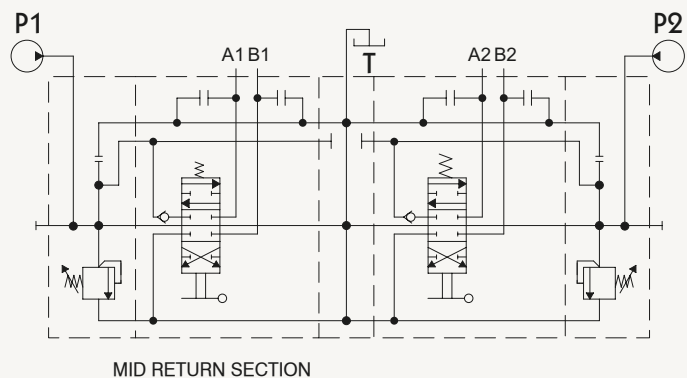
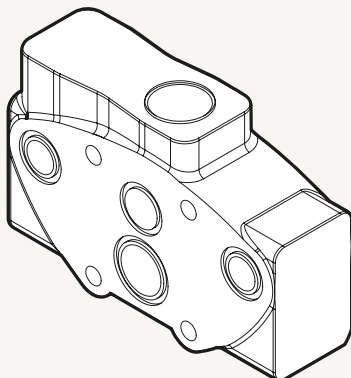


- Pressure range 02 : 40~80 bar 03 : 63~200 bar 04 : 160~315 bar
- Pilot operated pressure range X : 25~315 bar

Type EPCF



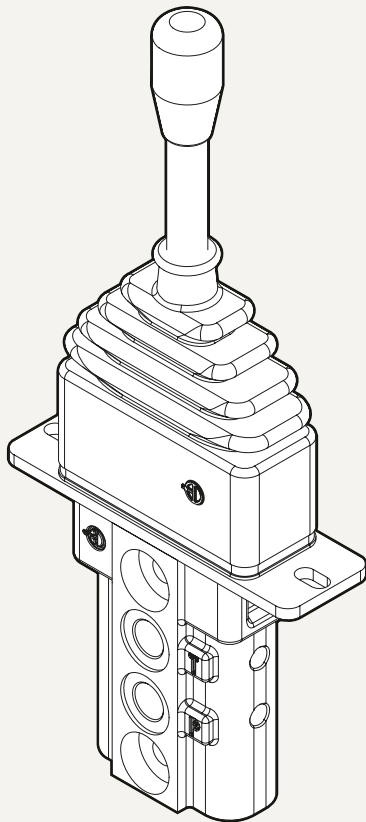
Type ECS



HPSV-4 Accessories

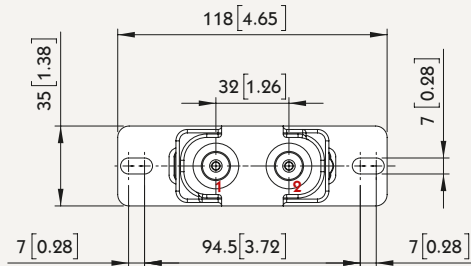
Sectional Directional Control Valves

Type JHP-1

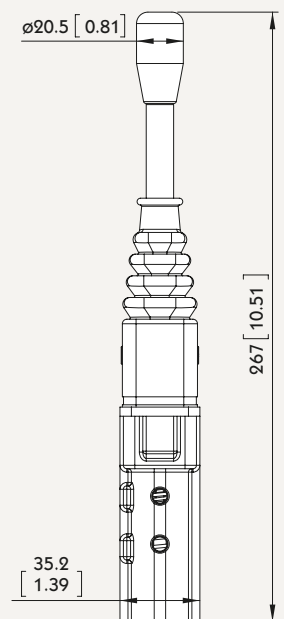
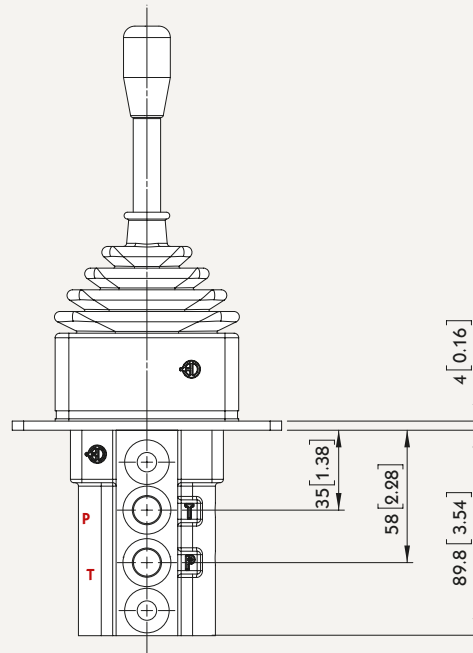
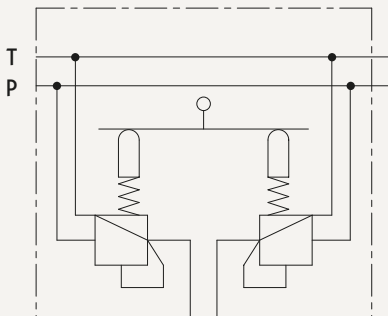


Specifications:

- This data sheet shows technical spec. with mineral oil of 46 mm²/s (cSt) viscosity at 40 °C (104 °F)
- Flow : 5 ~ 20 LPM
- Feeding pressure : 30 ~ 100 bar
- Max. backpressure : 3 bar
- Internal leakage at 30 bar : 10 ~ 18 cm³/min
- Fluid : mineral oil
- Fluid temperature : - 10 ~ 80 °C
- Ambient temperature : - 40 ~ 60 °C



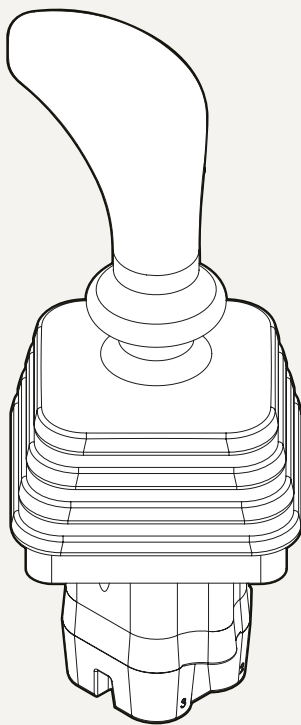
HYDRAULIC SCHEME:



HPSV-4 Accessories

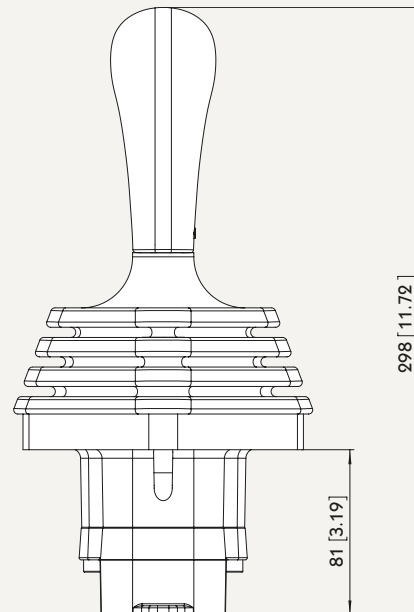
Sectional Directional Control Valves

Type JHP-2

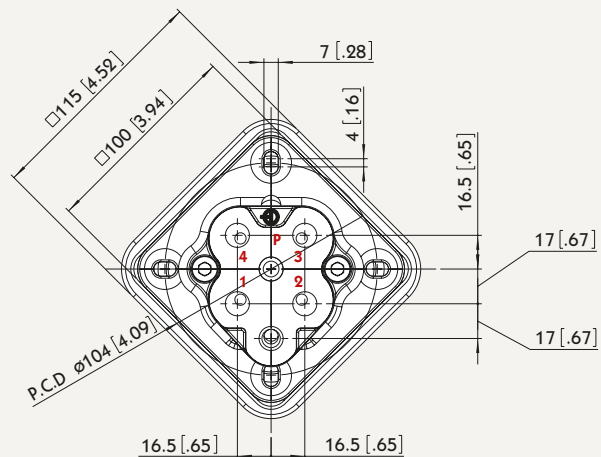
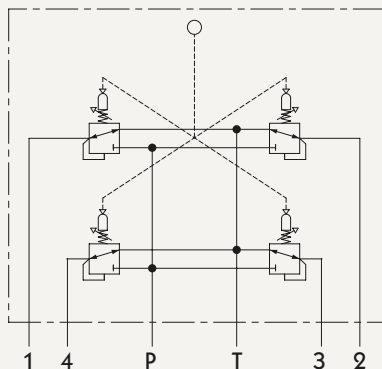


Specifications:

- This data sheet shows technical spec. with mineral oil of 46 mm²/s (cSt) viscosity at 40°C (104°F)
- Flow : 5 ~ 20 LPM
- Feeding pressure : 30 ~ 100 bar
- Max. backpressure : 3 bar
- Internal leakage at 30 bar : 10 ~ 18 cm³/min
- Fluid : mineral oil
- Fluid temperature : - 10 ~ 80°C
- Ambient temperature : - 40 ~ 60°C



HYDRAULIC SCHEME:



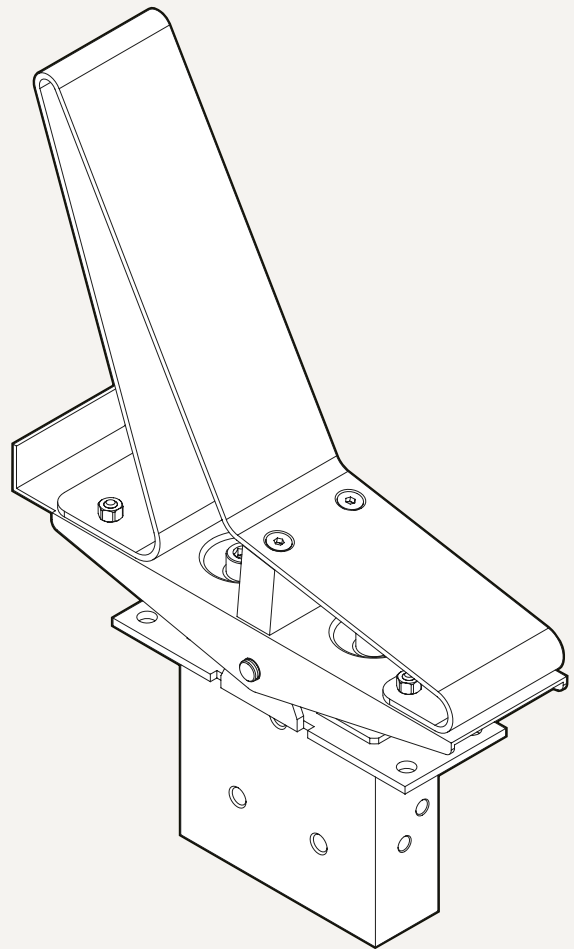
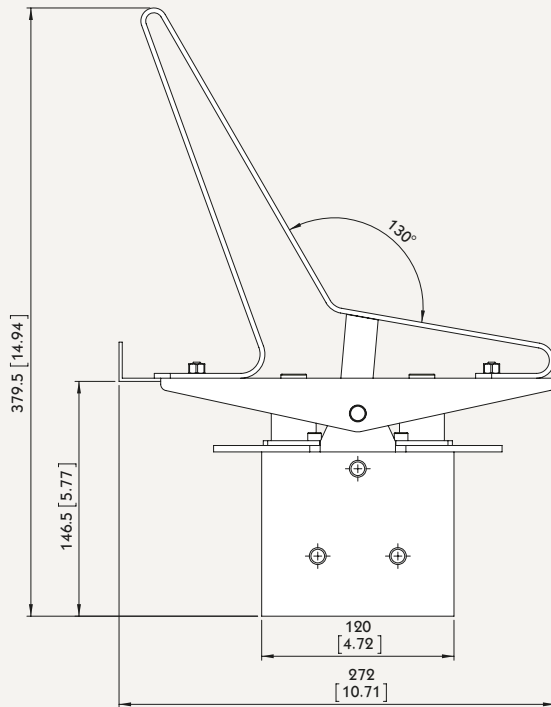
HPSV-4 Accessories

Sectional Directional Control Valves

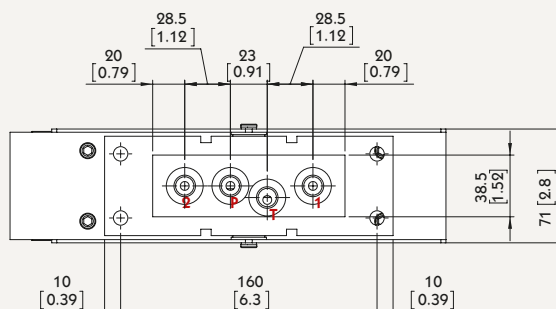
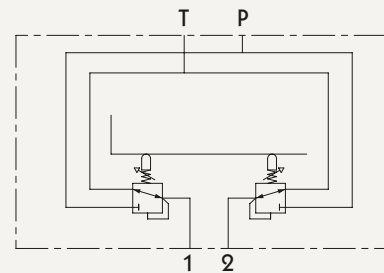
Type PHP-1

Specifications:

- This data sheet shows technical spec. with mineral oil of 46 mm²/s (cSt) viscosity at 40°C (104°F)
- Flow : 5 ~ 20 LPM
- Feeding pressure : 30 ~ 100 bar
- Max. backpressure : 3 bar
- Internal leakage at 30 bar : 10 ~ 18 cm³/min
- Fluid : mineral oil
- Fluid temperature : - 10 ~ 80°C
- Ambient temperature : - 40 ~ 60°C



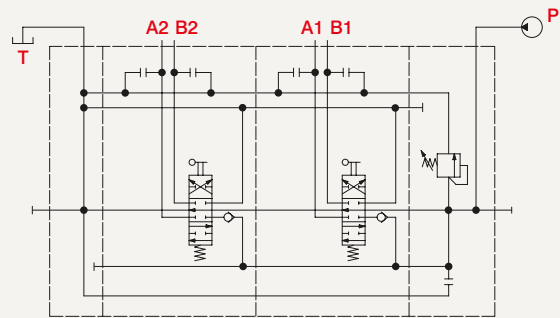
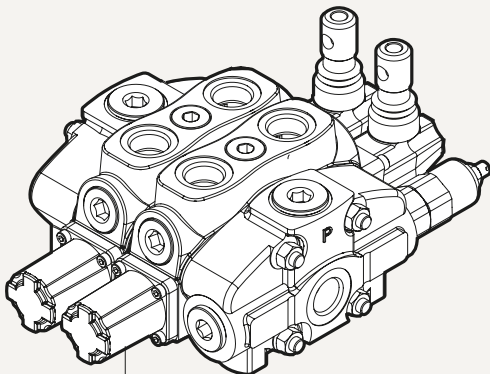
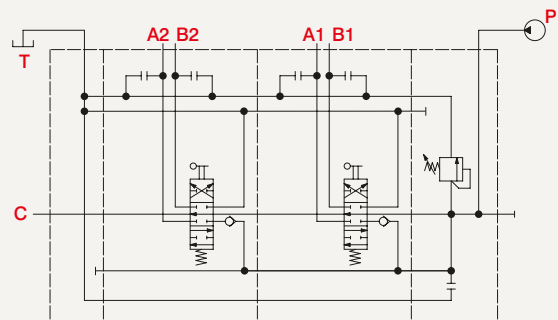
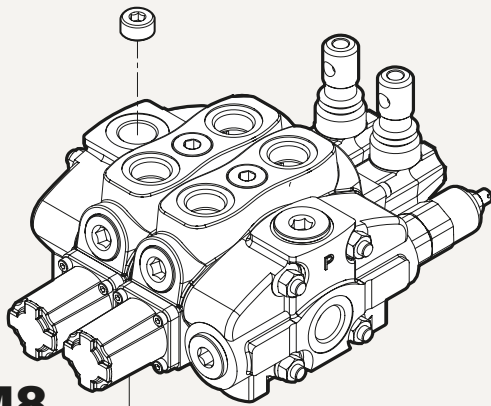
HYDRAULIC SCHEME:



HPSV-4 Outlet

Sectional Directional Control Valves

Power Beyond Conversion plug
(Closed center plug)



CENTRALA ELBLĄG

Ul. Rawska 19B
82-300 Elbląg

tel. /+48/ 55 625 51 00

fax /+48/ 55 625 51 01

Dział Handlowy

tel. /+48/ 55 625 51 51

elblag@hydropress.pl



www.hydropress.pl

ODDZIAŁ GDAŃSK

tel. /+48/ 55 625 51 21

fax /+48/ 55 625 51 22

ODDZIAŁ RUMIA

tel. /+48/ 58 679 34 15

fax /+48/ 55 625 51 25

ODDZIAŁ TYCHY

tel. /+48/ 32 787 52 88

fax /+48/ 55 625 51 38

ODDZIAŁ OLSZTYN

tel. /+48/ 89 532 01 05

fax /+48/ 89 715 21 42

ODDZIAŁ WARSZAWA

tel. /+48/ 22 468 86 97

fax /+48/ 55 625 51 32

BIURO HANDLOWE WROCŁAW

tel. /+48/ 782 838 000

fax /+48/ 55 625 51 35

BIURO HANDLOWE KIELCE

tel. /+48/ 885 995 501

fax /+48/ 55 625 51 01

BIURO HANDLOWE KRAKÓW

tel. /+48/ 885 995 019

fax /+48/ 55 625 51 01

BIURO HANDLOWE OPOLE

tel. /+48/ 885 995 011

fax /+48/ 55 625 51 01

BIURO HANDLOWE BYDGOSZCZ

tel. /+48/ 790 222 771

fax /+48/ 55 625 51 01