



SZYBKOZŁĄCZA HYDRAULICZNE SERIA A

A SERIES













INTERCHANGE > ISO 16028 - NFPA T3.20.15 - HTMA (size 3/8")



Stucchi®



TECHNICAL FEATURES AND OPTIONS

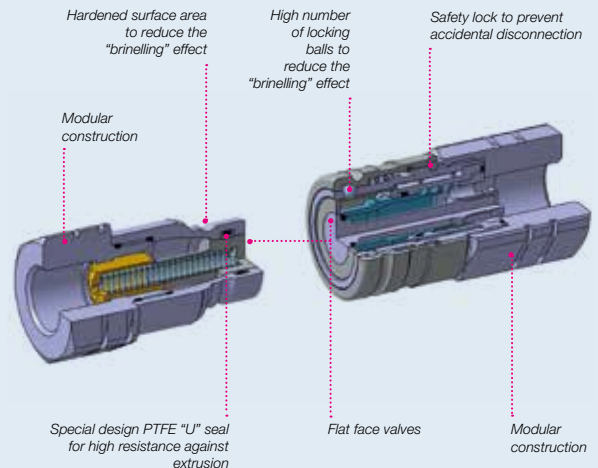
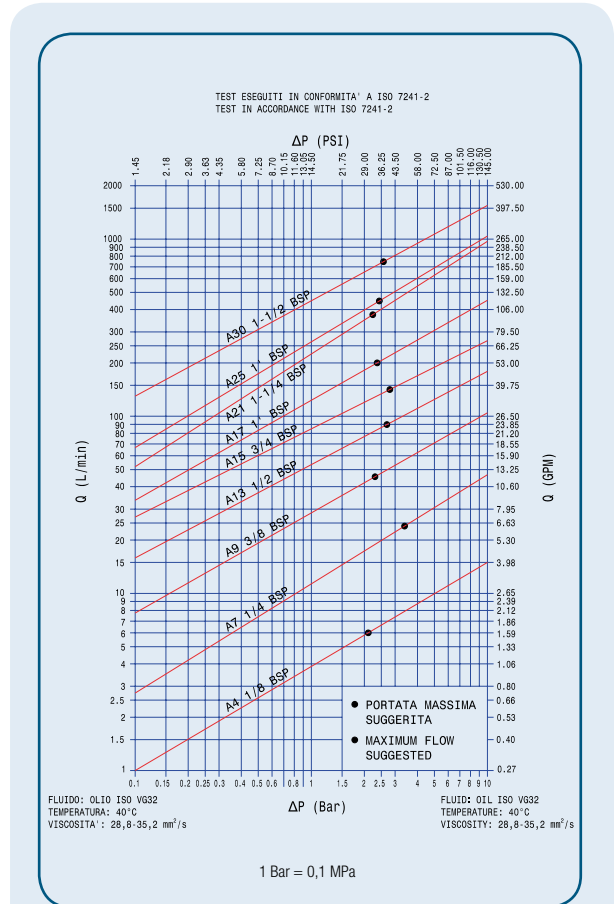
 Interchange ISO 16028 NFPA T3.20.15 HTMA (size 3/8")	 Sealing description Nitrile NBR	 Connection system Push
 Available sizes from 1/8" to 1-1/2"	 Material High strength carbon steel	 Available threads BSP - NPT - SAE ORFS - METRIC - JIC
 Operating pressure Up to 420 bar	 Locking mechanism Locking ball + Safety Lock	 Flow rate Up to 750 L/Min
 Temperature (°C) -20° / +100°	 Valving style Flat face	 Connection under pressure Connection: not allowed Disconnection: not allowed

BENEFITS

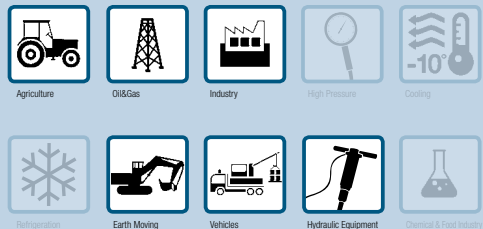
- Flat face is easy to clean, reducing the inclusion of contamination inside the hydraulic circuit.
- Minimal fluid spillage during disconnection, reducing fluid spillage to the environment.
- Minimal air inclusion during connection.
- Internal valve design creates minimal pressure drop, maintaining circuit efficiency in the system
- The modular design allows flexibility with a wide range of configurations.
- Good resistance to pressure impulses.
- Compact slim design.
- Safe and simple to use.

HOW TO USE

- Before to connect, clean the mating surface of the couplings to avoid dirt inclusion in the circuit.
- To connect push the male half towards the female half or vice versa.
- After connection turn the external sleeve to engage safety lock function, to prevent accidental disconnection.
- To disconnect turn the external sleeve until the sleeve lock notch match the safety lock ball and push back the sleeve.



MAIN APPLICATIONS



ISO 16028

PERFORMANCES

Size		Series/Size	Max. flow suggested		Connect force		Disconnect force		Spillage*
Inch	mm (ISO)		l/min	GPM	N	lbf	N	lbf	ml
1/8	-	A4	6	1,59	120	27,00	25	5,63	-
1/4	6,3	A7	24	6,36	150	33,75	45	10,13	0,01
3/8	10,0	A9	46	12,19	170	38,25	40	9,00	0,01
1/2	12,5	A13	90	23,85	190	42,75	50	11,25	0,02
5/8	16,0	A15	148	39,22	190	42,75	55	12,38	0,02
3/4	19,0	A17	200	53,00	220	49,50	70	15,75	0,03
1	25,0	A21	378	100,17	250	56,25	75	16,88	0,03
1-1/4	-	A25	450	119,25	350	78,75	90	20,25	0,17
1-1/2	-	A30	750	198,75	390	87,75	70	15,75	0,05

Size	Series/Size	Max. operating pressure						Burst pressure					
		Coupled		Male		Female		Coupled		Male		Female	
	Inch	MPa	psi	MPa	psi	MPa	psi	MPa	psi	MPa	psi	MPa	psi
1/8	A4	42	6090	42	6090	42	6090	126	18270	126	18270	126	18270
1/4	A7	42	6090	42	6090	42	6090	126	18270	126	18270	126	18270
3/8	A9	35	5075	35	5075	35	5075	100	14500	100	14500	100	14500
1/2	A13	33	4785	33	4785	33	4785	100	14500	100	14500	100	14500
5/8	A15	33	4785	33	4785	33	4785	100	14500	100	14500	100	14500
3/4	A17	33	4785	33	4785	33	4785	100	14500	100	14500	100	14500
1	A21	30	4350	30	4350	30	4350	80	11600	80	11600	80	11600
1-1/4	A25	30	4350	30	4350	30	4350	80	11600	80	11600	80	11600
1-1/2	A30	27	3915	27	3915	27	3915	80	11600	80	11600	70	10150

*Spillage is an indicative value of the fluid loss during disconnection (according to ISO 7241-2 test method)

Temperature range:

- Standard seals NBR (Nitrile): from -20 °C to +100 °C (from -4 °F to +212 °F).
 - VITON® seals: from -15°C to +180°C (from +5 °F to +356 °F).
- Please read carefully "instruction and warning" for proper selection of the products.

Tests:

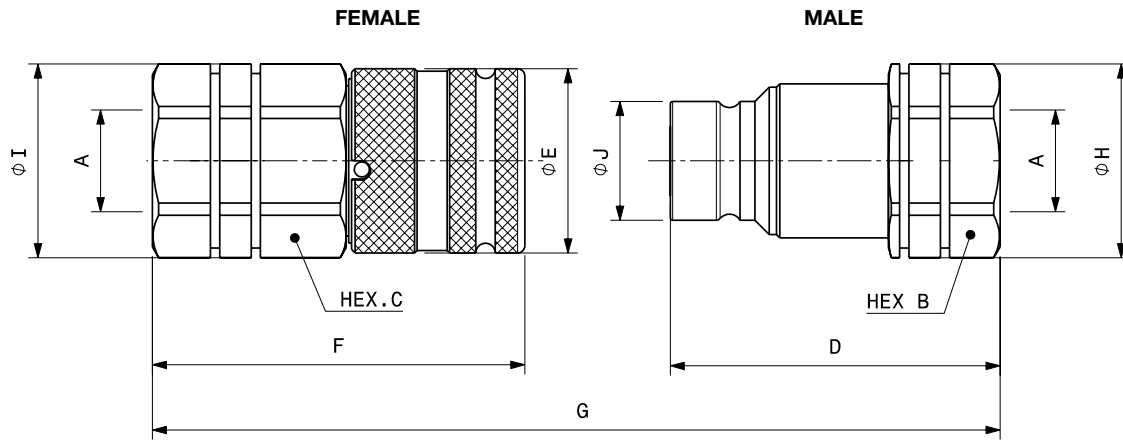
The couplings have been tested at max. operating pressure for 100.000 impulses according to ISO 7241-2.

WARNING

A defect, a wrong choice or an improper use of products, can cause injury to persons, animals and objects.
 Never connect or disconnect with dynamic pressure (e.g. pump on).
 Do not use the female coupling disconnected with high impulse pressure.
 Do not couple-uncouple with flow and/or pressure in the circuit.
 Do not couple-uncouple when the temperature inside of the circuit is higher than 80 °C (176 °F).
 Check the maximum allowable working pressure of the port in use.
 Make sure that the medium used is compatible with seal and material as indicated for each series.
 In case of doubt please contact Stucchi Technical Support.

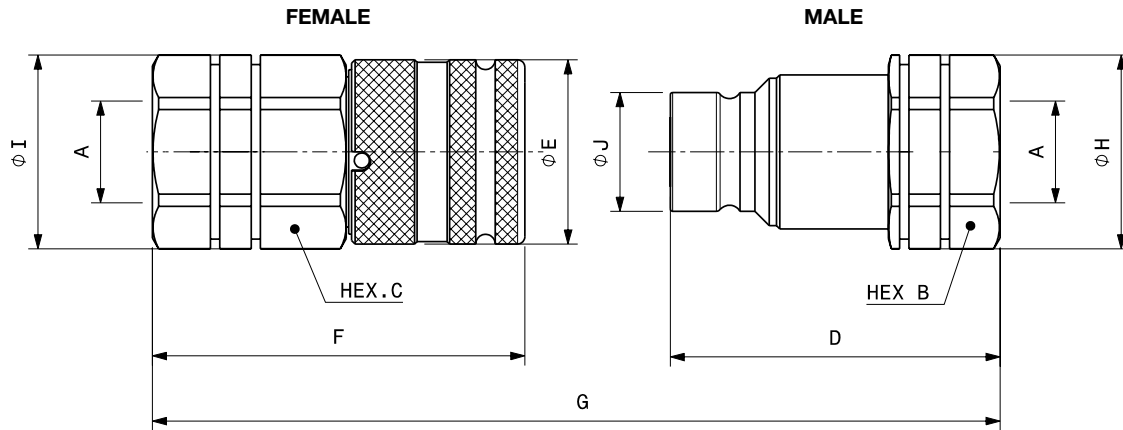
The interchangeability is mentioned under the assumption that the manufacturer of the considered products has not changed any dimension.
It is MANDATORY to read and closely follow the instructions. Last updated version always apply at time of installation, see latest written Instructions on Stucchi website (www.stucchi.it) before selecting or using Stucchi products.

OVERALL DIMENSIONS



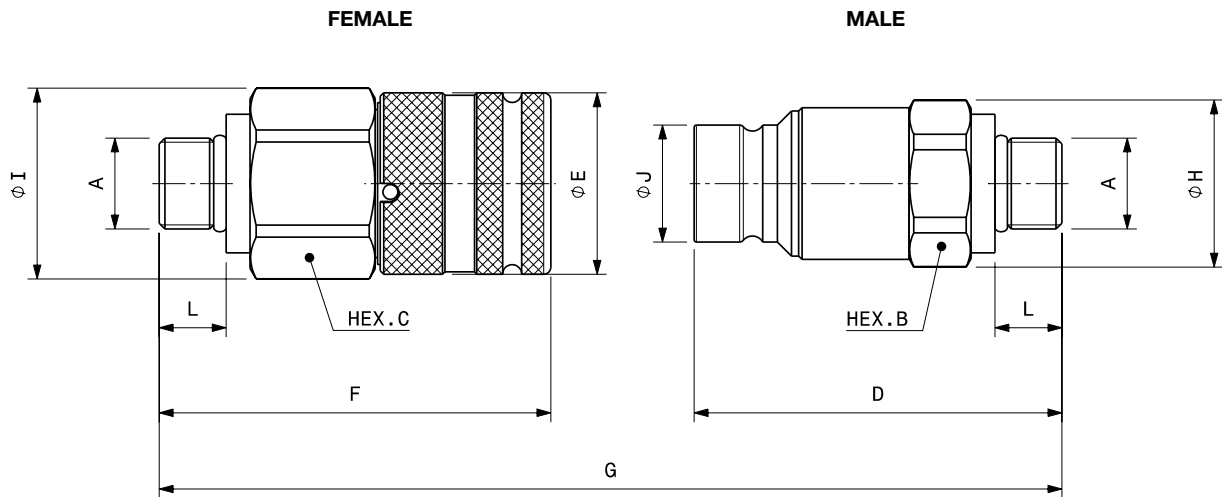
Port description: FEMALE THREAD BSPP (ISO 1179-1)

BODY SIZE	Descriptive Code	Item Code	ISO DN	PORT (A)	Overall Length	Length		Hex		Diameter		Diameter		Weight							
						mm	inch	mm	inch	mm	inch	mm	inch	mm	inch	Kg	Lbs				
1/8"	F A4 1/8 BSP	Female 801300002	-	1/8"	G	68,4	2,69	F	40,0	1,57	C	19,0	0,75	I	20,5	0,81	E	20,0	0,79	0,07	0,16
	M A4 1/8 BSP	Male 801300003						D	36,3	1,43	B	17,0	0,67	H	18,5	0,73	J	11,6	0,46	0,04	0,08
1/4"	F A7 1/4 BSP	Female 801300004	6,3	1/4"	G	90,2	3,55	F	53,1	2,09	C	27,0	1,06	I	29,0	1,14	E	28,0	1,10	0,19	0,41
	M A7 1/4 BSP	Male 801300031						D	47,9	1,89	B	22,0	0,87	H	23,8	0,94	J	16,1	0,63	0,09	0,19
3/8"	F A9 3/8 BSP	Female 801300006	10	3/8"	G	108,8	4,28	F	64,8	2,55	C	30,0	1,18	I	32,0	1,26	E	32,0	1,26	0,27	0,60
	M A9 3/8 BSP	Male 801300005						D	60,0	2,36	B	27,0	1,06	H	29,0	1,14	J	19,7	0,78	0,15	0,32
3/8"	F A9 1/2 BSP	Female 801300008	10	1/2"	G	116,3	4,58	F	69,8	2,75	C	30,0	1,18	I	32,0	1,26	E	32,0	1,26	0,28	0,61
	M A9 1/2 BSP	Male 801300007						D	62,5	2,46	B	27,0	1,06	H	29,0	1,14	J	19,7	0,78	0,14	0,30
1/2"	F A13 1/2 BSP	Female 801300014	12,5	1/2"	G	127,5	5,02	F	76,8	3,02	C	36,0	1,42	I	40,0	1,57	E	38,0	1,50	0,45	1,00
	M A13 1/2 BSP	Male 801300013						D	68,0	2,68	B	36,0	1,42	H	40,0	1,57	J	24,5	0,96	0,24	0,52
1/2"	F A13 3/4 BSP	Female 801300016	12,5	3/4"	G	137,0	5,39	F	83,8	3,30	C	36,0	1,42	I	40,0	1,57	E	38,0	1,50	0,46	1,02
	M A13 3/4 BSP	Male 801300015						D	70,5	2,78	B	36,0	1,42	H	40,0	1,57	J	24,5	0,96	0,27	0,60
5/8"	F A15 3/4 BSP	Female 801300022	16	3/4"	G	139,4	5,49	F	84,0	3,31	C	41,0	1,61	I	44,8	1,76	E	42,0	1,65	0,63	1,38
	M A15 3/4 BSP	Male 801300021						D	73,0	2,87	B	36,0	1,42	H	38,5	1,52	J	27,0	1,06	0,30	0,66
5/8"	F A15 1 BSP	Female 801300034	16	1"	G	145,4	5,72	F	87,0	3,43	C	41,0	1,61	I	44,8	1,76	E	42,0	1,65	0,60	1,32
	M A15 1 BSP	Male 801300035						D	76,0	2,99	B	41,0	1,61	H	44,8	1,76	J	27,0	1,06	0,33	0,73
3/4"	F A17 3/4 BSP	Female 801300040	19	3/4"	G	158,5	6,24	F	96,8	3,81	C	46,0	1,81	I	49,8	1,96	E	48,0	1,89	0,97	2,14
	M A17 3/4 BSP	Male 801300041						D	83,7	3,30	B	46,0	1,81	H	49,8	1,96	J	30,0	1,18	0,53	1,16
3/4"	F A17 1 BSP	Female 801300000	19	1"	G	160,5	6,32	F	98,8	3,89	C	46,0	1,81	I	49,8	1,96	E	48,0	1,89	0,94	2,07
	M A17 1 BSP	Male 801300001						D	83,7	3,30	B	46,0	1,81	H	49,8	1,96	J	30,0	1,18	0,48	1,05
1"	F A21 3/4 BSP	Female 801300048	25	3/4"	G	178,0	7,01	F	102,8	4,05	C	55,0	2,17	I	59,8	2,35	E	55,0	2,17	1,44	3,16
	M A21 3/4 BSP	Male 801300049						D	98,2	3,87	B	55,0	2,17	H	59,8	2,35	J	36,0	1,42	0,97	2,14
1"	F A21 1 BSP	Female 801300050	25	1"	G	178,6	7,03	F	104,8	4,13	C	55,0	2,17	I	59,8	2,35	E	55,0	2,17	1,42	3,12
	M A21 1 BSP	Male 801300051						D	96,8	3,81	B	55,0	2,17	H	59,8	2,35	J	36,0	1,42	0,89	1,96
1"	F A21 1-1/4 BSP	Female 801300024	25	1 1/4"	G	172,8	6,80	F	105,8	4,17	C	55,0	2,17	I	59,8	2,35	E	55,0	2,17	1,31	2,89
	M A21 1-1/4 BSP	Male 801300023						D	90,0	3,54	B	55,0	2,17	H	59,8	2,35	J	36,0	1,42	0,71	1,56
1"	F A21 1-1/2 BSP	Female 801300028	25	1 1/2"	G	182,8	7,20	F	110,8	4,36	C	60,0	2,36	I	64,8	2,55	E	55,0	2,17	1,40	3,08
	M A21 1-1/2 BSP	Male 801300027						D	95,0	3,74	B	60,0	2,36	H	64,8	2,55	J	36,0	1,42	0,80	1,76
1-1/4"	F A25 1 BSP	Female 801300046	-	1"	G	196,8	7,75	F	120,1	4,73	C	55,0	2,17	I	65,0	2,56	E	65,0	2,56	2,09	4,61
	M A25 1 BSP	Male 801300047						D	100,0	3,94	B	55,0	2,17	H	59,8	2,35	J	44,0	1,73	1,13	2,49
1-1/4"	F A25 1-1/4 BSP	Female 801300052	-	1 1/4"	G	206,8	8,14	F	125,1	4,93	C	55,0	2,17	I	65,0	2,56	E	65,0	2,56	2,07	4,56
	M A25 1-1/4 BSP	Male 801300053						D	105,0	4,13	B	55,0	2,17	H	59,8	2,35	J	44,0	1,73	1,09	2,39
1-1/2"	F A30 1-1/4 BSP	Female 801300036	-	1-1/4"	G	214,9	8,46	F	132,4	5,21	C	65,0	2,56	I	69,8	2,75	E	80,0	3,15	3,25	7,16
	M A30 1-1/4 BSP	Male 801300037						D	111,1	4,37	B	65,0	2,56	H	82,0	3,23	J	57,0	2,24	1,75	3,85
1-1/2"	F A30 1-1/2 BSP	Female 801300026	-	1 1/2"	G	214,9	8,46	F	132,4	5,21	C	65,0	2,56	I	82,0	3,23	E	80,0	3,15	3,14	6,92
	M A30 1-1/2 BSP	Male 801300025						D	111,1	4,37	B	65,0	2,56	H	69,8	2,75	J	57,0	2,24	1,67	3,67
1-1/2"	F A30 2 BSP	Female 801300038	-	2"	G	228,4	8,99	F	138,0	5,43	C	75,0	2,95	I	82,0	3,23	E	80,0	3,15	3,33	7,33
	M A30 2 BSP	Male 801300039						D	119,0	4,69	B	75,0	2,95	H	82,0	3,23	J	57,0	2,24	1,93	4,25



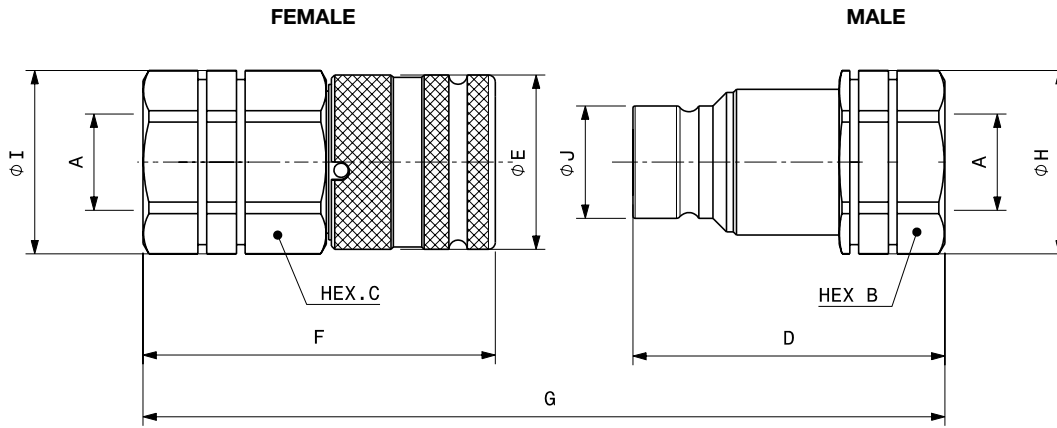
Port description: FEMALE THREAD NPT (ANSI B1.20.1)

BODY SIZE	Descriptive Code	Item Code	ISO DN	PORT (A)	Overall Length		Length		Hex		Diameter		Diameter		Weight						
					mm	inch	mm	inch	mm	inch	mm	inch	mm	inch	Kg	Lbs					
1/8"	F A4 1/8 NPT	Female 801301002		1/8"	G	68,4	2,69	F	40,0	1,57	C	19,0	0,75	I	20,5	0,81	E	20,0	0,79	0,07	0,16
	M A4 1/8 NPT	Male 801301003						D	36,3	1,43	B	17,0	0,67	H	18,5	0,73	J	11,6	0,46	0,04	0,08
1/4"	F A7 1/4 NPT	Female 801301004	6,3	1/4"	G	90,2	3,55	F	53,1	2,09	C	27,0	1,06	I	29,0	1,14	E	28,0	1,10	0,09	0,19
	M A7 1/4 NPT	Male 801301023						D	47,9	1,89	B	22,0	0,87	H	23,8	0,94	J	16,1	0,63	0,19	0,41
3/8"	F A9 3/8 NPT	Female 801301006	10	3/8"	G	108,8	4,28	F	64,8	2,55	C	30,0	1,18	I	32,0	1,26	E	32,0	1,26	0,15	0,33
	M A9 3/8 NPT	Male 801301005						D	60,0	2,36	B	27,0	1,06	H	29,0	1,14	J	19,7	0,78	0,27	0,60
3/8"	F A9 1/2 NPT	Female 801301008	10	1/2"	G	116,3	4,58	F	69,8	2,75	C	30,0	1,18	I	32,0	1,26	E	32,0	1,26	0,14	0,30
	M A9 1/2 NPT	Male 801301007						D	62,5	2,46	B	27,0	1,06	H	29,0	1,14	J	19,7	0,78	0,28	0,61
1/2"	F A13 1/2 NPT	Female 801301010	12,5	1/2"	G	127,5	5,02	F	76,8	3,02	C	36,0	1,42	I	40,0	1,57	E	38,0	1,50	0,30	0,65
	M A13 1/2 NPT	Male 801301009						D	68,0	2,68	B	36,0	1,42	H	40,0	1,57	J	24,5	0,96	0,45	1,00
1/2"	F A13 3/4 NPT	Female 801301012	12,5	3/4"	G	137,0	5,39	F	83,8	3,30	C	36,0	1,42	I	40,0	1,57	E	38,0	1,50	0,27	0,60
	M A13 3/4 NPT	Male 801301011						D	70,5	2,78	B	36,0	1,42	H	40,0	1,57	J	24,5	0,96	0,47	1,03
5/8"	F A15 3/4 NPT	Female 801301014	16	3/4"	G	139,4	5,49	F	84,0	3,31	C	41,0	1,61	I	44,8	1,76	E	42,0	1,65	0,29	0,64
	M A15 3/4 NPT	Male 801301013						D	73,0	2,87	B	36,0	1,42	H	38,5	1,52	J	27,0	1,06	0,63	1,39
5/8"	F A15 1 NPT	Female 801301020	16	1"	G	145,4	5,72	F	87,0	3,43	C	41,0	1,61	I	44,8	1,76	E	42,0	1,65	0,34	0,74
	M A15 1 NPT	Male 801301019						D	76,0	2,99	B	41,0	1,61	H	44,8	1,76	J	27,0	1,06	0,61	1,33
3/4"	F A17 3/4 NPT	Female 801301030	19	3/4"	G	157,5	6,20	F	95,8	3,77	C	46,0	1,81	I	49,8	1,96	E	48,0	1,89	0,54	1,18
	M A17 3/4 NPT	Male 801301031						D	83,7	3,30	B	46,0	1,81	H	49,8	1,96	J	30,0	1,18	0,96	2,12
3/4"	F A17 1 NPT	Female 801301000	19	1"	G	160,5	6,32	F	98,8	3,89	C	46,0	1,81	I	49,8	1,96	E	48,0	1,89	0,47	1,04
	M A17 1 NPT	Male 801301001						D	83,7	3,30	B	46,0	1,81	H	49,8	1,96	J	30,0	1,18	0,93	2,05
1"	F A21 1 NPT	Female 801301028	25	1"	G	178,6	7,03	F	104,8	4,13	C	55,0	2,17	I	59,8	2,35	E	55,0	2,17	0,90	1,98
	M A21 1 NPT	Male 801301029						D	96,8	3,81	B	55,0	2,17	H	59,8	2,35	J	36,0	1,42	1,43	3,15
1"	F A21 1-1/4 NPT	Female 801301016	25	1-1/4"	G	172,8	6,80	F	105,8	4,17	C	55,0	2,17	I	59,8	2,35	E	55,0	2,17	0,70	1,54
	M A21 1-1/4 NPT	Male 801301015						D	90,0	3,54	B	55,0	2,17	H	59,8	2,35	J	36,0	1,42	1,31	2,89
1"	F A21 1-1/2 NPT	Female 801301026	25	1-1/2"	G	182,8	7,20	F	110,8	4,36	C	60,0	2,36	I	64,8	2,55	E	55,0	2,17	0,75	1,66
	M A21 1-1/2 NPT	Male 801301027						D	95,0	3,74	B	60,0	2,36	H	64,8	2,55	J	36,0	1,42	1,37	3,01
1-1/4"	F A25 1 NPT	Female 801301032		1"	G	206,8	8,14	F	125,1	4,93	C	55,0	2,17	I	65,0	2,56	E	65,0	2,56	1,13	2,49
	M A25 1 NPT	Male 801301033						D	105,0	4,13	B	55,0	2,17	H	59,8	2,35	J	44,0	1,73	2,09	4,61
1-1/4"	F A25 1-1/4 NPT	Female 801301034		1-1/4"	G	206,8	8,14	F	125,1	4,93	C	55,0	2,17	I	65,0	2,56	E	65,0	2,56	1,11	2,44
	M A25 1-1/4 NPT	Male 801301035						D	105,0	4,13	B	55,0	2,17	H	59,8	2,35	J	44,0	1,73	2,10	4,63
1-1/2"	F A30 1-1/2 NPT	Female 801301018		1-1/2"	G	214,9	8,46	F	132,4	5,21	C	65,0	2,56	I	82,0	3,23	E	80,0	3,15	1,67	3,67
	M A30 1-1/2 NPT	Male 801301017						D	111,1	4,37	B	65,0	2,56	H	69,8	2,75	J	57,0	2,24	3,14	6,92
1-1/2"	F A30 2 NPT	Female 801301024		2"	G	228,4	8,99	F	138,0	5,43	C	75,0	2,95	I	82,0	3,23	E	80,0	3,15	1,94	4,28
	M A30 2 NPT	Male 801301025						D	119,0	4,69	B	75,0	2,95	H	82,0	3,23	J	57,0	2,24	3,25	7,17



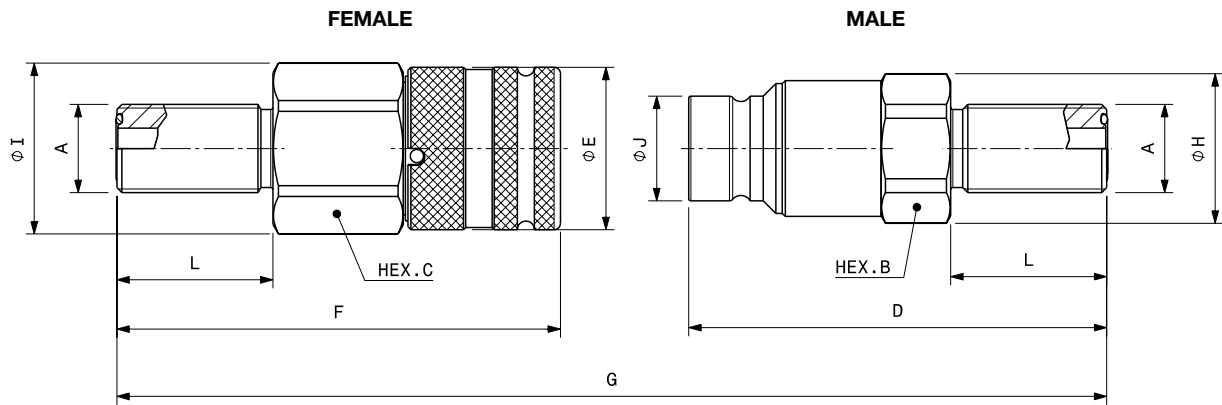
Port description: MALE THREAD SAE – (ISO 11926-2 & SAE J514)

BODY SIZE	Descriptive Code	Item Code	ISO DN	PORT (A)	Overall Length	Length		Hex		Diameter		Diameter		Length		Weight								
						mm	inch	mm	inch	mm	inch	mm	inch	mm	inch	Kg	Lbs							
1/4"	M A7 3/8 SAE EST	Female -	6,3	9/16 -18UNF	G	-	-	F	-	C	-	I	-	E	-	L	10,0	0,39						
		Male 801304021						D	51,9	2,04	B	22,0	0,87	H	23,8				0,94	J	16,1	0,63		
3/8"	M A9 3/8 SAE EST	Female -	10	9/16 -18UNF	G	-	-	F	-	C	-	I	-	E	-	L	9,9	0,39						
		Male 801304037						D	65,5	2,58	B	27,0	1,06	H	29,0				1,14	J	19,7	0,78		
3/8"	F A9 1/2 SAE EST	Female -	10	3/4 -16UNF	G	116,8	4,60	F	68,7	2,70	C	30,0	1,18	I	32,0	1,26	E	32,0	1,26	L	11,1	0,44	0,26	0,57
		Male 801304033						D	64,1	2,52	B	27,0	1,06	H	29,0	1,14	J	19,7	0,78					
1/2"	M A13 5/8 SAE EST	Female -	12,5	7/8 -14UNF	G	-	-	F	-	C	-	I	-	E	-	L	12,7	0,50						
		Male 801304047						D	72,7	2,86	B	36,0	1,42	H	40,0				1,57	J	24,5	0,96		
5/8"	F A15 3/4 SAE EST	Female -	16	1-1/16-12UN	G	140,1	5,52	F	82,6	3,25	C	41,0	1,61	I	44,8	1,76	E	42,0	1,65	L	15,1	0,59	0,56	1,23
		Male 801304023						D	75,1	2,96	B	36,0	1,42	H	38,5	1,52	J	27,0	1,06					



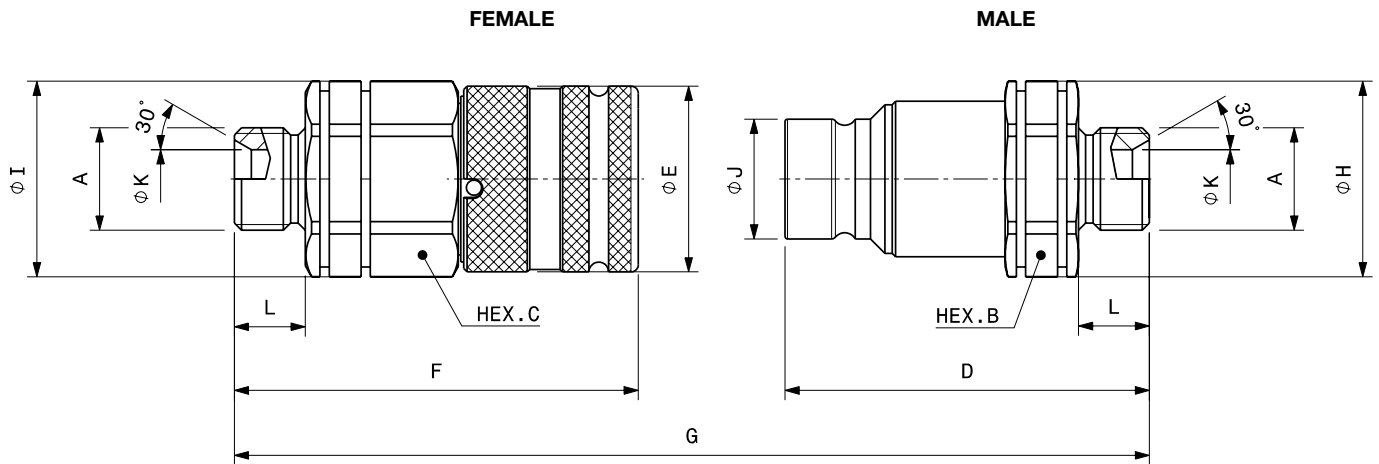
Port description: FEMALE THREAD SAE (ISO 11926-1 & SAEJ1926-1)

BODY SIZE	Descriptive Code	Item Code	ISO DN	PORT (A)	Overall Length		Length		Hex		Diameter		Diameter		Weight							
					mm	inch	mm	inch	mm	inch	mm	inch	mm	inch	Kg	Lbs						
1/8"	F A4 3/16 SAE	Female	801304002	-	3/8-24UNF	G	68,4	2,69	F	40,0	1,57	C	19,0	0,75	I	20,5	0,81	E	20,0	0,79	0,08	0,17
	M A4 3/16 SAE	Male	801304003	-	3/8-24UNF	G	68,4	2,69	D	36,3	1,43	B	17,0	0,67	H	18,5	0,73	J	11,6	0,46	0,04	0,08
1/8"	F A4 1/4 SAE	Female	801304044	-	7/16 - 20UNF	G	84,3	3,32	F	44,0	1,73	C	19,0	0,75	I	20,5	0,81	E	11,6	0,79	0,04	0,09
	M A4 1/4 SAE	Male	801304045	-	7/16 - 20UNF	G	84,3	3,32	D	40,3	1,59	B	17,0	0,67	H	18,5	0,73	J	20,0	0,46	0,08	0,17
1/4"	F A7 3/8 SAE	Female	801304004	6,3	9/16-18UNF	G	96,2	3,79	F	56,1	2,21	C	27,0	1,06	I	29,0	1,14	E	16,1	1,10	0,09	0,20
	M A7 3/8 SAE	Male	801304017	6,3	9/16-18UNF	G	96,2	3,79	D	50,9	2,00	B	22,0	0,87	H	23,8	0,94	J	28,0	0,63	0,20	0,44
3/8"	F A9 3/8 SAE	Female	801304006	10	9/16-18UNF	G	108,8	4,28	F	64,8	2,55	C	30,0	1,18	I	32,0	1,26	E	19,7	1,26	0,08	0,19
	M A9 3/8 SAE	Male	801304005	10	9/16-18UNF	G	108,8	4,28	D	60,0	2,36	B	27,0	1,06	H	29,0	1,14	J	32,0	0,78	0,27	0,60
3/8"	F A9 1/2 SAE	Female	801304008	10	3/4-16UNF	G	116,3	4,58	F	69,8	2,75	C	30,0	1,18	I	32,0	1,26	E	19,7	1,26	0,15	0,32
	M A9 1/2 SAE	Male	801304007	10	3/4-16UNF	G	116,3	4,58	D	62,5	2,46	B	27,0	1,06	H	29,0	1,14	J	32,0	0,78	0,29	0,63
3/8"	F A9 5/8 SAE	Female	801304030	10	7/8-14UNF	G	121,3	4,78	F	71,8	2,83	C	30,0	1,18	I	32,0	1,26	E	19,7	1,26	0,17	0,36
	M A9 5/8 SAE	Male	801304031	10	7/8-14UNF	G	121,3	4,78	D	65,5	2,58	B	30,0	1,18	H	32,0	1,26	J	32,0	0,78	0,28	0,61
1/2"	F A13 5/8 SAE	Female	801304024	12,5	7/8-14UNF	G	131,5	5,18	F	78,8	3,10	C	36,0	1,42	I	40,0	1,57	E	24,5	1,50	0,29	0,65
	M A13 5/8 SAE	Male	801304025	12,5	7/8-14UNF	G	131,5	5,18	D	70,0	2,76	B	36,0	1,42	H	40,0	1,57	J	38,0	0,96	0,46	1,01
1/2"	F A13 3/4 SAE	Female	801304010	12,5	1-1/16-12UN	G	139,0	5,47	F	83,8	3,30	C	36,0	1,42	I	40,0	1,57	E	24,5	1,50	0,28	0,61
	M A13 3/4 SAE	Male	801304009	12,5	1-1/16-12UN	G	139,0	5,47	D	72,5	2,85	B	36,0	1,42	H	40,0	1,57	J	38,0	0,96	0,46	1,02
5/8"	F A15 3/4 SAE	Female	801304012	16	1-1/16-12UN	G	139,4	5,49	F	84,0	3,31	C	41,0	1,61	I	44,8	1,76	E	27,0	1,65	0,30	0,65
	M A15 3/4 SAE	Male	801304011	16	1-1/16-12UN	G	139,4	5,49	D	73,0	2,87	B	36,0	1,42	H	38,5	1,52	J	42,0	1,06	0,63	1,38
3/4"	F A17 3/4 SAE	Female	801304028	19	1-1/16-12UN	G	160,5	6,32	F	98,8	3,89	C	46,0	1,81	I	49,8	1,96	E	30,0	1,89	0,52	1,15
	M A17 3/4 SAE	Male	801304029	19	1-1/16-12UN	G	160,5	6,32	D	83,7	3,30	B	46,0	1,81	H	49,8	1,96	J	48,0	1,18	0,99	2,17
3/4"	F A17 1 SAE	Female	801304000	19	1-5/16-12UN	G	160,5	6,32	F	98,8	3,89	C	46,0	1,81	I	49,8	1,96	E	30,0	1,89	0,47	1,03
	M A17 1 SAE	Male	801304001	19	1-5/16-12UN	G	160,5	6,32	D	83,7	3,30	B	46,0	1,81	H	49,8	1,96	J	48,0	1,18	0,93	2,05
3/4"	F A17 1-1/4 SAE	Female	801304026	19	1-5/8-12UN	G	191,1	7,52	F	103,3	4,07	C	55,0	2,17	I	59,8	2,35	E	30,0	1,89	0,00	0,00
	M A17 1-1/4 SAE	Male	801304027	19	1-5/8-12UN	G	191,1	7,52	D	87,8	3,46	B	55,0	2,17	H	59,8	2,35	J	48,0	1,18	0,00	0,00
1"	F A21 1 SAE	Female	801304038	25	1-5/16-12UN	G	178,6	7,03	F	104,8	4,13	C	55,0	2,17	I	59,8	2,35	E	36,0	2,17	0,89	1,96
	M A21 1 SAE	Male	801304039	25	1-5/16-12UN	G	178,6	7,03	D	96,8	3,81	B	55,0	2,17	H	59,8	2,35	J	55,0	1,42	1,42	3,12
1"	F A21 1-1/4 SAE	Female	801304014	25	1-5/8-12UN	G	172,8	6,80	F	105,8	4,17	C	55,0	2,17	I	59,8	2,35	E	36,0	2,17	0,71	1,56
	M A21 1-1/4 SAE	Male	801304013	25	1-5/8-12UN	G	172,8	6,80	D	90,0	3,54	B	55,0	2,17	H	59,8	2,35	J	55,0	1,42	1,32	2,91
1-1/4"	F A25 1 SAE	Female	801304040	-	1-5/16-12UN	G	206,8	8,14	F	125,1	4,93	C	55,0	2,17	I	65,0	2,56	E	44,0	2,56	1,13	2,49
	M A25 1 SAE	Male	801304041	-	1-5/16-12UN	G	206,8	8,14	D	105,0	4,13	B	55,0	2,17	H	59,8	2,35	J	65,0	1,73	2,09	4,61
1-1/4"	F A25 1-1/4 SAE	Female	801304042	-	1-5/8-12UN	G	206,8	8,14	F	125,1	4,93	C	55,0	2,17	I	65,0	2,56	E	44,0	2,56	1,09	2,39
	M A25 1-1/4 SAE	Male	801304043	-	1-5/8-12UN	G	206,8	8,14	D	105,0	4,13	B	55,0	2,17	H	59,8	2,35	J	65,0	1,73	2,07	4,56
1-1/2"	F A30 1-1/2 SAE	Female	801304016	-	1-7/8-12UN	G	214,9	8,46	F	132,4	5,21	C	65,0	2,56	I	82,0	3,23	E	57,0	3,15	1,66	3,66
	M A30 1-1/2 SAE	Male	801304015	-	1-7/8-12UN	G	214,9	8,46	D	111,1	4,37	B	65,0	2,56	H	69,8	2,75	J	80,0	2,24	3,16	6,97



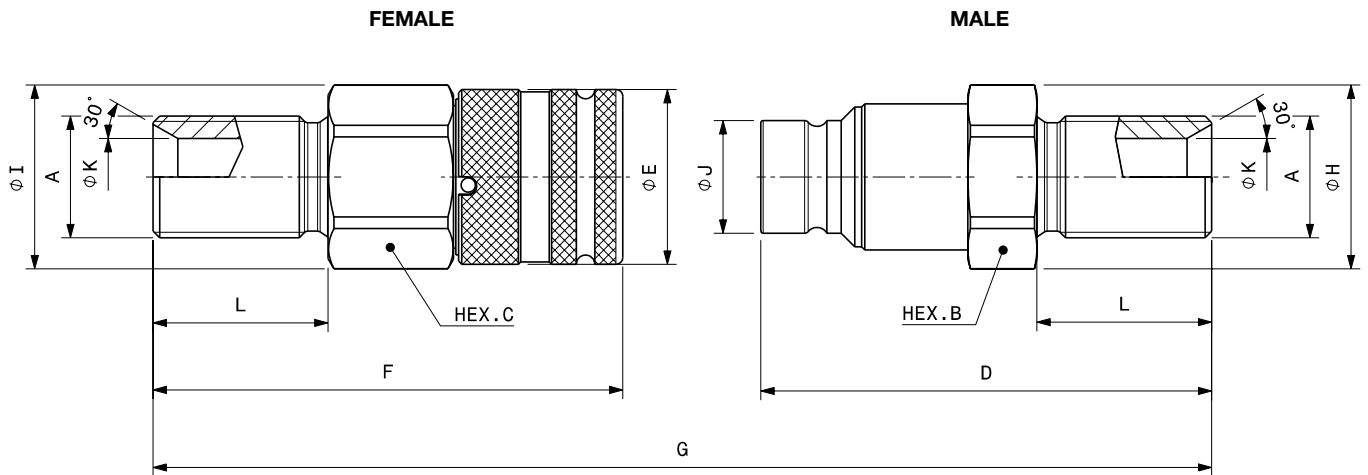
Port description: ORFS BULKHEAD (ISO 8434-3 & SAE J1453)

BODY SIZE	Descriptive Code	Item Code	ISO DN	PORT (A)	Overall Length		Length		Hex		Diameter		Diameter		Lenght		Weight							
					mm	inch	mm	inch	mm	inch	mm	inch	mm	inch	mm	inch	Kg	Lbs						
3/8"	F A9 3/8 ORFS BH	Female 801313014	10	11/16-16UN	G	185,3	7,30	F	95,1	3,74	C	30,0	1,18	I	32,0	1,26	E	32,0	1,26	L	34,0	1,34	0,32	0,71
	M A9 3/8 ORFS BH	Male 801313015						D	90,2	3,55	B	27,0	1,06	H	29,0	1,14	J	19,7	0,78	L	34,0	1,34	0,19	0,41
1/2"	F A13 1/2 ORFS BH	Female 801313018	12,5	13/16-16UN	G	201,6	7,94	F	103,8	4,09	C	36,0	1,42	I	40,0	1,57	E	38,0	1,50	L	36,5	1,44	0,47	1,03
	M A13 1/2 ORFS BH	Male 801313019						D	97,8	3,85	B	32,0	1,26	H	35,0	1,38	J	24,5	0,96	L	36,5	1,44	0,30	0,67
1/2"	F A13 5/8 ORFS BH33	Female 801313000	12,5	1-14UNS	G	189,0	7,44	F	96,0	3,78	C	36,0	1,42	I	40,0	1,57	E	38,0	1,50	L	33,0	1,30	0,46	1,02
	M A13 5/8 ORFS BH33	Male 801313001						D	93,0	3,66	B	32,0	1,26	H	35,0	1,38	J	24,5	0,96	L	33,0	1,30	0,32	0,69
1/2"	F A13 3/4 ORFS BH	Female 801313004	12,5	1-3/16-12UN	G	206,4	8,13	F	104,7	4,12	C	36,0	1,26	I	40,0	1,57	E	38,0	1,50	L	41,7	1,64	0,52	2,34
	M A13 3/4 ORFS BH	Male 801313005						D	101,7	4,00	B	32,0	1,26	H	35,0	1,38	J	24,5	0,96	L	41,7	1,64	0,37	0,82
1/2"	F A13 1' ORFS BH	Female 801313006	12,5	1-7/16-12UN	G	207,4	8,16	F	105,2	4,14	C	38,0	1,50	I	42,0	1,65	E	38,0	1,50	L	42,2	1,66	0,60	5,16
	M A13 1' ORFS BH	Male 801313007						D	102,2	4,02	B	38,0	1,50	H	42,0	1,65	J	24,5	0,96	L	42,2	1,66	0,47	1,03
5/8"	F A15 3/4 ORFS BH	Female 801313022	16	1-3/16-12UN	G	214,0	8,43	F	111,5	4,39	C	41,0	1,61	I	44,8	1,76	E	42,0	1,65	L	41,5	1,63	0,69	1,52
	M A15 3/4 ORFS BH	Male 801313023						D	102,5	4,04	B	36,0	1,42	H	38,5	1,52	J	27,0	1,06	L	41,5	1,63	0,41	0,90
3/4"	F A17 1' ORFS BH	Female 801313008	19	1-7/16-12UN	G	249,7	9,83	F	132,5	5,22	C	46,0	1,81	I	49,8	1,96	E	48,0	1,89	L	42,2	1,66	1,13	2,48
	M A17 1' ORFS BH	Male 801313009						D	117,2	4,61	B	46,0	1,81	H	49,8	1,96	J	30,0	1,18	L	42,2	1,66	0,66	1,46
1"	F A21 1-1/4 ORFS BH	Female 801313026	25	1-11/16-12UN	G	257,8	10,15	F	133,8	5,27	C	55,0	2,17	I	59,8	2,35	E	55,0	2,17	L	42,0	1,65	1,51	3,32
	M A21 1-1/4 ORFS BH	Male 801313027						D	124,0	4,88	B	55,0	2,17	H	59,8	2,35	J	36,0	1,42	L	42,0	1,65	0,97	2,13



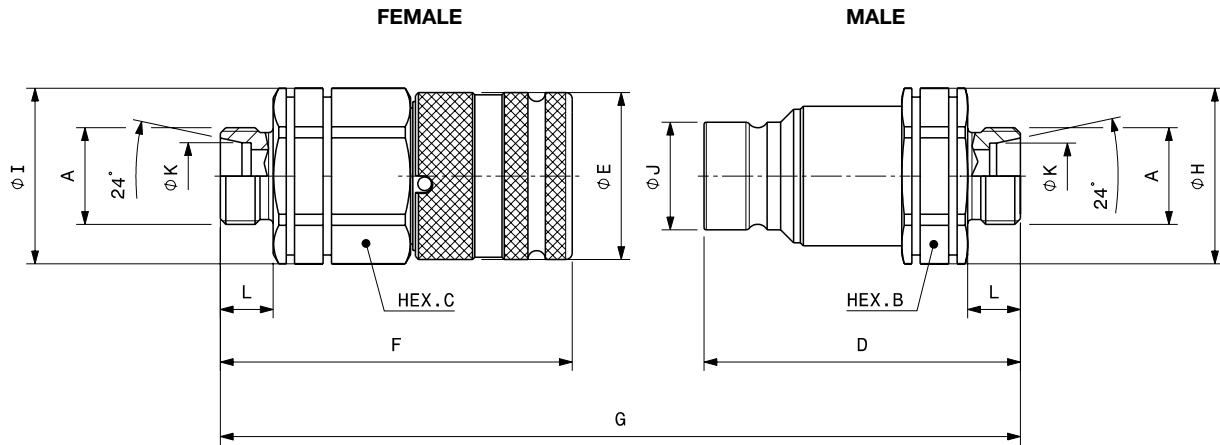
Port description: MALE THREAD BSPP (ISO 8434-6)

BODY SIZE	Descriptive Code	Item Code	ISO DN	PORT (A)	Overall Length	Length		Hex		Diameter		Diameter		Lenght		Weight								
						mm	inch	mm	inch	mm	inch	mm	inch	mm	inch	mm	inch	Kg	Lbs					
1/4"	F A7 1/4 BSP EST	Female 801300030	6,3	1/4"	G	106,0	4,17	F	53,1	2,09	C	27,0	1,06	I	29,0	1,14	E	28,0	1,10	L	11,0	0,43	0,16	0,34
	M A7 1/4 BSP EST	Male 801300029						D	52,9	2,08	B	22,0	0,87	H	23,8	0,94	J	16,1	0,63					
3/8"	F A9 3/8 BSP EST	Female 801300010	10	3/8"	G	137,1	5,40	F	71,1	2,80	C	30,0	1,18	I	32,0	1,26	E	32,0	1,26	L	13,0	0,51	0,26	0,57
	M A9 3/8 BSP EST	Male 801300009						D	66,0	2,60	B	27,0	1,06	H	29,0	1,14	J	19,7	0,78					
3/8"	F A9 1/2 BSP EST	Female 801300012	10	1/2"	G	138,6	5,46	F	71,1	2,80	C	30,0	1,18	I	32,0	1,26	E	32,0	1,26	L	14,5	0,57	0,26	0,57
	M A9 1/2 BSP EST	Male 801300011						D	67,5	2,66	B	27,0	1,06	H	29,0	1,14	J	19,7	0,78					
1/2"	F A13 1/2 BSP EST	Female 801300018	12,5	1/2"	G	157,1	6,19	F	82,6	3,25	C	36,0	1,42	I	40,0	1,57	E	38,0	1,50	L	14,5	0,57	0,43	0,94
	M A13 1/2 BSP EST	Male 801300017						D	74,5	2,93	B	36,0	1,42	H	40,0	1,57	J	24,5	0,96					
1/2"	F A13 3/4 BSP EST	Female 801300020	12,5	3/4"	G	161,1	6,34	F	84,6	3,33	C	36,0	1,42	I	40,0	1,57	E	38,0	1,50	L	16,5	0,65	0,45	0,98
	M A13 3/4 BSP EST	Male 801300019						D	76,5	3,01	B	36,0	1,42	H	40,0	1,57	J	24,5	0,96					
5/8"	F A15 3/4 BSP EST	Female 801300032	16	3/4"	G	-	-	F	84,0	3,31	C	41,0	1,61	I	44,8	1,76	E	42,0	1,65	L	16,5	0,65	0,66	1,45
	Male -	-						D	-	-	B	-	-	H	-	-	J	-	-					



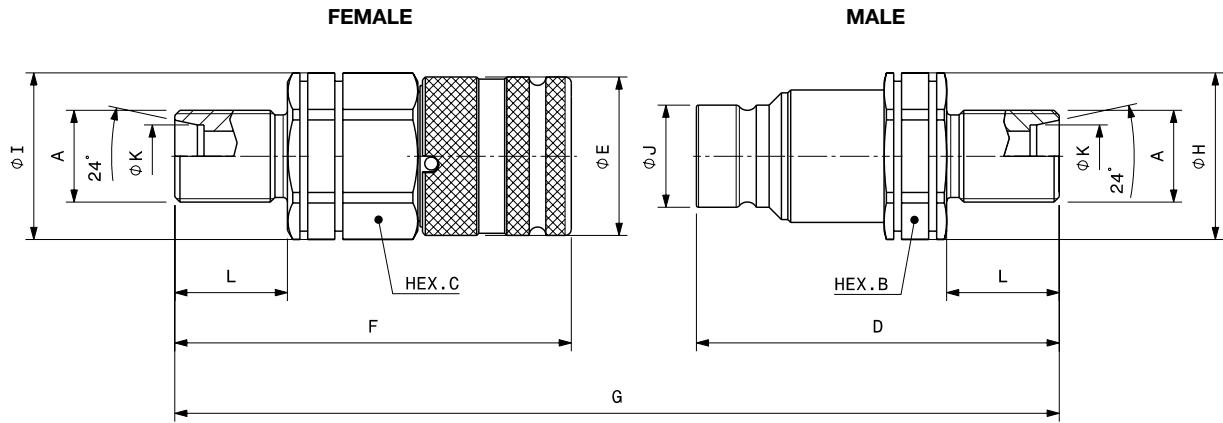
Port description: MALE THREAD BSPP schott and bulkhead (ISO 8434-6)

BODY SIZE	Descriptive Code	Item Code	ISO DN	PORT (A)	Overall Length	Length		Hex		Diameter		Diameter		Lenght		Weight								
						mm	inch	mm	inch	mm	inch	mm	inch	mm	inch	mm	inch	Kg	Lbs					
3/8"	F A9 3/8 BSP BH32	Female 801300044	10	3/8"	G	175,1	6,89	F	90,1	3,55	C	30,0	1,18	I	32,0	1,26	E	32,0	1,26	L	32,0	32,00	0,29	0,63
	M A9 3/8 BSP BH32	Male 801300045						D	85,0	3,35	B	27,0	1,06	H	29,0	1,14	J	19,7	0,78					
3/8"	F A9 1/2 BSP BH35	Female 801300054	10	1/2"	G	181,9	7,16	F	93,4	3,68	C	30,0	1,18	I	32,0	1,26	E	32,0	1,26	L	35,0	35,00	0,31	0,68
	M A9 1/2 BSP BH35	Male 801300055						D	88,4	3,48	B	27,0	1,06	H	29,0	1,14	J	19,7	0,78					
1/2"	F A13 3/4 BSP BH38	Female 801300056	12,5	3/4"	G	200,1	7,88	F	102,1	4,02	C	36,0	1,42	I	40,0	1,57	E	38,0	1,50	L	38,0	38,00	0,46	1,01
	M A13 3/4 BSP BH38	Male 801300057						D	98,0	3,86	B	36,0	1,42	H	40,0	1,57	J	24,5	0,96					
3/4"	F A17 1" BSP BH41	Female 801300058	19	1"	G	243,3	9,58	F	127,3	5,01	C	46,0	1,81	I	49,8	1,96	E	48,0	1,89	L	41,0	41,00	1,00	2,19
	M A17 1" BSP BH41	Male 801300059						D	116,0	4,57	B	46,0	1,81	H	49,8	1,96	J	30,0	1,18					



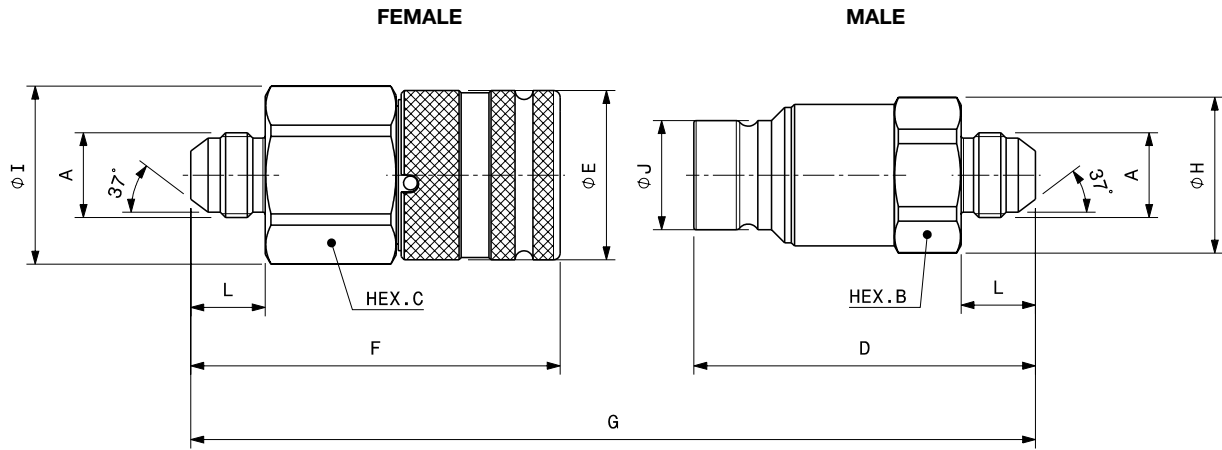
Port description: MALE THREAD L SERIES -24° CONE (ISO 8434-1 & DIN 2353)

BODY SIZE	Descriptive Code	Item Code	ISO DN	PORT (A)	Overall Length	Length		Hex		Diameter		Diameter		Diameter		Length		Weight									
						mm	inch	mm	inch	mm	inch	mm	inch	mm	inch	mm	inch	mm	inch	mm	inch	Kg	Lbs				
1/4"	F A7 L8	Female 801308014	6,3	M14x1.5	G	104,0	4,09	F	52,1	2,05	C	27,0	1,06	I	29,0	1,14	E	28,0	1,10	K	8,2	0,32	L	10,00	0,39	0,16	0,34
	M A7 L8	Male 801308015						D	51,9	2,04	B	22,0	0,87	H	23,8	0,94	J	16,1	0,63								
1/4"	F A7 L10	Female 801308010	6,3	M16x1.5	G	106,0	4,17	F	53,1	2,09	C	27,0	1,06	I	29,0	1,14	E	28,0	1,10	K	10,2	0,40	L	11,00	0,43	0,12	0,25
	M A7 L10	Male 801308011						D	52,9	2,08	B	22,0	0,87	H	23,8	0,94	J	16,1	0,63								
1/4"	F A7 L12	Female 801308036	6,3	M18x1.5	G	-	-	F	53,1	2,09	C	27,0	1,06	I	29,0	1,14	E	28,0	1,10	K	12,2	0,48	L	11,00	0,43	0,16	0,34
	Male	-						D	-	-	B	-	-	H	-	-	J	-	-								
3/8"	F A9 L8	Female 801308038	10	M14x1.5	G	133,5	5,26	F	69,0	2,72	C	30,0	1,18	I	32,0	1,26	E	32,0	1,26	K	8,0	0,32	L	10,00	0,39	0,27	0,59
	M A9 L8	Male 801308039						D	64,5	2,54	B	30,0	1,18	H	32,0	1,26	J	19,7	0,78								
3/8"	A 9 L10	Female 801308008	10	M16x1.5	G	135,1	5,32	F	69,6	2,74	C	30,0	1,18	I	32,0	1,26	E	32,0	1,26	K	10,2	0,40	L	11,00	0,43	0,26	0,57
	A 9 L10	Male 801308009						D	65,5	2,58	B	30,0	1,18	H	32,0	1,26	J	19,7	0,78								
3/8"	A 9 L12	Female 801308004	10	M18x1.5	G	133,1	5,24	F	67,6	2,66	C	30,0	1,18	I	32,0	1,26	E	32,0	1,26	K	12,2	0,48	L	11,00	0,43	0,25	0,55
	A 9 L12	Male 801308005						D	65,5	2,58	B	30,0	1,18	H	32,0	1,26	J	19,7	0,78								
3/8"	A 9 L15	Female 801308006	10	M22x1.5	G	135,1	5,32	F	68,6	2,70	C	30,0	1,18	I	32,0	1,26	E	32,0	1,26	K	15,2	0,60	L	12,00	0,47	0,26	0,56
	A 9 L15	Male 801308007						D	66,5	2,62	B	30,0	1,18	H	32,0	1,26	J	19,7	0,78								
3/8"	F A9 L18	Female 801308034	10	M26x1.5	G	135,1	5,32	F	68,6	2,70	C	30,0	1,18	I	32,0	1,26	E	32,0	1,26	K	18,2	0,72	L	12,00	0,47	0,27	0,60
	M A9 L18	Male 801308035						D	66,5	2,62	B	30,0	1,18	H	32,0	1,26	J	19,7	0,78								
1/2"	A 13 L12	Female 801308000	12,5	M18x1.5	G	150,1	5,91	F	79,1	3,11	C	36,0	1,42	I	40,0	1,57	E	38,0	1,50	K	12,2	0,48	L	11,00	0,43	0,42	0,92
	A 13 L12	Male 801308001						D	71,0	2,80	B	36,0	1,42	H	40,0	1,57	J	24,5	0,96								
1/2"	A 13 L15	Female 801308002	12,5	M22x1.5	G	152,1	5,99	F	80,1	3,15	C	36,0	1,42	I	40,0	1,57	E	38,0	1,50	K	15,2	0,60	L	12,00	0,47	0,43	0,94
	A 13 L15	Male 801308003						D	72,0	2,83	B	36,0	1,42	H	40,0	1,57	J	24,5	0,96								
1/2"	F A13 L18	Female 801308042	12,5	M26x1.5	G	152,1	5,99	F	80,1	3,15	C	36,0	1,42	I	40,0	1,57	E	38,0	1,50	K	18,2	0,72	L	12,00	0,47	0,44	0,96
	M A13 L18	Male 801308043						D	72,0	2,83	B	36,0	1,42	H	40,0	1,57	J	24,5	0,96								
1/2"	F A13 L22	Female 801308040	12,5	M30x2	G	156,1	6,15	F	82,1	3,23	C	36,0	1,42	I	40,0	1,57	E	38,0	1,50	K	22,2	0,87	L	14,00	0,55	0,44	0,96
	M A13 L22	Male 801308041						D	74,0	2,91	B	36,0	1,42	H	40,0	1,57	J	24,5	0,96								
5/8"	F A15 L15	Female 801308016	16	M22x1.5	G	157,5	6,20	F	84,5	3,33	C	41,0	1,61	I	44,8	1,76	E	42,0	1,65	K	15,2	0,60	L	12,00	0,47	0,59	1,29
	M A15 L15	Male 801308017						D	73,0	2,87	B	36,0	1,42	H	38,5	1,52	J	27,0	1,06								
5/8"	F A15 L18	Female 801308018	16	M26x1.5	G	155,0	6,10	F	82,0	3,23	C	41,0	1,61	I	44,8	1,76	E	42,0	1,65	K	18,2	0,72	L	12,00	0,47	0,58	1,27
	M A15 L18	Male 801308019						D	73,0	2,87	B	36,0	1,42	H	38,5	1,52	J	27,0	1,06								
5/8"	F A15 L22	Female 801308020	16	M30x2	G	155,4	6,12	F	81,4	3,20	C	41,0	1,61	I	44,8	1,76	E	42,0	1,65	K	22,2	0,87	L	14,00	0,55	0,55	1,21
	M A15 L22	Male 801308021						D	74,0	2,91	B	36,0	1,42	H	38,5	1,52	J	27,0	1,06								
3/4"	F A17 L18	Female 801308022	19	M26x1.5	G	190,3	7,49	F	101,3	3,99	C	46,0	1,81	I	49,8	1,96	E	48,0	1,89	K	18,2	0,72	L	12,00	0,47	0,93	2,05
	M A17 L18	Male 801308023						D	89,0	3,50	B	46,0	1,81	H	49,8	1,96	J	30,0	1,18								
3/4"	F A17 L22	Female 801308024	19	M30x2	G	189,3	7,45	F	100,3	3,95	C	46,0	1,81	I	49,8	1,96	E	48,0	1,89	K	22,2	0,87	L	14,00	0,55	0,91	2,00
	M A17 L22	Male 801308025						D	89,0	3,50	B	46,0	1,81	H	49,8	1,96	J	30,0	1,18								



Port description: MALE THREAD L SERIES -24° CONE BULKHEAD (ISO 8434-1 & DIN 2353)

BODY SIZE	Descriptive Code	Item Code	ISO DN	PORT (A)	Overall Length	Length		Hex		Diameter		Diameter		Diameter		Length		Weight									
						mm	inch	mm	inch	mm	inch	mm	inch	mm	inch	mm	inch	mm	inch	mm	inch	Kg	Lbs				
1/4"	F A7 L8 SCHOTT	Female 801310014	6,3	M14x1.5	G	134,0	5,28	F	67,1	2,64	C	27,0	1,06	I	29,0	1,14	E	28,0	1,10	K	8,2	0,32	L	25,0	0,98	0,17	0,36
	M A7 L8 SCHOTT	Male 801310015						D	66,9	2,63	B	22,0	0,87	H	23,8	0,94	J	16,1	0,63								
1/4"	F A7 L10 SCHOTT	Female 801310010	6,3	M16x1.5	G	136,0	5,35	F	68,1	2,68	C	27,0	1,06	I	29,0	1,14	E	28,0	1,10	K	10,2	0,40	L	26,0	1,02	0,17	0,37
	M A7 L10 SCHOTT	Male 801310011						D	67,9	2,67	B	22,0	0,87	H	23,8	0,94	J	16,1	0,63								
3/8"	M A9 L8 SCHOTT	Female 801310041	10	M14x1.5	G	-	-	F	-	-	C	-	-	I	-	-	E	-	-	K	8,2	0,32	L	25,0	0,98	-	-
	M A9 L8 SCHOTT	Male 801310041						D	79,5	3,13	B	30,0	1,18	H	32,0	1,26	J	19,7	0,78								
3/8"	F A9 L10 SCHOTT	Female 801310008	10	M16x1.5	G	165,1	6,50	F	84,6	3,33	C	30,0	1,18	I	32,0	1,26	E	32,0	1,26	K	10,2	0,40	L	26,0	1,02	0,28	0,61
	M A9 L10 SCHOTT	Male 801310009						D	80,5	3,17	B	30,0	1,18	H	32,0	1,26	J	19,7	0,78								
3/8"	F A9 L12 SCHOTT	Female 801310004	10	M18x1.5	G	163,1	6,42	F	82,6	3,25	C	30,0	1,18	I	32,0	1,26	E	32,0	1,26	K	12,2	0,48	L	26,0	1,02	0,27	0,59
	M A9 L12 SCHOTT	Male 801310005						D	80,5	3,17	B	30,0	1,18	H	32,0	1,26	J	19,7	0,78								
3/8"	F A9 L15 SCHOTT	Female 801310006	10	M22x1.5	G	165,1	6,50	F	83,6	3,29	C	30,0	1,18	I	32,0	1,26	E	32,0	1,26	K	15,2	0,60	L	27,0	1,06	0,28	0,62
	M A9 L15 SCHOTT	Male 801310007						D	81,5	3,21	B	30,0	1,18	H	32,0	1,26	J	19,7	0,78								
3/8"	F A9 L18 SCHOTT	Female 801310036	10	M26x1.5	G	165,1	6,50	F	83,6	3,29	C	30,0	1,18	I	32,0	1,26	E	32,0	1,26	K	18,2	0,72	L	27,0	1,06	0,31	0,67
	M A9 L18 SCHOTT	Male 801310037						D	81,5	3,21	B	30,0	1,18	H	32,0	1,26	J	19,7	0,78								
1/2"	F A13 L12 SCHOTT	Female 801310000	12,5	M18x1.5	G	180,1	7,09	F	94,1	3,70	C	36,0	1,42	I	40,0	1,57	E	38,0	1,50	K	12,2	0,48	L	26,0	1,02	0,44	0,96
	M A13 L12 SCHOTT	Male 801310001						D	86,1	3,39	B	36,0	1,42	H	40,0	1,57	J	24,5	0,96								
1/2"	F A13 L15 SCHOTT	Female 801310002	12,5	M22x1.5	G	182,1	7,17	F	95,1	3,74	C	36,0	1,42	I	40,0	1,57	E	38,0	1,50	K	15,2	0,60	L	27,0	1,06	0,45	1,00
	M A13 L15 SCHOTT	Male 801310003						D	87,1	3,43	B	36,0	1,42	H	40,0	1,57	J	24,5	0,96								
1/2"	F A13 L22 SCHOTT	Female 801310034	12,5	M30x2	G	196,1	7,72	F	102,1	4,02	C	36,0	1,42	I	40,0	1,57	E	38,0	1,50	K	22,2	0,87	L	34,0	1,34	0,49	1,07
	M A13 L22 SCHOTT	Male 801310035						D	94,0	3,70	B	36,0	1,42	H	40,0	1,57	J	24,5	0,96								
1/2"	F A13 L18 SCHOTT	Female 801310038	12,5	M26x1.5	G	-	-	F	95,1	3,74	C	36,0	1,42	I	40,0	1,57	E	38,0	1,50	K	18,2	0,72	L	27,0	1,06	0,48	1,05
	M A13 L18 SCHOTT	Male -						D	-	-	B	-	-	H	-	-	J	-	-								
5/8"	F A15 L18 SCHOTT	Female 801310018	16	M26x1.5	G	185,5	7,30	F	97,5	3,84	C	41,0	1,61	I	44,8	1,76	E	42,0	1,65	K	18,2	0,72	L	27,0	1,06	0,62	1,36
	M A15 L18 SCHOTT	Male 801310019						D	87,9	3,46	B	36,0	1,42	H	38,5	1,52	J	27,0	1,06								
5/8"	M A15 L22 SCHOTT	Female -	16	M30x2	G	-	-	F	-	-	C	-	-	I	-	-	E	-	-	K	22,2	0,87	L	34,0	1,34	-	-
	M A15 L22 SCHOTT	Male 801310021						D	94,0	3,70	B	36,0	1,42	H	38,5	1,52	J	27,0	1,06								
3/4"	F A17 L18 SCHOTT	Female 801310022	19	M26x1.5	G	220,3	8,67	F	116,3	4,58	C	46,0	1,81	I	49,8	1,96	E	48,0	1,89	K	18,2	0,72	L	27,0	1,06	0,98	2,16
	M A17 L18 SCHOTT	Male 801310023						D	103,4	4,09	B	46,0	1,81	H	49,8	1,96	J	30,0	1,18								
3/4"	F A17 L22 SCHOTT	Female 801310024	19	M30x2	G	229,3	9,03	F	120,3	4,74	C	46,0	1,81	I	49,8	1,96	E	48,0	1,89	K	22,2	0,87	L	34,0	1,34	0,97	2,13
	M A17 L22 SCHOTT	Male 801310025						D	103,9	4,29	B	46,0	1,81	H	49,8	1,96	J	30,0	1,18								
1"	M A21 L22 SCHOTT	Female -	25	M30x2	G	-	-	F	-	-	C	-	-	I	-	-	E	-	-	K	22,2	0,87	L	34,0	1,34	-	-
	M A21 L22 SCHOTT	Male 801310027						D	120,4	4,74	B	55,0	2,17	H	59,8	2,35	J	36,0	1,42								
1"	F A21 L28 SCHOTT	Female 801310028	25	M36x2	G	-	-	F	125,8	4,95	C	55,0	2,17	I	59,8	2,35	E	55,0	2,17	K	28,2	1,11	L	34,0	1,34	1,38	3,04
	M A21 L28 SCHOTT	Male -						D	-	-	B	-	-	H	-	-	J	-	-								



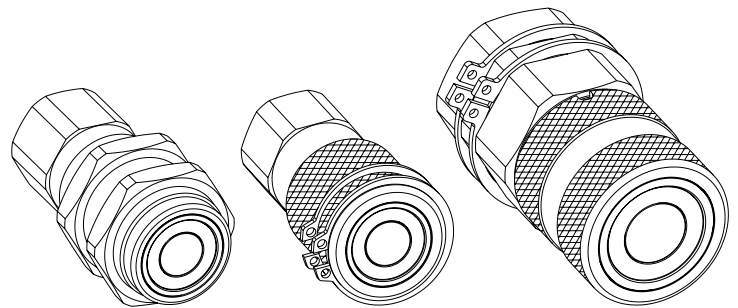
Port description: MALE THREAD JIC - (ISO 8434-2 & SAE J514)

BODY SIZE	Descriptive Code	Item Code	ISO DN	PORT (A)	Overall Length	Length		Hex		Diameter		Diameter		Lenght		Weight								
						mm	inch	mm	inch	mm	inch	mm	inch	mm	inch	mm	inch	Kg	Lbs					
3/8"	F A9 5/8 JIC	Female 801306000	10	7/8 -14UNF	G	148,2	5,83	F	75,9	2,99	C	30,0	1,18	I	32,0	1,26	E	32,0	1,26	L	19,3	0,76	0,28	0,61
	M A9 5/8 JIC	Male 801306001						D	72,3	2,85	B	27,0	1,06	H	29,0	1,14	J	19,7	0,78					
3/8"	F A9 3/8 JIC	Female 801306002	10	9/16 - 18UNF	G	143,1	5,63	F	74,1	2,92	C	30,0	1,18	I	32,0	1,26	E	32,0	1,26	L	14,1	0,56	0,27	0,60
	M A9 3/8 JIC	Male 801306003						D	69,0	2,72	B	27,0	1,06	H	29,0	1,14	J	19,7	0,78					
3/8"	F A9 1/2 JIC	Female 801306004	10	3/4 - 16UNF	G	144,0	5,67	F	74,3	2,93	C	30,0	1,18	I	32,0	1,26	E	32,0	1,26	L	16,7	0,66	0,26	0,57
	M A9 1/2 JIC	Male 801306005						D	69,7	2,74	B	27,0	1,06	H	29,0	1,14	J	19,7	0,78					
1/2"	F A13 7/8 JIC	Female 801306006	12,5	1-3/16-12UN	G	173,3	6,82	F	90,7	3,57	C	36,0	1,42	I	40,0	1,57	E	38,0	1,50	L	22,6	0,89	0,42	0,93
	M A13 7/8 JIC	Male 801306007						D	82,6	3,25	B	36,0	1,42	H	40,0	1,57	J	24,5	0,96					
1/2"	F A13 1' JIC	Female 801306008	12,5	1-5/16-12UN	G	174,3	6,86	F	91,2	3,59	C	36,0	1,42	I	40,0	1,57	E	38,0	1,50	L	23,1	0,91	0,41	0,91
	M A13 1' JIC	Male 801306009						D	83,1	3,27	B	36,0	1,42	H	40,0	1,57	J	24,5	0,96					
1/2"	F A13 3/4 JIC	Female 801306012	12,5	1-1/16-12UN	G	171,9	6,77	F	90,0	3,54	C	36,0	1,42	I	40,0	1,57	E	38,0	1,50	L	21,9	0,86	0,41	0,90
	M A13 3/4 JIC	Male 801306013						D	81,9	3,22	B	36,0	1,42	H	40,0	1,57	J	24,5	0,96					
1/2"	M A13 5/8 JIC	Female - Male 801306019	12,5	7/8 -14UNF	G	-	-	F	-	-	C	-	-	I	-	-	E	-	-	L	19,3	0,76	-	-
								D	79,3	3,12	B	36,0	1,42	H	35,0	1,38	J	24,5	0,96					
5/8"	F A15 1' JIC	Female 801306020	16	1-5/16-12UN	G	167,6	6,60	F	84,5	3,33	C	41,0	1,61	I	44,8	1,76	E	42,0	1,65	L	23,1	0,91	0,54	1,18
	M A15 1' JIC	Male 801306021						D	83,1	3,27	B	36,0	1,42	H	38,5	1,52	J	27,0	1,06					

Panel mounting

BC - BT - BR

- **BC: Snap Ring Solution**
Grooves on the male body and on the female sleeve.
- **BR: Snap Ring Solution**
Grooves on the male adaptor and on the female adaptor.
- **BT: Lock Ring Solution**
Thread on the male body and female body.



BT

BC

BR

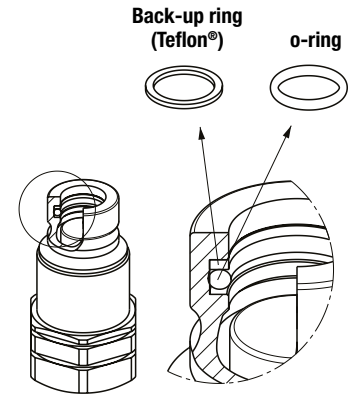
Please contact your local Stucchi sales engineer to get detailed dimensions.



SPARE KIT SEAL FOR MALE

Repair kit / OR+BK		
Body Size	Description	Part Number
1/4"	M A7	815700519
3/8"	M A9	815700337
1/2"	M A13	815700339
5/8"	M A15	815700341
3/4"	M A17	815700343
1"	M A21	815700345
1 1/4"	M A25	815700693
1 1/2"	M A30	815700521

O-Ring in Nitrile
BackUp in Teflon®

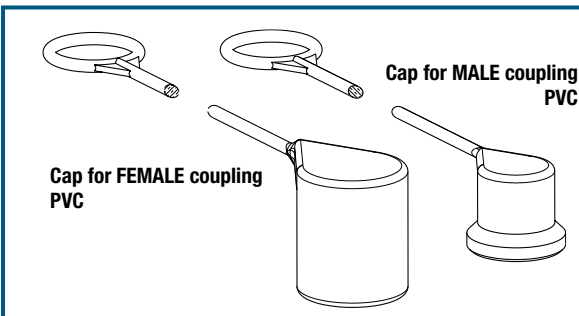


PROTECTIVE CAPS FOR A SERIES

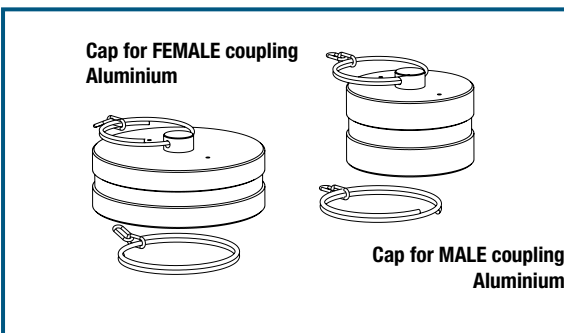
Protective caps are always recommended to protect the couplings from damage, dirt inclusion, and will increase the product life. This is particularly important in mobile applications where exposure to weather and aggregate materials are common.

For the A series are available three kind of materials:

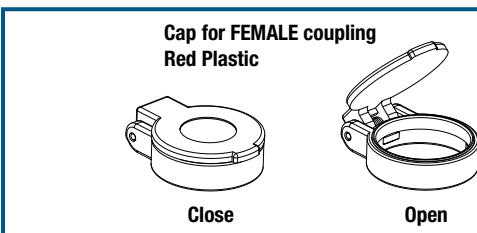
- plastic caps complete with lanyard (standard color: red, other colors available upon request)
- aluminum caps complete with lanyard (standard colors: natural aluminum, other colors available upon request)
- plastic caps, clip system (standard color: red, other colors available upon request)



Protective Cap				
Body Size/Description		Part Number		Material/Color
		Cap for Female	Cap for Male	
1/4"	A7	815100000	815100023	PVC/Red
3/8"	A9	815100002	815100027	PVC/Red
1/2"	A13	815100006	815100031	PVC/Red
5/8"	A15	815100008	815100011	PVC/Red
3/4"	A17	815100010	815100013	PVC/Red
1"	A21	815100012	815100015	PVC/Red



Protective Cap				
Body Size/Description		Part Number		Material/Color
		Cap for Female	Cap for Male	
1/4"	A7	816005002	816005003	Aluminum/Natural
3/8"	A9	816005004	816005005	Aluminum/Natural
1/2"	A13	816005006	816005007	Aluminum/Natural
3/4"	A17	816005010	816005011	Aluminum/Natural
1"	A21	816005012	816005013	Aluminum/Natural
1 1/4"	A25	815205020	815205021	Aluminum/Natural
1 1/2"	A30	815105014	815105017	Aluminum/Natural



Protective Cap				
Body Size/Description		Part Number		
		Cap for Female		
3/8"	F A9	815200002		Plastic/Red
1/2"	F A13	815200004		Plastic/Red
5/8"	F A15	815200006		Plastic/Red
3/4"	F A17	815200008		Plastic/Red

CENTRALA ELBLĄG

Ul. Rawska 19B
82-300 Elbląg

tel. /+48/ 55 625 51 00

fax /+48/ 55 625 51 01

Dział Handlowy

tel. /+48/ 55 625 51 51

elblag@hydropress.pl



www.hydropress.pl

ODDZIAŁ GDAŃSK

tel. /+48/ 55 625 51 21

fax /+48/ 55 625 51 22

ODDZIAŁ RUMIA

tel. /+48/ 58 679 34 15

fax /+48/ 55 625 51 25

ODDZIAŁ TYCHY

tel. /+48/ 32 787 52 88

fax /+48/ 55 625 51 38

ODDZIAŁ OLSZTYN

tel. /+48/ 89 532 01 05

fax /+48/ 89 715 21 42

ODDZIAŁ WARSZAWA

tel. /+48/ 22 468 86 97

fax /+48/ 55 625 51 32

BIURO WE WROCŁAWIU

tel. /+48/ 782 838 000

fax /+48/ 55 625 51 35

BIURO W KIELCACH

tel. /+48/ 885 995 501

fax /+48/ 55 625 51 01

BIURO W KRAKOWIE

tel. /+48/ 885 995 019

fax /+48/ 55 625 51 01

BIURO W OPOLU

tel. /+48/ 885 995 011

fax /+48/ 55 625 51 01

BIURO W BYDGOSZCZY

tel. /+48/ 790 222 771

fax /+48/ 55 625 51 01

BIURO W BIAŁYMSTOKU

tel. /+48/ 89 532 01 05

fax /+48/ 89 715 21 42

BIURO W ŁODZI

tel. /+48/ 609 221 421

fax /+48/ 89 715 21 42