



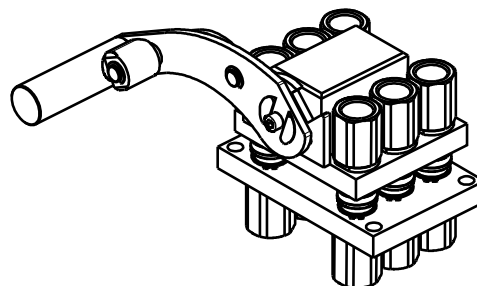
# SZYBKOZŁĄCZA HYDRAULICZNE MULTIZŁĄCZA SERIA GRE

# GRE6 6A

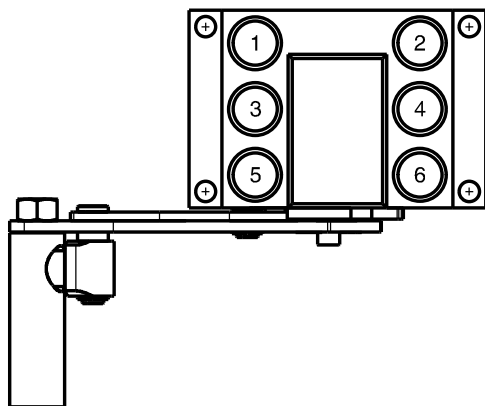
Previous description	CS9 (A)	CS12 (B)
Body size	3/8"	1/2"
GRE6-9	6	



## DRAWING



## CONFIGURATIONS

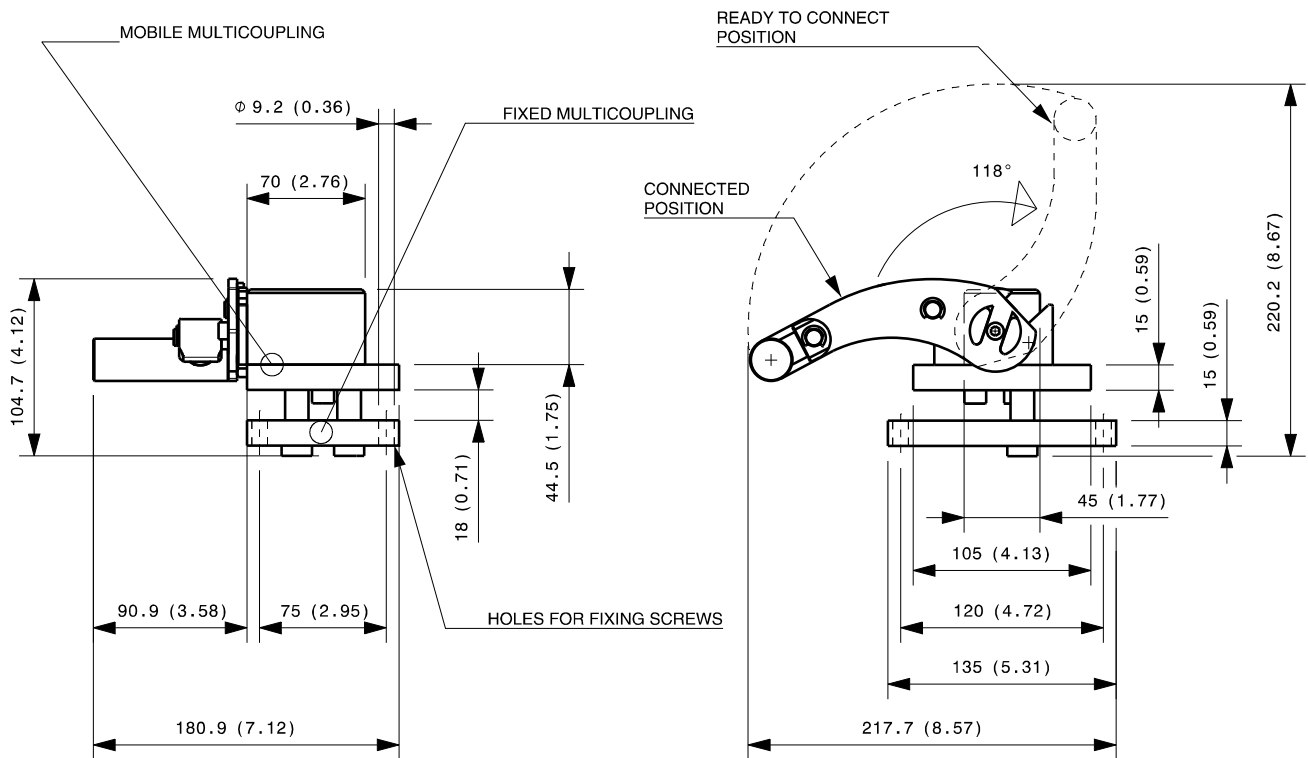


Possible configurations	
Pos	Coupling size
ALL	CS9

MultiCoupling spare parts (couplings not included)	
Code	Name
80600024	MULTI FIX EMPTY GRE6 6A
80600025	MULTI MOBILE EMPTY GRE6 6A
81560633	PARKING STATION MOBILE MULTICOUPLING GRE 100x45
815701059	KIT NR.1 COMPLETE LEVER GROUP GRE

## Fixed and mobile multicoupling

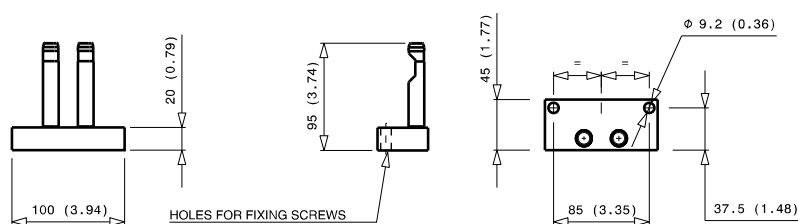
0,6 Kg and 1,5 Kg



Dimensions in millimeters (inch)

## Parking station for mobile multicoupling

0,6 Kg

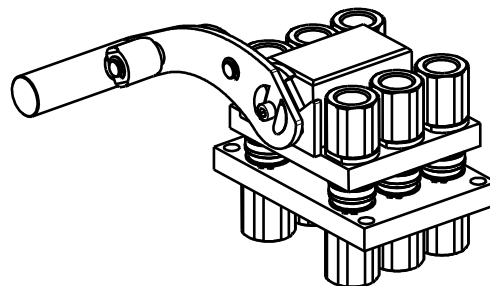


# GRE6 6B

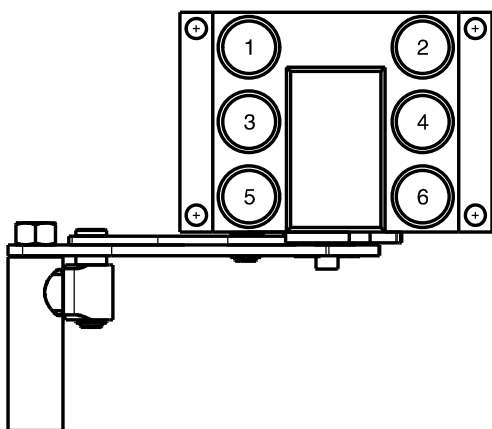
Previous description	CS9 (A)	CS12 (B)
Body size	3/8"	1/2"
GRE6-12		6



## DRAWING



## CONFIGURATIONS



Possible configurations	
Pos	Coupling size
ALL	CS12

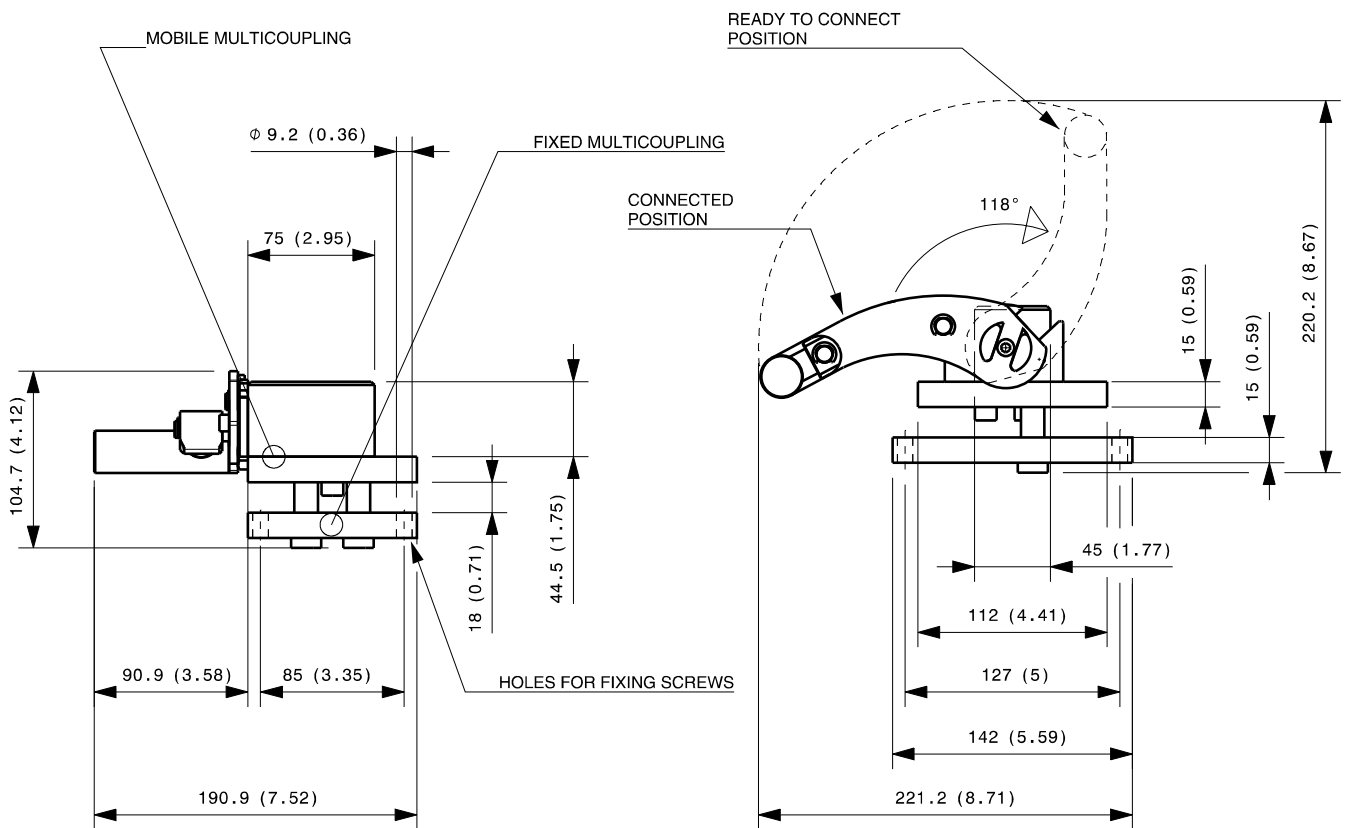
MultiCoupling (couplings included)		
Code	Name	Description
870020005	MULTI COMPLETE GRE6 12B	6 CS12 1/4 BSP
870020105	MULTI FIX GRE6 6B	6 CS12 1/4 BSP
870020111	MULTI FIX GRE6 4B	4 CS12 1/2 BSP
870020118	MULTI FIX GRE6 6B	6 CS12 1/2 BSP
870020205	MULTI MOBILE GRE6 6B	6 CS12 1/4 BSP
870020211	MULTI MOBILE GRE6 4B	4 CS12 1/2 BSP

MultiCoupling spare parts (couplings not included)		
Code	Name	Description
806000090	MULTI FIX EMPTY GRE6 6B	
806000091	MULTI MOBILE EMPTY GRE6 6B	
815606033	PARKING STATION MOBILE MULTICOUPLING GRE 100x45	
815701059	KIT NR.1 COMPLETE LEVER GROUP GRE	

Custom configurations available upon request

## Fixed and mobile multicoupling

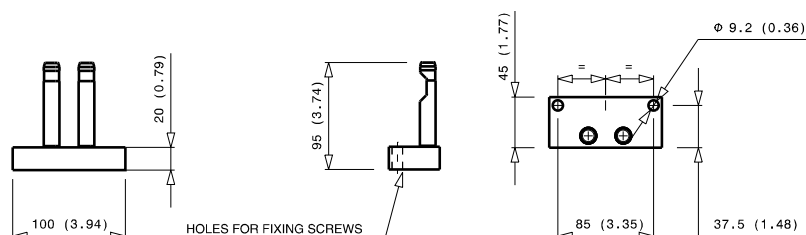
0,7 Kg and 1,6 Kg



Dimensions in millimeters (inch)

## Parking station for mobile multicoupling

0,6 Kg

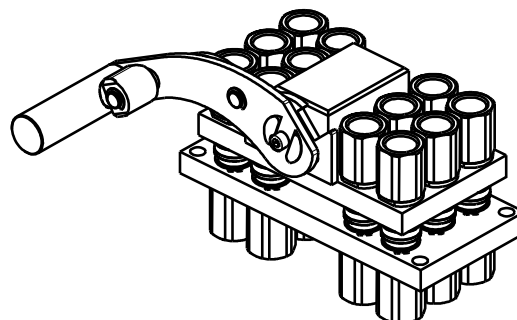
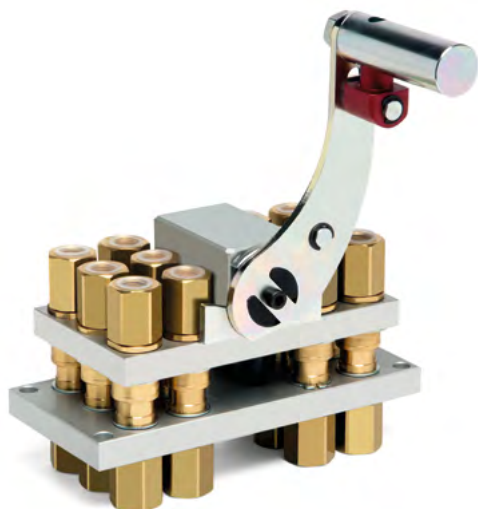


# GRE12 12A

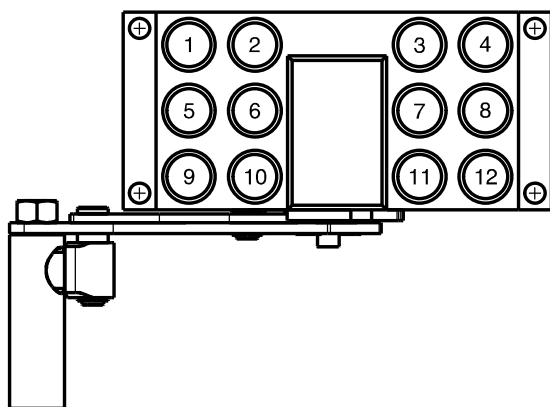
Previous description	CS9 (A)	CS12 (B)
Body size	3/8"	1/2"
GRE12-9	12	



## DRAWING



## CONFIGURATIONS



Possible configurations	
Pos	Coupling size
ALL	CS9

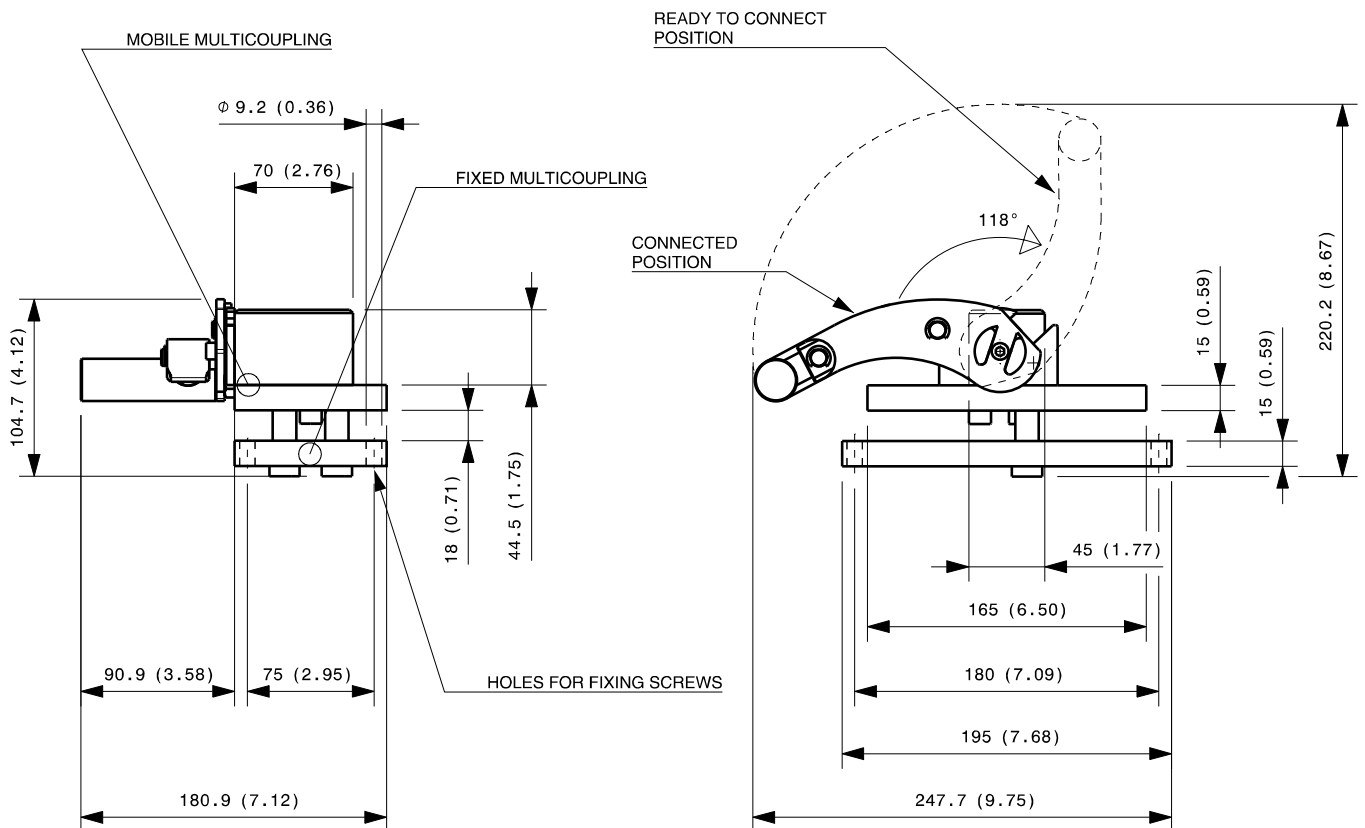
MultiCoupling (couplings included)		
Code	Name	Description
870020010	MULTI COMPLETE GRE12 12A	12 CS9 3/8 NPT
870020112	MULTI FIX GRE12 8A	8 CS9 1/2 BSP
870020208	MULTI MOBILE GRE12 12A	12 CS9 3/8 NPT
870020212	MULTI MOBILE GRE12 8A	8 CS9 1/2 BSP

MultiCoupling spare parts (couplings not included)		
Code	Name	
806000020	MULTI FIX EMPTY GRE12 12A	
806000021	MULTI MOBILE EMPTY GRE12 12A	
815606033	PARKING STATION MOBILE MULTICOUPLING GRE 100x45	
815701059	KIT NR.1 COMPLETE LEVER GROUP GRE	

Custom configurations available upon request

## Fixed and mobile multicoupling

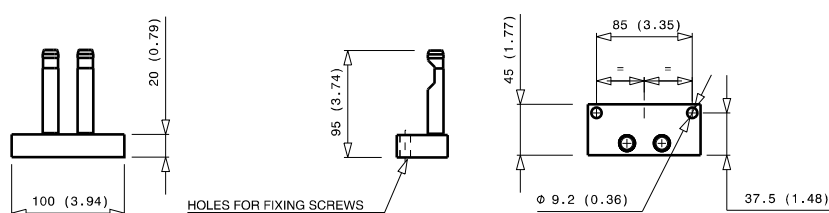
0,7 Kg and 1,6 Kg



Dimensions in millimeters (inch)

## Parking station for mobile multicoupling

0,6 Kg

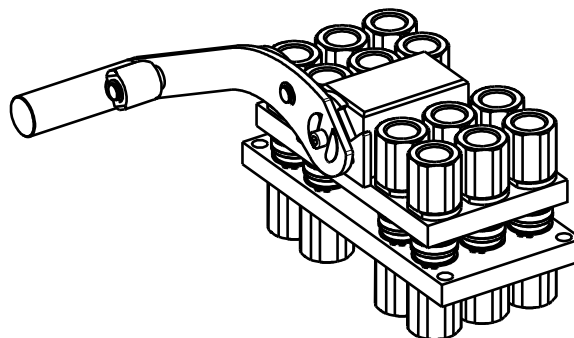
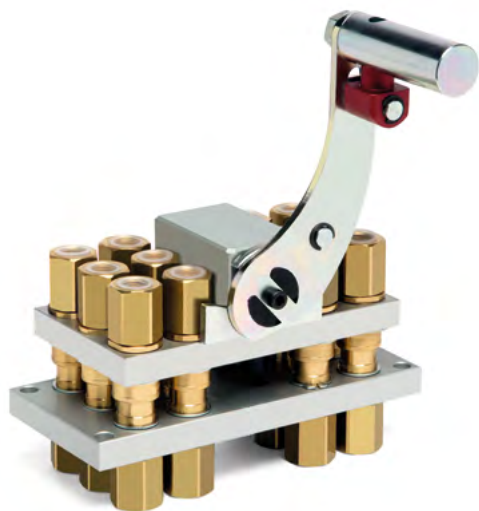


# GRE12 12B

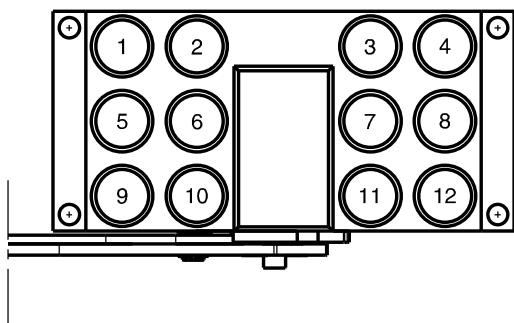
Previous description	CS9 (A)	CS12 (B)
Body size	3/8"	1/2"
GRE12-12		12



## DRAWING



## CONFIGURATIONS



Possible configurations	
Pos	Coupling size
ALL	CS12

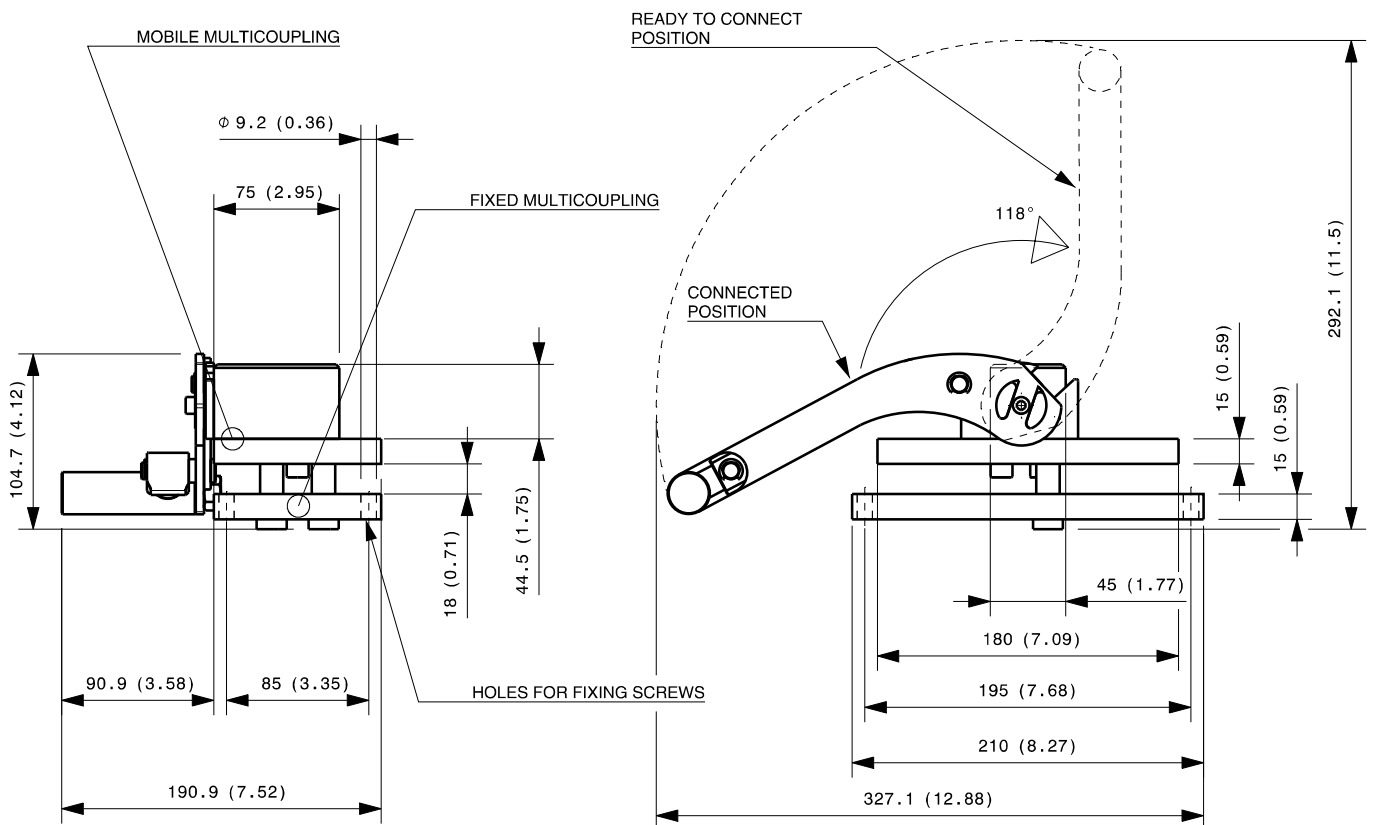
### MultiCoupling spare parts (couplings not included)

Code	Name
80600026	MULTI FIX EMPTY GRE12 12B
80600027	MULTI MOBILE EMPTY GRE12 12B
815606033	PARKING STATION MOBILE MULTICOUPLING GRE 100x45
815701078	KIT NR.1 COMPLETE LEVER GROUP GRE



## Fixed and mobile multicoupling

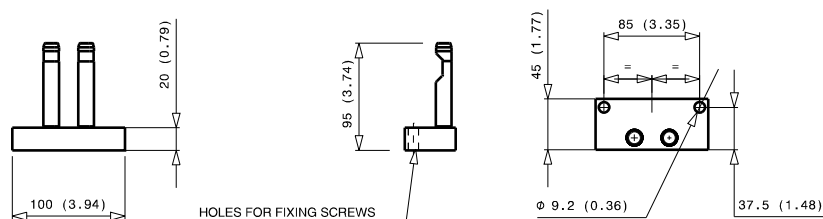
0,8 Kg and 1,8 Kg



Dimensions in millimeters (inch)

## Parking station for mobile multicoupling

0,6 Kg



# GRE18 18A

Previous description

Body size

CS9 (A)

3/8"

CS12 (B)

1/2"

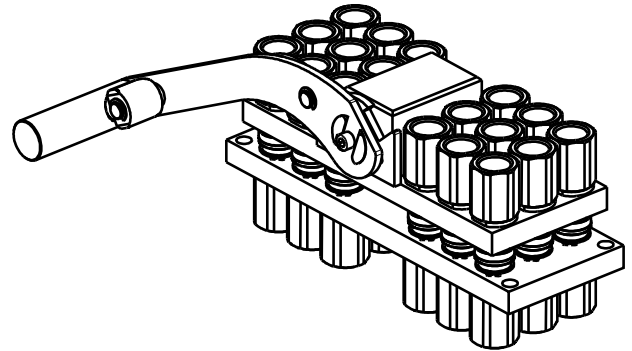


Stucchi®

GRE18-9

18

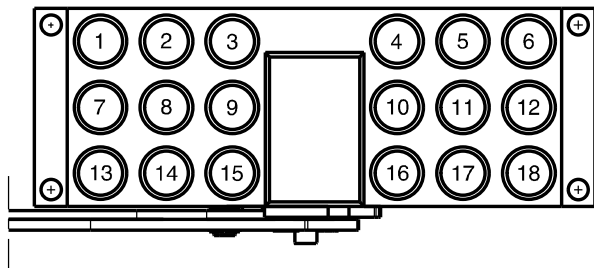
## DRAWING



## CONFIGURATIONS

### Possible configurations

Pos	Coupling size
ALL	CS9



### MultiCoupling (couplings included)

Code	Name	Description
870020009	MULTI COMPLETE GRE18 18A	18 CS9 3/8 NPT

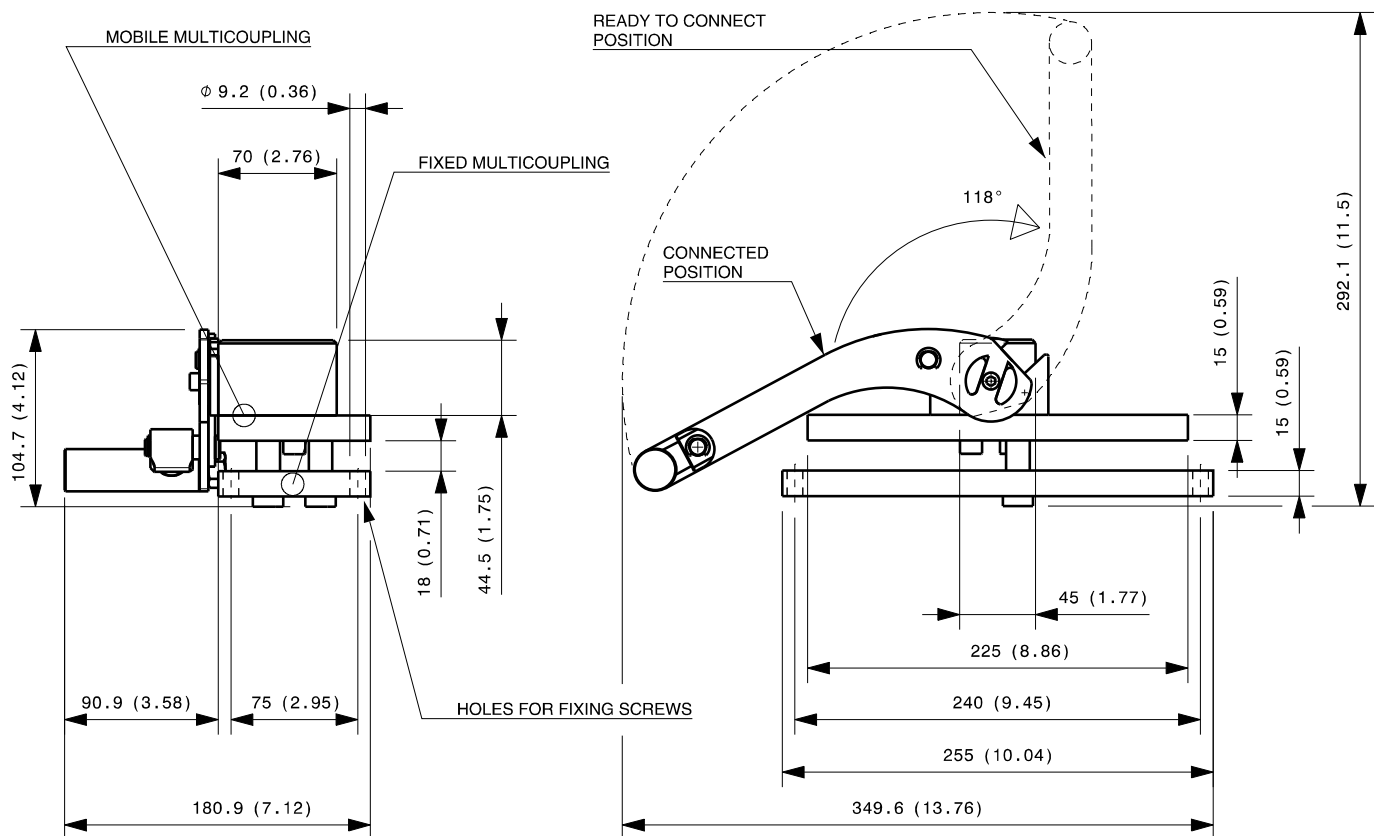
### MultiCoupling spare parts (couplings not included)

Code	Name
806000022	MULTI FIX EMPTY GRE18 18A
806000023	MULTI MOBILE EMPTY GRE18 18A
815606033	PARKING STATION MOBILE MULTICOUPLING GRE 100x45
815701078	KIT NR.1 COMPLETE LEVER GROUP GRE

Custom configurations available upon request

## Fixed and mobile multicoupling

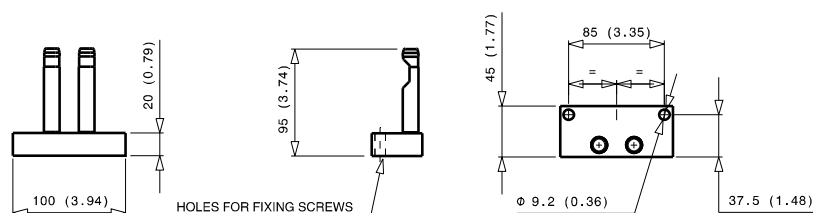
0,9 Kg and 1,8 Kg



Dimensions in millimeters (inch)

## Parking station for mobile multicoupling

0,6 Kg



# GRE18 18B

Previous description

Body size

CS9 (A)  
3/8"

CS12 (B)  
1/2"

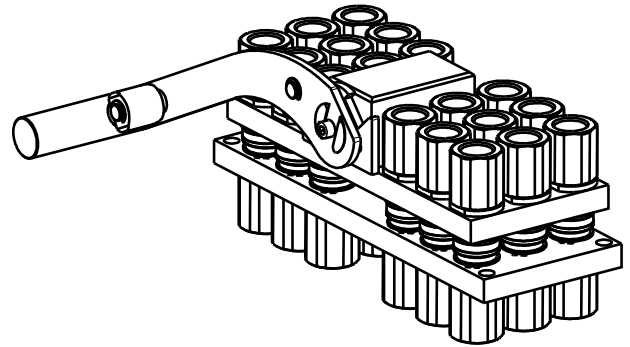
GRE18-12

18



Stucchi®

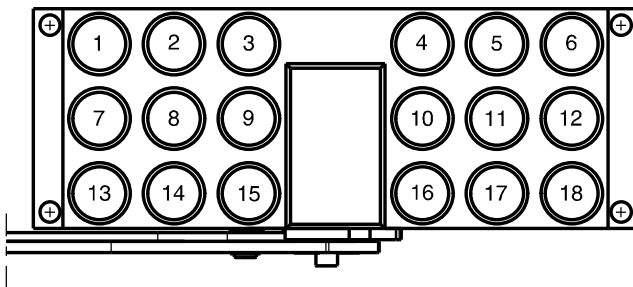
## DRAWING



## CONFIGURATIONS

### Possible configurations

Pos	Coupling size
ALL	CS12



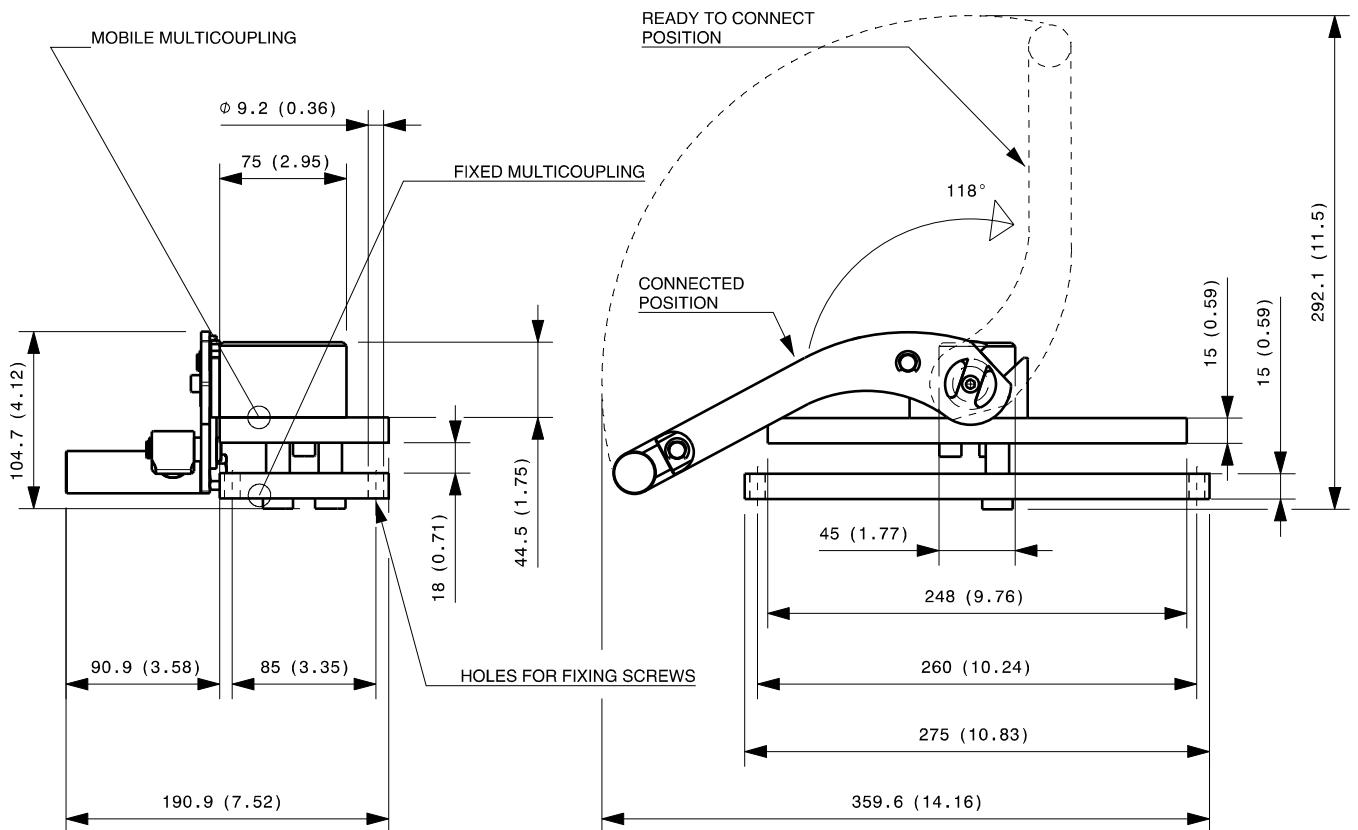
### MultiCoupling spare parts (couplings not included)

Code	Name
80600028	MULTI FIX EMPTY GRE18 18B
80600029	MULTI MOBILE EMPTY GRE18 18B
815606033	PARKING STATION MOBILE MULTICOUPLING GRE 100x45
815701078	KIT NR.1 COMPLETE LEVER GROUP GRE

Custom configurations available upon request

## Fixed and mobile multicoupling

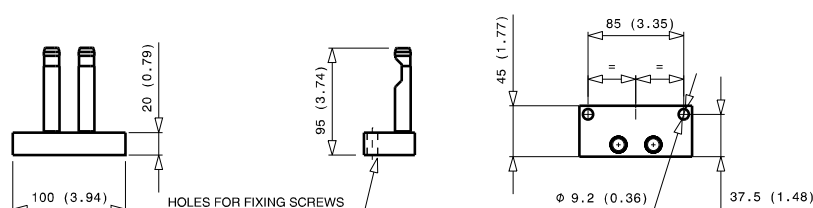
1 Kg and 2 Kg



Dimensions in millimeters (inch)

## Parking station for mobile multicoupling

0,6 Kg



## CENTRALA ELBLĄG

Ul. Rawska 19B  
82-300 Elbląg

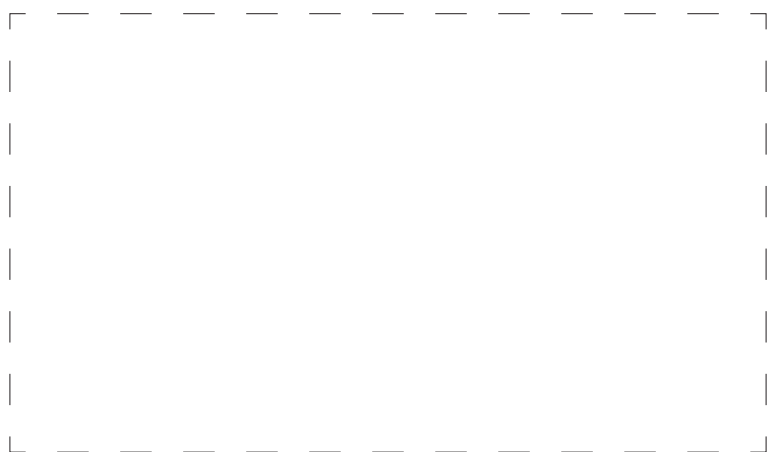
tel. /+48/ 55 625 51 00

fax /+48/ 55 625 51 01

### Dział Handlowy

tel. /+48/ 55 625 51 51

elblag@hydropress.pl



[www.hydropress.pl](http://www.hydropress.pl)

### ODDZIAŁ GDAŃSK

tel. /+48/ 55 625 51 21

fax /+48/ 55 625 51 22

### ODDZIAŁ RUMIA

tel. /+48/ 58 679 34 15

fax /+48/ 55 625 51 25

### ODDZIAŁ TYCHY

tel. /+48/ 32 787 52 88

fax /+48/ 55 625 51 38

### ODDZIAŁ OLSZTYN

tel. /+48/ 89 532 01 05

fax /+48/ 89 715 21 42

### ODDZIAŁ WARSZAWA

tel. /+48/ 22 468 86 97

fax /+48/ 55 625 51 32

### BIURO WE WROCŁAWIU

tel. /+48/ 782 838 000

fax /+48/ 55 625 51 35

### BIURO W KIELCACH

tel. /+48/ 885 995 501

fax /+48/ 55 625 51 01

### BIURO W KRAKOWIE

tel. /+48/ 885 995 019

fax /+48/ 55 625 51 01

### BIURO W OPOLU

tel. /+48/ 885 995 011

fax /+48/ 55 625 51 01

### BIURO W BYDGOSZCZY

tel. /+48/ 790 222 771

fax /+48/ 55 625 51 01

### BIURO W BIAŁYMSTOKU

tel. /+48/ 89 532 01 05

fax /+48/ 89 715 21 42

### BIURO W ŁODZI

tel. /+48/ 609 221 421

fax /+48/ 89 715 21 42