



SILNIKI HYDRAULICZNE ORBITROLE - HYDROSTATYCZNE ZAWORY SKRĘTU

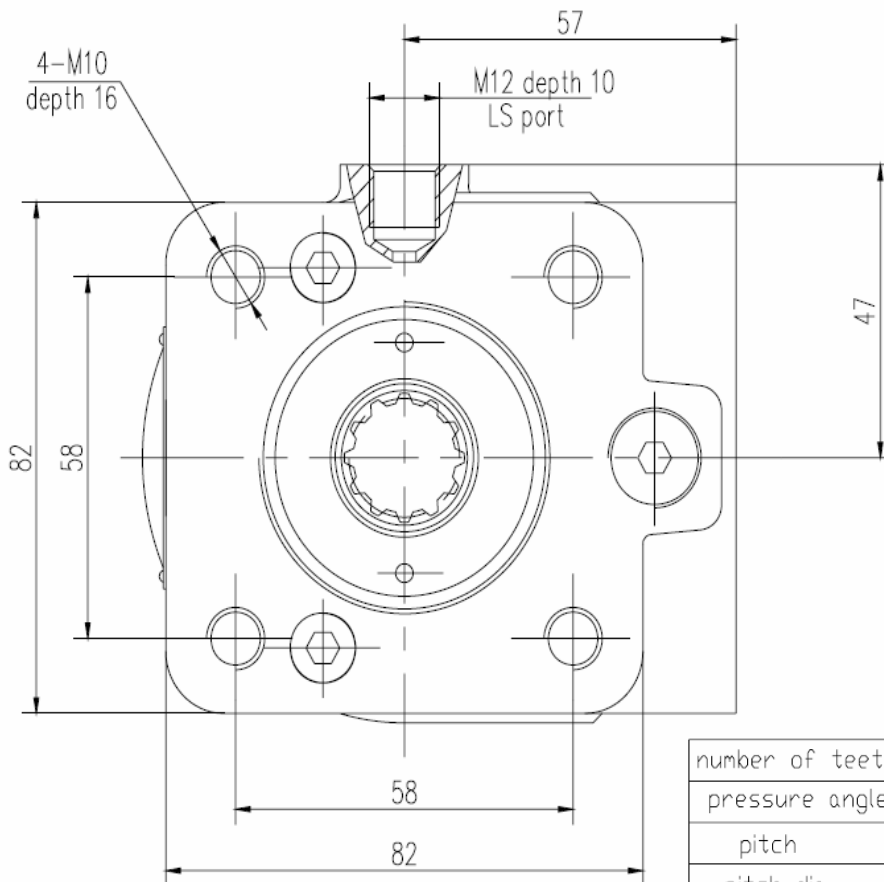
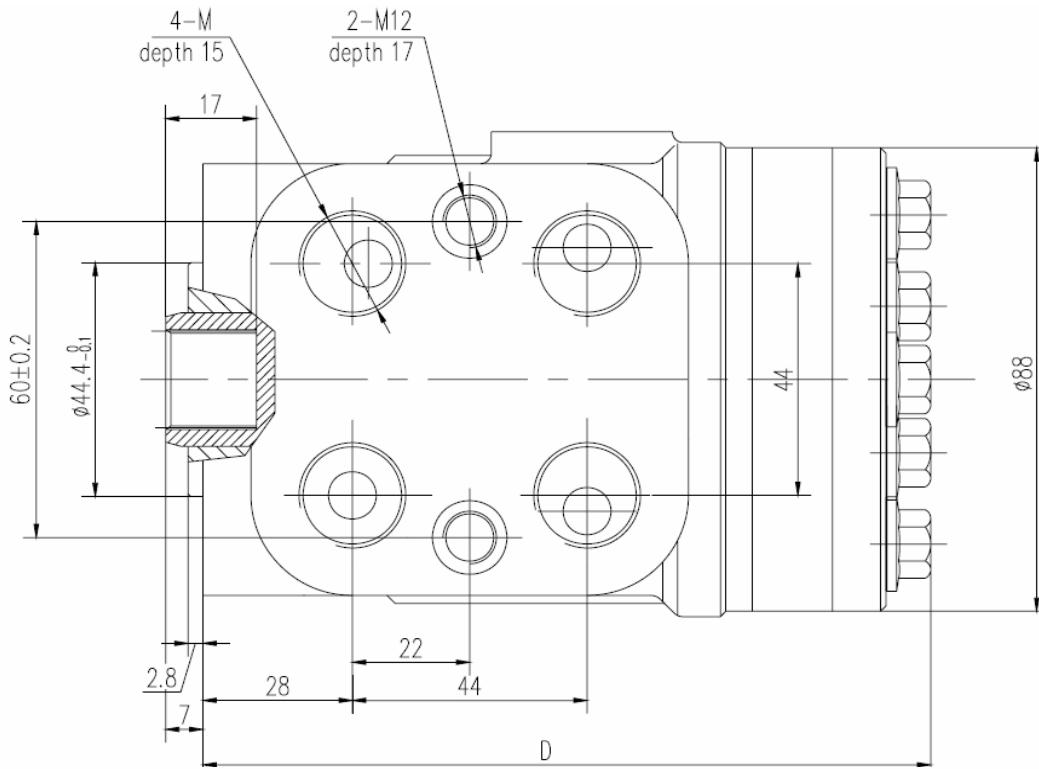


Power Steering Unit 060 Integral BZZ series

060 series PSU incorporated the inlet check valve, safety valve, internal check valve, cylinder port shock valve and anti-cavitation valve. The design is more compact and convenient.

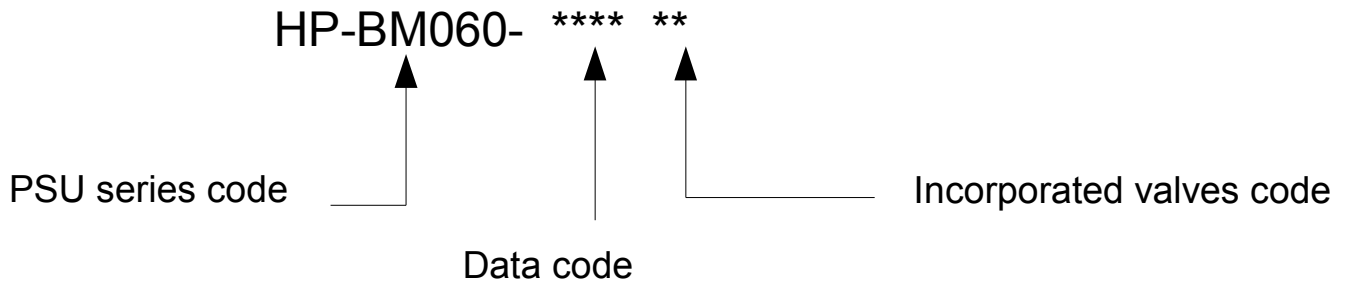
Specification Data

- Max. system pressure: 16 MPa
 - Max. back pressure: 2.1 MPa
 - Input torque: 1.7-2.5 Nm
 - Max. system operating temperature: 93 C deg.
 - Recommended oil filtration: ISO 18/13
-
- Displacement: 50~500ml/r
 - Special casting design for low pressure drop.
 - Low hydraulic noise.
 - 3 basic systems-open center, closed center and load sensing.
 - Incorporated five Valves into the PSU, so it is more compact and convenient.
-
- Inlet safety valve: limits maximum pressure drop across the PSU to protect the steering circuit.
 - Cylinder port shock valve: protects hoses against pressure surge created by ground forces on the cylinder axle.
 - Anti-cavitation valve: protects steering circuit against vacuum (cavitation) conditions.
 - Internal check valve: converts the PSU to a hand operated pump for limited manual steering.
 - Inlet check valve: prevents oil from returning through the PSU when pressure on the cylinder side is greater than the inlet side. It prevents steering wheel kick.



number of teeth	12
pressure angle	30°
pitch	16/32
pitch dia.	Ø19.05
root circle dia.	Ø20.663±0.038

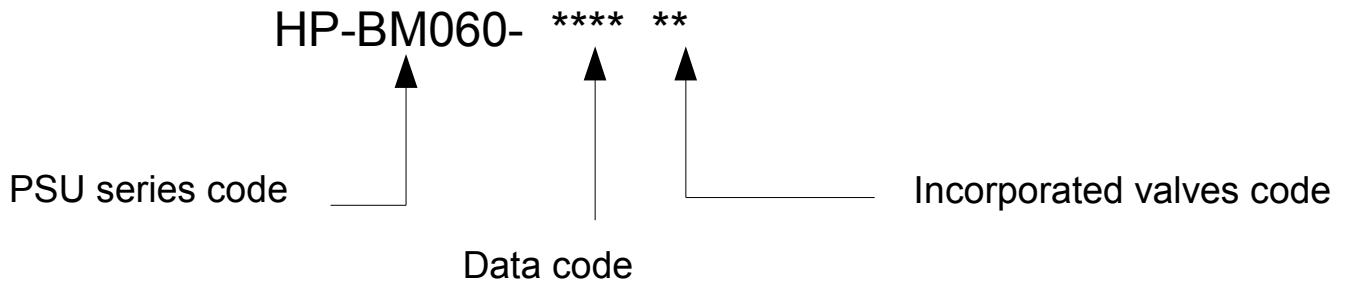
Disp (ml/r)	50	63	80	100	125	160	200	250	315	400	500
length (D)	128.5	130.5	130.5	133	136	141	146	152	162	172	184



Example: HP-BM060-141202

Open center PSU; 100cm³/rev; antischock v/v185 bar, relief v/v:125bar; 12 teeth; G1/2"BSP

production's character			Displacement /code									
Model type	Join type	Oil port	50	80	100	125	160	200	250	315	400	500
open center	Inner spline	M20X 1.5	060-1400	-1401	-1402	-1403	-1404	-1405	-1406	-1407	-1408	-1409
close center			060-3400	-3401	-3402	-3403	-3404	-3405	-3406			
static signal Load Sensing Style			060-5400	-5401	-5402	-5403	-5404	-5405	-5406	-5407	-5408	-5409
Dynamic signal Load Sensing Style			060-7400	-7401	-7402	-7403	-7404	-7405	-7406	-7407	-7408	-7409
open center		G1/2"	060-1410	-1411	-1412	-1413	-1414	-1415	-14316	-1417	-1418	-1419
close center			060-3410	-3411	-3412	-3413	-3414	-3415	-3416			
static signal Load Sensing Style			060-5410	-5411	-5412	-5413	-5414	-5415	-5416	-5417	-5418	-5419
Dynamic signal Load Sensing Style			060-7410	-7411	-7412	7413	-7414	-7415	-7416	-7417	-7418	-7419
open center		061-1410	-1411	-1412	-1413	-1414	-1415	-1416	-1417	-1418	-1419	



Example: HP-BM060-141202

Open center PSU; 100cm³/rev; antischock v/v185 bar, relief v/v:125bar; 12 teeth; G1/2"BSP

the combined valve's code	01	02	03	04	05	06	07	08	09	10
safe valve of entrance port MPa	10	12.5	15	-	No	No	No	No	10	12.5
the double direction over loading valve MPa	16	18.5	21	-	16	18.5	21	23.5	No	No
the double direction fill oil valve	√	√	√	-	√	√	√	√	No	No
single way valve of entrance port	√	√	√	-	√	√	√	√	√	√
the combined valve's code	11	12	13	14	15	16	17	18	19	20
safe valve of entrance port MPa	15	-	11	8	9	11.5	14	14	6.3	9
the double direction over loading valve MPa	No	-	14	14	15	No	No	20	10	No
the double direction fill oil valve	No	-	√	√	√	No	No	√	√	No
single way valve of entrance port	√	-	√	√	√	√	√	√	√	√
the combined valve's code	21	22	23	24	25	26	27	28	29	30
safe valve of entrance port MPa	-	No	8	-	9	11				
safe valve of entrance port MPa	-	No	No	-	No	No				
the double direction fill oil valve	-	No	No	-	No	No				
single way valve of entrance port	-	√	√	-	√	√				

CENTRALA ELBLĄG

Ul. Rawska 19B
82-300 Elbląg

tel. /+48/ 55 625 51 00

fax /+48/ 55 625 51 01

Dział Handlowy

tel. /+48/ 55 625 51 51

elblag@hydropress.pl



www.hydropress.pl

ODDZIAŁ GDAŃSK

tel. /+48/ 55 625 51 21

fax /+48/ 55 625 51 22

ODDZIAŁ RUMIA

tel. /+48/ 58 679 34 15

fax /+48/ 55 625 51 25

ODDZIAŁ TYCHY

tel. /+48/ 32 787 52 88

fax /+48/ 55 625 51 38

ODDZIAŁ OLSZTYN

tel. /+48/ 89 532 01 05

fax /+48/ 89 715 21 42

ODDZIAŁ WARSZAWA

tel. /+48/ 22 468 86 97

fax /+48/ 55 625 51 32

BIURO WE WROCŁAWIU

tel. /+48/ 782 838 000

fax /+48/ 55 625 51 35

BIURO W KIELCACH

tel. /+48/ 885 995 501

fax /+48/ 55 625 51 01

BIURO W KRAKOWIE

tel. /+48/ 885 995 019

fax /+48/ 55 625 51 01

BIURO W OPOLU

tel. /+48/ 885 995 011

fax /+48/ 55 625 51 01

BIURO W BYDGOSZCZY

tel. /+48/ 790 222 771

fax /+48/ 55 625 51 01

BIURO W BIAŁYMSTOKU

tel. /+48/ 89 532 01 05

fax /+48/ 89 715 21 42

BIURO W ŁODZI

tel. /+48/ 609 221 421

fax /+48/ 89 715 21 42