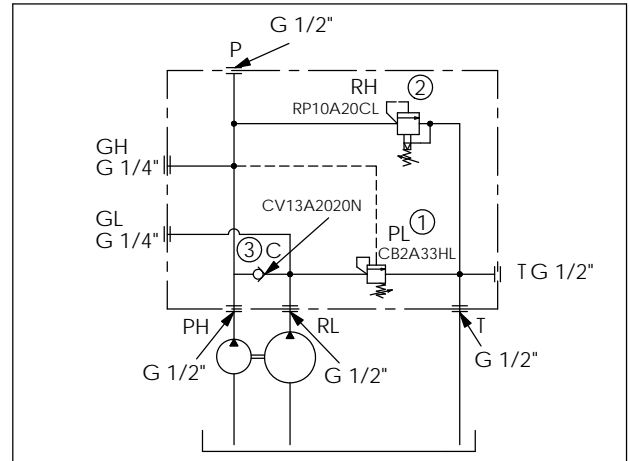
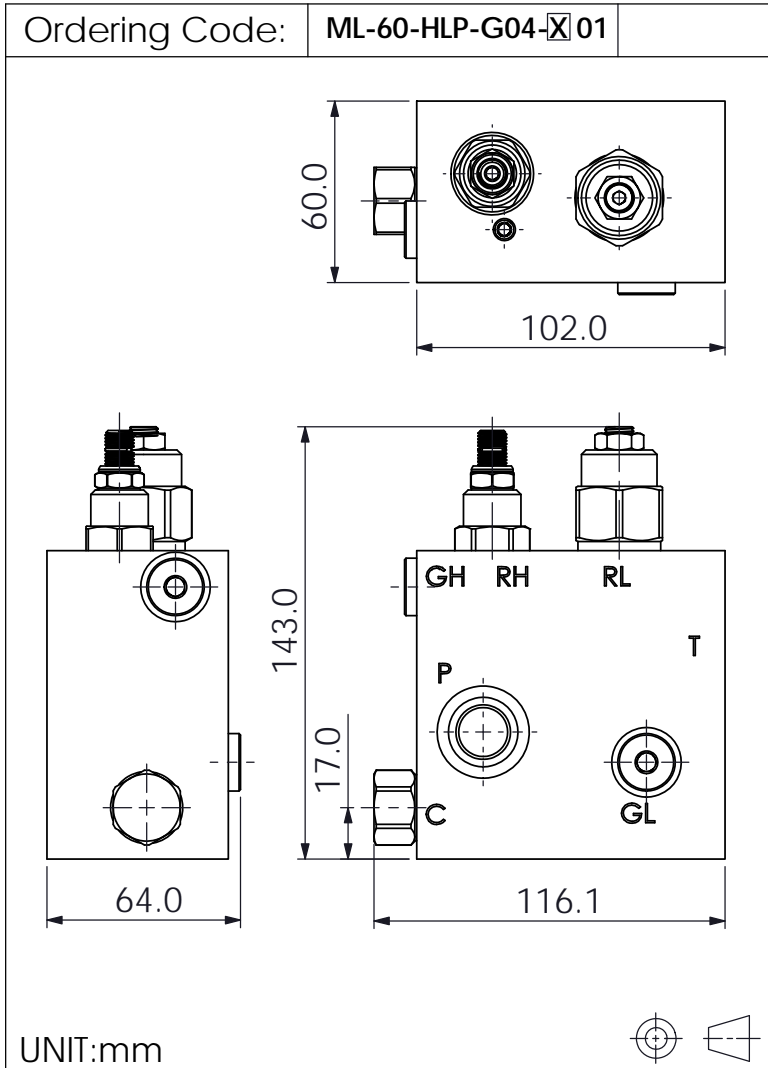


ZAWORY LINIOWE ODCIĄZAJĄCE HI-LOW



TECHNICAL DATA

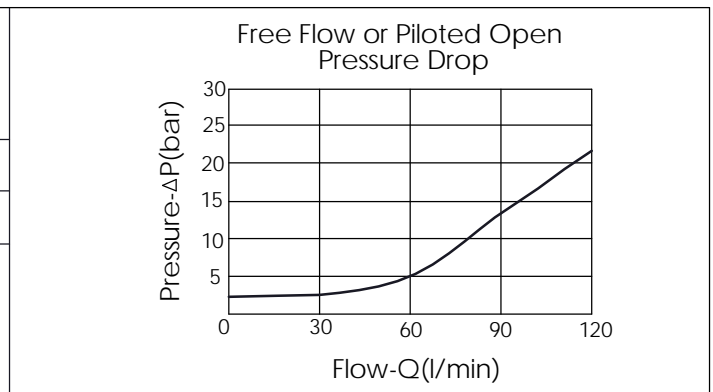
Aluminum Body Pressure Rating: 210 bar
 Ductile Iron Body Pressure Rating: 350 bar

Cavity:
 Refer to CB2A33HL
 CV13A2020N
 RP10A20CL
 * Refer to Winner Cartridge Valve Catalog.

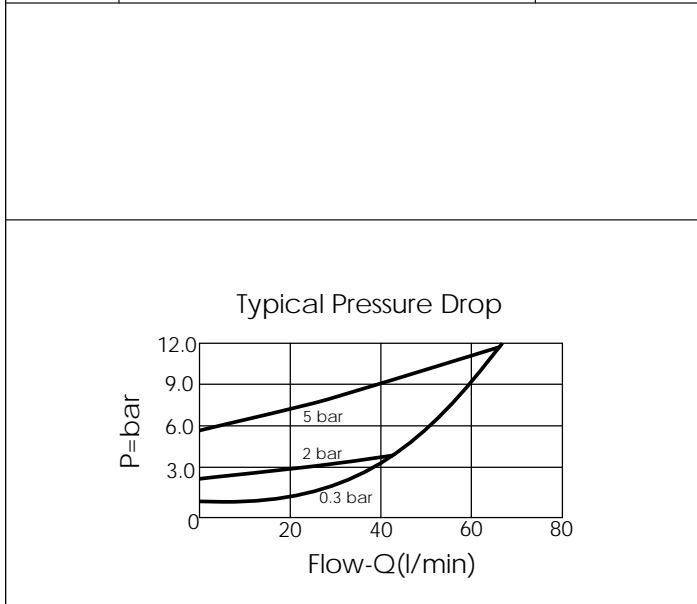
Aluminum	1.36 kg(WITHOUT VALVES) 1.9 kg(INCLUDE VALVES)
Ductile Iron	5.5 kg(WITHOUT VALVES) 6.04 kg(INCLUDE VALVES)

* If you need the special specification. Please contact us.

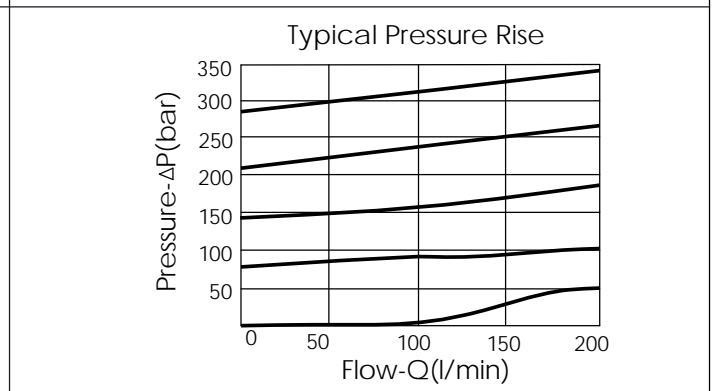
X	BODY MATERIAL
A	HIGH-STRENGTH ALUMINUM
S	DUCTILE IRON



COUNTERBALANCE VALVE:CB2A33HL



CHECK VALVE:CV13A2020N



RELIEF VALVE:RP10A20CL

CENTRALA ELBLĄG

ul. Rawska 19B
82-300 Elbląg

tel. /+48/ 55 625 51 00

fax /+48/ 55 625 51 01

Dział Handlowy

tel. /+48/ 55 625 51 51

elblag@hydropress.pl



www.hydropress.pl

ODDZIAŁ GDAŃSK

tel. /+48/ 55 625 51 21

fax /+48/ 55 625 51 22

ODDZIAŁ RUMIA

tel. /+48/ 58 679 34 15

fax /+48/ 55 625 51 25

ODDZIAŁ TYCHY

tel. /+48/ 32 787 52 88

fax /+48/ 55 625 51 38

ODDZIAŁ OLSZTYN

tel. /+48/ 89 532 01 05

fax /+48/ 89 715 21 42

ODDZIAŁ WARSZAWA

tel. /+48/ 22 468 86 97

fax /+48/ 55 625 51 32

BIURO WE WROCŁAWIU

tel. /+48/ 782 838 000

fax /+48/ 55 625 51 35

BIURO W KIELCACH

tel. /+48/ 885 995 501

fax /+48/ 55 625 51 01

BIURO W KRAKOWIE

tel. /+48/ 885 995 019

fax /+48/ 55 625 51 01

BIURO W OPOLU

tel. /+48/ 885 995 011

fax /+48/ 55 625 51 01

BIURO W BYDGOSZCZY

tel. /+48/ 790 222 771

fax /+48/ 55 625 51 01

BIURO W BIAŁYMSTOKU

tel. /+48/ 89 532 01 05

fax /+48/ 89 715 21 42

BIURO W ŁODZI

tel. /+48/ 609 221 421

fax /+48/ 89 715 21 42