

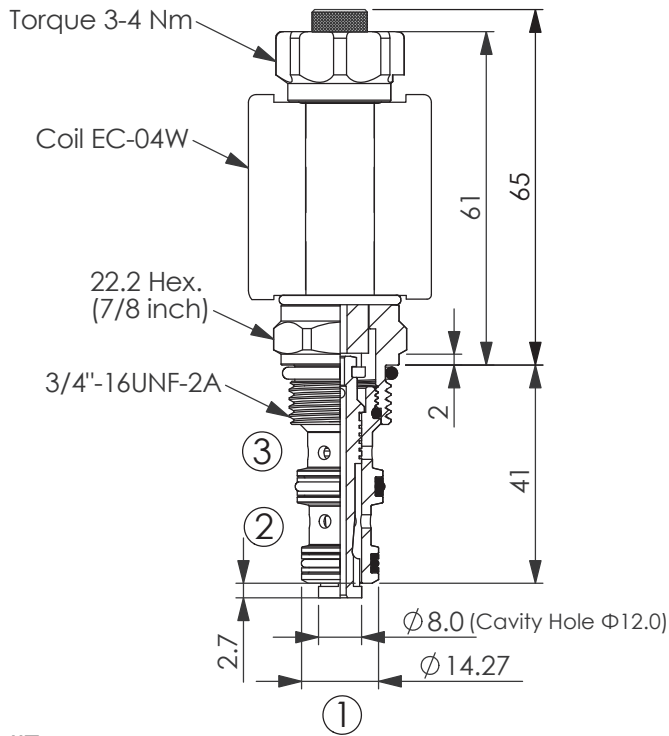


ZAWORY

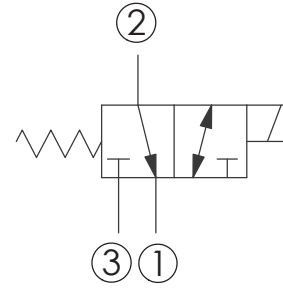
STEROWANE CEWKĄ

3-DROGOWE, DWUPOŁOŻENIOWE

Ordering Code: **ES-08W-X-Y-Z-04**



UNIT:mm



TECHNICAL DATA

Max.Operating pressure: 350 bar

Rated flow: 15 l/min

Cavity-Tooling: 08W-3

Installation torque: 39-51 Nm

Weight: 0.13 kg

Fluids-Temperatures: -40~120 °C

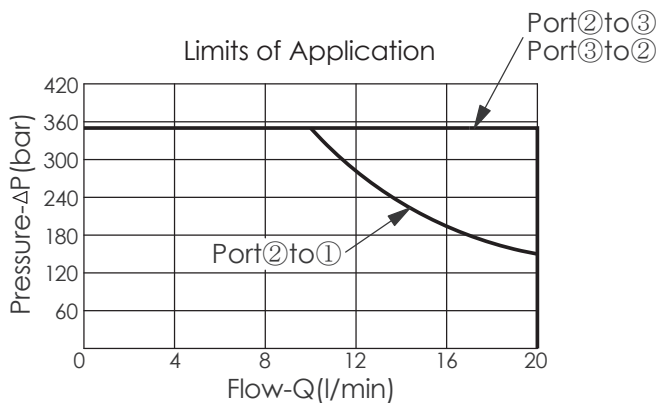
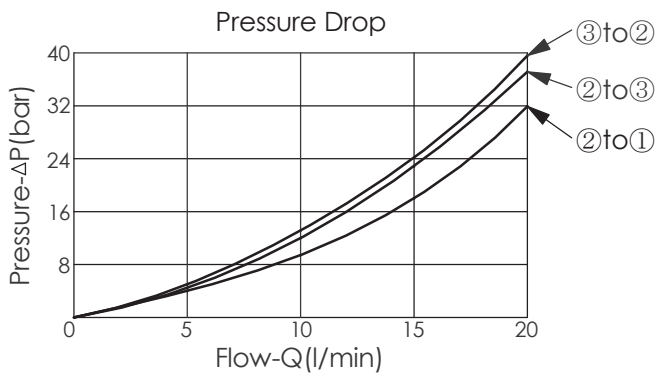
Internal Leakage: 80cc/minute
max.at 210 bar

Filtration: 25 µm nominal or better

Minimum Voltage Required:
90 % of nominal

Coils must be ordered separately

Mounting Position: unrestricted

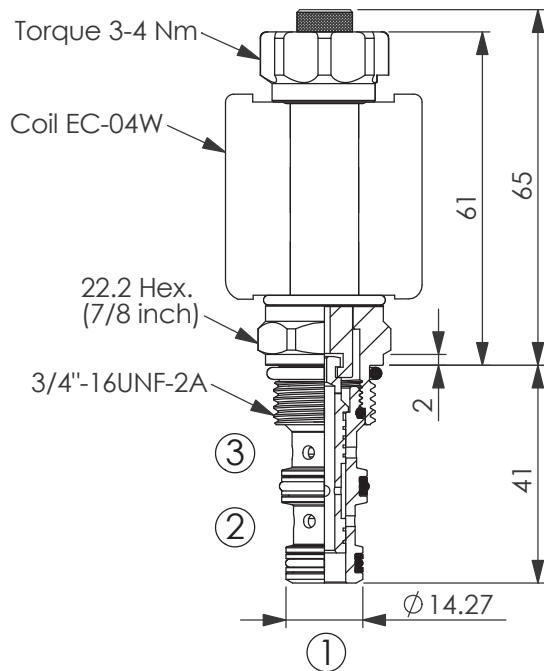


X	STRUCTURE	
3A	3 Ports · 20 Watt. Coil Ø 12.7 mm tube	

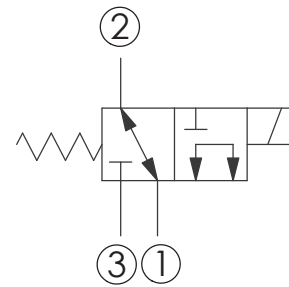
Z	OPTIONS	
N	Non-adjustable	
M	Screw-out Knob Style	

Y	OPERATION	
10	Spool 3-Way, 2-Position	

Ordering Code: **ES-08W-X-Y-Z-04**



UNIT:mm



TECHNICAL DATA

Max.Operating pressure: 350 bar

Rated flow: 15 l/min

Cavity-Tooling: 08W-3

Installation torque: 39-51 Nm

Weight: 0.13 kg

Fluids-Temperatures: -40~120 °C

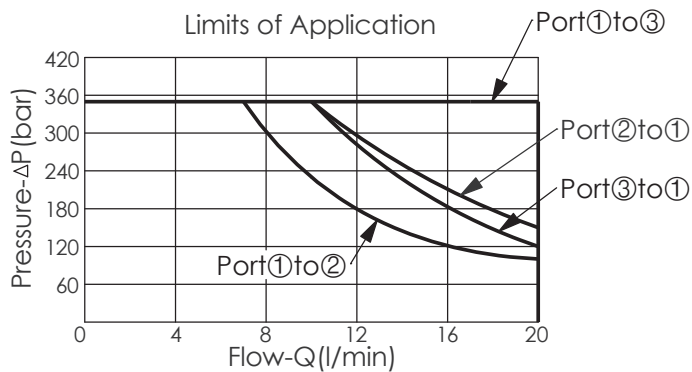
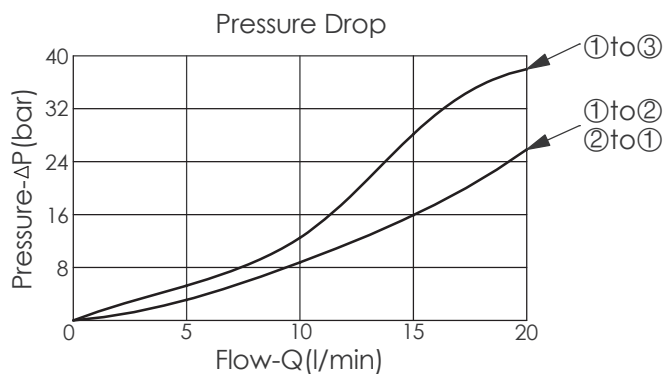
Internal Leakage: 80cc/minute
max.at 210 bar

Filtration: 25 µm nominal or better

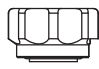
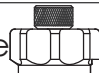
Minimum Voltage Required:
90 % of nominal

Coils must be ordered separately

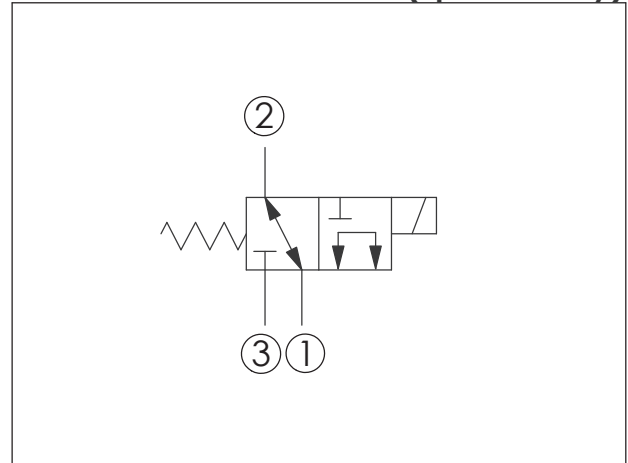
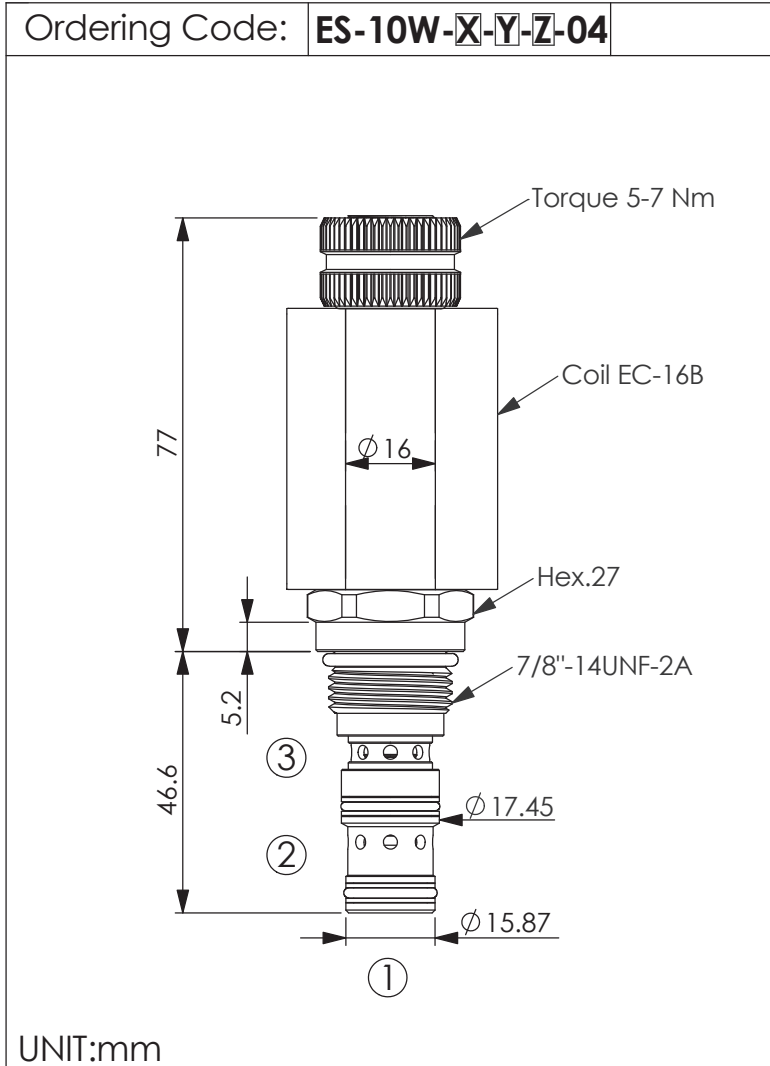
Mounting Position: unrestricted



X	STRUCTURE	
3A	3 Ports · 20 Watt. Coil ∅ 12.7 mm tube	

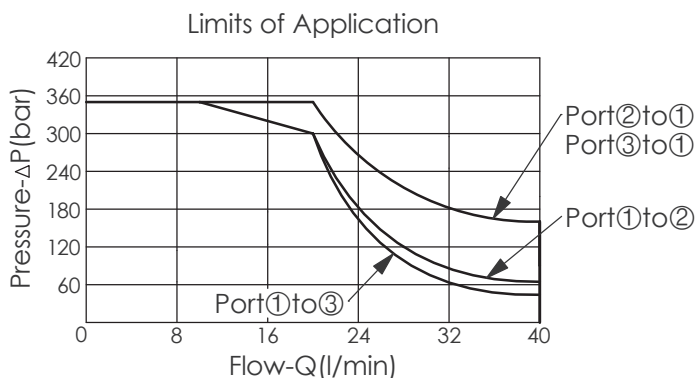
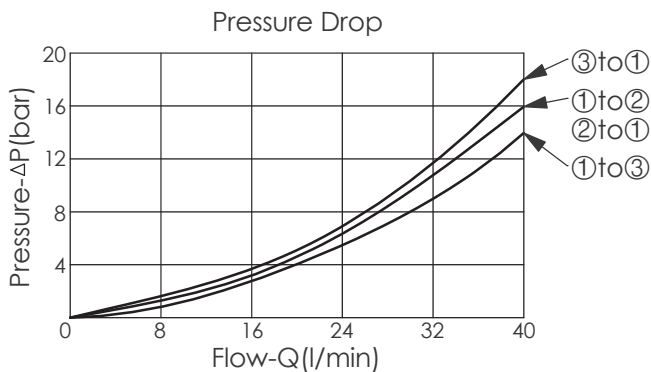
Z	OPTIONS	
N	Non-adjustable	
M	Screw-out Knob Style	

Y	OPERATION	
11	Spool 3-Way, 2-Position	



TECHNICAL DATA

Rated pressure:	350	bar
Rated flow:	25	l/min
Cavity-Tooling:	10W-3	
Installation torque:	44-56	Nm
Weight:	0.19	kg
Fluids-Temperatures:	-40~120	°C
Internal Leakage:	80cc/minute	max.at 210 bar
Filtration:	25 µm nominal or better	
Minimum Voltage Required:	90 % of nominal	
Coils must be ordered separately		
Mounting Position:	unrestricted	



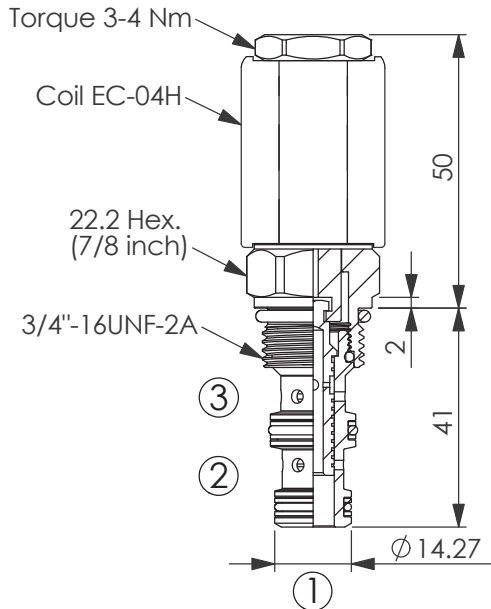
X	STRUCTURE	
3C	3 Ports - 26 Watt. Coil ∅ 16 mm tube	

Y	OPERATION	
11	Spool 3-Way, 2-Position	

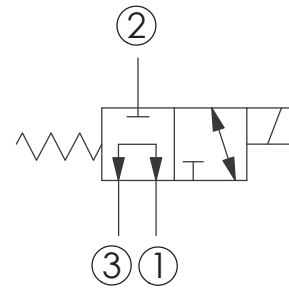
Z	OPTIONS	
N	Non-adjustable	
P	Push Style Manual Override	

Ordering Code: **ES-08W-X-Y-Z-04**

Note: This valve is designed for space-limited application. It only use **EC-04H** coil. Please contact our Sales Department for any information.



UNIT:mm



TECHNICAL DATA

Max. Operating pressure: 350 bar

Rated flow: 6 l/min

Cavity-Tooling: 08W-3

Installation torque: 39-51 Nm

Weight: 0.11 kg

Fluids-Temperatures: -40~120 °C

Internal Leakage: 80cc/minute

max.at 210 bar

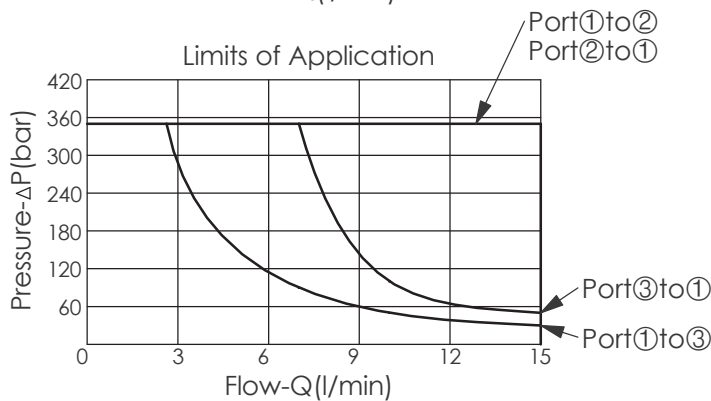
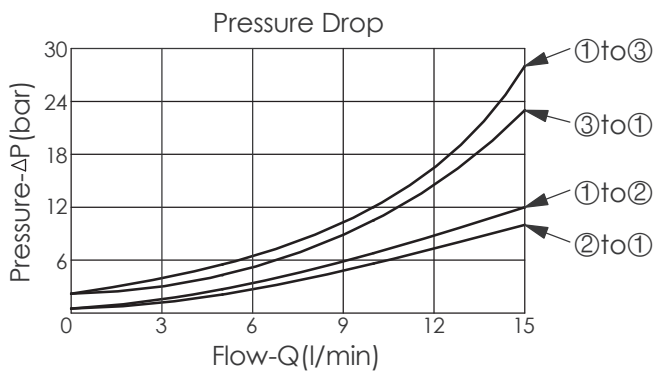
Filtration: 25 μm nominal or better

Minimum Voltage Required:

90 % of nominal

Coils must be ordered separately

Mounting Position: unrestricted

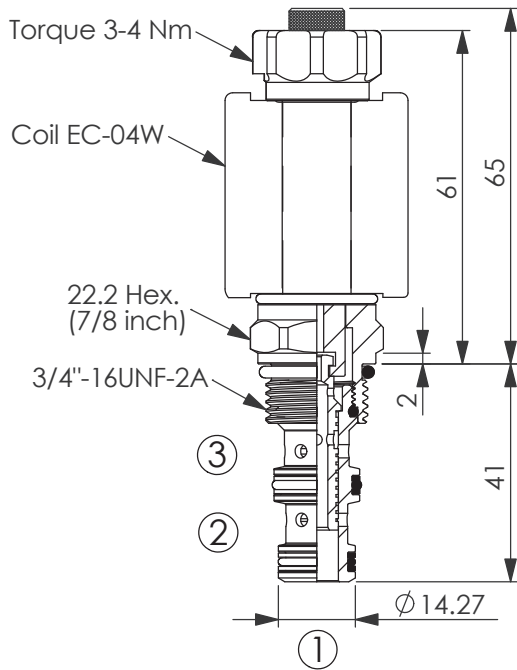


X	STRUCTURE	
3H	3 Ports ∼ 14.7 Watt. Coil	
	∅ 12.7 mm tube	

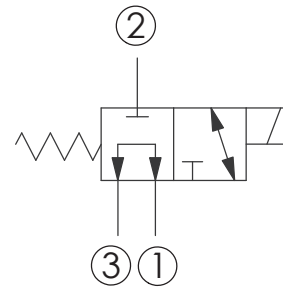
Z	OPTIONS	
N	Non-adjustable	

Y	OPERATION	
13	Spool 3-Way, 2 Position	

Ordering Code: **ES-08W-X-Y-Z-04**



UNIT:mm



TECHNICAL DATA

Max.Operating pressure: 350 bar

Rated flow: 10 l/min

Cavity-Tooling: 08W-3

Installation torque: 39-51 Nm

Weight: 0.13 kg

Fluids-Temperatures: -40~120 °C

Internal Leakage: 80cc/minute

max.at 210 bar

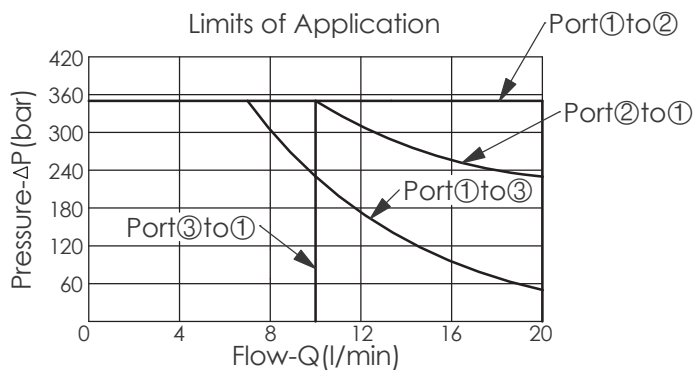
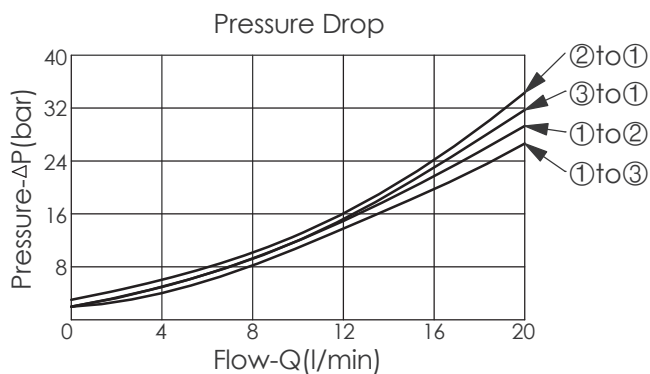
Filtration: 25 µm nominal or better

Minimum Voltage Required:

90 % of nominal

Coils must be ordered separately

Mounting Position: unrestricted



Y OPERATION

13 Spool 3-Way, 2 Position

X STRUCTURE

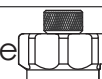
3A 3 Ports · 20 Watt. Coil
 ϕ 12.7 mm tube

Z OPTIONS

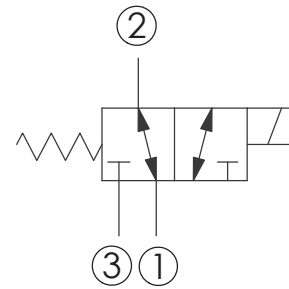
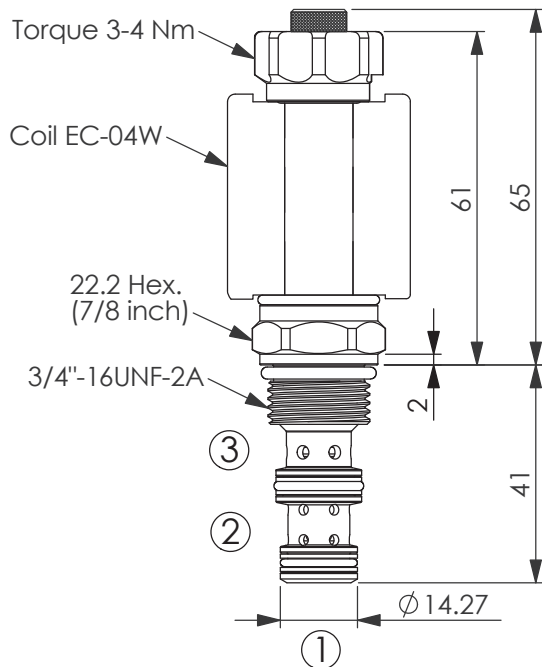
N Non-adjustable



M Screw-out Knob Style



Ordering Code: **ES-08W-X-Y-Z-04**



TECHNICAL DATA

Max. Operating pressure: 350 bar

Rated flow: 15 l/min

Cavity-Tooling: 08W-3

Installation torque: 39-51 Nm

Weight: 0.13 kg

Fluids-Temperatures: -40~120 °C

Internal Leakage: 80cc/minute

max. at 210 bar with 46 cSt oil

Filtration: 25 μ m nominal or better

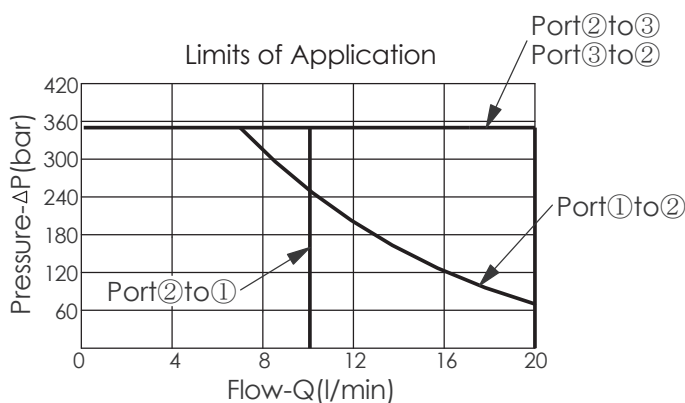
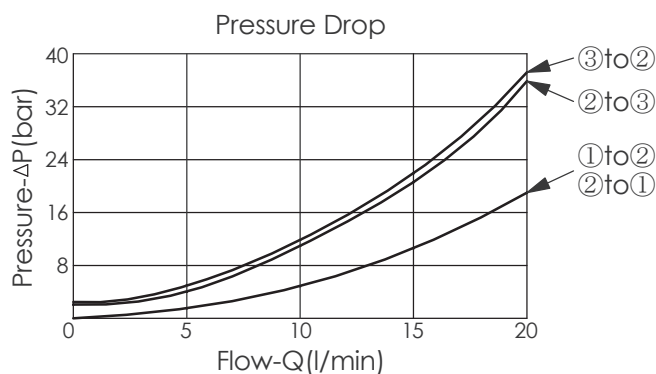
Minimum Voltage Required:

90 % of nominal

Coils must be ordered separately

Mounting Position: unrestricted

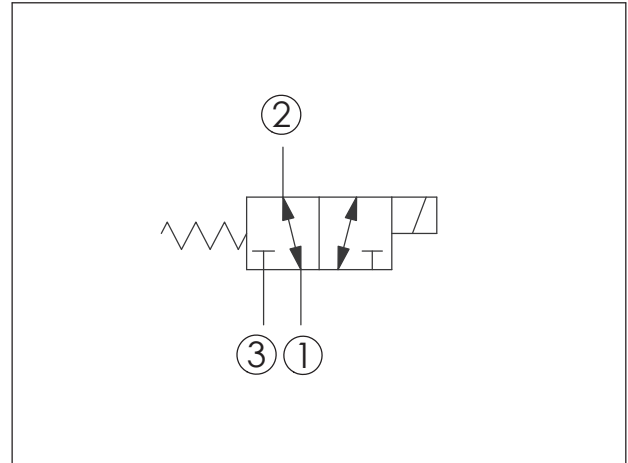
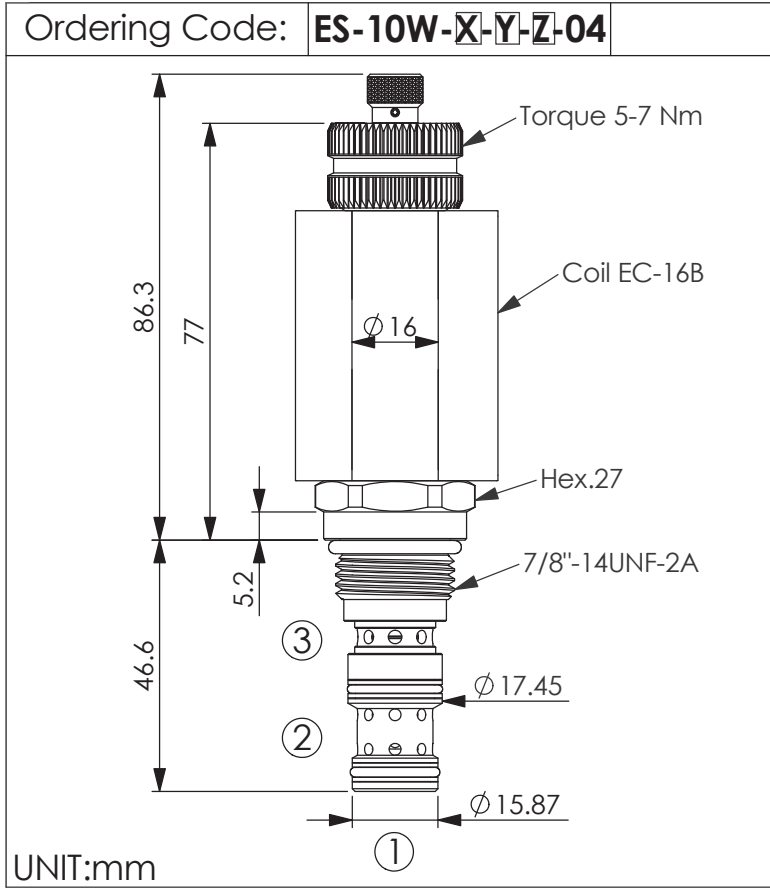
UNIT:mm



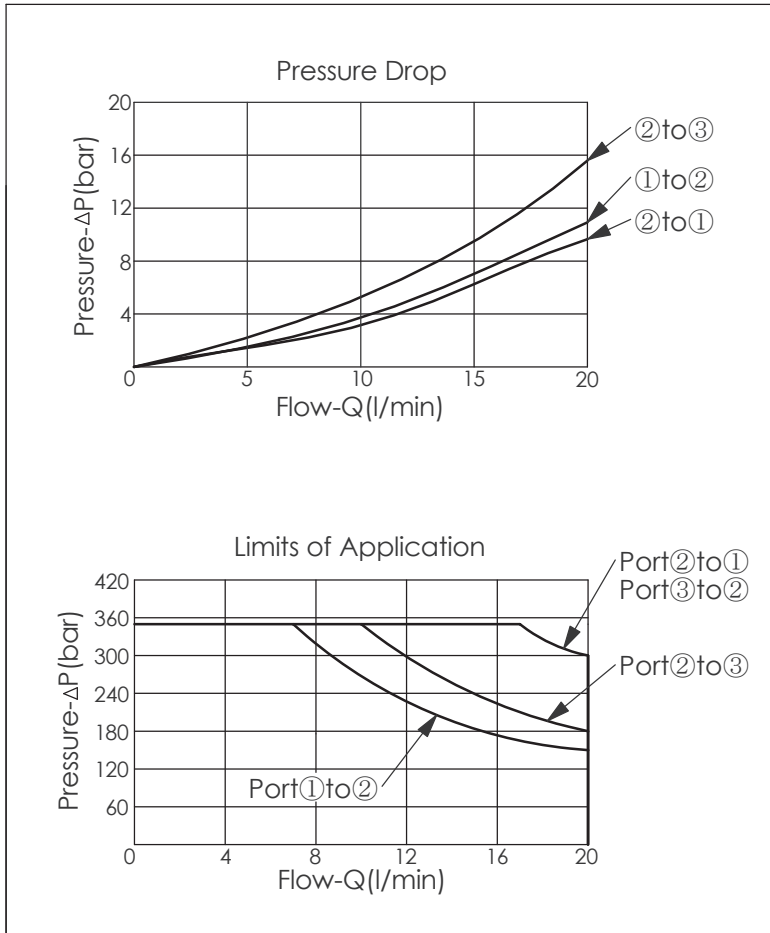
X	STRUCTURE	
3A	3 Ports · 20 Watt. Coil ϕ 12.7 mm tube	

Y	OPERATION	
14	Spool 3-Way, 2-Position	

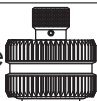
Z	OPTIONS	
N	Non-adjustable	
M	Screw-out Knob Style	



TECHNICAL DATA	
Max.Operating pressure:	350 bar
Rated flow:	20 l/min
Cavity-Tooling:	10W-3
Installation torque:	44-56 Nm
Weight:	0.20 kg
Fluids-Temperatures:	-40~120 °C
Internal Leakage:	80cc/minute max.at 210 bar
Filtration:	25 µm nominal or better
Minimun Voltage Required:	90 % of nominal
Coils must be ordered separately	
Mounting Position:	unrestricted

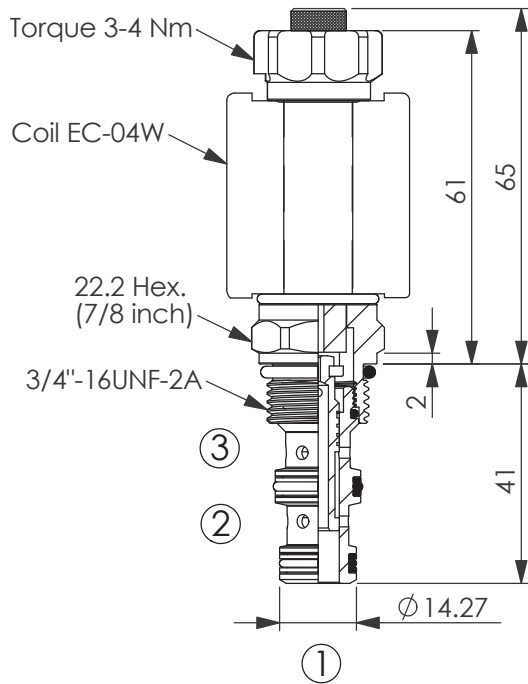


X	STRUCTURE	
3C	3 Ports · 26 Watt. Coil Ø 16 mm tube	

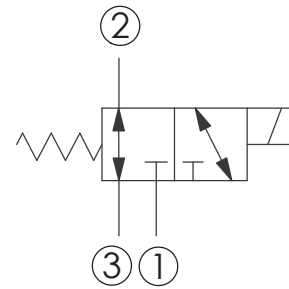
Z	OPTIONS	
N	Non-adjustable	
M	Screw-out Knob Style	

Y	OPERATION	
14	Spool 3-Way,2-Position	

Ordering Code: **ES-08W-X-Y-Z-04**



UNIT:mm



TECHNICAL DATA

Max.Operating pressure: 350 bar

Rated flow: 15 l/min

Cavity-Tooling: 08W-3

Installation torque: 39-51 Nm

Weight: 0.13 kg

Fluids-Temperatures: -40~120 °C

Internal Leakage: 80cc/minute

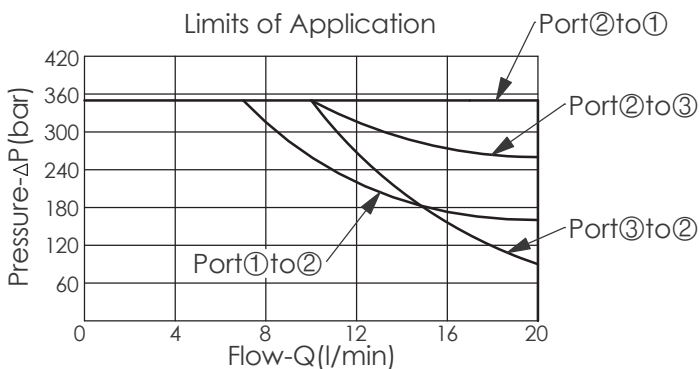
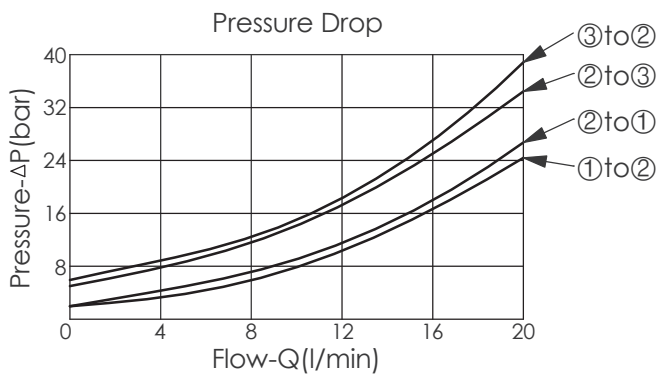
max.at 210 bar

Filtration: 25 µm nominal or better

Minimum Voltage Required:
90 % of nominal

Coils must be ordered separately

Mounting Position: unrestricted



Y OPERATION

15 Spool 3-Way,2-Position

X STRUCTURE

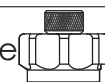
3A 3 Ports \ 20 Watt. Coil
∅ 12.7 mm tube

Z OPTIONS

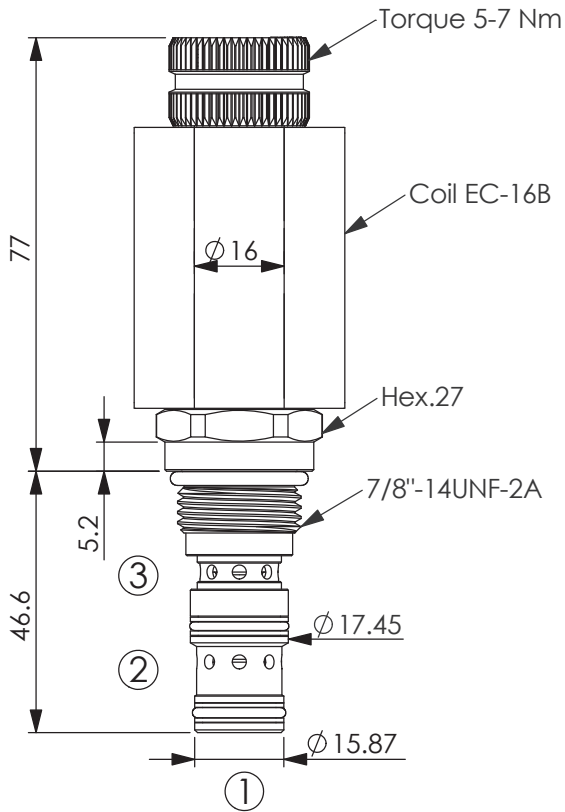
N Non-adjustable



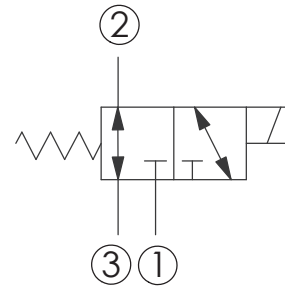
M Screw-out Knob Style



Ordering Code: **ES-10W-X-Y-Z-04**



UNIT:mm



TECHNICAL DATA

Rated pressure: 350 bar

Rated flow: 20 l/min

Cavity-Tooling: 10W-3

Installation torque: 44-56 Nm

Weight: 0.20 kg

Fluids-Temperatures: -40~120 °C

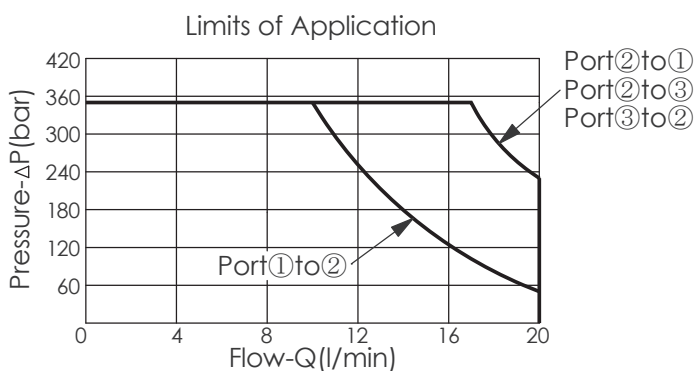
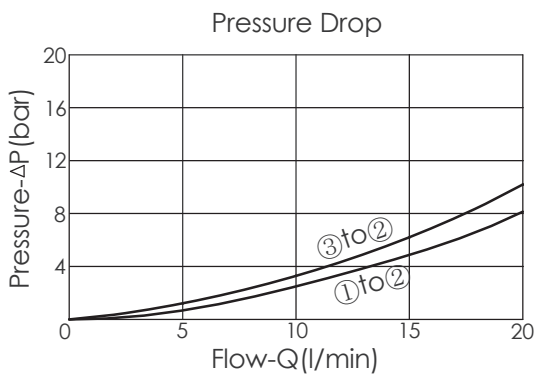
Internal Leakage: 80cc/minute
max.at 210 bar

Filtration: 25 µm nominal or better

Minimum Voltage Required:
90 % of nominal

Coils must be ordered separately

Mounting Position: unrestricted



X	STRUCTURE	
3C	3 Ports · 26 Watt. Coil Ø 16 mm tube	

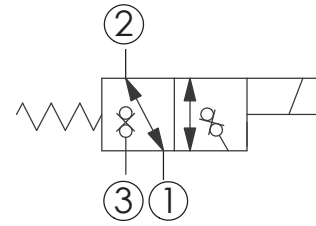
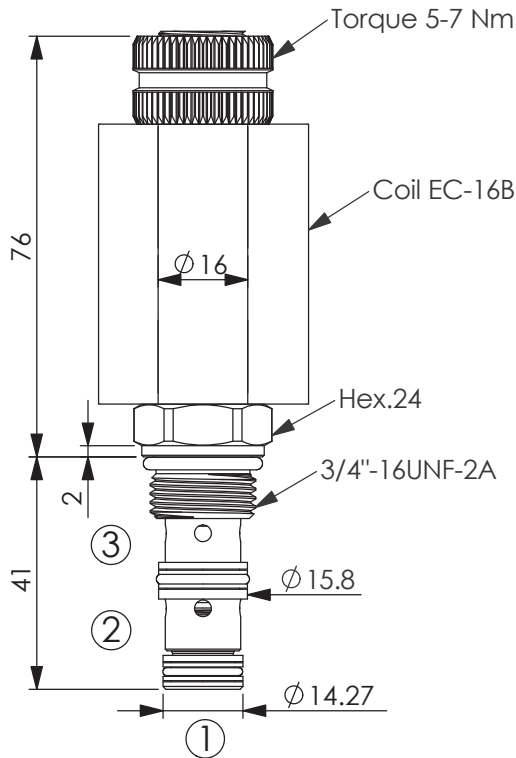
Y	OPERATION	
15	Spool 3-Way, 2-Position	

Z	OPTIONS	
N	Non-adjustable	
P	Push Style Manual Override	

SOLENOID OPERATED VALVE

(Direct-Acting Poppet 3-Way 2-Position Cartridge Style)

Ordering Code: **EP-08W-X-Y-Z-04**



TECHNICAL DATA

Max. Operating pressure: 350 bar

Rated flow: 10 l/min

Response Time Opening 20-40 ms
(2 → 3, 2 → 1) Closing 50-90 ms

Cavity-Tooling: 08W-3

Installation torque: 39-51 Nm

Weight: 0.19 kg

Fluids-Temperatures: -40~120 °C

Internal Leakage: 0.15cc/minute
(3 drops/minute) max.at 240 bar

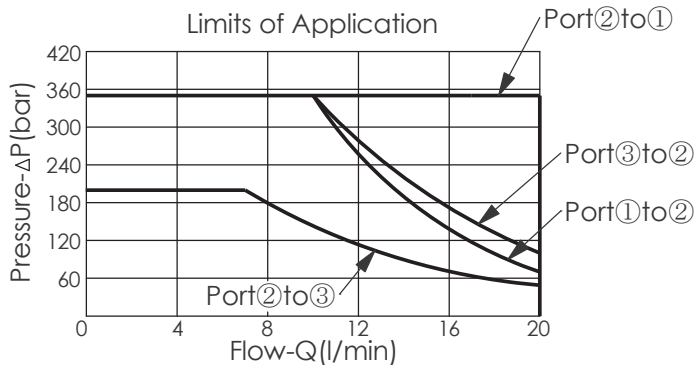
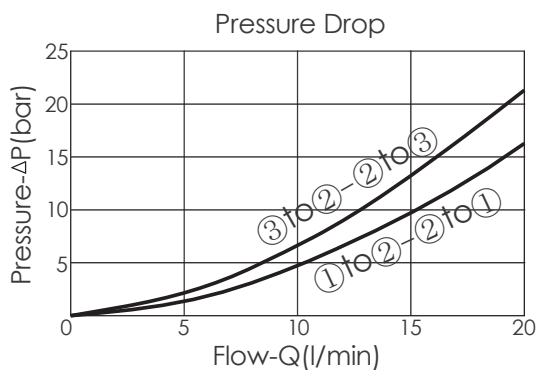
Filtration: 25 µm nominal or better

Minimum Voltage Required:
90 % of nominal

Coils must be ordered separately

Mounting Position: unrestricted

UNIT:mm



Y OPERATION

53 Direct-Acting Poppet 3-Way
2-Position Cartridge Style

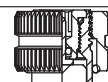
X STRUCTURE

3C 3 Ports - 26 Watt. Coil
Ø 16 mm tube

Z OPTIONS

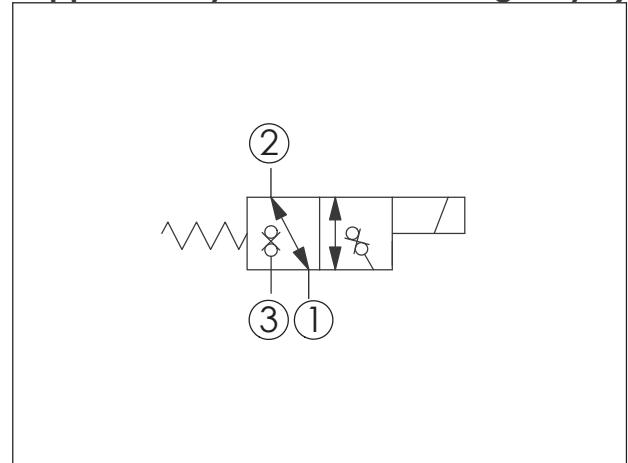
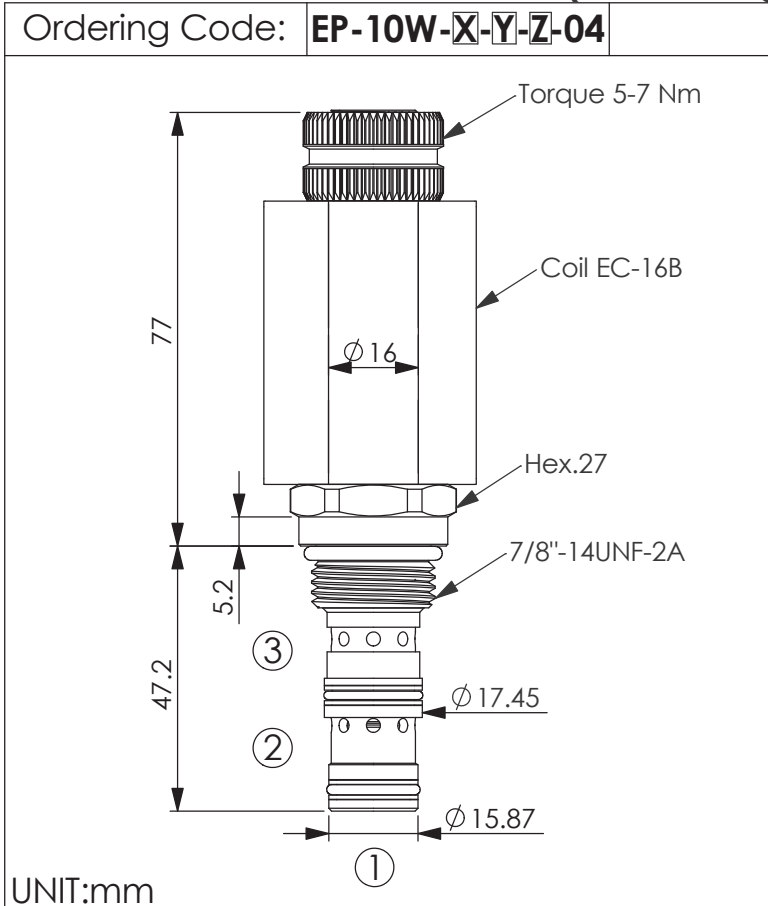
N Non-adjustable

P Push Style
Manual Override



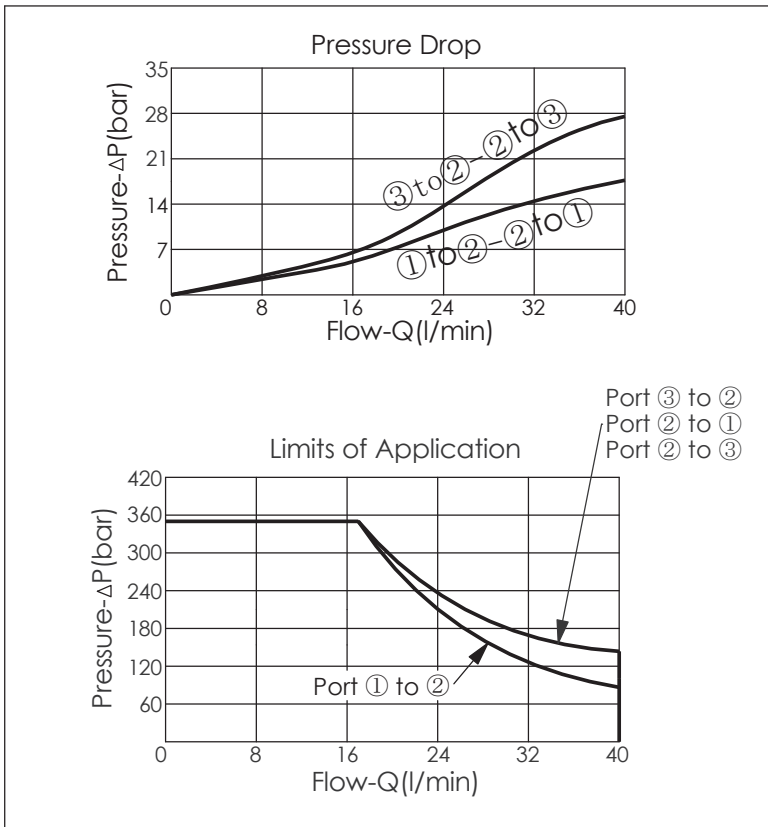
SOLENOID OPERATED VALVE

(Direct-Acting Poppet 3-Way 2-Position Cartridge Style)



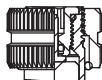
TECHNICAL DATA

Max.Operating pressure:	350 bar
Rated flow:	25 l/min See Performance Chart
Response Time Opening	25-40 ms
(2 → 3, 2 → 1) Closing	50-90 ms
Cavity-Tooling:	10W-3
Installation torque:	44-56 Nm
Weight:	0.21 kg
Fluids-Temperatures:	-40~120 °C
Internal Leakage:	0.15cc/minute (3 drops/minute) max.at 240 bar
Filtration:	25 µm nominal or better
Minimum Voltage Required:	90 % of nominal
Coils must be ordered separately	
Mounting Position:	unrestricted



Y	OPERATION
53	Direct-Acting Poppet 3-Way 2-Position Cartridge Style

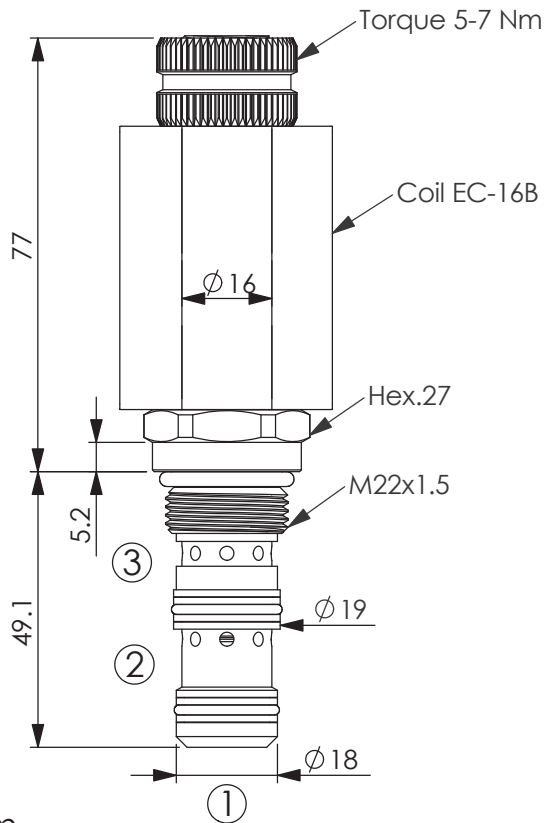
X	STRUCTURE
3C	3 Ports · 26 Watt. Coil ∅ 16 mm tube

Z	OPTIONS
N	Non-adjustable
P	Push Style Manual Override 

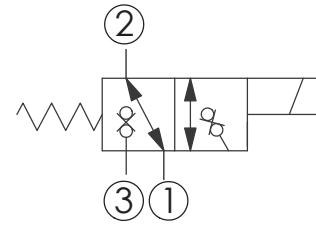
SOLENOID OPERATED VALVE

(Direct-Acting Poppet 3-Way 2-Position Cartridge Style)

Ordering Code: **EP-22M-X-Y-Z-04**



UNIT:mm



TECHNICAL DATA

Max.Operating pressure: 350 bar

Rated flow: 25 l/min
See Performance Chart

Response Time Opening 25-40 ms
(2 → 3, 2 → 1) Closing 50-90 ms

Cavity-Tooling: 22M-3

Installation torque: 35-45 Nm

Weight: 0.20 kg

Fluids-Temperatures: -40~120 °C

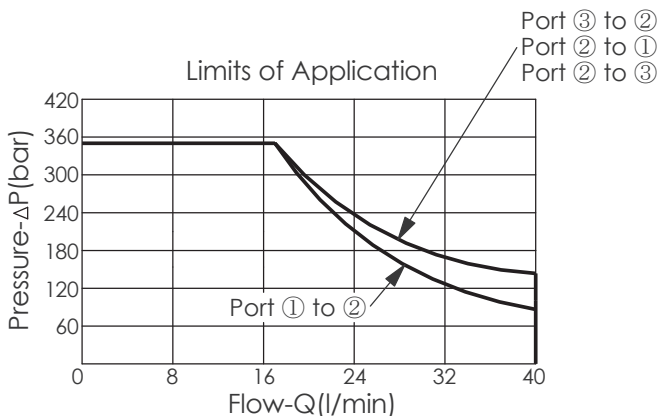
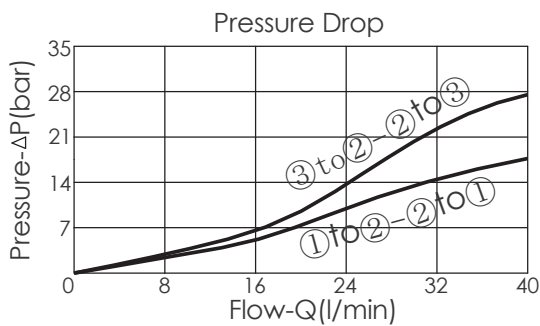
Internal Leakage: 0.15cc/minute
(3 drops/minute) max.at 240 bar

Filtration: 25 µm nominal or better

Minimum Voltage Required:
90 % of nominal

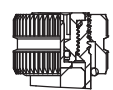
Coils must be ordered separately

Mounting Position: unrestricted



Y	OPERATION
53	Direct-Acting Poppet 3-Way 2-Position Cartridge Style

X	STRUCTURE
3C	3 Ports · 26 Watt. Coil ∅ 16 mm tube

Z	OPTIONS
N	Non-adjustable
P	Push Style Manual Override 

CENTRALA ELBLĄG

Ul. Rawska 19B
82-300 Elbląg

tel. /+48/ 55 625 51 00

fax /+48/ 55 625 51 01

Dział Handlowy

tel. /+48/ 55 625 51 51

elblag@hydropress.pl



www.hydropress.pl

ODDZIAŁ GDAŃSK

tel. /+48/ 55 625 51 21

fax /+48/ 55 625 51 22

ODDZIAŁ RUMIA

tel. /+48/ 58 679 34 15

fax /+48/ 55 625 51 25

ODDZIAŁ TYCHY

tel. /+48/ 32 787 52 88

fax /+48/ 55 625 51 38

ODDZIAŁ OLSZTYN

tel. /+48/ 89 532 01 05

fax /+48/ 89 715 21 42

ODDZIAŁ WARSZAWA

tel. /+48/ 22 468 86 97

fax /+48/ 55 625 51 32

BIURO WE WROCŁAWIU

tel. /+48/ 782 838 000

fax /+48/ 55 625 51 35

BIURO W KIELCACH

tel. /+48/ 885 995 501

fax /+48/ 55 625 51 01

BIURO W KRAKOWIE

tel. /+48/ 885 995 019

fax /+48/ 55 625 51 01

BIURO W OPOLU

tel. /+48/ 885 995 011

fax /+48/ 55 625 51 01

BIURO W BYDGOSZCZY

tel. /+48/ 790 222 771

fax /+48/ 55 625 51 01

BIURO W BIAŁYMSTOKU

tel. /+48/ 89 532 01 05

fax /+48/ 89 715 21 42

BIURO W ŁODZI

tel. /+48/ 609 221 421

fax /+48/ 89 715 21 42