



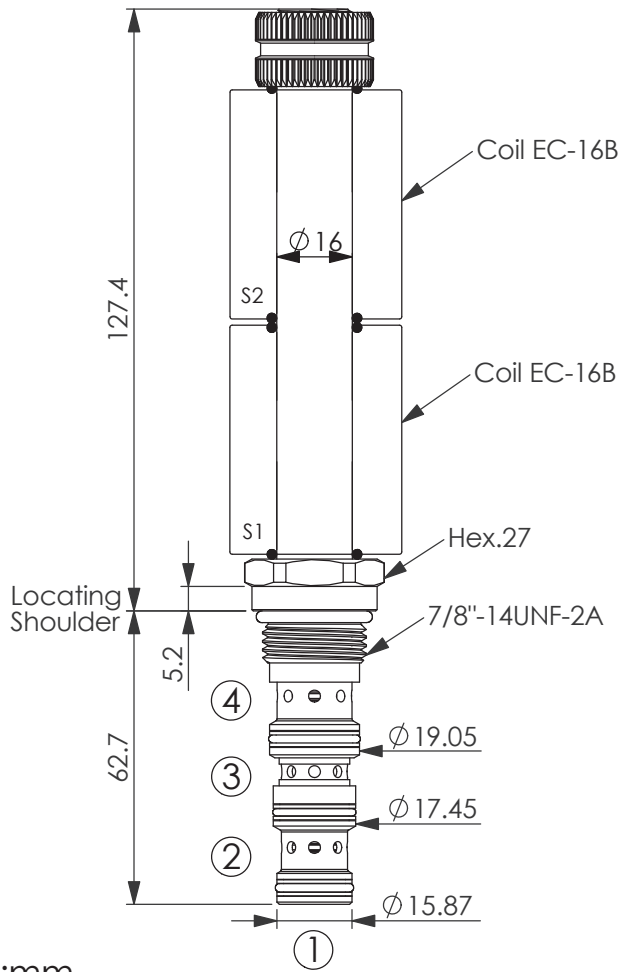
ZAWORY

STEROWANE CEWKĄ

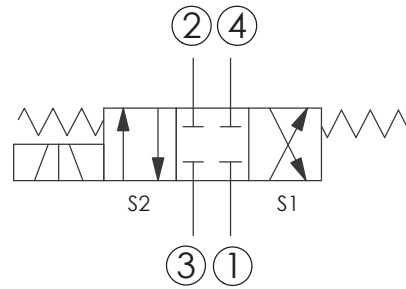
4-DROGOWE, TRZYPOŁOŻENIOWE

SOLENOID OPERATED VALVES (4-Way, 3-Position Spool)

Ordering Code: **ES-10W-X-Y-Z-04**



UNIT:mm



TECHNICAL DATA

Rated pressure: 350 bar

Rated flow: 20 l/min

Cavity-Tooling: 10W-4

Installation torque: 44-56 Nm

Weight: 0.29 (Z:N,P) kg

Fluids-Temperatures: -40 to 120 °C

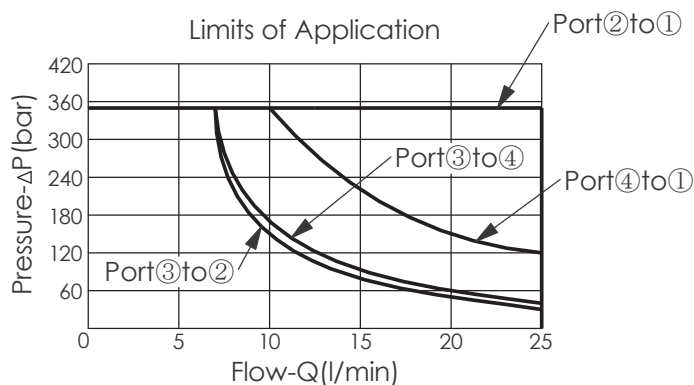
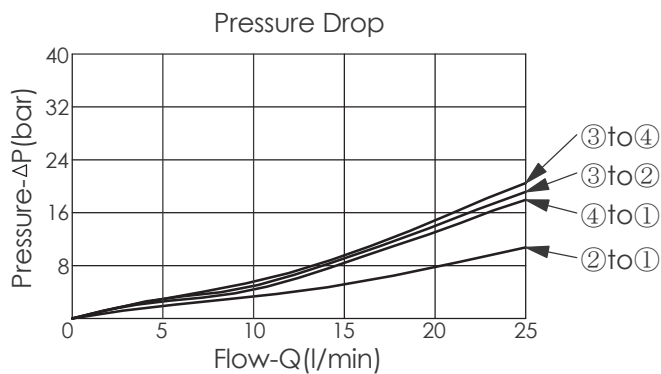
Internal Leakage: 80cc/minute
max.at 210 bar

Filtration: 25 µm nominal or better

Minimum Voltage Required:
90 % of nominal

Coils must be ordered separately

Mounting Position: unrestricted

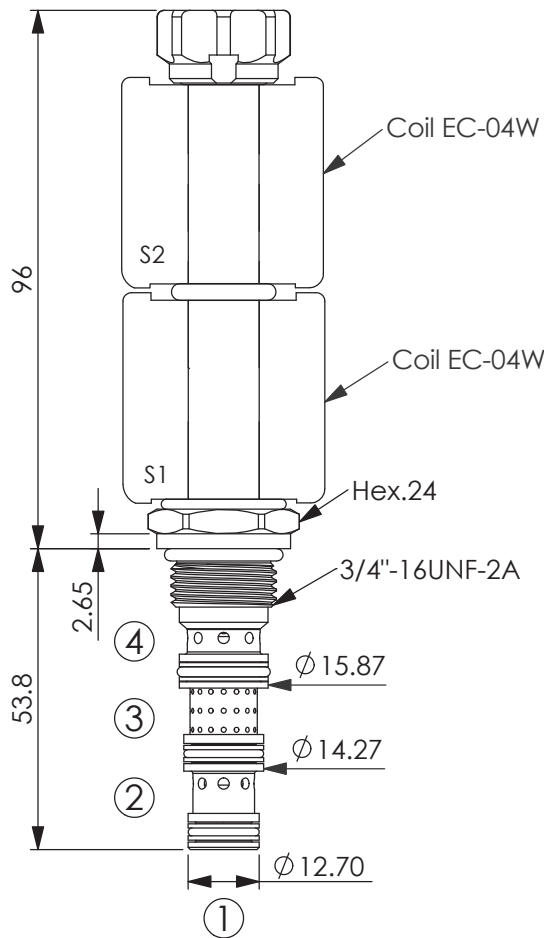


X	STRUCTURE	
4C	4 Ports · 26 Watt. Coil	
	∅ 16 mm tube	

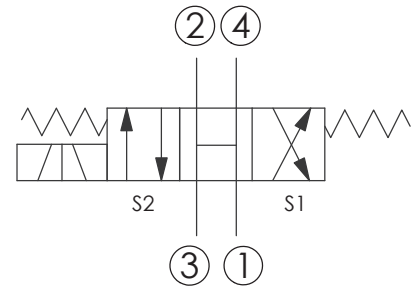
Y	OPERATION	
22	Spool 4-Ways,3-Positions	

Z	OPTIONS	
N	Non-adjustable	
P	Push Style Manual Override	

Ordering Code: **ES-08W-X-Y-Z-04**



UNIT:mm



TECHNICAL DATA

Rated pressure: 350 bar

Rated flow: 8 l/min

Cavity-Tooling: 08W-4

Installation torque: 39-51 Nm

Weight: 0.15 kg

Fluids-Temperatures: -40~120 °C

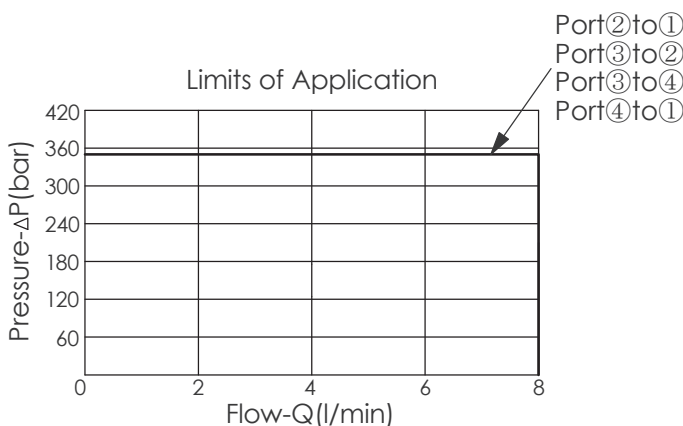
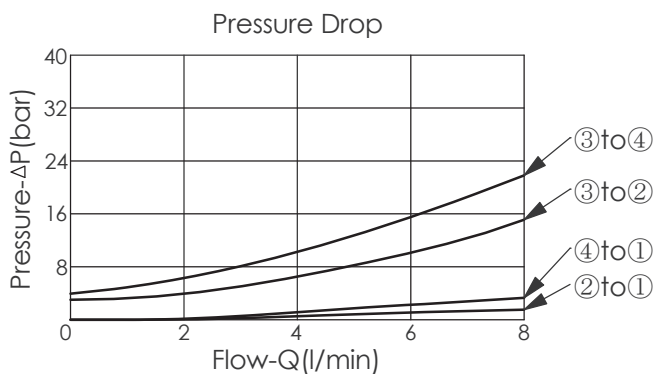
Internal Leakage: 80cc/minute
max.at 210 bar

Filtration: 25 µm nominal or better

Minimum Voltage Required:
90 % of nominal

Coils must be ordered separately

Mounting Position: unrestricted



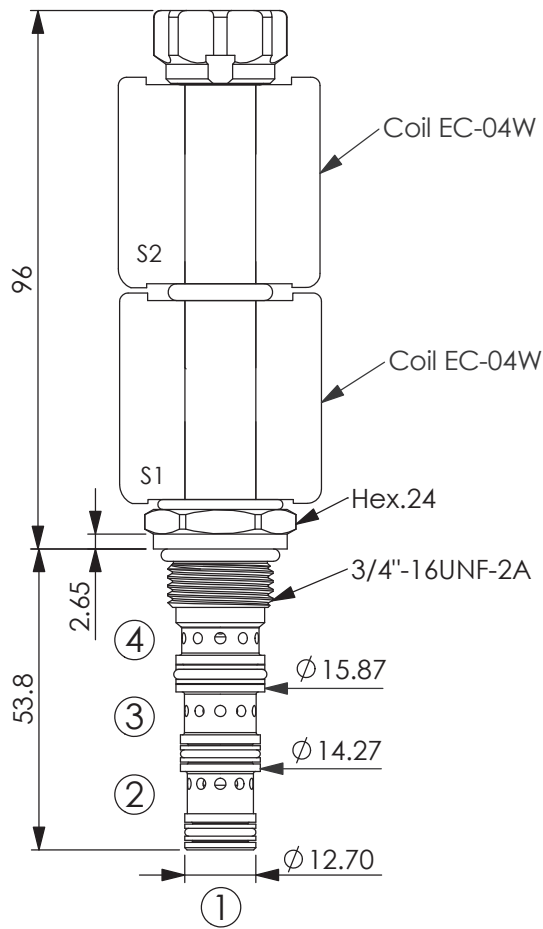
X	STRUCTURE	
4A	4 Ports · 20 Watt. Coil φ 12.7 mm tube	

Y	OPERATION	
23	Spool 4-Ways,3-Positions	

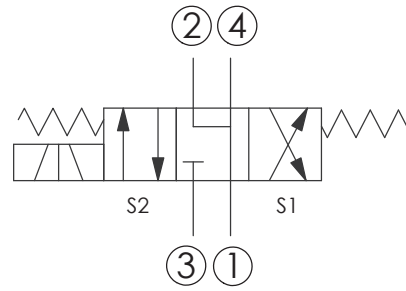
Z	OPTIONS	
N	Non-adjustable	
P	Push Style Manual Override	

SOLENOID OPERATED VALVES (4-Way, 3-Position Spool)

Ordering Code: **ES-08W-X-Y-Z-04**



UNIT:mm



TECHNICAL DATA

Rated pressure: 350 bar

Rated flow: 10 l/min

Cavity-Tooling: 08W-4

Installation torque: 25-35 Nm

Weight: 0.15 kg

Fluids-Temperatures: -40~120 °C

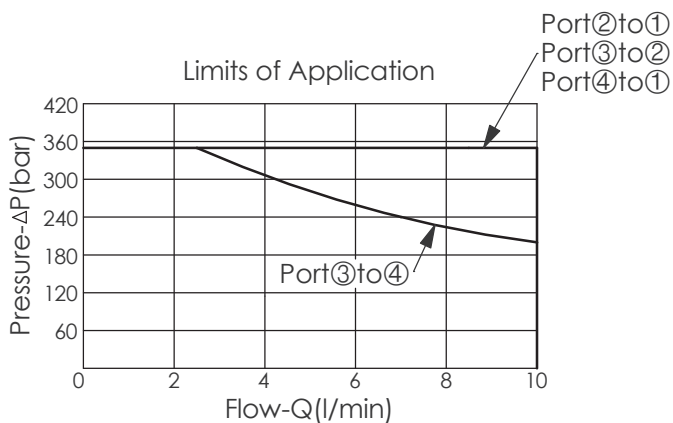
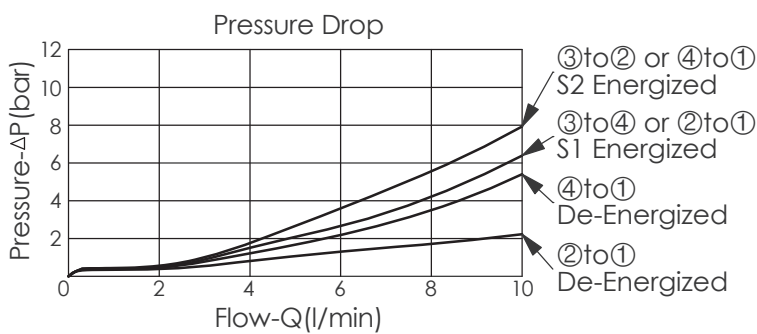
Internal Leakage: 80cc/minute
max.at 210 bar

Filtration: 25 µm nominal or better

Minimum Voltage Required:
90 % of nominal

Coils must be ordered separately

Mounting Position: unrestricted

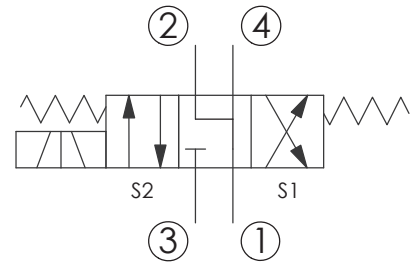
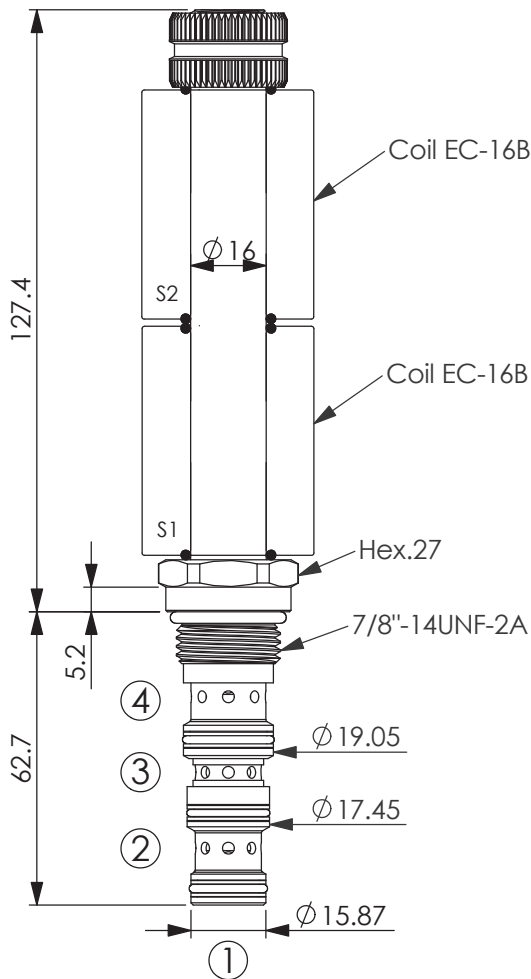


X	STRUCTURE	
4A	4 Ports \ 20 Watt. Coil ∅ 12.7 mm tube	

Y	OPERATION	
24	Spool 4-Ways,3-Positions	

Z	OPTIONS	
P	Push Style Manual Override	

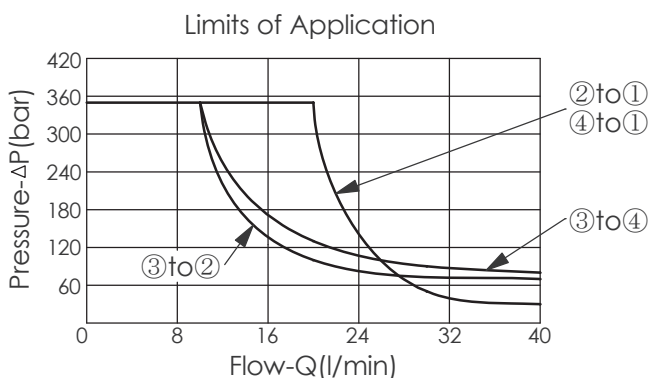
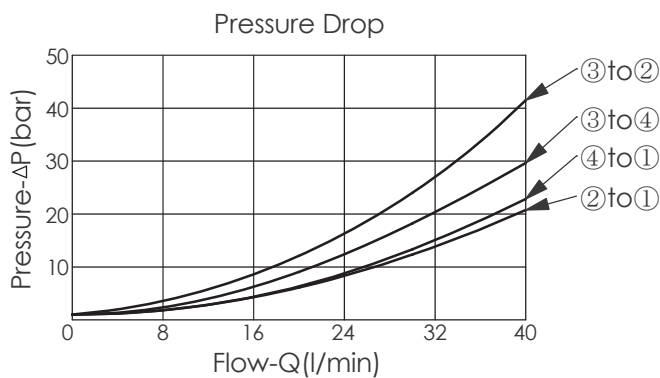
Ordering Code: **ES-10W-X-Y-Z-04**



TECHNICAL DATA

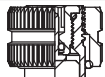
Rated pressure:	350	bar
Rated flow:	20	l/min
Cavity-Tooling:	10W-4	
Installation torque:	44-56	Nm
Weight:	0.29	kg
Fluids-Temperatures:	-40~120	°C
Internal Leakage:	80cc/minute	max.at 210 bar
Filtration:	25 μm nominal or better	
Minimum Voltage Required:	90 % of nominal	
Coils must be ordered separately		
Mounting Position:	unrestricted	

UNIT:mm

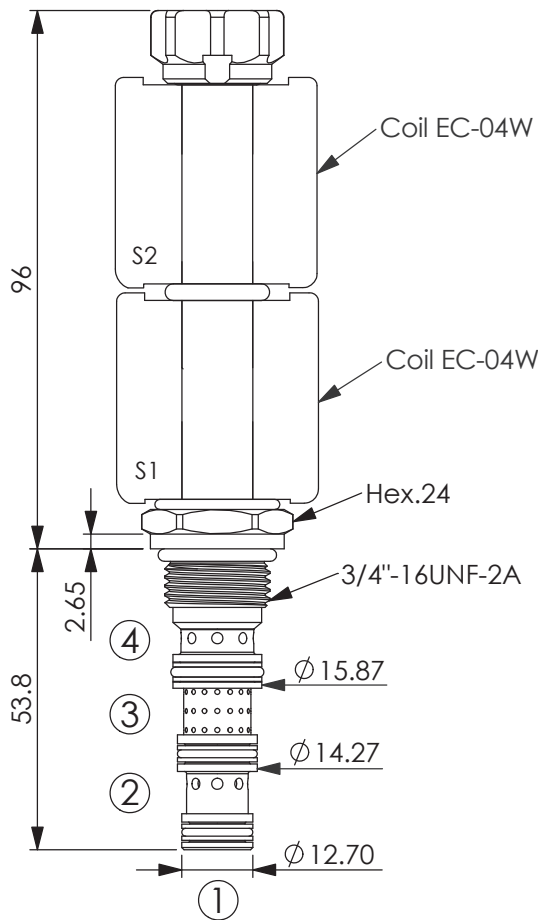


X	STRUCTURE
4C	4 Ports - 26 Watt. Coil Ø 16 mm tube

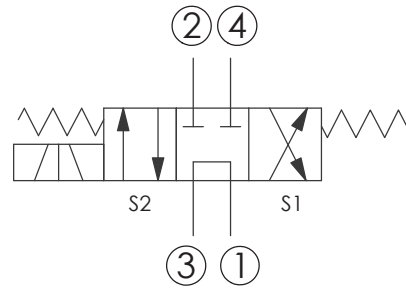
Y	OPERATION
24	Spool 4-Ways,3-Positions

Z	OPTIONS
N	Non-adjustable
P	Push Style Manual Override 

Ordering Code: **ES-08W-X-Y-Z-04**



UNIT:mm



TECHNICAL DATA

Rated pressure: 350 bar

Rated flow: 8 l/min

Cavity-Tooling: 08W-4

Installation torque: 25-35 Nm

Weight: 0.15 kg

Fluids-Temperatures: -40~120 °C

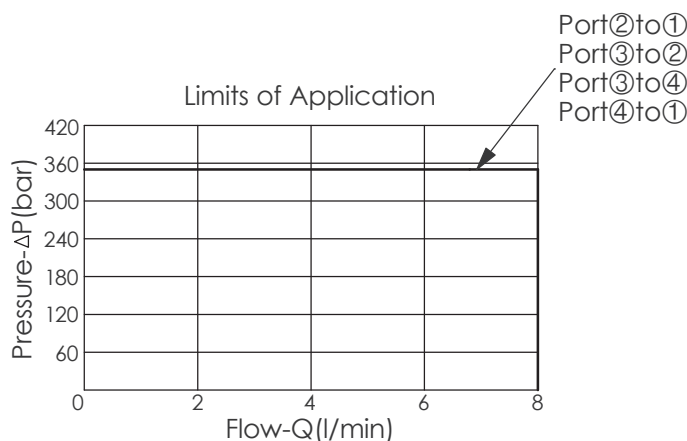
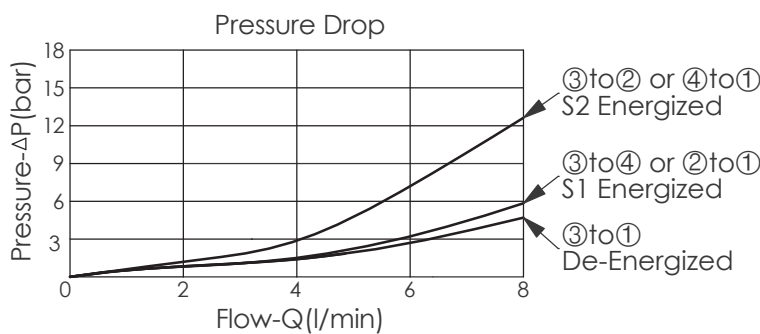
Internal Leakage: 80cc/minute
max.at 210 bar

Filtration: 25 µm nominal or better

Minimum Voltage Required:
90 % of nominal

Coils must be ordered separately

Mounting Position: unrestricted

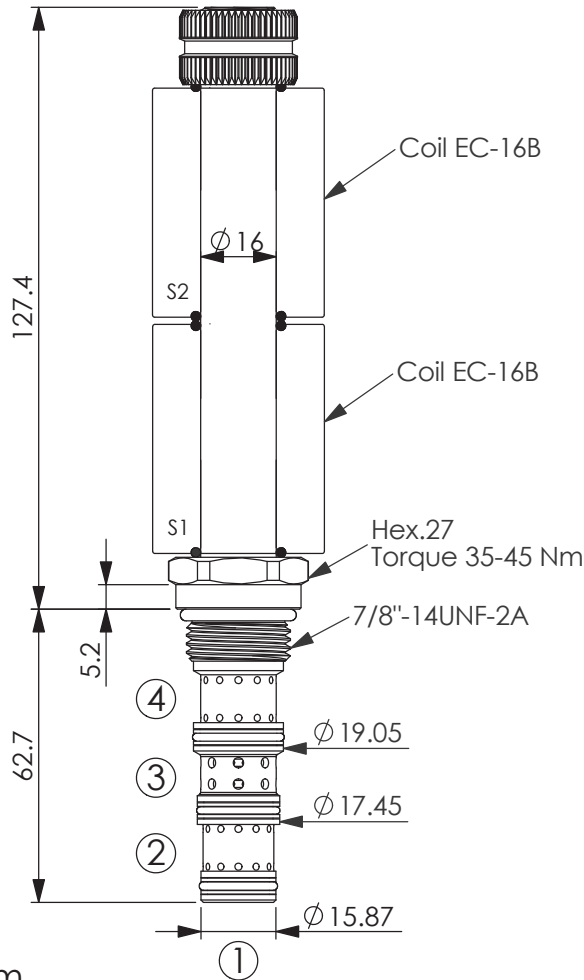


X	STRUCTURE	
4A	4 Ports \ 20 Watt. Coil Ø 12.7 mm tube	

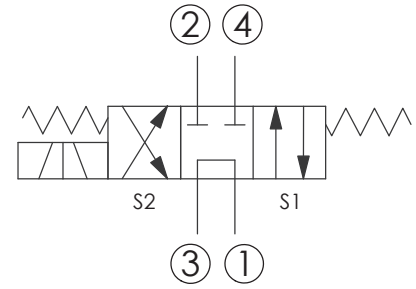
Y	OPERATION	
26	Spool 4-Ways,3-Positions	

Z	OPTIONS	
P	Push Style Manual Override	

Ordering Code: **ES-10W-X-Y-Z-04**

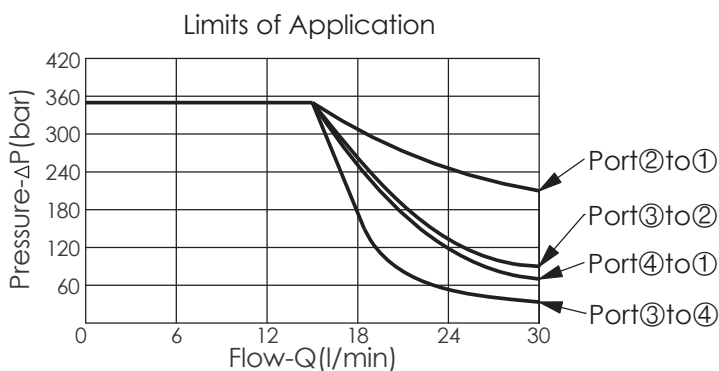
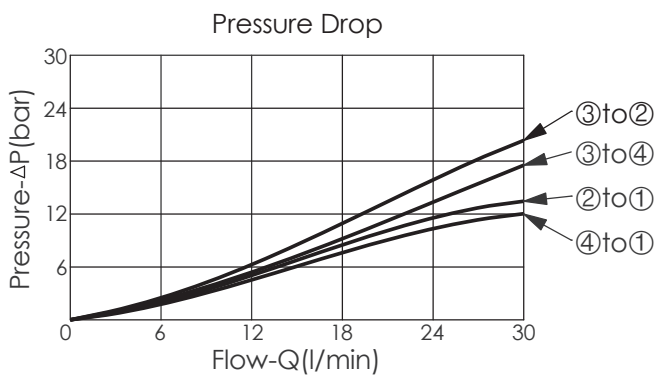


UNIT:mm



TECHNICAL DATA

Rated pressure:	350	bar
Rated flow:	20	l/min
Cavity-Tooling:	10W-4	
Installation torque:	44-56	Nm
Weight:	0.29	kg
Fluids-Temperatures:	-40~120	°C
Internal Leakage:	80cc/minute	max.at 210 bar
Filtration:	25 μm nominal or better	
Minimum Voltage Required:	90 % of nominal	
Coils must be ordered separately		
Mounting Position:	unrestricted	



X	STRUCTURE	
4C	4 Ports · 26 Watt. Coil φ 16 mm tube	
Y	OPERATION	
26	Spool 4-Ways,3-Positions	
Z	OPTIONS	
P	Push Style Manual Override	

CENTRALA ELBLĄG

Ul. Rawska 19B
82-300 Elbląg

tel. /+48/ 55 625 51 00

fax /+48/ 55 625 51 01

Dział Handlowy

tel. /+48/ 55 625 51 51

elblag@hydropress.pl



www.hydropress.pl

ODDZIAŁ GDAŃSK

tel. /+48/ 55 625 51 21

fax /+48/ 55 625 51 22

ODDZIAŁ RUMIA

tel. /+48/ 58 679 34 15

fax /+48/ 55 625 51 25

ODDZIAŁ TYCHY

tel. /+48/ 32 787 52 88

fax /+48/ 55 625 51 38

ODDZIAŁ OLSZTYN

tel. /+48/ 89 532 01 05

fax /+48/ 89 715 21 42

ODDZIAŁ WARSZAWA

tel. /+48/ 22 468 86 97

fax /+48/ 55 625 51 32

BIURO WE WROCŁAWIU

tel. /+48/ 782 838 000

fax /+48/ 55 625 51 35

BIURO W KIELCACH

tel. /+48/ 885 995 501

fax /+48/ 55 625 51 01

BIURO W KRAKOWIE

tel. /+48/ 885 995 019

fax /+48/ 55 625 51 01

BIURO W OPOLU

tel. /+48/ 885 995 011

fax /+48/ 55 625 51 01

BIURO W BYDGOSZCZY

tel. /+48/ 790 222 771

fax /+48/ 55 625 51 01

BIURO W BIAŁYMSTOKU

tel. /+48/ 89 532 01 05

fax /+48/ 89 715 21 42

BIURO W ŁODZI

tel. /+48/ 609 221 421

fax /+48/ 89 715 21 42