

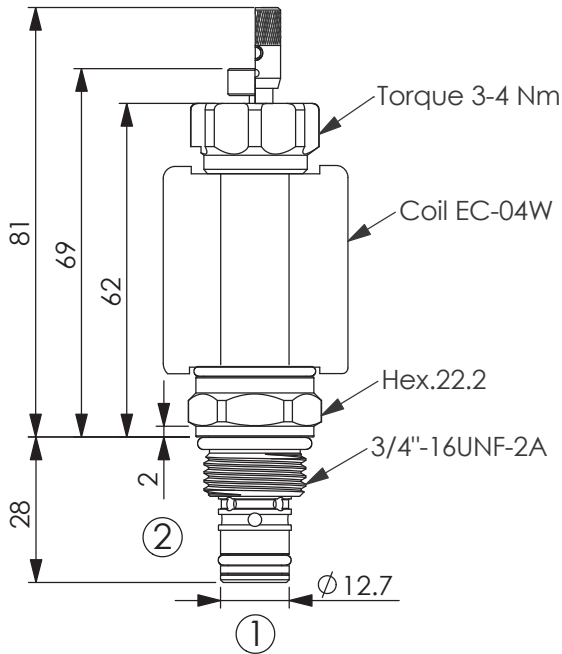


ZAWORY

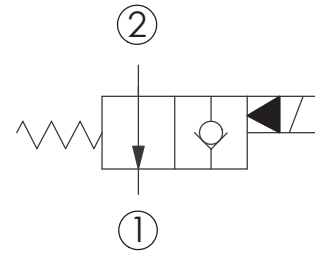
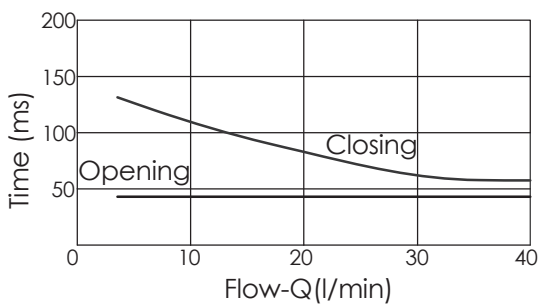
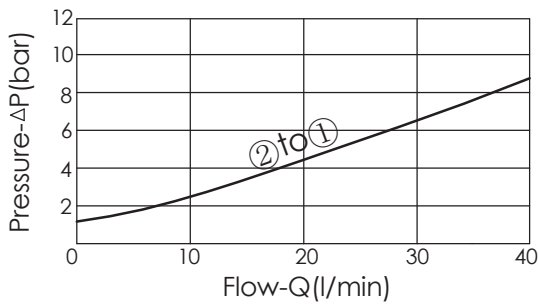
STEROWANE CEWKĄ
2-DROGOWE, DWUPOŁOŻENIOWE
JEDNOSTRONNIE SZCZELNE, OTWARTE

SOLENOID OPERATED VALVES (Poppet 2-Way Normally-Open Cartridge Style)

Ordering Code: **EP-08W-X-Y-Z-04**



UNIT:mm



TECHNICAL DATA

Max.Operating pressure: 350 bar

Rated flow: 30 l/min

Cavity-Tooling: 08W-2

Installation torque: 39-51 Nm

Weight: 0.13 kg

Fluids-Temperatures: -40~120 °C

Internal Leakage: 0.15cc/minute
(3 drops/minute) max.at 350 bar

Filtration: 25 μm nominal or better

Minimum Voltage Required:
90 % of nominal

Coils must be ordered separately

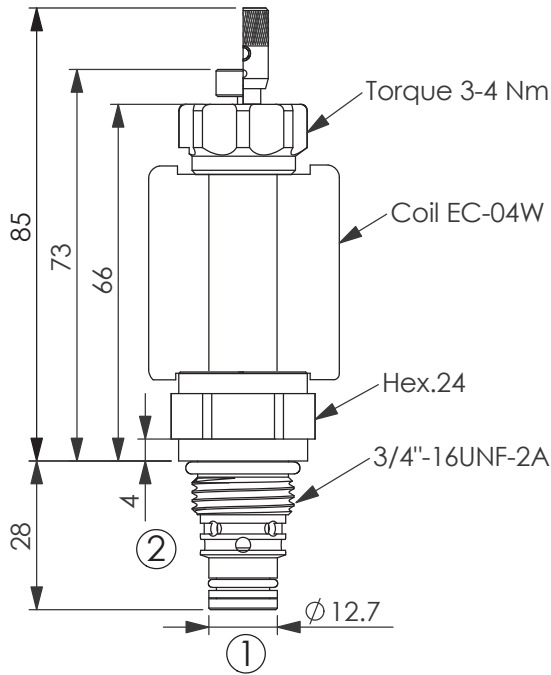
Mounting Position: unrestricted

X	STRUCTURE	
2A	2 Ports · 20 Watt. Coil	

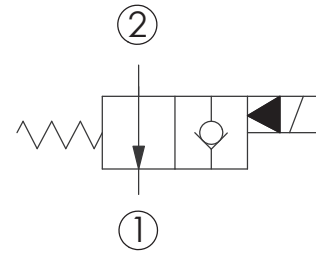
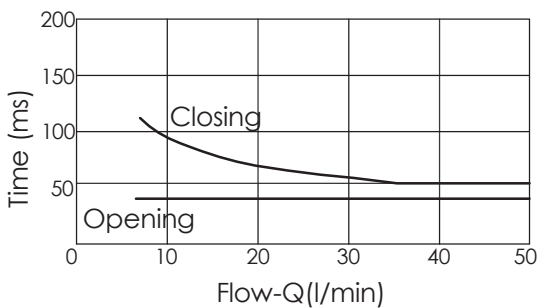
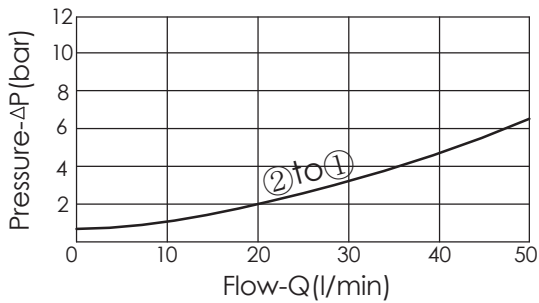
Y	OPERATION	
02	Normally-Open No Reverse Flow De-energized	

Z	OPTIONS	
N	Non-adjustable	
P	Push Style Manual Override	
T	Push and Twist Style Manual Override	

Ordering Code: **EP-08W-X-Y-Z-05**



UNIT:mm



TECHNICAL DATA

Max. Operating pressure: 350 bar

Rated flow: 40 l/min

Cavity-Tooling: 08W-2

Installation torque: 39-51 Nm

Weight: 0.13 kg

Fluids-Temperatures: -40~120 °C

Internal Leakage: 0.15cc/minute
(3 drops/minute) max.at 350 bar

Filtration: 25 μm nominal or better

Minimum Voltage Required:
90 % of nominal

Coils must be ordered separately

Mounting Position: unrestricted

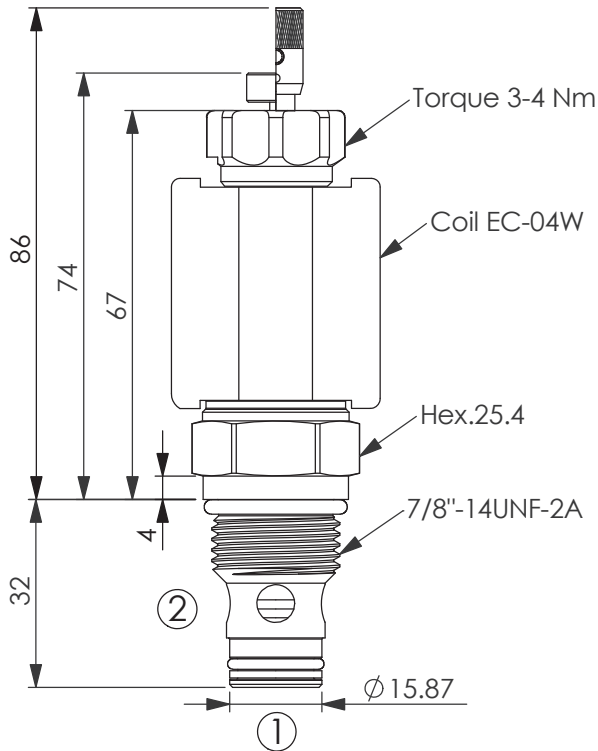
X	STRUCTURE	
2A	2 Ports - 20 Watt. Coil	

Y	OPERATION	
02	Normally-Open No Reverse Flow De-energized	

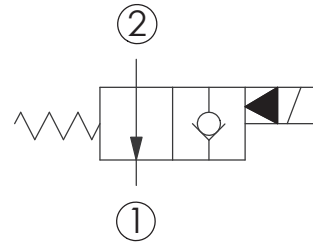
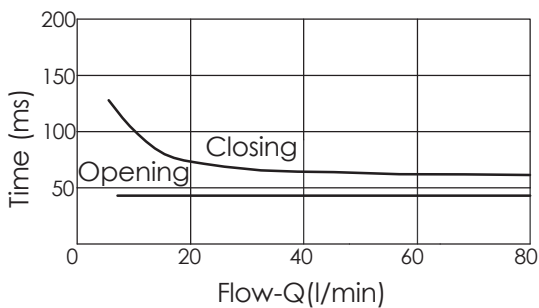
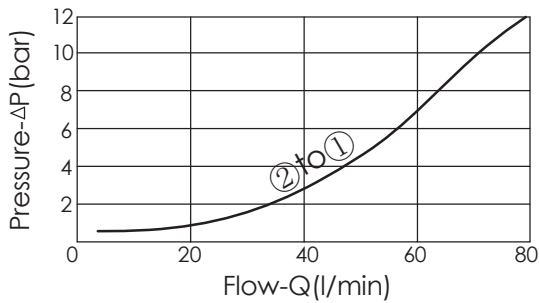
Z	OPTIONS	
N	Non-adjustable	
P	Push Style Manual Override	
T	Push and Twist Style Manual Override	

SOLENOID OPERATED VALVES (Poppet 2-Way Normally-Open Cartridge Style)

Ordering Code: **EP-10W-X-Y-Z-05**



UNIT:mm



TECHNICAL DATA

Max.Operating pressure: 350 bar

Rated flow: 70 l/min

Cavity-Tooling: 10W-2

Installation torque: 44-56 Nm

Weight: 0.16 kg

Fluids-Temperatures: -40~120 °C

Internal Leakage: 0.15cc/minute

(3 drops/minute) max.at 350 bar

Filtration: 25 μm nominal or better

Minimum Voltage Required:

90 % of nominal

Coils must be ordered separately

Mounting Position: unrestricted

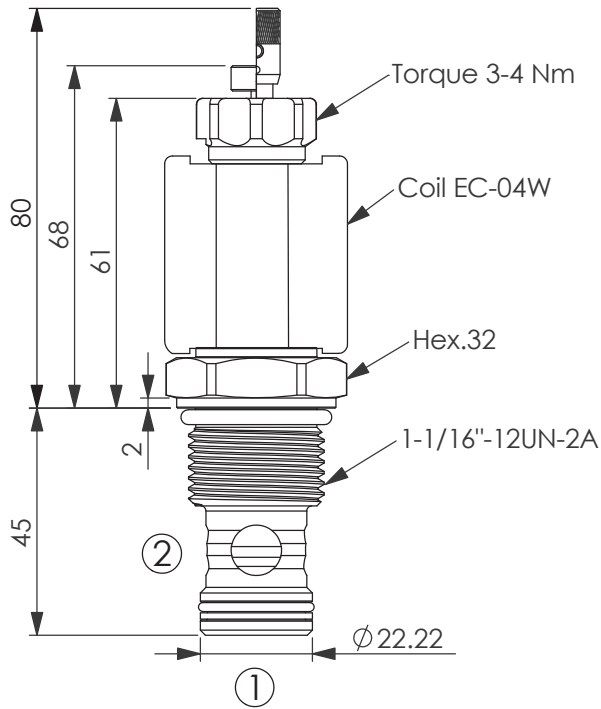
X	STRUCTURE	
2A	2 Ports - 20 Watt. Coil	

Y	OPERATION	
02	Normally-Open No Reverse Flow De-energized	

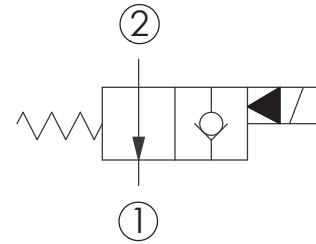
Z	OPTIONS	
N	Non-adjustable	
P	Push Style Manual Override	
T	Push and Twist Style Manual Override	

SOLENOID OPERATED VALVES (Poppet 2-Way Normally-Open Cartridge Style)

Ordering Code: **EP-12W-X-Y-Z-05**



UNIT:mm



TECHNICAL DATA

Max.Operating pressure: 350 bar

Rated flow: 150 l/min

Cavity-Tooling: 12W-2

Installation torque: 54-66 Nm

Weight: 0.23 kg

Fluids-Temperatures: -40~120 °C

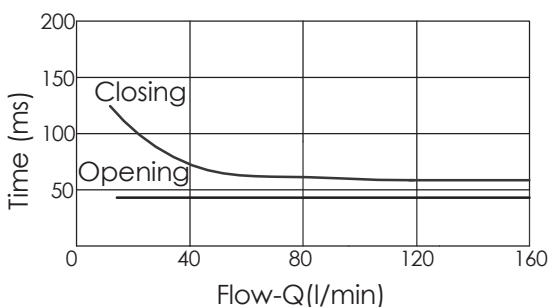
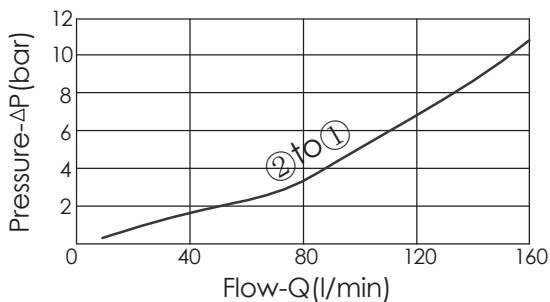
Internal Leakage: 0.15cc/minute
(3 drops/minute) max.at 350 bar

Filtration: 25 µm nominal or better

Minimum Voltage Required:
90 % of nominal

Coils must be ordered separately

Mounting Position: unrestricted

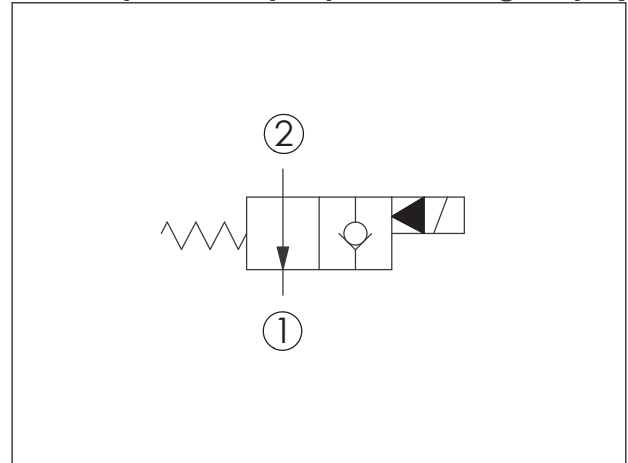
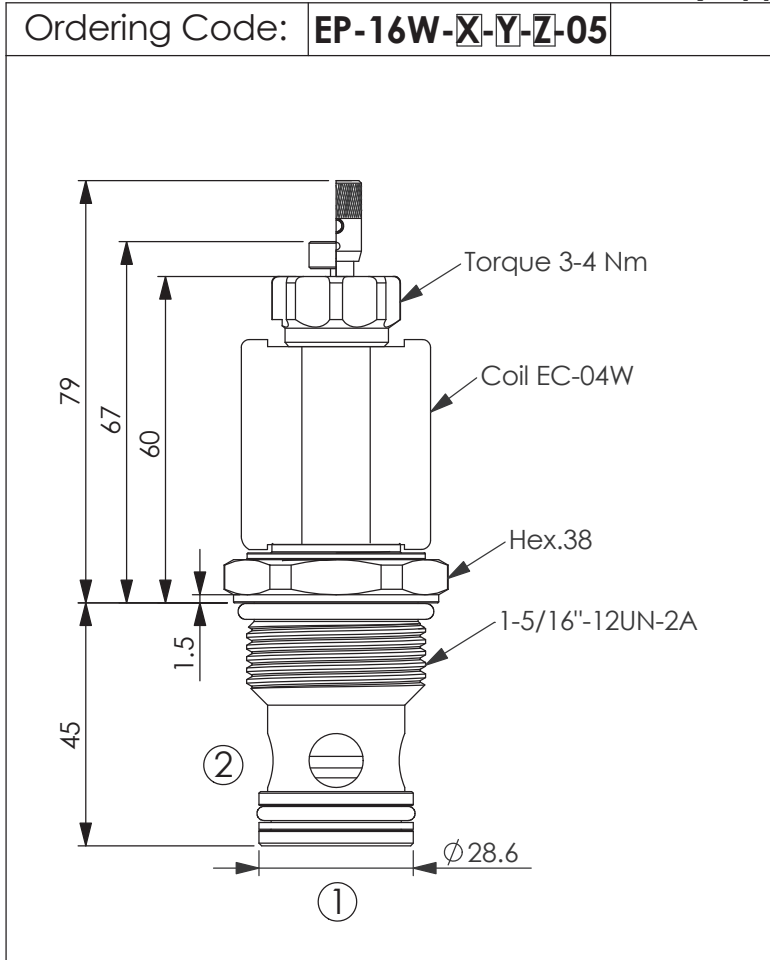


X	STRUCTURE	
2A	2 Ports	20 Watt. Coil

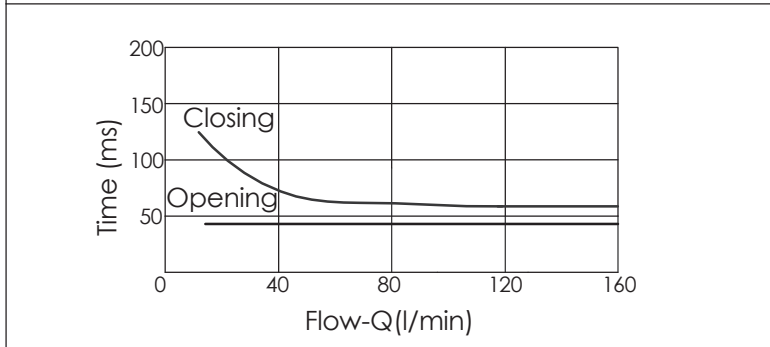
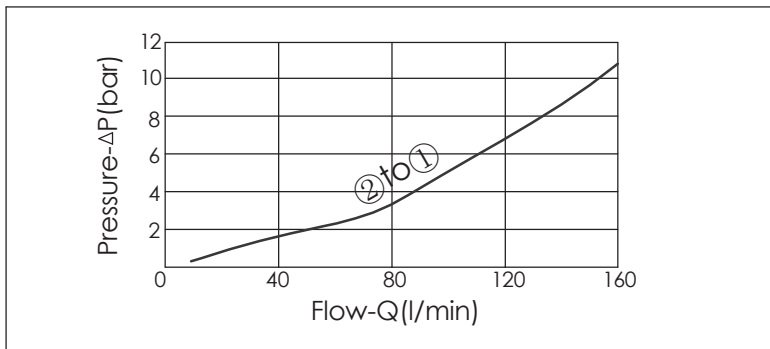
Y	OPERATION	
02	Normally-Open No Reverse Flow De-energized	

Z	OPTIONS	
N	Non-adjustable	
P	Push Style Manual Override	
T	Push and Twist Style Manual Override	

SOLENOID OPERATED VALVES (Poppet 2-Way Normally-Open Cartridge Style)


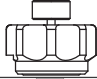
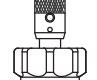


TECHNICAL DATA	
Max.Operating pressure:	350 bar
Rated flow:	150 l/min
Cavity-Tooling:	16W-2
Installation torque:	80-100 Nm
Weight:	0.35 kg
Fluids-Temperatures:	-40~120 °C
Internal Leakage:	0.15cc/minute (3 drops/minute) max.at 350 bar
Filtration:	25 µm nominal or better
Minimun Voltage Required:	90 % of nominal
Coils must be ordered separately	
Mounting Position:	unrestricted



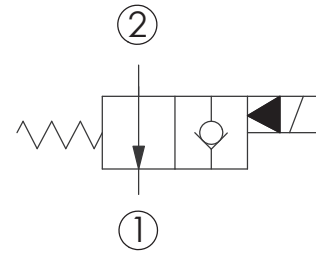
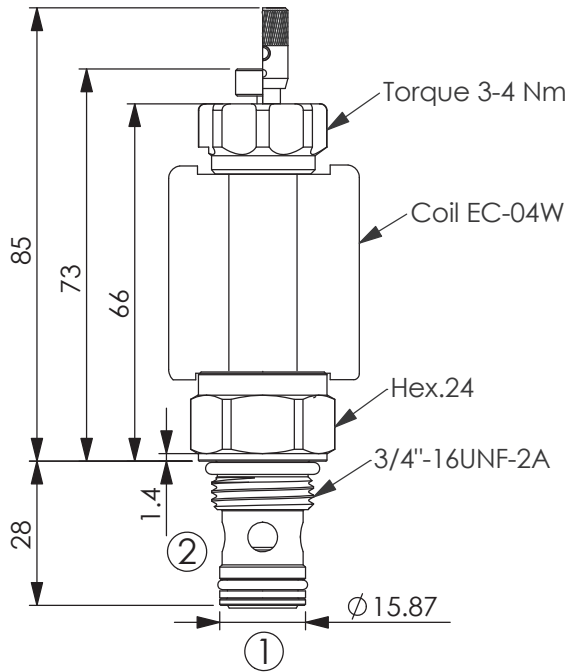
Y	OPERATION
02	Normally-Open No Reverse Flow De-energized

X	STRUCTURE
2A	2 Ports · 20 Watt. Coil

Z	OPTIONS
N	Non-adjustable 
P	Push Style Manual Override 
T	Push and Twist Style Manual Override 

SOLENOID OPERATED VALVES (Poppet 2-Way Normally-Open Cartridge Style)

Ordering Code: **EP-19E-X-Y-Z-05**



TECHNICAL DATA

Max. Operating pressure: 350 bar

Rated flow: 40 l/min

Cavity-Tooling: 19E-2

Installation torque: 39-51 Nm

Weight: 0.13 kg

Fluids-Temperatures: -40~120 °C

Internal Leakage: 0.15cc/minute
(3 drops/minute) max.at 350 bar

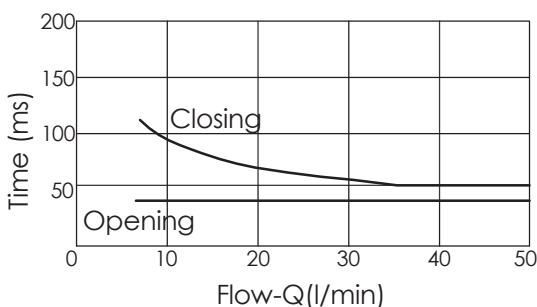
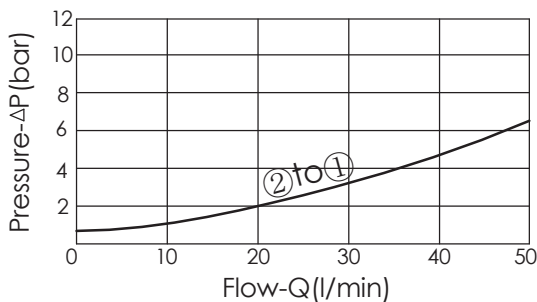
Filtration: 25 µm nominal or better

Minimum Voltage Required:
90 % of nominal

Coils must be ordered separately

Mounting Position: unrestricted

UNIT:mm



X STRUCTURE

2A 2 Ports - 20 Watt Coil

Z OPTIONS

N Non-adjustable



P Push Style
Manual Override



T Push and Twist Style
Manual Override

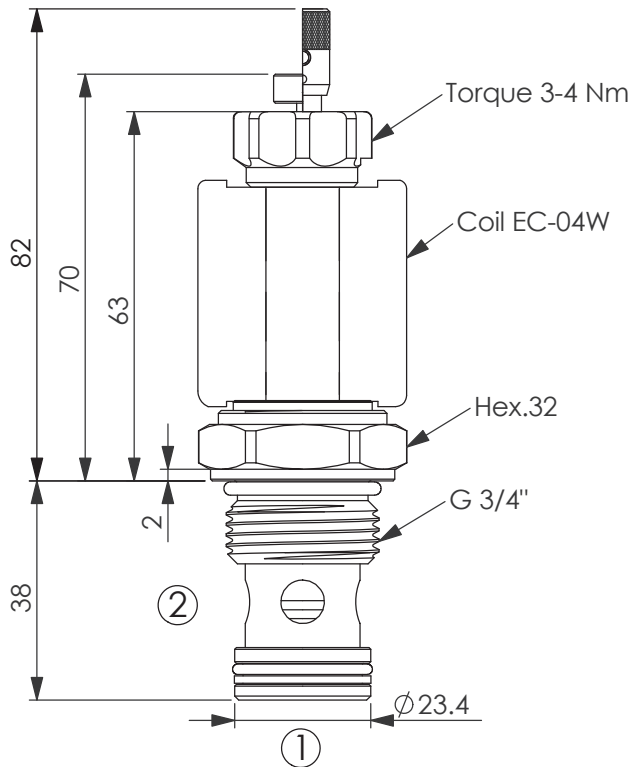


Y OPERATION

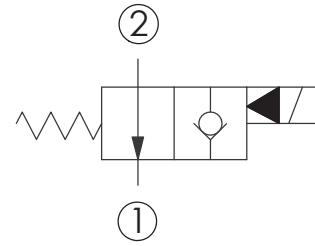
02 Normally-Open
No Reverse Flow De-energized

SOLENOID OPERATED VALVES (Poppet 2-Way Normally-Open Cartridge Style)

Ordering Code: **EP-17E-X-Y-Z-05**



UNIT:mm



TECHNICAL DATA

Max.Operating pressure: 350 bar

Rated flow: 70 l/min

Cavity-Tooling: 17E-2

Installation torque: 54-66 Nm

Weight: 0.22 kg

Fluids-Temperatures: -40~120 °C

Internal Leakage: 0.15cc/minute

(3 drops/minute) max.at 350 bar

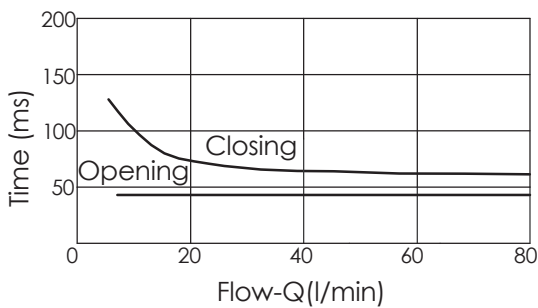
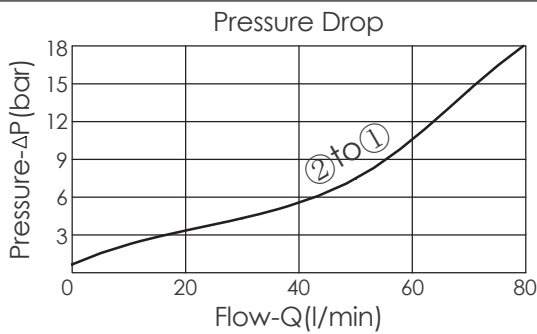
Filtration: 25 µm nominal or better

Minimum Voltage Required:

90 % of nominal

Coils must be ordered separately

Mounting Position: unrestricted



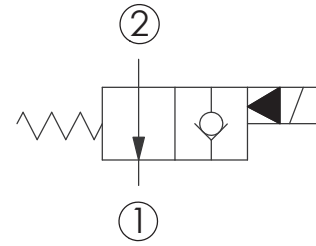
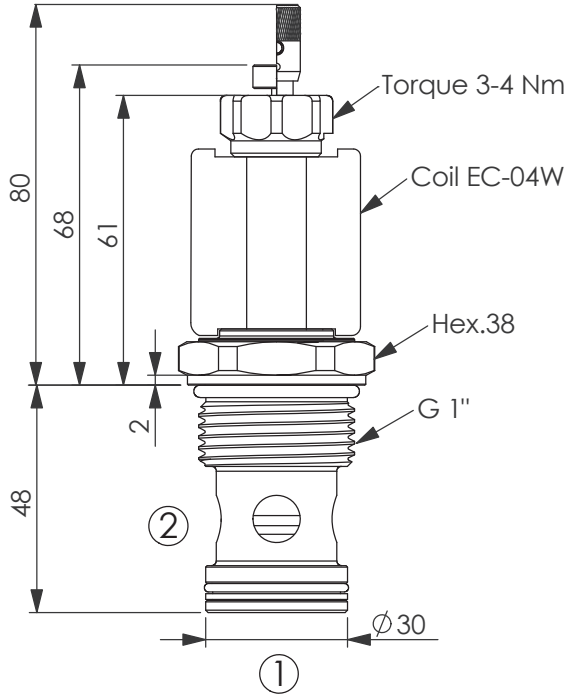
X	STRUCTURE	
2A	2 Ports · 20 Watt. Coil Ø 12.7 mm tube	

Y	OPERATION	
02	Normally-Open No Reverse Flow De-energized	

Z	OPTIONS	
N	Non-adjustable	
P	Push Style Manual Override	
T	Push and Twist Style Manual Override	

SOLENOID OPERATED VALVES (Poppet 2-Way Normally-Open Cartridge Style)

Ordering Code: **EP-21E-X-Y-Z-05**



TECHNICAL DATA

Max. Operating pressure: 350 bar

Rated flow: 150 l/min

Cavity-Tooling: 21E-2

Installation torque: 80-100 Nm

Weight: 0.35 kg

Fluids-Temperatures: -40~120 °C

Internal Leakage: 0.15cc/minute
(3 drops/minute) max.at 350 bar

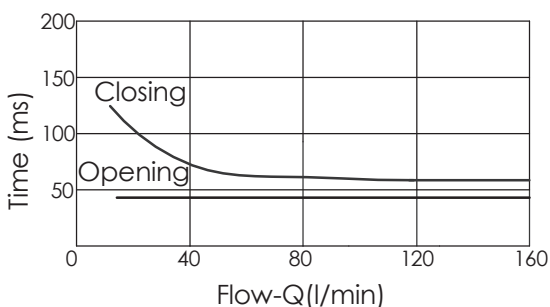
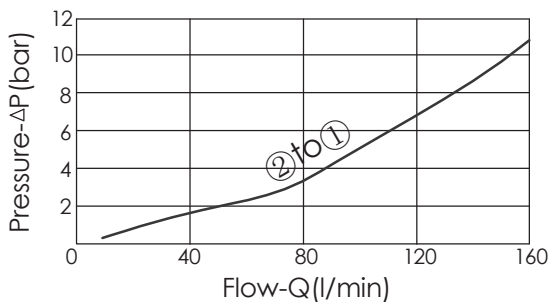
Filtration: 25 µm nominal or better

Minimum Voltage Required:
90 % of nominal

Coils must be ordered separately

Mounting Position: unrestricted

UNIT:mm



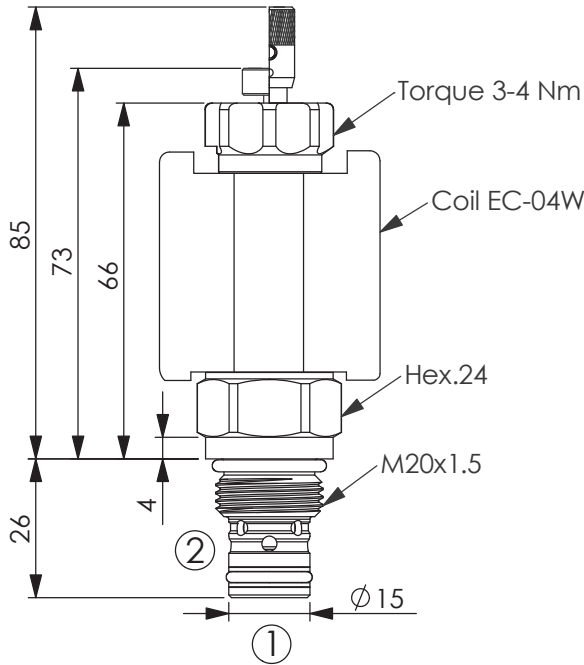
X	STRUCTURE	
2A	2 Ports - 20 Watt. Coil	

Y	OPERATION	
02	Normally-Open No Reverse Flow De-energized	

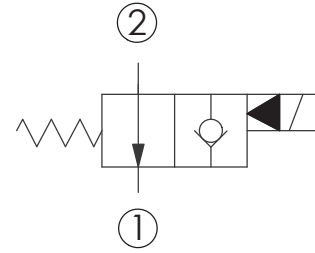
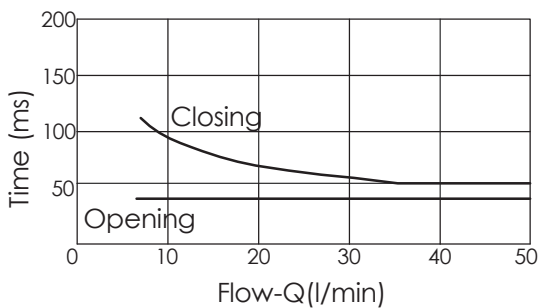
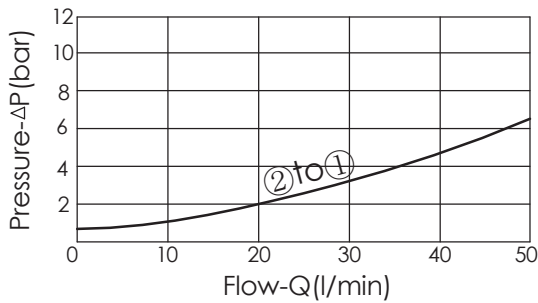
Z	OPTIONS	
N	Non-adjustable	
P	Push Style Manual Override	
T	Push and Twist Style Manual Override	

SOLENOID OPERATED VALVES (Poppet 2-Way Normally-Open Cartridge Style)

Ordering Code: **EP-20M-X-Y-Z-05**



UNIT:mm



TECHNICAL DATA

Max.Operating pressure: 350 bar

Rated flow: 40 l/min

Cavity-Tooling: 20M-2

Installation torque: 39-51 Nm

Weight: 0.13 kg

Fluids-Temperatures: -40~120 °C

Internal Leakage: 0.15cc/minute
(3 drops/minute) max.at 350 bar

Filtration: 25 μm nominal or better

Minimum Voltage Required:
90 % of nominal

Coils must be ordered separately

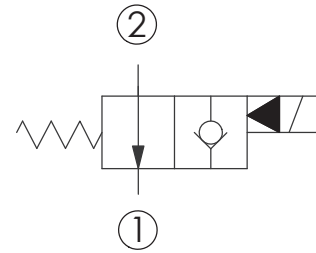
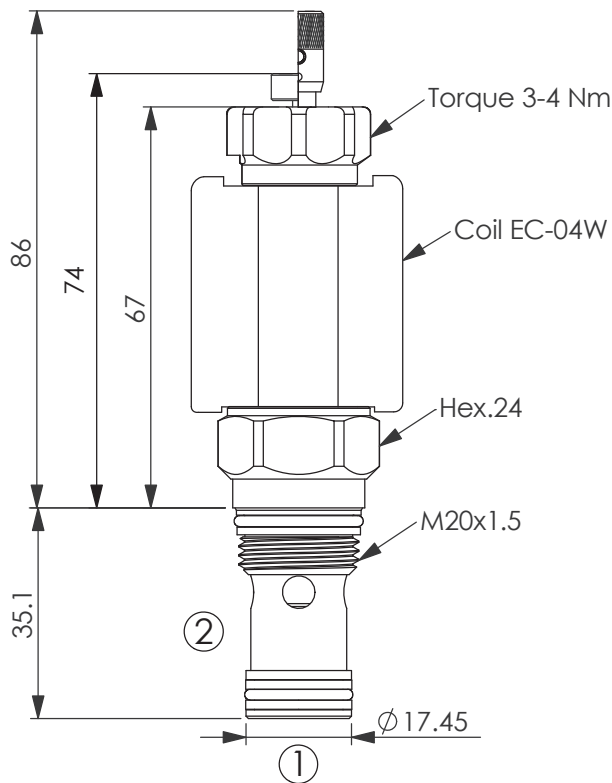
Mounting Position: unrestricted

X	STRUCTURE	
2A	2 Ports · 20 Watt. Coil	

Y	OPERATION	
02	Normally-Open No Reverse Flow De-energized	

Z	OPTIONS	
N	Non-adjustable	
P	Push Style Manual Override	
T	Push and Twist Style Manual Override	

Ordering Code: **EP-13A-X-Y-Z-05**



TECHNICAL DATA

Max. Operating pressure: 350 bar

Rated flow: 40 l/min

Cavity-Tooling: 13A-2

Installation torque: 39-51 Nm

Weight: 0.14 kg

Fluids-Temperatures: -40~120 °C

Internal Leakage: 0.15cc/minute
(3 drops/minute) max. at 350 bar

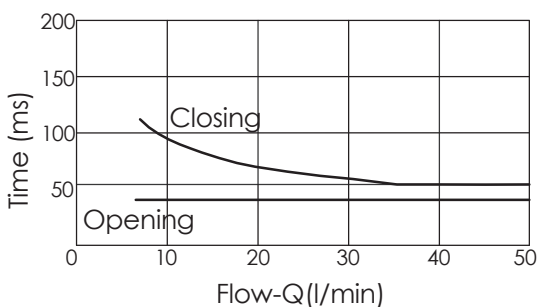
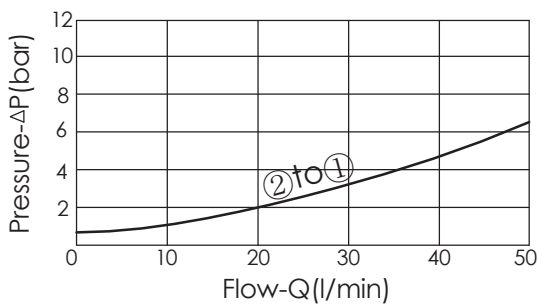
Filtration: 25 µm nominal or better

Minimum Voltage Required:
90 % of nominal

Coils must be ordered separately

Mounting Position: unrestricted

UNIT:mm



X	STRUCTURE	
2A	2 Ports - 20 Watt. Coil	

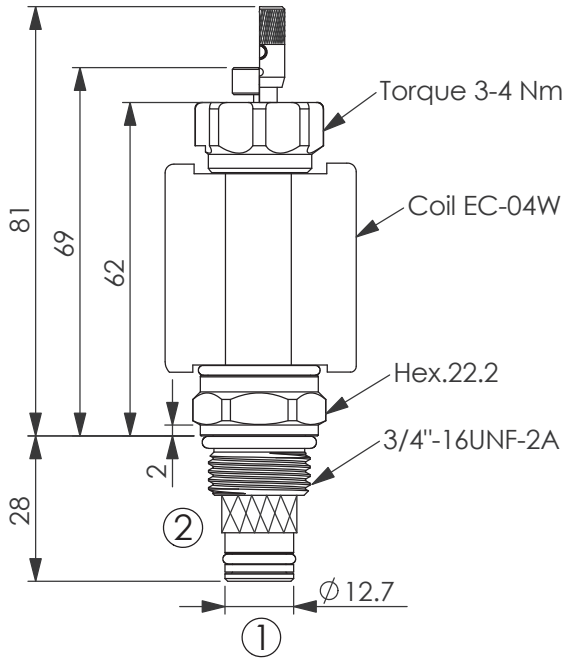
Y	OPERATION	
02	Normally-Open No Reverse Flow De-energized	

Z	OPTIONS	
N	Non-adjustable	
P	Push Style Manual Override	
T	Push and Twist Style Manual Override	

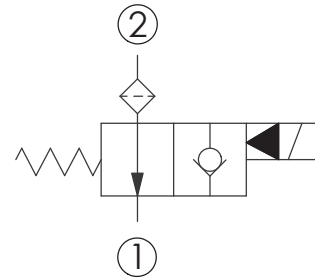
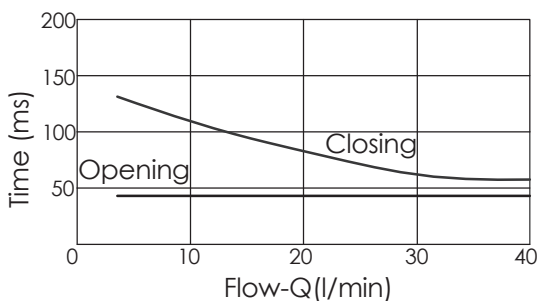
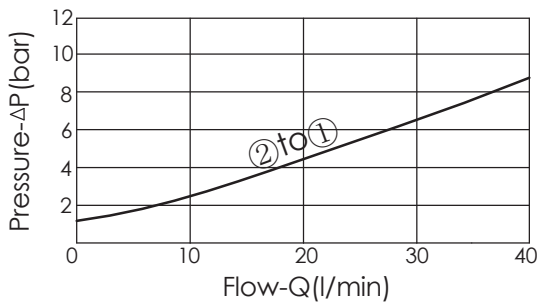
SOLENOID OPERATED VALVES

(Poppet 2-Way Normally-Open Cartridge Style With Filter)

Ordering Code: **EP-08W-X-Y-Z-04**



UNIT:mm



TECHNICAL DATA

Max.Operating pressure: 210 bar

Rated flow: 30 l/min

Cavity-Tooling: 08W-2

Installation torque: 39-51 Nm

Weight: 0.13 kg

Fluids-Temperatures: -40~120 °C

Internal Leakage: 0.15cc/minute

(3 drops/minute) max.at 210 bar

Filtration: 25 μm nominal or better

Minimum Voltage Required:



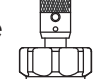
90 % of nominal

Coils must be ordered separately

Mounting Position: unrestricted

X	STRUCTURE
2A	2 Ports · 20 Watt. Coil

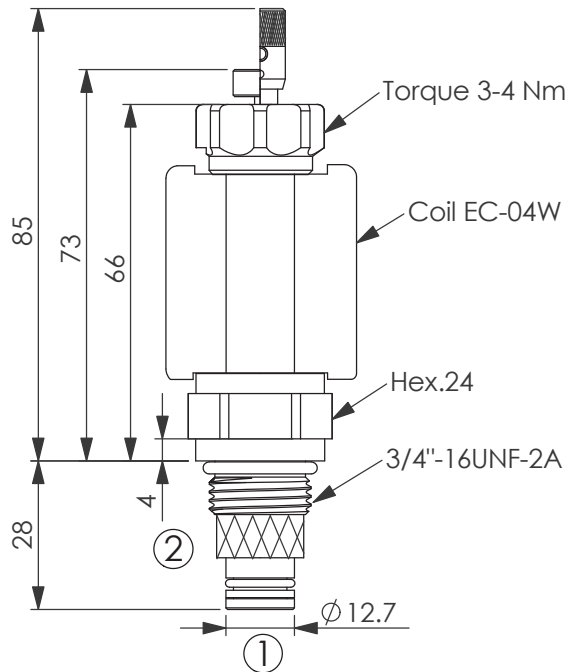
Y	OPERATION
08	Normally-Open With Filter No Reverse Flow De-energized

Z	OPTIONS
N	Non-adjustable 
P	Push Style Manual Override 
T	Push and Twist Style Manual Override 

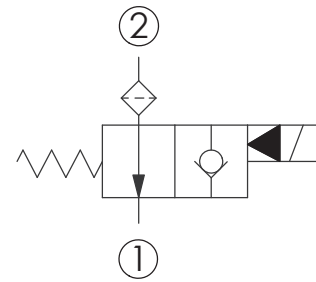
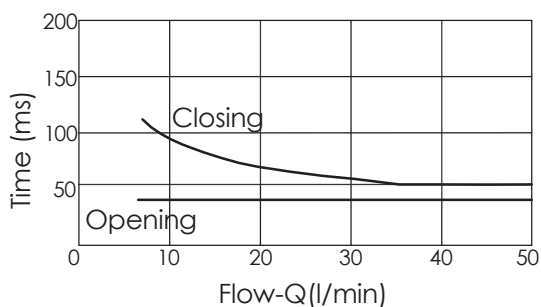
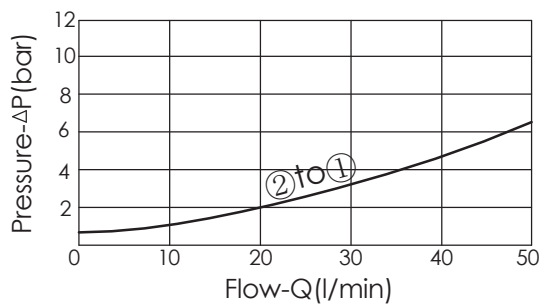
SOLENOID OPERATED VALVES

(Poppet 2-Way Normally-Open Cartridge Style With Filter)

Ordering Code: **EP-08W-X-Y-Z-05**



UNIT:mm



TECHNICAL DATA

Max.Operating pressure: 210 bar

Rated flow: 40 l/min

Cavity-Tooling: 08W-2

Installation torque: 39-51 Nm

Weight: 0.13 kg

Fluids-Temperatures: -40~120 °C

Internal Leakage: 0.15cc/minute

(3 drops/minute) max.at 210 bar

Filtration: 25 μm nominal or better

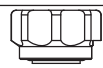
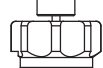

Minimum Voltage Required:

90 % of nominal

Coils must be ordered separately

Mounting Position: unrestricted

X	STRUCTURE
2A	2 Ports · 20 Watt. Coil

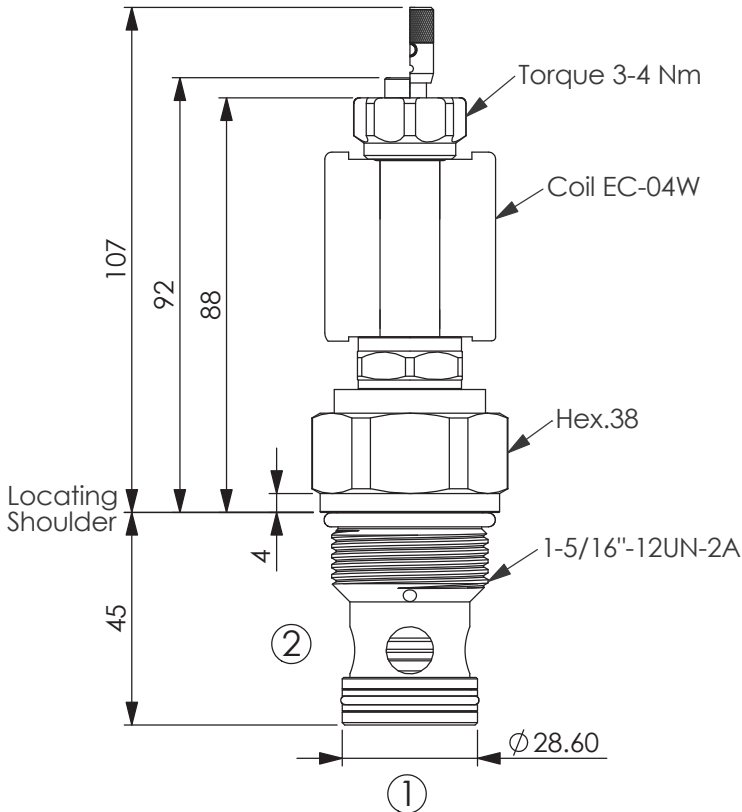
Z	OPTIONS
N	Non-adjustable 
P	Push Style Manual Override 
T	Push and Twist Style Manual Override 

Y	OPERATION
08	Normally-Open With Filter No Reverse Flow De-energized

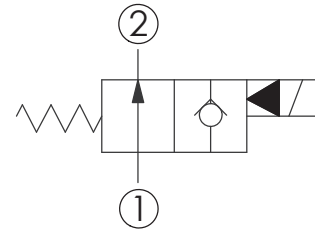
SOLENOID OPERATED VALVES

(High Flow Poppet 2-Way Normally-Open Cartridge Style)

Ordering Code: **EP-16W-X-Y-Z-95**



UNIT:mm



TECHNICAL DATA

Max.Operating pressure: 350 bar

Rated flow: 240 l/min

Cavity-Tooling: 16W-2

Installation torque: 80-100 Nm

Weight: 0.35 kg

Fluids-Temperatures: -40~120 °C

Internal Leakage: 0.15cc/minute

(3 drops/minute) max.at 350 bar

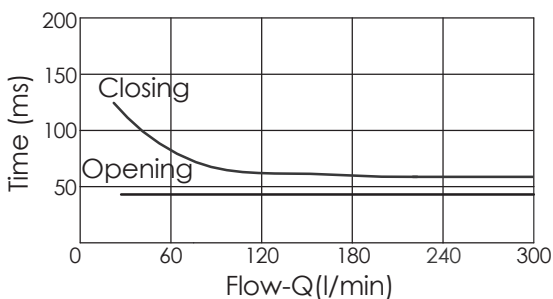
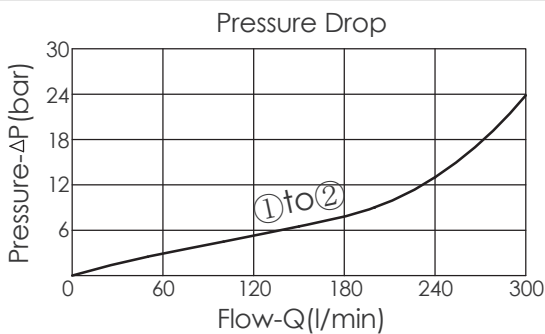
Filtration: 25 µm nominal or better

Minimum Voltage Required:

90 % of nominal

Coils must be ordered separately

Mounting Position: unrestricted



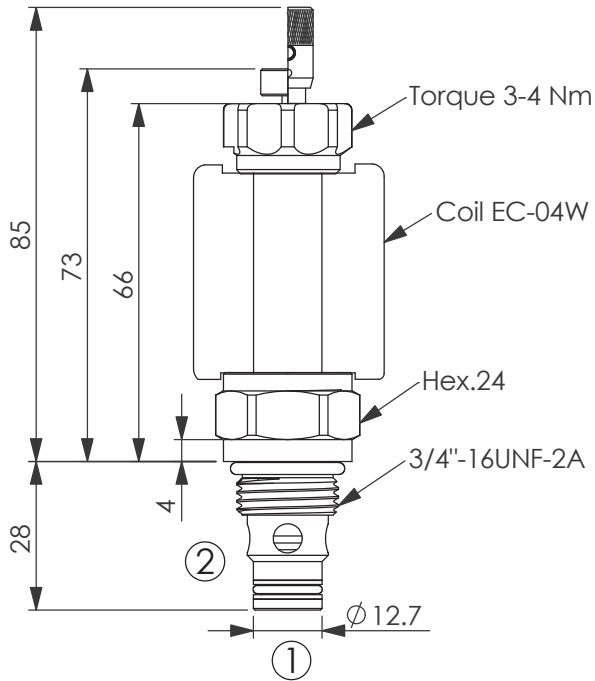
X	STRUCTURE	
2A	2 Ports · 20 Watt. Coil Ø 12.7 mm tube	

Y	OPERATION	
10	Normally-Open, No Reverse Flow De-energized, Nose-in, Side-out Operation	

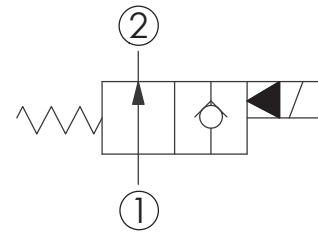
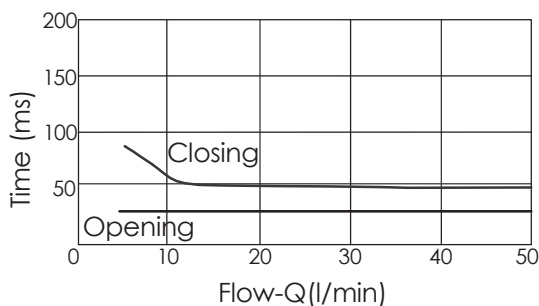
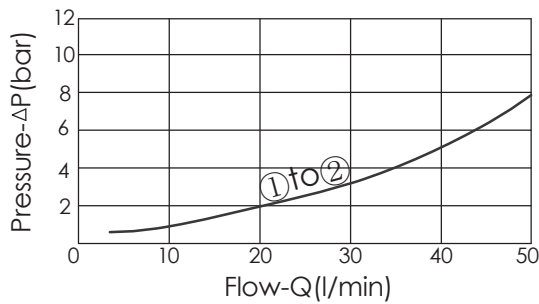
Z	OPTIONS	
N	Non-adjustable	
P	Push Style Manual Override	
T	Push and Twist Style Manual Override	

SOLENOID OPERATED VALVES (Poppet 2-Way Normally-Open Cartridge Style)

Ordering Code: **EP-08W-X-Y-Z-05**



UNIT:mm



TECHNICAL DATA

Max.Operating pressure: 350 bar

Rated flow: 40 l/min

Cavity-Tooling: 08W-2

Installation torque: 39-51 Nm

Weight: 0.13 kg

Fluids-Temperatures: -40~120 °C

Internal Leakage: 0.15cc/minute

(3 drops/minute) max.at 350 bar

Filtration: 25 μm nominal or better

Minimum Voltage Required:
90 % of nominal

Coils must be ordered separately

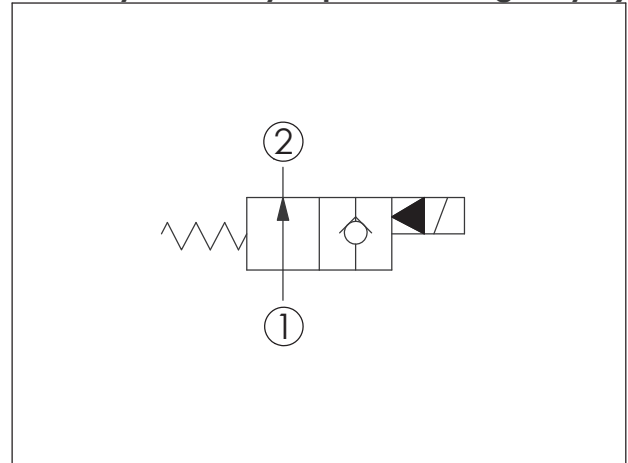
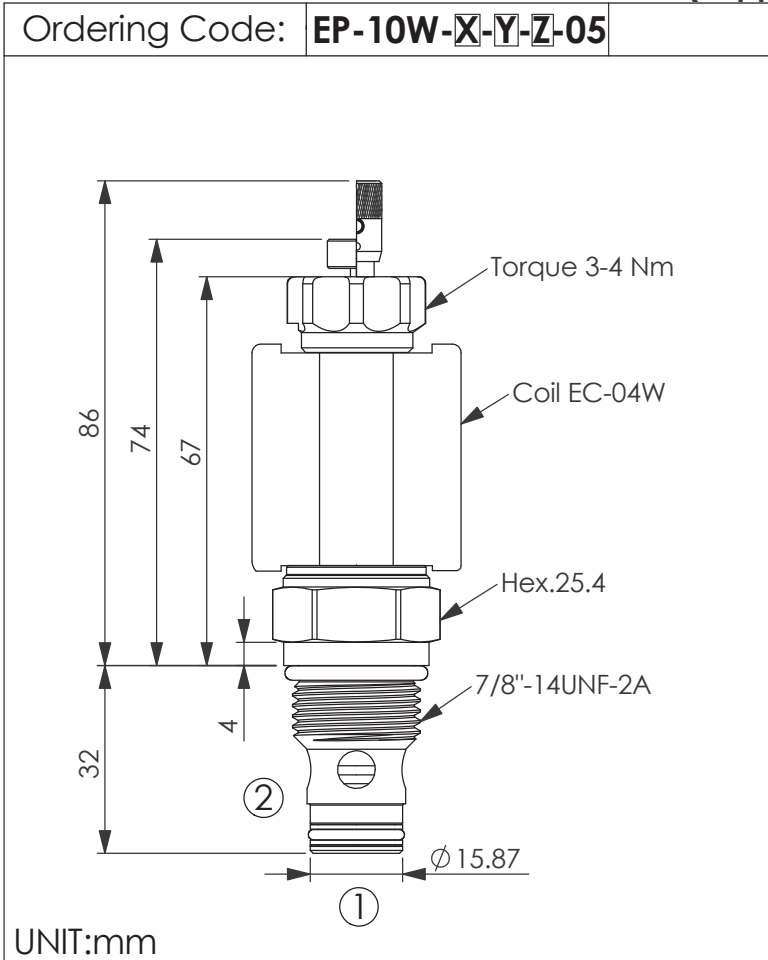
Mounting Position: unrestricted

X	STRUCTURE	
2A	2 Ports · 20 Watt. Coil	

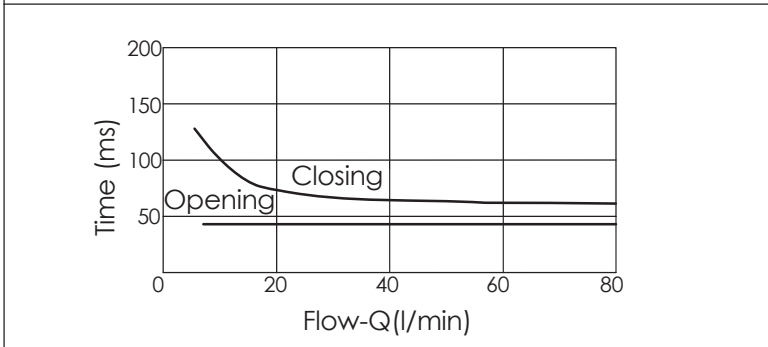
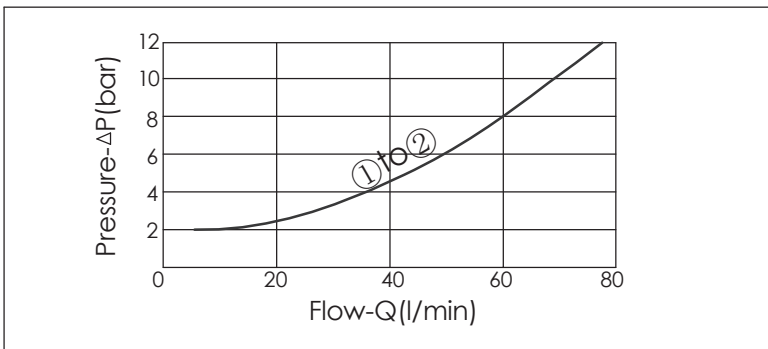
Z	OPTIONS	
N	Non-adjustable	
P	Push Style Manual Override	
T	Push and Twist Style Manual Override	

Y	OPERATION	
10	Normally-Open, No Reverse Flow De-energized, Nose-in, Side-out Operation	0

SOLENOID OPERATED VALVES (Poppet 2-Way Normally-Open Cartridge Style)


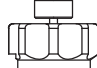



TECHNICAL DATA	
Max.Operating pressure:	350 bar
Rated flow:	70 l/min
Cavity-Tooling:	10W-2
Installation torque:	44-56 Nm
Weight:	0.16 kg
Fluids-Temperatures:	-40~120 °C
Internal Leakage:	0.15cc/minute (3 drops/minute) max.at 350 bar
Filtration:	25 µm nominal or better
Minimun Voltage Required:	90 % of nominal
Coils must be ordered separately	
Mounting Position:	unrestricted



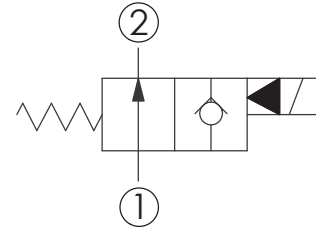
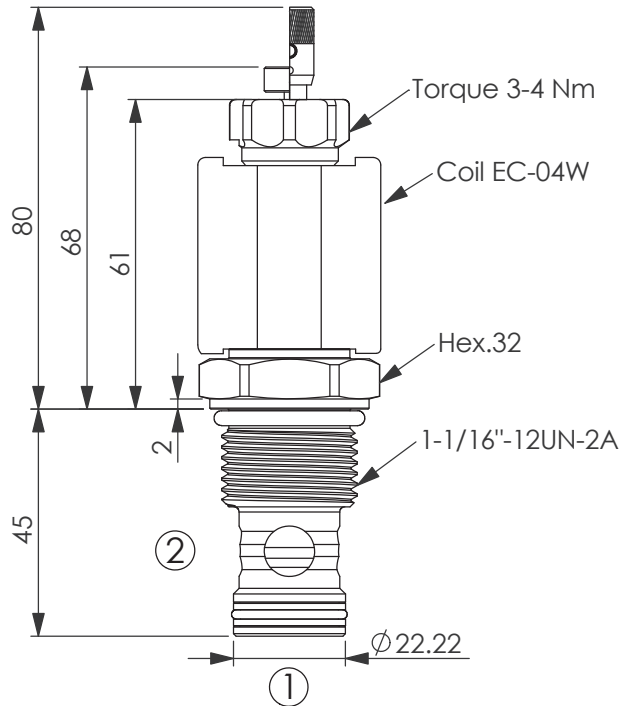
Y	OPERATION	
10	Normally-Open, No Reverse Flow De-energized, Nose-in, Side-out Operation	0

X	STRUCTURE
2A	2 Ports - 20 Watt. Coil

Z	OPTIONS
N	Non-adjustable 
P	Push Style Manual Override 
T	Push and Twist Style Manual Override 

SOLENOID OPERATED VALVES (Poppet 2-Way Normally-Open Cartridge Style)

Ordering Code: **EP-12W-X-Y-Z-05**



TECHNICAL DATA

Max. Operating pressure: 350 bar

Rated flow: 150 l/min

Cavity-Tooling: 12W-2

Installation torque: 54-66 Nm

Weight: 0.23 kg

Fluids-Temperatures: -40~120 °C

Internal Leakage: 0.15cc/minute
(3 drops/minute) max. at 350 bar

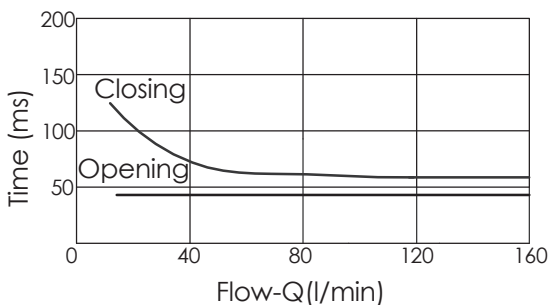
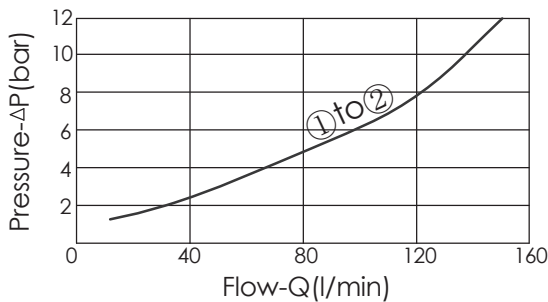
Filtration: 25 µm nominal or better

Minimum Voltage Required:
90 % of nominal

Coils must be ordered separately

Mounting Position: unrestricted

UNIT:mm

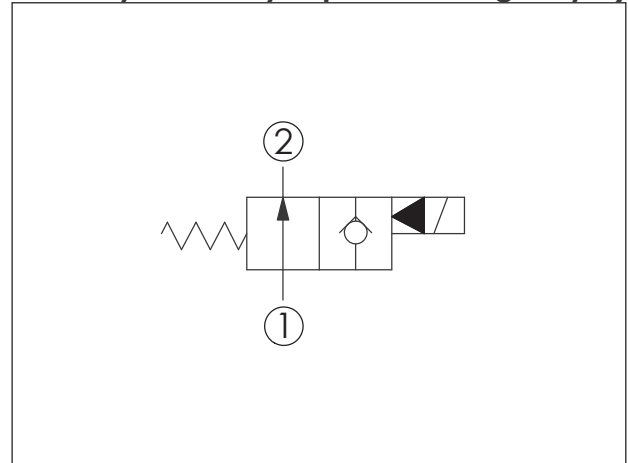
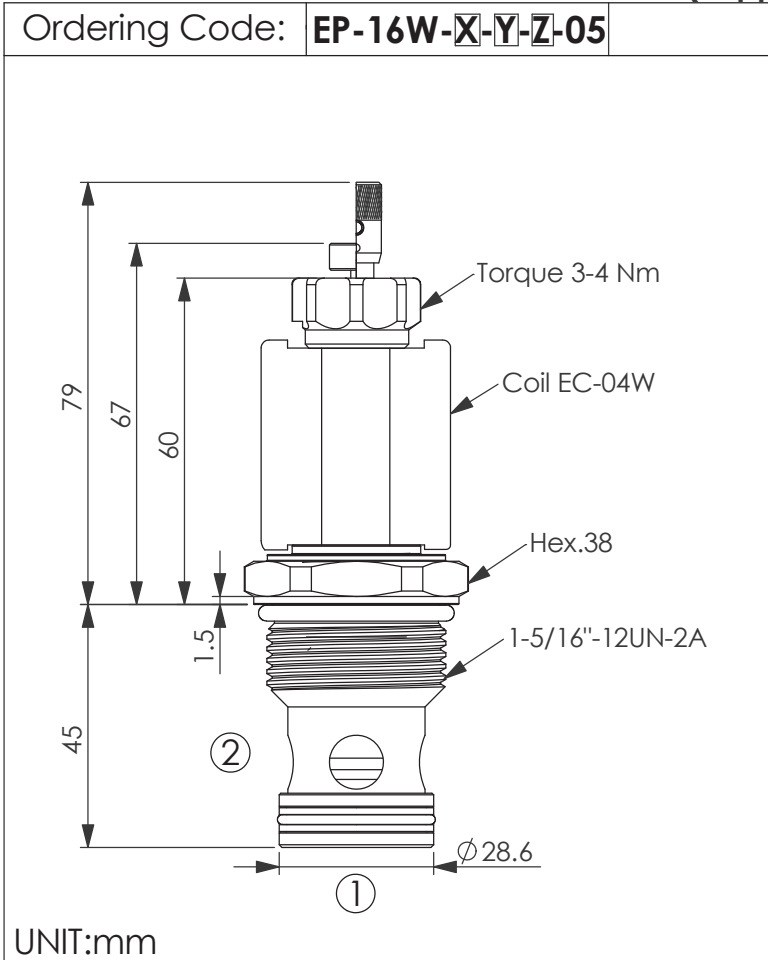


X	STRUCTURE	
2A	2 Ports · 20 Watt. Coil	

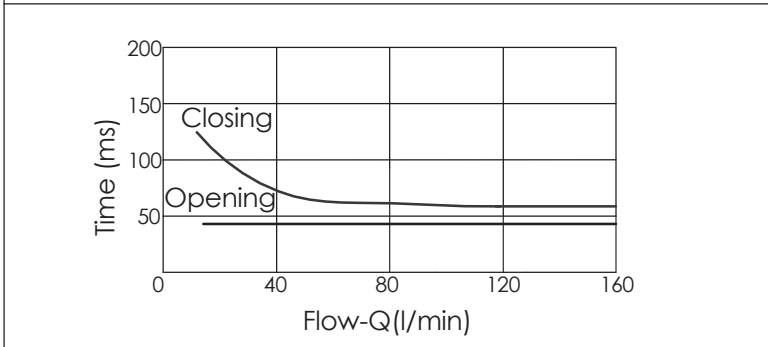
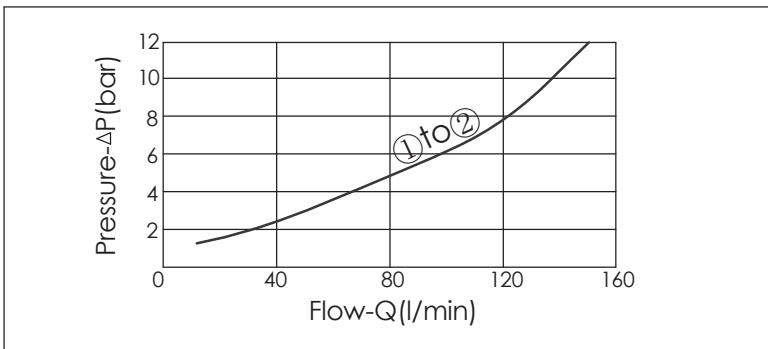
Y	OPERATION	
10	Normally-Open, No Reverse Flow De-energized, Nose-in, Side-out Operation	0

Z	OPTIONS	
N	Non-adjustable	
P	Push Style Manual Override	
T	Push and Twist Style Manual Override	

SOLENOID OPERATED VALVES (Poppet 2-Way Normally-Open Cartridge Style)



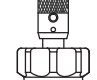


TECHNICAL DATA	
Max.Operating pressure:	350 bar
Rated flow:	150 l/min
Cavity-Tooling:	16W-2
Installation torque:	80-100 Nm
Weight:	0.35 kg
Fluids-Temperatures:	-40~120 °C
Internal Leakage:	0.15cc/minute (3 drops/minute) max.at 350 bar
Filtration:	25 µm nominal or better
Minimun Voltage Required:	90 % of nominal
Coils must be ordered separately	
Mounting Position:	unrestricted

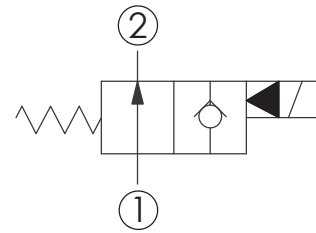
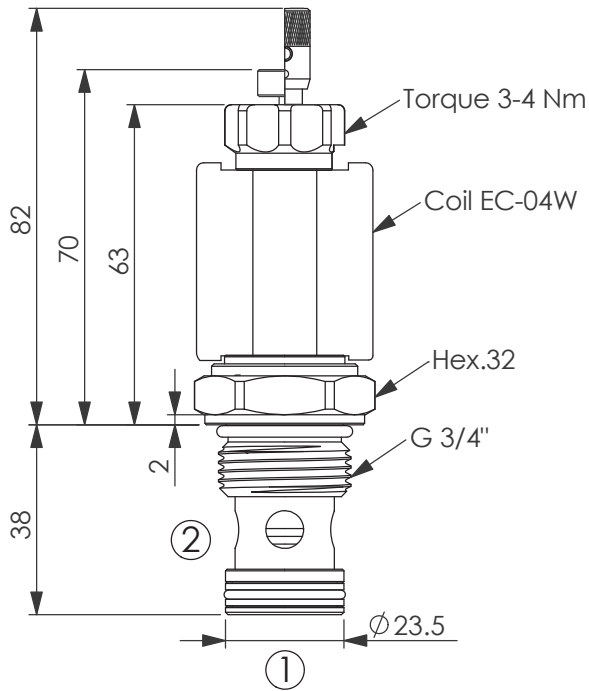


Y	OPERATION
10	Normally-Open, No Reverse Flow De-energized, Nose-in, Side-out Operation

X	STRUCTURE
2A	2 Ports - 20 Watt. Coil

Z	OPTIONS
N	Non-adjustable 
P	Push Style Manual Override 
T	Push and Twist Style Manual Override 

Ordering Code: **EP-17E-X-Y-Z-05**



TECHNICAL DATA

Max. Operating pressure: 350 bar

Rated flow: 70 l/min

Cavity-Tooling: 17E-2

Installation torque: 54-66 Nm

Weight: 0.22 kg

Fluids-Temperatures: -40~120 °C

Internal Leakage: 0.15cc/minute
(3 drops/minute) max.at 350 bar

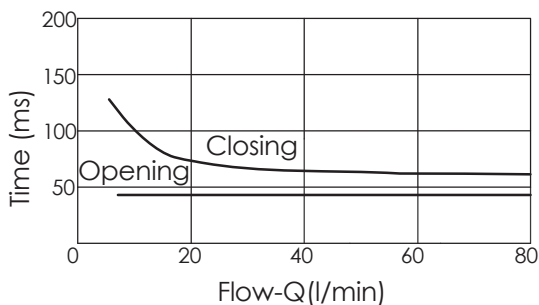
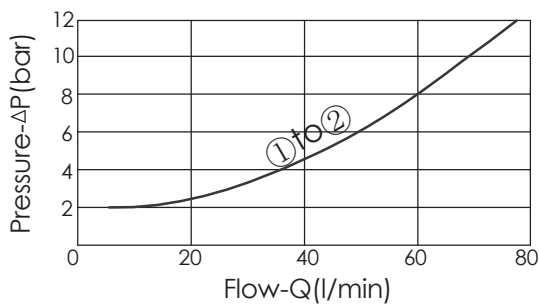
Filtration: 25 µm nominal or better

Minimum Voltage Required:
90 % of nominal

Coils must be ordered separately

Mounting Position: unrestricted

UNIT:mm



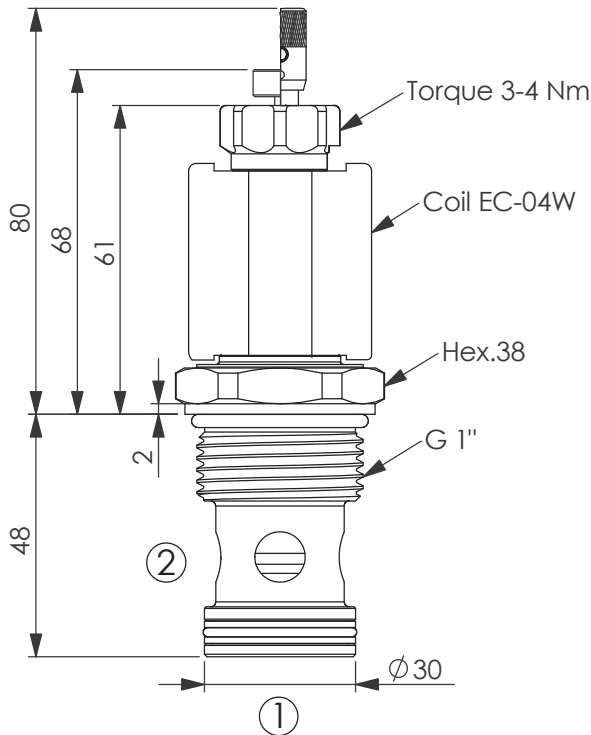
X	STRUCTURE	
2A	2 Ports · 20 Watt. Coil	

Y	OPERATION	
10	Normally-Open, No Reverse Flow De-energized, Nose-in, Side-out Operation	

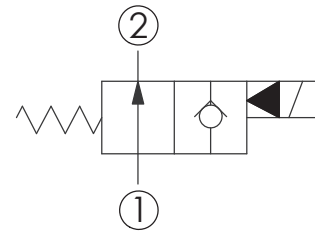
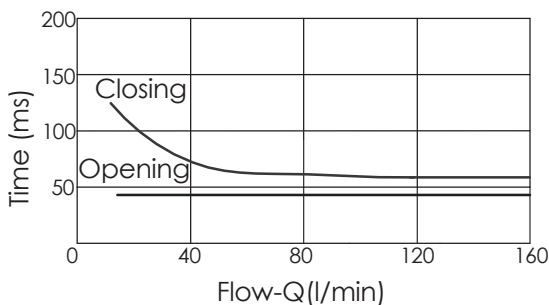
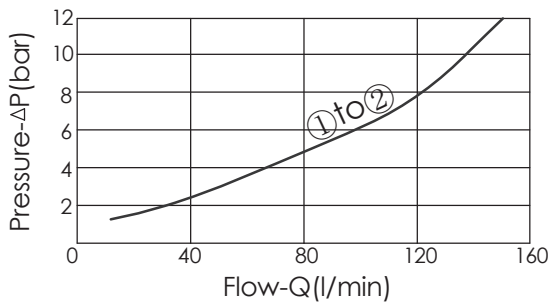
Z	OPTIONS	
N	Non-adjustable	
P	Push Style Manual Override	
T	Push and Twist Style Manual Override	

SOLENOID OPERATED VALVES (Poppet 2-Way Normally-Open Cartridge Style)

Ordering Code: **EP-21E-X-Y-Z-05**



UNIT:mm



TECHNICAL DATA

Max.Operating pressure: 350 bar

Rated flow: 150 l/min

Cavity-Tooling: 21E-2

Installation torque: 80-100 Nm

Weight: 0.35 kg

Fluids-Temperatures: -40~120 °C

Internal Leakage: 0.15cc/minute

(3 drops/minute) max.at 350 bar

Filtration: 25 μm nominal or better

Minimum Voltage Required:




90 % of nominal

Coils must be ordered separately

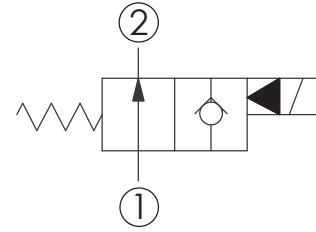
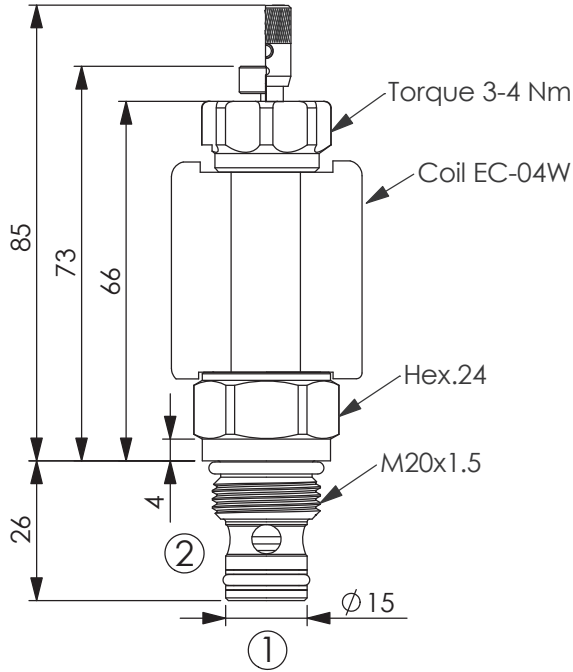
Mounting Position: unrestricted

X	STRUCTURE
2A	2 Ports - 20 Watt. Coil

Y	OPERATION
10	Normally-Open, No Reverse Flow De-energized, Nose-in, Side-out Operation

Z	OPTIONS
N	Non-adjustable 
P	Push Style Manual Override 
T	Push and Twist Style Manual Override 

Ordering Code: **EP-20M-X-Y-Z-05**



TECHNICAL DATA

Max. Operating pressure: 350 bar

Rated flow: 40 l/min

Cavity-Tooling: 20M-2

Installation torque: 39-51 Nm

Weight: 0.13 kg

Fluids-Temperatures: -40~120 °C

Internal Leakage: 0.15cc/minute
(3 drops/minute) max.at 350 bar

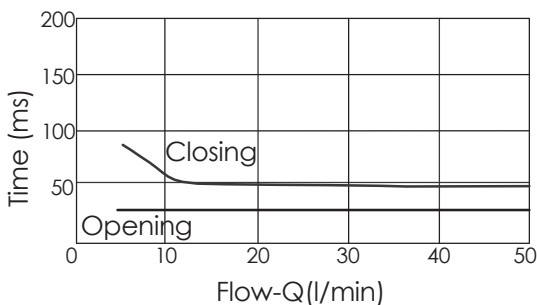
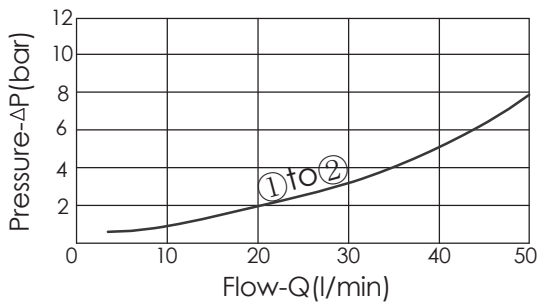
Filtration: 25 µm nominal or better

Minimum Voltage Required:
90 % of nominal

Coils must be ordered separately

Mounting Position: unrestricted

UNIT:mm

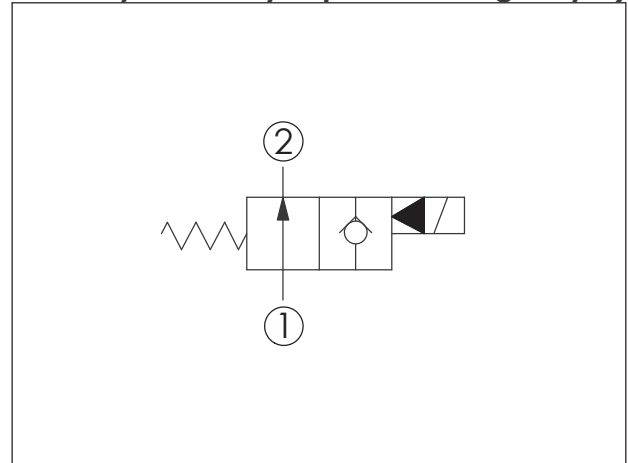
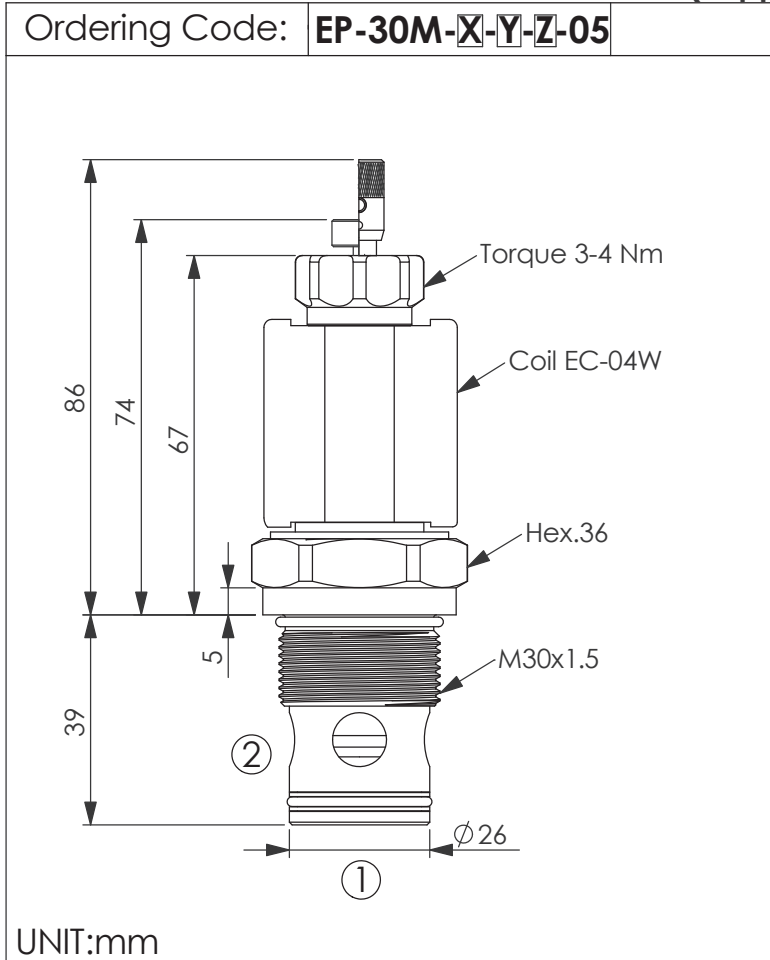


X	STRUCTURE	
2A	2 Ports · 20 Watt. Coil	

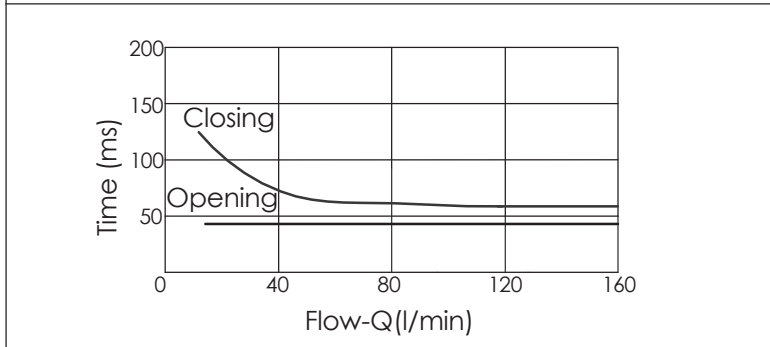
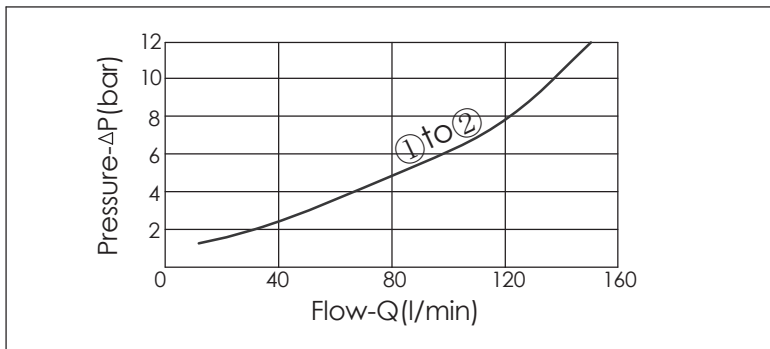
Y	OPERATION	
10	Normally-Open, No Reverse Flow De-energized, Nose-in, Side-out Operation	

Z	OPTIONS	
N	Non-adjustable	
P	Push Style Manual Override	
T	Push and Twist Style Manual Override	

SOLENOID OPERATED VALVES (Poppet 2-Way Normally-Open Cartridge Style)



TECHNICAL DATA	
Max.Operating pressure:	350 bar
Rated flow:	150 l/min
Cavity-Tooling:	30M-2
Installation torque:	80-100 Nm
Weight:	0.35 kg
Fluids-Temperatures:	-40~120 °C
Internal Leakage:	0.15cc/minute (3 drops/minute) max.at 350 bar
Filtration:	25 µm nominal or better
Minimun Voltage Required:	90 % of nominal
Coils must be ordered separately	
Mounting Position:	unrestricted



X	STRUCTURE	
2A	2 Ports	20 Watt. Coil

Y	OPERATION	
10	Normally-Open, No Reverse Flow	De-energized, Nose-in, Side-out Operation

Z	OPTIONS	
N	Non-adjustable	
P	Push Style Manual Override	
T	Push and Twist Style Manual Override	

CENTRALA ELBLĄG

Ul. Rawska 19B
82-300 Elbląg

tel. /+48/ 55 625 51 00

fax /+48/ 55 625 51 01

Dział Handlowy

tel. /+48/ 55 625 51 51

elblag@hydropress.pl



www.hydropress.pl

ODDZIAŁ GDAŃSK

tel. /+48/ 55 625 51 21

fax /+48/ 55 625 51 22

ODDZIAŁ RUMIA

tel. /+48/ 58 679 34 15

fax /+48/ 55 625 51 25

ODDZIAŁ TYCHY

tel. /+48/ 32 787 52 88

fax /+48/ 55 625 51 38

ODDZIAŁ OLSZTYN

tel. /+48/ 89 532 01 05

fax /+48/ 89 715 21 42

ODDZIAŁ WARSZAWA

tel. /+48/ 22 468 86 97

fax /+48/ 55 625 51 32

BIURO WE WROCŁAWIU

tel. /+48/ 782 838 000

fax /+48/ 55 625 51 35

BIURO W KIELCACH

tel. /+48/ 885 995 501

fax /+48/ 55 625 51 01

BIURO W KRAKOWIE

tel. /+48/ 885 995 019

fax /+48/ 55 625 51 01

BIURO W OPOLU

tel. /+48/ 885 995 011

fax /+48/ 55 625 51 01

BIURO W BYDGOSZCZY

tel. /+48/ 790 222 771

fax /+48/ 55 625 51 01

BIURO W BIAŁYMSTOKU

tel. /+48/ 89 532 01 05

fax /+48/ 89 715 21 42

BIURO W ŁODZI

tel. /+48/ 609 221 421

fax /+48/ 89 715 21 42