

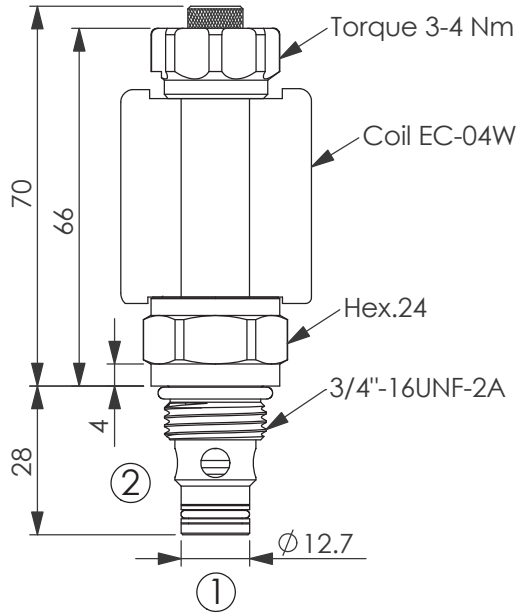


ZAWORY

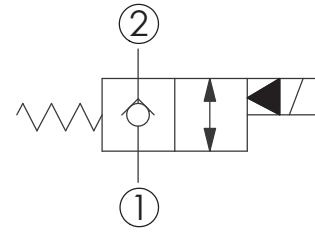
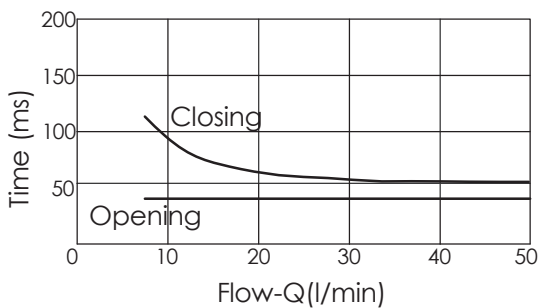
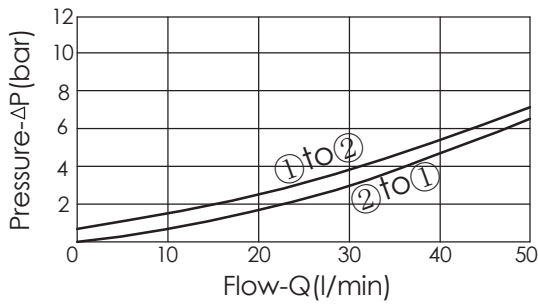
STEROWANE CEWKĄ
2-DROGOWE, DWUPOŁOŻENIOWE
DWUKIERUNKOWE, ZAMKNIĘTE

SOLENOID OPERATED VALVES (Poppet 2-Way Normally-Closed Cartridge Style)

Ordering Code: **EP-08W-X-Y-Z-05**



UNIT:mm



TECHNICAL DATA

Max.Operating pressure: 350 bar

Rated flow: 40 l/min

Cavity-Tooling: 08W-2

Installation torque: 39-51 Nm

Weight: 0.13 kg

Fluids-Temperatures: -40~120 °C

Internal Leakage: 0.15cc/minute
(3 drops/minute) max.at 350 bar

Filtration: 25 µm nominal or better

Minimum Voltage Required:
90 % of nominal

Coils must be ordered separately

Mounting Position: unrestricted

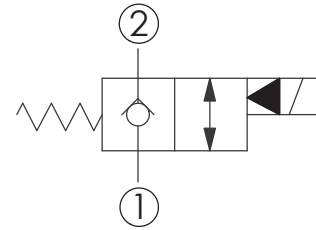
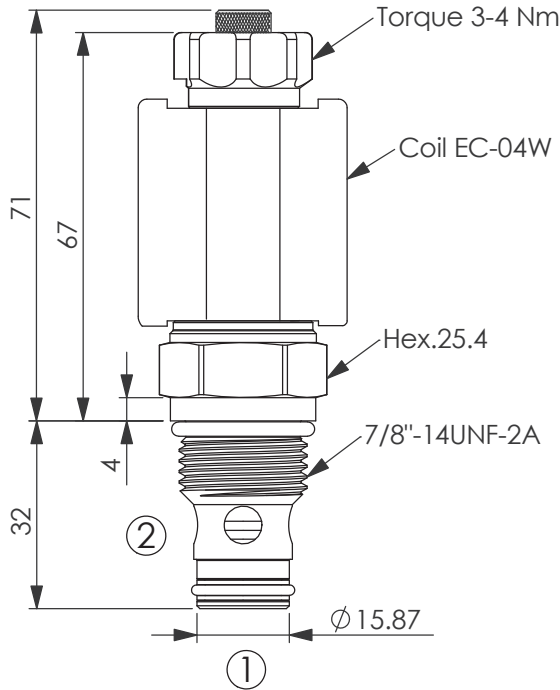
X	STRUCTURE	
2A	2 Ports · 20 Watt. Coil	

Y	OPERATION	
03	Normally-Closed,Reverse Flow Energized,Nose-in,Side-out Operation	

Z	OPTIONS	
N	Non-adjustable	
M	Screw-out Knob Style	

SOLENOID OPERATED VALVES (Poppet 2-Way Normally-Closed Cartridge Style)

Ordering Code: **EP-10W-X-Y-Z-05**



TECHNICAL DATA

Max. Operating pressure: 350 bar

Rated flow: 70 l/min

Cavity-Tooling: 10W-2

Installation torque: 44-56 Nm

Weight: 0.16 kg

Fluids-Temperatures: -40~120 °C

Internal Leakage: 0.15cc/minute
(3 drops/minute) max.at 350 bar

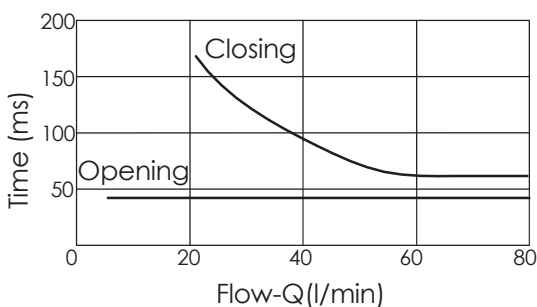
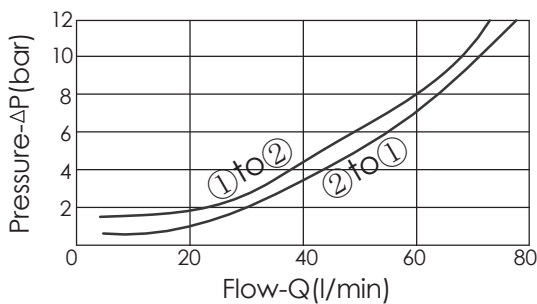
Filtration: 25 µm nominal or better

Minimum Voltage Required:
90 % of nominal

Coils must be ordered separately

Mounting Position: unrestricted

UNIT:mm



X STRUCTURE

2A 2 Ports · 20 Watt. Coil

Z OPTIONS

N Non-adjustable 

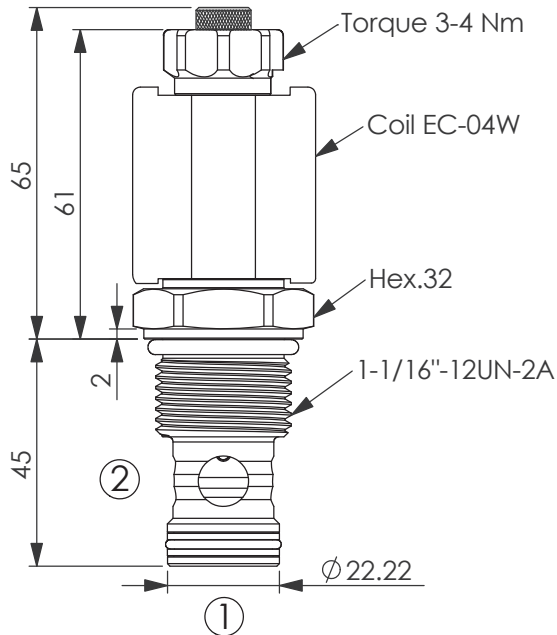
M Screw-out Knob Style 

Y OPERATION

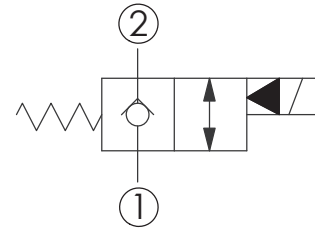
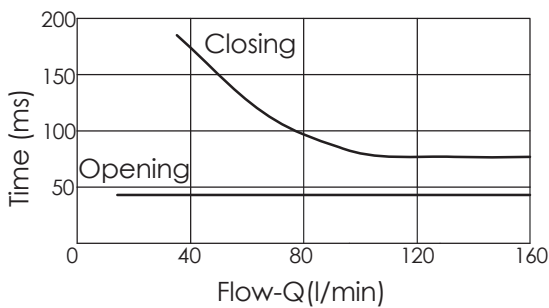
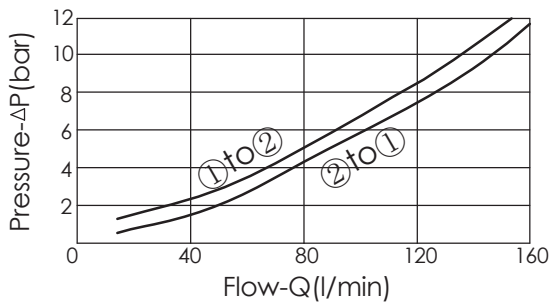
03 Normally-Closed, Reverse Flow Energized, Nose-in, Side-out Operation

SOLENOID OPERATED VALVES (Poppet 2-Way Normally-Closed Cartridge Style)

Ordering Code: **EP-12W-X-Y-Z-05**



UNIT:mm



TECHNICAL DATA

Max.Operating pressure: 350 bar

Rated flow: 150 l/min

Cavity-Tooling: 12W-2

Installation torque: 54-66 Nm

Weight: 0.23 kg

Fluids-Temperatures: -40~120 °C

Internal Leakage: 0.15cc/minute

(3 drops/minute) max.at 350 bar

Filtration: 25 μm nominal or better

Minimum Voltage Required:

90 % of nominal

Coils must be ordered separately

Mounting Position: unrestricted

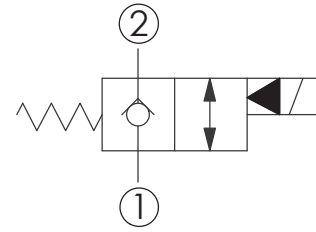
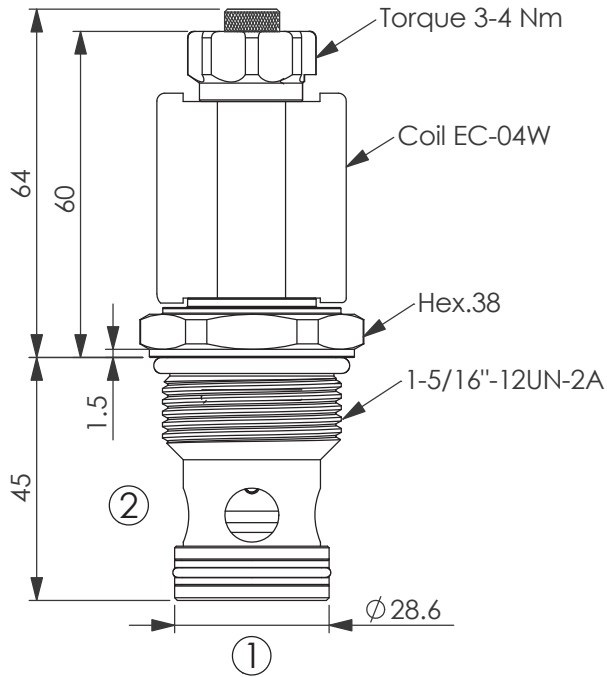
X	STRUCTURE	
2A	2 Ports · 20 Watt. Coil	

Y	OPERATION	
03	Normally-Closed,Reverse Flow Energized,Nose-in,Side-out Operation	

Z	OPTIONS	
N	Non-adjustable	
M	Screw-out Knob Style	

SOLENOID OPERATED VALVES (Poppet 2-Way Normally-Closed Cartridge Style)

Ordering Code: **EP-16W-X-Y-Z-05**



TECHNICAL DATA

Max. Operating pressure: 350 bar

Rated flow: 150 l/min

Cavity-Tooling: 16W-2

Installation torque: 80-100 Nm

Weight: 0.35 kg

Fluids-Temperatures: -40~120 °C

Internal Leakage: 0.15cc/minute
(3 drops/minute) max.at 350 bar

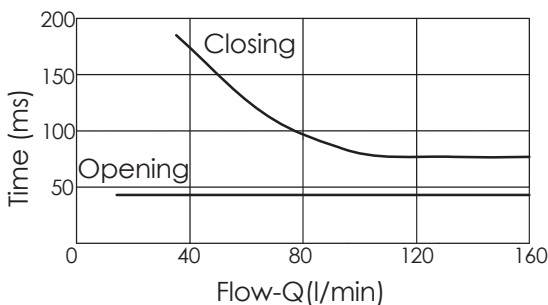
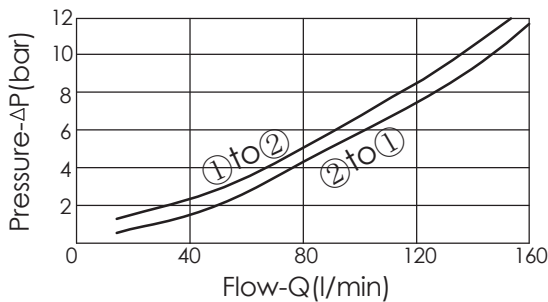
Filtration: 25 µm nominal or better

Minimum Voltage Required:
90 % of nominal

Coils must be ordered separately

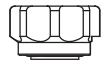
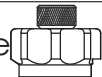
Mounting Position: unrestricted

UNIT:mm

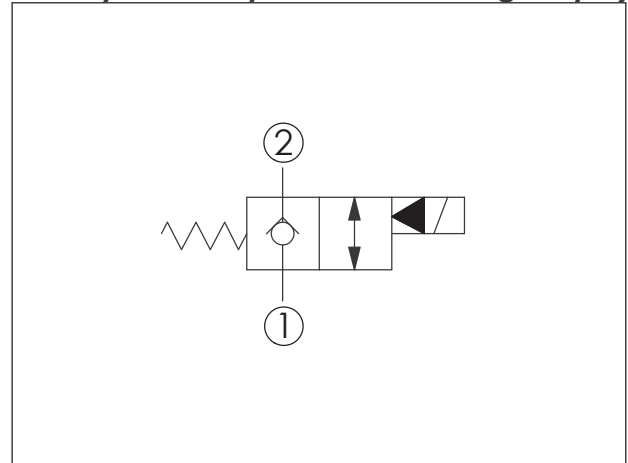
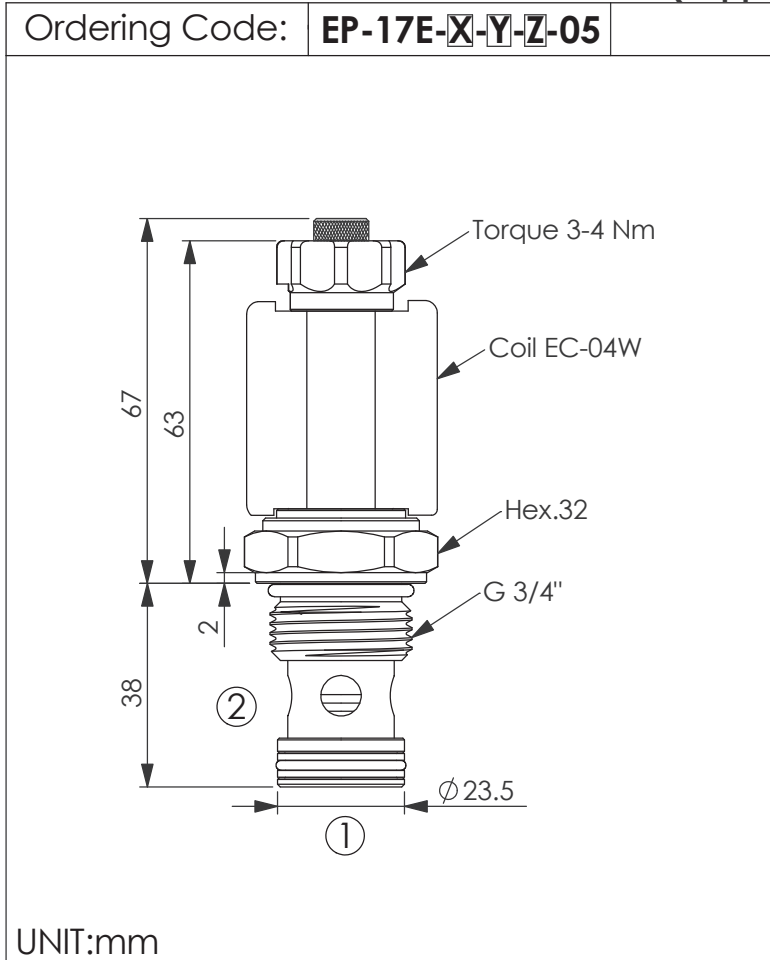


X	STRUCTURE
2A	2 Ports · 20 Watt. Coil

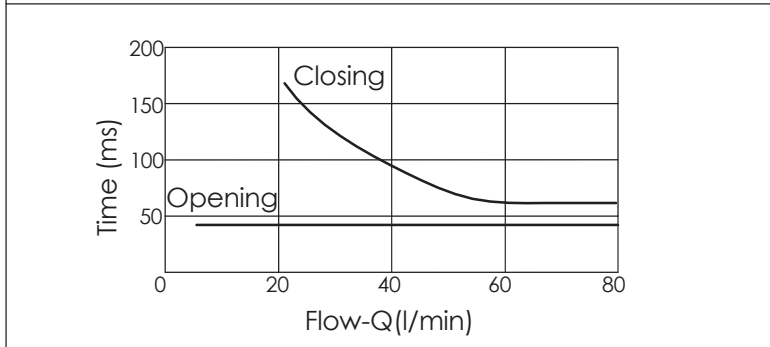
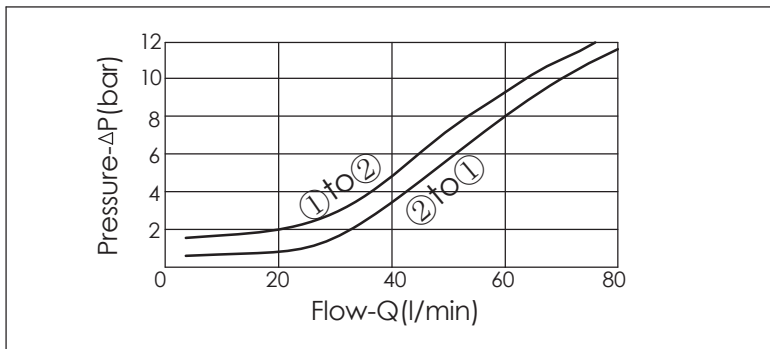
Y	OPERATION
03	Normally-Closed, Reverse Flow Energized, Nose-in, Side-out Operation

Z	OPTIONS
N	Non-adjustable 
M	Screw-out Knob Style 

SOLENOID OPERATED VALVES (Poppet 2-Way Normally-Closed Cartridge Style)



TECHNICAL DATA	
Max.Operating pressure:	350 bar
Rated flow:	70 l/min
Cavity-Tooling:	17E-2
Installation torque:	54-66 Nm
Weight:	0.22 kg
Fluids-Temperatures:	-40~120 °C
Internal Leakage:	0.15cc/minute (3 drops/minute) max.at 350 bar
Filtration:	25 µm nominal or better
Minimum Voltage Required:	90 % of nominal
Coils must be ordered separately	
Mounting Position:	unrestricted



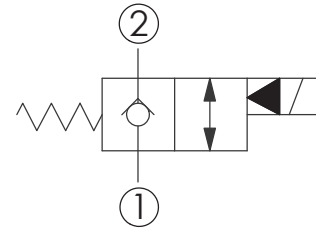
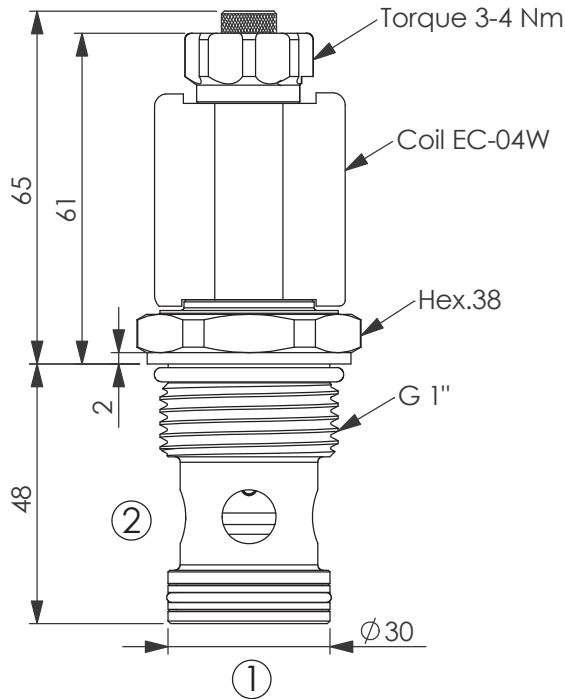
X	STRUCTURE	
2A	2 Ports · 20 Watt. Coil	

Y	OPERATION	
03	Normally-Closed,Reverse Flow Energized,Nose-in,Side-out Operation	

Z	OPTIONS	
N	Non-adjustable	
M	Screw-out Knob Style	

SOLENOID OPERATED VALVES (Poppet 2-Way Normally-Closed Cartridge Style)

Ordering Code: **EP-21E-X-Y-Z-05**



TECHNICAL DATA

Max. Operating pressure: 350 bar

Rated flow: 150 l/min

Cavity-Tooling: 21E-2

Installation torque: 80-100 Nm

Weight: 0.35 kg

Fluids-Temperatures: -40~120 °C

Internal Leakage: 0.15cc/minute
(3 drops/minute) max. at 350 bar

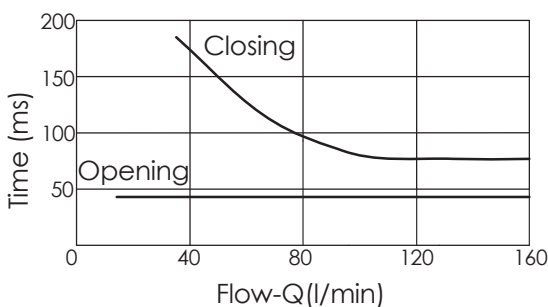
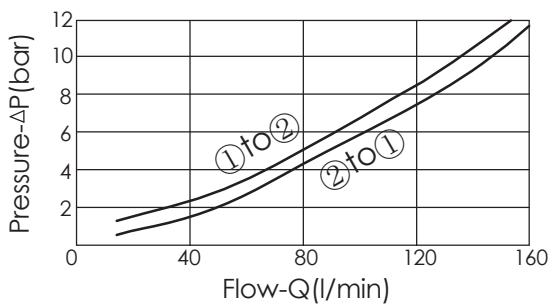
Filtration: 25 µm nominal or better

Minimum Voltage Required:
90 % of nominal

Coils must be ordered separately

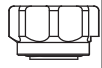
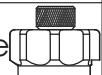
Mounting Position: unrestricted

UNIT:mm

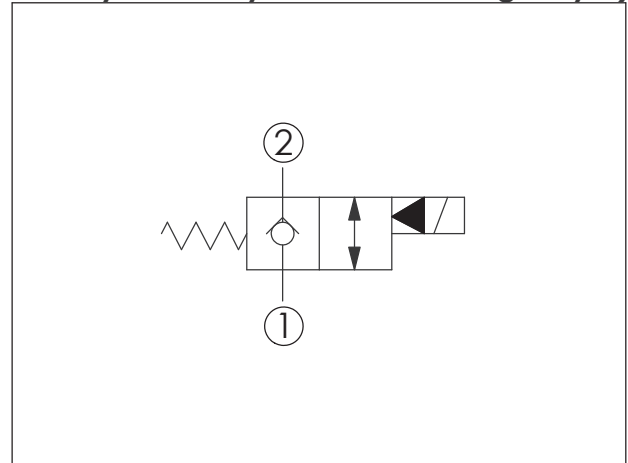
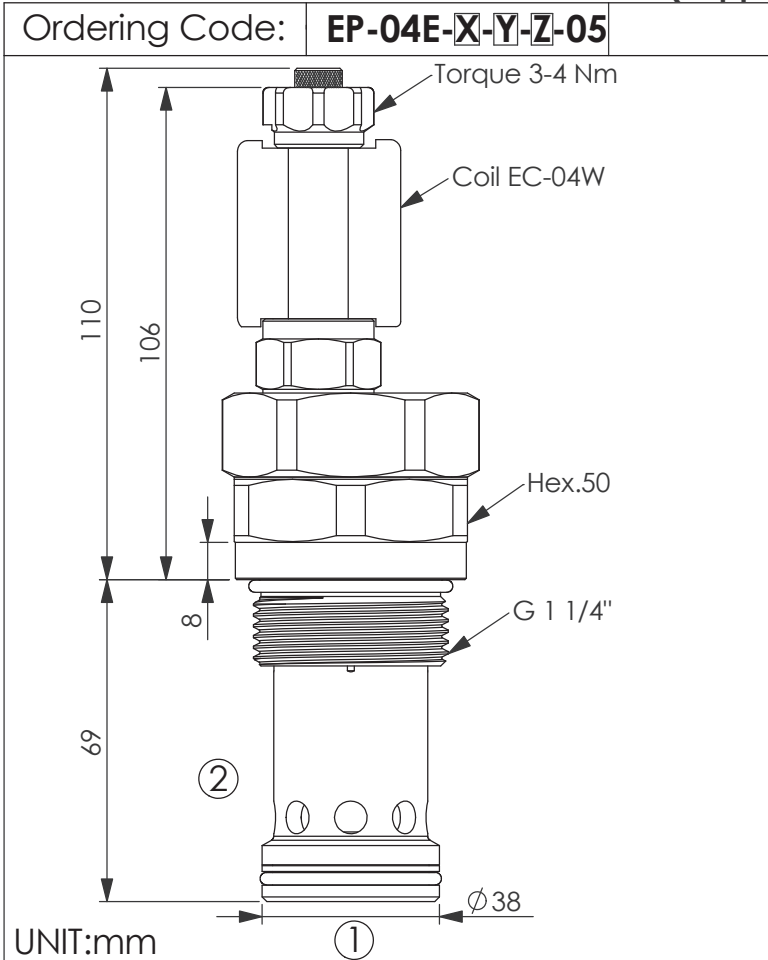


X	STRUCTURE
2A	2 Ports · 20 Watt. Coil

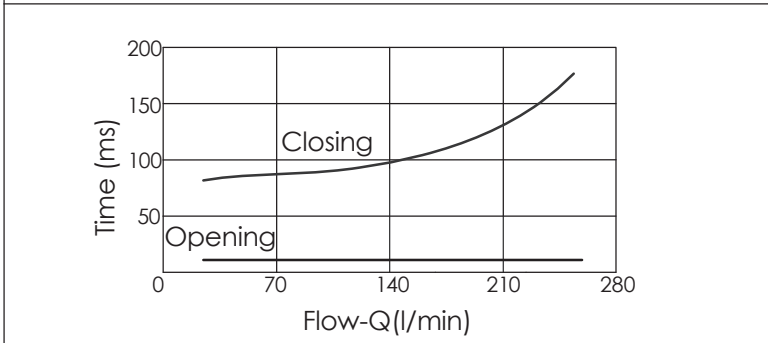
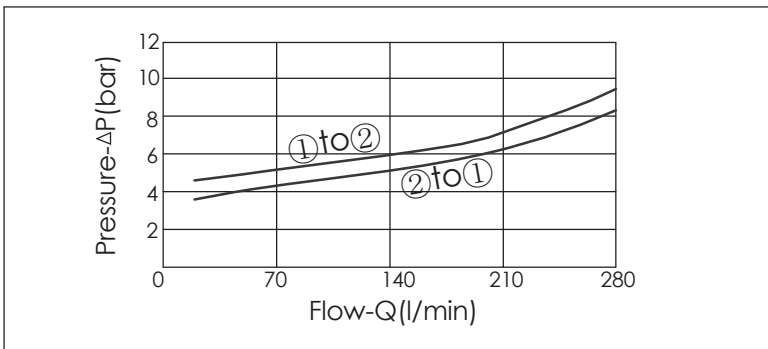
Y	OPERATION
03	Normally-Closed, Reverse Flow Energized, Nose-in, Side-out Operation

Z	OPTIONS
N	Non-adjustable 
M	Screw-out Knob Style 

SOLENOID OPERATED VALVES (Poppet 2-Way Normally-Closed Cartridge Style)

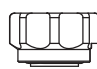
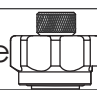


TECHNICAL DATA	
Max.Operating pressure:	350 bar
Rated flow:	260 l/min
Cavity-Tooling:	04E-2
Installation torque:	110-130 Nm
Weight:	1.13 kg
Fluids-Temperatures:	-40~120 °C
Internal Leakage:	0.15cc/minute (3 drops/minute) max.at 350 bar
Filtration:	25 µm nominal or better
Minimum Voltage Required:	90 % of nominal
Coils must be ordered separately	
Mounting Position:	unrestricted



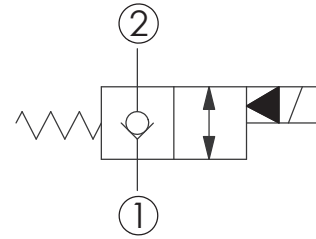
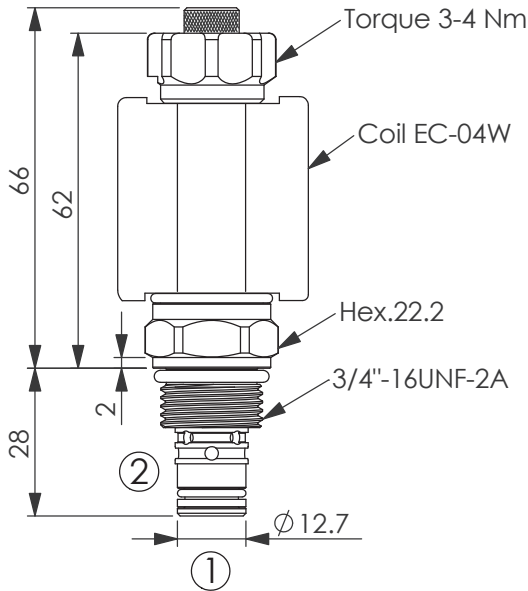
Y	OPERATION
03	Normally-Closed,Reverse Flow Energized,Nose-in,Side-out Operation

X	STRUCTURE
2A	2 Ports · 20 Watt. Coil

Z	OPTIONS
N	Non-adjustable 
M	Screw-out Knob Style 

SOLENOID OPERATED VALVES (Poppet 2-Way Normally-Closed Cartridge Style)

Ordering Code: **EP-08W-X-Y-Z-04**



TECHNICAL DATA

Max. Operating pressure: 350 bar

Rated flow: 30 l/min

Cavity-Tooling: 08W-2

Installation torque: 39-51 Nm

Weight: 0.13 kg

Fluids-Temperatures: -40~120 °C

Internal Leakage: 0.15cc/minute
(3 drops/minute) max.at 350 bar

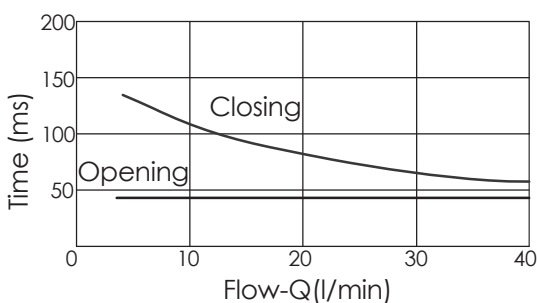
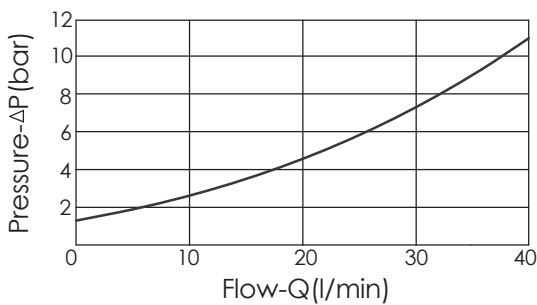
Filtration: 25 µm nominal or better

Minimum Voltage Required:
90 % of nominal

Coils must be ordered separately


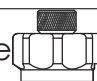
Mounting Position: unrestricted

UNIT:mm



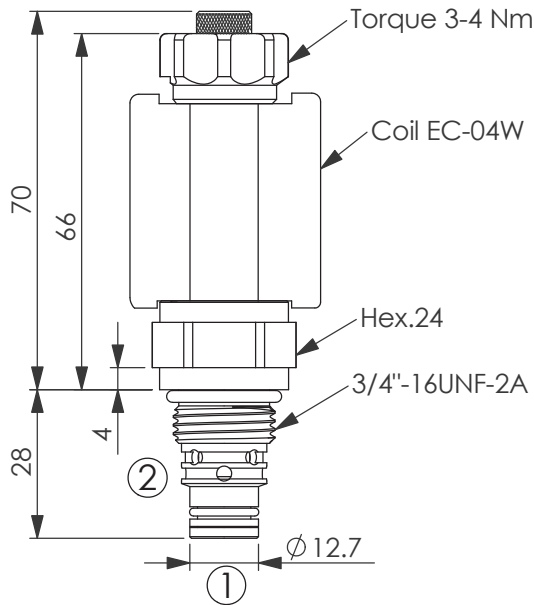
X	STRUCTURE
2A	2 Ports · 20 Watt. Coil

Y	OPERATION
05	Normally-Closed Reverse Flow Energized

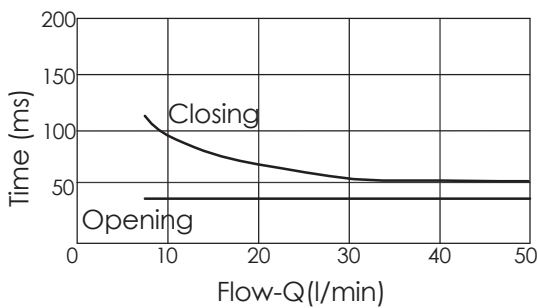
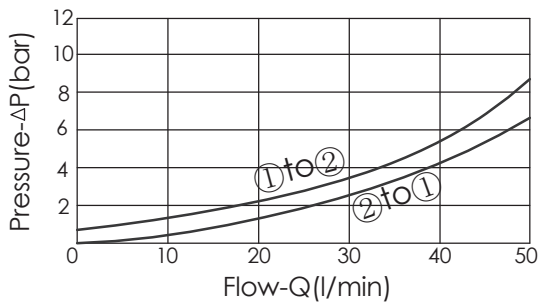
Z	OPTIONS
N	Non-adjustable 
M	Screw-out Knob Style 

SOLENOID OPERATED VALVES (Poppet 2-Way Normally-Closed Cartridge Style)

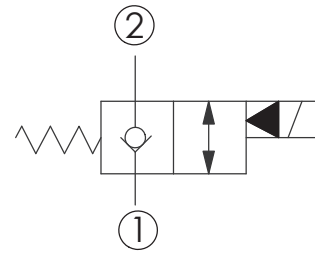
Ordering Code: **EP-08W-X-Y-Z-05**



UNIT:mm



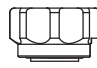
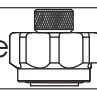
Y	OPERATION
05	Normally-Closed Reverse Flow Energized



TECHNICAL DATA

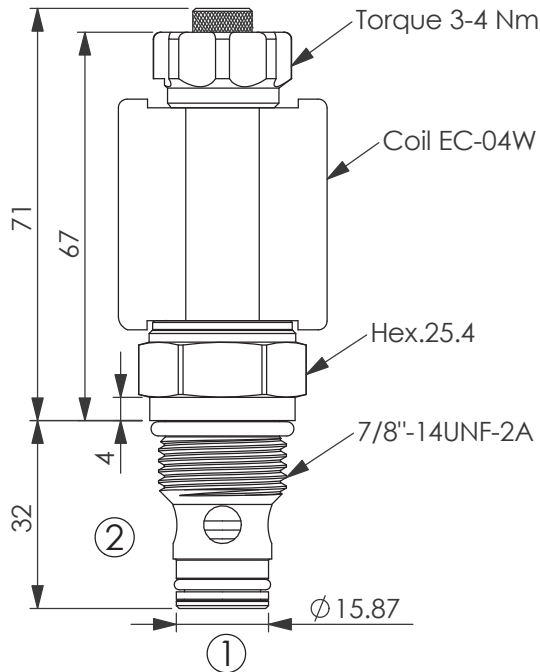
Max.Operating pressure:	350	bar
Rated flow:	40	l/min
Cavity-Tooling:	08W-2	
Installation torque:	39-51	Nm
Weight:	0.13	kg
Fluids-Temperatures:	-40~120	°C
Internal Leakage:	0.15cc/minute	
	(3 drops/minute) max.at 350 bar	
Filtration:	25 µm nominal or better	
Minimum Voltage Required:	90 % of nominal	
Coils must be ordered separately		
Mounting Position:	unrestricted	

X	STRUCTURE
2A	2 Ports - 20 Watt. Coil

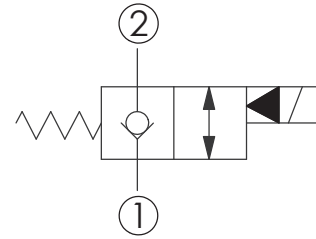
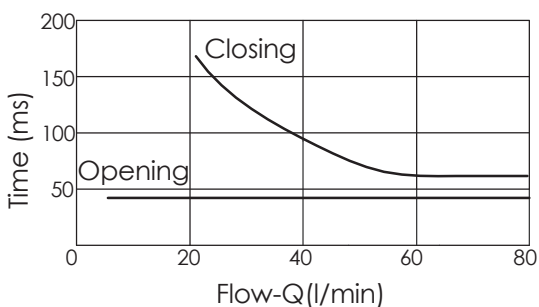
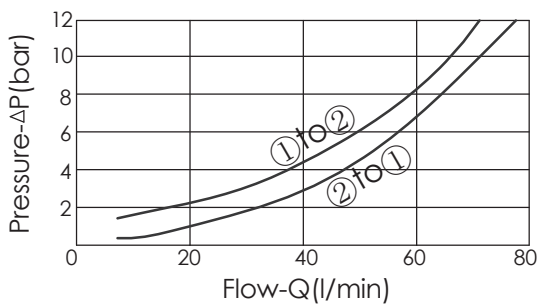
Z	OPTIONS
N	Non-adjustable 
M	Screw-out Knob Style 

SOLENOID OPERATED VALVES (Poppet 2-Way Normally-Closed Cartridge Style)

Ordering Code: **EP-10W-X-Y-Z-05**



UNIT:mm



TECHNICAL DATA

Max.Operating pressure: 350 bar

Rated flow: 70 l/min

Cavity-Tooling: 10W-2

Installation torque: 44-56 Nm

Weight: 0.16 kg

Fluids-Temperatures: -40~120 °C

Internal Leakage: 0.15cc/minute

(3 drops/minute) max.at 350 bar

Filtration: 25 μm nominal or better

Minimum Voltage Required:

90 % of nominal

Coils must be ordered separately

Mounting Position: unrestricted

X STRUCTURE

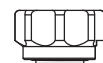
2A 2 Ports - 20 Watt. Coil

Y OPERATION

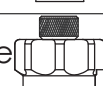
05 Normally-Closed
Reverse Flow Energized

Z OPTIONS

N Non-adjustable

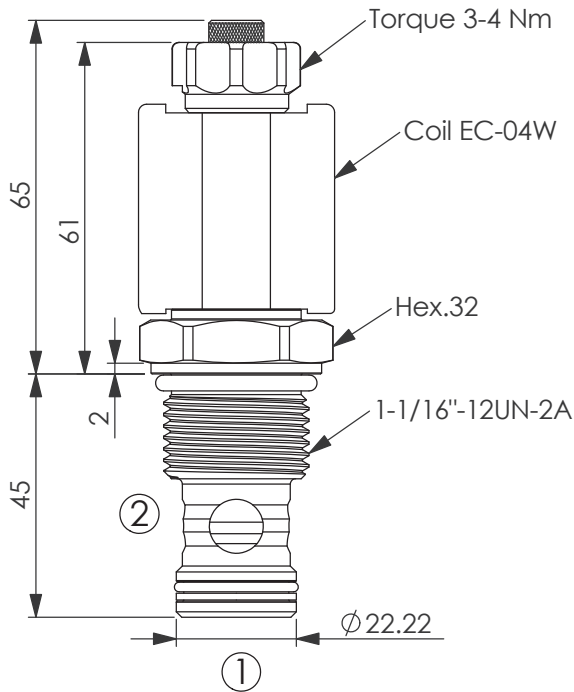


M Screw-out Knob Style

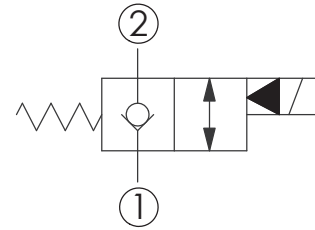
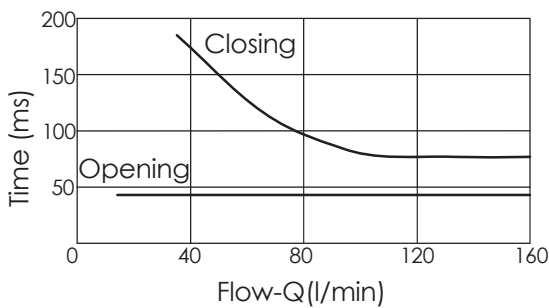
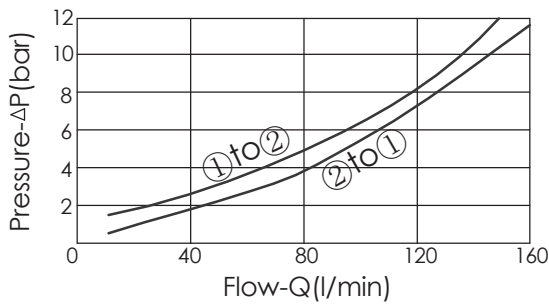


SOLENOID OPERATED VALVES (Poppet 2-Way Normally-Closed Cartridge Style)

Ordering Code: **EP-12W-X-Y-Z-05**



UNIT:mm



TECHNICAL DATA

Max.Operating pressure: 350 bar

Rated flow: 150 l/min

Cavity-Tooling: 12W-2

Installation torque: 54-66 Nm

Weight: 0.23 kg

Fluids-Temperatures: -40~120 °C

Internal Leakage: 0.15cc/minute

(3 drops/minute) max.at 350 bar

Filtration: 25 μm nominal or better

Minimum Voltage Required:

90 % of nominal

Coils must be ordered separately

Mounting Position: unrestricted

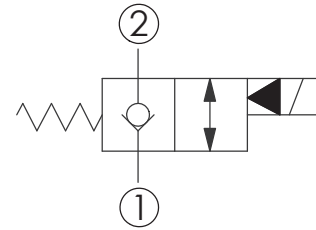
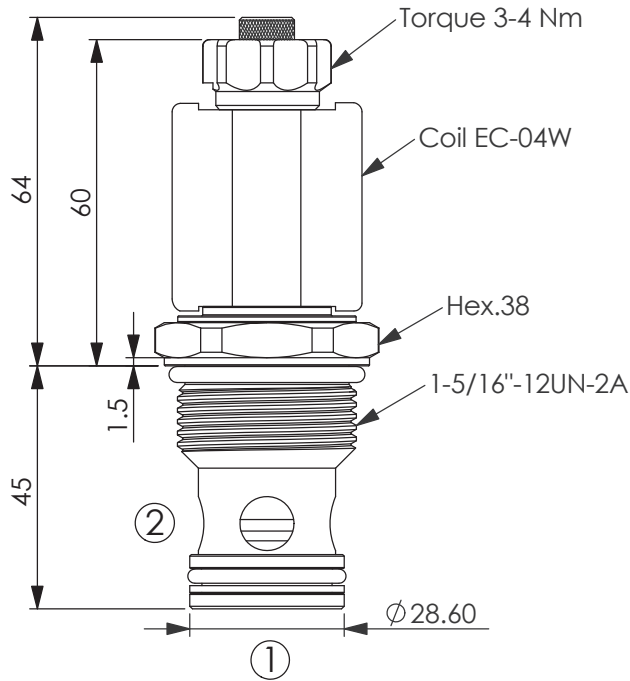
X	STRUCTURE	
2A	2 Ports	20 Watt. Coil

Y	OPERATION	
05	Normally-Closed Reverse Flow Energized	

Z	OPTIONS	
N	Non-adjustable	
M	Screw-out Knob Style	

SOLENOID OPERATED VALVES (Poppet 2-Way Normally-Closed Cartridge Style)

Ordering Code: **EP-16W-X-Y-Z-05**



TECHNICAL DATA

Max. Operating pressure: 350 bar

Rated flow: 150 l/min

Cavity-Tooling: 16W-2

Installation torque: 80-100 Nm

Weight: 0.35 kg

Fluids-Temperatures: -40~120 °C

Internal Leakage: 0.15cc/minute

(3 drops/minute) max.at 350 bar

Filtration: 25 µm nominal or better

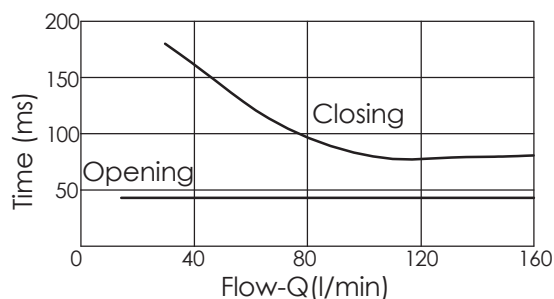
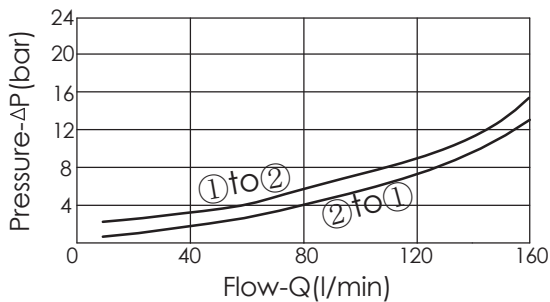
Minimum Voltage Required:

90 % of nominal

Coils must be ordered separately

Mounting Position: unrestricted

UNIT:mm



X	STRUCTURE	
2A	2 Ports - 20 Watt. Coil	

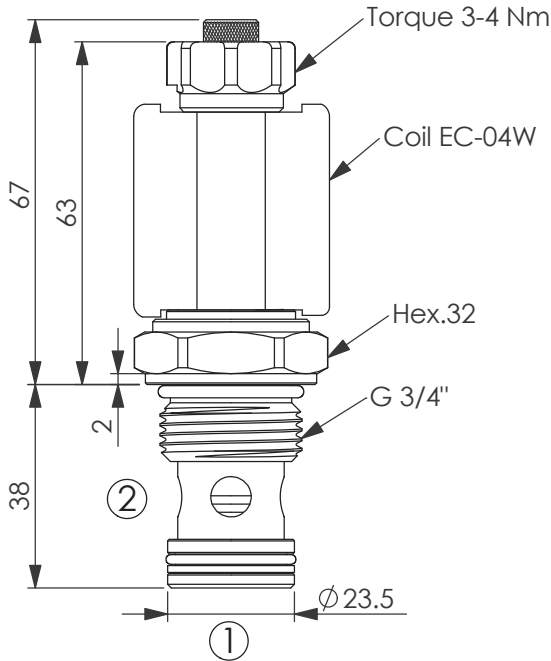
Y	OPERATION	
05	Normally-Closed Reverse Flow Energized	

--	--	--

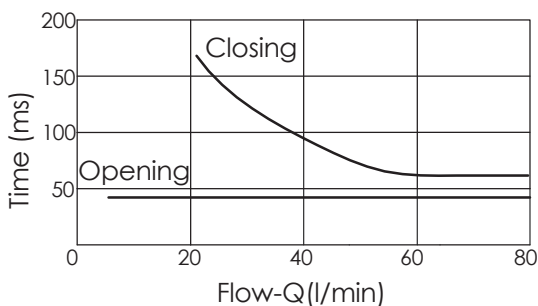
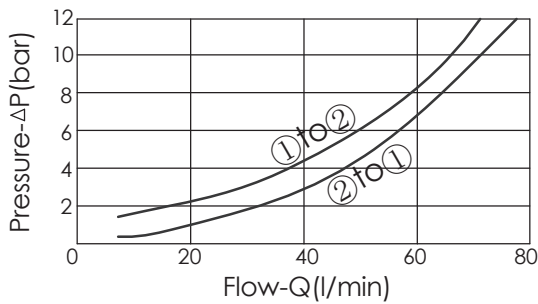
Z	OPTIONS	
N	Non-adjustable	
M	Screw-out Knob Style	

SOLENOID OPERATED VALVES (Poppet 2-Way Normally-Closed Cartridge Style)

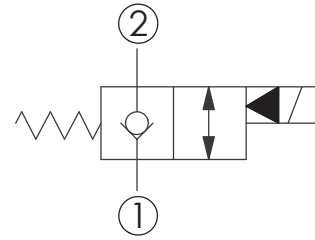
Ordering Code: **EP-17E-X-Y-Z-05**



UNIT:mm



Y	OPERATION
05	Normally-Closed Reverse Flow Energized



TECHNICAL DATA

Max.Operating pressure: 350 bar

Rated flow: 70 l/min

Cavity-Tooling: 17E-2

Installation torque: 54-66 Nm

Weight: 0.22 kg

Fluids-Temperatures: -40~120 °C

Internal Leakage: 0.15cc/minute

(3 drops/minute) max.at 350 bar

Filtration: 25 µm nominal or better

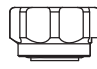
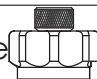
Minimum Voltage Required:

90 % of nominal

Coils must be ordered separately

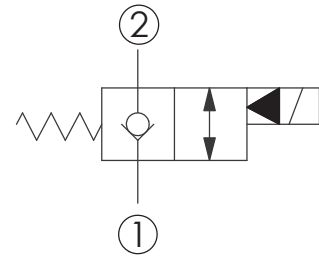
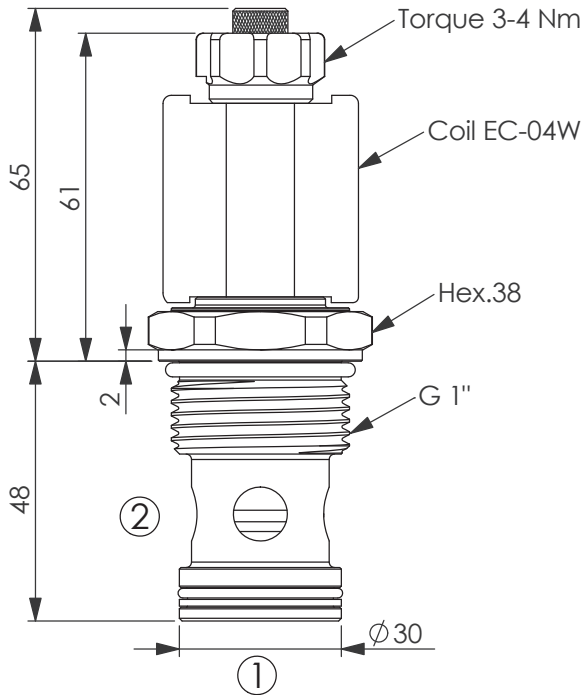
Mounting Position: unrestricted

X	STRUCTURE
2A	2 Ports · 20 Watt. Coil

Z	OPTIONS
N	Non-adjustable 
M	Screw-out Knob Style 

SOLENOID OPERATED VALVES (Poppet 2-Way Normally-Closed Cartridge Style)

Ordering Code: **EP-21E-X-Y-Z-05**



TECHNICAL DATA

Max. Operating pressure: 350 bar

Rated flow: 150 l/min

Cavity-Tooling: 21E-2

Installation torque: 80-100 Nm

Weight: 0.35 kg

Fluids-Temperatures: -40~120 °C

Internal Leakage: 0.15cc/minute

(3 drops/minute) max. at 350 bar

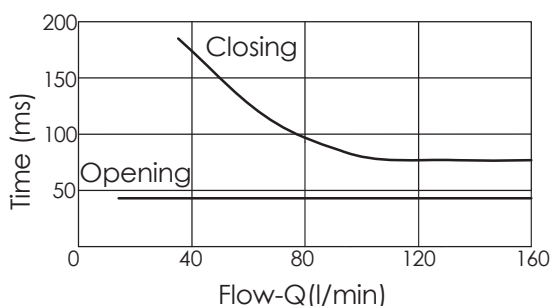
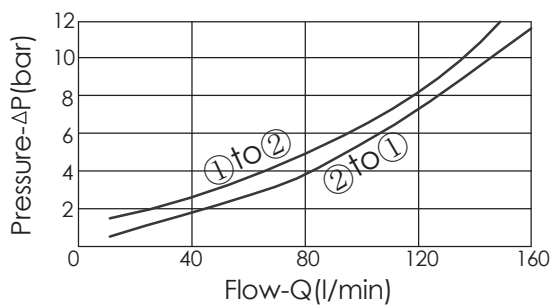
Filtration: 25 µm nominal or better

Minimum Voltage Required:
90 % of nominal

Coils must be ordered separately

Mounting Position: unrestricted

UNIT:mm



X	STRUCTURE	
2A	2 Ports	20 Watt. Coil

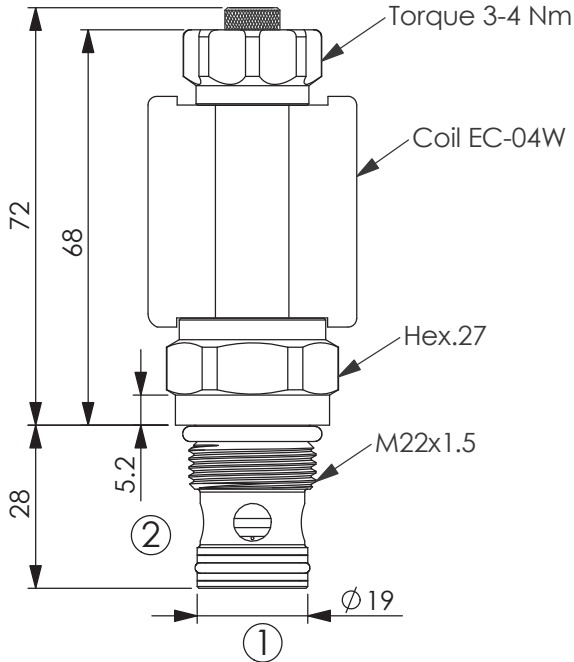
Z	OPTIONS	
N	Non-adjustable	
M	Screw-out Knob Style	

Y OPERATION

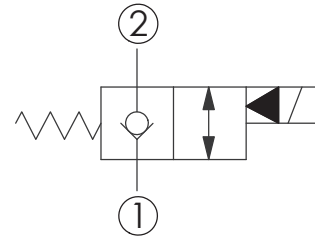
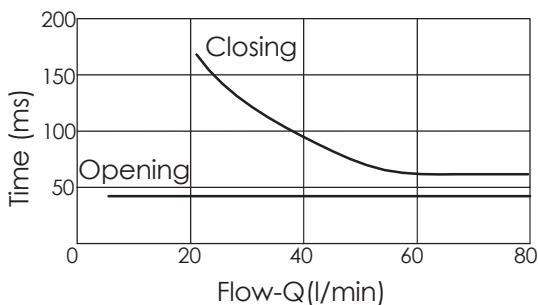
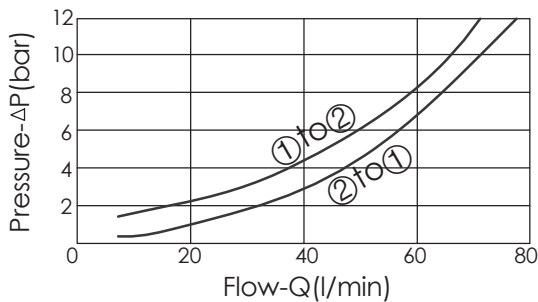
05 Normally-Closed
Reverse Flow Energized

SOLENOID OPERATED VALVES (Poppet 2-Way Normally-Closed Cartridge Style)

Ordering Code: **EP-22M-X-Y-Z-05**



UNIT:mm



TECHNICAL DATA

Max.Operating pressure: 350 bar

Rated flow: 70 l/min

Cavity-Tooling: 22M-2

Installation torque: 44-56 Nm

Weight: 0.16 kg

Fluids-Temperatures: -40~120 °C

Internal Leakage: 0.15cc/minute

(3 drops/minute) max.at 350 bar

Filtration: 25 µm nominal or better

Minimum Voltage Required:

90 % of nominal

Coils must be ordered separately

Mounting Position: unrestricted

X	STRUCTURE	
2A	2 Ports · 20 Watt. Coil	

Y	OPERATION	
05	Normally-Closed Reverse Flow Energized	

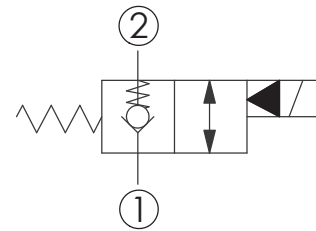
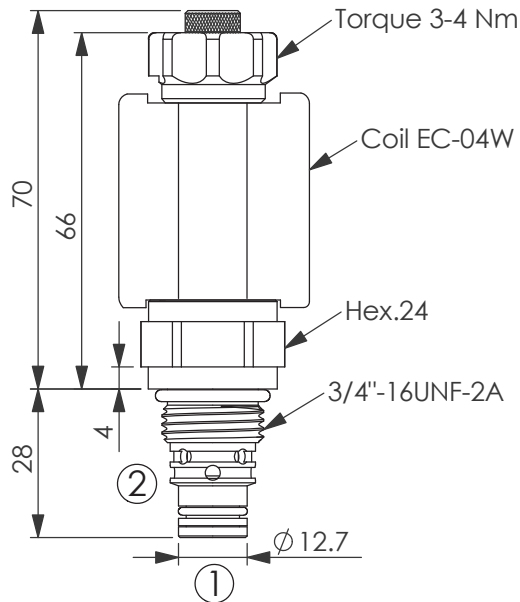
Z	OPTIONS	
N	Non-adjustable	
M	Screw-out Knob Style	

SOLENOID OPERATED VALVES

(Poppet 2-Way Normally-Closed Cartridge Style With Extra Spring)

Ordering Code: **EP-08W-X-Y-Z-85**

This design allows faster response times with very small flow or even virtually zero flow.



TECHNICAL DATA

Max. Operating pressure: 350 bar

Rated flow: 40 l/min

Cavity-Tooling: 08W-2

Installation torque: 39-51 Nm

Weight: 0.13 kg

Fluids-Temperatures: -40~120 °C

Internal Leakage: 0.15cc/minute
(3 drops/minute) max.at 350 bar

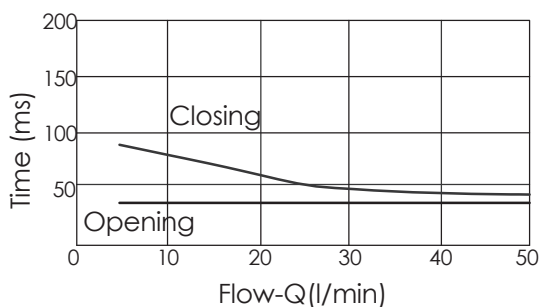
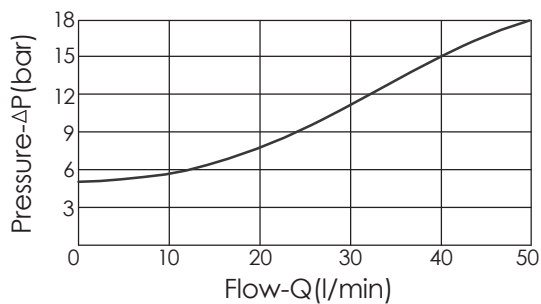
Filtration: 25 µm nominal or better

Minimum Voltage Required:
90 % of nominal

Coils must be ordered separately

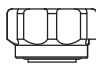
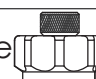
Mounting Position: unrestricted

UNIT:mm



X	STRUCTURE
2A	2 Ports - 20 Watt. Coil

Y	OPERATION
05	Normally-Closed Reverse Flow Energized

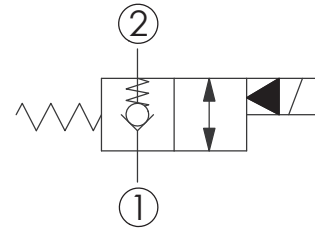
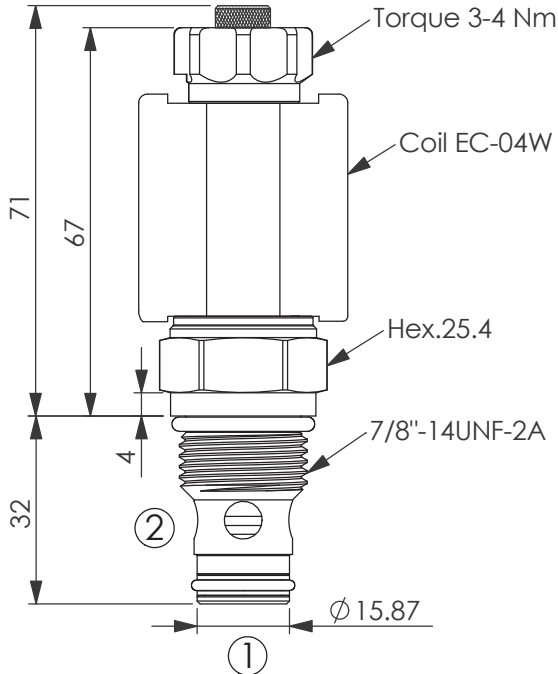
Z	OPTIONS
N	Non-adjustable 
M	Screw-out Knob Style 

SOLENOID OPERATED VALVES

(Poppet 2-Way Normally-Closed Cartridge Style With Extra Spring)

Ordering Code: **EP-10W-X-Y-Z-85**

This design allows faster response times with very small flow or even virtually zero flow.



TECHNICAL DATA

Max. Operating pressure: 350 bar

Rated flow: 70 l/min

Cavity-Tooling: 10W-2

Installation torque: 44-56 Nm

Weight: 0.16 kg

Fluids-Temperatures: -40~120 °C

Internal Leakage: 0.15cc/minute

(3 drops/minute) max. at 350 bar

Filtration: 25 µm nominal or better

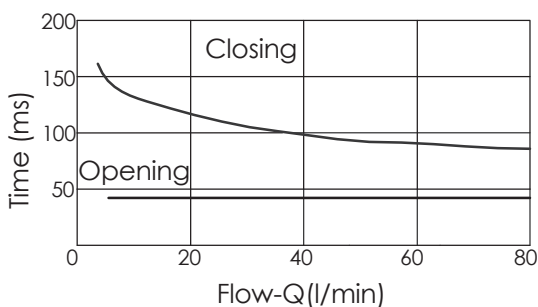
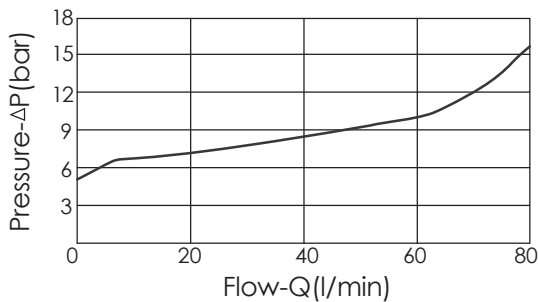
Minimum Voltage Required:

90 % of nominal

Coils must be ordered separately


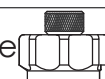
Mounting Position: unrestricted

UNIT:mm



X	STRUCTURE	
2A	2 Ports	20 Watt. Coil

Y	OPERATION	
05	Normally-Closed	Reverse Flow Energized

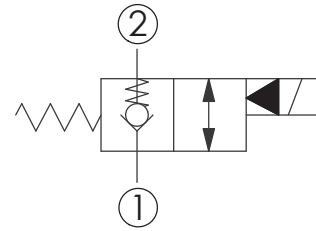
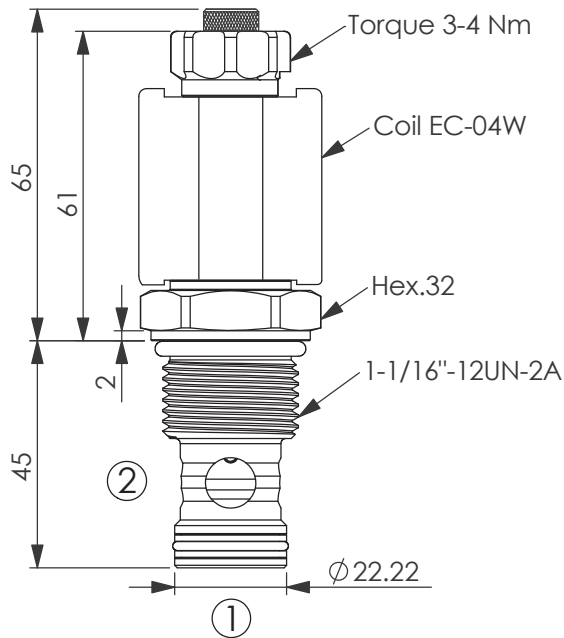
Z	OPTIONS	
N	Non-adjustable	
M	Screw-out Knob Style	

SOLENOID OPERATED VALVES

(Poppet 2-Way Normally-Closed Cartridge Style With Extra Spring)

Ordering Code: **EP-12W-X-Y-Z-85**

This design allows faster response times with very small flow or even virtually zero flow.



TECHNICAL DATA

Max. Operating pressure: 350 bar

Rated flow: 150 l/min

Cavity-Tooling: 12W-2

Installation torque: 54-66 Nm

Weight: 0.23 kg

Fluids-Temperatures: -40~120 °C

Internal Leakage: 0.15cc/minute

(3 drops/minute) max.at 350 bar

Filtration: 25 µm nominal or better

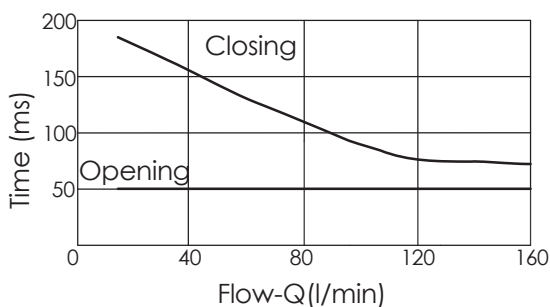
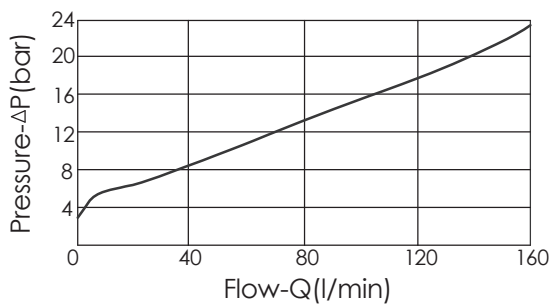
Minimum Voltage Required:

90 % of nominal

Coils must be ordered separately

Mounting Position: unrestricted

UNIT:mm



X	STRUCTURE	
2A	2 Ports - 20 Watt. Coil	

Y	OPERATION	
05	Normally-Closed Reverse Flow Energized	

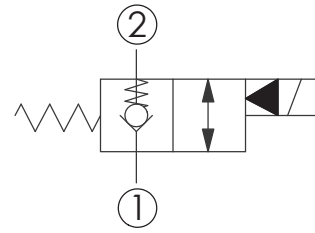
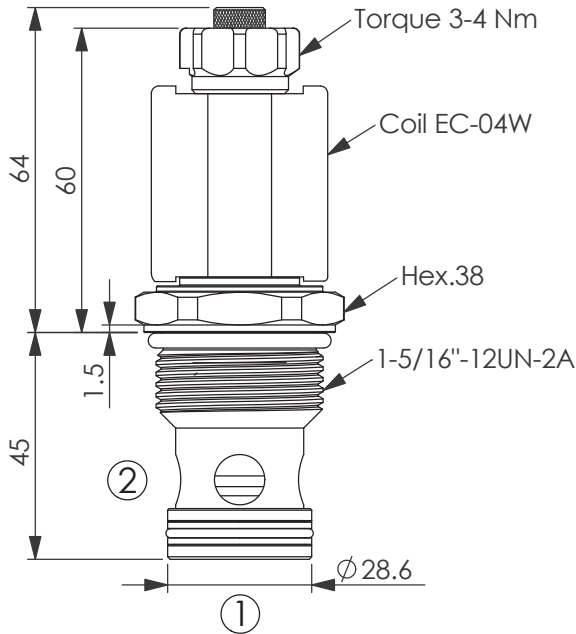
Z	OPTIONS	
N	Non-adjustable	
M	Screw-out Knob Style	

SOLENOID OPERATED VALVES

(Poppet 2-Way Normally-Closed Cartridge Style With Extra Spring)

Ordering Code: **EP-16W-X-Y-Z-85**

This design allows faster response times with very small flow or even virtually zero flow.



TECHNICAL DATA

Max. Operating pressure: 350 bar

Rated flow: 150 l/min

Cavity-Tooling: 16W-2

Installation torque: 80-100 Nm

Weight: 0.4 kg

Fluids-Temperatures: -40~120 °C

Internal Leakage: 0.15cc/minute

(3 drops/minute) max. at 350 bar

Filtration: 25 µm nominal or better

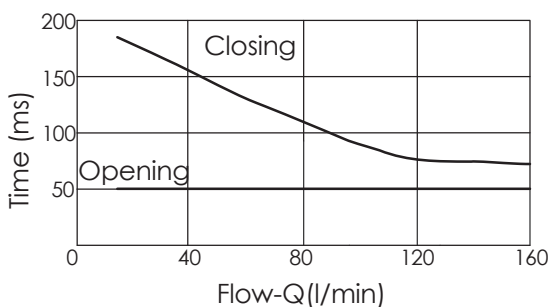
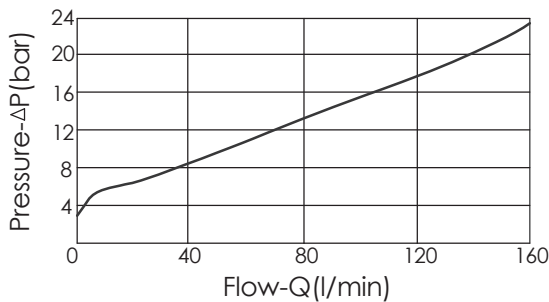
Minimum Voltage Required:

90 % of nominal

Coils must be ordered separately


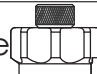
Mounting Position: unrestricted

UNIT:mm



X	STRUCTURE	
2A	2 Ports	20 Watt. Coil

Y	OPERATION	
05	Normally-Closed	Reverse Flow Energized

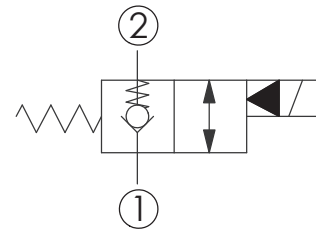
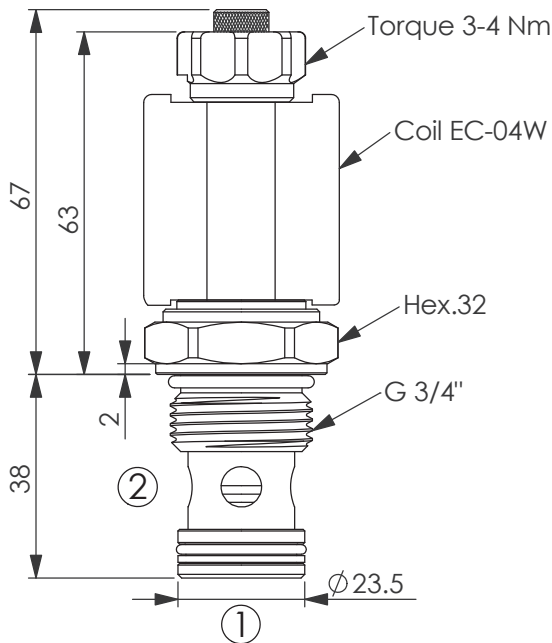
Z	OPTIONS	
N	Non-adjustable	
M	Screw-out Knob Style	

SOLENOID OPERATED VALVES

(Poppet 2-Way Normally-Closed Cartridge Style With Extra Spring)

Ordering Code: **EP-17E-X-Y-Z-85**

This design allows faster response times with very small flow or even virtually zero flow.



TECHNICAL DATA

Max. Operating pressure: 350 bar

Rated flow: 70 l/min

Cavity-Tooling: 17E-2

Installation torque: 54-66 Nm

Weight: 0.22 kg

Fluids-Temperatures: -40~120 °C

Internal Leakage: 0.15cc/minute
(3 drops/minute) max. at 350 bar

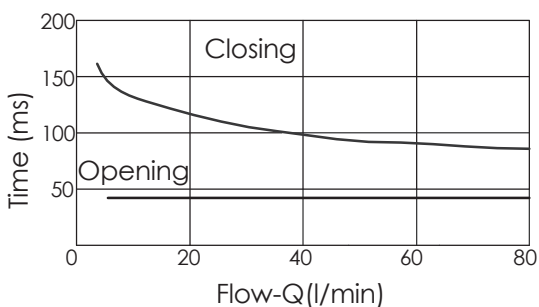
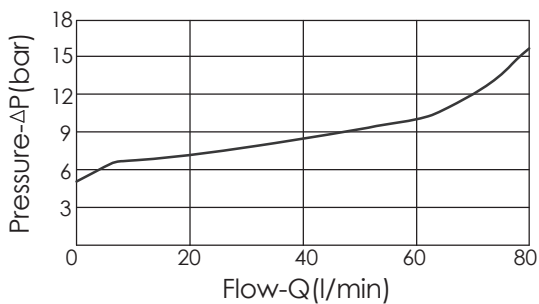
Filtration: 25 µm nominal or better

Minimum Voltage Required:
90 % of nominal

Coils must be ordered separately

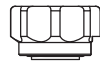
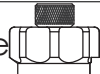
Mounting Position: unrestricted

UNIT:mm



X	STRUCTURE
2A	2 Ports - 20 Watt. Coil

Y	OPERATION
05	Normally-Closed Reverse Flow Energized

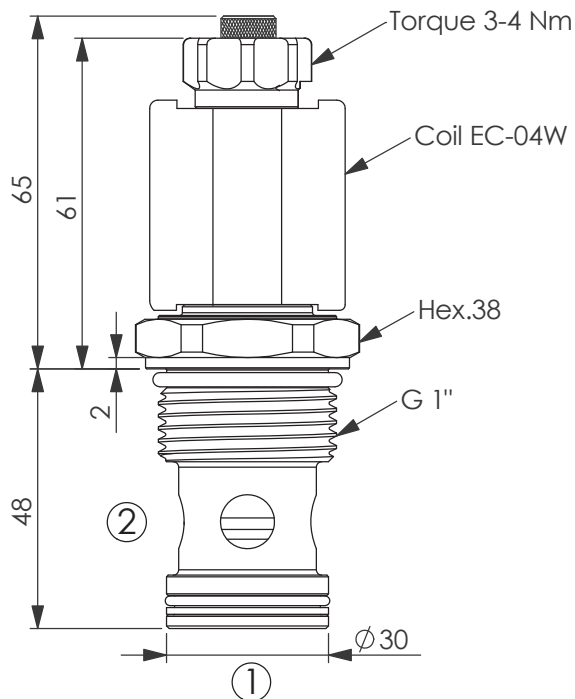
Z	OPTIONS
N	Non-adjustable 
M	Screw-out Knob Style 

SOLENOID OPERATED VALVES

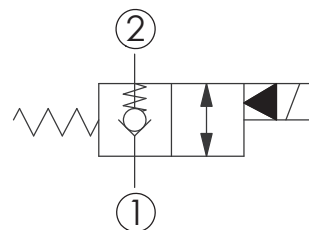
(Poppet 2-Way Normally-Closed Cartridge Style With Extra Spring)

Ordering Code: **EP-21E-X-Y-Z-85**

This design allows faster response times with very small flow or even virtually zero flow.



UNIT:mm



TECHNICAL DATA

Max.Operating pressure: 350 bar

Rated flow: 150 l/min

Cavity-Tooling: 21E-2

Installation torque: 80-100 Nm

Weight: 0.35 kg

Fluids-Temperatures: -40~120 °C

Internal Leakage: 0.15cc/minute

(3 drops/minute) max.at 350 bar

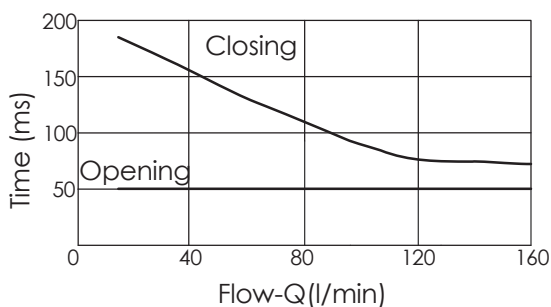
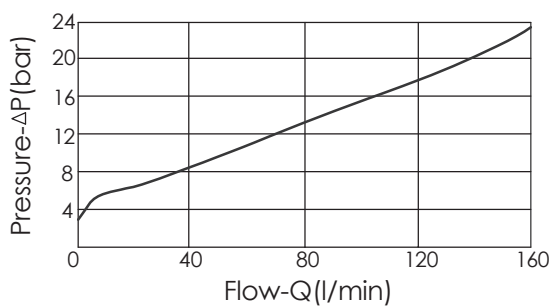
Filtration: 25 µm nominal or better

Minimum Voltage Required:

90 % of nominal

Coils must be ordered separately

Mounting Position: unrestricted



X	STRUCTURE	
2A	2 Ports	20 Watt. Coil

Y	OPERATION	
05	Normally-Closed	Reverse Flow Energized

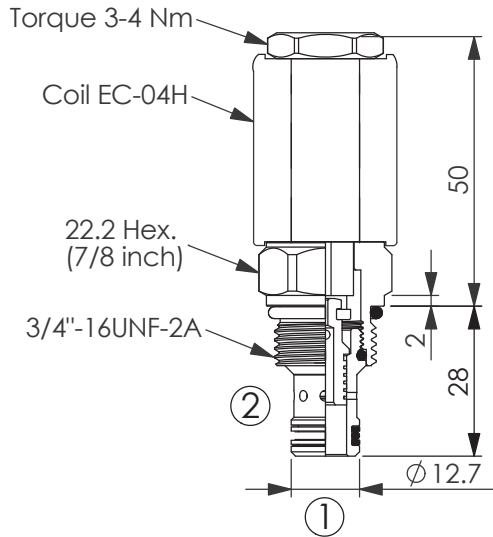
Z	OPTIONS	
N	Non-adjustable	
M	Screw-out Knob Style	

SOLENOID OPERATED VALVES

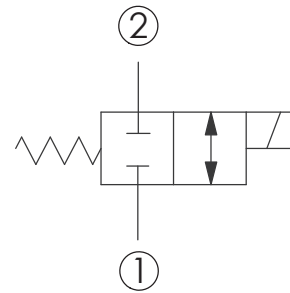
(Spool 2-Way Normally Close)

Ordering Code: **ES-08W-X-Y-Z-04**

Note: This valve is designed for space-limited application. It only use **EC-04H** coil. Please contact our Sales Department for any information.



UNIT:mm



TECHNICAL DATA

Max. Operating pressure: 350 bar

Rated flow: 15 l/min

Cavity-Tooling: 08W-2

Installation torque: 39-51 Nm

Weight: 0.10 kg

Fluids-Temperatures: -40~120 °C

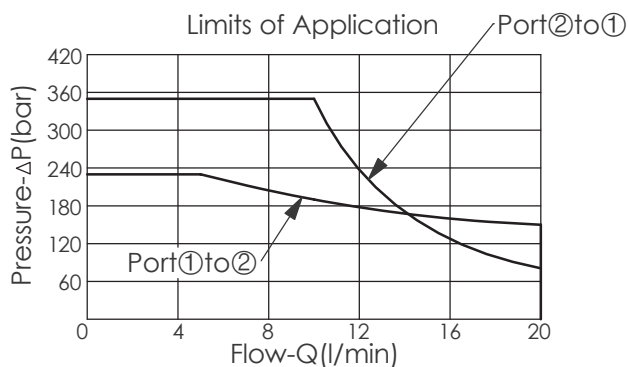
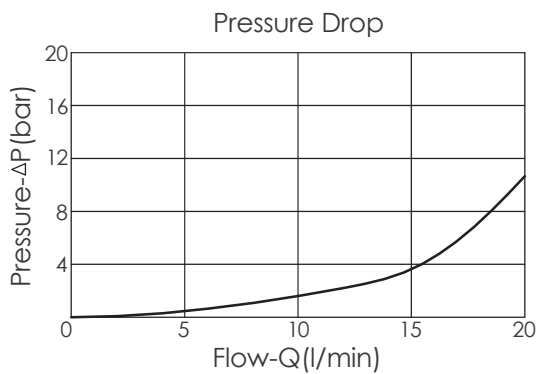
Internal Leakage: 80cc/minute
max.at 210 bar

Filtration: 25 µm nominal or better

Minimum Voltage Required:
90 % of nominal

Coils must be ordered separately

Mounting Position: unrestricted



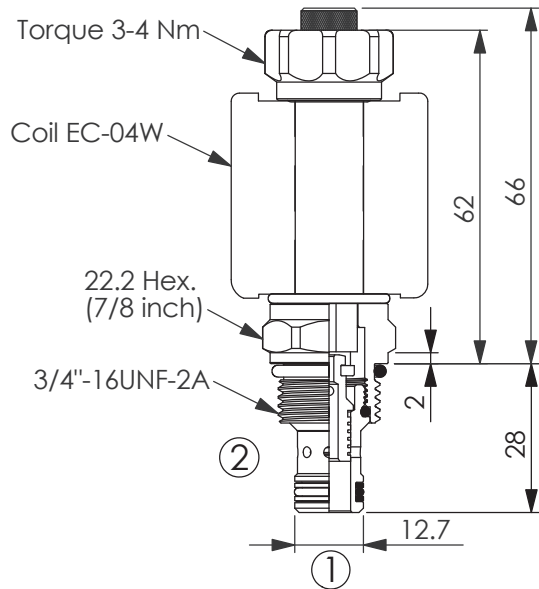
X	STRUCTURE	
2H	2 Ports \ 14.7 Watt. Coil	
	Ø 12.7 mm tube	

Z	OPTIONS	
N	Non-adjustable	

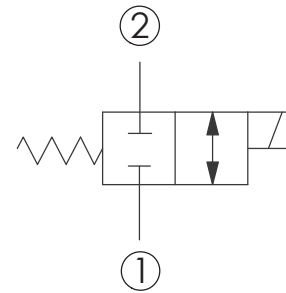
Y	OPERATION	
14	Spool 2 -Way, 2-Position Normally-Close	

SOLENOID OPERATED VALVES (Spool 2-Way Normally-Close)

Ordering Code: **ES-08W-X-Y-Z-04**



UNIT:mm



TECHNICAL DATA

Max.Operating pressure: 350 bar

Rated flow: 15 l/min

Cavity-Tooling: 08W-2

Installation torque: 39-51 Nm

Weight: 0.10 kg

Fluids-Temperatures: -40~120 °C

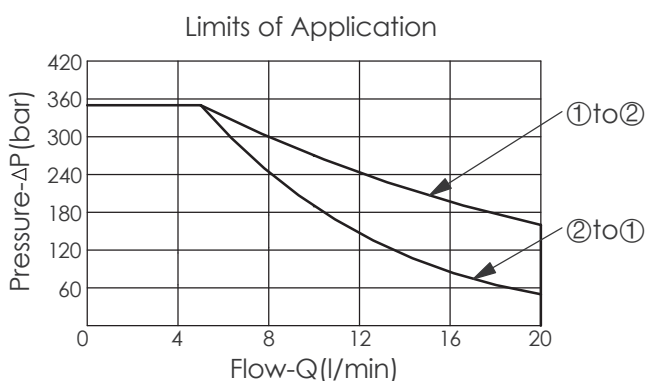
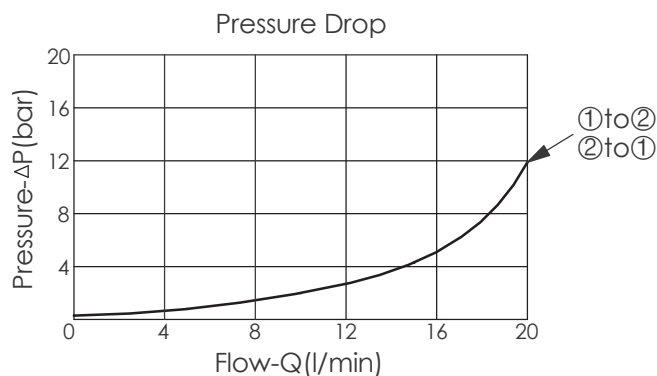
Internal Leakage: 80cc/minute
max.at 210 bar

Filtration: 25 µm nominal or better

Minimum Voltage Required:
90 % of nominal

Coils must be ordered separately

Mounting Position: unrestricted

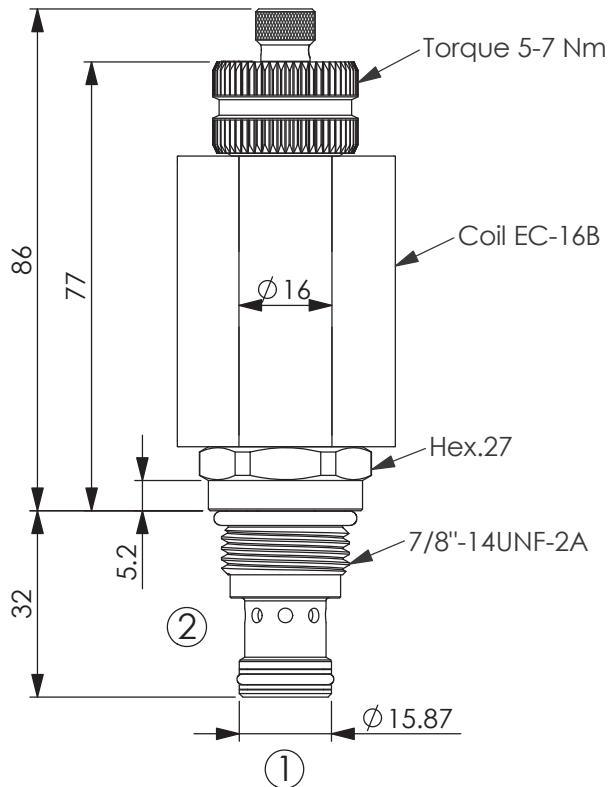


X	STRUCTURE	
2A	2 Ports 、 20 Watt. Coil φ 12.7 mm tube	

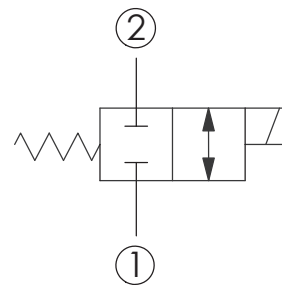
Y	OPERATION	
14	Spool 2 -Way, 2-Position Normally-Close	

Z	OPTIONS	
N	Non-adjustable	
M	Screw-out Knob Style	

Ordering Code: **ES-10W-X-Y-Z-04**



UNIT:mm



TECHNICAL DATA

Rated pressure: 350 bar

Rated flow: 25 l/min

Cavity-Tooling: 10W-2

Installation torque: 44-56 Nm

Weight: 0.18 kg

Fluids-Temperatures: -40~120 °C

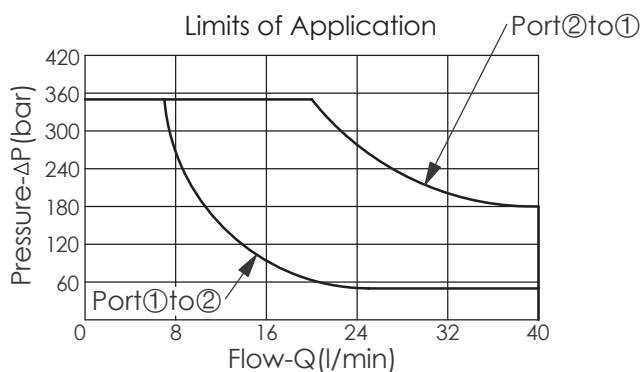
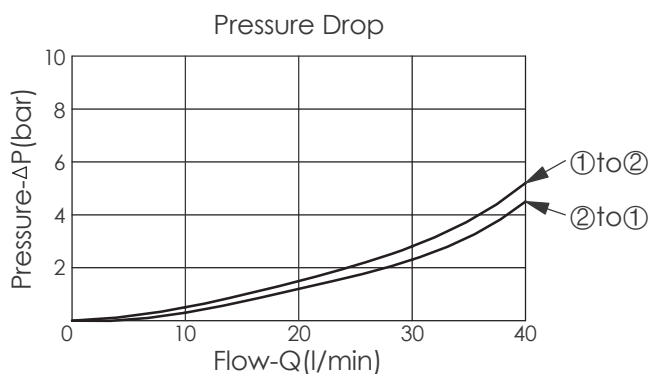
Internal Leakage: 80cc/minute
max.at 210 bar

Filtration: 25 µm nominal or better

Minimum Voltage Required:
90 % of nominal

Coils must be ordered separately

Mounting Position: unrestricted



X	STRUCTURE	
2C	2 Ports 、 26 Watt. Coil ∅ 16 mm tube	

Y	OPERATION	
14	Spool 2-Way, 2-Position Normally-Close	

Z	OPTIONS	
N	Non-adjustable	
M	Screw-out Knob Style	

CENTRALA ELBLĄG

Ul. Rawska 19B
82-300 Elbląg

tel. /+48/ 55 625 51 00

fax /+48/ 55 625 51 01

Dział Handlowy

tel. /+48/ 55 625 51 51

elblag@hydropress.pl



www.hydropress.pl

ODDZIAŁ GDAŃSK

tel. /+48/ 55 625 51 21

fax /+48/ 55 625 51 22

ODDZIAŁ RUMIA

tel. /+48/ 58 679 34 15

fax /+48/ 55 625 51 25

ODDZIAŁ TYCHY

tel. /+48/ 32 787 52 88

fax /+48/ 55 625 51 38

ODDZIAŁ OLSZTYN

tel. /+48/ 89 532 01 05

fax /+48/ 89 715 21 42

ODDZIAŁ WARSZAWA

tel. /+48/ 22 468 86 97

fax /+48/ 55 625 51 32

BIURO WE WROCŁAWIU

tel. /+48/ 782 838 000

fax /+48/ 55 625 51 35

BIURO W KIELCACH

tel. /+48/ 885 995 501

fax /+48/ 55 625 51 01

BIURO W KRAKOWIE

tel. /+48/ 885 995 019

fax /+48/ 55 625 51 01

BIURO W OPOLU

tel. /+48/ 885 995 011

fax /+48/ 55 625 51 01

BIURO W BYDGOSZCZY

tel. /+48/ 790 222 771

fax /+48/ 55 625 51 01

BIURO W BIAŁYMSTOKU

tel. /+48/ 89 532 01 05

fax /+48/ 89 715 21 42

BIURO W ŁODZI

tel. /+48/ 609 221 421

fax /+48/ 89 715 21 42