



# CEWKI I AKCESORIA ELEKTRYCZNE

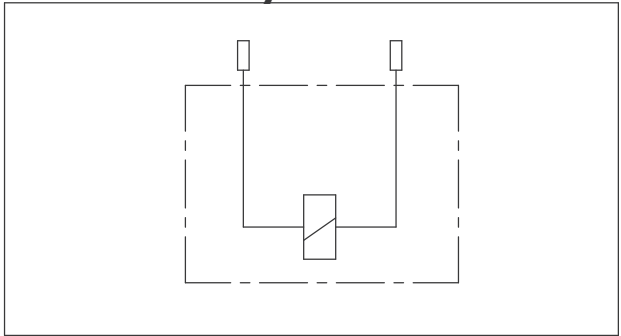
## SOLENOID OPERATED VALVES Continuous Duty Coils-ED 100%

Ordering Code: **EC-04H-X-Y-Z**

Length 430 mm

While installing, please be sure that this side is toward to the solenoid cartridge valve.

UNIT:mm



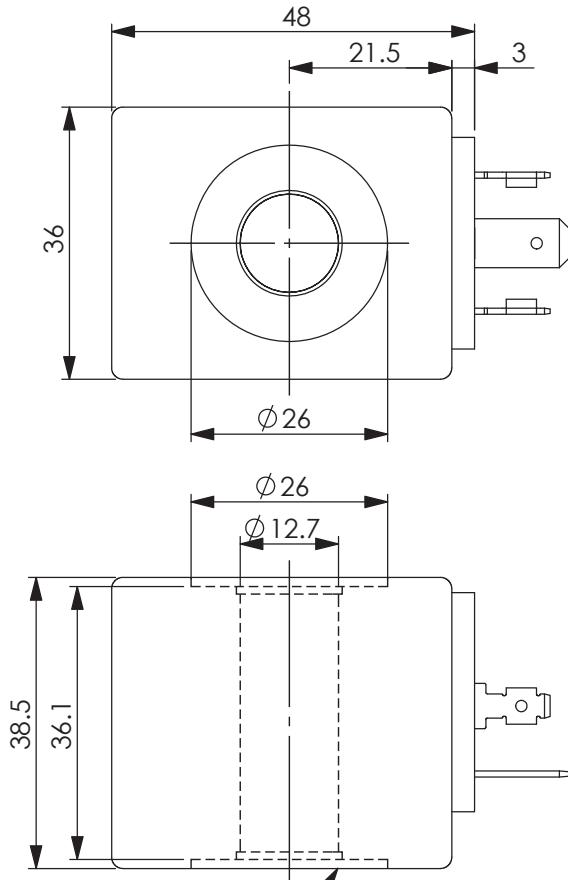
TECHNICAL DATA	
Weight:	0.14 kg
HEAT INSULATION CLASS H: 356°F   (180°C)	
Ambient temperature range: -22+140°F   (-30+60°C)	
Available on request: Different Voltages - Different connectors.	
Inlet voltage fluctuations must not exceed $\pm 10\%$ of nominal voltage to obtain correct operation and long life of coils.	
CE approved	

X	Power (W)
147	14.7 Watt.

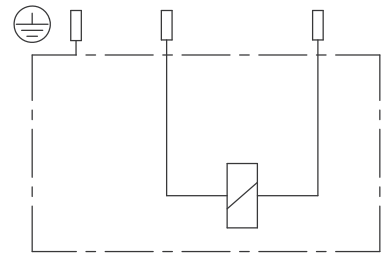
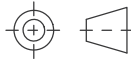
Y	Connections
C	DOUBLE LEAD

Z	Voltage (V)	Resistance ( $\Omega$ )	Current (A)	
	Nominal	20~25 °C	Cold Coil	Hot Coil
E	12V DC	9.8 $\pm$ 7%	1.22	0.83
D	24V DC	39.3 $\pm$ 7%	0.62	0.41

Ordering Code: **EC-04W-X-Y-Z**



While installing, please be sure that this side is toward to the solenoid cartridge valve.



### TECHNICAL DATA

Weight: 0.22 kg

HEAT INSULATION CLASS H:  
356°F | (180°C)

Ambient temperature range:  
-22+140°F | (-30+60°C)

Available on request:  
Different Voltages -  
Different connectors.

Inlet voltage fluctuations must not exceed  $\pm 10\%$  of nominal voltage to obtain correct operation and long life of coils.

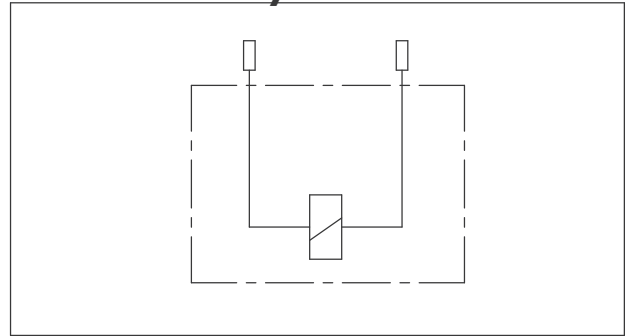
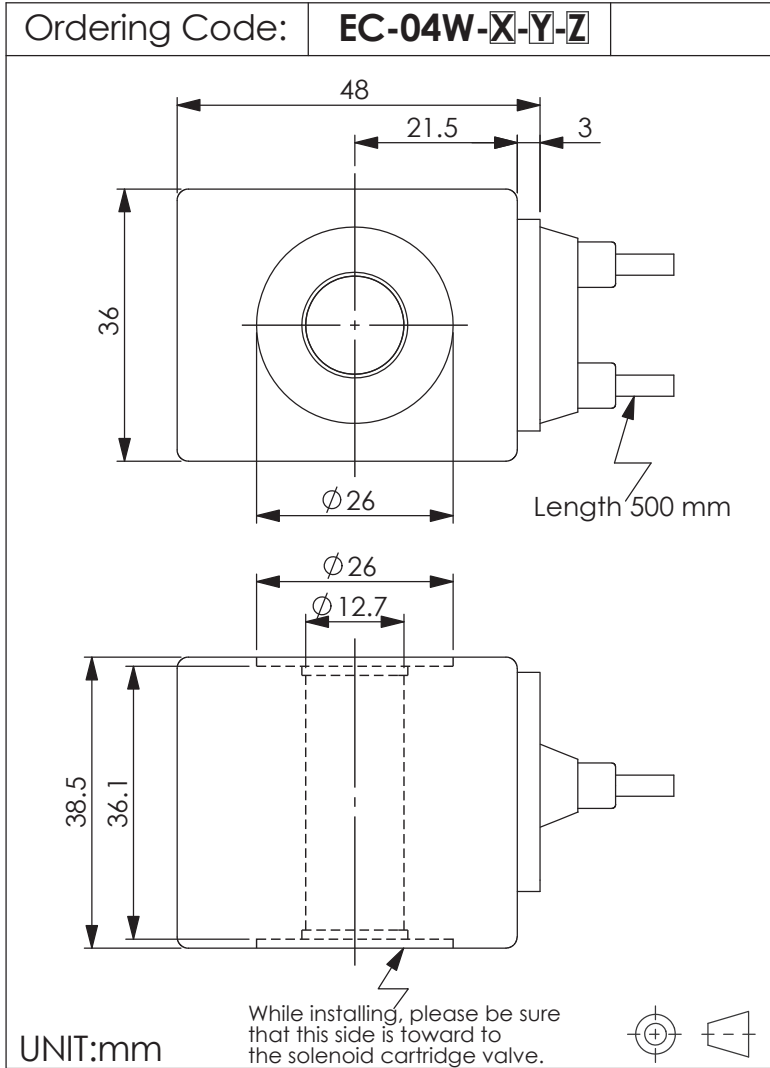
CE approved

UNIT:mm

X	Power (W)		Y	Connections	
200	20 Watt.		H	DIN43650-ISO4400	

Z	Voltage (V)	Resistance ( $\Omega$ )	Current (A)	
	Nominal	20~25 °C	Cold Coil	Hot Coil
C	24V RAC	23.2 $\pm$ 7%	0.95	0.63
B	110V RAC	470 $\pm$ 7%	0.19	0.14
A	220V RAC	1910 $\pm$ 7%	0.09	0.07
F	10V DC	5.0 $\pm$ 8%	1.98	1.28
E	12V DC	7.5 $\pm$ 7%	1.66	1.06
M	14V DC	9.3 $\pm$ 7%	1.48	0.96
N	20V DC	20 $\pm$ 7%	0.99	0.65
D	24V DC	28.6 $\pm$ 7%	0.88	0.53
G	26V DC	34.2 $\pm$ 7%	0.77	0.52
J	28V DC	39.2 $\pm$ 7%	0.71	0.50
L	36V DC	64 $\pm$ 7%	0.56	0.36
H	48V DC	110 $\pm$ 7%	0.45	0.28

## SOLENOID OPERATED VALVES Continuous Duty Coils-ED 100%



### TECHNICAL DATA

Weight: 0.22 kg

HEAT INSULATION CLASS H:  
356°F | (180°C)

Ambient temperature range:  
-22+140°F | (-30+60°C)

Available on request:  
Different Voltages -  
Different connectors.

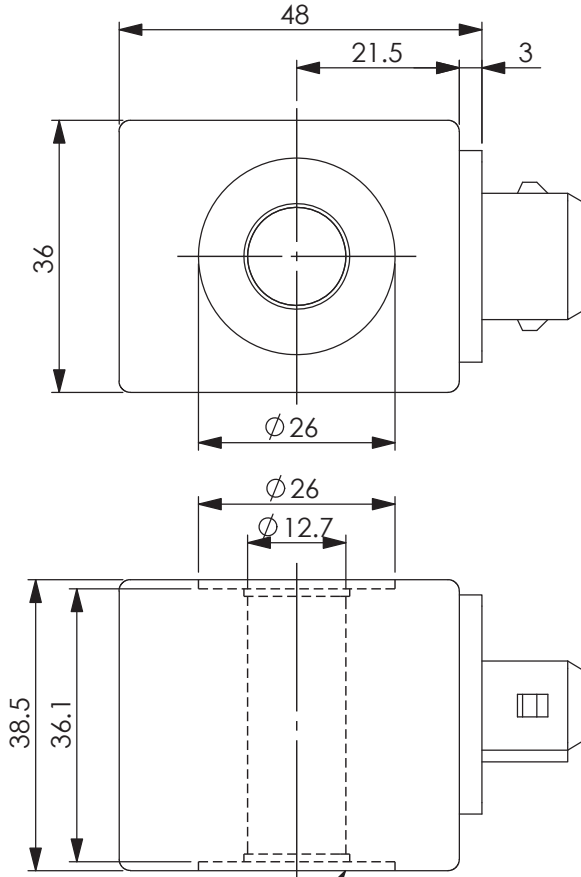
Inlet voltage fluctuations must not exceed  $\pm 10\%$  of nominal voltage to obtain correct operation and long life of coils.

CE approved

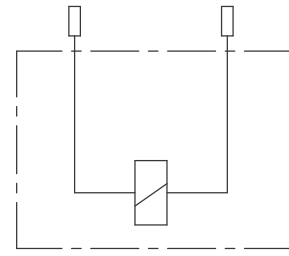
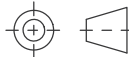
X	Power (W)		Y	Connections	
200	20 Watt.		C	DOUBLE LEAD	

Z	Voltage (V)	Resistance ( $\Omega$ )	Current (A)	
	Nominal	20~25 °C	Cold Coil	Hot Coil
F	10V DC	5.0 $\pm$ 8%	1.98	1.28
E	12V DC	7.5 $\pm$ 7%	1.66	1.06
M	14V DC	9.3 $\pm$ 7%	1.48	0.96
N	20V DC	20 $\pm$ 7%	0.99	0.65
D	24V DC	28.6 $\pm$ 7%	0.88	0.53
G	26V DC	34.2 $\pm$ 7%	0.77	0.52
J	28V DC	39.2 $\pm$ 7%	0.71	0.50
L	36V DC	64 $\pm$ 7%	0.56	0.36
H	48V DC	110 $\pm$ 7%	0.45	0.28

Ordering Code: **EC-04W-X-Y-Z**



While installing, please be sure that this side is toward to the solenoid cartridge valve.



### TECHNICAL DATA

Weight: 0.22 kg

HEAT INSULATION CLASS H:  
356°F (180°C)

Ambient temperature range:  
-22+140°F (-30+60°C)

Available on request:  
Different Voltages -  
Different connectors.

Inlet voltage fluctuations must not exceed  $\pm 10\%$  of nominal voltage to obtain correct operation and long life of coils.

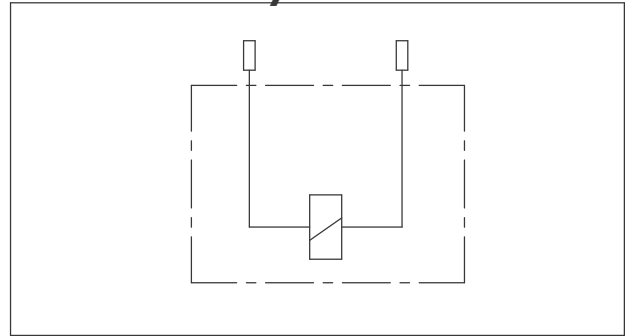
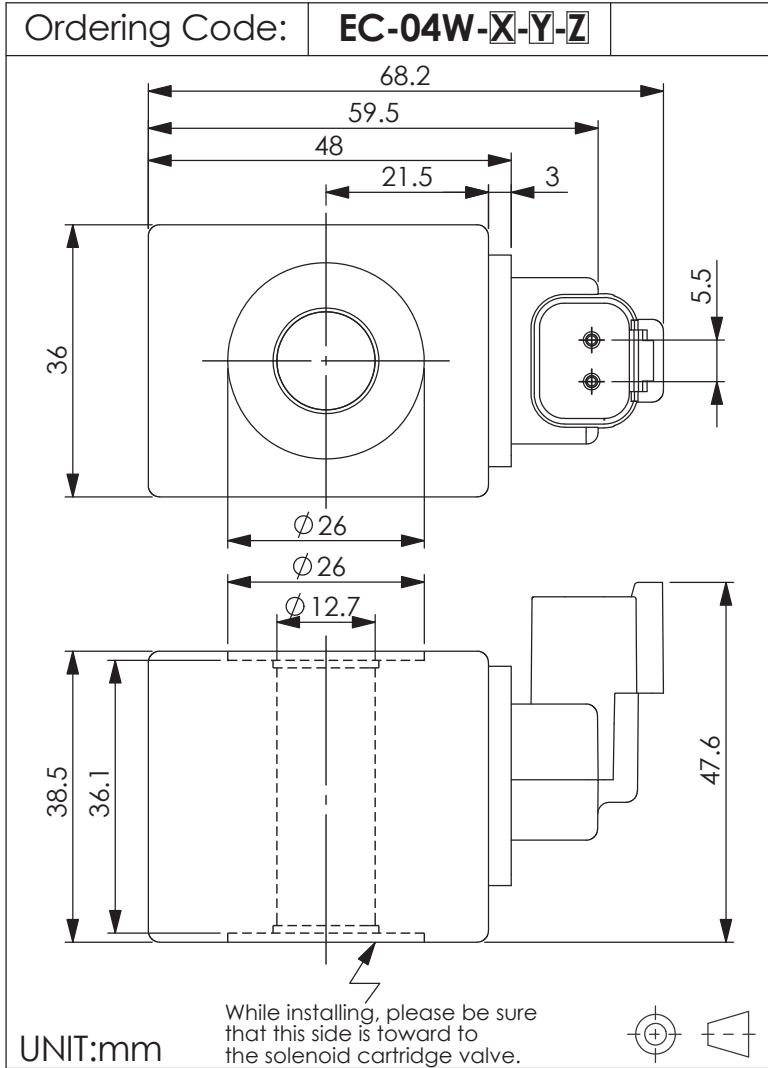
CE approved

UNIT:mm

X	Power (W)		Y	Connections	
200	20 Watt.		A	AMP JUNIOR (L)	

Z	Voltage (V)	Resistance ( $\Omega$ )	Current (A)	
	Nominal	20~25 °C	Cold Coil	Hot Coil
F	10V DC	5.0 $\pm$ 8%	1.98	1.28
E	12V DC	7.5 $\pm$ 7%	1.66	1.06
N	20V DC	20 $\pm$ 7%	0.99	0.65
D	24V DC	28.6 $\pm$ 7%	0.88	0.53
G	26V DC	34.2 $\pm$ 7%	0.77	0.52
J	28V DC	39.2 $\pm$ 7%	0.71	0.50
L	36V DC	64 $\pm$ 7%	0.56	0.36
H	48V DC	110 $\pm$ 7%	0.45	0.28

## SOLENOID OPERATED VALVES Continuous Duty Coils-ED 100%



### TECHNICAL DATA

Weight: 0.22 kg

HEAT INSULATION CLASS H:  
356°F (180°C)

Ambient temperature range:  
-22+140°F (-30+60°C)

Available on request:  
Different Voltages -  
Different connectors.

Inlet voltage fluctuations must not exceed  $\pm 10\%$  of nominal voltage to obtain correct operation and long life of coils.

CE approved

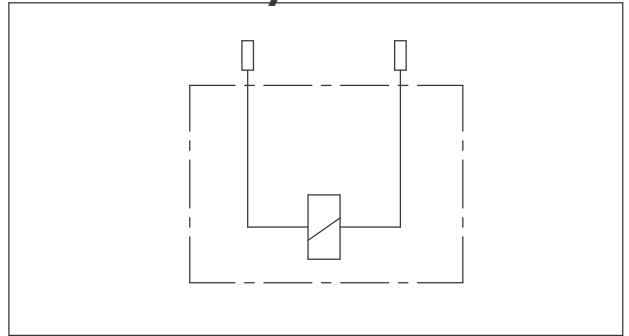
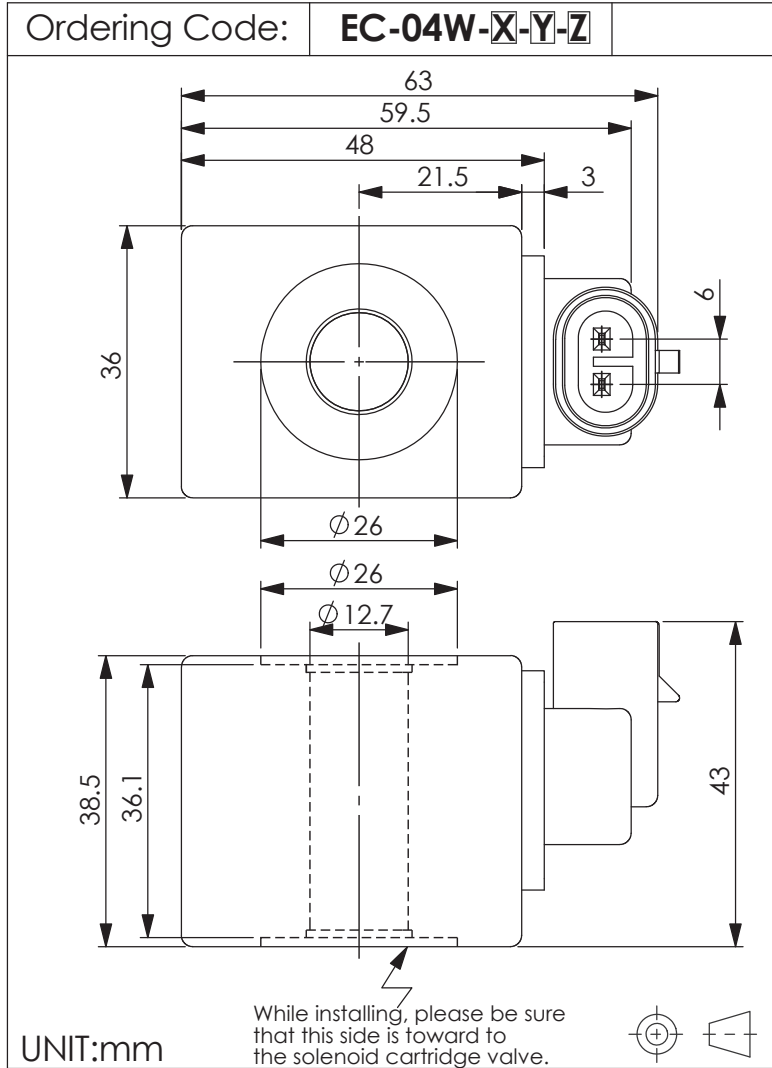
X	Power (W)	
200	20 Watt.	

Y	Connections	
F	DEUTSCH DT04-2P(V)	

Z	Voltage (V)	Resistance ( $\Omega$ )	Current (A)	
	Nominal	20~25 °C	Cold Coil	Hot Coil
F	10V DC	5.0 $\pm$ 8%	1.98	1.28
E	12V DC	7.5 $\pm$ 7%	1.66	1.06
N	20V DC	20 $\pm$ 7%	0.99	0.65
D	24V DC	28.6 $\pm$ 7%	0.88	0.53
G	26V DC	34.2 $\pm$ 7%	0.77	0.52
J	28V DC	39.2 $\pm$ 7%	0.71	0.50
L	36V DC	64 $\pm$ 7%	0.56	0.36
H	48V DC	110 $\pm$ 7%	0.45	0.28



## SOLENOID OPERATED VALVES Continuous Duty Coils-ED 100%



TECHNICAL DATA	
Weight:	0.22 kg
HEAT INSULATION CLASS H: 356°F   (180°C)	
Ambient temperature range: -22+140°F   (-30+60°C)	
Available on request: Different Voltages - Different connectors.	
Inlet voltage fluctuations must not exceed $\pm 10\%$ of nominal voltage to obtain correct operation and long life of coils.	
CE approved	

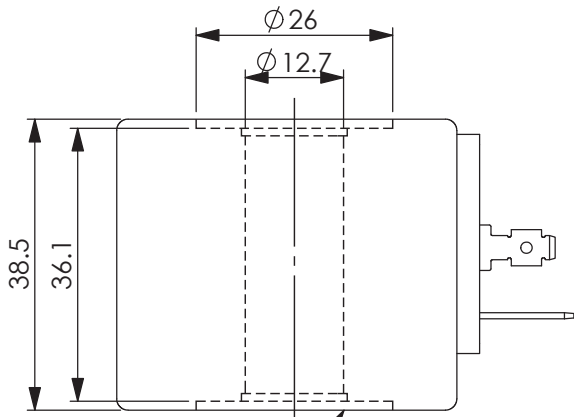
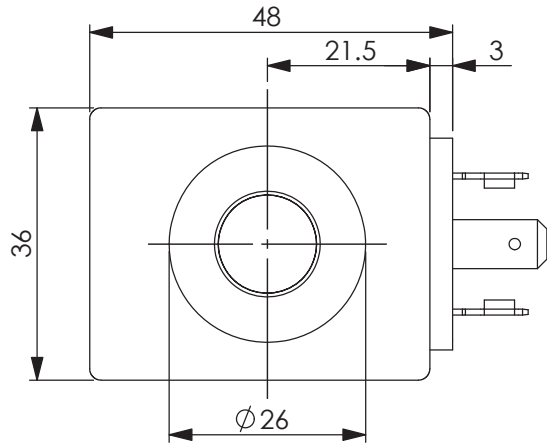
X	Power (W)	
200	20 Watt.	

Y	Connections	
K	AMP SUPERSEAL (V)	

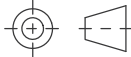
Z	Voltage (V)	Resistance ( $\Omega$ )	Current (A)	
	Nominal	20~25°C	Cold Coil	Hot Coil
F	10V DC	5.0 $\pm$ 8%	1.98	1.28
E	12V DC	7.5 $\pm$ 7%	1.66	1.06
N	20V DC	20 $\pm$ 7%	0.99	0.65
D	24V DC	28.6 $\pm$ 7%	0.88	0.53
G	26V DC	34.2 $\pm$ 7%	0.77	0.52
J	28V DC	39.2 $\pm$ 7%	0.71	0.50
L	36V DC	64 $\pm$ 7%	0.56	0.36
H	48V DC	110 $\pm$ 7%	0.45	0.28

## SOLENOID OPERATED VALVES Continuous Duty Coils-ED 100%

Ordering Code: **EC-04W-X-Y-Z-B**

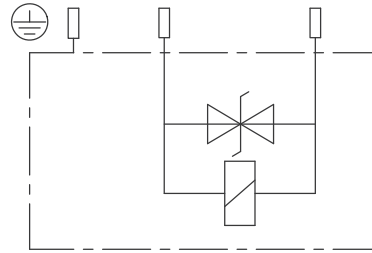


While installing, please be sure that this side is toward to the solenoid cartridge valve.



UNIT:mm

B CIRCUIT WITH VDR



### TECHNICAL DATA

Weight: 0.22 kg

HEAT INSULATION CLASS H:  
356°F | (180°C)

Ambient temperature range:  
-22+140°F | (-30+60°C)

Available on request:  
Different Voltages -  
Different connectors.

Inlet voltage fluctuations must not exceed  $\pm 10\%$  of nominal voltage to obtain correct operation and long life of coils.

Recommend :  
For proportional valve application.  
Please use the coil without VDR

CE approved

X	Power (W)	
200	20 Watt.	

Y	Connections	
H	DIN43650-ISO4400	

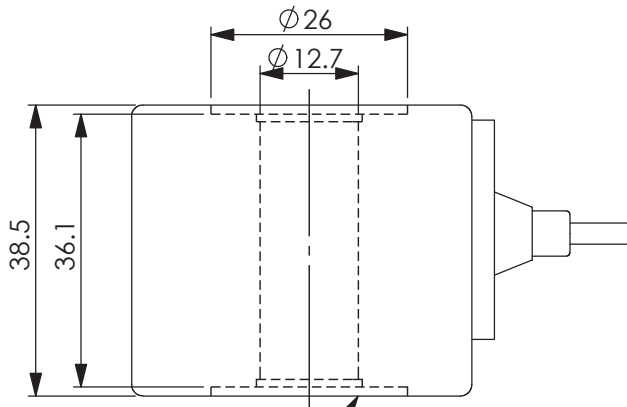
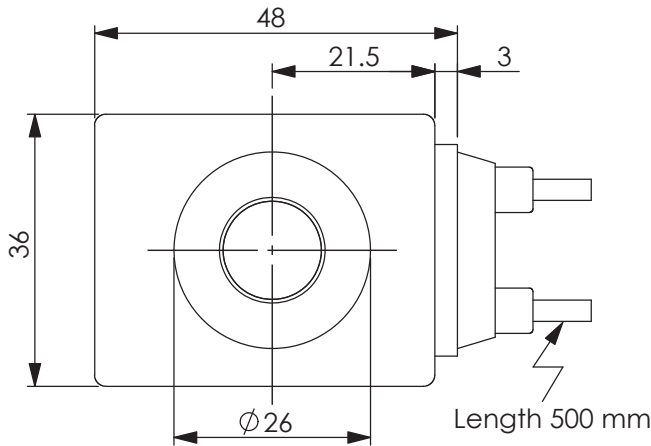
Z	Voltage (V)	Resistance ( $\Omega$ )	Current (A)	
	Nominal	20~25 °C	Cold Coil	Hot Coil
D	24V DC	28.6 $\pm$ 7%	0.88	0.53
H	48V DC	110 $\pm$ 7%	0.45	0.28



## SOLENOID OPERATED VALVES Continuous Duty Coils-ED 100%

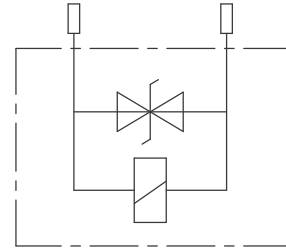
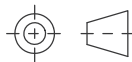
Ordering Code: **EC-04W-X-Y-Z-B**

B CIRCUIT WITH VDR



UNIT:mm

While installing, please be sure that this side is toward to the solenoid cartridge valve.



### TECHNICAL DATA

Weight: 0.22 kg

HEAT INSULATION CLASS H:  
356°F | (180°C)

Ambient temperature range:  
-22+140°F | (-30+60°C)

Available on request:  
Different Voltages -  
Different connectors.

Inlet voltage fluctuations must not exceed  $\pm 10\%$  of nominal voltage to obtain correct operation and long life of coils.

Recommend :  
For proportional valve application.  
Please use the coil without VDR

**CE** approved

X	Power (W)		Y	Connections	
200	20 Watt.		C	DOUBLE LEAD	

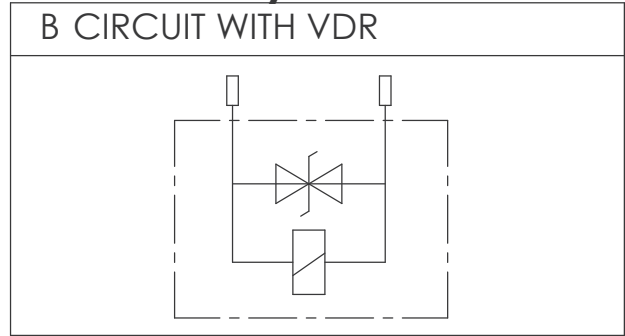
Z	Voltage (V)	Resistance ( $\Omega$ )	Current (A)	
	Nominal	20~25 °C	Cold Coil	Hot Coil
H	48V DC	110 $\pm$ 7%	0.45	0.28

## SOLENOID OPERATED VALVES Continuous Duty Coils-ED 100%

Ordering Code: **EC-04W-X-Y-Z-B**

While installing, please be sure that this side is toward to the solenoid cartridge valve.

UNIT:mm



TECHNICAL DATA	
Weight:	0.22 kg
HEAT INSULATION CLASS H: 356°F   (180°C)	
Ambient temperature range: -22+140°F   (-30+60°C)	
Available on request: Different Voltages - Different connectors.	
Inlet voltage fluctuations must not exceed $\pm 10\%$ of nominal voltage to obtain correct operation and long life of coils.	
CE approved	

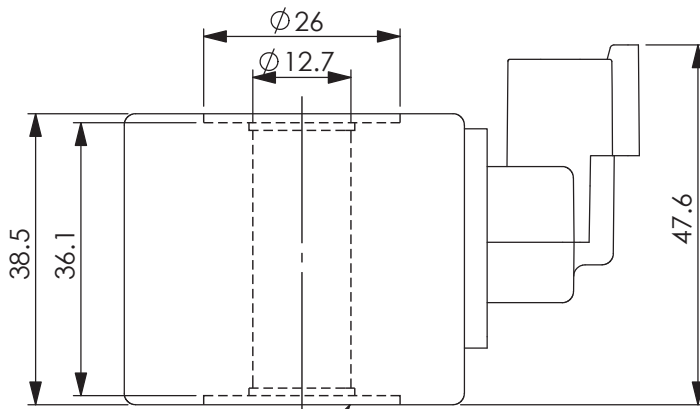
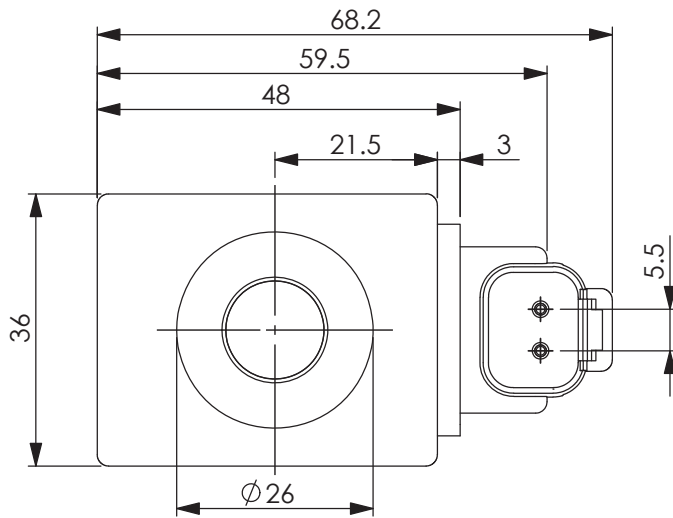
X	Power (W)
<b>200</b>	20 Watt.

Y	Connections
<b>A</b>	AMP JUNIOR (L)

Z	Voltage (V)	Resistance ( $\Omega$ )	Current (A)	
	Nominal	20~25 °C	Cold Coil	Hot Coil
<b>E</b>	12V DC	7.5 $\pm$ 7%	1.66	1.06
<b>D</b>	24V DC	28.6 $\pm$ 7%	0.88	0.53
<b>H</b>	48V DC	110 $\pm$ 7%	0.45	0.28

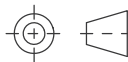
## SOLENOID OPERATED VALVES Continuous Duty Coils-ED 100%

Ordering Code: **EC-04W-X-Y-Z-B**

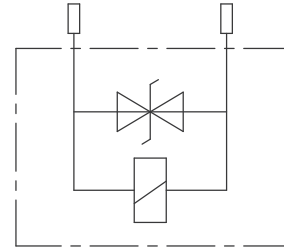


While installing, please be sure that this side is toward to the solenoid cartridge valve.

UNIT:mm



B CIRCUIT WITH VDR



### TECHNICAL DATA

Weight: 0.22 kg

HEAT INSULATION CLASS H:  
356°F (180°C)

Ambient temperature range:  
-22+140°F (-30+60°C)

Available on request:  
Different Voltages -  
Different connectors.

Inlet voltage fluctuations must not exceed  $\pm 10\%$  of nominal voltage to obtain correct operation and long life of coils.

Recommend :  
For proportional valve application.  
Please use the coil without VDR

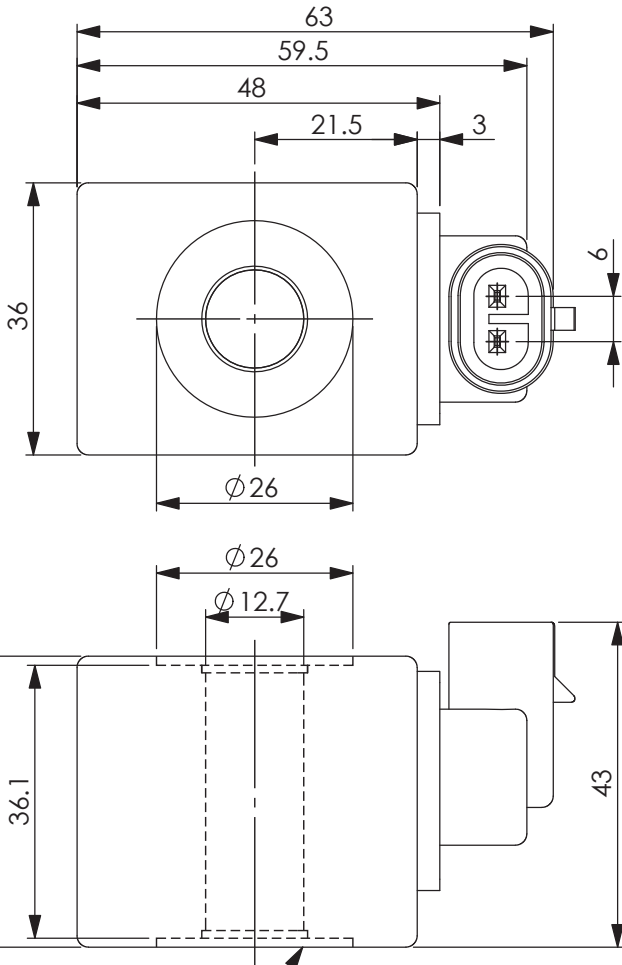
CE approved

X	Power (W)		Y	Connections	
200	20 Watt.		F	DEUTSCH DT04-2P(V)	

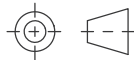
Z	Voltage (V)	Resistance ( $\Omega$ )	Current (A)	
	Nominal	20~25 °C	Cold Coil	Hot Coil
G	26V DC	34.2 $\pm$ 7%	0.77	0.52
H	48V DC	110 $\pm$ 7%	0.45	0.28

## SOLENOID OPERATED VALVES Continuous Duty Coils-ED 100%

Ordering Code: **EC-04W-X-Y-Z-B**

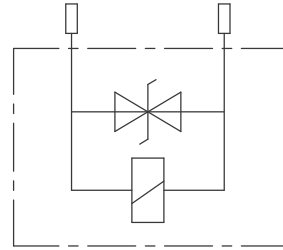


While installing, please be sure that this side is toward to the solenoid cartridge valve.



UNIT:mm

B CIRCUIT WITH VDR



### TECHNICAL DATA

Weight: 0.22 kg

HEAT INSULATION CLASS H:  
356°F | (180°C)

Ambient temperature range:  
-22+140°F | (-30+60°C)

Available on request:  
Different Voltages -  
Different connectors.

Inlet voltage fluctuations must not exceed  $\pm 10\%$  of nominal voltage to obtain correct operation and long life of coils.

Recommend :  
For proportional valve application.  
Please use the coil without VDR

**CE** approved

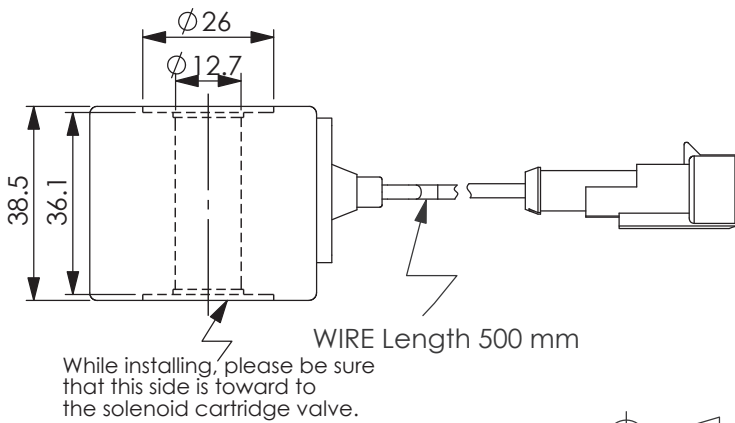
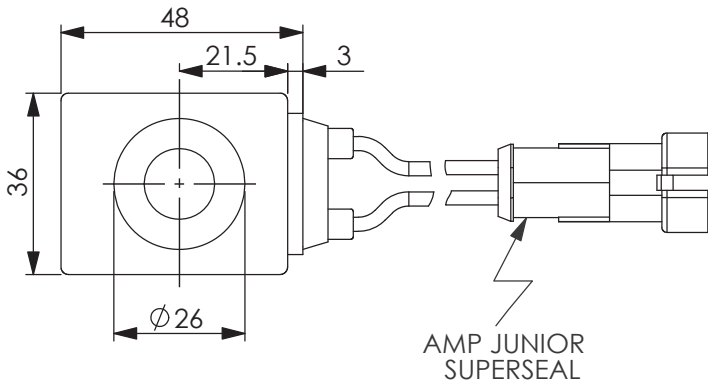
X	Power (W)	
200	20 Watt.	

Y	Connections	
K	AMP SUPERSEAL (V)	

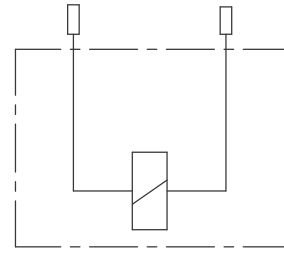
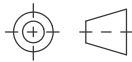
Z	Voltage (V)	Resistance ( $\Omega$ )	Current (A)	
	Nominal	20~25 °C	Cold Coil	Hot Coil
H	48V DC	110 $\pm$ 7%	0.45	0.28

## SOLENOID OPERATED VALVES Continuous Duty Coils-ED 100%

Ordering Code: **EC-04W-X-Y-Z-D500**



UNIT:mm



### TECHNICAL DATA

Weight: 0.22 kg

HEAT INSULATION CLASS H:  
356°F | (180°C)

Ambient temperature range:  
-22+140°F | (-30+60°C)

Available on request:  
Different Voltages -  
Different connectors.

Inlet voltage fluctuations must not exceed  $\pm 10\%$  of nominal voltage to obtain correct operation and long life of coils.

CE approved

X	Power (W)		Y	Connections	
200	20 Watt.		C	DOUBLE LEAD	

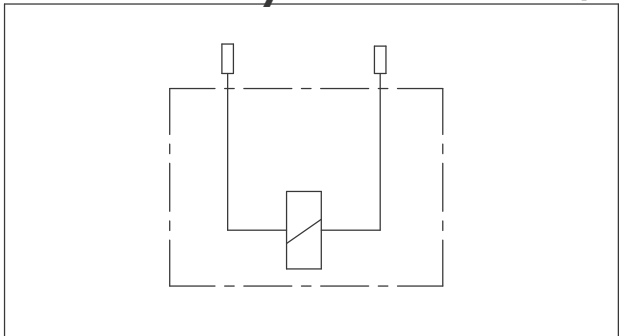
Z	Voltage (V)	Resistance ( $\Omega$ )	Current (A)	
	Nominal	20~25 °C	Cold Coil	Hot Coil
E	12V DC	7.5 $\pm$ 7%	1.66	1.06
D	24V DC	28.6 $\pm$ 7%	0.88	0.53
J	28V DC	39.2 $\pm$ 7%	0.71	0.50

## SOLENOID OPERATED VALVES Continuous Duty Coils-ED 100%

Ordering Code: **EC-04W-X-Y-Z-A400**

While installing, please be sure that this side is toward to the solenoid cartridge valve.

UNIT:mm



TECHNICAL DATA	
Weight:	0.22 kg
HEAT INSULATION CLASS H: 356°F   (180°C)	
Ambient temperature range: -22+140°F   (-30+60°C)	
Available on request: Different Voltages - Different connectors.	
Inlet voltage fluctuations must not exceed $\pm 10\%$ of nominal voltage to obtain correct operation and long life of coils.	
CE approved	

X	Power (W)
<b>200</b>	20 Watt.

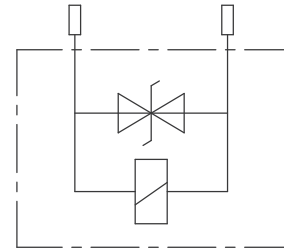
Y	Connections
<b>C</b>	DOUBLE LEAD

Z	Voltage (V)	Resistance ( $\Omega$ )	Current (A)	
	Nominal	20~25 °C	Cold Coil	Hot Coil
<b>E</b>	12V DC	7.5 $\pm$ 7%	1.66	1.06
<b>D</b>	24V DC	28.6 $\pm$ 7%	0.88	0.53

## SOLENOID OPERATED VALVES Continuous Duty Coils-ED 100%

Ordering Code: **EC-04W-X-Y-Z-B200-B**

B CIRCUIT WITH VDR



### TECHNICAL DATA

Weight: 0.22 kg

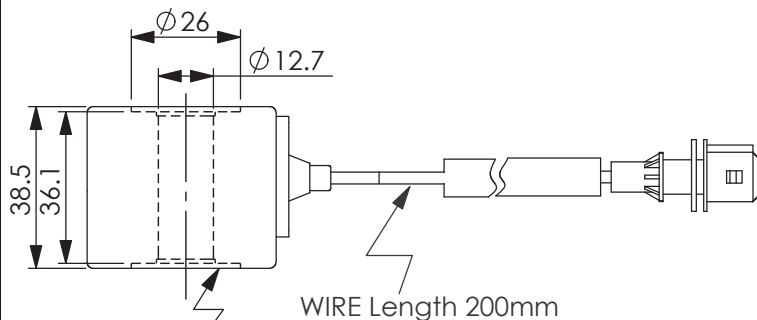
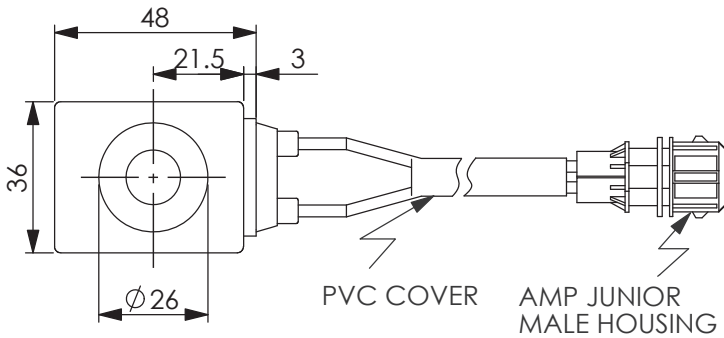
HEAT INSULATION CLASS H:  
356°F (180°C)

Ambient temperature range:  
-22+140°F (-30+60°C)

Available on request:  
Different Voltages -  
Different connectors.

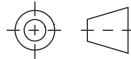
Inlet voltage fluctuations must not exceed  $\pm 10\%$  of nominal voltage to obtain correct operation and long life of coils.

CE approved



While installing, please be sure that this side is toward to the solenoid cartridge valve.

UNIT:mm

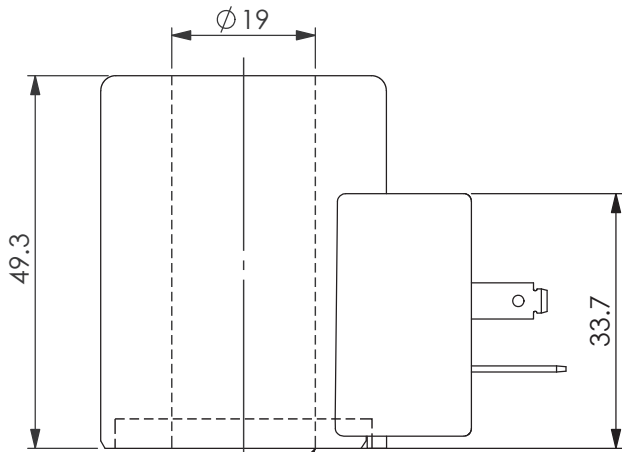
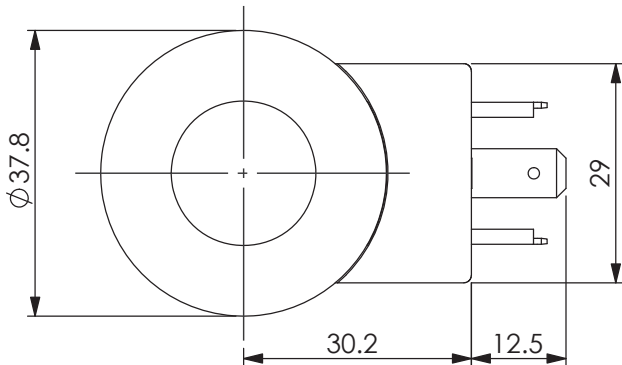


X	Power (W)		Y	Connections	
200	20 Watt.		C	DOUBLE LEAD	

Z	Voltage (V)	Resistance ( $\Omega$ )	Current (A)	
	Nominal	20~25 °C	Cold Coil	Hot Coil
D	24V DC	28.6 $\pm$ 7%	0.88	0.53
H	48V DC	110 $\pm$ 7%	0.45	0.28



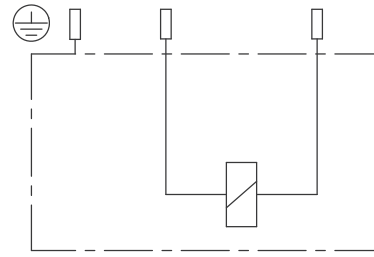
Ordering Code: **EC-19A-X-Y-Z**



While installing, please be sure that this side is toward to the solenoid cartridge valve.



UNIT:mm



### TECHNICAL DATA

Weight: 0.24 kg

HEAT INSULATION CLASS H:  
356°F | (180°C)

Ambient temperature range:  
-22+122°F | (-30+50°C)

Available on request:  
Different Voltages -  
Different connectors.

Inlet voltage fluctuations must not exceed  $\pm 10\%$  of nominal voltage to obtain correct operation and long life of coils.

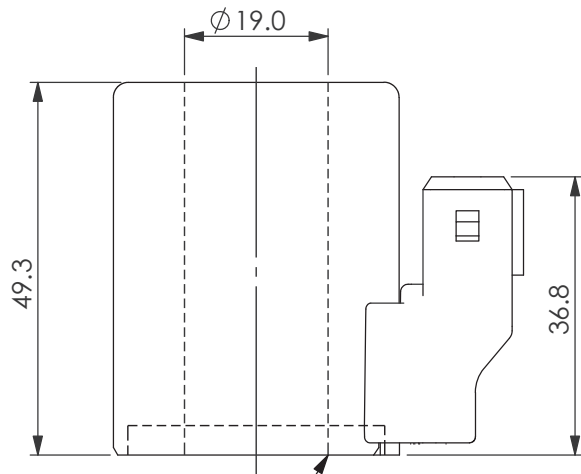
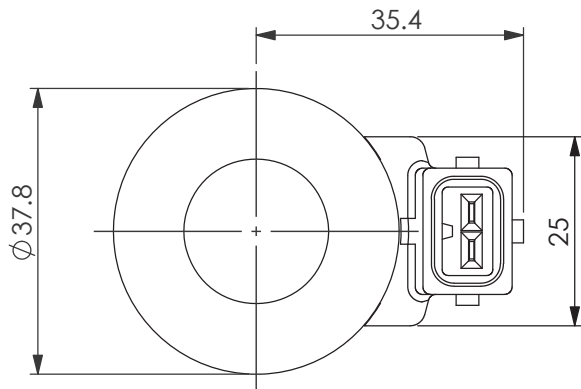
Connector Environment Rating: IP65

X	Power (W)	
220	22 Watt.	

Y	Connections	
H	DIN43650-ISO4400	

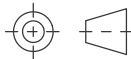
Z	Voltage (V)	Resistance ( $\Omega$ )	Maximum Current (Proportional Control)
	Nominal	20~25 °C	
E	12V DC	6.4 $\pm$ 8%	1150 mA
D	24V DC	26.2 $\pm$ 5%	590 mA

Ordering Code: **EC-19A-X-Y-Z**



UNIT:mm

While installing, please be sure that this side is toward to the solenoid cartridge valve.



### TECHNICAL DATA

Weight: 0.23 kg

HEAT INSULATION CLASS H:  
356°F | (180°C)

Ambient temperature range:  
-22+122°F | (-30+50°C)

Available on request:  
Different Voltages -  
Different connectors.

Inlet voltage fluctuations must not exceed  $\pm 10\%$  of nominal voltage to obtain correct operation and long life of coils.

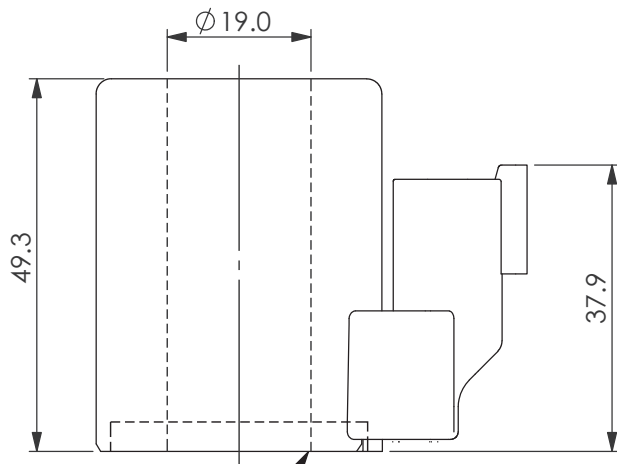
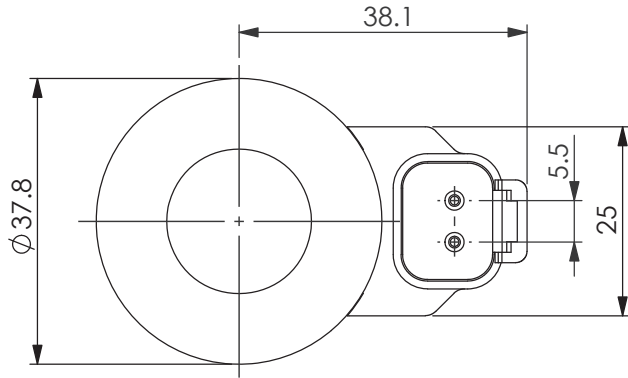
Connector Environment Rating: IP67

X	Power (W)	
220	22 Watt.	

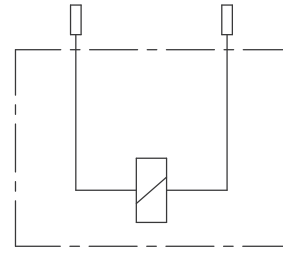
Y	Connections	
B	AMP JUNIOR TIMER (Vertical)	

Z	Voltage (V)	Resistance ( $\Omega$ )	Maximum Current (Proportional Control)
	Nominal	20~25 °C	
E	12V DC	6.4 $\pm$ 8%	1150 mA
D	24V DC	26.2 $\pm$ 5%	590 mA

Ordering Code: **EC-19A-X-Y-Z**



UNIT:mm



### TECHNICAL DATA

Weight: 0.23 kg

HEAT INSULATION CLASS H:  
356°F | (180°C)

Ambient temperature range:  
-22+122°F | (-30+50°C)

Available on request:  
Different Voltages -  
Different connectors.

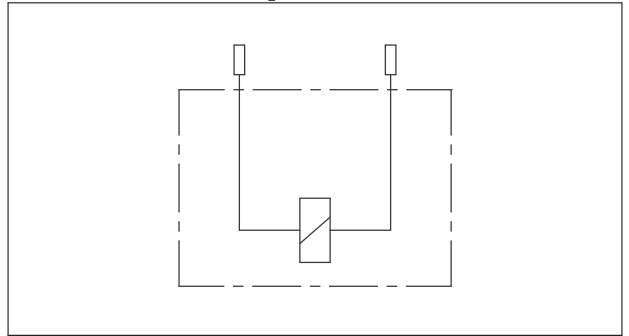
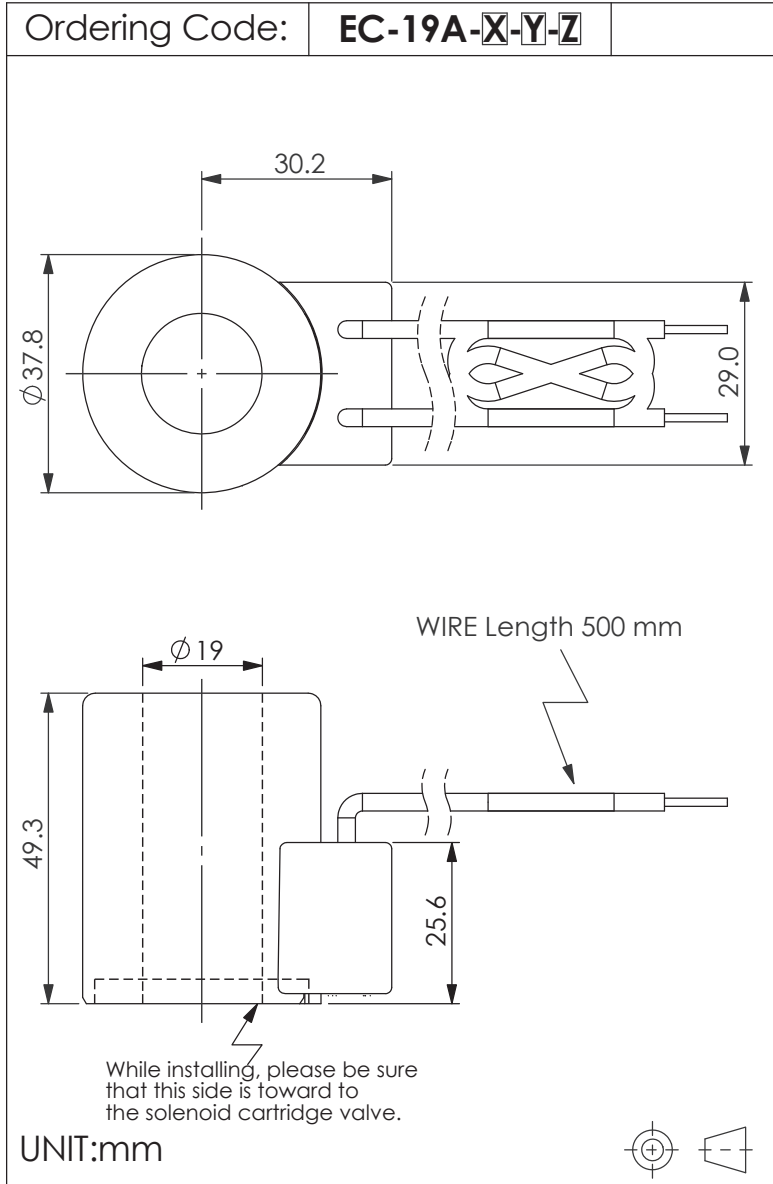
Inlet voltage fluctuations must not exceed  $\pm 10\%$  of nominal voltage to obtain correct operation and long life of coils.

Connector Environment Rating: IP69K

X	Power (W)	
220	22 Watt.	

Y	Connections	
F	DEUTSCH DT04-2P (Vertical)	

Z	Voltage (V)	Resistance ( $\Omega$ )	Maximum Current (Proportional Control)
	Nominal	20~25 °C	
E	12V DC	6.4 $\pm$ 8%	1150 mA
D	24V DC	26.2 $\pm$ 5%	590 mA



### TECHNICAL DATA

Weight: 0.24 kg

HEAT INSULATION CLASS H:  
356°F (180°C)

Ambient temperature range:  
-22+122°F (-30+50°C)

Available on request:  
Different Voltages -  
Different connectors.

Inlet voltage fluctuations must not exceed  $\pm 10\%$  of nominal voltage to obtain correct operation and long life of coils.

Connector Environment Rating: IP65

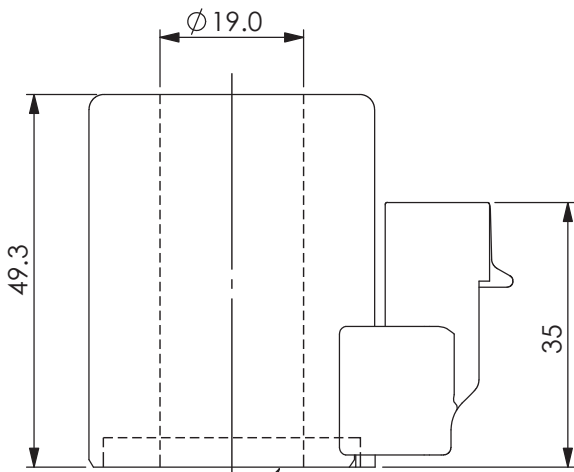
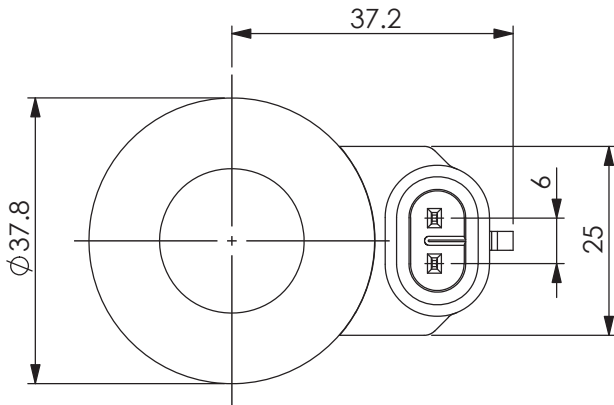
X	Power (W)
220	22 Watt.

Y	Connections
D	DOUBLE LEAD (Vertical)

Z	Voltage (V)	Resistance ( $\Omega$ )	Maximum Current (Proportional Control)
	Nominal	20~25 °C	
E	12V DC	6.4 $\pm$ 8%	1150 mA
D	24V DC	26.2 $\pm$ 5%	590 mA

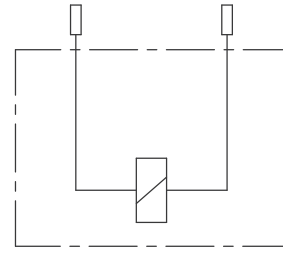
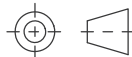
## SOLENOID OPERATED VALVES Continuous Duty Coils-ED 100%

Ordering Code: **EC-19A-X-Y-Z**



While installing, please be sure that this side is toward to the solenoid cartridge valve.

UNIT:mm



### TECHNICAL DATA

Weight: 0.23 kg

HEAT INSULATION CLASS H:  
356°F | (180°C)

Ambient temperature range:  
-22+122°F | (-30+50°C)

Available on request:  
Different Voltages -  
Different connectors.

Inlet voltage fluctuations must not exceed  $\pm 10\%$  of nominal voltage to obtain correct operation and long life of coils.

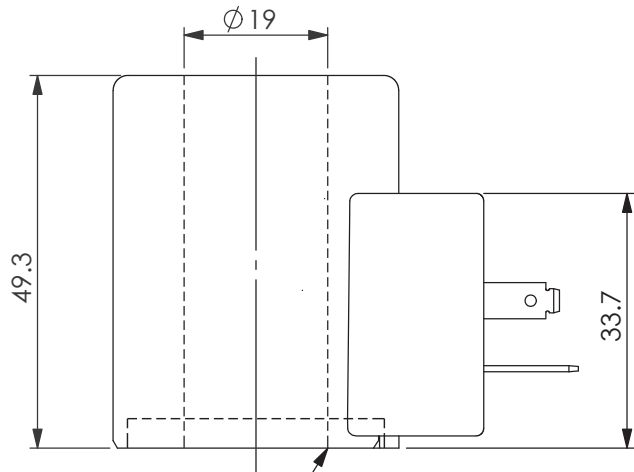
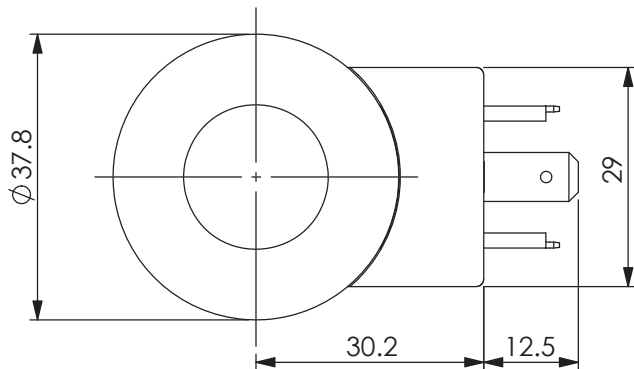
Connector Environment Rating: IP69K

X	Power (W)	
220	22 Watt.	

Y	Connections	
M	METRIPACK Series 150-2M (Vertical)	

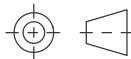
Z	Voltage (V)	Resistance ( $\Omega$ )	Maximum Current (Proportional control)
	Nominal	20~25 °C	
E	12V DC	6.4 $\pm$ 8%	1150 mA
D	24V DC	26.2 $\pm$ 5%	590 mA

Ordering Code: **EC-19A-X-Y-Z-B**

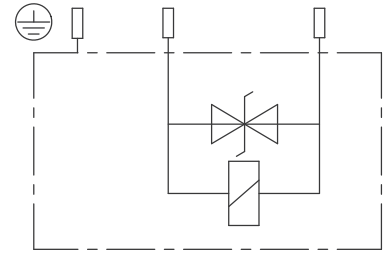


While installing, please be sure that this side is toward to the solenoid cartridge valve.

UNIT:mm



B CIRCUIT WITH VDR



### TECHNICAL DATA

Weight: 0.24 kg

HEAT INSULATION CLASS H:  
356°F | (180°C)

Ambient temperature range:  
-22+122°F | (-30+50°C)

Available on request:  
Different Voltages -  
Different connectors.

Inlet voltage fluctuations must not exceed  $\pm 10\%$  of nominal voltage to obtain correct operation and long life of coils.

Recommend :  
For proportional valve application.  
Please use the coil without VDR

Connector Environment Rating: IP65

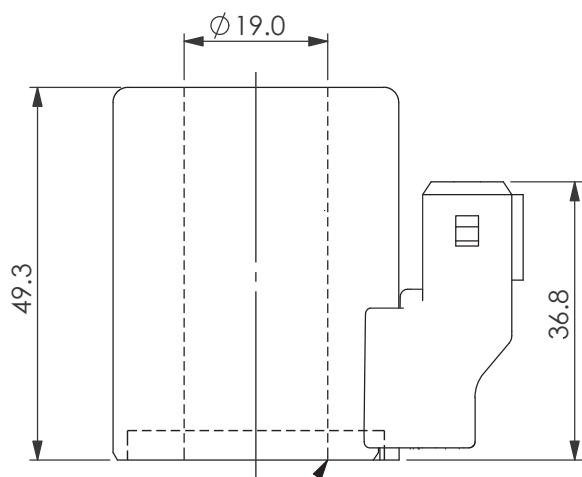
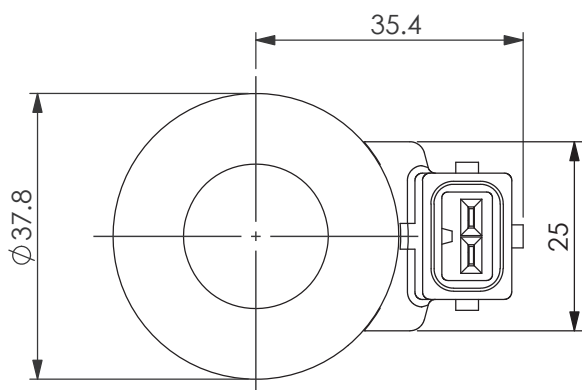
X	Power (W)	
220	22 Watt.	

Y	Connections	
H	DIN43650-ISO4400	

Z	Voltage (V)	Resistance ( $\Omega$ )	Maximum Current (Proportional Control)
	Nominal	20~25 °C	
E	12V DC	6.4 $\pm$ 8%	1150 mA
D	24V DC	26.2 $\pm$ 5%	590 mA

## SOLENOID OPERATED VALVES Continuous Duty Coils-ED 100%

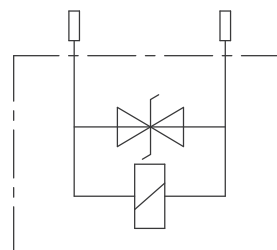
Ordering Code: **EC-19A-X-Y-Z-B**



While installing, please be sure that this side is toward to the solenoid cartridge valve.

UNIT:mm

B CIRCUIT WITH VDR



### TECHNICAL DATA

Weight: 0.23 kg

HEAT INSULATION CLASS H:  
356°F | (180°C)

Ambient temperature range:  
-22+122°F | (-30+50°C)

Available on request:  
Different Voltages -  
Different connectors.

Inlet voltage fluctuations must not exceed  $\pm 10\%$  of nominal voltage to obtain correct operation and long life of coils.

Recommend :  
For proportional valve application.  
Please use the coil without VDR

Connector Environment Rating: IP67

X	Power (W)	
220	22 Watt.	

Y	Connections	
B	AMP JUNIOR TIMER (Vertical)	

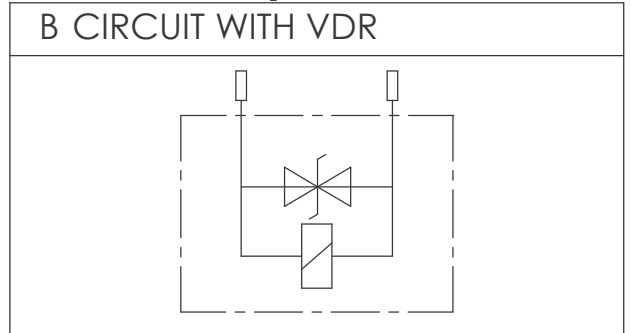
Z	Voltage (V)	Resistance ( $\Omega$ )	Maximum Current (Proportional Control)
	Nominal	20~25 °C	
E	12V DC	6.4 $\pm$ 8%	1150 mA
D	24V DC	26.2 $\pm$ 5%	590 mA



Ordering Code: **EC-19A-X-Y-Z-B**

While installing, please be sure that this side is toward to the solenoid cartridge valve.

UNIT:mm



TECHNICAL DATA	
Weight:	0.23 kg
HEAT INSULATION CLASS H:	
356°F	(180°C)
Ambient temperature range:	
-22+122°F	(-30+50°C)
Available on request: Different Voltages - Different connectors.	
Inlet voltage fluctuations must not exceed $\pm 10\%$ of nominal voltage to obtain correct operation and long life of coils.	
Recommend : For proportional valve application. Please use the coil without VDR	
Connector Environment Rating: IP69K	

X	Power (W)	
220	22 Watt.	

Y	Connections	
F	DEUTSCH DT04-2P (Vertical)	

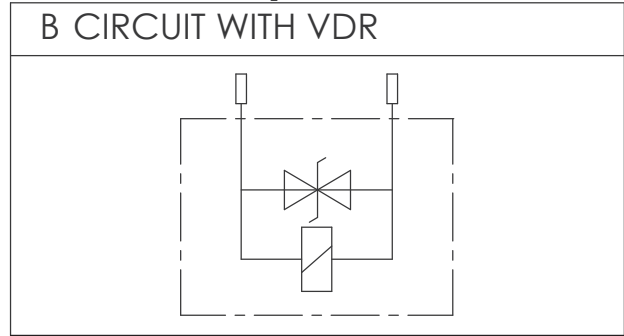
Z	Voltage (V)	Resistance ( $\Omega$ )	Maximum Current (Proportional Control)
	Nominal	20~25 °C	
E	12V DC	6.4±8%	1150 mA
D	24V DC	26.2±5%	590 mA

## SOLENOID OPERATED VALVES Continuous Duty Coils-ED 100%

Ordering Code: **EC-19A-X-Y-Z-B**

While installing, please be sure that this side is toward to the solenoid cartridge valve.

UNIT:mm



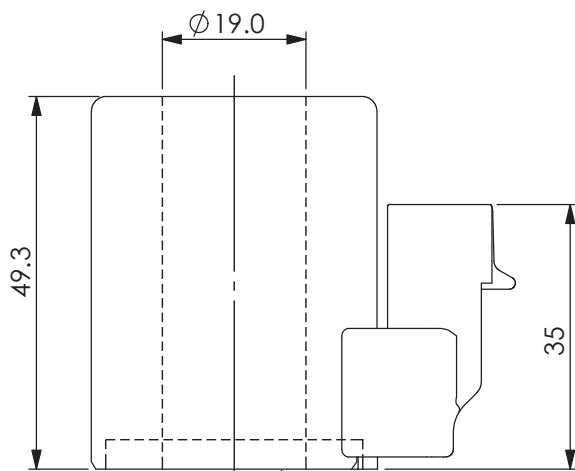
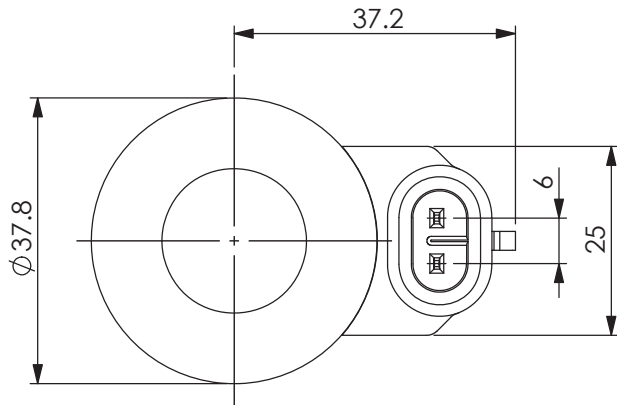
TECHNICAL DATA	
Weight:	0.24 kg
HEAT INSULATION CLASS H:	
356°F	(180°C)
Ambient temperature range:	
-22+122°F	(-30+50°C)
Available on request: Different Voltages - Different connectors.	
Inlet voltage fluctuations must not exceed ± 10% of nominal voltage to obtain correct operation and long life of coils.	
Recommend : For proportional valve application. Please use the coil without VDR	
Connector Environment Rating: IP65	

X	Power (W)
220	22 Watt.

Y	Connections
D	DOUBLE LEAD (Vertical)

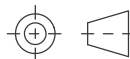
Z	Voltage (V)	Resistance (Ω)	Maximum Current (Proportional Control)
	Nominal	20~25 °C	
E	12V DC	6.4±8%	1150 mA
D	24V DC	26.2±5%	590 mA

Ordering Code: **EC-19A-X-Y-Z-B**

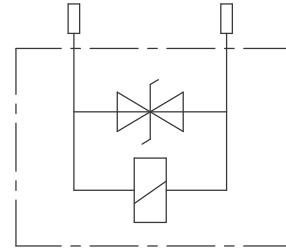


UNIT:mm

While installing, please be sure that this side is toward to the solenoid cartridge valve.



B CIRCUIT WITH VDR



### TECHNICAL DATA

Weight: 0.23 kg

HEAT INSULATION CLASS H:  
356°F | (180°C)

Ambient temperature range:  
-22+122°F | (-30+50°C)

Available on request:  
Different Voltages -  
Different connectors.

Inlet voltage fluctuations must not exceed  $\pm 10\%$  of nominal voltage to obtain correct operation and long life of coils.

Recommend :  
For proportional valve application.  
Please use the coil without VDR

Connector Environment Rating: IP69K

X	Power (W)	
220	22 Watt.	

Y	Connections	
M	METRIPACK Series 150-2M (Vertical)	

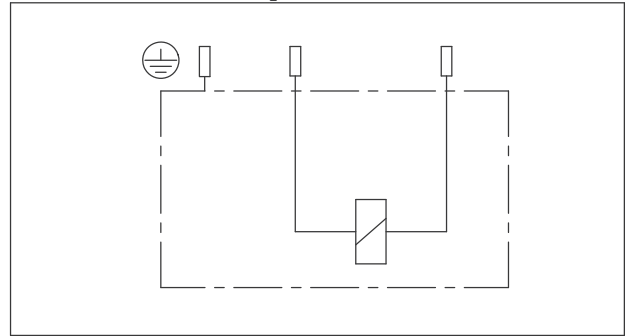
Z	Voltage (V)	Resistance ( $\Omega$ )	Maximum Current (Proportional control)
	Nominal	20~25 °C	
E	12V DC	6.4 $\pm$ 8%	1150 mA
D	24V DC	26.2 $\pm$ 5%	590 mA

## SOLENOID OPERATED VALVES Continuous Duty Coils-ED 100%

Ordering Code: **EC-16B-X-Y-Z**

While installing, please be sure that this side is toward to the solenoid cartridge valve.

UNIT:mm

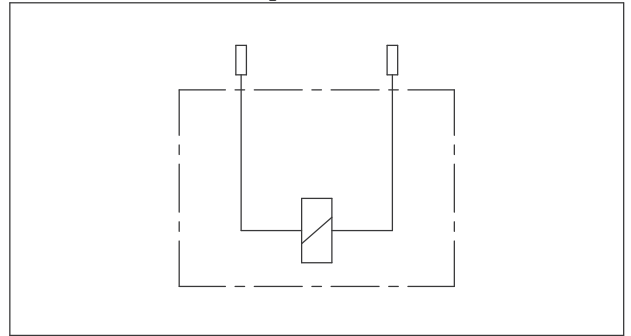
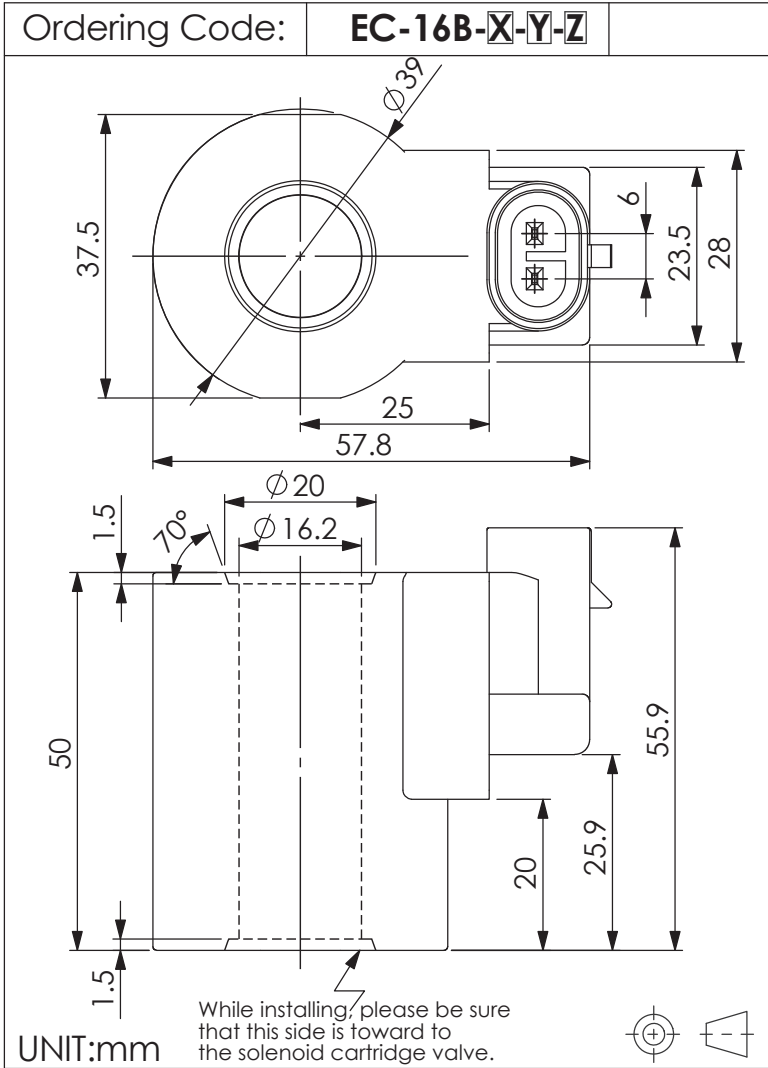


TECHNICAL DATA	
Weight:	0.24kg
HEAT INSULATION CLASS H:	
356°F	(180°C)
Ambient temperature range:	
-22+122°F	(-30+50°C)
Available on request:	
Different Voltages - Different connectors.	
Inlet voltage fluctuations must not exceed $\pm 10\%$ of nominal voltage to obtain correct operation and long life of coils.	

X	Power (W)
260	26 Watt.

Y	Connections
H	DIN43650-ISO4400

Z	Voltage (V)	Resistance ( $\Omega$ )	Current (A)	
	Nominal	20~25 °C	Cold Coil	Hot Coil
B	110V RAC	370 $\pm$ 7%	0.25	0.17
A	220V RAC	1410 $\pm$ 7%	0.12	0.09
E	12V DC	5.5 $\pm$ 7%	2.05	1.43
D	24V DC	21.0 $\pm$ 7%	1.10	0.75



### TECHNICAL DATA

Weight: 0.24kg

HEAT INSULATION CLASS H:  
356°F (180°C)

Ambient temperature range:  
-22+122°F (-30+50°C)

Available on request:

Different Voltages -  
Different connectors.

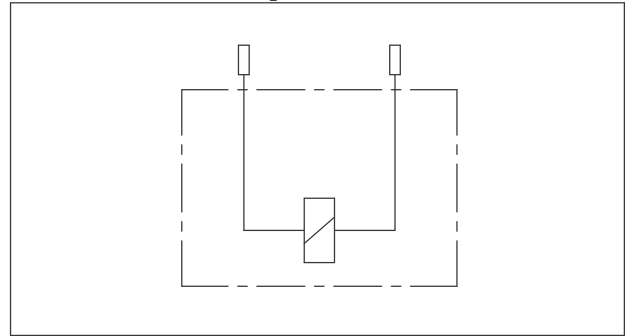
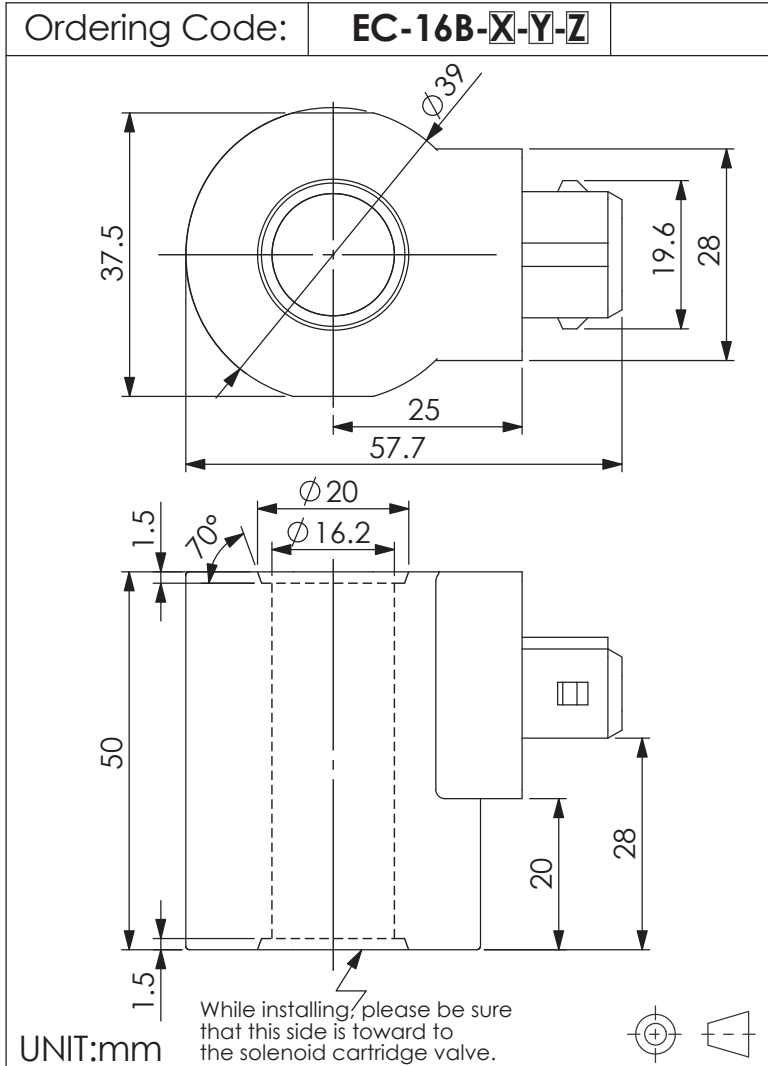
Inlet voltage fluctuations must not exceed  $\pm 10\%$  of nominal voltage to obtain correct operation and long life of coils.

X	Power (W)	
260	26 Watt.	

Y	Connections	
K	AMP SUPERSEAL (V)	

Z	Voltage (V)	Resistance ( $\Omega$ )	Current (A)	
	Nominal	20~25 °C	Cold Coil	Hot Coil
E	12V DC	5.5 $\pm$ 7%	2.05	1.43
D	24V DC	21.0 $\pm$ 7%	1.10	0.75

## SOLENOID OPERATED VALVES Continuous Duty Coils-ED 100%



### TECHNICAL DATA

Weight: 0.24 kg

HEAT INSULATION CLASS H:  
356°F (180°C)

Ambient temperature range:  
-22+122°F (-30+50°C)

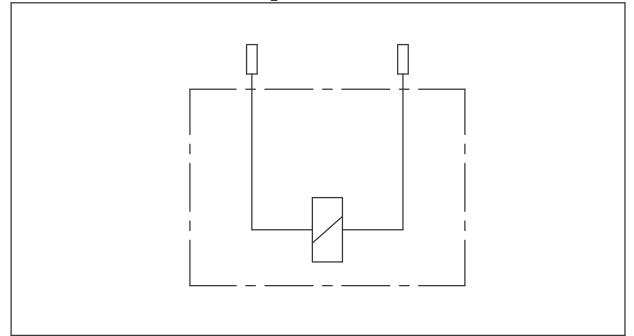
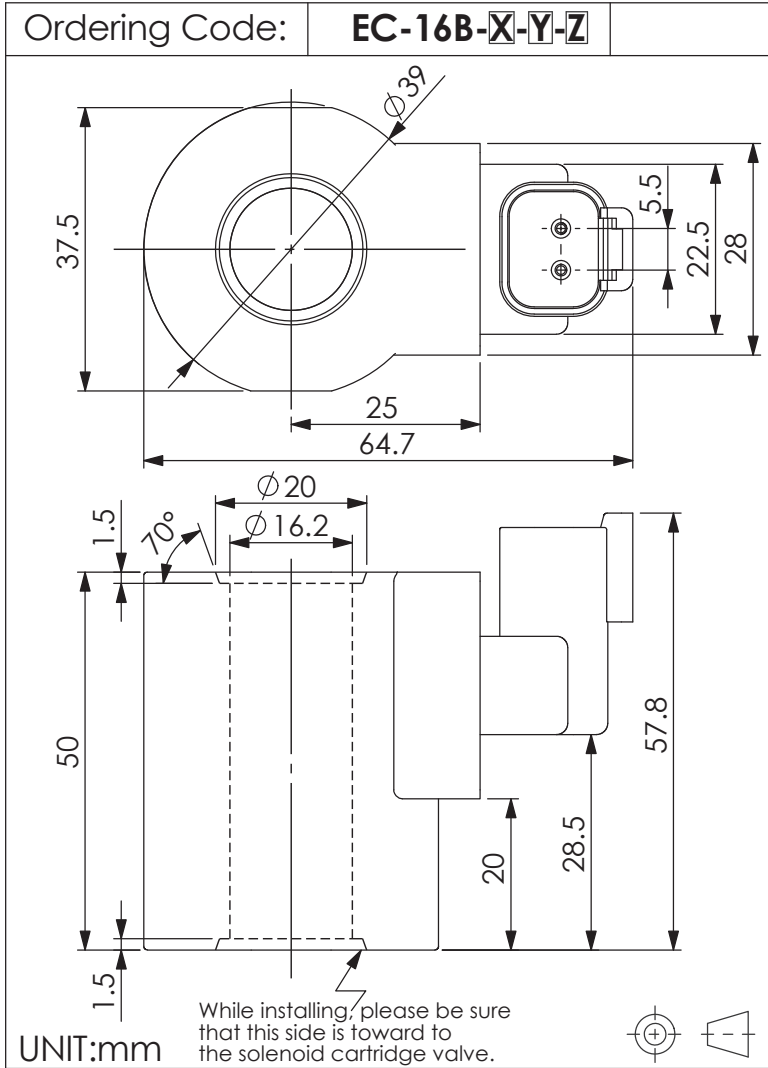
Available on request:

Different Voltages -  
Different connectors.

Inlet voltage fluctuations must not exceed  $\pm 10\%$  of nominal voltage to obtain correct operation and long life of coils.

X	Power (W)		Y	Connections	
260	26 Watt.		A	AMP JUNIOR (L)	

Z	Voltage (V)	Resistance ( $\Omega$ )	Current (A)	
	Nominal	20~25 °C	Cold Coil	Hot Coil
E	12V DC	5.5 $\pm$ 7%	2.05	1.43
D	24V DC	21.0 $\pm$ 7%	1.10	0.75



### TECHNICAL DATA

Weight: 0.25 kg

HEAT INSULATION CLASS H:  
356°F (180°C)

Ambient temperature range:  
-22+122°F (-30+50°C)

Available on request:

Different Voltages -  
Different connectors.

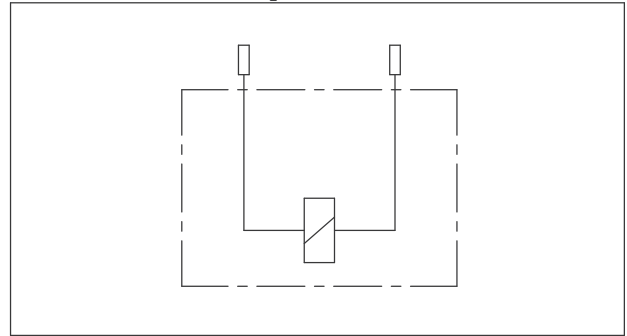
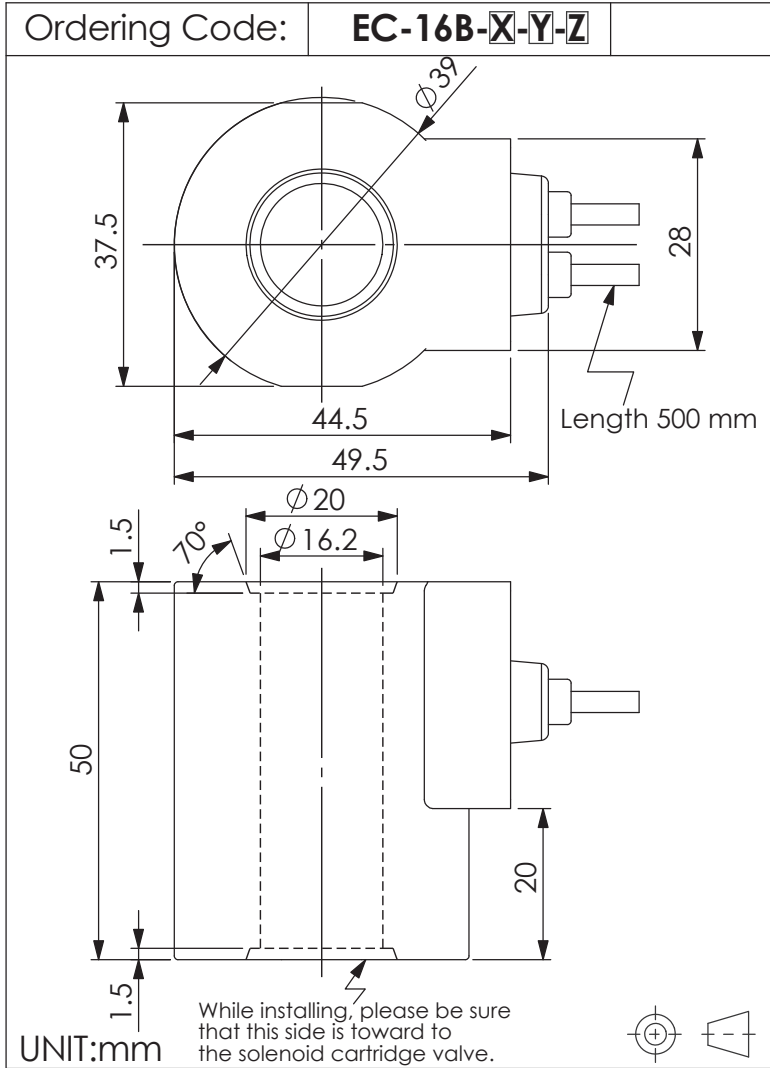
Inlet voltage fluctuations must not exceed  $\pm 10\%$  of nominal voltage to obtain correct operation and long life of coils.

X	Power (W)		Y	Connections	
260	26 Watt.		F	DEUTSCH DT04-2P (V)	

Z	Voltage (V)	Resistance ( $\Omega$ )	Current (A)	
	Nominal	20~25 °C	Cold Coil	Hot Coil
E	12V DC	5.5 $\pm$ 7%	2.05	1.43
D	24V DC	21.0 $\pm$ 7%	1.10	0.75



## SOLENOID OPERATED VALVES Continuous Duty Coils-ED 100%



### TECHNICAL DATA

Weight: 0.24 kg

HEAT INSULATION CLASS H:  
356°F (180°C)

Ambient temperature range:  
-22+122°F (-30+50°C)

Available on request:

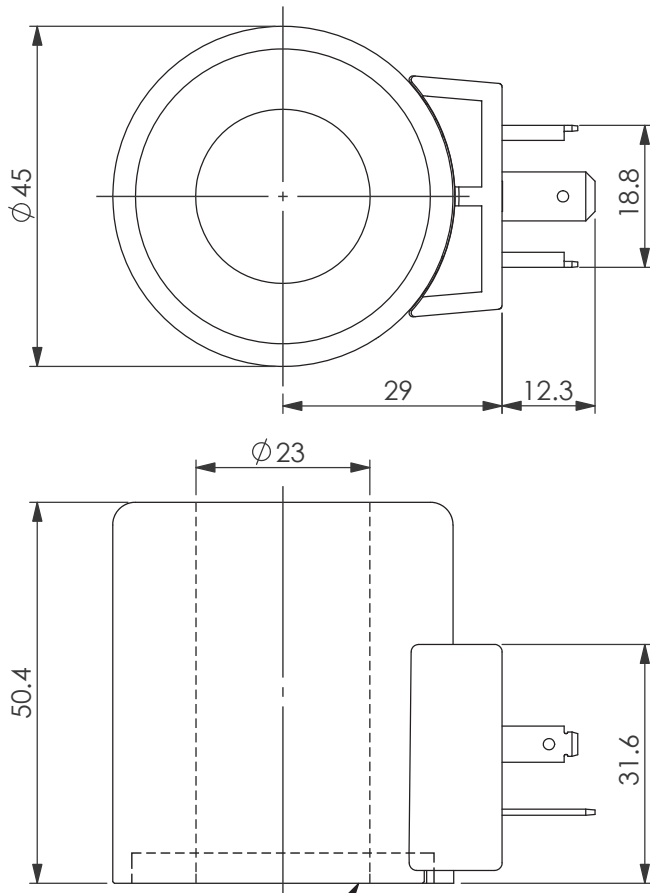
Different Voltages -  
Different connectors.

Inlet voltage fluctuations must not exceed  $\pm 10\%$  of nominal voltage to obtain correct operation and long life of coils.

X	Power (W)		Y	Connections	
260	26 Watt.		C	DOUBLE LEAD (L)	

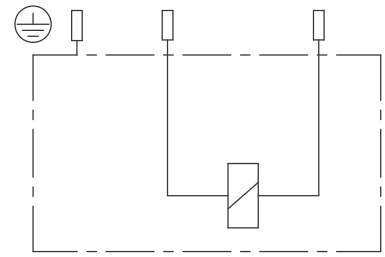
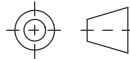
Z	Voltage (V)	Resistance ( $\Omega$ )	Current (A)	
	Nominal	20~25 °C	Cold Coil	Hot Coil
E	12V DC	5.5 $\pm$ 7%	2.05	1.43
D	24V DC	21.0 $\pm$ 7%	1.10	0.75

Ordering Code: **EC-23C-X-Y-Z**



UNIT:mm

While installing, please be sure that this side is toward to the solenoid cartridge valve.



### TECHNICAL DATA

Weight: 0.35 kg

HEAT INSULATION CLASS H:  
356°F (180°C)

Ambient temperature range:  
-22+140°F (-30+60°C)

Available on request:  
Different Voltages -  
Different connectors.

Inlet voltage fluctuations must not exceed  $\pm 10\%$  of nominal voltage to obtain correct operation and long life of coils.

Connector Environment Rating: IP65

X	Rating Power (W)		Y	Connections	
300	30 Watt.		H	DIN43650-ISO4400	

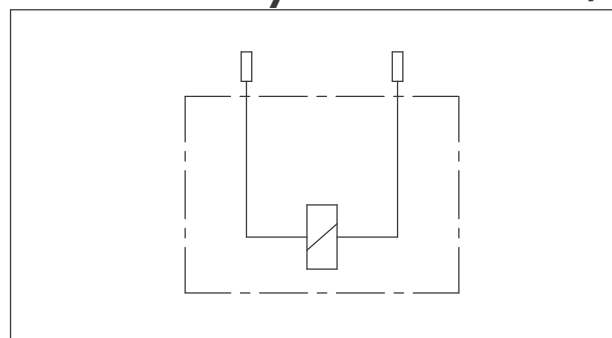
Z	Voltage (V)	Resistance ( $\Omega$ )	Maximum Current (Proportional Control)
	Nominal	20~25 °C	
E	12V DC	2.5 $\pm$ 7%	2600 mA
D	24V DC	19.2 $\pm$ 7%	940 mA

## SOLENOID OPERATED VALVES Continuous Duty Coils-ED 100%

Ordering Code: **EC-23C-X-Y-Z**

While installing, please be sure that this side is toward to the solenoid cartridge valve.

UNIT:mm



TECHNICAL DATA	
Weight:	0.35 kg
HEAT INSULATION CLASS H:	
356°F	(180°C)
Ambient temperature range:	
-22+140°F	(-30+60°C)
Available on request: Different Voltages - Different connectors.	
Inlet voltage fluctuations must not exceed ± 10% of nominal voltage to obtain correct operation and long life of coils.	
Connector Environment Rating: IP67	

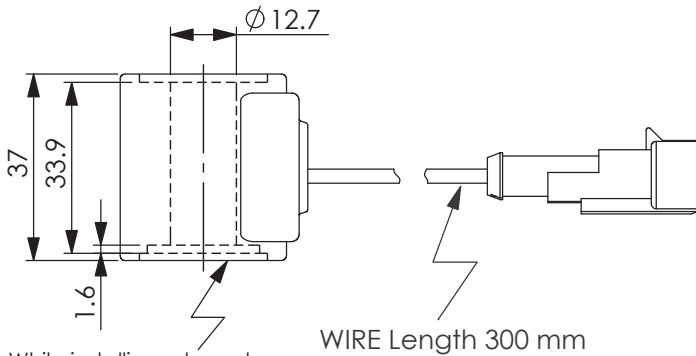
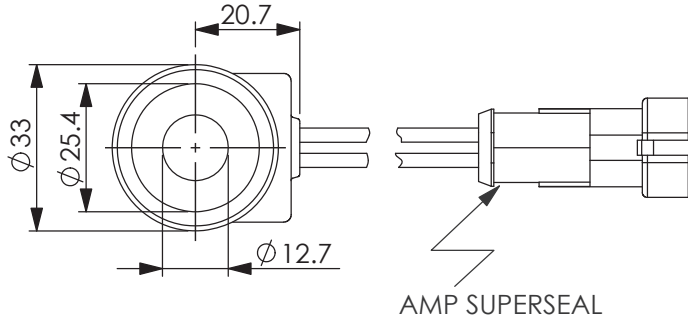
X	Rating Power (W)	
300	30 Watt.	

Y	Connections	
B	AMP JUNIOR TIMER(V)	

Z	Voltage (V)	Resistance (Ω)	Maximum Current (Proportional Control)	
	Nominal	20~25 °C		
E	12V DC	2.5±7%	2600 mA	
D	24V DC	19.2±7%	940 mA	
<b>Current (A)</b>				
			<b>Cold Coil</b>	<b>Hot Coil</b>
H	48V DC	71±7%	0.66	0.44

## SOLENOID OPERATED VALVES Continuous Duty Coils-ED 100%

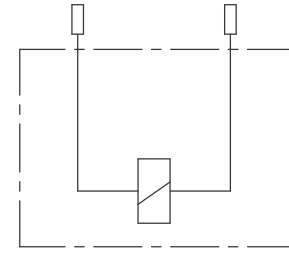
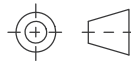
Ordering Code: **EC-04H-X-Y-Z-D300**



While installing, please be sure that this side is toward to the solenoid cartridge valve.

WIRE Length 300 mm

UNIT:mm



### TECHNICAL DATA

Weight: 0.14 kg

HEAT INSULATION CLASS H:  
356°F (180°C)

Ambient temperature range:  
-22+140°F (-30+60°C)

Available on request:  
Different Voltages -  
Different connectors.

Inlet voltage fluctuations must not exceed  $\pm 10\%$  of nominal voltage to obtain correct operation and long life of coils.

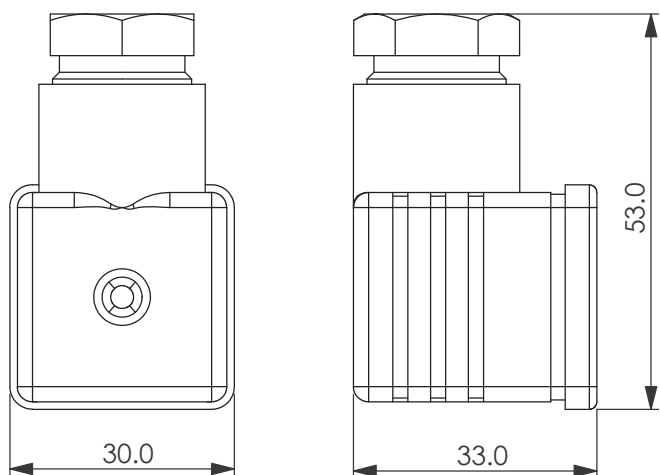
CE approved

X	Power (W)		Y	Connections	
147	14.7 Watt.		C	DOUBLE LEAD	

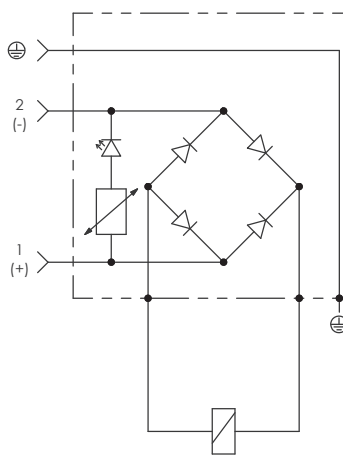
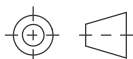
Z	Voltage (V)	Resistance ( $\Omega$ )	Current (A)	
	Nominal	20~25 °C	Cold Coil	Hot Coil
E	12V DC	9.8 $\pm$ 7%	1.22	0.83
D	24V DC	39.3 $\pm$ 7%	0.62	0.41

## DIN 43650 CONNECTORS (CIRCUIT WITH FULL WAVE RECTIFIER)

Ordering Code: **ED-30-X-Y-Z**



UNIT:mm



### TECHNICAL DATA

Number of poles	2+Earth
Nominal current capacity	1.5A
Contact resistance	4mΩ
Max. wire section area	1.5mm <sup>2</sup>
Cable gland thread Pg 9	DIN40430
Tightening torque	3-4Nm
Cable diameter	6-8mm
Electrical insulation Class C	DIN VED 0110
Protection Class <b>IP65</b>	DIN 40050 part9

### Y DIODE CURRENT CAPACITY

**01** 1A

**X**

### CIRCUIT

**R**

Circuit with full wave Rectifier With LED.

**Z**

### VOLTAGE

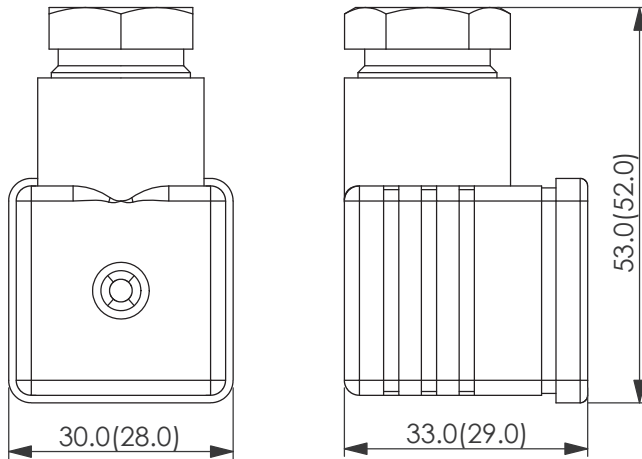
VOLTAGE	INLET	RECTIFIED
---------	-------	-----------

**A**

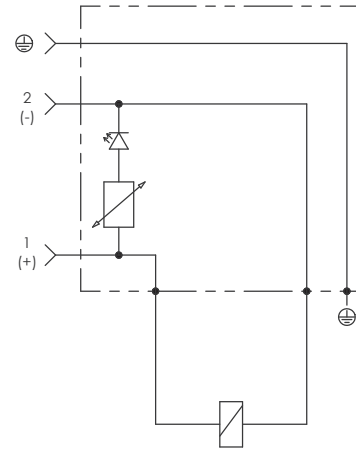
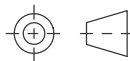
220 RAC	220 VAC	196 VDC
---------	---------	---------

110 RAC	110 VAC	98 VDC
---------	---------	--------

Ordering Code: **ED-30-X-10-Z**



UNIT:mm



### TECHNICAL DATA

Number of poles	2+Earth
Nominal current capacity	10A
Max. current capacity	16A
Contact resistance	4mΩ
Max. wire section area	1.5mm <sup>2</sup>
Cable gland thread Pg 9	DIN40430
Tightening torque	3-4 Nm
Cable diameter	6-8mm
Electrical insulation Class C	DIN VED 0110
Protection Class <b>IP65</b>	DIN 40050 part9

X	CIRCUIT	
D	Standard Circuit with LED	

Z	VOLTAGE	
D	DC 24V	
	DC 12V	

## CENTRALA ELBLĄG

Ul. Rawska 19B  
82-300 Elbląg

tel. /+48/ 55 625 51 00

fax /+48/ 55 625 51 01

### Dział Handlowy

tel. /+48/ 55 625 51 51

elblag@hydropress.pl



[www.hydropress.pl](http://www.hydropress.pl)

### ODDZIAŁ GDAŃSK

tel. /+48/ 55 625 51 21

fax /+48/ 55 625 51 22

### ODDZIAŁ RUMIA

tel. /+48/ 58 679 34 15

fax /+48/ 55 625 51 25

### ODDZIAŁ TYCHY

tel. /+48/ 32 787 52 88

fax /+48/ 55 625 51 38

### ODDZIAŁ OLSZTYN

tel. /+48/ 89 532 01 05

fax /+48/ 89 715 21 42

### ODDZIAŁ WARSZAWA

tel. /+48/ 22 468 86 97

fax /+48/ 55 625 51 32

### BIURO WE WROCŁAWIU

tel. /+48/ 782 838 000

fax /+48/ 55 625 51 35

### BIURO W KIELCACH

tel. /+48/ 885 995 501

fax /+48/ 55 625 51 01

### BIURO W KRAKOWIE

tel. /+48/ 885 995 019

fax /+48/ 55 625 51 01

### BIURO W OPOLU

tel. /+48/ 885 995 011

fax /+48/ 55 625 51 01

### BIURO W BYDGOSZCZY

tel. /+48/ 790 222 771

fax /+48/ 55 625 51 01

### BIURO W BIAŁYMSTOKU

tel. /+48/ 89 532 01 05

fax /+48/ 89 715 21 42

### BIURO W ŁODZI

tel. /+48/ 609 221 421

fax /+48/ 89 715 21 42