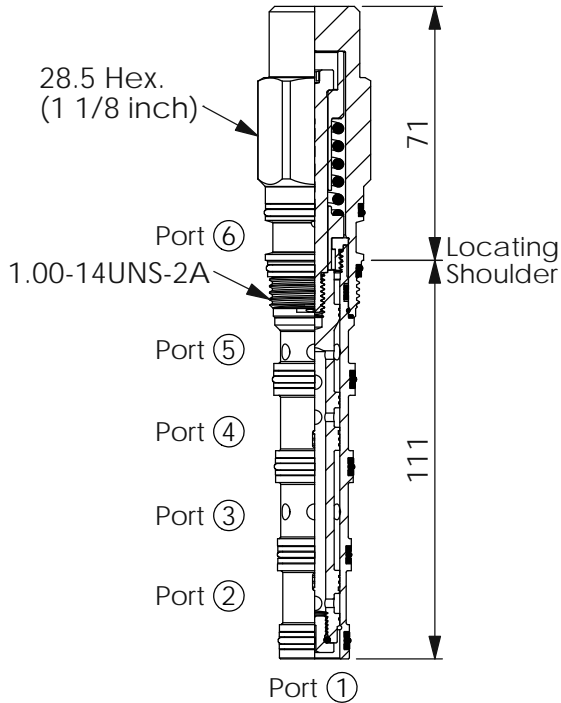




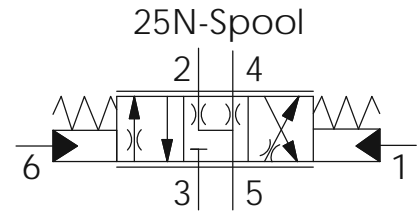
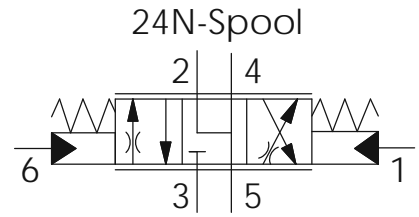
ZAWORY NABOJOWE

Meter-in Proportional Directional Valve

Ordering Code: **PDD-52A-X-Y-N-Z**



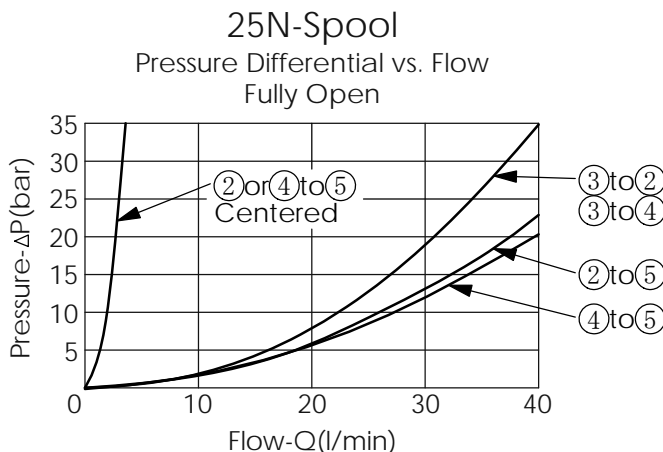
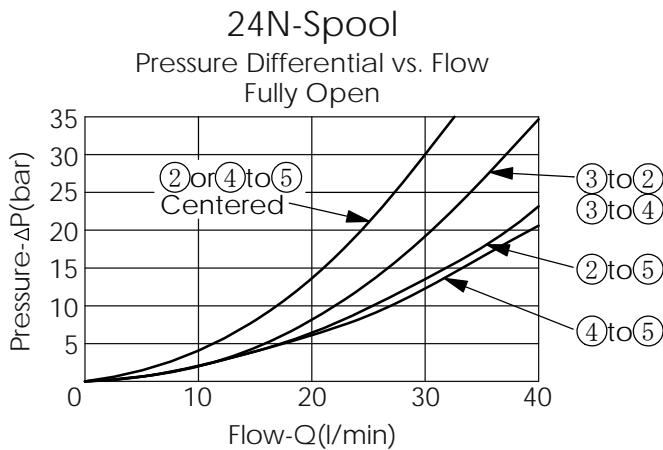
UNIT:mm



TECHNICAL DATA

Max. pressure:	350	bar
Rated flow:	28	l/min
Cavity-Tooling:	52A-6	
Installation torque:	60-70	Nm
Weight:	0.47	kg

- Minimum Pilot Pressure Required to Shift Valve: 5.5 bar.
- Pilot Pressure Required for Full Shift at Rated Flow: 20 bar.
- Nominal operating pressures for port 1 and port 6 should not exceed 35 bar.



X STRUCTURE

6P Ports 1 and 6 Pilot

- Maximum Leakage (30 cc/min./70 bar) (46 cSt, 40°C)

Y OPERATION

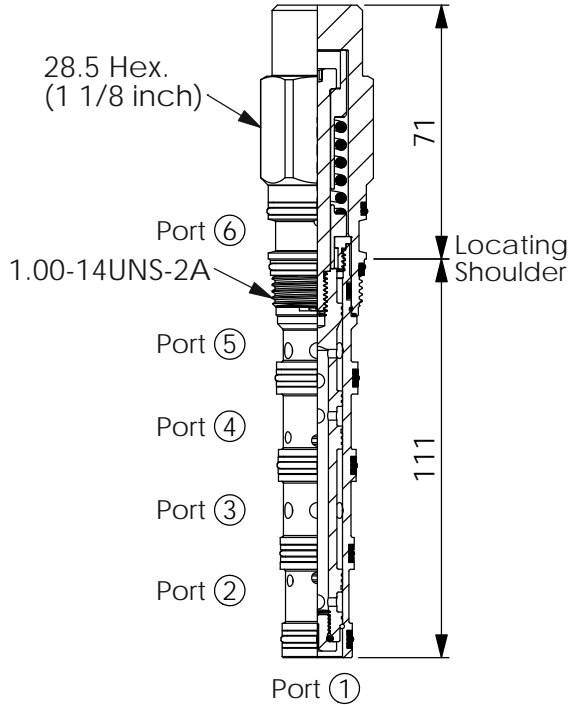
24 2 and 4 to 5 Center

25 2 and 4 Bleed to 5 Center

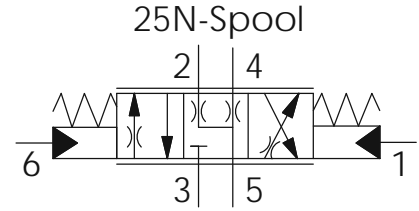
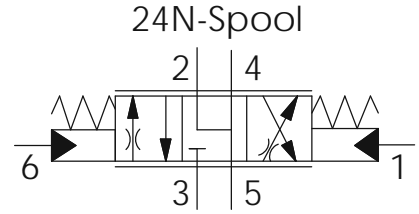
Z OPTIONS

028 28LPM

Ordering Code: **PDD-52A-X-Y-N-Z**



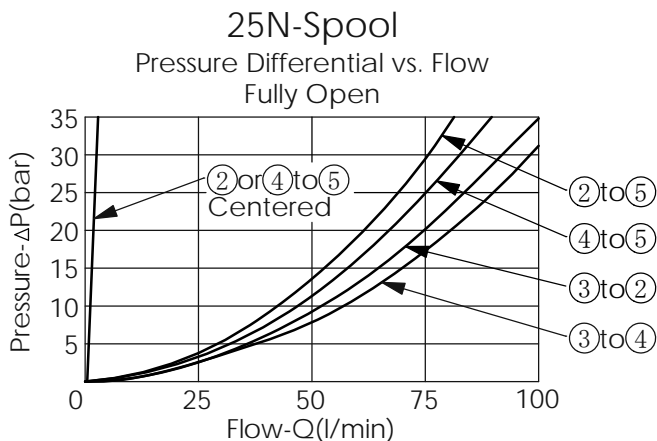
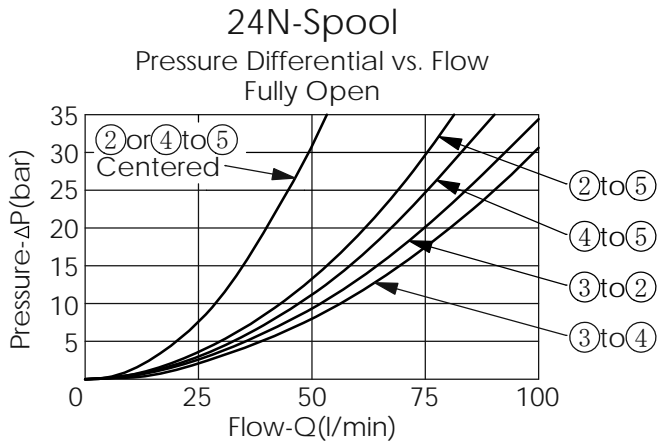
UNIT:mm



TECHNICAL DATA

Max. pressure:	350	bar
Rated flow:	70	l/min
Cavity-Tooling:	52A-6	
Installation torque:	60-70	Nm
Weight:	0.47	kg

- Minimum Pilot Pressure Required to Shift Valve: 5.5 bar.
- Pilot Pressure Required for Full Shift at Rated Flow: 20 bar.
- Nominal operating pressures for port 1 and port 6 should not exceed 35 bar.



X STRUCTURE

6P Ports 1 and 6 Pilot

- Maximum Leakage (30 cc/min./70 bar) (46 cSt, 40°C)

Y OPERATION

24 2 and 4 to 5 Center

25 2 and 4 Bleed to 5 Center

Z OPTIONS

070 70LPM

CENTRALA ELBLĄG

Ul. Rawska 19B
82-300 Elbląg

tel. /+48/ 55 625 51 00

fax /+48/ 55 625 51 01

Dział Handlowy

tel. /+48/ 55 625 51 51

elblag@hydropress.pl



www.hydropress.pl

ODDZIAŁ GDAŃSK

tel. /+48/ 55 625 51 21

fax /+48/ 55 625 51 22

ODDZIAŁ RUMIA

tel. /+48/ 58 679 34 15

fax /+48/ 55 625 51 25

ODDZIAŁ TYCHY

tel. /+48/ 32 787 52 88

fax /+48/ 55 625 51 38

ODDZIAŁ OLSZTYN

tel. /+48/ 89 532 01 05

fax /+48/ 89 715 21 42

ODDZIAŁ WARSZAWA

tel. /+48/ 22 468 86 97

fax /+48/ 55 625 51 32

BIURO WE WROCŁAWIU

tel. /+48/ 782 838 000

fax /+48/ 55 625 51 35

BIURO W KIELCACH

tel. /+48/ 885 995 501

fax /+48/ 55 625 51 01

BIURO W KRAKOWIE

tel. /+48/ 885 995 019

fax /+48/ 55 625 51 01

BIURO W OPOLU

tel. /+48/ 885 995 011

fax /+48/ 55 625 51 01

BIURO W BYDGOSZCZY

tel. /+48/ 790 222 771

fax /+48/ 55 625 51 01

BIURO W BIAŁYMSTOKU

tel. /+48/ 89 532 01 05

fax /+48/ 89 715 21 42

BIURO W ŁODZI

tel. /+48/ 609 221 421

fax /+48/ 89 715 21 42