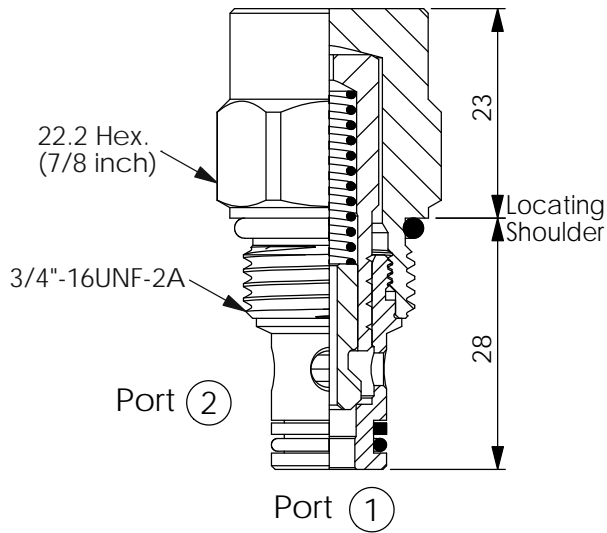




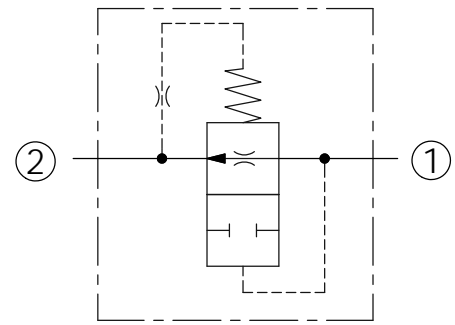
# ZAWORY NABOJOWE

## Start Up Valves

Ordering Code: **NS-08W-X-Y-Z**



UNIT:mm



### TECHNICAL DATA

Pressure min-max: 10-350 bar

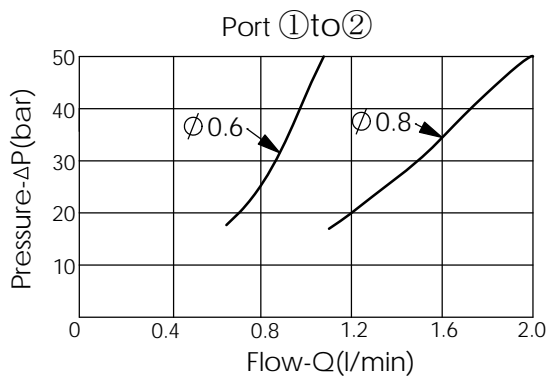
Rated flow: See Performance Chart

Cavity-Tooling: 08W-2

Installation torque: 25-35 Nm

Weight: 0.10 kg

The start-up valves enable the launch of single-phase AC-motors until full or high load



### X OPERATION

20 1 to 2 (Free Flow)

### Y

#### OPTIONS

	Orifice	Min. Cracking Pressure
060	Ø0.6 mm	10.0 bar
	Rated flow (min): 0.7 LPM	
080	Ø0.8 mm	10.0 bar
	Rated flow (min): 1.1 LPM	

### Z

#### OPTIONS

N Non-adjustable

## CENTRALA ELBLĄG

Ul. Rawska 19B  
82-300 Elbląg

tel. /+48/ 55 625 51 00

fax /+48/ 55 625 51 01

### Dział Handlowy

tel. /+48/ 55 625 51 51

elblag@hydropress.pl



[www.hydropress.pl](http://www.hydropress.pl)

### ODDZIAŁ GDAŃSK

tel. /+48/ 55 625 51 21

fax /+48/ 55 625 51 22

### ODDZIAŁ RUMIA

tel. /+48/ 58 679 34 15

fax /+48/ 55 625 51 25

### ODDZIAŁ TYCHY

tel. /+48/ 32 787 52 88

fax /+48/ 55 625 51 38

### ODDZIAŁ OLSZTYN

tel. /+48/ 89 532 01 05

fax /+48/ 89 715 21 42

### ODDZIAŁ WARSZAWA

tel. /+48/ 22 468 86 97

fax /+48/ 55 625 51 32

### BIURO WE WROCŁAWIU

tel. /+48/ 782 838 000

fax /+48/ 55 625 51 35

### BIURO W KIELCACH

tel. /+48/ 885 995 501

fax /+48/ 55 625 51 01

### BIURO W KRAKOWIE

tel. /+48/ 885 995 019

fax /+48/ 55 625 51 01

### BIURO W OPOLU

tel. /+48/ 885 995 011

fax /+48/ 55 625 51 01

### BIURO W BYDGOSZCZY

tel. /+48/ 790 222 771

fax /+48/ 55 625 51 01

### BIURO W BIAŁYMSTOKU

tel. /+48/ 89 532 01 05

fax /+48/ 89 715 21 42

### BIURO W ŁODZI

tel. /+48/ 609 221 421

fax /+48/ 89 715 21 42