



PRZYŁĄCZA KOŁNIERZOWE DO RUR



INDICE

INDEX

| Rif. / Ref. | Descrizione | Description | Pag. / Page |
|--------------------|---|---|-------------|
| AFS...G | FLANGE FILETTATE GAS | <i>BSP THREADED FLANGES</i> | 5 |
| GFS...G | CONTROFLANGE FILETTATE GAS | <i>BSP THREADED COUNTER-FLANGES</i> | 6 |
| DFS...G | DOPPIE FLANGE FILETTATE GAS | <i>BSP THREADED DOUBLE FLANGES</i> | 7 |
| AFS...90G | FLANGE A 90° FILETTATE GAS | <i>BSP THREADED 90° FLANGES</i> | 8 |
| AFS...90GQ | FLANGE A 90° FILETTATE GAS | <i>BSP THREADED 90° FLANGES</i> | 9 |
| AFS...N | FLANGE FILETTATE NPT | <i>NPT THREADED FLANGES</i> | 10 |
| GFS...N | CONTROFLANGE FILETTATE NPT | <i>NPT THREADED COUNTER-FLANGES</i> | 11 |
| DFS...N | DOPPIE FLANGE FILETTATE NPT | <i>NPT THREADED DOUBLE FLANGES</i> | 12 |
| AFS...90N | FLANGE A 90° FILETTATE NPT | <i>NPT THREADED 90° FLANGES</i> | 13 |
| AFS...E | FLANGE FILETTATE METRICHE CON ATTACCO DIN 3901-3902 | <i>DIN 3901-3902 METRIC THREADED FLANGES</i> | 14 |
| AFS...90E | FLANGE 90° FILETTATE METRICHE CON ATTACCO DIN 3901-3902 | <i>DIN 3901-3902 METRIC THREADED 90° FLANGES</i> | 15 |
| AFS...B | FLANGE A TENUTA CONICA A 60° FILETTATE GAS | <i>60° TAPERED SEAT BSP THREADED FLANGES</i> | 16 |
| AFS...J | FLANGE FILETTATE JIC | <i>JIC THREADED FLANGES</i> | 17 |
| AFS...90J | FLANGE A 90° FILETTATE JIC | <i>JIC THREADED 90° FLANGES</i> | 18 |
| AFS...T | FLANGE FILETTATE "UN" CON FILETTO CILINDRICO CON SEDE O-RING | <i>"UN" THREADED FLANGES WITH O-RING GROOVE PARALLEL THREAD</i> | 19 |
| GFS...T | CONTROFLANGE FILETTATE "UN" CON FILETTO CILINDRICO CON SEDE O-RING | <i>"UN" THREADED COUNTER-FLANGES WITH O-RING GROOVE PARALLEL THREAD</i> | 20 |
| AFS...90T | FLANGE A 90° FILETTATE "UN" CON FILETTO CILINDRICO CON SEDE O-RING | <i>"UN" THREADED 90° FLANGES WITH O-RING GROOVE PARALLEL THREAD</i> | 21 |
| AFS...90B | FLANGE A 90° A TENUTA CONICA A 60° FILETTATE GAS | <i>90° FLANGES WITH 60° TAPERED SEAT AND BSP THREADED</i> | 22 |
| AFS...S | FLANGE A SALDARE DI TASCA | <i>WELD IN FLANGES</i> | 23 |
| GFS...S | CONTROFLANGE A SALDARE DI TASCA | <i>WELD IN COUNTER-FLANGES</i> | 24 |
| AFS...SA | FLANGE A SALDARE DI TASCA TUBO METRICO | <i>METRIC PIPE WELD IN FLANGES</i> | 25 |
| GFS...SA | CONTROFLANGE A SALDARE DI TASCA TUBO METRICO | <i>METRIC PIPE WELD IN COUNTER-FLANGES</i> | 26 |
| DFS...S | DOPPIE FLANGE A SALDARE DI TASCA | <i>WELD IN DOUBLE FLANGES</i> | 27 |
| DFS...F | DOPPIE FLANGE FILETTATE GAS E A SALDARE DI TASCA | <i>BSP THREADED AND WELD IN DOUBLE FLANGES</i> | 28 |
| AFS...90S | FLANGE A 90° A SALDARE DI TASCA | <i>WELD IN 90° FLANGES</i> | 29 |
| AFS...90SA | FLANGE A 90° A SALDARE DI TASCA TUBO METRICO | <i>METRIC PIPE WELD IN 90° FLANGES</i> | 30 |
| GFS...90S | CONTROFLANGE A 90° A SALDARE DI TASCA | <i>WELD IN 90° COUNTER-FLANGES</i> | 31 |
| AFS...90SQ | FLANGE A 90° A SALDARE DI TASCA | <i>WELD IN 90° FLANGES</i> | 32 |
| AFC...S | FLANGE PIATTE A SALDARE DI TASCA | <i>WELD IN FLAT FLANGES</i> | 33 |
| GFC...S | CONTROFLANGE PIATTE A SALDARE DI TASCA | <i>WELD IN FLAT COUNTER-FLANGES</i> | 34 |
| PFS... | FLANGE PIATTE A SALDARE DI TASCA | <i>WELD IN FLAT FLANGES</i> | 35 |
| PFS...SP | FLANGE PIATTE CON TASCA | <i>POCKET FLAT FLANGES</i> | 36 |
| PFS...P | FLANGE PIATTE CON FORO PASSANTE | <i>FLAT FLANGES WITH THROUGH HOLE</i> | 36 |
| D... | DISTANZIALE SAE CON FORO LATERALE | <i>SAE DISTANCE PIECE WITH LATERAL HOLE</i> | 37 |
| AFS...ST80 | FLANGE A SALDARE DI TESTA SCH.80 | <i>WELD ON FLANGES SCH.80</i> | 38 |
| AFS...ST160 | FLANGE A SALDARE DI TESTA SCH.160 | <i>WELD ON FLANGES SCH.160</i> | 39 |
| AFS...STXXS | FLANGE A SALDARE DI TESTA SCH.XXS | <i>WELD ON FLANGES SCH.XXS</i> | 40 |
| GFS...ST80 | CONTROFLANGE A SALDARE DI TESTA SCH. 80 | <i>WELD ON COUNTER-FLANGES SCH.80</i> | 41 |
| GFS...ST160 | CONTROFLANGE A SALDARE DI TESTA SCH. 160 | <i>WELD ON COUNTER-FLANGES SCH.160</i> | 42 |
| GFS...STXXS | CONTROFLANGE A SALDARE DI TESTA SCH. XXS | <i>WELD ON COUNTER- FLANGES SCH.XXS</i> | 43 |
| DFS...ST | DOPPIE FLANGE A SALDARE DI TESTA SCH.80, SCH.160, SCH. XXS | <i>WELD ON DOUBLE FLANGES SCH.80, SCH.160, SCH. XXS</i> | 44 |
| AFS...SRE | FLANGE A SALDARE DI TESTA TUBO METRICO FORO CILINDRICO | <i>METRIC PIPE CYLINDRIC HOLE WELD ON FLANGES</i> | 45 |
| AFS...STRE | FLANGE A SALDARE DI TESTA TUBO METRICO | <i>METRIC PIPE WELD ON FLANGES</i> | 46 |
| GFS...SRE | CONTROFLANGE A SALDARE DI TESTA TUBO METRICO FORO CILINDRICO | <i>METRIC PIPE CYLINDRIC HOLE WELD ON COUNTER-FLANGES</i> | 47 |
| GFS...STRE | CONTROFLANGE A SALDARE DI TESTA TUBO METRICO | <i>METRIC PIPE WELD ON COUNTER-FLANGES</i> | 48 |



INDICE

INDEX

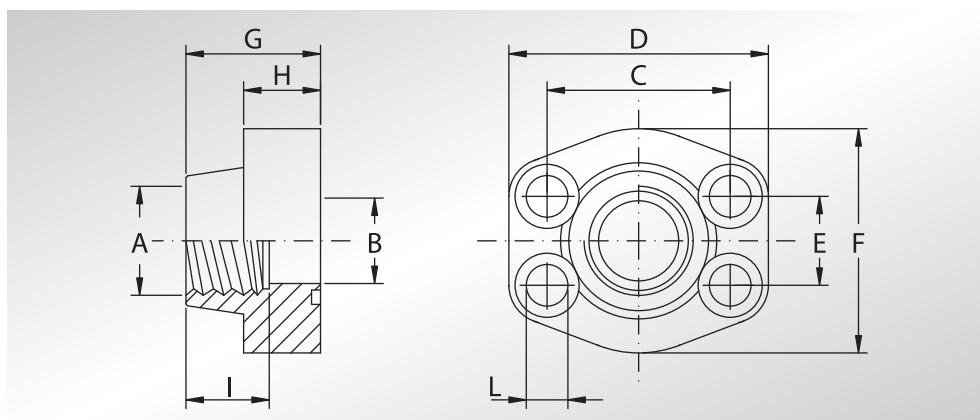
| Rif. / Ref. | Descrizione | Description | Pag. / Page |
|------------------------|--|--|-------------|
| AFS...90ST | FLANGE A 90° A SALDARE DI TESTA | WELD ON 90° FLANGES | 49 |
| AFS...90ST SPEC | FLANGE A 90° A SALDARE DI TESTA | WELD ON 90° FLANGES | 50 |
| AFC... | FLANGE CIECHE | BLIND FLANGES | 51 |
| GFC... | CONTROFLANGE CIECHE | BLIND COUNTER-FLANGES | 52 |
| AFS... | SEMIFLANGE TAGLIATE | CUT SPLIT FLANGES | 53 |
| AFSI... | SEMIFLANGE INTERE | UNCUT SPLIT FLANGES | 54 |
| GFSI... | SEMIFLANGE INTERE CON FORI DI FISSAGGIO FILETTATI METRICI | UNCUT SPLIT FLANGES WITH METRIC THREADED FIXING HOLES | 55 |
| GFSI...U | SEMIFLANGE INTERE CON FORI DI FISSAGGIO FILETTATI UNC | UNCUT SPLIT FLANGES WITH UNC THREADED FIXING HOLES | 56 |
| AFP... | SEMIFLANGE PIATTE TAGLIATE | CUT FLAT SPLIT FLANGES | 57 |
| AFPI... | SEMIFLANGE PIATTE INTERE | UNCUT FLAT SPLIT FLANGES | 58 |
| GFPI... | SEMIFLANGE PIATTE INTERE CON FORI DI FISSAGGIO FILETTATI METRICI | UNCUT FLAT SPLIT FLANGES WITH METRIC THREADED FIXING HOLES | 59 |
| SFS...ST | CODOLI A SALDARE DI TESTA PER TUBO METRICO | WELD ON ADAPTERS FOR METRIC TUBE | 60 |
| SFS...STA | CODOLI A SALDARE DI TESTA PER TUBO GAS | WELD ON ADAPTERS FOR BSP TUBE | 61 |
| SFS...GC | CODOLI FILETTATI GAS CONICO | BSP TAPERED THREADED ADAPTERS | 62 |
| SFCE... | CODOLI FILETTATI METRICI ATTACCO DIN 3901- 3902 ZINCATI | DIN 3901 - 3902 METRIC THREADED YELLOW ZINKED ADAPTERS | 63 |
| SFS...G2OR | CODOLI FILETTATI GAS CILINDRICO DOPPIA SEDE O-RING | BSP CYLINDRICAL THREADED ADAPTERS WITH DOUBLE O-RING SEAT | 64 |
| OVA... | FLANGE OVALI CON FORO PASSANTE | OVAL FLANGES WITH THROUGH HOLE | 65 |
| FORO LATERALE | TABELLA INFORMATIVA PER FORO CONTROLLO PRESSIONE | INFORMATIVE TABLE FOR HOLE TO CHECK PRESSURE | 66 |
| | TABELLE TECNICHE PER ASSIEMI GRUPPI SEMIFLANGE | TECHNICAL TABLES FOR SPLIT FLANGES GROUP ASSEMBLING | |
| AFS...STM | GRUPPO SEMIFLANGIA TAGLIATA | GROUP CUT SPLIT FLANGE | 68 |
| DFS...STM | DOPPIA SEMIFLANGIA TAGLIATA | DOUBLE CUT SPLIT FLANGE | 68 |
| AFSI...STM | GRUPPO SEMIFLANGIA INTERA | GROUP UNCUT SPLIT FLANGE | 69 |
| DFSI...STM | DOPPIA SEMIFLANGIA INTERA | DOUBLE UNCUT SPLIT FLANGE | 69 |
| | TABELLE TECNICHE PER RACCORDI POMPA | TECHNICAL TABLES FOR PUMPS CONNECTORS | |
| RP.../RPI... | RACCORDI POMPA TIPO RP/RPI | STRAIGHT CONNECTORS RP/RPI TYPE | 72 |
| RPE.../RPS... | RACCORDI POMPA TIPO RPE/RPS | STRAIGHT CONNECTORS RPE/RPS TYPE | 73 |
| GF...LK... | RACCORDI DIRITTI FILETTATI METRICI DIN 3901-3902 | DIN 3901-3902 METRIC THREADED STRAIGHT CONNECTORS | 74 |
| RP90... | RACCORDI POMPA 3 FORI | PUMP ELBOWS WITH 3 FIXING HOLES | 75 |
| GF...90M... | RACCORDI A 4 FORI A 90° FILETTATI METRICI DIN 3901 - 3902 | DIN 3901 - 3902 METRIC THREADED 90° CONNECTORS WITH 4 FIXING HOLES | 76 |
| GF...90... | RACCORDI A 4 FORI A 90° FILETTATI GAS | BSP THREADED 90° CONNECTORS WITH 4 FIXING HOLES | 77 |
| | TABELLE TECNICHE PER FLANGE CETOP | TECHNICAL TABLES FOR CETOP FLANGES | |
| CET...ST... | FLANGE CETOP | CETOP FLANGES | 80 |
| COD...ST... | CODOLI A SALDARE DI TESTA CETOP | WELD ON CETOP ADAPTERS | 81 |
| COD...C... | CODOLI CIECHI CETOP | CETOP BLIND ADAPTERS | 82 |
| GCET...ST... | GRUPPO FLANGIA CETOP CON CODOLO A SALDARE DI TESTA E SET VITI METRICHE | GROUP OF CETOP FLANGE WITH WELD ON ADAPTER AND METRIC SCREWS SET | 83 |
| GCET...C... | GRUPPO FLANGIA CETOP CON CODOLO CIECO E SET VITI METRICHE | GROUP OF CETOP FLANGE WITH BLIND ADAPTER AND METRIC SCREWS SET | 84 |
| DCET...ST... | DOPPIE FLANGE CETOP CON CODOLO E CONTROCODOLO A SALDARE DI TESTA E SET VITI METRICHE | CETOP DOUBLE FLANGES WITH WELD ON ADAPTER WITH AND WITHOUT O-RING SEAT AND METRIC SCREWS SET | 85 |
| DCET...C... | DOPPIE FLANGE CETOP CON CODOLO CIECO E CONTROCODOLO A SALDARE DI TESTA E SET VITI METRICHE | CETOP DOUBLE FLANGES WITH BLIND ADAPTER AND WELD ON ADAPTER WITHOUT O-RING SEAT | 86 |
| CET...ST90... | FLANGE CETOP A 90° | 90° CETOP FLANGE | 87 |



INDICE

INDEX

| Rif. / Ref. | Descrizione | Description | Pag. / Page |
|------------------------------|--|--|-------------|
| | TABELLE TECNICHE PER PRODOTTI IN ESECUZIONE SU RICHIESTA | TECHNICAL TABLES FOR PRODUCTS ON REQUEST | |
| RIF... | ADATTATORE SAE DI RIDUZIONE | SAE REDUCER ADAPTER | 90 |
| WFG... | CODOLI FILETTATI METRICI 90° DIN 3901-3902 ZINCATI | 90° DIN 3901-3902 METRIC THREADED YELLOW ZINKED ADAPTERS | 91 |
| AFC...G | FLANGE PIATTE FILETTATE GAS | BSP THREADED FLAT FLANGES | 92 |
| SFS...D | CODOLI DOPPI | DOUBLE ADAPTERS | 93 |
| SFS...N | CODOLI FILETTATI NPT | NPT THREADED ADAPTERS | 94 |
| Q...ST | FLANGE QUADRE ISO 6164 | SQUARE FLANGES ISO 6164 | 95 |
| ISO... | CODOLI A SALDARE DI TESTA ISO 6164 | WELD ON ADAPTERS ISO 6164 | 96 |
| CETA...G | FLANGE CETOP FILETTATE GAS | BSP THREADED CETOP FLANGES | 97 |
| CET...S | FLANGE CETOP A SALDARE DI TASCA | WELD IN CETOP FLANGES | 98 |
| CET...C | FLANGE CETOP CIECHE | BLIND CETOP FLANGES | 99 |
| TBL... | BLOCCHI SAE A "T" | SAE "T" BLOCKS | 100 |
| COL | CODOLI DI COLLEGAMENTO | CONNECTION ADAPTERS | 101 |
| TAB COD RIDUZIONE | TABELLA TECNICA PER DIMENSIONI CODOLO DI RIDUZIONE | TECHNICAL TABLE FOR DIMENSION OF REDUCER ADAPTER | 102 |
| | TABELLE TECNICHE PER PRODOTTI ACCESSORI PER FLANGE SAE | TECHNICAL TABLES RELEVANT TO ACCESSORIES FOR SAE FLANGES | |
| CARATTERIST. SAE | TABELLA RIASSUNTIVA CARATTERISTICHE TECNICHE FLANGE SAE | RESUMING TABLE WITH SAE FLANGES TECHNICAL CHARACTERISTICS | 104 |
| GROWER.. | RONDELLE GROWER DIN 7980 | SPRINGLOCKWASHERS WITH SQUARE ENDS ACCORDING TO DIN 7980 | 106 |
| TAB O-RING | DIMENSIONI O-RING SAE DIMENSIONI SEDE O-RING SAE | SAE O-RING DIMENSIONS SAE O-RING SEAT DIMENSIONS | 107 |
| TAB SCHED TUBI | TABELLA SPESSORI SCHEDULE TUBI PER CORRISPONDENZA CON QUOTA "B" FLANGE SAE A SALDARE | TABLE FOR PIPES' THICKNESS FOR CROSS REFERENCE WITH "B" DIMENSION OF WELDING SAE FLANGES | 108 |



| Pressione max di esercizio raccomandata Kg/cm ² | Grandezza | Tipo | Dimensioni | | | | | | | | | | Viti | | Or tipo | Peso Kg | | |
|--|-----------|------|------------|---|---|---|---|---|---|---|---|---|--------|-----|---------|---------|---------|-----------|
| | | | Dimensions | | | | | | | | | | Screws | | | | Or type | Weight Kg |
| | | | A | B | C | D | E | F | G | H | I | L | Metric | Unc | | | | |

SERIE 3000

| | | | | | | | | | | | | | | | | |
|-----|-------|-------------|-----------|-----|--------|-----|-------|-----|----|----|----|------|--------|------------|------|------|
| 345 | 1/2" | AFS080G | 1/2" GAS | 13 | 38,10 | 57 | 17,48 | 46 | 36 | 16 | 19 | 9 | M8x30 | 5/16x1"1/4 | 4075 | 0,25 |
| 345 | 1/2" | AFS080G038 | 3/8" GAS | 13 | 38,10 | 57 | 17,48 | 46 | 36 | 16 | 19 | 9 | M8x30 | 5/16x1"1/4 | 4075 | 0,27 |
| 345 | 3/4" | AFS100G | 3/4" GAS | 19 | 47,63 | 65 | 22,23 | 50 | 36 | 18 | 19 | 11 | M10x35 | 3/8x1"1/2 | 4100 | 0,37 |
| 345 | 3/4" | AFS100G012 | 1/2" GAS | 13 | 47,63 | 65 | 22,23 | 50 | 36 | 18 | 19 | 11 | M10x35 | 3/8x1"1/2 | 4100 | 0,40 |
| 345 | 1" | AFS102G | 1" GAS | 25 | 52,37 | 70 | 26,19 | 55 | 38 | 18 | 22 | 11 | M10x35 | 3/8x1"1/2 | 4131 | 0,45 |
| 345 | 1" | AFS102G034 | 3/4" GAS | 19 | 52,37 | 70 | 26,19 | 55 | 35 | 21 | 19 | 11 | M10x40 | 3/8x1"1/2 | 4131 | 0,51 |
| 276 | 1"1/4 | AFS104G | 1"1/4 GAS | 32 | 58,72 | 79 | 30,18 | 68 | 40 | 21 | 22 | 11,5 | M10x40 | 7/16x1"3/4 | 4150 | 0,66 |
| 276 | 1"1/4 | AFS104GL13 | 1"1/4 GAS | 32 | 58,72 | 79 | 30,18 | 68 | 40 | 21 | 22 | 13,5 | M12x45 | - | 4150 | 0,66 |
| 276 | 1"1/4 | AFS104G100 | 1" GAS | 25 | 58,72 | 81 | 30,18 | 65 | 42 | 25 | 24 | 11,5 | M10x40 | 7/16x1"3/4 | 4150 | 0,80 |
| 207 | 1"1/2 | AFS106G | 1"1/2 GAS | 38 | 69,85 | 93 | 35,71 | 78 | 45 | 25 | 24 | 13,5 | M12x45 | 1/2x1"3/4 | 4187 | 1,05 |
| 207 | 1"1/2 | AFS106G114 | 1"1/4 GAS | 32 | 69,85 | 95 | 35,71 | 78 | 45 | 27 | 24 | 13,5 | M12x45 | 1/2x1"3/4 | 4187 | 1,17 |
| 207 | 2" | AFS108G | 2" GAS | 51 | 77,77 | 102 | 42,88 | 90 | 45 | 25 | 30 | 13,5 | M12x45 | 1/2x1"3/4 | 4225 | 1,17 |
| 207 | 2" | AFS108G112 | 1"1/2 GAS | 38 | 77,77 | 102 | 42,88 | 90 | 45 | 25 | 26 | 13,5 | M12x45 | 1/2x1"3/4 | 4225 | 1,52 |
| 172 | 2"1/2 | AFS110G | 2"1/2 GAS | 63 | 88,90 | 114 | 50,80 | 105 | 50 | 25 | 30 | 13,5 | M12x45 | 1/2x1"3/4 | 4275 | 1,59 |
| 173 | 2"1/2 | AFS110G200 | 2" GAS | 51 | 88,90 | 114 | 50,80 | 105 | 50 | 25 | 30 | 13,5 | M12x45 | 1/2x1"3/4 | 4275 | 2,13 |
| 138 | 3" | AFS112G | 3" GAS | 73 | 106,38 | 134 | 61,93 | 124 | 50 | 27 | 34 | 17,5 | M16x50 | 5/8x2" | 4337 | 2,28 |
| 138 | 3" | AFS112G212 | 2"1/2 GAS | 63 | 106,38 | 134 | 61,93 | 124 | 50 | 27 | 30 | 17,5 | M16x50 | 5/8x2" | 4337 | 2,56 |
| 34 | 3"1/2 | AFS114G | 3"1/2 GAS | 89 | 120,65 | 152 | 69,85 | 136 | 48 | 27 | 34 | 17,5 | M16x50 | 5/8x2" | 4387 | 2,42 |
| 34 | 3"1/2 | AFS114G300 | 3" GAS | 73 | 120,65 | 152 | 69,85 | 136 | 48 | 27 | 34 | 17,5 | M16x50 | 5/8x2" | 4387 | 3,28 |
| 34 | 4" | AFS116G | 4" GAS | 99 | 130,18 | 162 | 77,77 | 146 | 48 | 27 | 34 | 17,5 | M16x50 | 5/8x2" | 4437 | 2,78 |
| 34 | 4" | AFS116G312 | 3"1/2 GAS | 89 | 130,18 | 162 | 77,77 | 146 | 48 | 27 | 34 | 17,5 | M16x50 | 5/8x2" | 4437 | 3,30 |
| 34 | 5" | AFS118G (*) | 5" GAS | 120 | 152,40 | 184 | 92,08 | 180 | 50 | 28 | 30 | 17,5 | M16x50 | 5/8x2" | 4537 | 5,80 |

SERIE 6000

| | | | | | | | | | | | | | | | | |
|-----|-------|-------------|-----------|----|--------|-----|-------|-----|----|----|----|------|---------|------------|------|------|
| 414 | 1/2" | AFS401G012 | 1/2" GAS | 13 | 40,49 | 57 | 18,24 | 46 | 36 | 16 | 19 | 9 | M8x30 | 5/16x1"1/4 | 4075 | 0,25 |
| 414 | 1/2" | AFS401G038 | 3/8" GAS | 13 | 40,49 | 57 | 18,24 | 46 | 36 | 16 | 19 | 9 | M8x30 | 5/16x1"1/4 | 4075 | 0,28 |
| 414 | 3/4" | AFS402G | 3/4" GAS | 19 | 50,80 | 71 | 23,80 | 55 | 35 | 21 | 19 | 11 | M10x40 | 3/8x1"1/2 | 4100 | 0,51 |
| 414 | 3/4" | AFS402G012 | 1/2" GAS | 13 | 50,80 | 71 | 23,80 | 55 | 35 | 21 | 19 | 11 | M10x40 | 3/8x1"1/2 | 4100 | 0,56 |
| 414 | 1" | AFS403G | 1" GAS | 25 | 57,15 | 81 | 27,76 | 65 | 42 | 25 | 22 | 13 | M12x45 | 7/16x1"3/4 | 4131 | 0,81 |
| 414 | 1" | AFS403G034 | 3/4" GAS | 19 | 57,15 | 81 | 27,76 | 65 | 42 | 25 | 22 | 13 | M12x45 | 7/16x1"3/4 | 4131 | 0,84 |
| 414 | 1"1/4 | AFS404G | 1"1/4 GAS | 32 | 66,68 | 95 | 31,75 | 78 | 45 | 27 | 23 | 15 * | M14x45 | 1/2x1"3/4 | 4150 | 1,13 |
| 414 | 1"1/4 | AFS404G100 | 1" GAS | 25 | 66,68 | 95 | 31,75 | 78 | 45 | 27 | 23 | 15 * | M14x45 | 1/2x1"3/4 | 4150 | 1,26 |
| 414 | 1"1/2 | AFS405G | 1"1/2 GAS | 38 | 79,38 | 112 | 36,50 | 94 | 50 | 30 | 26 | 17 | M16x50 | 5/8x2" | 4187 | 1,81 |
| 414 | 1"1/2 | AFS405G114 | 1"1/4 GAS | 32 | 79,38 | 112 | 36,50 | 94 | 50 | 30 | 26 | 17 | M16x50 | 5/8x2" | 4187 | 1,95 |
| 414 | 2" | AFS406G | 2" GAS | 51 | 96,82 | 134 | 44,45 | 114 | 65 | 37 | 30 | 21 | M20x70 | 3/4x2"1/2 | 4225 | 3,31 |
| 414 | 2" | AFS406G112 | 1"1/2 GAS | 38 | 96,82 | 134 | 44,45 | 114 | 65 | 37 | 30 | 21 | M20x70 | 3/4x2"1/2 | 4225 | 3,8 |
| 414 | 2"1/2 | AFS507G (*) | 2"1/2 GAS | 63 | 123,80 | 180 | 58,70 | 152 | 80 | 45 | 32 | 26 | M24x80 | - | 4275 | 6,75 |
| 414 | 3" | AFS508G (*) | 3" GAS | 73 | 152,40 | 208 | 71,40 | 178 | 90 | 55 | 40 | 33 | M30x100 | - | 4337 | |

**DESIGNAZIONE PER ORDINE
DESIGNATION FOR ORDER**

Solo flangia
Only flange

Flangia completa di viti metriche, grower e o-ring
Flange complete of metric screws, grower type washers and o-ring

Flangia completa di viti unc, grower e o-ring
Flange complete of unc screws, grower type washers and o-ring

Materiale / Material

ST52.3 **AISI 316L**

AFS...G **AFX...G**

AFS...GM **AFX...GM**

AFS...GU **AFX...GU**

NOTE / NOTES

* Per viti unc L=13,5
* For unc screws L=13,5

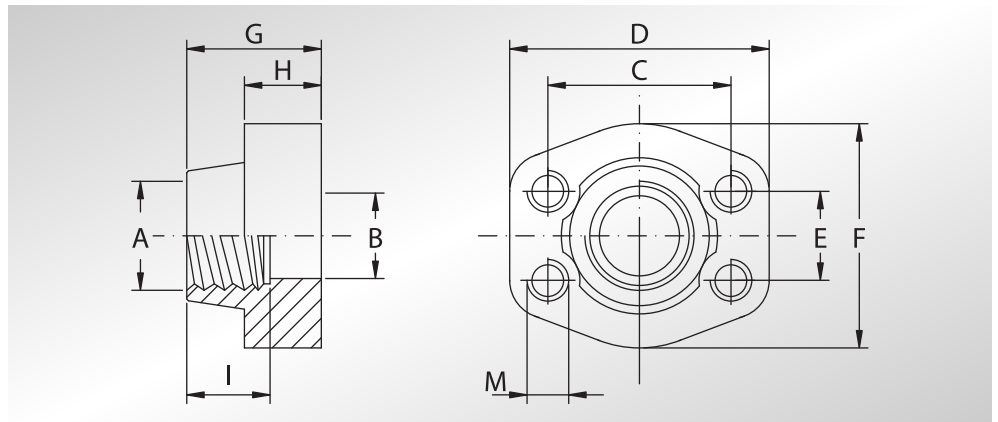
(*) Solo in ST52.3
(*) Only in ST52.3

set viti unc disponibili solo in acciaio al carbonio.
unc screws set available only in carbon steel.



CONTROFLANGE FILETTATE GAS

BSP THREADED COUNTER-FLANGES



| Pressione max di esercizio raccomandata Kg/cm ² | Grandezza | Tipo | Dimensioni | | | | | | | | | | Peso Kg | | |
|--|-----------|-------------|------------|-----|--------|-----|-------|-----|----|----|----|-----|-----------|------|--|
| Maximum recommended working pressure Kg/cm ² | Size | Type | Dimensions | | | | | | | | | | Weight Kg | | |
| | | | A | B | C | D | E | F | G | H | I | M | | | |
| SERIE 3000 | | | | | | | | | | | | | Metric | Unc | |
| 345 | 1/2" | GFS080G | 1/2" GAS | 13 | 38,10 | 57 | 17,48 | 46 | 36 | 16 | 19 | M8 | 5/16 | 0,26 | |
| 345 | 1/2" | GFS080G038 | 3/8" GAS | 13 | 38,10 | 57 | 17,48 | 46 | 36 | 16 | 19 | M8 | 5/16 | 0,28 | |
| 345 | 3/4" | GFS100G | 3/4" GAS | 19 | 47,63 | 65 | 22,23 | 50 | 36 | 18 | 19 | M10 | 3/8 | 0,41 | |
| 345 | 3/4" | GFS100G012 | 1/2" GAS | 13 | 47,63 | 65 | 22,23 | 50 | 36 | 18 | 19 | M10 | 3/8 | 0,44 | |
| 345 | 1" | GFS102G | 1" GAS | 25 | 52,37 | 70 | 26,19 | 55 | 38 | 18 | 22 | M10 | 3/8 | 0,49 | |
| 345 | 1" | GFS102G034 | 3/4" GAS | 19 | 52,37 | 70 | 26,19 | 55 | 35 | 21 | 19 | M10 | 3/8 | 0,55 | |
| 276 | 1"1/4 | GFS104G | 1"1/4 GAS | 32 | 58,72 | 79 | 30,18 | 68 | 40 | 21 | 22 | M10 | 7/16 | 0,71 | |
| 276 | 1"1/4 | GFS104G100 | 1" GAS | 25 | 58,72 | 81 | 30,18 | 65 | 42 | 25 | 24 | M10 | 7/16 | 0,85 | |
| 207 | 1"1/2 | GFS106G | 1"1/2 GAS | 38 | 69,85 | 93 | 35,71 | 78 | 45 | 25 | 24 | M12 | 1/2 | 1,12 | |
| 207 | 1"1/2 | GFS106G114 | 1"1/4 GAS | 32 | 69,85 | 95 | 35,71 | 78 | 45 | 27 | 24 | M12 | 1/2 | 1,24 | |
| 207 | 2" | GFS108G | 2" GAS | 51 | 77,77 | 102 | 42,88 | 90 | 45 | 25 | 30 | M12 | 1/2 | 1,24 | |
| 207 | 2" | GFS108G112 | 1"1/2 GAS | 38 | 77,77 | 102 | 42,88 | 90 | 45 | 25 | 26 | M12 | 1/2 | 1,59 | |
| 172 | 2"1/2 | GFS110G | 2"1/2 GAS | 63 | 88,90 | 114 | 50,80 | 105 | 50 | 25 | 30 | M12 | 1/2 | 1,66 | |
| 173 | 2"1/2 | GFS110G200 | 2" GAS | 51 | 88,90 | 114 | 50,80 | 105 | 50 | 25 | 30 | M12 | 1/2 | 2,20 | |
| 138 | 3" | GFS112G | 3" GAS | 73 | 106,38 | 134 | 61,93 | 124 | 50 | 27 | 34 | M16 | 5/8 | 2,37 | |
| 138 | 3" | GFS112G212 | 2"1/2 GAS | 63 | 106,38 | 134 | 61,93 | 124 | 50 | 27 | 30 | M16 | 5/8 | 2,65 | |
| 34 | 3"1/2 | GFS114G | 3"1/2 GAS | 89 | 120,65 | 152 | 69,85 | 136 | 48 | 27 | 34 | M16 | 5/8 | 2,51 | |
| 34 | 3"1/2 | GFS114G300 | 3" GAS | 73 | 120,65 | 152 | 69,85 | 136 | 48 | 27 | 34 | M16 | 5/8 | 3,37 | |
| 34 | 4" | GFS116G | 4" GAS | 99 | 130,18 | 162 | 77,77 | 146 | 48 | 27 | 34 | M16 | 5/8 | 2,87 | |
| 34 | 4" | GFS116G312 | 3"1/2 GAS | 89 | 130,18 | 162 | 77,77 | 146 | 48 | 27 | 34 | M16 | 5/8 | 3,39 | |
| 34 | 5" | GFS118G (•) | 5" GAS | 120 | 152,40 | 184 | 92,08 | 180 | 50 | 28 | 30 | M16 | 5/8 | 5,80 | |

SERIE 6000

| | | | | | | | | | | | | | | |
|-----|-------|-------------|-----------|----|--------|-----|-------|-----|----|----|----|-----|------|------|
| 414 | 1/2" | GFS401G012 | 1/2" GAS | 13 | 40,49 | 57 | 18,24 | 46 | 36 | 16 | 19 | M8 | 5/16 | 0,26 |
| 414 | 1/2" | GFS401G038 | 3/8" GAS | 13 | 40,49 | 57 | 18,24 | 46 | 36 | 16 | 19 | M8 | 5/16 | 0,29 |
| 414 | 3/4" | GFS402G | 3/4" GAS | 19 | 50,80 | 71 | 23,80 | 55 | 35 | 21 | 19 | M10 | 3/8 | 0,55 |
| 414 | 3/4" | GFS402G012 | 1/2" GAS | 13 | 50,80 | 71 | 23,80 | 55 | 35 | 21 | 19 | M10 | 3/8 | 0,60 |
| 414 | 1" | GFS403G | 1" GAS | 25 | 57,15 | 81 | 27,76 | 65 | 42 | 25 | 22 | M12 | 7/16 | 0,87 |
| 414 | 1" | GFS403G034 | 3/4" GAS | 19 | 57,15 | 81 | 27,76 | 65 | 42 | 25 | 22 | M12 | 7/16 | 0,9 |
| 414 | 1"1/4 | GFS404G | 1"1/4 GAS | 32 | 66,68 | 95 | 31,75 | 78 | 45 | 27 | 23 | M14 | 1/2 | 1,21 |
| 414 | 1"1/4 | GFS404G100 | 1" GAS | 25 | 66,68 | 95 | 31,75 | 78 | 45 | 27 | 23 | M14 | 1/2 | 1,34 |
| 414 | 1"1/2 | GFS405G | 1"1/2 GAS | 38 | 79,38 | 112 | 36,50 | 94 | 50 | 30 | 26 | M16 | 5/8 | 1,90 |
| 414 | 1"1/2 | GFS405G114 | 1"1/4 GAS | 32 | 79,38 | 112 | 36,50 | 94 | 50 | 30 | 26 | M16 | 5/8 | 2,03 |
| 414 | 2" | GFS406G | 2" GAS | 51 | 96,82 | 134 | 44,45 | 114 | 65 | 37 | 30 | M20 | 3/4 | 3,43 |
| 414 | 2" | GFS406G112 | 1"1/2 GAS | 38 | 96,82 | 134 | 44,45 | 114 | 65 | 37 | 30 | M20 | 3/4 | 3,92 |
| 414 | 2"1/2 | GFS507G (•) | 2"1/2 GAS | 63 | 123,80 | 180 | 58,70 | 152 | 80 | 45 | 32 | M24 | - | 6,98 |
| 414 | 3" | GFS508G (•) | 3" GAS | 73 | 152,40 | 208 | 71,40 | 178 | 90 | 55 | 40 | M30 | - | - |

DESIGNAZIONE PER ORDINE DESIGNATION FOR ORDER

Controflangia con fori di fissaggio filettati metrici
Counter-flange with metric threaded fixing holes

Materiale / Material

ST52.3 AISI 316L

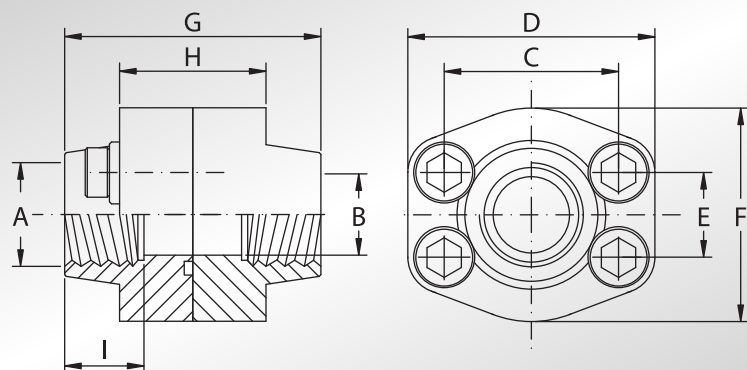
GFS...G GFX...G

Controflangia con fori di fissaggio filettati unc
Counter-flange with unc threaded fixing holes

GFS...GU GFX...GU

NOTE / NOTES

- (•) Solo in ST52.3
- (•) Only in ST52.3



| Pressione max di esercizio raccomandata Kg/cm ² | Grandezza | Tipo | Dimensioni | | | | | | | | | Viti | | Or tipo | Peso Kg |
|--|-----------|------|------------|---|---|---|---|---|---|---|---|--------|-----|---------|-----------|
| Maximum recommended working pressure Kg/cm ² | Size | Type | Dimensions | | | | | | | | | Screws | | Or type | Weight Kg |
| | | | A | B | C | D | E | F | G | H | I | Metric | Unc | | |

SERIE 3000

| | | | | | | | | | | | | | | | |
|-----|-------|-------------|-----------|-----|--------|-----|-------|-----|-----|----|----|--------|------------|------|-------|
| 345 | 1/2" | DFS080G | 1/2" GAS | 13 | 38,10 | 57 | 17,48 | 46 | 72 | 32 | 19 | M8x30 | 5/16x1"1/4 | 4075 | 0,57 |
| 345 | 1/2" | DFS080G038 | 3/8" GAS | 13 | 38,10 | 57 | 17,48 | 46 | 72 | 32 | 19 | M8x30 | 5/16x1"1/4 | 4075 | 0,61 |
| 345 | 3/4" | DFS100G | 3/4" GAS | 19 | 47,63 | 65 | 22,23 | 50 | 72 | 36 | 19 | M10x35 | 3/8x1"1/2 | 4100 | 0,90 |
| 345 | 3/4" | DFS100G012 | 1/2" GAS | 13 | 47,63 | 65 | 22,23 | 50 | 72 | 36 | 19 | M10x35 | 3/8x1"1/2 | 4100 | 0,97 |
| 345 | 1" | DFS102G | 1" GAS | 25 | 52,37 | 70 | 26,19 | 55 | 76 | 36 | 22 | M10x35 | 3/8x1"1/2 | 4131 | 1,06 |
| 345 | 1" | DFS102G034 | 3/4" GAS | 19 | 52,37 | 70 | 26,19 | 55 | 70 | 42 | 19 | M10x40 | 3/8x1"1/2 | 4131 | 1,19 |
| 276 | 1"1/4 | DFS104G | 1"1/4 GAS | 32 | 58,72 | 79 | 30,18 | 68 | 80 | 42 | 22 | M10x40 | 7/16x1"3/4 | 4150 | 1,50 |
| 276 | 1"1/4 | DFS104G100 | 1" GAS | 25 | 58,72 | 81 | 30,18 | 65 | 84 | 50 | 24 | M10x40 | 7/16x1"3/4 | 4150 | 1,78 |
| 207 | 1"1/2 | DFS106G | 1"1/2 GAS | 38 | 69,85 | 93 | 35,71 | 78 | 90 | 50 | 24 | M12x45 | 1/2x1"3/4 | 4187 | 2,37 |
| 207 | 1"1/2 | DFS106G114 | 1"1/4 GAS | 32 | 69,85 | 95 | 35,71 | 78 | 90 | 54 | 24 | M12x45 | 1/2x1"3/4 | 4187 | 2,61 |
| 207 | 2" | DFS108G | 2" GAS | 51 | 77,77 | 102 | 42,88 | 90 | 90 | 50 | 30 | M12x45 | 1/2x1"3/4 | 4225 | 2,61 |
| 207 | 2" | DFS108G112 | 1"1/2 GAS | 38 | 77,77 | 102 | 42,88 | 90 | 90 | 50 | 26 | M12x45 | 1/2x1"3/4 | 4225 | 3,31 |
| 172 | 2"1/2 | DFS110G | 2"1/2 GAS | 63 | 88,90 | 114 | 50,80 | 105 | 100 | 50 | 30 | M12x45 | 1/2x1"3/4 | 4275 | 3,45 |
| 173 | 2"1/2 | DFS110G200 | 2" GAS | 51 | 88,90 | 114 | 50,80 | 105 | 100 | 50 | 30 | M12x45 | 1/2x1"3/4 | 4275 | 4,53 |
| 138 | 3" | DFS112G | 3" GAS | 73 | 106,38 | 134 | 61,93 | 124 | 100 | 54 | 34 | M16x50 | 5/8x2" | 4337 | 5,09 |
| 138 | 3" | DFS112G212 | 2"1/2 GAS | 63 | 106,38 | 134 | 61,93 | 124 | 100 | 54 | 30 | M16x50 | 5/8x2" | 4337 | 5,65 |
| 34 | 3"1/2 | DFS114G | 3"1/2 GAS | 89 | 120,65 | 152 | 69,85 | 136 | 96 | 54 | 34 | M16x50 | 5/8x2" | 4387 | 5,36 |
| 34 | 3"1/2 | DFS114G300 | 3" GAS | 73 | 120,65 | 152 | 69,85 | 136 | 96 | 54 | 34 | M16x50 | 5/8x2" | 4387 | 7,08 |
| 34 | 4" | DFS116G | 4" GAS | 99 | 130,18 | 162 | 77,77 | 146 | 96 | 54 | 34 | M16x50 | 5/8x2" | 4437 | 6,08 |
| 34 | 4" | DFS116G312 | 3"1/2 GAS | 89 | 130,18 | 162 | 77,77 | 146 | 96 | 54 | 34 | M16x50 | 5/8x2" | 4437 | 7,12 |
| 34 | 5" | DFS118G (•) | 5" GAS | 120 | 152,40 | 184 | 92,08 | 180 | 100 | 56 | 30 | M16x50 | 5/8x2" | 4537 | 12,12 |

SERIE 6000

| | | | | | | | | | | | | | | | |
|-----|-------|-------------|-----------|----|--------|-----|-------|-----|-----|-----|----|---------|------------|------|------|
| 414 | 1/2" | DFS401G012 | 1/2" GAS | 13 | 40,49 | 57 | 18,24 | 46 | 72 | 32 | 19 | M8x30 | 5/16x1"1/4 | 4075 | 0,57 |
| 414 | 1/2" | DFS401G038 | 3/8" GAS | 13 | 40,49 | 57 | 18,24 | 46 | 72 | 32 | 19 | M8x30 | 5/16x1"1/4 | 4075 | 0,63 |
| 414 | 3/4" | DFS402G | 3/4" GAS | 19 | 50,80 | 71 | 23,80 | 55 | 70 | 42 | 19 | M10x40 | 3/8x1"1/2 | 4100 | 1,19 |
| 414 | 3/4" | DFS402G012 | 1/2" GAS | 13 | 50,80 | 71 | 23,80 | 55 | 70 | 42 | 19 | M10x40 | 3/8x1"1/2 | 4100 | 1,29 |
| 414 | 1" | DFS403G | 1" GAS | 25 | 57,15 | 81 | 27,76 | 65 | 84 | 50 | 22 | M12x45 | 7/16x1"3/4 | 4131 | 1,88 |
| 414 | 1" | DFS403G034 | 3/4" GAS | 19 | 57,15 | 81 | 27,76 | 65 | 84 | 50 | 22 | M12x45 | 7/16x1"3/4 | 4131 | 1,94 |
| 414 | 1"1/4 | DFS404G | 1"1/4 GAS | 32 | 66,68 | 95 | 31,75 | 78 | 90 | 54 | 23 | M14x45 | 1/2x1"3/4 | 4150 | 2,63 |
| 414 | 1"1/4 | DFS404G100 | 1" GAS | 25 | 66,68 | 95 | 31,75 | 78 | 90 | 54 | 23 | M14x45 | 1/2x1"3/4 | 4150 | 2,89 |
| 414 | 1"1/2 | DFS405G | 1"1/2 GAS | 38 | 79,38 | 112 | 36,50 | 94 | 100 | 60 | 26 | M16x50 | 5/8x2" | 4187 | 4,14 |
| 414 | 1"1/2 | DFS405G114 | 1"1/4 GAS | 32 | 79,38 | 112 | 36,50 | 94 | 100 | 60 | 26 | M16x50 | 5/8x2" | 4187 | 4,41 |
| 414 | 2" | DFS406G | 2" GAS | 51 | 96,82 | 134 | 44,45 | 114 | 130 | 74 | 30 | M20x70 | 3/4x2"1/2 | 4225 | 7,65 |
| 414 | 2" | DFS406G112 | 1"1/2 GAS | 38 | 96,82 | 134 | 44,45 | 114 | 130 | 74 | 30 | M20x70 | 3/4x2"1/2 | 4225 | 8,63 |
| 414 | 2"1/2 | DFS507G (•) | 2"1/2 GAS | 63 | 123,80 | 180 | 58,70 | 152 | 160 | 90 | 32 | M24x80 | - | 4275 | |
| 414 | 3" | DFS508G (•) | 3" GAS | 73 | 152,40 | 208 | 71,40 | 178 | 180 | 110 | 40 | M30x100 | - | 4337 | |

**DESIGNAZIONE PER ORDINE
DESIGNATION FOR ORDER**

Flangia + controflangia + set viti metriche
Flange + counter-flange + metric screws set

Flangia + controflangia + set viti unc
Flange + counter-flange + unc screws set

Materiale / Material

ST52.3 **AISI 316L**

DFS...GM **DFX...GM**

DFS...GU **DFX...GU**

NOTE / NOTES

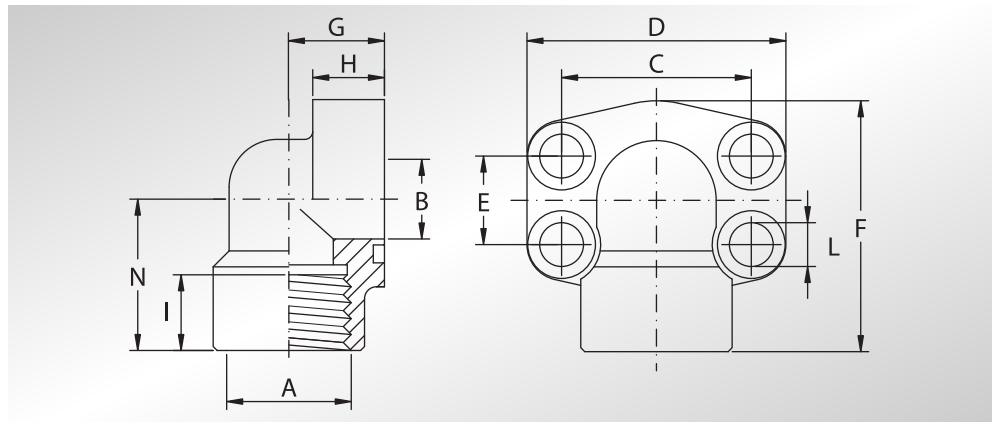
- (•) Solo in ST52.3
- (•) Only in ST52.3

set viti unc disponibili solo in acciaio al carbonio.
unc screws set available only in carbon steel.



FLANGE A 90° FILETTATE GAS

BSP THREADED 90° FLANGES



| Pressione max di esercizio raccomandata Kg/cm ² | Grandezza | Tipo | Dimensioni | | | | | | | | | | Viti | | Or tipo | Peso Kg | |
|--|-----------|------|------------|---|---|---|---|---|---|---|---|---|--------|--------|---------|---------|-----------|
| | | | Dimensions | | | | | | | | | | Screws | | | | |
| Maximum recommended working pressure Kg/cm ² | Size | Type | A | B | C | D | E | F | G | H | I | L | N | Metric | Unc | Or type | Weight Kg |

SERIE 3000

| | | | | | | | | | | | | | | | | | |
|-----|-------|--------------|-----------|----|-------|-----|-------|-----|----|----|----|------|----|--------|------------|------|------|
| 345 | 1/2" | AFS08090G | 1/2" GAS | 13 | 38,10 | 54 | 17,48 | 60 | 20 | 16 | 19 | 9 | 37 | M8x30 | 5/16x1"1/4 | 4075 | 0,28 |
| 345 | 1/2" | AFS08090G038 | 3/8" GAS | 13 | 38,10 | 54 | 17,48 | 60 | 20 | 16 | 19 | 9 | 37 | M8x30 | 5/16x1"1/4 | 4075 | 0,29 |
| 345 | 3/4" | AFS10090G | 3/4" GAS | 19 | 47,63 | 65 | 22,23 | 63 | 24 | 18 | 19 | 11 | 38 | M10x35 | 3/8x1"1/2 | 4100 | 0,45 |
| 345 | 3/4" | AFS10090G012 | 1/2" GAS | 19 | 47,63 | 65 | 22,23 | 63 | 24 | 18 | 19 | 11 | 38 | M10x35 | 3/8x1"1/2 | 4100 | 0,48 |
| 345 | 1" | AFS10290G | 1" GAS | 25 | 52,37 | 70 | 26,19 | 70 | 28 | 19 | 20 | 11 | 43 | M10x35 | 3/8x1"1/2 | 4131 | 0,56 |
| 345 | 1" | AFS10290G034 | 3/4" GAS | 25 | 52,37 | 70 | 26,19 | 70 | 28 | 19 | 20 | 11 | 43 | M10x40 | 3/8x1"1/2 | 4131 | 0,60 |
| 276 | 1"1/4 | AFS10490G | 1"1/4 GAS | 32 | 58,72 | 79 | 30,18 | 85 | 34 | 21 | 22 | 11,5 | 51 | M10x40 | 7/16x1"3/4 | 4150 | 0,89 |
| 276 | 1"1/4 | AFS10490G100 | 1" GAS | 32 | 58,72 | 79 | 30,18 | 85 | 34 | 21 | 22 | 11,5 | 51 | M10x40 | 7/16x1"3/4 | 4150 | 0,92 |
| 207 | 1"1/2 | AFS10690G | 1"1/2 GAS | 38 | 69,85 | 93 | 35,71 | 95 | 38 | 25 | 25 | 13,5 | 56 | M12x45 | 1/2x1"3/4 | 4187 | 1,18 |
| 207 | 1"1/2 | AFS10690G114 | 1"1/4 GAS | 38 | 69,85 | 93 | 35,71 | 95 | 38 | 25 | 25 | 13,5 | 56 | M12x45 | 1/2x1"3/4 | 4187 | 1,21 |
| 207 | 2" | AFS10890G | 2" GAS | 51 | 77,77 | 110 | 42,88 | 110 | 42 | 25 | 28 | 13,5 | 65 | M12x45 | 1/2x1"3/4 | 4225 | 2,06 |
| 207 | 2" | AFS10890G112 | 1"1/2 GAS | 51 | 77,77 | 110 | 42,88 | 110 | 42 | 25 | 28 | 13,5 | 65 | M12x45 | 1/2x1"3/4 | 4225 | 2,10 |

SERIE 6000

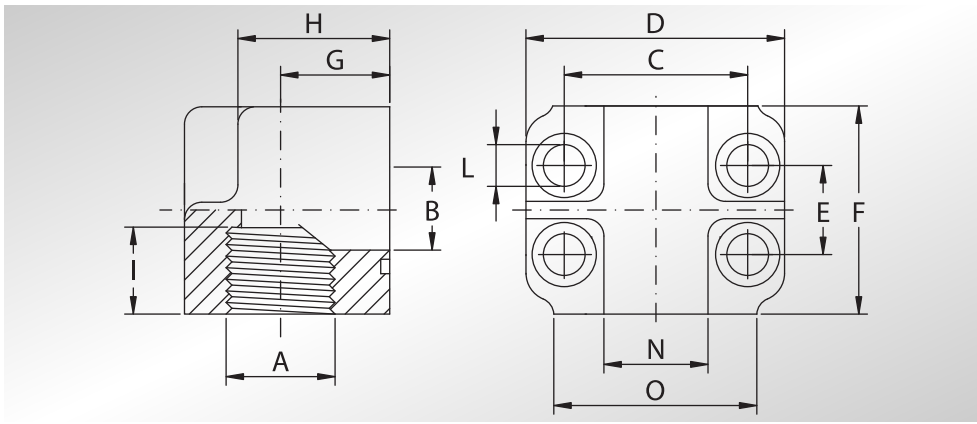
| | | | | | | | | | | | | | | | | | |
|-----|-------|--------------|-----------|----|-------|-----|-------|-----|----|----|----|------|----|--------|------------|------|------|
| 414 | 1/2" | AFS40190G012 | 1/2" GAS | 13 | 40,49 | 54 | 18,24 | 60 | 20 | 16 | 19 | 9 | 37 | M8x30 | 5/16x1"1/4 | 4075 | 0,28 |
| 414 | 1/2" | AFS40190G038 | 3/8" GAS | 13 | 40,49 | 54 | 18,24 | 60 | 20 | 16 | 19 | 9 | 37 | M8x30 | 5/16x1"1/4 | 4075 | 0,29 |
| 414 | 3/4" | AFS40290G | 3/4" GAS | 19 | 50,80 | 70 | 23,80 | 70 | 28 | 19 | 20 | 11 | 43 | M10x35 | 3/8x1"1/2 | 4100 | 0,69 |
| 414 | 3/4" | AFS40290G012 | 1/2" GAS | 19 | 50,80 | 70 | 23,80 | 70 | 28 | 19 | 20 | 11 | 43 | M10x35 | 3/8x1"1/2 | 4100 | 0,72 |
| 414 | 1" | AFS40390G | 1" GAS | 25 | 57,15 | 79 | 27,76 | 85 | 34 | 21 | 22 | 13 | 51 | M12x45 | 7/16x1"3/4 | 4131 | 1,11 |
| 414 | 1" | AFS40390G034 | 3/4" GAS | 25 | 57,15 | 79 | 27,76 | 85 | 34 | 21 | 22 | 13 | 51 | M12x45 | 7/16x1"3/4 | 4131 | 1,15 |
| 414 | 1"1/4 | AFS40490G | 1"1/4 GAS | 32 | 66,68 | 93 | 31,75 | 95 | 38 | 25 | 25 | 15 * | 56 | M14x45 | 1/2x1"3/4 | 4150 | 1,45 |
| 414 | 1"1/4 | AFS40490G100 | 1" GAS | 32 | 66,68 | 93 | 31,75 | 95 | 38 | 25 | 25 | 15 * | 56 | M14x45 | 1/2x1"3/4 | 4150 | 1,50 |
| 414 | 1"1/2 | AFS40590G | 1"1/2 GAS | 38 | 79,38 | 110 | 36,50 | 110 | 42 | 25 | 28 | 17 | 65 | M16x50 | 5/8x2" | 4187 | 2,75 |
| 414 | 1"1/2 | AFS40590G114 | 1"1/4 GAS | 38 | 79,38 | 110 | 36,50 | 110 | 42 | 25 | 28 | 17 | 65 | M16x50 | 5/8x2" | 4187 | 2,80 |
| 414 | 2" | AFS40690G | 2" GAS | 51 | 96,82 | 134 | 44,45 | 132 | 45 | 35 | 33 | 21 | 75 | M20x70 | 3/4x2"1/2 | 4225 | 3,95 |
| 414 | 2" | AFS40690G112 | 1"1/2 GAS | 51 | 96,82 | 134 | 44,45 | 132 | 45 | 35 | 33 | 21 | 75 | M20x70 | 3/4x2"1/2 | 4225 | 4,40 |

| DESIGNAZIONE PER ORDINE DESIGNATION FOR ORDER | Materiale / Material | |
|--|----------------------|-------------------|
| | ST52.3 | AISI 316L |
| Solo flangia Only flange | AFS...90G | AFX...90G |
| Flangia completa di viti metriche, grower e o-ring Flange complete of metric screws, grower type washers and o-ring | AFS...90GM | AFX...90GM |
| Flangia completa di viti unc, grower e o-ring Flange complete of unc screws, grower type washers and o-ring | AFS...90GU | AFX...90GU |

NOTE / NOTES

- * Per viti unc L=13,5
- * For unc screws L=13,5

set viti unc disponibili solo in acciaio al carbonio.
unc screws set available only in carbon steel.



**FLANGE A 90°
FILETTATE
GAS**



**BSP
THREADED
90° FLANGES**

| Pressione max di esercizio raccomandata Kg/cm ² | Grandezza | Tipo | Dimensioni | | | | | | | | | | | Viti | Or tipo | Peso Kg | |
|--|-----------|------|------------|---|---|---|---|---|---|---|---|---|---|--------|---------|-----------|--|
| Maximum recommended working pressure Kg/cm ² | Size | Type | Dimensions | | | | | | | | | | | Screws | Or type | Weight Kg | |
| | | | A | B | C | D | E | F | G | H | I | L | N | O | Metric | | |

SERIE 3000

| | | | | | | | | | | | | | | | | | |
|-----|-------|-------------|-----------|----|-------|-----|-------|-----|----|----|----|------|----|----|--------|------|------|
| 345 | 3/4" | AFS20090G | 3/4" GAS | 19 | 47,63 | 66 | 22,23 | 46 | 19 | 27 | 19 | 11 | 28 | 48 | M10x45 | 4100 | 0,52 |
| 345 | 1" | AFS20290G | 1" GAS | 25 | 52,37 | 71 | 26,19 | 55 | 22 | 34 | 19 | 11 | 32 | 50 | M10x50 | 4131 | 0,87 |
| 276 | 1"1/4 | AFS20490G | 1"1/4 GAS | 32 | 58,72 | 81 | 30,18 | 65 | 27 | 42 | 22 | 11,5 | 35 | 60 | M10x60 | 4150 | 1,35 |
| 207 | 1"1/2 | AFS20690G | 1"1/2 GAS | 38 | 69,85 | 95 | 35,71 | 75 | 32 | 50 | 24 | 13,5 | 42 | 70 | M12x70 | 4187 | 2,15 |
| 207 | 2" | AFS20890G | 2" GAS | 51 | 77,77 | 112 | 42,88 | 90 | 40 | 63 | 26 | 13,5 | 50 | 80 | M12x80 | 4225 | 3,70 |
| 172 | 2"1/2 | AFS21090G * | 2"1/2 GAS | 63 | 88,90 | 120 | 50,80 | 120 | 53 | 99 | 30 | 13,5 | - | - | - | 4275 | 8,20 |

SERIE 6000

| | | | | | | | | | | | | | | | | | |
|-----|-------|-----------|-----------|----|-------|-----|-------|----|----|----|----|----|----|----|--------|------|------|
| 414 | 3/4" | AFS70090G | 3/4" GAS | 19 | 50,80 | 71 | 23,80 | 55 | 22 | 34 | 22 | 11 | 32 | 50 | M10x50 | 4100 | 0,97 |
| 414 | 1" | AFS70290G | 1" GAS | 25 | 57,15 | 81 | 27,76 | 65 | 27 | 42 | 24 | 13 | 35 | 60 | M12x60 | 4131 | 1,50 |
| 414 | 1"1/4 | AFS70490G | 1"1/4 GAS | 32 | 66,68 | 95 | 31,75 | 75 | 32 | 50 | 25 | 15 | 42 | 70 | M14x70 | 4150 | 2,29 |
| 414 | 1"1/2 | AFS70690G | 1"1/2 GAS | 38 | 79,38 | 112 | 36,50 | 90 | 40 | 63 | 28 | 17 | 50 | 80 | M16x90 | 4187 | 4,08 |

| DESIGNAZIONE PER ORDINE DESIGNATION FOR ORDER | Materiale / Material ST52.3 |
|--|--------------------------------|
| Solo flangia Only flange | AFS...90G |
| Flangia completa di viti metriche, grower e o-ring Flange complete of metric screws, grower type washers and o-ring | AFS...90GM |

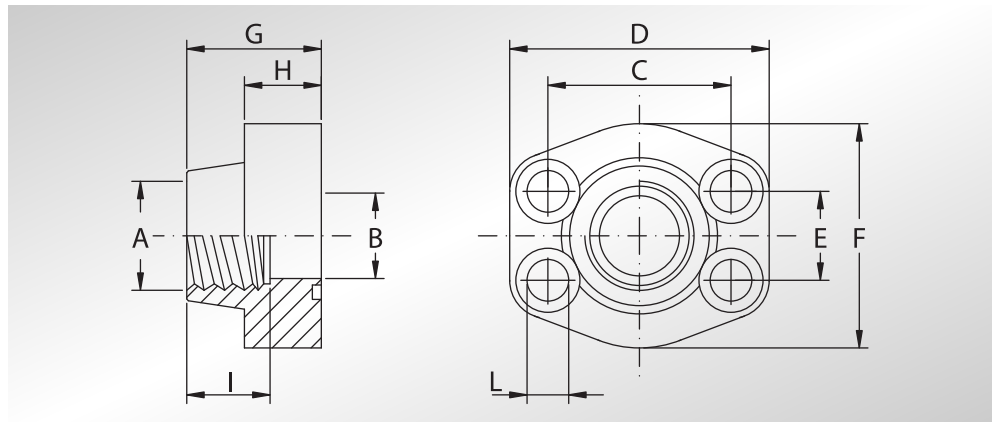
NOTE / NOTES

- * Ricavata da barra.
- * Obtained from bar.



FLANGE FILETATE NPT

NPT THREADED FLANGES



| Pressione max di esercizio raccomandata Kg/cm ² | Grandezza | Tipo | Dimensioni | | | | | | | | | | | Viti | | Or tipo | Peso Kg |
|--|-----------|------|------------|---|---|---|---|---|---|---|---|---|--------|--------|--|---------|-----------|
| Maximum recommended working pressure Kg/cm ² | Size | Type | Dimensions | | | | | | | | | | | Screws | | Or type | Weight Kg |
| | | | A | B | C | D | E | F | G | H | I | L | Metric | Unc | | | |

SERIE 3000

| | | | | | | | | | | | | | | | | |
|-----|-------|-------------|-----------|-----|--------|-----|-------|-----|----|----|----|------|--------|------------|------|------|
| 345 | 1/2" | AFS080N | 1/2" NPT | 13 | 38,10 | 57 | 17,48 | 46 | 36 | 16 | 19 | 9 | M8x30 | 5/16x1"1/4 | 4075 | 0,25 |
| 345 | 1/2" | AFS080N038 | 3/8" NPT | 13 | 38,10 | 57 | 17,48 | 46 | 36 | 16 | 19 | 9 | M8x30 | 5/16x1"1/4 | 4075 | 0,27 |
| 345 | 3/4" | AFS100N | 3/4" NPT | 19 | 47,63 | 65 | 22,23 | 50 | 36 | 18 | 19 | 11 | M10x35 | 3/8x1"1/2 | 4100 | 0,37 |
| 345 | 3/4" | AFS100N012 | 1/2" NPT | 13 | 47,63 | 65 | 22,23 | 50 | 36 | 18 | 19 | 11 | M10x35 | 3/8x1"1/2 | 4100 | 0,40 |
| 345 | 1" | AFS102N | 1" NPT | 25 | 52,37 | 70 | 26,19 | 55 | 38 | 18 | 22 | 11 | M10x35 | 3/8x1"1/2 | 4131 | 0,45 |
| 345 | 1" | AFS102N034 | 3/4" NPT | 19 | 52,37 | 70 | 26,19 | 55 | 35 | 21 | 19 | 11 | M10x40 | 3/8x1"1/2 | 4131 | 0,51 |
| 276 | 1"1/4 | AFS104N | 1"1/4 NPT | 32 | 58,72 | 79 | 30,18 | 68 | 41 | 21 | 22 | 11,5 | M10x40 | 7/16x1"3/4 | 4150 | 0,66 |
| 276 | 1"1/4 | AFS104N100 | 1" NPT | 25 | 58,72 | 81 | 30,18 | 65 | 42 | 25 | 24 | 11,5 | M10x40 | 7/16x1"3/4 | 4150 | 0,80 |
| 207 | 1"1/2 | AFS106N | 1"1/2 NPT | 38 | 69,85 | 93 | 35,71 | 78 | 45 | 25 | 24 | 13,5 | M12x45 | 1/2x1"3/4 | 4187 | 1,05 |
| 207 | 1"1/2 | AFS106N114 | 1"1/4 NPT | 32 | 69,85 | 95 | 35,71 | 78 | 45 | 27 | 24 | 13,5 | M12x45 | 1/2x1"3/4 | 4187 | 1,17 |
| 207 | 2" | AFS108N | 2" NPT | 51 | 77,77 | 102 | 42,88 | 90 | 45 | 25 | 30 | 13,5 | M12x45 | 1/2x1"3/4 | 4225 | 1,17 |
| 207 | 2" | AFS108N112 | 1"1/2 NPT | 38 | 77,77 | 102 | 42,88 | 90 | 45 | 25 | 26 | 13,5 | M12x45 | 1/2x1"3/4 | 4225 | 1,52 |
| 172 | 2"1/2 | AFS110N | 2"1/2 NPT | 63 | 88,90 | 114 | 50,80 | 105 | 50 | 25 | 30 | 13,5 | M12x45 | 1/2x1"3/4 | 4275 | 1,59 |
| 138 | 3" | AFS112N | 3" NPT | 73 | 106,38 | 134 | 61,93 | 124 | 50 | 27 | 34 | 17,5 | M16x50 | 5/8x2" | 4337 | 2,28 |
| 34 | 3"1/2 | AFS114N | 3"1/2 NPT | 89 | 120,65 | 152 | 69,85 | 136 | 48 | 27 | 34 | 17,5 | M16x50 | 5/8x2" | 4387 | 2,42 |
| 34 | 4" | AFS116N | 4" NPT | 99 | 130,18 | 162 | 77,77 | 146 | 48 | 27 | 34 | 17,5 | M16x50 | 5/8x2" | 4437 | 2,78 |
| 34 | 5" | AFS118N (•) | 5" NPT | 120 | 152,40 | 184 | 92,08 | 180 | 50 | 28 | 30 | 17,5 | M16x50 | 5/8x2" | 4537 | 5,80 |

SERIE 6000

| | | | | | | | | | | | | | | | | |
|-----|-------|-------------|-----------|----|--------|-----|-------|-----|----|----|----|------|---------|------------|------|------|
| 414 | 1/2" | AFS401N012 | 1/2" NPT | 13 | 40,49 | 57 | 18,24 | 46 | 36 | 16 | 19 | 9 | M8x30 | 5/16x1"1/4 | 4075 | 0,25 |
| 414 | 1/2" | AFS401N038 | 3/8" NPT | 13 | 40,49 | 57 | 18,24 | 46 | 36 | 16 | 19 | 9 | M8x30 | 5/16x1"1/4 | 4075 | 0,28 |
| 414 | 3/4" | AFS402N | 3/4" NPT | 19 | 50,80 | 71 | 23,80 | 55 | 35 | 21 | 19 | 11 | M10x40 | 3/8x1"1/2 | 4100 | 0,51 |
| 414 | 3/4" | AFS402N012 | 1/2" NPT | 13 | 50,80 | 71 | 23,80 | 55 | 35 | 21 | 19 | 11 | M10x40 | 3/8x1"1/2 | 4100 | 0,56 |
| 414 | 1" | AFS403N | 1" NPT | 25 | 57,15 | 81 | 27,76 | 65 | 42 | 25 | 22 | 13 | M12x45 | 7/16x1"3/4 | 4131 | 0,81 |
| 414 | 1" | AFS403N034 | 3/4" NPT | 19 | 57,15 | 81 | 27,76 | 65 | 42 | 25 | 22 | 13 | M12x45 | 7/16x1"3/4 | 4131 | 0,84 |
| 414 | 1"1/4 | AFS404N | 1"1/4 NPT | 32 | 66,68 | 95 | 31,75 | 78 | 45 | 27 | 23 | 15 * | M14x45 | 1/2x1"3/4 | 4150 | 1,13 |
| 414 | 1"1/4 | AFS404N100 | 1" NPT | 25 | 66,68 | 95 | 31,75 | 78 | 45 | 27 | 23 | 15 * | M14x45 | 1/2x1"3/4 | 4150 | 1,26 |
| 414 | 1"1/2 | AFS405N | 1"1/2 NPT | 38 | 79,38 | 112 | 36,50 | 94 | 50 | 30 | 26 | 17 | M16x50 | 5/8x2" | 4187 | 1,81 |
| 414 | 1"1/2 | AFS405N114 | 1"1/4 NPT | 32 | 79,38 | 112 | 36,50 | 94 | 50 | 30 | 26 | 17 | M16x50 | 5/8x2" | 4187 | 1,95 |
| 414 | 2" | AFS406N | 2" NPT | 51 | 96,82 | 134 | 44,45 | 114 | 65 | 37 | 30 | 21 | M20x70 | 3/4x2"1/2 | 4225 | 3,31 |
| 414 | 2" | AFS406N112 | 1"1/2 NPT | 38 | 96,82 | 134 | 44,45 | 114 | 65 | 37 | 30 | 21 | M20x70 | 3/4x2"1/2 | 4225 | 3,8 |
| 414 | 2"1/2 | AFS507N (•) | 2"1/2 NPT | 63 | 123,80 | 180 | 58,70 | 152 | 80 | 45 | 32 | 26 | M24x80 | - | 4275 | 6,75 |
| 414 | 3" | AFS508N (•) | 3" NPT | 73 | 152,40 | 208 | 71,40 | 178 | 90 | 55 | 40 | 33 | M30x100 | - | 4337 | - |

| DESIGNAZIONE PER ORDINE DESIGNATION FOR ORDER | Materiale / Material | |
|--|----------------------|-----------------|
| | ST52.3 | AISI 316L |
| Solo flangia Only flange | AFS...N | AFX...N |
| Flangia completa di viti metriche, grower e o-ring Flange complete of metric screws, grower type washers and o-ring | AFS...NM | AFX...NM |
| Flangia completa di viti unc, grower e o-ring Flange complete of unc screws, grower type washers and o-ring | AFS...NU | AFX...NU |

NOTE / NOTES

* Per viti unc L=13,5
* For unc screws L=13,5

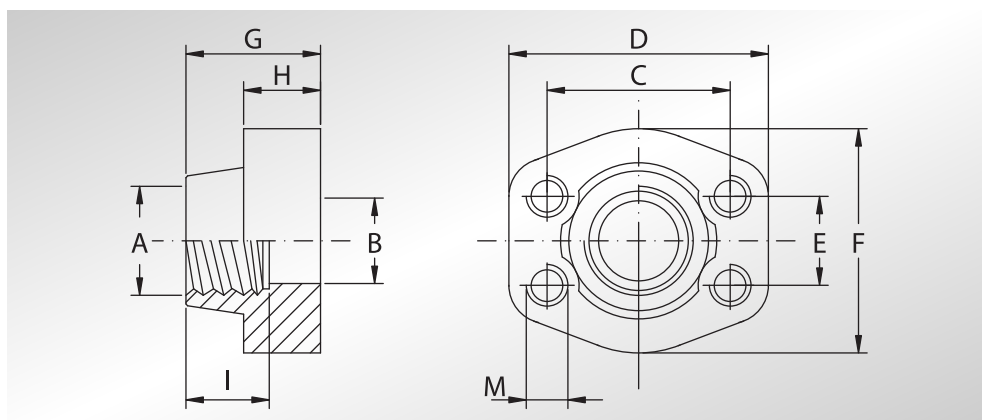
(•) Solo in ST52.3
(•) Only in ST52.3

set viti unc disponibili solo in acciaio al carbonio.
unc screws set available only in carbon steel.

**CONTROFLANGE
FILETTATE
NPT**



**NPT
THREADED
COUNTER-FLANGES**



| Pressione max di esercizio raccomandata Kg/cm ² | Grandezza | Tipo | Dimensioni | | | | | | | | | | | Peso Kg | |
|--|-----------|------------|------------|-----|--------|-----|-------|-----|----|----|----|-----|------|-----------|-----|
| Maximum recommended working pressure Kg/cm ² | Size | Type | Dimensions | | | | | | | | | | | Weight Kg | |
| | | | A | B | C | D | E | F | G | H | I | M | | | |
| | | | | | | | | | | | | | | Metric | Unc |
| SERIE 3000 | | | | | | | | | | | | | | | |
| 345 | 1/2" | GFS080N | 1/2" NPT | 13 | 38,10 | 57 | 17,48 | 46 | 36 | 16 | 19 | M8 | 5/16 | 0,26 | |
| 345 | 1/2" | GFS080N038 | 3/8" NPT | 13 | 38,10 | 57 | 17,48 | 46 | 36 | 16 | 19 | M8 | 5/16 | 0,28 | |
| 345 | 3/4" | GFS100N | 3/4" NPT | 19 | 47,63 | 65 | 22,23 | 50 | 36 | 18 | 19 | M10 | 3/8 | 0,41 | |
| 345 | 3/4" | GFS100N012 | 1/2" NPT | 13 | 47,63 | 65 | 22,23 | 50 | 36 | 18 | 19 | M10 | 3/8 | 0,44 | |
| 345 | 1" | GFS102N | 1" NPT | 25 | 52,37 | 70 | 26,19 | 55 | 38 | 18 | 22 | M10 | 3/8 | 0,49 | |
| 345 | 1" | GFS102N034 | 3/4" NPT | 19 | 52,37 | 70 | 26,19 | 55 | 35 | 21 | 19 | M10 | 3/8 | 0,55 | |
| 276 | 1"1/4" | GFS104N | 1"1/4" NPT | 32 | 58,72 | 79 | 30,18 | 68 | 41 | 21 | 22 | M10 | 7/16 | 0,71 | |
| 276 | 1"1/4" | GFS104N100 | 1" NPT | 25 | 58,72 | 81 | 30,18 | 65 | 42 | 25 | 24 | M10 | 7/16 | 0,85 | |
| 207 | 1"1/2" | GFS106N | 1"1/2" NPT | 38 | 69,85 | 93 | 35,71 | 78 | 45 | 25 | 24 | M12 | 1/2 | 1,12 | |
| 207 | 1"1/2" | GFS106N114 | 1"1/4" NPT | 32 | 69,85 | 95 | 35,71 | 78 | 45 | 27 | 24 | M12 | 1/2 | 1,24 | |
| 207 | 2" | GFS108N | 2" NPT | 51 | 77,77 | 102 | 42,88 | 90 | 45 | 25 | 30 | M12 | 1/2 | 1,24 | |
| 207 | 2" | GFS108N112 | 1"1/2" NPT | 38 | 77,77 | 102 | 42,88 | 90 | 45 | 25 | 26 | M12 | 1/2 | 1,59 | |
| 172 | 2"1/2" | GFS110N | 2"1/2" NPT | 63 | 88,90 | 114 | 50,80 | 105 | 50 | 25 | 30 | M12 | 1/2 | 1,66 | |
| 138 | 3" | GFS112N | 3" NPT | 73 | 106,38 | 134 | 61,93 | 124 | 50 | 27 | 34 | M16 | 5/8 | 2,37 | |
| 34 | 3"1/2" | GFS114N | 3"1/2" NPT | 89 | 120,65 | 152 | 69,85 | 136 | 48 | 27 | 34 | M16 | 5/8 | 2,51 | |
| 34 | 4" | GFS116N | 4" NPT | 99 | 130,18 | 162 | 77,77 | 146 | 48 | 27 | 34 | M16 | 5/8 | 2,87 | |
| 34 | 5" | GFS118N(*) | 5" NPT | 120 | 152,40 | 184 | 92,08 | 180 | 50 | 28 | 30 | M16 | 5/8 | 5,80 | |

| | | | | | | | | | | | | | | |
|-------------------|--------|-------------|------------|----|--------|-----|-------|-----|----|----|----|-----|------|------|
| SERIE 6000 | | | | | | | | | | | | | | |
| 414 | 1/2" | GFS401N012 | 1/2" NPT | 13 | 40,49 | 57 | 18,24 | 46 | 36 | 16 | 19 | M8 | 5/16 | 0,26 |
| 414 | 1/2" | GFS401N038 | 3/8" NPT | 13 | 40,49 | 57 | 18,24 | 46 | 36 | 16 | 19 | M8 | 5/16 | 0,29 |
| 414 | 3/4" | GFS402N | 3/4" NPT | 19 | 50,80 | 71 | 23,80 | 55 | 35 | 21 | 19 | M10 | 3/8 | 0,55 |
| 414 | 3/4" | GFS402N012 | 1/2" NPT | 13 | 50,80 | 71 | 23,80 | 55 | 35 | 21 | 19 | M10 | 3/8 | 0,60 |
| 414 | 1" | GFS403N | 1" NPT | 25 | 57,15 | 81 | 27,76 | 65 | 42 | 25 | 22 | M12 | 7/16 | 0,87 |
| 414 | 1" | GFS403N034 | 3/4" NPT | 19 | 57,15 | 81 | 27,76 | 65 | 42 | 25 | 22 | M12 | 7/16 | 0,9 |
| 414 | 1"1/4" | GFS404N | 1"1/4" NPT | 32 | 66,68 | 95 | 31,75 | 78 | 45 | 27 | 23 | M14 | 1/2 | 1,21 |
| 414 | 1"1/4" | GFS404N100 | 1" NPT | 25 | 66,68 | 95 | 31,75 | 78 | 45 | 27 | 23 | M14 | 1/2 | 1,34 |
| 414 | 1"1/2" | GFS405N | 1"1/2" NPT | 38 | 79,38 | 112 | 36,50 | 94 | 50 | 30 | 26 | M16 | 5/8 | 1,90 |
| 414 | 1"1/2" | GFS405N114 | 1"1/4" NPT | 32 | 79,38 | 112 | 36,50 | 94 | 50 | 30 | 26 | M16 | 5/8 | 2,03 |
| 414 | 2" | GFS406N | 2" NPT | 51 | 96,82 | 134 | 44,45 | 114 | 65 | 37 | 30 | M20 | 3/4 | 3,43 |
| 414 | 2" | GFS406N112 | 1"1/2" NPT | 38 | 96,82 | 134 | 44,45 | 114 | 65 | 37 | 30 | M20 | 3/4 | 3,92 |
| 414 | 2"1/2" | GFS507N (*) | 2"1/2" NPT | 63 | 123,80 | 180 | 58,70 | 152 | 80 | 45 | 32 | M24 | - | 6,98 |
| 414 | 3" | GFS508N (*) | 3" NPT | 73 | 152,40 | 208 | 71,40 | 178 | 90 | 55 | 40 | M30 | - | - |

| DESIGNAZIONE PER ORDINE DESIGNATION FOR ORDER | Materiale / Material | |
|---|----------------------|-----------------|
| | ST52.3 | AISI 316L |
| Controflangia con fori di fissaggio filettati metrici Counter-flange with metric threaded fixing holes | GFS...N | GFX...N |
| Controflangia con fori di fissaggio filettati unc Counter-flange with unc threaded fixing holes | GFS...NU | GFX...NU |

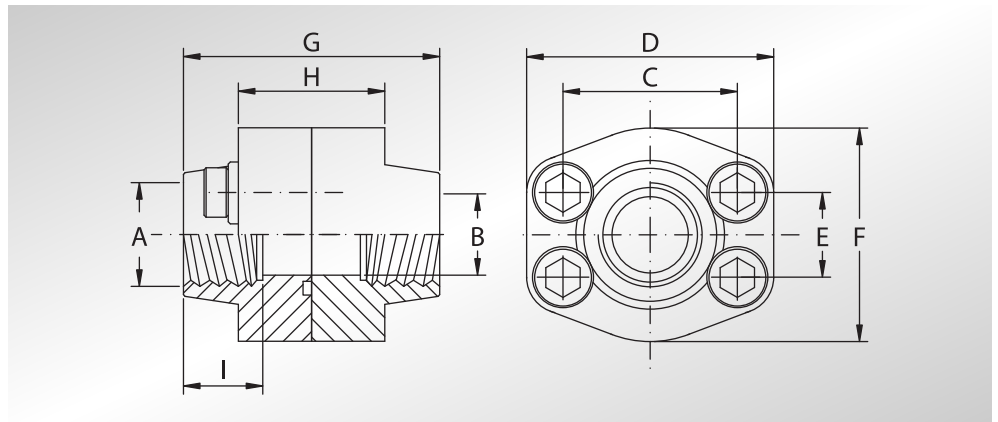
NOTE / NOTES

- (*) Solo in ST52.3
- (*) Only in ST52.3



DOPPIE FLANGE FILETTATE NPT

NPT THREADED DOUBLE FLANGES



| Pressione max di esercizio raccomandata Kg/cm ² | Grandezza | Tipo | Dimensioni | | | | | | | | | Viti | | Or tipo | Peso Kg |
|--|-----------|------|------------|---|---|---|---|---|---|---|---|--------|-----|---------|-----------|
| Maximum recommended working pressure Kg/cm ² | Size | Type | Dimensions | | | | | | | | | Screws | | Or type | Weight Kg |
| | | | A | B | C | D | E | F | G | H | I | Metric | Unc | | |

SERIE 3000

| | | | | | | | | | | | | | | | |
|-----|-------|-------------|-----------|-----|--------|-----|-------|-----|-----|----|----|--------|------------|------|-------|
| 345 | 1/2" | DFS080N | 1/2" NPT | 13 | 38,10 | 57 | 17,48 | 46 | 72 | 32 | 19 | M8x30 | 5/16x1"1/4 | 4075 | 0,57 |
| 345 | 1/2" | DFS080N038 | 3/8" NPT | 13 | 38,10 | 57 | 17,48 | 46 | 72 | 32 | 19 | M8x30 | 5/16x1"1/4 | 4075 | 0,61 |
| 345 | 3/4" | DFS100N | 3/4" NPT | 19 | 47,63 | 65 | 22,23 | 50 | 72 | 36 | 19 | M10x35 | 3/8x1"1/2 | 4100 | 0,90 |
| 345 | 3/4" | DFS100N012 | 1/2" NPT | 13 | 47,63 | 65 | 22,23 | 50 | 72 | 36 | 19 | M10x35 | 3/8x1"1/2 | 4100 | 0,97 |
| 345 | 1" | DFS102N | 1" NPT | 25 | 52,37 | 70 | 26,19 | 55 | 76 | 36 | 22 | M10x35 | 3/8x1"1/2 | 4131 | 1,06 |
| 345 | 1" | DFS102N034 | 3/4" NPT | 19 | 52,37 | 70 | 26,19 | 55 | 70 | 42 | 19 | M10x40 | 3/8x1"1/2 | 4131 | 1,19 |
| 276 | 1"1/4 | DFS104N | 1"1/4 NPT | 32 | 58,72 | 79 | 30,18 | 68 | 82 | 42 | 22 | M10x40 | 7/16x1"3/4 | 4150 | 1,50 |
| 276 | 1"1/4 | DFS104N100 | 1" NPT | 25 | 58,72 | 81 | 30,18 | 65 | 84 | 50 | 24 | M10x40 | 7/16x1"3/4 | 4150 | 1,78 |
| 207 | 1"1/2 | DFS106N | 1"1/2 NPT | 38 | 69,85 | 93 | 35,71 | 78 | 90 | 50 | 24 | M12x45 | 1/2x1"3/4 | 4187 | 2,37 |
| 207 | 1"1/2 | DFS106N114 | 1"1/4 NPT | 32 | 69,85 | 95 | 35,71 | 78 | 90 | 54 | 24 | M12x45 | 1/2x1"3/4 | 4187 | 2,61 |
| 207 | 2" | DFS108N | 2" NPT | 51 | 77,77 | 102 | 42,88 | 90 | 90 | 50 | 30 | M12x45 | 1/2x1"3/4 | 4225 | 2,61 |
| 207 | 2" | DFS108N112 | 1"1/2 NPT | 38 | 77,77 | 102 | 42,88 | 90 | 90 | 50 | 26 | M12x45 | 1/2x1"3/4 | 4225 | 3,31 |
| 172 | 2"1/2 | DFS110N | 2"1/2 NPT | 63 | 88,90 | 114 | 50,80 | 105 | 100 | 50 | 30 | M12x45 | 1/2x1"3/4 | 4275 | 3,45 |
| 138 | 3" | DFS112N | 3" NPT | 73 | 106,38 | 134 | 61,93 | 124 | 100 | 54 | 34 | M16x50 | 5/8x2" | 4337 | 5,09 |
| 34 | 3"1/2 | DFS114N | 3"1/2 NPT | 89 | 120,65 | 152 | 69,85 | 136 | 96 | 54 | 34 | M16x50 | 5/8x2" | 4387 | 5,36 |
| 34 | 4" | DFS116N | 4" NPT | 99 | 130,18 | 162 | 77,77 | 146 | 96 | 54 | 34 | M16x50 | 5/8x2" | 4437 | 6,08 |
| 34 | 5" | DFS118N (•) | 5" NPT | 120 | 152,40 | 184 | 92,08 | 180 | 100 | 56 | 30 | M16x50 | 5/8x2" | 4537 | 12,12 |

SERIE 6000

| | | | | | | | | | | | | | | | |
|-----|-------|-------------|-----------|----|--------|-----|-------|-----|-----|-----|----|---------|------------|------|------|
| 414 | 1/2" | DFS401N012 | 1/2" NPT | 13 | 40,49 | 57 | 18,24 | 46 | 72 | 32 | 19 | M8x30 | 5/16x1"1/4 | 4075 | 0,57 |
| 414 | 1/2" | DFS401N038 | 3/8" NPT | 13 | 40,49 | 57 | 18,24 | 46 | 72 | 32 | 19 | M8x30 | 5/16x1"1/4 | 4075 | 0,63 |
| 414 | 3/4" | DFS402N | 3/4" NPT | 19 | 50,80 | 71 | 23,80 | 55 | 70 | 42 | 19 | M10x40 | 3/8x1"1/2 | 4100 | 1,19 |
| 414 | 3/4" | DFS402N012 | 1/2" NPT | 13 | 50,80 | 71 | 23,80 | 55 | 70 | 42 | 19 | M10x40 | 3/8x1"1/2 | 4100 | 1,29 |
| 414 | 1" | DFS403N | 1" NPT | 25 | 57,15 | 81 | 27,76 | 65 | 84 | 50 | 22 | M12x45 | 7/16x1"3/4 | 4131 | 1,88 |
| 414 | 1" | DFS403N034 | 3/4" NPT | 19 | 57,15 | 81 | 27,76 | 65 | 84 | 50 | 22 | M12x45 | 7/16x1"3/4 | 4131 | 1,94 |
| 414 | 1"1/4 | DFS404N | 1"1/4 NPT | 32 | 66,68 | 95 | 31,75 | 78 | 90 | 54 | 23 | M14x45 | 1/2x1"3/4 | 4150 | 2,63 |
| 414 | 1"1/4 | DFS404N100 | 1" NPT | 25 | 66,68 | 95 | 31,75 | 78 | 90 | 54 | 23 | M14x45 | 1/2x1"3/4 | 4150 | 2,89 |
| 414 | 1"1/2 | DFS405N | 1"1/2 NPT | 38 | 79,38 | 112 | 36,50 | 94 | 100 | 60 | 26 | M16x50 | 5/8x2" | 4187 | 4,14 |
| 414 | 1"1/2 | DFS405N114 | 1"1/4 NPT | 32 | 79,38 | 112 | 36,50 | 94 | 100 | 60 | 26 | M16x50 | 5/8x2" | 4187 | 4,41 |
| 414 | 2" | DFS406N | 2" NPT | 51 | 96,82 | 134 | 44,45 | 114 | 130 | 74 | 30 | M20x70 | 3/4x2"1/2 | 4225 | 7,65 |
| 414 | 2" | DFS406N112 | 1"1/2 NPT | 38 | 96,82 | 134 | 44,45 | 114 | 130 | 74 | 30 | M20x70 | 3/4x2"1/2 | 4225 | 8,63 |
| 414 | 2"1/2 | DFS507N (•) | 2"1/2 NPT | 63 | 123,80 | 180 | 58,70 | 152 | 160 | 90 | 32 | M24x80 | - | 4275 | - |
| 414 | 3" | DFS508N (•) | 3" NPT | 73 | 152,40 | 208 | 71,40 | 178 | 180 | 110 | 40 | M30x100 | - | 4337 | - |

| DESIGNAZIONE PER ORDINE DESIGNATION FOR ORDER | Materiale / Material | |
|---|----------------------|-----------------|
| | ST52.3 | AISI 316L |
| Flangia + contoflangia + set viti metriche Flange + counter-flange + metric screws set | DFS...NM | DFX...NM |
| Flangia + contoflangia + set viti unc Flange + counter-flange + unc screws set | DFS...NU | DFX...NU |

NOTE / NOTES

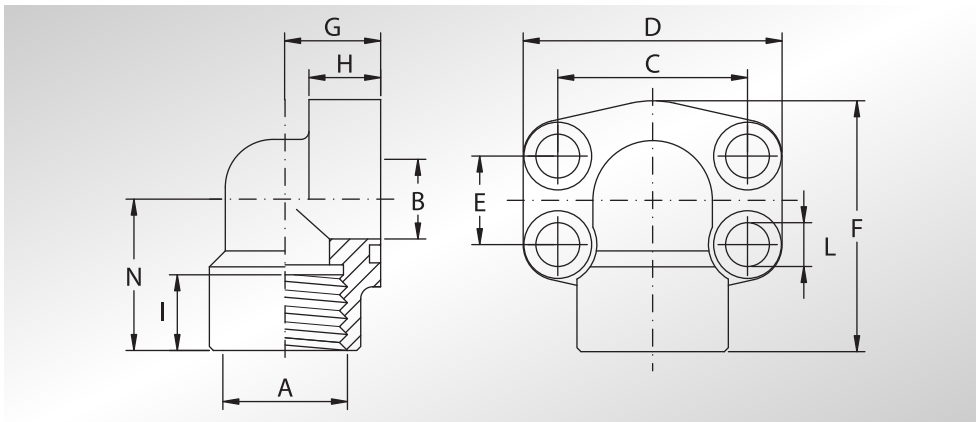
- (•) Solo in ST52.3
- (•) Only in ST52.3

set viti unc disponibili solo in acciaio al carbonio.
unc screws set available only in carbon steel.

**FLANGE A 90°
FILETTATE
NPT**



**NPT
THREADED
90° FLANGES**



| Pressione max di esercizio raccomandata Kg/cm ² | Grandezza | Tipo | Dimensioni | | | | | | | | | | | Viti | | Or tipo | Peso Kg |
|--|-----------|------|------------|---|---|---|---|---|---|---|---|---|---|--------|-----|---------|-----------|
| | | | Dimensions | | | | | | | | | | | Screws | | | |
| Maximum recommended working pressure Kg/cm ² | Size | Type | A | B | C | D | E | F | G | H | I | L | N | Metric | Unc | Or type | Weight Kg |

SERIE 3000

| | | | | | | | | | | | | | | | | | |
|-----|-------|--------------|-----------|----|-------|-----|-------|-----|----|----|----|------|----|--------|------------|------|------|
| 345 | 1/2" | AFS08090N | 1/2" NPT | 13 | 38,10 | 54 | 17,48 | 60 | 20 | 16 | 19 | 9 | 37 | M8x30 | 5/16x1"1/4 | 4075 | 0,28 |
| 345 | 1/2" | AFS08090N038 | 3/8" NPT | 13 | 38,10 | 54 | 17,48 | 60 | 20 | 16 | 19 | 9 | 37 | M8x30 | 5/16x1"1/4 | 4075 | 0,29 |
| 345 | 3/4" | AFS10090N | 3/4" NPT | 19 | 47,63 | 65 | 22,23 | 63 | 24 | 18 | 19 | 11 | 38 | M10x35 | 3/8x1"1/2 | 4100 | 0,45 |
| 345 | 3/4" | AFS10090N012 | 1/2" NPT | 19 | 47,63 | 65 | 22,23 | 63 | 24 | 18 | 19 | 11 | 38 | M10x35 | 3/8x1"1/2 | 4100 | 0,48 |
| 345 | 1" | AFS10290N | 1" NPT | 25 | 52,37 | 70 | 26,19 | 70 | 28 | 19 | 20 | 11 | 43 | M10x35 | 3/8x1"1/2 | 4131 | 0,56 |
| 345 | 1" | AFS10290N034 | 3/4" NPT | 25 | 52,37 | 70 | 26,19 | 70 | 28 | 19 | 20 | 11 | 43 | M10x40 | 3/8x1"1/2 | 4131 | 0,60 |
| 276 | 1"1/4 | AFS10490N | 1"1/4 NPT | 32 | 58,72 | 79 | 30,18 | 85 | 34 | 21 | 22 | 11,5 | 51 | M10x40 | 7/16x1"3/4 | 4150 | 0,89 |
| 276 | 1"1/4 | AFS10490N100 | 1" NPT | 32 | 58,72 | 79 | 30,18 | 85 | 34 | 21 | 22 | 11,5 | 51 | M10x40 | 7/16x1"3/4 | 4150 | 0,92 |
| 207 | 1"1/2 | AFS10690N | 1"1/2 NPT | 38 | 69,85 | 93 | 35,71 | 95 | 38 | 25 | 25 | 13,5 | 56 | M12x45 | 1/2x1"3/4 | 4187 | 1,18 |
| 207 | 1"1/2 | AFS10690N114 | 1"1/4 NPT | 38 | 69,85 | 93 | 35,71 | 95 | 38 | 25 | 25 | 13,5 | 56 | M12x45 | 1/2x1"3/4 | 4187 | 1,21 |
| 207 | 2" | AFS10890N | 2" NPT | 51 | 77,77 | 110 | 42,88 | 110 | 42 | 25 | 28 | 13,5 | 65 | M12x45 | 1/2x1"3/4 | 4225 | 2,06 |
| 207 | 2" | AFS10890N112 | 1"1/2 NPT | 51 | 77,77 | 110 | 42,88 | 110 | 42 | 25 | 28 | 13,5 | 65 | M12x45 | 1/2x1"3/4 | 4225 | 2,10 |

SERIE 6000

| | | | | | | | | | | | | | | | | | |
|-----|-------|--------------|-----------|----|-------|-----|-------|-----|----|----|----|------|----|--------|------------|------|------|
| 414 | 1/2" | AFS40190N012 | 1/2" NPT | 13 | 40,49 | 54 | 18,24 | 60 | 20 | 16 | 19 | 9 | 37 | M8x30 | 5/16x1"1/4 | 4075 | 0,28 |
| 414 | 1/2" | AFS40190N038 | 3/8" NPT | 13 | 40,49 | 54 | 18,24 | 60 | 20 | 16 | 19 | 9 | 37 | M8x30 | 5/16x1"1/4 | 4075 | 0,29 |
| 414 | 3/4" | AFS40290N | 3/4" NPT | 19 | 50,80 | 70 | 23,80 | 70 | 28 | 19 | 20 | 11 | 43 | M10x40 | 3/8x1"1/2 | 4100 | 0,69 |
| 414 | 3/4" | AFS40290N012 | 1/2" NPT | 19 | 50,80 | 70 | 23,80 | 70 | 28 | 19 | 20 | 11 | 43 | M10x40 | 3/8x1"1/2 | 4100 | 0,72 |
| 414 | 1" | AFS40390N | 1" NPT | 25 | 57,15 | 79 | 27,76 | 85 | 34 | 21 | 22 | 13 | 51 | M12x45 | 7/16x1"3/4 | 4131 | 1,11 |
| 414 | 1" | AFS40390N034 | 3/4" NPT | 25 | 57,15 | 79 | 27,76 | 85 | 34 | 21 | 22 | 13 | 51 | M12x45 | 7/16x1"3/4 | 4131 | 1,15 |
| 414 | 1"1/4 | AFS40490N | 1"1/4 NPT | 32 | 66,68 | 93 | 31,75 | 95 | 38 | 25 | 25 | 15 * | 56 | M14x45 | 1/2x1"3/4 | 4150 | 1,45 |
| 414 | 1"1/4 | AFS40490N100 | 1" NPT | 32 | 66,68 | 93 | 31,75 | 95 | 38 | 25 | 25 | 15 * | 56 | M14x45 | 1/2x1"3/4 | 4150 | 1,50 |
| 414 | 1"1/2 | AFS40590N | 1"1/2 NPT | 38 | 79,38 | 110 | 36,50 | 110 | 42 | 25 | 28 | 17 | 65 | M16x50 | 5/8x2" | 4187 | 2,75 |
| 414 | 1"1/2 | AFS40590N114 | 1"1/4 NPT | 38 | 79,38 | 110 | 36,50 | 110 | 42 | 25 | 28 | 17 | 65 | M16x50 | 5/8x2" | 4187 | 2,80 |
| 414 | 2" | AFS40690N | 2" NPT | 51 | 96,82 | 134 | 44,45 | 132 | 45 | 35 | 33 | 21 | 75 | M20x70 | 3/4x2"1/2 | 4225 | 3,95 |
| 414 | 2" | AFS40690N112 | 1"1/2 NPT | 51 | 96,82 | 134 | 44,45 | 132 | 45 | 35 | 33 | 21 | 75 | M20x70 | 3/4x2"1/2 | 4225 | 4,40 |

| DESIGNAZIONE PER ORDINE DESIGNATION FOR ORDER | Materiale / Material | |
|--|----------------------|-------------------|
| | ST52.3 | AISI 316L |
| Solo flangia Only flange | AFS...90N | AFX...90N |
| Flangia completa di viti metriche, grower e o-ring Flange complete of metric screws, grower type washers and o-ring | AFS...90NM | AFX...90NM |
| Flangia completa di viti unc, grower e o-ring Flange complete of unc screws, grower type washers and o-ring | AFS...90NU | AFX...90NU |

NOTE / NOTES

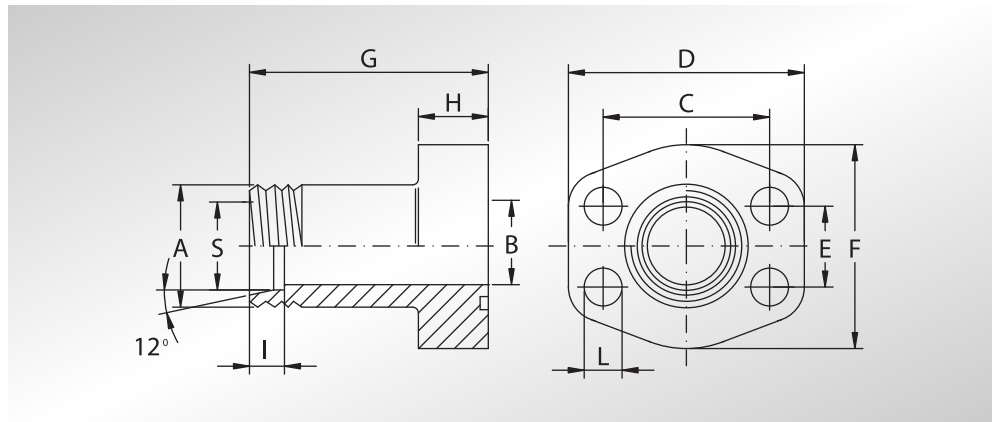
* Per viti unc L=13,5
* For unc screws L=13,5

set viti unc disponibili solo in acciaio al carbonio.
unc screws set available only in carbon steel.



**FLANGE FILETATE
METRICHE CON
ATTACCO
DIN 3901-3902**

**DIN 3901-3902
METRIC THREADED
FLANGES**



| Pressione max di esercizio raccomandata Kg/cm ² | Grandezza | Tipo | Dimensioni | | | | | | | | | | | Viti | | Or tipo | Peso Kg |
|--|-----------|------|------------|---|---|---|---|---|---|---|---|---|---|--------|-----|---------|-----------|
| Maximum recommended working pressure Kg/cm ² | Size | Type | Dimensions | | | | | | | | | | | Screws | | Or type | Weight Kg |
| | | | A | B | C | D | E | F | G | H | I | L | S | Metric | Unc | | |

SERIE 3000

| | | | | | | | | | | | | | | | | | |
|-----|-------|---------|---------|----|-------|----|-------|----|----|----|------|------|----|--------|------------|------|------|
| 345 | 1/2" | AFS080E | M22x1,5 | 12 | 38,10 | 54 | 17,48 | 46 | 52 | 13 | 7 | 9 | 15 | M8x30 | 5/16x1"1/4 | 4075 | 0,25 |
| 345 | 3/4" | AFS100E | M30x2 | 19 | 47,63 | 65 | 22,23 | 50 | 60 | 14 | 7,5 | 11,5 | 22 | M10x30 | 3/8x1"1/2 | 4100 | 0,36 |
| 345 | 1" | AFS102E | M36x2 | 24 | 52,37 | 70 | 26,19 | 55 | 63 | 16 | 7,5 | 11,5 | 28 | M10x35 | 3/8x1"1/2 | 4131 | 0,50 |
| 276 | 1"1/4 | AFS104E | M45x2 | 29 | 58,72 | 79 | 30,18 | 68 | 65 | 14 | 10,5 | 11,5 | 35 | M10x35 | 7/16x1"3/4 | 4150 | 0,71 |
| 207 | 1"1/2 | AFS106E | M52x2 | 36 | 69,85 | 94 | 35,71 | 78 | 70 | 16 | 11 | 13,5 | 42 | M12x35 | 1/2x1"3/4 | 4187 | 1,02 |

SERIE 6000

| | | | | | | | | | | | | | | | | | |
|-----|-------|------------|---------|----|-------|-----|-------|----|----|----|------|------|----|--------|------------|------|------|
| 414 | 1/2" | AFS401E012 | M24x1,5 | 12 | 40,49 | 56 | 18,24 | 48 | 60 | 16 | 8,5 | 9 | 16 | M8x30 | 5/16x1"1/4 | 4075 | 0,33 |
| 414 | 3/4" | AFS402E | M36x2 | 19 | 50,80 | 71 | 23,80 | 60 | 73 | 19 | 12 | 11,5 | 25 | M10x40 | 3/8x1"1/2 | 4100 | 0,68 |
| 414 | 1" | AFS403E | M42x2 | 25 | 57,15 | 81 | 27,76 | 70 | 82 | 24 | 13,5 | 13 | 30 | M12x45 | 7/16x1"3/4 | 4131 | 1,03 |
| 414 | 1"1/4 | AFS404E | M52x2 | 29 | 66,68 | 95 | 31,75 | 78 | 92 | 27 | 16 | 15 * | 38 | M14x45 | 1/2x1"3/4 | 4150 | 1,66 |
| 414 | 1"1/2 | AFS405E | M52x2 | 32 | 79,38 | 113 | 36,50 | 95 | 96 | 30 | 16 | 17 | 38 | M16x50 | 5/8x2" | 4187 | 2,23 |

| DESIGNAZIONE PER ORDINE DESIGNATION FOR ORDER | Materiale / Material | |
|--|----------------------|---------------------|
| | ST52.3 | AISI 316L |
| Solo flangia Only flange | AFS...E | AFX...E (•) |
| Flangia completa di viti metriche, grower e o-ring Flange complete of metric screws, grower type washers and o-ring | AFS...EM | AFX...EM (•) |
| Flangia completa di viti unc, grower e o-ring Flange complete of unc screws, grower type washers and o-ring | AFS...EU | AFX...EU (•) |

NOTE / NOTES

* Per viti unc L=13,5
* For unc screws L=13,5

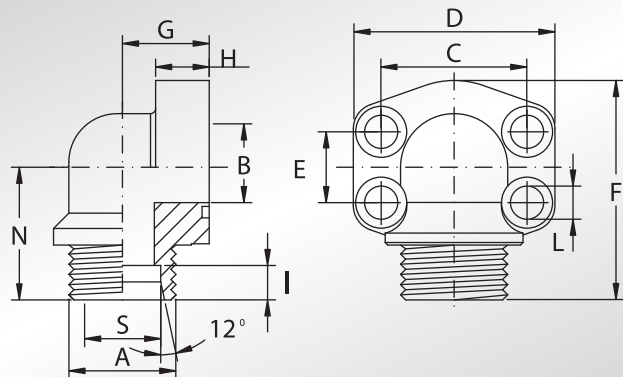
(•) Per questa versione la quota "G" non è quella indicata.
(•) For this version dimension "G" is not the one above mentioned.

set viti unc disponibili solo in acciaio al carbonio.
unc screws set available only in carbon steel.

**FLANGE 90°
FILETTATE
METRICHE CON
ATTACCO
DIN 3901-3902**



**DIN 3901-3902
METRIC THREADED
90° FLANGES**



| Pressione max di esercizio raccomandata Kg/cm ² | Grandezza | Tipo | Dimensioni | | | | | | | | | | | Viti | | Or tipo | Peso Kg | |
|--|-----------|------|------------|---|---|---|---|---|---|---|---|---|---|--------|--------|---------|---------|-----------|
| | | | Dimensions | | | | | | | | | | | Screws | | | | |
| Maximum recommended working pressure Kg/cm ² | Size | Type | A | B | C | D | E | F | G | H | I | L | N | S | Metric | Unc | Or type | Weight Kg |

SERIE 3000

| | | | | | | | | | | | | | | | | | | |
|-----|-------|-----------|---------|----|-------|----|-------|----|----|----|------|------|----|----|--------|------------|------|------|
| 345 | 1/2" | AFS08090E | M22x1,5 | 12 | 38,10 | 54 | 17,48 | 60 | 20 | 16 | 7 | 9 | 37 | 15 | M8x30 | 5/16x1"1/4 | 4075 | 0,25 |
| 345 | 3/4" | AFS10090E | M30x2 | 19 | 47,63 | 65 | 22,23 | 65 | 24 | 18 | 7,5 | 11 | 40 | 22 | M10x35 | 3/8x1"1/2 | 4100 | 0,38 |
| 345 | 1" | AFS10290E | M36x2 | 25 | 52,37 | 70 | 26,19 | 70 | 28 | 19 | 12,0 | 11 | 43 | 28 | M10x35 | 3/8x1"1/2 | 4131 | 0,49 |
| 276 | 1"1/4 | AFS10490E | M45x2 | 32 | 58,72 | 79 | 30,18 | 86 | 34 | 21 | 10,5 | 11,5 | 52 | 35 | M10x40 | 7/16x1"3/4 | 4150 | 0,77 |
| 207 | 1"1/2 | AFS10690E | M52x2 | 38 | 69,85 | 93 | 35,71 | 95 | 38 | 25 | 11,0 | 13,5 | 56 | 42 | M12x45 | 1/2x1"3/4 | 4187 | 1,10 |

SERIE 6000

| | | | | | | | | | | | | | | | | | | |
|-----|-------|-----------|---------|----|-------|-----|-------|-----|----|----|------|------|----|----|--------|------------|------|------|
| 414 | 1/2" | AFS40190E | M24x1,5 | 12 | 40,49 | 54 | 18,24 | 60 | 20 | 16 | 8,5 | 9 | 37 | 16 | M8x30 | 5/16x1"1/4 | 4075 | 0,28 |
| 414 | 3/4" | AFS40290E | M36x2 | 19 | 50,80 | 70 | 23,80 | 70 | 28 | 19 | 12,0 | 11 | 43 | 25 | M10x35 | 3/8x1"1/2 | 4100 | 0,69 |
| 414 | 1" | AFS40390E | M42x2 | 25 | 57,15 | 79 | 27,76 | 85 | 34 | 21 | 13,5 | 13 | 52 | 30 | M12x45 | 7/16x1"3/4 | 4131 | 1,11 |
| 414 | 1"1/4 | AFS40490E | M52x2 | 32 | 66,68 | 93 | 31,75 | 95 | 38 | 25 | 16,0 | 15 * | 56 | 38 | M14x45 | 1/2x1"3/4 | 4150 | 1,45 |
| 414 | 1"1/2 | AFS40590E | M52x2 | 38 | 79,38 | 110 | 36,50 | 110 | 42 | 25 | 16,0 | 17 | 65 | 38 | M16x50 | 5/8x2" | 4187 | 2,75 |

**DESIGNAZIONE PER ORDINE
DESIGNATION FOR ORDER**

| | Materiale / Material | |
|--|----------------------|-------------------|
| | ST52.3 | AISI 316L |
| Solo flangia Only flange | AFS...90E | AFX...90E |
| Flangia completa di viti metriche, grower e o-ring Flange complete of metric screws, grower type washers and o-ring | AFS...90EM | AFX...90EM |
| Flangia completa di viti unc, grower e o-ring Flange complete of unc screws, grower type washers and o-ring | AFS...90EU | AFX...90EU |

NOTE / NOTES

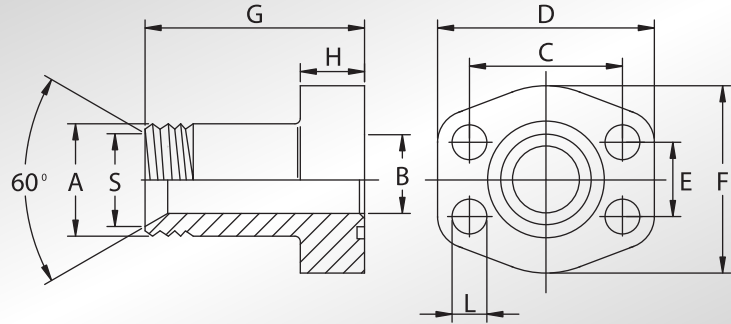
* Per viti unc L=13,5
* For unc screws L=13,5

set viti unc disponibili solo in acciaio al carbonio.
unc screws set available only in carbon steel.



FLANGE A TENUTA CONICA A 60° FILETTATE GAS

60° TAPERED SEAT BSP THREADED FLANGES



| Pressione max di esercizio raccomandata Kg/cm ² | Grandezza | Tipo | Dimensioni | | | | | | | | | | | Viti | | Or tipo | Peso Kg |
|--|-----------|------------|-------------------|-------|-------|----|-------|----|----|----|------|------|--------|------------|---------|-----------|---------|
| | | | Dimensions | | | | | | | | | | | Screws | | | |
| Maximum recommended working pressure Kg/cm ² | Size | Type | A | B | C | D | E | F | G | H | L | S | Metric | Unc | Or type | Weight Kg | |
| | | | SERIE 3000 | | | | | | | | | | | | | | |
| 345 | 1/2" | AFS080B | 1/2" GAS | 11,50 | 38,10 | 54 | 17,48 | 46 | 52 | 13 | 9 | 17,5 | M8x30 | 5/16x1"1/4 | 4075 | 0,25 | |
| 344 | 1/2" | AFS080B038 | 3/8" GAS | 8,50 | 38,10 | 54 | 17,48 | 46 | 52 | 13 | 9 | 14,0 | M8x30 | 5/16x1"1/4 | 4075 | 0,25 | |
| 345 | 3/4" | AFS100B | 3/4" GAS | 17,00 | 47,63 | 65 | 22,23 | 50 | 60 | 14 | 11,5 | 22,9 | M10x35 | 3/8x1"1/2 | 4100 | 0,36 | |
| 345 | 3/4" | AFS100B012 | 1/2" GAS | 11,50 | 47,63 | 65 | 22,23 | 50 | 60 | 14 | 11,5 | 17,5 | M10x35 | 3/8x1"1/2 | 4100 | 0,36 | |
| 345 | 1" | AFS102B | 1" GAS | 22,00 | 52,37 | 70 | 26,19 | 55 | 63 | 16 | 11,5 | 28,7 | M10x35 | 3/8x1"1/2 | 4131 | 0,50 | |
| 345 | 1" | AFS102B034 | 3/4" GAS | 17,00 | 52,37 | 70 | 26,19 | 55 | 63 | 16 | 11,5 | 22,9 | M10x40 | 3/8x1"1/2 | 4131 | 0,50 | |
| 276 | 1"1/4 | AFS104B | 1"1/4 GAS | 28,50 | 58,72 | 79 | 30,18 | 68 | 65 | 14 | 11,5 | 36,8 | M10x35 | 7/16x1"3/4 | 4150 | 0,72 | |
| 276 | 1"1/4 | AFS104B100 | 1" GAS | 22,00 | 58,72 | 79 | 30,18 | 68 | 65 | 14 | 11,5 | 28,7 | M10x35 | 7/16x1"3/4 | 4150 | 0,72 | |
| 207 | 1"1/2 | AFS106B | 1"1/2 GAS | 34,00 | 69,85 | 94 | 35,71 | 78 | 70 | 16 | 13,5 | 42,7 | M12x35 | 1/2x1"3/4 | 4187 | 1,00 | |
| 207 | 1"1/2 | AFS106B114 | 1"1/4 GAS | 28,50 | 69,85 | 94 | 35,71 | 78 | 70 | 16 | 13,5 | 36,8 | M12x35 | 1/2x1"3/4 | 4187 | 1,00 | |

| | | | | | | | | | | | | | | | | |
|-------------------|-------|------------|-----------|-------|-------|-----|-------|----|----|----|------|------|--------|------------|------|------|
| SERIE 6000 | | | | | | | | | | | | | | | | |
| 414 | 1/2" | AFS401B012 | 1/2" GAS | 11,50 | 40,49 | 56 | 18,24 | 48 | 60 | 16 | 9 | 17,5 | M8x30 | 5/16x1"1/4 | 4075 | 0,33 |
| 414 | 1/2" | AFS401B038 | 3/8" GAS | 8,50 | 40,49 | 56 | 18,24 | 48 | 60 | 16 | 9 | 14,0 | M8x30 | 5/16x1"1/5 | 4075 | 0,33 |
| 414 | 3/4" | AFS402B | 3/4" GAS | 17,00 | 50,80 | 71 | 23,80 | 60 | 73 | 19 | 11,5 | 22,9 | M10x40 | 3/8x1"1/2 | 4100 | 0,68 |
| 414 | 3/4" | AFS402B012 | 1/2" GAS | 11,50 | 50,80 | 71 | 23,80 | 60 | 73 | 19 | 11,5 | 17,5 | M10x40 | 3/8x1"1/3 | 4100 | 0,68 |
| 414 | 1" | AFS403B | 1" GAS | 22,00 | 57,15 | 81 | 27,76 | 70 | 82 | 24 | 13 | 28,7 | M12x45 | 7/16x1"3/4 | 4131 | 1,00 |
| 414 | 1" | AFS403B034 | 3/4" GAS | 17,00 | 57,15 | 81 | 27,76 | 70 | 82 | 24 | 13 | 22,9 | M12x45 | 7/16x1"3/5 | 4131 | 1,00 |
| 414 | 1"1/4 | AFS404B | 1"1/4 GAS | 28,50 | 66,68 | 95 | 31,75 | 78 | 92 | 27 | 15 * | 36,8 | M14x45 | 1/2x1"3/4 | 4150 | 1,60 |
| 414 | 1"1/4 | AFS404B100 | 1" GAS | 22,00 | 66,68 | 95 | 31,75 | 78 | 92 | 27 | 15 * | 28,7 | M14x45 | 1/2x1"3/5 | 4150 | 1,60 |
| 414 | 1"1/2 | AFS405B | 1"1/2 GAS | 34,00 | 79,38 | 113 | 36,50 | 95 | 96 | 30 | 17 | 42,7 | M16x50 | 5/8x2" | 4187 | 2,20 |
| 414 | 1"1/2 | AFS405B114 | 1"1/4 GAS | 28,50 | 79,38 | 113 | 36,50 | 95 | 96 | 30 | 17 | 36,8 | M16x50 | 5/8x2" | 4187 | 2,20 |

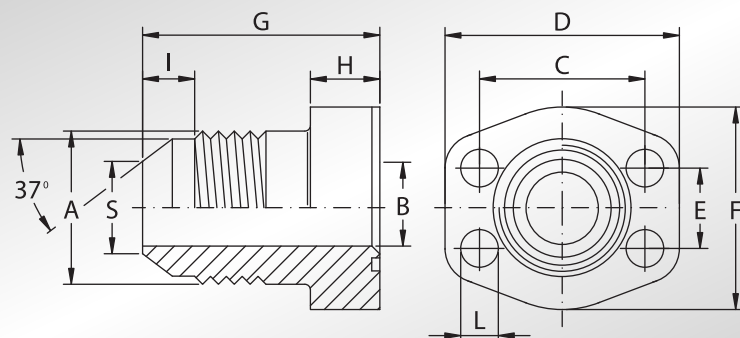
| DESIGNAZIONE PER ORDINE DESIGNATION FOR ORDER | Materiale / Material | |
|--|----------------------|---------------------|
| | ST52.3 | AISI 316L |
| Solo flangia Only flange | AFS...B | AFX...B (•) |
| Flangia completa di viti metriche, grower e o-ring Flange complete of metric screws, grower type washers and o-ring | AFS...BM | AFX...BM (•) |
| Flangia completa di viti unc, grower e o-ring Flange complete of unc screws, grower type washers and o-ring | AFS...BU | AFX...BU (•) |

NOTE / NOTES

* Per viti unc L=13,5
* For unc screws L=13,5

(•) Per questa versione la quota "G" non è quella indicata.
(•) For this version dimension "G" is not the one above mentioned.

set viti unc disponibili solo in acciaio al carbonio.
unc screws set available only in carbon steel.



| Pressione max di esercizio raccomandata Kg/cm ² | Grandezza | Tipo | Dimensioni | | | | | | | | | | | Viti | | Or tipo | Peso Kg |
|--|-----------|------|------------|---|---|---|---|---|---|---|---|---|---|--------|-----|---------|-----------|
| Maximum recommended working pressure Kg/cm ² | Size | Type | Dimensions | | | | | | | | | | | Screws | | Or type | Weight Kg |
| | | | A | B | C | D | E | F | G | H | I | L | S | Metric | Unc | | |

SERIE 3000

| | | | | | | | | | | | | | | | | | |
|-----|-------|------------|---------------|-------|-------|----|-------|----|----|----|-----|------|-------|--------|------------|------|------|
| 345 | 1/2" | AFS080J034 | 3/4" - 16UNF | 9,90 | 38,10 | 54 | 17,48 | 46 | 52 | 13 | 6,4 | 9 | 10,82 | M8x30 | 5/16x1"1/4 | 4075 | 0,25 |
| 345 | 1/2" | AFS080J078 | 7/8" - 14UN | 12,30 | 38,10 | 54 | 17,48 | 46 | 52 | 13 | 6,8 | 9 | 13,69 | M8x30 | 5/16x1"1/4 | 4075 | 0,30 |
| 345 | 3/4" | AFS100J | 1"1/16 - 12UN | 15,50 | 47,63 | 65 | 22,23 | 50 | 60 | 14 | 8,0 | 11,5 | 16,87 | M10x35 | 3/8x1"1/2 | 4100 | 0,36 |
| 345 | 1" | AFS102J | 1"5/16 - 12UN | 21,50 | 52,37 | 70 | 26,19 | 55 | 63 | 16 | 8,0 | 11,5 | 23,19 | M10x35 | 3/8x1"1/2 | 4131 | 0,50 |
| 276 | 1"1/4 | AFS104J | 1"5/8 - 12UN | 27,50 | 58,72 | 79 | 30,18 | 68 | 65 | 14 | 9,3 | 11,5 | 29,13 | M10x35 | 7/16x1"3/4 | 4150 | 0,71 |
| 207 | 1"1/2 | AFS106J | 1"7/8 - 12UN | 33,00 | 69,85 | 94 | 35,71 | 78 | 70 | 16 | 9,6 | 13,5 | 35,08 | M12x35 | 1/2x1"3/4 | 4187 | 1,02 |

SERIE 6000

| | | | | | | | | | | | | | | | | | |
|-----|-------|------------|---------------|-------|-------|-----|-------|----|----|----|-----|------|-------|--------|------------|------|------|
| 414 | 1/2" | AFS401J034 | 3/4" - 16UNF | 9,90 | 40,49 | 56 | 18,24 | 48 | 60 | 16 | 6,4 | 9 | 10,82 | M8x30 | 5/16x1"1/4 | 4075 | 0,33 |
| 414 | 1/2" | AFS401J078 | 7/8" - 14UN | 12,30 | 40,49 | 56 | 18,24 | 48 | 60 | 16 | 6,8 | 9 | 13,69 | M8x30 | 5/16x1"1/4 | 4075 | 0,40 |
| 414 | 3/4" | AFS402J | 1"1/16 - 12UN | 15,50 | 50,80 | 71 | 23,80 | 60 | 73 | 19 | 8,0 | 11,5 | 16,87 | M10x40 | 3/8x1"1/2 | 4100 | 0,68 |
| 414 | 1" | AFS403J | 1"5/16 - 12UN | 21,50 | 57,15 | 81 | 27,76 | 70 | 82 | 24 | 8,0 | 13 | 23,19 | M12x45 | 7/16x1"3/4 | 4131 | 1,03 |
| 414 | 1"1/4 | AFS404J | 1"5/8 - 12UN | 27,50 | 66,68 | 95 | 31,75 | 78 | 92 | 27 | 9,3 | 15 * | 29,13 | M14x45 | 1/2x1"3/4 | 4150 | 1,66 |
| 414 | 1"1/2 | AFS405J | 1"7/8 - 12UN | 33,00 | 79,38 | 113 | 36,50 | 95 | 96 | 30 | 9,6 | 17 | 35,08 | M16x50 | 5/8x2" | 4187 | 2,23 |

**DESIGNAZIONE PER ORDINE
DESIGNATION FOR ORDER**

Solo flangia
Only flange

Flangia completa di viti metriche, grower e o-ring
Flange complete of metric screws, grower type washers and o-ring

Flangia completa di viti unc, grower e o-ring
Flange complete of unc screws, grower type washers and o-ring

Materiale / Material

ST52.3 **AISI 316L**

AFS...J **AFX...J (•)**

AFS...JM **AFX...JM (•)**

AFS...JU **AFX...JU (•)**

NOTE / NOTES

* Per viti unc L=13,5
* For unc screws L=13,5

(•) Per questa versione la quota "G" non è quella indicata.

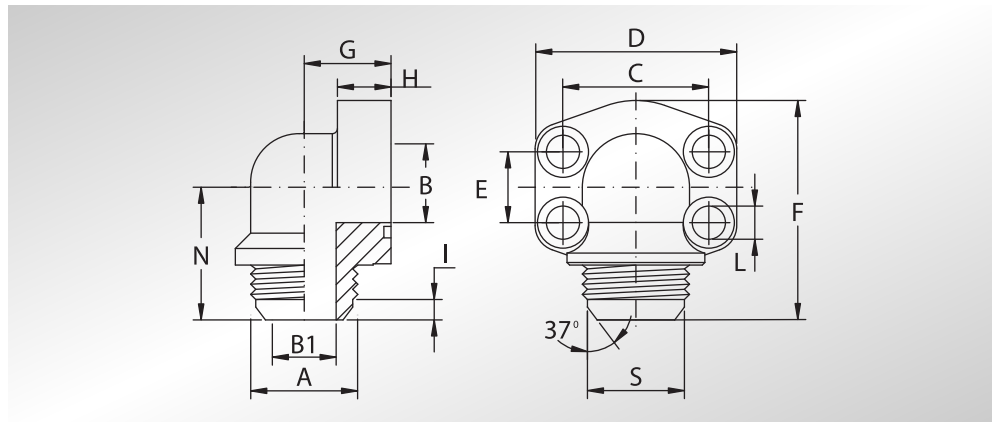
(•) For this version dimension "G" is not the one above mentioned.

set viti unc disponibili solo in acciaio al carbonio.
unc screws set available only in carbon steel.



FLANGE A 90° FILETTATE JIC

JIC THREADED 90° FLANGES



| Pressione max di esercizio raccomandata Kg/cm ² | Grandezza | Tipo | Dimensioni | | | | | | | | | | | | | Viti | | Or tipo | Peso Kg |
|--|-----------|------|------------|---|----|---|---|---|---|---|---|---|---|---|---|--------|-----|---------|---------|
| | | | Dimensions | | | | | | | | | | | | | Screws | | | |
| Maximum recommended working pressure Kg/cm ² | Size | Type | A | B | B1 | C | D | E | F | G | H | I | L | N | S | Metric | Unc | | |

SERIE 3000

| | | | | | | | | | | | | | | | | | | | |
|-----|-------|--------------|---------------|----|-------|-------|----|-------|----|----|----|-----|------|----|-------|--------|------------|------|------|
| 345 | 1/2" | AFS08090J034 | 3/4" - 16UNF | 13 | 9,90 | 38,10 | 54 | 17,48 | 60 | 20 | 16 | 6,4 | 9 | 37 | 10,82 | M8x30 | 5/16x1"1/4 | 4075 | 0,25 |
| 345 | 1/2" | AFS08090J078 | 7/8" - 14UN | 13 | 12,30 | 38,10 | 54 | 17,48 | 60 | 20 | 16 | 6,8 | 9 | 37 | 13,69 | M8x30 | 5/16x1"1/4 | 4075 | 0,25 |
| 345 | 3/4" | AFS10090J | 1"1/16 - 12UN | 19 | 15,50 | 47,63 | 65 | 22,23 | 64 | 24 | 18 | 8,0 | 11 | 39 | 16,87 | M10x35 | 3/8x1"1/2 | 4100 | 0,38 |
| 345 | 1" | AFS10290J | 1"5/16 - 12UN | 25 | 21,50 | 52,37 | 70 | 26,19 | 71 | 28 | 19 | 8,0 | 11 | 44 | 23,19 | M10x35 | 3/8x1"1/2 | 4131 | 0,49 |
| 276 | 1"1/4 | AFS10490J | 1"5/8 - 12UN | 32 | 27,50 | 58,72 | 79 | 30,18 | 86 | 34 | 21 | 9,3 | 11,5 | 52 | 29,13 | M10x40 | 7/16x1"3/4 | 4150 | 0,77 |
| 207 | 1"1/2 | AFS10690J | 1"7/8 - 12UN | 38 | 33,00 | 69,85 | 93 | 35,71 | 96 | 38 | 25 | 9,6 | 13,5 | 57 | 35,08 | M12x45 | 1/2x1"3/4 | 4187 | 1,10 |

SERIE 6000

| | | | | | | | | | | | | | | | | | | | |
|-----|-------|--------------|---------------|----|-------|-------|-----|-------|-----|----|----|-----|------|----|-------|--------|------------|------|------|
| 414 | 1/2" | AFS40190J034 | 3/4" - 16UNF | 13 | 9,90 | 40,49 | 54 | 18,24 | 60 | 20 | 16 | 6,4 | 9 | 37 | 10,82 | M8x30 | 5/16x1"1/4 | 4075 | 0,28 |
| 414 | 1/2" | AFS40190J078 | 7/8" - 14UN | 13 | 12,30 | 40,49 | 54 | 18,24 | 60 | 20 | 16 | 6,8 | 9 | 37 | 13,69 | M8x30 | 5/16x1"1/4 | 4075 | 0,28 |
| 414 | 3/4" | AFS40290J | 1"1/16 - 12UN | 19 | 15,50 | 50,80 | 70 | 23,80 | 71 | 28 | 19 | 8,0 | 11 | 44 | 16,87 | M10x40 | 3/8x1"1/2 | 4100 | 0,69 |
| 414 | 1" | AFS40390J | 1"5/16 - 12UN | 25 | 21,50 | 57,15 | 79 | 27,76 | 85 | 34 | 21 | 8,0 | 13 | 51 | 23,19 | M12x45 | 7/16x1"3/4 | 4131 | 1,11 |
| 414 | 1"1/4 | AFS40490J | 1"5/8 - 12UN | 32 | 27,50 | 66,68 | 93 | 31,75 | 96 | 38 | 25 | 9,3 | 15 * | 57 | 29,13 | M14x45 | 1/2x1"3/4 | 4150 | 1,45 |
| 414 | 1"1/2 | AFS40590J | 1"7/8 - 12UN | 38 | 33,00 | 79,38 | 110 | 36,50 | 111 | 42 | 25 | 9,6 | 17 | 66 | 35,08 | M16x50 | 5/8x2" | 4187 | 2,75 |

| DESIGNAZIONE PER ORDINE DESIGNATION FOR ORDER | Materiale / Material | |
|--|----------------------|-------------------|
| | ST52.3 | AISI 316L |
| Solo flangia Only flange | AFS...90J | AFX...90J |
| Flangia completa di viti metriche, grower e o-ring Flange complete of metric screws, grower type washers and o-ring | AFS...90JM | AFX...90JM |
| Flangia completa di viti unc, grower e o-ring Flange complete of unc screws, grower type washers and o-ring | AFS...90JU | AFX...90JU |

NOTE / NOTES

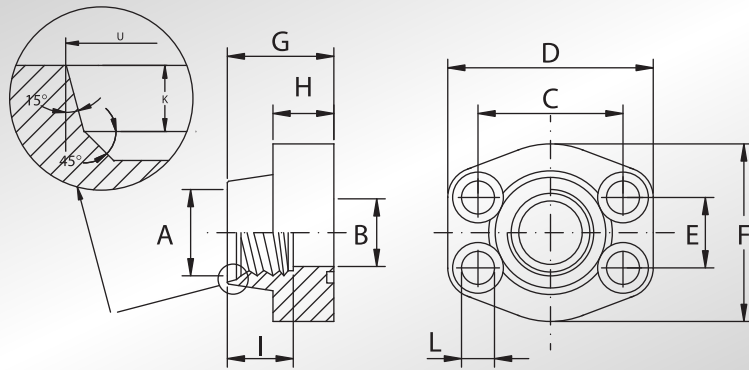
- * Per viti unc L=13,5
- * For unc screws L=13,5

set viti unc disponibili solo in acciaio al carbonio.
unc screws set available only in carbon steel.

**FLANGE
FILETTATE "UN" CON
FILETTO CILINDRICO
CON SEDE O-RING**



**"UN" THREADED
FLANGES WITH
O-RING
GROOVE PARALLEL
THREAD**



| Pressione max di esercizio raccomandata Kg/cm ² | Grandezza | Tipo | Dimensioni | | | | | | | | | | | Viti | | Or tipo | Peso Kg | |
|--|-----------|------|------------|---|---|---|---|---|---|---|---|---|---|--------|--------|---------|-----------|--|
| Maximum recommended working pressure Kg/cm ² | Size | Type | Dimensions | | | | | | | | | | | Screws | | Or type | Weight Kg | |
| | | | A | B | C | D | E | F | G | H | I | L | U | K | Metric | Unc | | |

SERIE 3000

| | | | | | | | | | | | | | | | | | | |
|-----|-------|---------|---------------|----|-------|----|-------|----|----|----|----|------|------|-----|--------|------------|------|------|
| 345 | 1/2" | AFS080T | 3/4" - 16UNF | 13 | 38,10 | 57 | 17,48 | 46 | 36 | 16 | 17 | 9 | 20,6 | 2,5 | M8x30 | 5/16x1"1/4 | 4075 | 0,25 |
| 345 | 3/4" | AFS100T | 1"1/16 - 12UN | 19 | 47,63 | 65 | 22,23 | 50 | 36 | 18 | 23 | 11 | 29,2 | 3,3 | M10x35 | 3/8x1"1/2 | 4100 | 0,37 |
| 345 | 1" | AFS102T | 1"5/16 - 12UN | 25 | 52,37 | 70 | 26,19 | 55 | 38 | 18 | 23 | 11 | 35,5 | 3,3 | M10x35 | 3/8x1"1/2 | 4131 | 0,45 |
| 276 | 1"1/4 | AFS104T | 1"5/8 - 12UN | 32 | 58,72 | 79 | 30,18 | 68 | 41 | 21 | 23 | 11,5 | 43,5 | 3,3 | M10x40 | 7/16x1"3/4 | 4150 | 0,66 |
| 207 | 1"1/2 | AFS106T | 1"7/8 - 12UN | 38 | 69,85 | 93 | 35,71 | 78 | 45 | 25 | 23 | 13,5 | 49,8 | 3,3 | M12x45 | 1/2x1"3/4 | 4187 | 1,05 |

SERIE 6000

| | | | | | | | | | | | | | | | | | | |
|-----|-------|---------|---------------|----|-------|-----|-------|----|----|----|----|------|------|-----|--------|------------|------|------|
| 414 | 1/2" | AFS401T | 3/4" - 16UNF | 13 | 40,49 | 57 | 18,24 | 46 | 36 | 16 | 17 | 9 | 20,6 | 2,5 | M8x30 | 5/16x1"1/4 | 4075 | 0,25 |
| 414 | 3/4" | AFS402T | 1"1/16 - 12UN | 19 | 50,80 | 71 | 23,80 | 55 | 35 | 21 | 23 | 11 | 29,2 | 3,3 | M10x40 | 3/8x1"1/2 | 4100 | 0,51 |
| 414 | 1" | AFS403T | 1"5/16 - 12UN | 25 | 57,15 | 81 | 27,76 | 65 | 42 | 25 | 23 | 13 | 35,5 | 3,3 | M12x45 | 7/16x1"3/4 | 4131 | 0,81 |
| 414 | 1"1/4 | AFS404T | 1"5/8 - 12UN | 32 | 66,68 | 95 | 31,75 | 78 | 45 | 27 | 23 | 15 * | 43,5 | 3,3 | M14x45 | 1/2x1"3/4 | 4150 | 1,13 |
| 414 | 1"1/2 | AFS405T | 1"7/8 - 12UN | 38 | 79,38 | 112 | 36,50 | 94 | 50 | 30 | 23 | 17 | 49,8 | 3,3 | M16x50 | 5/8x2" | 4187 | 1,81 |

**DESIGNAZIONE PER ORDINE
DESIGNATION FOR ORDER**

Solo flangia
Only flange

Flangia completa di viti metriche, grower e o-ring
Flange complete of metric screws, grower type washers and o-ring

Flangia completa di viti unc, grower e o-ring
Flange complete of unc screws, grower type washers and o-ring

Materiale / Material

ST52.3 **AISI 316L**

AFS...T **AFX...T**

AFS...TM **AFX...TM**

AFS...TU **AFX...TU**

NOTE / NOTES

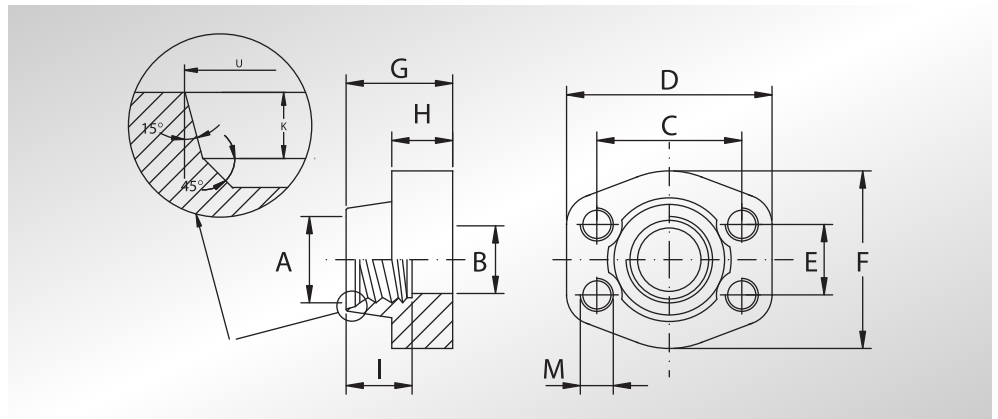
* Per viti unc L=13,5
* For unc screws L=13,5

set viti unc disponibili solo in acciaio al carbonio.
unc screws set available only in carbon steel.



**CONTROFLANGE
FILETTATE "UN" CON
FILETTO CILINDRICO
CON SEDE O-RING**

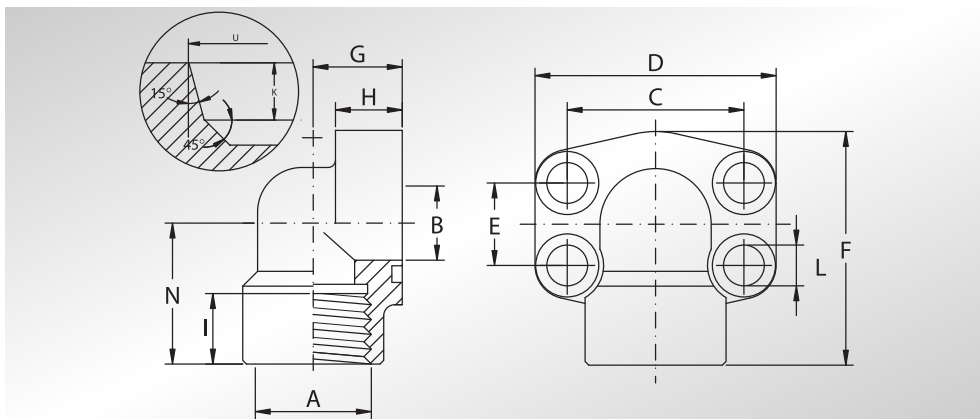
**"UN" THREADED
COUNTER-FLANGES
WITH O-RING
GROOVE PARALLEL
THREAD**



| Pressione max di esercizio raccomandata Kg/cm ² | Grandezza | Tipo | Dimensioni | | | | | | | | | | | Peso Kg | | |
|--|-----------|---------|---------------|----|-------|-----|-------|----|----|----|----|------|-----|---------|-----------|--------|
| | | | Dimensions | | | | | | | | | | | | | |
| Maximum recommended working pressure Kg/cm ² | Size | Type | A | B | C | D | E | F | G | H | I | U | K | M | Weight Kg | |
| | | | | | | | | | | | | | | | | Metric |
| SERIE 3000 | | | | | | | | | | | | | | | | |
| 345 | 1/2" | GFS080T | 3/4" - 16UNF | 13 | 38,10 | 57 | 17,48 | 46 | 36 | 16 | 17 | 20,6 | 2,5 | M8 | 5/16 | 0,26 |
| 345 | 3/4" | GFS100T | 1"1/16 - 12UN | 19 | 47,63 | 65 | 22,23 | 50 | 36 | 18 | 23 | 29,2 | 3,3 | M10 | 3/8 | 0,41 |
| 345 | 1" | GFS102T | 1"5/16 - 12UN | 25 | 52,37 | 70 | 26,19 | 55 | 38 | 18 | 23 | 35,5 | 3,3 | M10 | 3/8 | 0,49 |
| 276 | 1"1/4" | GFS104T | 1"5/8 - 12UN | 32 | 58,72 | 79 | 30,18 | 68 | 41 | 21 | 23 | 43,5 | 3,3 | M10 | 7/16 | 0,71 |
| 207 | 1"1/2" | GFS106T | 1"7/8 - 12UN | 38 | 69,85 | 93 | 35,71 | 78 | 45 | 25 | 23 | 49,8 | 3,3 | M12 | 1/2 | 1,12 |
| SERIE 6000 | | | | | | | | | | | | | | | | |
| 414 | 1/2" | GFS401T | 3/4" - 16UNF | 13 | 40,49 | 57 | 18,24 | 46 | 36 | 16 | 17 | 20,6 | 2,5 | M8 | 5/16 | 0,26 |
| 414 | 3/4" | GFS402T | 1"1/16 - 12UN | 19 | 50,80 | 71 | 23,80 | 55 | 35 | 21 | 23 | 29,2 | 3,3 | M10 | 3/8 | 0,55 |
| 414 | 1" | GFS403T | 1"5/16 - 12UN | 25 | 57,15 | 81 | 27,76 | 65 | 42 | 25 | 23 | 35,5 | 3,3 | M12 | 7/16 | 0,87 |
| 414 | 1"1/4" | GFS404T | 1"5/8 - 12UN | 32 | 66,68 | 95 | 31,75 | 78 | 45 | 27 | 23 | 43,5 | 3,3 | M14 | 1/2 | 1,21 |
| 414 | 1"1/2" | GFS405T | 1"7/8 - 12UN | 38 | 79,38 | 112 | 36,50 | 94 | 50 | 30 | 23 | 49,8 | 3,3 | M16 | 5/8 | 1,88 |

| DESIGNAZIONE PER ORDINE DESIGNATION FOR ORDER | Materiale / Material | |
|---|----------------------|-----------------|
| | ST52.3 | AISI 316L |
| Controflangia con fori di fissaggio filettati metrici Counter-flange with metric threaded fixing holes | GFS...T | GFX...T |
| Controflangia con fori di fissaggio filettati unc Counter-flange with unc threaded fixing holes | GFS...TU | GFX...TU |

NOTE / NOTES



**FLANGE A 90°
FILETTATE "UN" CON
FILETTO CILINDRICO
CON SEDE O-RING**



**"UN" THREADED 90°
FLANGES WITH
O-RING GROOVE
PARALLEL THREAD**

| Pressione max di esercizio raccomandata Kg/cm ² | Grandezza | Tipo | Dimensioni | | | | | | | | | | | | | Viti | | Or tipo | Peso Kg |
|--|-----------|------|------------|---|---|---|---|---|---|---|---|---|---|---|---|--------|-----|---------|-----------|
| Maximum recommended working pressure Kg/cm ² | Size | Type | Dimensions | | | | | | | | | | | | | Screws | | Or type | Weight Kg |
| | | | A | B | C | D | E | F | G | H | I | L | N | U | K | Metric | Unc | | |

SERIE 3000

| | | | | | | | | | | | | | | | | | | | |
|-----|-------|-----------|-----------------|----|-------|----|-------|----|----|----|----|------|------|------|------|--------|-------------|------|------|
| 345 | 1/2" | AFS08090T | 3/4" - 16 UNF | 13 | 38,10 | 54 | 17,48 | 60 | 20 | 16 | 17 | 9 | 37 | 29,6 | 2,54 | M8x30 | 5/16x1" 1/4 | 4075 | 0,28 |
| 345 | 3/4" | AFS10090T | 1" 1/16 - 12 UN | 19 | 47,63 | 65 | 22,23 | 63 | 24 | 18 | 23 | 11 | 38 | 29,2 | 3,3 | M10x35 | 3/8x1" 1/2 | 4100 | 0,45 |
| 345 | 1" | AFS10290T | 1" 5/16 - 12 UN | 25 | 52,37 | 70 | 26,19 | 70 | 28 | 19 | 23 | 11 | 43 | 35,5 | 3,3 | M10x35 | 3/8x1" 1/2 | 4131 | 0,56 |
| 276 | 1"1/4 | AFS10490T | 1" 5/8 - 12 UN | 32 | 58,72 | 79 | 30,18 | 79 | 34 | 21 | 23 | 11,5 | 51 | 43,5 | 3,35 | M10x40 | 7/16x1" 3/4 | 4150 | 0,89 |
| 207 | 1"1/2 | AFS10690T | 1" 7/8 - 12 UN | 38 | 69,85 | 93 | 35,71 | 93 | 38 | 25 | 23 | 13,5 | 56,0 | 49,8 | 3,4 | M12x45 | 1/2x1" 3/4 | 4187 | 1,18 |

SERIE 6000

| | | | | | | | | | | | | | | | | | | | |
|-----|-------|-----------|-----------------|----|-------|-----|-------|-----|----|----|----|------|----|------|------|--------|-------------|------|------|
| 414 | 1/2" | AFS40190T | 3/4" - 16 UNF | 13 | 40,49 | 54 | 18,24 | 60 | 20 | 16 | 17 | 9 | 37 | 29,6 | 2,54 | M8x30 | 5/16x1" 1/4 | 4075 | 0,28 |
| 414 | 3/4" | AFS40290T | 1" 1/16 - 12 UN | 19 | 50,80 | 70 | 23,80 | 70 | 28 | 19 | 23 | 11 | 43 | 29,2 | 3,3 | M10x35 | 3/8x1" 1/2 | 4100 | 0,69 |
| 414 | 1" | AFS40390T | 1" 5/16 - 12 UN | 25 | 57,15 | 79 | 27,76 | 85 | 34 | 21 | 23 | 13 | 51 | 35,5 | 3,3 | M12x45 | 7/16x1" 3/4 | 4131 | 1,11 |
| 414 | 1"1/4 | AFS40490T | 1" 5/8 - 12 UN | 32 | 66,68 | 93 | 31,75 | 95 | 38 | 25 | 23 | 15 * | 56 | 43,5 | 3,35 | M14x45 | 1/2x1" 3/4 | 4150 | 1,45 |
| 414 | 1"1/2 | AFS40590T | 1" 7/8 - 12 UN | 38 | 79,38 | 110 | 36,50 | 110 | 42 | 25 | 23 | 17 | 65 | 49,8 | 3,4 | M16x50 | 5/8x2" | 4187 | 2,75 |

**DESIGNAZIONE PER ORDINE
DESIGNATION FOR ORDER**

Solo flangia
Only flange

Flangia completa di viti metriche, grower e o-ring
Flange complete of metric screws, grower type washers and o-ring

Flangia completa di viti unc, grower e o-ring
Flange complete of unc screws, grower type washers and o-ring

Materiale / Material

ST52.3

AISI 316L

AFS...90T

AFX...90T

AFS...90TM

AFX...90TM

AFS...90TU

AFX...90TU

NOTE / NOTES

* Per viti unc L=13,5

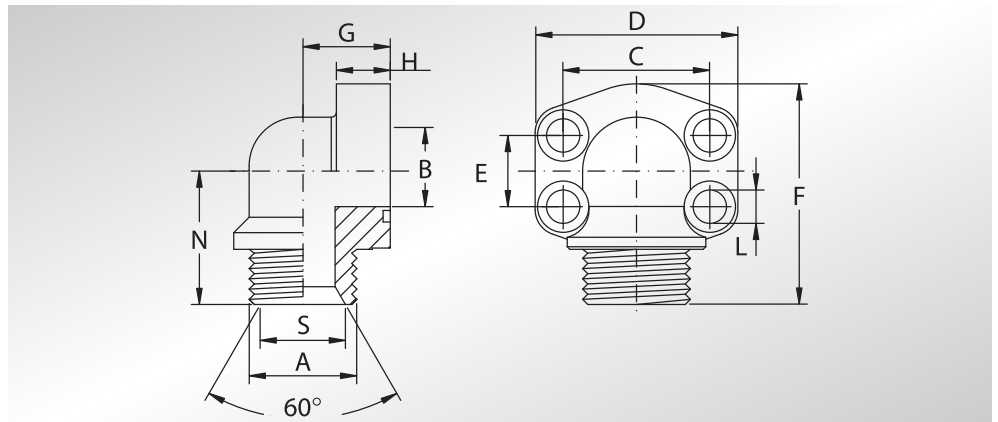
* For unc screws L=13,5

set viti unc disponibili solo in acciaio al carbonio.
unc screws set available only in carbon steel.



**FLANGE A 90°
A TENUTA CONICA
A 60°
FILETTATE GAS**

**90° FLANGES
WITH 60°
TAPERED SEAT
AND BSP THREAD**



| Pressione max di esercizio raccomandata Kg/cm ² | Grandezza | Tipo | Dimensioni | | | | | | | | | | Viti | | Or tipo | Peso Kg |
|--|-----------|------|------------|---|---|---|---|---|---|---|---|---|------|--------|---------|---------|
| | | | A | B | C | D | E | F | G | H | L | N | S | Metric | | |

SERIE 3000

| | | | | | | | | | | | | | | | | | |
|-----|-------|--------------|-----------|-----------|-------|----|-------|----|----|----|------|----|-------|--------|------------|------|------|
| 345 | 1/2" | AFS08090B | 1/2" GAS | 11,5 / 13 | 38,10 | 54 | 17,48 | 61 | 20 | 16 | 9 | 38 | 17,50 | M8x30 | 5/16x1"1/4 | 4075 | 0,25 |
| 345 | 1/2" | AFS08090B038 | 3/8" GAS | 8,5 / 13 | 38,10 | 54 | 17,48 | 61 | 20 | 16 | 9 | 38 | 14,00 | M8x30 | 5/16x1"1/4 | 4075 | 0,25 |
| 345 | 3/4" | AFS10090B | 3/4" GAS | 17 / 19 | 47,63 | 65 | 22,23 | 64 | 24 | 18 | 11 | 39 | 22,90 | M10x35 | 3/8x1"1/2 | 4100 | 0,38 |
| 345 | 1" | AFS10290B | 1" GAS | 22 / 25 | 52,37 | 70 | 26,19 | 70 | 28 | 19 | 11 | 43 | 28,70 | M10x35 | 3/8x1"1/2 | 4131 | 0,49 |
| 276 | 1"1/4 | AFS10490B | 1"1/4 GAS | 28,5 / 32 | 58,72 | 79 | 30,18 | 85 | 34 | 21 | 11,5 | 51 | 36,80 | M10x35 | 7/16x1"3/4 | 4150 | 0,77 |
| 207 | 1"1/2 | AFS10690B | 1"1/2 GAS | 34 / 38 | 69,85 | 93 | 35,71 | 96 | 38 | 25 | 13,5 | 56 | 42,70 | M12x35 | 1/2x1"3/4 | 4187 | 1,10 |

SERIE 6000

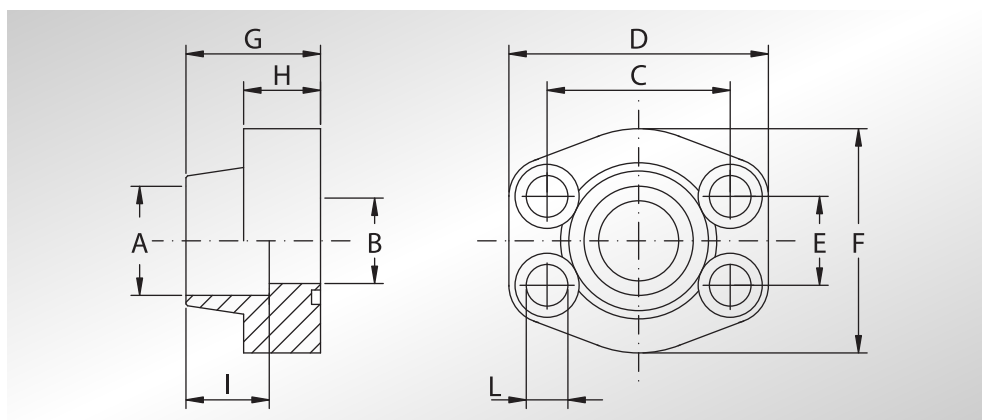
| | | | | | | | | | | | | | | | | | |
|-----|-------|--------------|-----------|-----------|-------|-----|-------|-----|----|----|------|----|-------|--------|------------|------|------|
| 414 | 1/2" | AFS40190B012 | 1/2" GAS | 11,5 / 13 | 40,49 | 54 | 18,24 | 61 | 20 | 16 | 9 | 38 | 17,50 | M8x30 | 5/16x1"1/4 | 4075 | 0,28 |
| 414 | 1/2" | AFS40190B038 | 3/8" GAS | 8,5 / 13 | 40,49 | 54 | 18,24 | 61 | 20 | 16 | 9 | 38 | 14,00 | M8x30 | 5/16x1"1/4 | 4075 | 0,28 |
| 414 | 3/4" | AFS40290B | 3/4" GAS | 17 / 19 | 50,80 | 70 | 23,80 | 70 | 28 | 19 | 11 | 43 | 22,90 | M10x40 | 3/8x1"1/2 | 4100 | 0,69 |
| 414 | 1" | AFS40390B | 1" GAS | 22 / 25 | 57,15 | 79 | 27,76 | 85 | 34 | 21 | 13 | 51 | 28,70 | M12x45 | 7/16x1"3/4 | 4131 | 1,11 |
| 414 | 1"1/4 | AFS40490B | 1"1/4 GAS | 28,5 / 32 | 66,68 | 93 | 31,75 | 96 | 38 | 25 | 15 * | 56 | 36,80 | M14x45 | 1/2x1"3/4 | 4150 | 1,45 |
| 414 | 1"1/2 | AFS40590B | 1"1/2 GAS | 34 / 38 | 79,38 | 110 | 36,50 | 110 | 42 | 25 | 17 | 65 | 42,70 | M16x50 | 5/8x2" | 4187 | 2,75 |

| DESIGNAZIONE PER ORDINE DESIGNATION FOR ORDER | Materiale / Material | |
|--|----------------------|-------------------|
| | ST52.3 | AISI 316L |
| Solo flangia Only flange | AFS...90B | AFX...90B |
| Flangia completa di viti metriche, grower e o-ring Flange complete of metric screws, grower type washers and o-ring | AFS...90BM | AFX...90BM |
| Flangia completa di viti unc, grower e o-ring Flange complete of unc screws, grower type washers and o-ring | AFS...90BU | AFX...90BU |

NOTE / NOTES

* Per viti unc L=13,5
* For unc screws L=13,5

set viti unc disponibili solo in acciaio al carbonio.
unc screws set available only in carbon steel.



| Pressione max di esercizio raccomandata Kg/cm ² | Grandezza | Tipo | Dimensioni | | | | | | | | | | Viti | | Or tipo | Peso Kg |
|--|-----------|------|------------|---|---|---|---|---|---|---|---|---|--------|-----|---------|-----------|
| Maximum recommended working pressure Kg/cm ² | Size | Type | Dimensions | | | | | | | | | | Screws | | Or type | Weight Kg |
| | | | A | B | C | D | E | F | G | H | I | L | Metric | Unc | | |

SERIE 3000

| | | | | | | | | | | | | | | | | |
|-----|-------|-------------|-------|-----|--------|-----|-------|-----|----|----|----|------|--------|------------|------|------|
| 345 | 1/2" | AFS080S | 21,6 | 13 | 38,10 | 57 | 17,48 | 46 | 36 | 16 | 19 | 9 | M8x30 | 5/16x1"1/4 | 4075 | 0,25 |
| 345 | 1/2" | AFS080S038 | 17,5 | 13 | 38,10 | 57 | 17,48 | 46 | 36 | 16 | 19 | 9 | M8x30 | 5/16x1"1/4 | 4075 | 0,27 |
| 345 | 3/4" | AFS100S | 27,2 | 19 | 47,63 | 65 | 22,23 | 50 | 36 | 18 | 19 | 11 | M10x35 | 3/8x1"1/2 | 4100 | 0,37 |
| 345 | 1" | AFS102S | 34,0 | 25 | 52,37 | 70 | 26,19 | 55 | 38 | 18 | 19 | 11 | M10x35 | 3/8x1"1/2 | 4131 | 0,45 |
| 276 | 1"1/4 | AFS104S | 42,8 | 32 | 58,72 | 79 | 30,18 | 68 | 41 | 21 | 22 | 11,5 | M10x40 | 7/16x1"3/4 | 4150 | 0,66 |
| 207 | 1"1/2 | AFS106S | 48,6 | 38 | 69,85 | 93 | 35,71 | 78 | 45 | 25 | 24 | 13,5 | M12x45 | 1/2x1"3/4 | 4187 | 1,03 |
| 207 | 2" | AFS108S | 61,0 | 51 | 77,77 | 102 | 42,88 | 90 | 45 | 25 | 26 | 13,5 | M12x45 | 1/2x1"3/4 | 4225 | 1,17 |
| 172 | 2"1/2 | AFS110S | 76,6 | 63 | 88,90 | 114 | 50,80 | 105 | 50 | 25 | 30 | 13,5 | M12x45 | 1/2x1"3/4 | 4275 | 1,53 |
| 138 | 3" | AFS112S | 90,5 | 73 | 106,38 | 134 | 61,93 | 124 | 50 | 27 | 34 | 17,5 | M16x50 | 5/8x2" | 4337 | 2,09 |
| 34 | 3"1/2 | AFS114S | 103,0 | 89 | 120,65 | 152 | 69,85 | 136 | 48 | 27 | 34 | 17,5 | M16x50 | 5/8x2" | 4387 | 2,35 |
| 34 | 4" | AFS116S | 115,5 | 99 | 130,18 | 162 | 77,77 | 146 | 48 | 27 | 34 | 17,5 | M16x50 | 5/8x2" | 4437 | 2,70 |
| 34 | 5" | AFS118S (*) | 142,0 | 120 | 152,40 | 184 | 92,08 | 180 | 50 | 28 | 28 | 17,5 | M16x50 | 5/8x2" | 4537 | 5,80 |

SERIE 6000

| | | | | | | | | | | | | | | | | |
|-----|-------|-------------|------|----|--------|-----|-------|-----|----|----|----|------|---------|------------|------|------|
| 414 | 1/2" | AFS401S012 | 21,6 | 13 | 40,49 | 57 | 18,24 | 46 | 36 | 16 | 19 | 9 | M8x30 | 5/16x1"1/4 | 4075 | 0,25 |
| 414 | 1/2" | AFS401S038 | 17,5 | 13 | 40,49 | 57 | 18,24 | 46 | 36 | 16 | 19 | 9 | M8x30 | 5/16x1"1/4 | 4075 | 0,27 |
| 414 | 3/4" | AFS402S | 27,2 | 19 | 50,80 | 71 | 23,80 | 55 | 35 | 21 | 22 | 11 | M10x40 | 3/8x1"1/2 | 4100 | 0,51 |
| 414 | 1" | AFS403S | 34,0 | 25 | 57,15 | 81 | 27,76 | 65 | 42 | 25 | 22 | 13 | M12x45 | 7/16x1"3/4 | 4131 | 0,80 |
| 414 | 1"1/4 | AFS404S | 42,8 | 32 | 66,68 | 95 | 31,75 | 78 | 45 | 27 | 25 | 15 * | M14x45 | 1/2x1"3/4 | 4150 | 1,13 |
| 414 | 1"1/2 | AFS405S | 48,6 | 38 | 79,38 | 112 | 36,50 | 94 | 50 | 30 | 28 | 17 | M16x50 | 5/8x2" | 4187 | 1,86 |
| 414 | 2" | AFS406S | 61,0 | 51 | 96,82 | 134 | 44,45 | 114 | 65 | 37 | 24 | 21 | M20x70 | 3/4x2"1/2 | 4225 | 3,30 |
| 414 | 2"1/2 | AFS507S (*) | 76,6 | 63 | 123,80 | 180 | 58,70 | 152 | 80 | 45 | 32 | 26 | M24x80 | - | 4275 | 6,60 |
| 414 | 3" | AFS508S (*) | 90,5 | 73 | 152,40 | 208 | 71,40 | 178 | 90 | 55 | 30 | 33 | M30x100 | - | 4337 | - |

**DESIGNAZIONE PER ORDINE
DESIGNATION FOR ORDER**

Solo flangia
Only flange

Flangia completa di viti metriche, grower e o-ring
Flange complete of metric screws, grower type washers and o-ring

Flangia completa di viti unc, grower e o-ring
Flange complete of unc screws, grower type washers and o-ring

Materiale / Material

ST52.3 **AISI 316L**

AFS...S **AFX...S**

AFS...SM **AFX...SM**

AFS...SU **AFX...SU**

NOTE / NOTES

* Per viti unc L=13,5
* For unc screws L=13,5

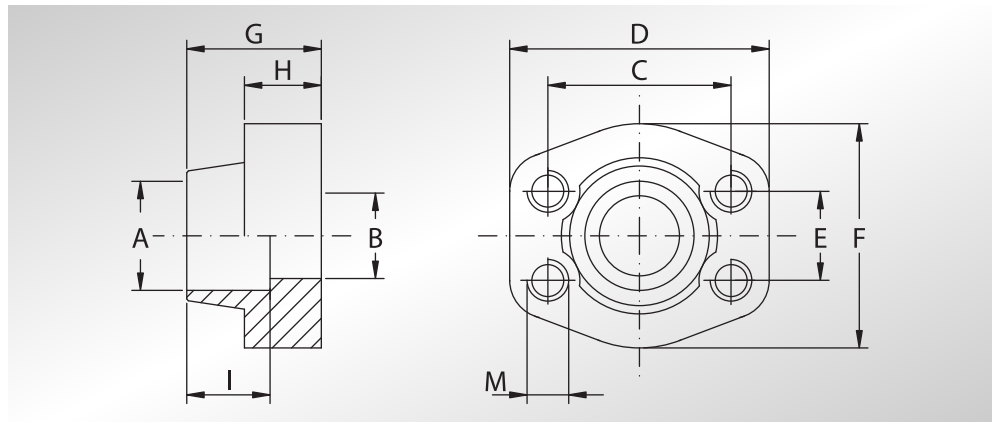
(*) Solo in ST52.3
(*) Only in ST52.3

set viti unc disponibili solo in acciaio al carbonio.
unc screws set available only in carbon steel.



CONTROFLANGE A SALDARE DI TASCA

WELD IN COUNTER-FLANGES



| Pressione max di esercizio raccomandata Kg/cm ² | Grandezza | Tipo | Dimensioni | | | | | | | | | | Peso Kg | |
|--|-----------|-------------|------------|-----|--------|-----|-------|-----|----|----|----|-----|---------|-----------|
| | | | Dimensions | | | | | | | | | | | |
| Maximum recommended working pressure Kg/cm ² | Size | Type | A | B | C | D | E | F | G | H | I | M | | Weight Kg |
| | | | | | | | | | | | | | | |
| SERIE 3000 | | | | | | | | | | | | | | |
| 345 | 1/2" | GFS080S | 21,6 | 13 | 38,10 | 57 | 17,48 | 46 | 36 | 16 | 19 | M8 | 5/16 | 0,25 |
| 345 | 1/2" | GFS080S038 | 17,5 | 13 | 38,10 | 57 | 17,48 | 46 | 36 | 16 | 19 | M8 | 5/16 | 0,28 |
| 345 | 3/4" | GFS100S | 27,2 | 19 | 47,63 | 65 | 22,23 | 50 | 36 | 18 | 19 | M10 | 3/8 | 0,39 |
| 345 | 1" | GFS102S | 34,0 | 25 | 52,37 | 70 | 26,19 | 55 | 38 | 18 | 19 | M10 | 3/8 | 0,46 |
| 276 | 1"1/4 | GFS104S | 42,8 | 32 | 58,72 | 79 | 30,18 | 68 | 41 | 21 | 22 | M10 | 7/16 | 0,71 |
| 207 | 1"1/2 | GFS106S | 48,6 | 38 | 69,85 | 93 | 35,71 | 78 | 45 | 25 | 24 | M12 | 1/2 | 1,11 |
| 207 | 2" | GFS108S | 61,0 | 51 | 77,77 | 102 | 42,88 | 90 | 45 | 25 | 26 | M12 | 1/2 | 1,19 |
| 172 | 2"1/2 | GFS110S | 76,6 | 63 | 88,90 | 114 | 50,80 | 105 | 50 | 25 | 30 | M12 | 1/2 | 1,40 |
| 138 | 3" | GFS112S | 90,5 | 73 | 106,38 | 134 | 61,93 | 124 | 50 | 27 | 34 | M16 | 5/8 | 2,15 |
| 34 | 3"1/2 | GFS114S | 103,0 | 89 | 120,65 | 152 | 69,85 | 136 | 48 | 27 | 34 | M16 | 5/8 | 2,40 |
| 34 | 4" | GFS116S | 115,5 | 99 | 130,18 | 162 | 77,77 | 146 | 48 | 27 | 34 | M16 | 5/8 | 2,85 |
| 34 | 5" | GFS118S (*) | 142,0 | 120 | 152,40 | 184 | 92,08 | 180 | 50 | 28 | 28 | M16 | 5/8 | 5,80 |
| SERIE 6000 | | | | | | | | | | | | | | |
| 414 | 1/2" | GFS401S012 | 21,6 | 13 | 40,49 | 57 | 18,24 | 46 | 36 | 16 | 19 | M8 | 5/16 | 0,26 |
| 414 | 1/2" | GFS401S038 | 17,5 | 13 | 40,49 | 57 | 18,24 | 46 | 36 | 16 | 19 | | 5/16 | 0,29 |
| 414 | 3/4" | GFS402S | 27,2 | 19 | 50,80 | 71 | 23,80 | 55 | 35 | 21 | 22 | M10 | 3/8 | 0,50 |
| 414 | 1" | GFS403S | 34,0 | 25 | 57,15 | 81 | 27,76 | 65 | 42 | 25 | 22 | M12 | 7/16 | 0,76 |
| 414 | 1"1/4 | GFS404S | 42,8 | 32 | 66,68 | 95 | 31,75 | 78 | 45 | 27 | 25 | M14 | 1/2 | 1,20 |
| 414 | 1"1/2 | GFS405S | 48,6 | 38 | 79,38 | 112 | 36,50 | 94 | 50 | 30 | 28 | M16 | 5/8 | 1,94 |
| 414 | 2" | GFS406S | 61,0 | 51 | 96,82 | 134 | 44,45 | 114 | 65 | 37 | 24 | M20 | 3/4 | 3,42 |
| 414 | 2"1/2 | GFS507S (*) | 76,6 | 63 | 123,80 | 180 | 58,70 | 152 | 80 | 45 | 32 | M24 | - | 6,75 |
| 414 | 3" | GFS508S (*) | 90,5 | 73 | 152,40 | 208 | 71,40 | 178 | 90 | 55 | 30 | M30 | - | - |

DESIGNAZIONE PER ORDINE DESIGNATION FOR ORDER

Controflangia con fori di fissaggio filettati metrici
Counter-flange with metric threaded fixing holes

Materiale / Material
ST52.3 AISI 316L

GFS...S GFX...S

Controflangia con fori di fissaggio filettati unc
Counter-flange with unc threaded fixing holes

GFS...SU GFX...SU

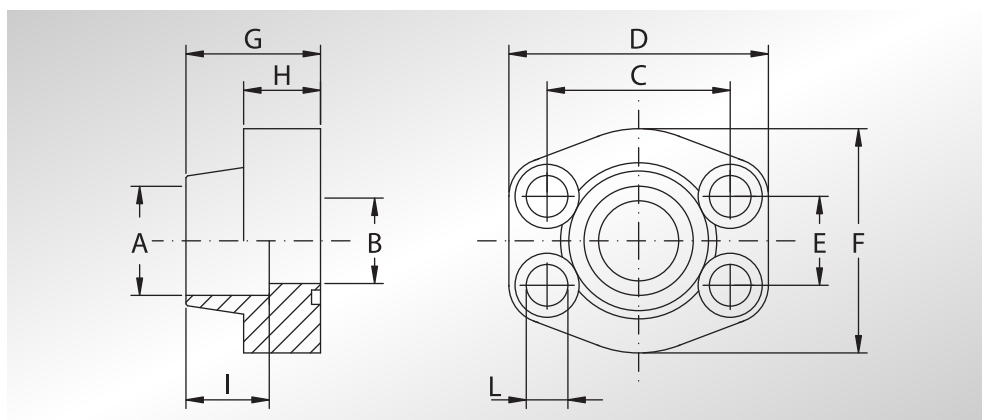
NOTE / NOTES

- (*) Solo in ST52.3
- (*) Only in ST52.3

**FLANGE
A SALDARE
DI TASCA
TUBO METRICO**



**METRIC PIPE
WELD IN
FLANGES**



| Pressione max di esercizio raccomandata Kg/cm ² | Grandezza | Tipo | Dimensioni | | | | | | | | | | Viti | | Or tipo | Peso Kg |
|--|-----------|------|------------|---|---|---|---|---|---|---|---|---|--------|-----|---------|-----------|
| Maximum recommended working pressure Kg/cm ² | Size | Type | Dimensions | | | | | | | | | | Screws | | Or type | Weight Kg |
| | | | A | B | C | D | E | F | G | H | I | L | Metric | Unc | | |

SERIE 3000

| | | | | | | | | | | | | | | | | |
|-----|-------|------------|------|----|-------|----|-------|----|----|----|----|------|--------|------------|------|------|
| 345 | 1/2" | AFS080SA20 | 20,3 | 13 | 38,10 | 57 | 17,48 | 46 | 36 | 16 | 19 | 9 | M8x30 | 5/16x1"1/4 | 4075 | 0,25 |
| 345 | 3/4" | AFS100SA25 | 25,3 | 19 | 47,63 | 65 | 22,23 | 50 | 36 | 18 | 19 | 11 | M10x35 | 3/8x1"1/2 | 4100 | 0,39 |
| 345 | 1" | AFS102SA30 | 30,3 | 25 | 52,37 | 70 | 26,19 | 55 | 38 | 18 | 19 | 11 | M10x35 | 3/8x1"1/2 | 4131 | 0,46 |
| 276 | 1"1/4 | AFS104SA38 | 38,3 | 32 | 58,72 | 79 | 30,18 | 68 | 41 | 21 | 22 | 11,5 | M10x40 | 7/16x1"3/4 | 4150 | 0,66 |
| 207 | 1"1/2 | AFS106SA50 | 50,5 | 38 | 69,85 | 93 | 35,71 | 78 | 45 | 25 | 24 | 13,5 | M12x45 | 1/2x1"3/4 | 4187 | 1,05 |

SERIE 6000

| | | | | | | | | | | | | | | | | |
|-----|-------|---------------|------|----|-------|-----|-------|----|----|----|----|------|--------|------------|------|------|
| 414 | 1/2" | AFS401SA20 | 20,3 | 13 | 40,49 | 57 | 18,24 | 46 | 36 | 16 | 19 | 9 | M8x30 | 5/16x1"1/4 | 4075 | 0,25 |
| 414 | 3/4" | AFS402SA25 | 25,3 | 19 | 50,80 | 71 | 23,80 | 55 | 35 | 21 | 22 | 11 | M10x40 | 3/8x1"1/2 | 4100 | 0,50 |
| 414 | 1" | AFS403SA30 | 30,3 | 25 | 57,15 | 81 | 27,76 | 65 | 42 | 25 | 22 | 13 | M12x45 | 7/16x1"3/4 | 4131 | 0,76 |
| 414 | 1"1/4 | AFS404SA38 | 38,3 | 32 | 66,68 | 95 | 31,75 | 78 | 45 | 27 | 25 | 15 * | M14x45 | 1/2x1"3/4 | 4150 | 1,20 |
| 414 | 1"1/4 | AFS404SA38B26 | 38,3 | 26 | 66,68 | 95 | 31,75 | 78 | 45 | 27 | 25 | 15 | M14x45 | - | 4150 | 1,25 |
| 414 | 1"1/4 | AFS404SA38B28 | 38,3 | 28 | 66,68 | 95 | 31,75 | 78 | 45 | 27 | 25 | 15 | M14x45 | - | 4150 | 1,25 |
| 414 | 1"1/2 | AFS405SAA50 | 50,5 | 38 | 79,38 | 112 | 36,50 | 94 | 50 | 30 | 28 | 17 | M16x50 | 5/8x2" | 4187 | 1,90 |

**DESIGNAZIONE PER ORDINE
DESIGNATION FOR ORDER**

Solo flangia
Only flange

Flangia completa di viti metriche, grower e o-ring
Flange complete of metric screws, grower type washers and o-ring

Flangia completa di viti unc, grower e o-ring
Flange complete of unc screws, grower type washers and o-ring

Materiale / Material

ST52.3 **AISI 316L**

AFS...SA **AFX...SA**

AFS...SMA **AFX...SMA**

AFS...SUA **AFX...SUA**

NOTE / NOTES

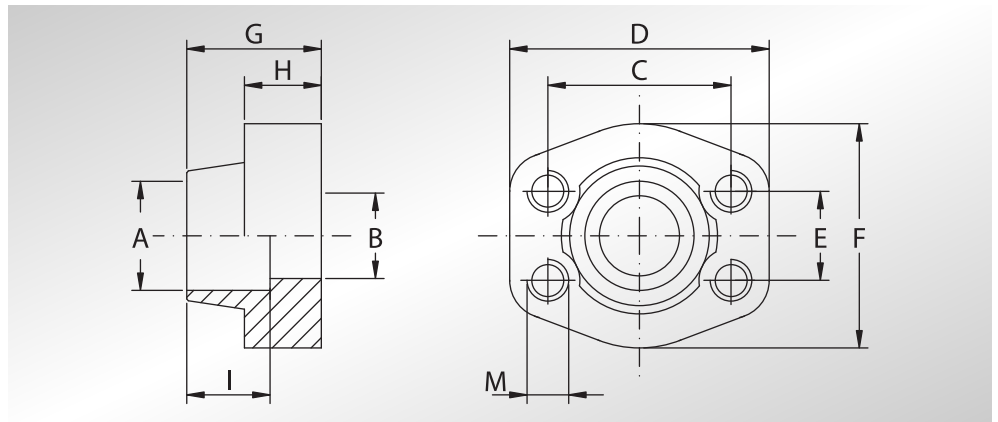
* Per viti unc L=13,5
* For unc screws L=13,5

set viti unc disponibili solo in acciaio al carbonio.
unc screws set available only in carbon steel.



**CONTROFLANGE
A SALDARE
DI TASCA
TUBO METRICO**

**METRIC PIPE
WELD IN
COUNTER-FLANGES**



| Pressione max di esercizio raccomandata Kg/cm ² | Grandezza | Tipo | Dimensioni | | | | | | | | | | Peso Kg | |
|--|-----------|---------------|------------|----|-------|-----|-------|----|----|----|----|-----|---------|-----------|
| | | | Dimensions | | | | | | | | | | | |
| Maximum recommended working pressure Kg/cm ² | Size | Type | A | B | C | D | E | F | G | H | I | M | | Weight Kg |
| | | | | | | | | | | | | | | |
| SERIE 3000 | | | | | | | | | | | | | | |
| 345 | 1/2" | GFS080SA20 | 20,3 | 13 | 38,10 | 57 | 17,48 | 46 | 36 | 16 | 19 | M8 | 5/16 | 0,26 |
| 345 | 3/4" | GFS100SA25 | 25,3 | 19 | 47,63 | 65 | 22,23 | 50 | 36 | 18 | 19 | M10 | 3/8 | 0,43 |
| 345 | 1" | GFS102SA30 | 30,3 | 25 | 52,37 | 70 | 26,19 | 55 | 38 | 18 | 19 | M10 | 3/8 | 0,50 |
| 276 | 1"1/4 | GFS104SA38 | 38,3 | 32 | 58,72 | 79 | 30,18 | 68 | 41 | 21 | 22 | M10 | 7/16 | 0,71 |
| 207 | 1"1/2 | GFS106SA50 | 50,5 | 38 | 69,85 | 93 | 35,71 | 78 | 45 | 25 | 24 | M12 | 1/2 | 1,12 |
| SERIE 6000 | | | | | | | | | | | | | | |
| 414 | 1/2" | GFS401SA20 | 20,3 | 13 | 40,49 | 57 | 18,24 | 46 | 36 | 16 | 19 | M8 | 5/16 | 0,26 |
| 414 | 3/4" | GFS402SA25 | 25,3 | 19 | 50,80 | 71 | 23,80 | 55 | 35 | 21 | 22 | M10 | 3/8 | 0,54 |
| 414 | 1" | GFS403SA30 | 30,3 | 25 | 57,15 | 81 | 27,76 | 65 | 42 | 25 | 22 | M12 | 7/16 | 0,82 |
| 414 | 1"1/4 | GFS404SA38 | 38,3 | 32 | 66,68 | 95 | 31,75 | 78 | 45 | 27 | 25 | M14 | 1/2 | 1,28 |
| 414 | 1"1/4 | GFS404SA38B26 | 38 | 26 | 66,68 | 95 | 31,75 | 78 | 45 | 27 | 25 | M14 | 1/2 | 1,32 |
| 414 | 1"1/4 | GFS404SA38B28 | 38 | 28 | 66,68 | 95 | 31,75 | 78 | 45 | 27 | 25 | M14 | 1/2 | 1,32 |
| 414 | 1"1/2 | GFS405SA50 | 50,5 | 38 | 79,38 | 112 | 36,50 | 94 | 50 | 30 | 28 | M16 | 5/8 | 1,94 |

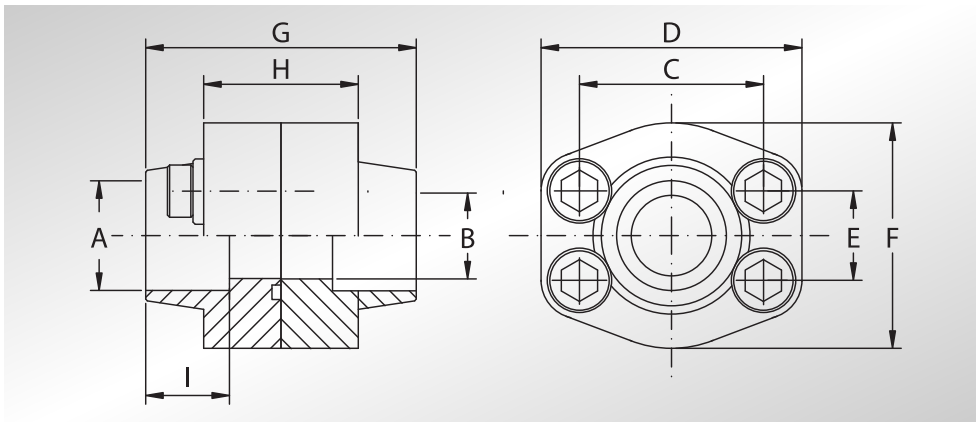
| DESIGNAZIONE PER ORDINE DESIGNATION FOR ORDER | Materiale / Material | |
|---|----------------------|------------------|
| | ST52.3 | AISI 316L |
| Controflangia con fori di fissaggio filettati metrici Counter-flange with metric threaded fixing holes | GFS...SA | GFX...SA |
| Controflangia con fori di fissaggio filettati unc Counter-flange with unc threaded fixing holes | GFS...SAU | GFX...SAU |

NOTE / NOTES

**DOPPIE FLANGE
A SALDARE
DI TASCA**



**WELD IN
DOUBLE FLANGES**



| Pressione max di esercizio raccomandata Kg/cm ² | Grandezza | Tipo | Dimensioni | | | | | | | | | Viti | | Or tipo | Peso Kg |
|--|-----------|------|------------|---|---|---|---|---|---|---|---|--------|-----|---------|-----------|
| Maximum recommended working pressure Kg/cm ² | Size | Type | Dimensions | | | | | | | | | Screws | | Or type | Weight Kg |
| | | | A | B | C | D | E | F | G | H | I | Metric | Unc | | |

SERIE 3000

| | | | | | | | | | | | | | | | |
|-----|-------|-------------|-------|-----|--------|-----|-------|-----|-----|----|----|--------|------------|------|-------|
| 345 | 1/2" | DFS080S | 21,6 | 13 | 38,10 | 57 | 17,48 | 46 | 72 | 32 | 19 | M8x30 | 5/16x1"1/4 | 4075 | 0,56 |
| 345 | 1/2" | DFS080S038 | 17,5 | 13 | 38,10 | 57 | 17,48 | 46 | 72 | 32 | 19 | M8x30 | 5/16x1"1/4 | 4075 | 0,61 |
| 345 | 3/4" | DFS100S | 27,2 | 19 | 47,63 | 65 | 22,23 | 50 | 72 | 36 | 19 | M10x35 | 3/8x1"1/2 | 4100 | 0,88 |
| 345 | 1" | DFS102S | 34,0 | 25 | 52,37 | 70 | 26,19 | 55 | 76 | 36 | 19 | M10x35 | 3/8x1"1/2 | 4131 | 1,03 |
| 276 | 1"1/4 | DFS104S | 42,8 | 32 | 58,72 | 79 | 30,18 | 68 | 82 | 42 | 22 | M10x40 | 7/16x1"3/4 | 4150 | 1,50 |
| 207 | 1"1/2 | DFS106S | 48,6 | 38 | 69,85 | 93 | 35,71 | 78 | 90 | 50 | 24 | M12x45 | 1/2x1"3/4 | 4187 | 1,65 |
| 207 | 2" | DFS108S | 61,0 | 51 | 77,77 | 102 | 42,88 | 90 | 90 | 50 | 26 | M12x45 | 1/2x1"3/4 | 4225 | 2,56 |
| 172 | 2"1/2 | DFS110S | 76,6 | 63 | 88,90 | 114 | 50,80 | 105 | 100 | 50 | 30 | M12x45 | 1/2x1"3/4 | 4275 | 3,13 |
| 138 | 3" | DFS112S | 90,5 | 73 | 106,38 | 134 | 61,93 | 124 | 100 | 54 | 34 | M16x50 | 5/8x2" | 4337 | 4,67 |
| 34 | 3"1/2 | DFS114S | 103,0 | 89 | 120,65 | 152 | 69,85 | 136 | 96 | 54 | 34 | M16x50 | 5/8x2" | 4387 | 5,18 |
| 34 | 4" | DFS116S | 115,5 | 99 | 130,18 | 162 | 77,77 | 146 | 96 | 54 | 34 | M16x50 | 5/8x2" | 4437 | 5,98 |
| 34 | 5" | DFS118S (•) | 142,0 | 120 | 152,40 | 184 | 92,08 | 180 | 100 | 56 | 28 | M16x50 | 5/8x2" | 4537 | 12,12 |

SERIE 6000

| | | | | | | | | | | | | | | | |
|-----|-------|-------------|------|----|--------|-----|-------|-----|-----|-----|----|---------|------------|------|------|
| 414 | 1/2" | DFS401S012 | 21,6 | 13 | 40,49 | 57 | 18,24 | 46 | 72 | 32 | 19 | M8x30 | 5/16x1"1/4 | 4075 | 0,57 |
| 414 | 1/2" | DFS401S038 | 17,5 | 13 | 40,49 | 57 | 18,24 | 46 | 72 | 32 | 19 | M8x30 | 5/16x1"1/4 | 4075 | 0,62 |
| 414 | 3/4" | DFS402S | 27,2 | 19 | 50,80 | 71 | 23,80 | 55 | 70 | 42 | 22 | M10x40 | 3/8x1"1/2 | 4100 | 1,14 |
| 414 | 1" | DFS403S | 34,0 | 25 | 57,15 | 81 | 27,76 | 65 | 84 | 50 | 22 | M12x45 | 7/16x1"3/4 | 4131 | 1,76 |
| 414 | 1"1/4 | DFS404S | 42,8 | 32 | 66,68 | 95 | 31,75 | 78 | 90 | 54 | 25 | M14x45 | 1/2x1"3/4 | 4150 | 2,62 |
| 414 | 1"1/2 | DFS405S | 48,6 | 38 | 79,38 | 112 | 36,50 | 94 | 100 | 60 | 28 | M16x50 | 5/8x2" | 4187 | 4,23 |
| 414 | 2" | DFS406S | 61,0 | 51 | 96,82 | 134 | 44,45 | 114 | 130 | 74 | 24 | M20x70 | 3/4x2"1/2 | 4225 | 7,63 |
| 414 | 2"1/2 | DFS507S (•) | 76,6 | 63 | 123,80 | 180 | 58,70 | 152 | 160 | 90 | 32 | M24x80 | - | 4275 | - |
| 414 | 3" | DFS508S (•) | 90,5 | 73 | 152,40 | 208 | 71,40 | 178 | 180 | 110 | 30 | M30x100 | - | 4337 | - |

| DESIGNAZIONE PER ORDINE DESIGNATION FOR ORDER | Materiale / Material | |
|--|----------------------|-----------------|
| | ST52.3 | AISI 316L |
| Flangia + controflangia + set viti metriche Flange + counter-flange + metric screws set | DFS...SM | DFX...SM |
| Flangia + controflangia + set viti unc Flange + counter-flange + unc screws set | DFS...SU | DFX...SU |

NOTE / NOTES

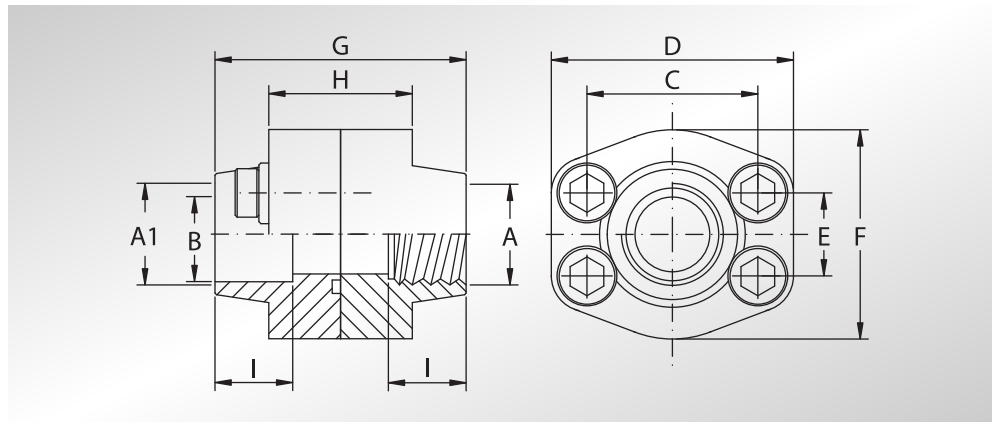
- (•) Solo in ST52.3
- (•) Only in ST52.3

set viti unc disponibili solo in acciaio al carbonio.
unc screws set available only in carbon steel.



DOPPIE FLANGE FILETTATE GAS E A SALDARE DI TASCA

BSP THREADED AND WELD IN DOUBLE FLANGES



| Pressione max di esercizio raccomandata Kg/cm ² | Grandezza | Tipo | Dimensioni | | | | | | | | | Viti | | Or tipo | Peso Kg | |
|--|-----------|------|------------|----|---|---|---|---|---|---|---|--------|--------|---------|-----------|--|
| Maximum recommended working pressure Kg/cm ² | Size | Type | Dimensions | | | | | | | | | Screws | | Or type | Weight Kg | |
| | | | A | A1 | B | C | D | E | F | G | H | I | Metric | Unc | | |

SERIE 3000

| | | | | | | | | | | | | | | | | |
|-----|-------|-------------|-----------|-------|-----|--------|-----|-------|-----|-----|----|-------|--------|------------|------|-------|
| 345 | 1/2" | DFS080F | 1/2" GAS | 21,6 | 13 | 38,10 | 57 | 17,48 | 46 | 72 | 32 | 19 | M8x30 | 5/16x1"1/4 | 4075 | 0,57 |
| 345 | 1/2" | DFS080F038 | 3/8" GAS | 17,5 | 13 | 38,10 | 57 | 17,48 | 46 | 72 | 32 | 19 | M8x30 | 5/16x1"1/4 | 4075 | 0,61 |
| 345 | 3/4" | DFS100F | 3/4" GAS | 27,2 | 19 | 47,63 | 65 | 22,23 | 50 | 72 | 36 | 19 | M10x35 | 3/8x1"1/2 | 4100 | 0,90 |
| 345 | 1" | DFS102F | 1" GAS | 34,0 | 25 | 52,37 | 70 | 26,19 | 55 | 76 | 36 | 19 | M10x35 | 3/8x1"1/2 | 4131 | 1,06 |
| 276 | 1"1/4 | DFS104F | 1"1/4 GAS | 42,8 | 32 | 58,72 | 79 | 30,18 | 68 | 82 | 42 | 22 | M10x40 | 7/16x1"3/4 | 4150 | 1,50 |
| 207 | 1"1/2 | DFS106F | 1"1/2 GAS | 48,6 | 38 | 69,85 | 93 | 35,71 | 78 | 90 | 50 | 24 | M12x45 | 1/2x1"3/4 | 4187 | 2,36 |
| 207 | 2" | DFS108F | 2" GAS | 61,0 | 51 | 77,77 | 102 | 42,88 | 90 | 90 | 50 | 26/30 | M12x45 | 1/2x1"3/4 | 4225 | 2,61 |
| 172 | 2"1/2 | DFS110F | 2"1/2 GAS | 76,6 | 63 | 88,90 | 114 | 50,80 | 105 | 100 | 50 | 30 | M12x45 | 1/2x1"3/4 | 4275 | 3,40 |
| 138 | 3" | DFS112F | 3" GAS | 90,5 | 73 | 106,38 | 134 | 61,93 | 124 | 100 | 54 | 34 | M16x50 | 5/8x2" | 4337 | 4,89 |
| 34 | 3"1/2 | DFS114F | 3"1/2 GAS | 103,0 | 89 | 120,65 | 152 | 69,85 | 136 | 96 | 54 | 34 | M16x50 | 5/8x2" | 4387 | 5,29 |
| 34 | 4" | DFS116F | 4" GAS | 115,5 | 99 | 130,18 | 162 | 77,77 | 146 | 96 | 54 | 34 | M16x50 | 5/8x2" | 4437 | 6,00 |
| 34 | 5" | DFS118F (•) | 5" GAS | 142,0 | 120 | 152,40 | 184 | 92,08 | 180 | 100 | 56 | 28/30 | M16x50 | 5/8x2" | 4537 | 12,12 |

SERIE 6000

| | | | | | | | | | | | | | | | | |
|-----|-------|-------------|-----------|------|----|--------|-----|-------|-----|-----|-----|-------|---------|------------|------|------|
| 414 | 1/2" | DFS401F012 | 1/2" GAS | 21,6 | 13 | 40,49 | 57 | 18,24 | 46 | 72 | 32 | 19 | M8x30 | 5/16x1"1/4 | 4075 | 0,57 |
| 414 | 1/2" | DFS401F038 | 3/8" GAS | 17,5 | 13 | 40,49 | 57 | 18,24 | 46 | 72 | 32 | 19 | M8x30 | 5/16x1"1/4 | 4075 | 0,62 |
| 414 | 3/4" | DFS402F | 3/4" GAS | 27,2 | 19 | 50,80 | 71 | 23,80 | 55 | 70 | 42 | 22 | M10x40 | 3/8x1"1/2 | 4100 | 1,19 |
| 414 | 1" | DFS403F | 1" GAS | 34,0 | 25 | 57,15 | 81 | 27,76 | 65 | 84 | 50 | 22 | M12x45 | 7/16x1"3/4 | 4131 | 1,88 |
| 414 | 1"1/4 | DFS404F | 1"1/4 GAS | 42,8 | 32 | 66,68 | 95 | 31,75 | 78 | 90 | 54 | 25 | M14x45 | 1/2x1"3/4 | 4150 | 2,63 |
| 414 | 1"1/2 | DFS405F | 1"1/2 GAS | 48,6 | 38 | 79,38 | 112 | 36,50 | 94 | 100 | 60 | 28 | M16x50 | 5/8x2" | 4187 | 4,19 |
| 414 | 2" | DFS406F | 2" GAS | 61,0 | 51 | 96,82 | 134 | 44,45 | 114 | 130 | 74 | 24/30 | M20x70 | 3/4x2"1/2 | 4225 | 7,64 |
| 414 | 2"1/2 | DFS507F (•) | 2"1/2 GAS | 76,6 | 63 | 123,80 | 180 | 58,70 | 152 | 160 | 90 | 32 | M24x80 | - | 4275 | - |
| 414 | 3" | DFS508F (•) | 3" GAS | 90,5 | 73 | 152,40 | 208 | 71,40 | 178 | 180 | 110 | 30/40 | M30x100 | - | 4337 | - |

| DESIGNAZIONE PER ORDINE DESIGNATION FOR ORDER | Materiale / Material | |
|--|----------------------|-----------|
| | ST52.3 | AISI 316L |
| Flangia a saldare di tasca + controflangia filettata gas + set viti metriche Weld in flange + BSP threaded counter-flange + metric screws set | DFS...FM | DFX...FM |
| Flangia a saldare di tasca + controflangia filettata gas + set viti unc Weld in flange + BSP threaded counter-flange + unc screws set | DFS...FU | DFX...FU |

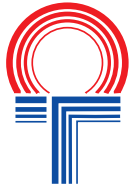
NOTE / NOTES

* Per viti unc L=13,5
* For unc screws L=13,5

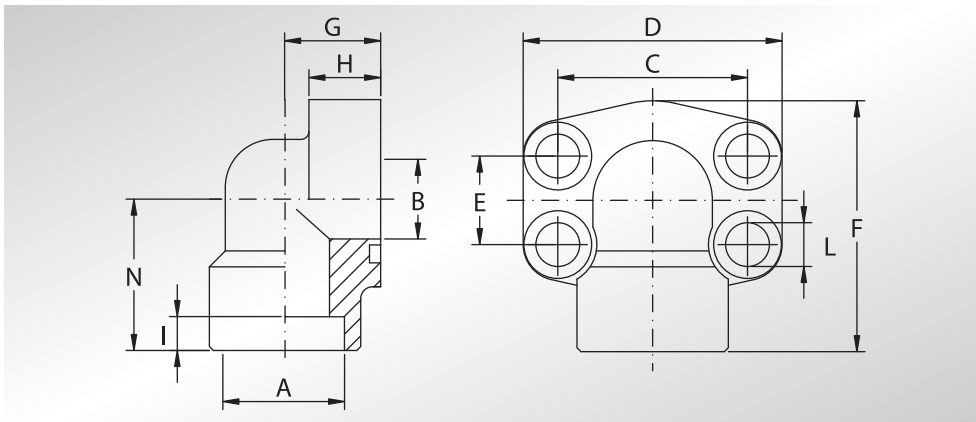
(•) Solo in ST52.3
(•) Only in ST52.3

set viti unc disponibili solo in acciaio al carbonio.
unc screws set available only in carbon steel.

FLANGE A 90° A SALDARE DI TASCA



WELD IN 90° FLANGES



| Pressione max di esercizio raccomandata Kg/cm ² | Grandezza | Tipo | Dimensioni | | | | | | | | | | | Viti | | Or tipo | Peso Kg |
|--|-----------|--------------|------------|----|-------|-----|-------|-----|----|----|----|------|----|--------|------------|---------|---------|
| | | | Dimensions | | | | | | | | | | | Screws | | | |
| Maximum recommended working pressure Kg/cm ² | Size | Type | A | B | C | D | E | F | G | H | I | L | N | Metric | Unc | | |
| SERIE 3000 | | | | | | | | | | | | | | | | | |
| 345 | 1/2" | AFS08090S | 21,6 | 13 | 38,10 | 54 | 17,48 | 60 | 20 | 16 | 10 | 9 | 37 | M8x30 | 5/16x1"1/4 | 4075 | 0,28 |
| 345 | 1/2" | AFS08090S038 | 17,5 | 13 | 38,10 | 54 | 17,48 | 60 | 20 | 16 | 10 | 9 | 37 | M8x30 | 5/16x1"1/4 | 4075 | 0,29 |
| 345 | 3/4" | AFS10090S | 27,2 | 19 | 47,63 | 65 | 22,23 | 63 | 24 | 18 | 10 | 11 | 38 | M10x35 | 3/8x1"1/2 | 4100 | 0,45 |
| 345 | 1" | AFS10290S | 34,0 | 25 | 52,37 | 70 | 26,19 | 70 | 28 | 19 | 12 | 11 | 43 | M10x35 | 3/8x1"1/2 | 4131 | 0,56 |
| 276 | 1"1/4 | AFS10490S | 42,8 | 32 | 58,72 | 79 | 30,18 | 85 | 34 | 21 | 14 | 11,5 | 51 | M10x40 | 7/16x1"3/4 | 4150 | 0,89 |
| 207 | 1"1/2 | AFS10690S | 48,6 | 38 | 69,85 | 93 | 35,71 | 95 | 38 | 25 | 16 | 13,5 | 56 | M12x45 | 1/2x1"3/4 | 4187 | 1,18 |
| 207 | 2" | AFS10890S | 61,0 | 51 | 77,77 | 110 | 42,88 | 110 | 42 | 25 | 18 | 13,5 | 65 | M12x45 | 1/2x1"3/4 | 4225 | 2,06 |
| SERIE 6000 | | | | | | | | | | | | | | | | | |
| 414 | 1/2" | AFS40190S012 | 21,6 | 13 | 40,49 | 54 | 18,24 | 60 | 20 | 16 | 10 | 9 | 37 | M8x30 | 5/16x1"1/4 | 4075 | 0,28 |
| 414 | 1/2" | AFS40190S038 | 17,5 | 13 | 40,49 | 54 | 18,24 | 60 | 20 | 16 | 10 | 9 | 37 | M8x30 | 5/16x1"1/4 | 4075 | 0,29 |
| 414 | 3/4" | AFS40290S | 27,2 | 19 | 50,80 | 70 | 23,80 | 70 | 28 | 19 | 12 | 11 | 43 | M10x40 | 3/8x1"1/2 | 4100 | 0,69 |
| 414 | 1" | AFS40390S | 34,0 | 25 | 57,15 | 79 | 27,76 | 85 | 34 | 21 | 14 | 13 | 51 | M12x45 | 7/16x1"3/4 | 4131 | 1,11 |
| 414 | 1"1/4 | AFS40490S | 42,8 | 32 | 66,68 | 93 | 31,75 | 95 | 38 | 25 | 16 | 15 * | 56 | M14x45 | 1/2x1"3/4 | 4150 | 1,45 |
| 414 | 1"1/2 | AFS40590S | 48,6 | 38 | 79,38 | 110 | 36,50 | 110 | 42 | 25 | 18 | 17 | 65 | M16x50 | 5/8x2" | 4187 | 2,75 |
| 414 | 2" | AFS40690S | 61,0 | 51 | 96,82 | 134 | 44,45 | 132 | 45 | 35 | 25 | 21 | 75 | M20x70 | 3/4x2"1/2 | 4225 | 3,85 |

| DESIGNAZIONE PER ORDINE DESIGNATION FOR ORDER | Materiale / Material | |
|--|----------------------|-------------------|
| | ST52.3 | AISI 316L |
| Solo flangia Only flange | AFS...90S | AFX...90S |
| Flangia completa di viti metriche, grower e o-ring Flange complete of metric screws, grower type washers and o-ring | AFS...90SM | AFX...90SM |
| Flangia completa di viti unc, grower e o-ring Flange complete of unc screws, grower type washers and o-ring | AFS...90SU | AFX...90SU |

NOTE / NOTES

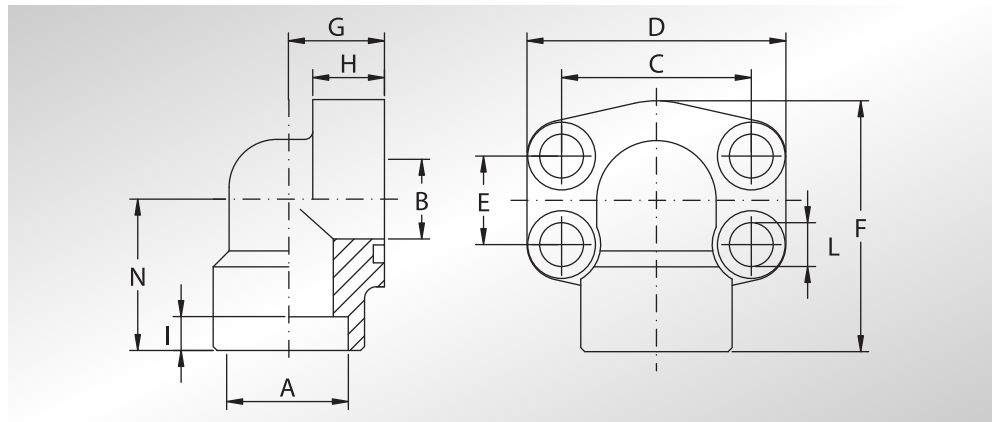
* Per viti unc L=13,5
* For unc screws L=13,5

set viti unc disponibili solo in acciaio al carbonio.
unc screws set available only in carbon steel.



**FLANGE A 90°
A SALDARE
DI TASCA
TUBO METRICO**

**METRIC PIPE
WELD IN
90° FLANGES**



| Pressione max di esercizio raccomandata Kg/cm ² | Grandezza | Tipo | Dimensioni | | | | | | | | | | Viti | | Or tipo | Peso Kg | |
|--|-----------|------|------------|---|---|---|---|---|---|---|---|---|--------|--------|---------|---------|-----------|
| | | | Dimensions | | | | | | | | | | Screws | | | | |
| Maximum recommended working pressure Kg/cm ² | Size | Type | A | B | C | D | E | F | G | H | I | L | N | Metric | Unc | Or type | Weight Kg |

SERIE 3000

| | | | | | | | | | | | | | | | | | |
|-----|-------|--------------|------|----|-------|----|-------|----|----|----|----|------|----|--------|------------|------|------|
| 345 | 1/2" | AFS08090SA20 | 20,3 | 13 | 38,10 | 54 | 17,48 | 60 | 20 | 16 | 10 | 9 | 37 | M8x30 | 5/16x1"1/4 | 4075 | 0,28 |
| 345 | 3/4" | AFS10090SA25 | 25,3 | 19 | 47,63 | 65 | 22,23 | 63 | 24 | 18 | 10 | 11 | 38 | M10x35 | 3/8x1"1/2 | 4100 | 0,45 |
| 345 | 1" | AFS10290SA30 | 30,3 | 25 | 52,37 | 70 | 26,19 | 70 | 28 | 19 | 12 | 11 | 43 | M10x35 | 3/8x1"1/2 | 4131 | 0,56 |
| 276 | 1"1/4 | AFS10490SA38 | 38,3 | 32 | 58,72 | 79 | 30,18 | 85 | 34 | 21 | 14 | 11,5 | 51 | M10x40 | 7/16x1"3/4 | 4150 | 0,89 |
| 207 | 1"1/2 | AFS10690SA50 | 50,5 | 38 | 69,85 | 93 | 35,71 | 95 | 38 | 25 | 16 | 13,5 | 56 | M12x45 | 1/2x1"3/4 | 4187 | 1,18 |

SERIE 6000

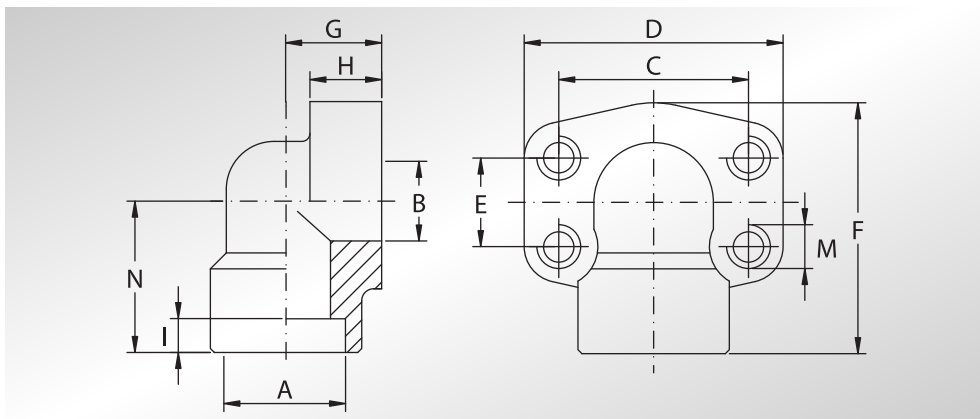
| | | | | | | | | | | | | | | | | | |
|-----|-------|--------------|------|----|-------|-----|-------|-----|----|----|----|------|----|--------|------------|------|------|
| 414 | 1/2" | AFS40190SA20 | 20,3 | 13 | 40,49 | 54 | 18,24 | 60 | 20 | 16 | 10 | 9 | 37 | M8x30 | 5/16x1"1/4 | 4075 | 0,28 |
| 414 | 3/4" | AFS40290SA25 | 25,3 | 19 | 50,80 | 70 | 23,80 | 70 | 28 | 19 | 12 | 11 | 43 | M10x40 | 3/8x1"1/2 | 4100 | 0,69 |
| 414 | 1" | AFS40390SA30 | 30,3 | 25 | 57,15 | 79 | 27,76 | 85 | 34 | 21 | 14 | 13 | 51 | M12x45 | 7/16x1"3/4 | 4131 | 1,11 |
| 414 | 1"1/4 | AFS40490SA38 | 38,3 | 32 | 66,68 | 93 | 31,75 | 95 | 38 | 25 | 16 | 15 * | 56 | M14x45 | 1/2x1"3/4 | 4150 | 1,45 |
| 414 | 1"1/2 | AFS40590SA50 | 50,5 | 38 | 79,38 | 110 | 36,50 | 110 | 42 | 25 | 18 | 17 | 65 | M16x50 | 5/8x2" | 4187 | 2,75 |

| DESIGNAZIONE PER ORDINE DESIGNATION FOR ORDER | Materiale / Material | |
|--|-----------------------|-----------------------|
| | ST52.3 | AISI 316L |
| Solo flangia Only flange | AFS...90SA | AFX...90SA |
| Flangia completa di viti metriche, grower e o-ring Flange complete of metric screws, grower type washers and o-ring | AFS...90SA...M | AFX...90SA...M |
| Flangia completa di viti unc, grower e o-ring Flange complete of unc screws, grower type washers and o-ring | AFS...90SA...U | AFX...90SA...U |

NOTE / NOTES

* Per viti unc L=13,5
* For unc screws L=13,5

set viti unc disponibili solo in acciaio al carbonio.
unc screws set available only in carbon steel.



**CONTROFLANGE
A 90° A SALDARE
DI TASCA**



**WELD IN 90°
COUNTER-FLANGES**

| Pressione max di esercizio raccomandata Kg/cm ² | Grandezza | Tipo | Dimensioni | | | | | | | | | | | Peso Kg |
|--|-----------|--------------|-------------------|----|-------|-----|-------|-----|----|----|----|-----|----|-----------|
| | | | Dimensions | | | | | | | | | | | |
| Maximum recommended working pressure Kg/cm ² | Size | Type | A | B | C | D | E | F | G | H | I | M | N | Weight Kg |
| | | | SERIE 3000 | | | | | | | | | | | |
| 345 | 1/2" | GFS08090S | 21,6 | 13 | 38,10 | 54 | 17,48 | 60 | 20 | 16 | 10 | M8 | 37 | 0,28 |
| 345 | 1/2" | GFS08090S038 | 17,5 | 13 | 38,10 | 54 | 17,48 | 60 | 20 | 16 | 10 | M8 | 37 | 0,29 |
| 345 | 3/4" | GFS10090S | 27,2 | 19 | 47,63 | 65 | 22,23 | 63 | 24 | 18 | 10 | M10 | 38 | 0,45 |
| 345 | 1" | GFS10290S | 34,0 | 25 | 52,37 | 70 | 26,19 | 70 | 28 | 19 | 12 | M10 | 43 | 0,56 |
| 276 | 1"1/4 | GFS10490S | 42,8 | 32 | 58,72 | 79 | 30,18 | 85 | 34 | 21 | 14 | M10 | 51 | 0,89 |
| 207 | 1"1/2 | GFS10690S | 48,6 | 38 | 69,85 | 93 | 35,71 | 95 | 38 | 25 | 16 | M12 | 56 | 1,18 |
| 207 | 2" | GFS10890S | 61,0 | 51 | 77,77 | 110 | 42,88 | 110 | 42 | 25 | 18 | M12 | 65 | 2,06 |
| SERIE 6000 | | | | | | | | | | | | | | |
| 414 | 1/2" | GFS40190S012 | 21,6 | 13 | 40,49 | 54 | 18,24 | 60 | 20 | 16 | 10 | M8 | 37 | 0,28 |
| 414 | 1/2" | GFS40190S038 | 17,5 | 13 | 40,49 | 54 | 18,24 | 60 | 20 | 16 | 10 | M8 | 37 | 0,29 |
| 414 | 3/4" | GFS40290S | 27,2 | 19 | 50,80 | 70 | 23,80 | 70 | 28 | 19 | 12 | M10 | 43 | 0,69 |
| 414 | 1" | GFS40390S | 34,0 | 25 | 57,15 | 79 | 27,76 | 85 | 34 | 21 | 14 | M12 | 51 | 1,11 |
| 414 | 1"1/4 | GFS40490S | 42,8 | 32 | 66,68 | 93 | 31,75 | 95 | 38 | 25 | 16 | M14 | 56 | 1,45 |
| 414 | 1"1/2 | GFS40590S | 48,6 | 38 | 79,38 | 110 | 36,50 | 110 | 42 | 25 | 18 | M16 | 65 | 2,75 |
| 414 | 2" | GFS40690S | 61,0 | 51 | 96,82 | 134 | 44,45 | 132 | 45 | 35 | 25 | M20 | 75 | 3,85 |

**DESIGNAZIONE PER ORDINE
DESIGNATION FOR ORDER**

Controflangia con fori di fissaggio filettati metrici
Counter-flange with metric threaded fixing holes

Materiale / Material

ST52.3 AISI 316L

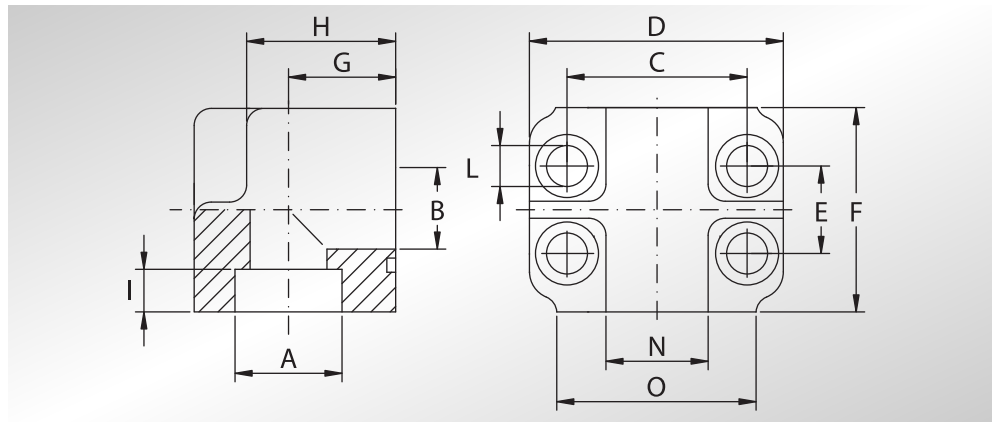
GFS...90S GFX...90S

NOTE / NOTES



FLANGE A 90° A SALDARE DI TASCA

WELD IN 90° FLANGES



| Pressione max di esercizio raccomandata Kg/cm ² | Grandezza | Tipo | Dimensioni | | | | | | | | | | | Viti | Or tipo | Peso Kg | |
|--|-----------|------|------------|---|---|---|---|---|---|---|---|---|---|------|---------|---------|--------|
| | | | Dimensions | | | | | | | | | | | | | | Screws |
| Maximum recommended working pressure Kg/cm ² | Size | Type | A | B | C | D | E | F | G | H | I | L | N | O | Metric | | |

SERIE 3000

| | | | | | | | | | | | | | | | | | |
|-----|-------|-------------|------|----|-------|-----|-------|-----|----|----|----|------|----|----|--------|------|------|
| 345 | 3/4" | AFS20090S | 27,2 | 19 | 47,63 | 66 | 22,23 | 46 | 19 | 27 | 5 | 11 | 28 | 48 | M10x45 | 4100 | 0,52 |
| 345 | 1" | AFS20290S | 34,0 | 25 | 52,37 | 71 | 26,19 | 55 | 22 | 34 | 6 | 11 | 32 | 50 | M10x50 | 4131 | 0,87 |
| 276 | 1"1/4 | AFS20490S | 42,8 | 32 | 58,72 | 81 | 30,18 | 65 | 27 | 42 | 7 | 11,5 | 35 | 60 | M10x60 | 4150 | 1,35 |
| 207 | 1"1/2 | AFS20690S | 48,6 | 38 | 69,85 | 95 | 35,71 | 75 | 32 | 50 | 8 | 13,5 | 42 | 70 | M12x70 | 4187 | 2,15 |
| 207 | 2" | AFS20890S | 61,0 | 51 | 77,77 | 112 | 42,88 | 90 | 40 | 63 | 10 | 13,5 | 50 | 80 | M12x80 | 4225 | 3,70 |
| 172 | 2"1/2 | AFS21090S * | 76,6 | 63 | 88,90 | 120 | 50,80 | 120 | 53 | 99 | 15 | 13,5 | - | - | - | 4275 | 8,20 |

SERIE 6000

| | | | | | | | | | | | | | | | | | |
|-----|-------|-----------|------|----|-------|-----|-------|----|----|----|----|----|----|----|--------|------|------|
| 414 | 3/4" | AFS70090S | 27,2 | 19 | 50,80 | 71 | 23,80 | 55 | 22 | 34 | 6 | 11 | 32 | 50 | M10x50 | 4100 | 0,97 |
| 414 | 1" | AFS70290S | 34,0 | 25 | 57,15 | 81 | 27,76 | 65 | 27 | 42 | 7 | 13 | 35 | 60 | M12x60 | 4131 | 1,50 |
| 414 | 1"1/4 | AFS70490S | 42,8 | 32 | 66,68 | 95 | 31,75 | 75 | 32 | 50 | 8 | 15 | 42 | 70 | M14x70 | 4150 | 2,29 |
| 414 | 1"1/2 | AFS70690S | 48,6 | 38 | 79,38 | 112 | 36,50 | 90 | 40 | 63 | 10 | 17 | 50 | 80 | M16x90 | 4187 | 4,08 |

| DESIGNAZIONE PER ORDINE DESIGNATION FOR ORDER | Materiale / Material ST52.3 |
|--|--------------------------------|
| Solo flangia Only flange | AFS...90S |
| Flangia completa di viti metriche, grower e o-ring Flange complete of metric screws, grower type washers and o-ring | AFS...90SM |

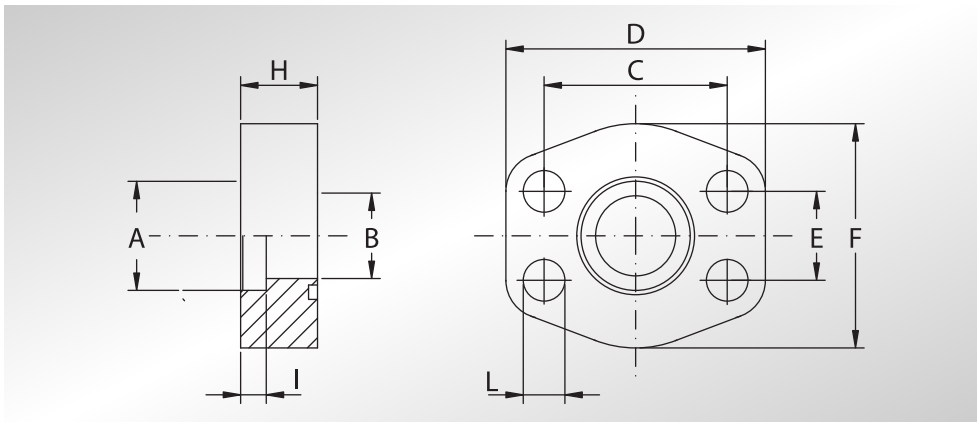
NOTE / NOTES

- * Ricavata da barra
- * Obtained from bar

**FLANGE PIATTE
A SALDARE
DI TASCA**



**WELD IN FLAT
FLANGES**



| Pressione max di esercizio raccomandata Kg/cm ² | Grandezza | Tipo | Dimensioni | | | | | | | | | Viti | Or tipo | Peso Kg |
|--|-----------|------|------------|---|---|---|---|---|---|---|---|--------|---------|-----------|
| Maximum recommended working pressure Kg/cm ² | Size | Type | Dimensions | | | | | | | | | Screws | Or type | Weight Kg |
| | | | A | B | C | D | E | F | H | I | L | Metric | | |

SERIE 3000

| | | | | | | | | | | | | | | |
|----|-------|---------|-------|-----|--------|-----|-------|-----|----|---|------|--------|------|------|
| 40 | 1/2" | AFC080S | 22,5 | 15 | 38,10 | 56 | 17,48 | 46 | 14 | 3 | 9 | M8x25 | 4075 | 0,12 |
| 40 | 3/4" | AFC100S | 28,5 | 20 | 47,63 | 65 | 22,23 | 50 | 12 | 4 | 11 | M10x30 | 4100 | 0,20 |
| 40 | 1" | AFC102S | 35,5 | 29 | 52,37 | 70 | 26,19 | 55 | 12 | 4 | 11 | M10x30 | 4131 | 0,25 |
| 40 | 1"1/4 | AFC104S | 42,5 | 34 | 58,72 | 79 | 30,18 | 68 | 12 | 4 | 11,5 | M10x30 | 4150 | 0,28 |
| 40 | 1"1/2 | AFC106S | 49,0 | 42 | 69,85 | 93 | 35,71 | 78 | 15 | 4 | 13,5 | M12x35 | 4187 | 0,50 |
| 40 | 2" | AFC108S | 61,0 | 53 | 77,77 | 102 | 42,88 | 90 | 15 | 4 | 13,5 | M12x35 | 4225 | 0,59 |
| 40 | 2"1/2 | AFC110S | 77,0 | 64 | 88,90 | 114 | 50,80 | 105 | 15 | 4 | 13,5 | M12x35 | 4275 | 0,72 |
| 40 | 3" | AFC112S | 90,0 | 80 | 106,38 | 134 | 61,93 | 124 | 20 | 5 | 17,5 | M16x50 | 4337 | 1,25 |
| 40 | 3"1/2 | AFC114S | 103,0 | 93 | 120,65 | 152 | 69,85 | 136 | 20 | 5 | 17,5 | M16x50 | 4387 | 1,50 |
| 40 | 4" | AFC116S | 116,0 | 105 | 130,18 | 162 | 77,77 | 146 | 25 | 6 | 17,5 | M16x50 | 4437 | 2,15 |
| 40 | 5" | AFC118S | 141,0 | 126 | 152,40 | 190 | 92,08 | 170 | 28 | 8 | 17,5 | M16x50 | 4537 | 3,00 |

**DESIGNAZIONE PER ORDINE
DESIGNATION FOR ORDER**

Solo flangia
Only flange

Flangia completa di viti metriche, grower e o-ring
Flange complete of metric screws, grower type washers and o-ring

Materiale / Material

ST52.3 **AISI 316L**

AFC...S **AFCX...S**

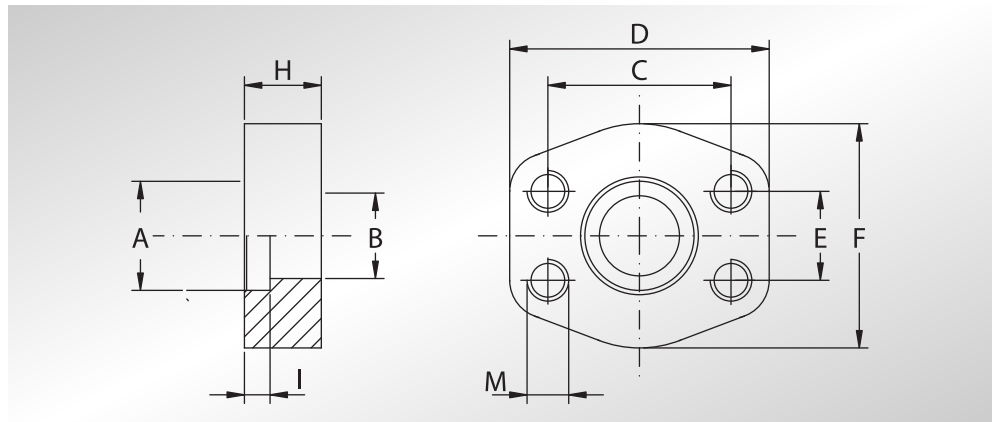
AFC...SM **AFCX...SM**

NOTE / NOTES



CONTROFLANGE PIATTE A SALDARE DI TASCA

WELD IN FLAT COUNTER-FLANGES



| Pressione max di esercizio raccomandata Kg/cm ² | Grandezza | Tipo | Dimensioni | | | | | | | | | | Peso Kg | |
|--|-----------|---------|-------------------|-----|--------|-----|-------|-----|----|---|-----|--------|---------|-----------|
| | | | Dimensions | | | | | | | | | | | |
| Maximum recommended working pressure Kg/cm ² | Size | Type | A | B | C | D | E | F | H | I | M | Metric | Unc | Weight Kg |
| | | | SERIE 3000 | | | | | | | | | | | |
| 40 | 1/2" | GFC080S | 22,5 | 15 | 38,10 | 56 | 17,48 | 46 | 14 | 3 | M8 | 5/16 | 0,12 | |
| 40 | 3/4" | GFC100S | 28,5 | 20 | 47,63 | 65 | 22,23 | 50 | 12 | 4 | M10 | 3/8 | 0,20 | |
| 40 | 1" | GFC102S | 35,5 | 29 | 52,37 | 70 | 26,19 | 55 | 12 | 4 | M10 | 3/8 | 0,25 | |
| 40 | 1"1/4 | GFC104S | 42,5 | 34 | 58,72 | 79 | 30,18 | 68 | 12 | 4 | M10 | 7/16 | 0,28 | |
| 40 | 1"1/2 | GFC106S | 49,0 | 42 | 69,85 | 93 | 35,71 | 78 | 15 | 4 | M12 | 1/2 | 0,50 | |
| 40 | 2" | GFC108S | 61,0 | 53 | 77,77 | 102 | 42,88 | 90 | 15 | 4 | M12 | 1/2 | 0,59 | |
| 40 | 2"1/2 | GFC110S | 77,0 | 64 | 88,90 | 114 | 50,80 | 105 | 15 | 4 | M12 | 1/2 | 0,72 | |
| 40 | 3" | GFC112S | 90,0 | 80 | 106,38 | 134 | 61,93 | 124 | 20 | 5 | M16 | 5/8 | 1,25 | |
| 40 | 3"1/2 | GFC114S | 103,0 | 93 | 120,65 | 152 | 69,85 | 136 | 20 | 5 | M16 | 5/8 | 1,50 | |
| 40 | 4" | GFC116S | 116,0 | 105 | 130,18 | 162 | 77,77 | 146 | 25 | 6 | M16 | 5/8 | 2,15 | |
| 40 | 5" | GFC118S | 141,0 | 126 | 152,40 | 190 | 92,08 | 170 | 28 | 8 | M16 | 5/8 | 3,00 | |

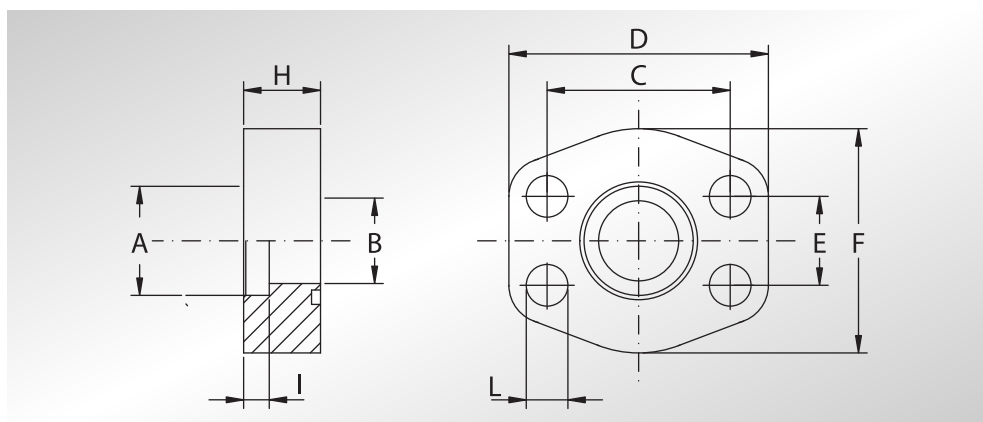
| DESIGNAZIONE PER ORDINE DESIGNATION FOR ORDER | Materiale / Material | |
|---|----------------------|------------------|
| | ST52.3 | AISI 316L |
| Controflangia con fori di fissaggio filettati metrici Counter-flange with metric threaded fixing holes | GFC...S | GFCX...S |
| Controflangia con fori di fissaggio filettati unc Counter-flange with unc threaded fixing holes | GFC...SU | GFCX...SU |

NOTE / NOTES

**FLANGE PIATTE
A SALDARE
DI TASCA**



**WELD IN FLAT
FLANGES**



| Pressione max di esercizio raccomandata Kg/cm ² | Grandezza | Tipo | Dimensioni | | | | | | | | | Viti | Or tipo | Peso Kg |
|--|-----------|------|------------|---|---|---|---|---|---|---|---|--------|---------|-----------|
| Maximum recommended working pressure Kg/cm ² | Size | Type | Dimensions | | | | | | | | | Screws | Or type | Weight Kg |
| | | | A | B | C | D | E | F | H | I | L | Metric | | |

SERIE 3000

| | | | | | | | | | | | | | | |
|----|-------|--------|------|----|-------|-----|-------|----|------|---|------|--------|------|------|
| 40 | 1/2" | PFS080 | 21,5 | 14 | 38,10 | 56 | 17,48 | 46 | 14 | 3 | 9 | M8x25 | 4075 | 0,12 |
| 40 | 3/4" | PFS100 | 27,2 | 19 | 47,63 | 65 | 22,23 | 50 | 12,5 | 3 | 11 | M10x30 | 4100 | 0,20 |
| 40 | 1" | PFS102 | 34,0 | 25 | 52,37 | 70 | 26,19 | 55 | 12,5 | 3 | 11 | M10x30 | 4131 | 0,25 |
| 40 | 1"1/4 | PFS104 | 42,8 | 32 | 58,72 | 79 | 30,18 | 68 | 12,5 | 3 | 11,5 | M10x30 | 4150 | 0,28 |
| 40 | 1"1/2 | PFS106 | 48,6 | 38 | 69,85 | 93 | 35,71 | 78 | 15 | 3 | 13,5 | M12x35 | 4187 | 0,50 |
| 40 | 1"1/2 | PFS108 | 61,0 | 51 | 77,77 | 102 | 42,88 | 90 | 15 | 5 | 13,5 | M12x35 | 4225 | 0,50 |

**DESIGNAZIONE PER ORDINE
DESIGNATION FOR ORDER**

Materiale / Material

NOTE / NOTES

Solo flangia
Only flange

PFS...

PFX...

Flangia completa di viti metriche, grower e o-ring
Flange complete of metric screws, grower type washers and o-ring

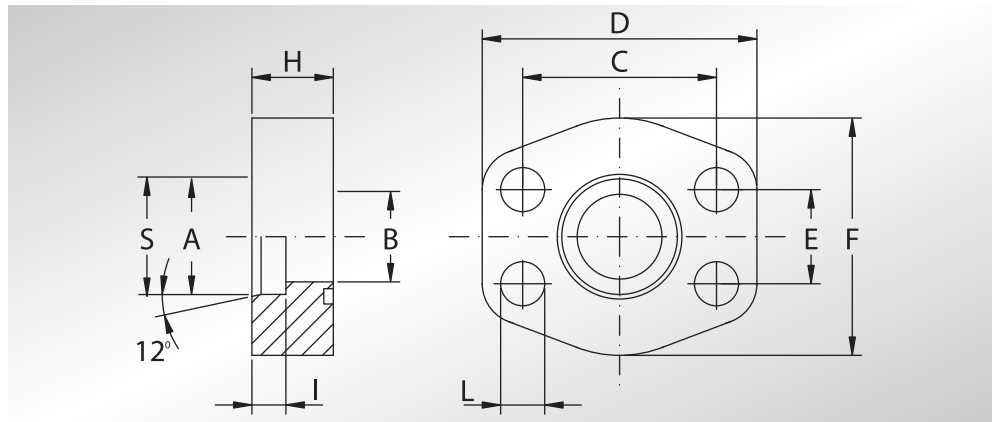
PFS...M

PFX...M



FLANGE PIATTE CON TASCA

POCKET FLAT FLANGES



| Pressione max di esercizio raccomandata Kg/cm ² | Grandezza | Tipo | Dimensioni | | | | | | | | | | Peso Kg |
|--|-----------|------|------------|---|---|---|---|---|---|---|---|---|-----------|
| Maximum recommended working pressure Kg/cm ² | Size | Type | Dimensions | | | | | | | | | | Weight Kg |
| | | | A | B | C | D | E | F | H | I | L | S | |

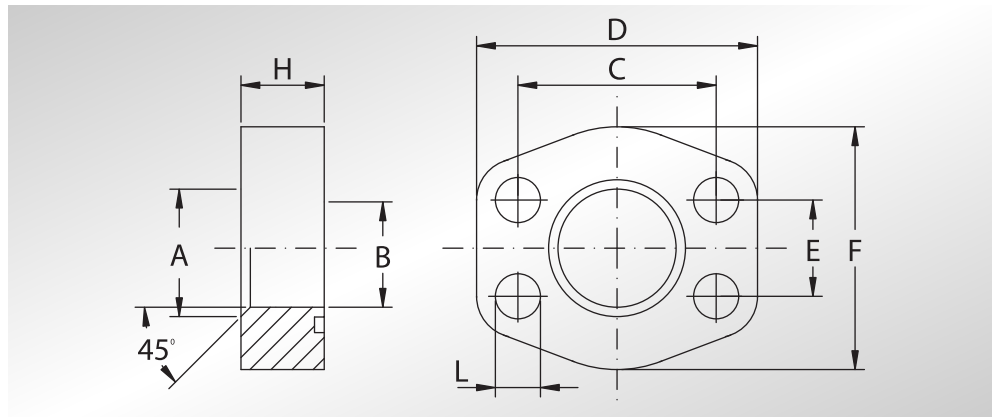
SERIE 6000

| | | | | | | | | | | | | | |
|-----|-------|------------|----|----|-------|----|-------|----|----|------|----|------|------|
| 414 | 1/2" | PFS401SP17 | 17 | 14 | 40,49 | 56 | 18,24 | 48 | 14 | 9 | 9 | 19,5 | 0,20 |
| 414 | 1/2" | PFS401SP22 | 22 | 16 | 40,49 | 56 | 18,24 | 48 | 14 | 9 | 9 | 24,0 | 0,20 |
| 414 | 3/4" | PFS402SP | 27 | 20 | 50,80 | 71 | 23,80 | 60 | 18 | 9 | 11 | 29,5 | 0,40 |
| 414 | 1" | PFS403SP | 34 | 26 | 57,15 | 81 | 27,76 | 70 | 22 | 13 | 14 | 36,0 | 0,80 |
| 414 | 1"1/4 | PFS404SP | 43 | 32 | 66,68 | 95 | 31,75 | 78 | 25 | 15,5 | 16 | 46,0 | 1,00 |



FLANGE PIATTE CON FORO PASSANTE

FLAT FLANGES WITH THROUGH HOLE



| Pressione max di esercizio raccomandata Kg/cm ² | Grandezza | Tipo | Dimensioni | | | | | | | | | | Peso Kg |
|--|-----------|------|------------|---|---|---|---|---|---|---|--|--|-----------|
| Maximum recommended working pressure Kg/cm ² | Size | Type | Dimensions | | | | | | | | | | Weight Kg |
| | | | A | B | C | D | E | F | H | L | | | |

SERIE 6000

| | | | | | | | | | | | | |
|-----|-------|-----------|----|------|-------|----|-------|----|----|----|--|------|
| 414 | 1/2" | PFS401P20 | 22 | 20,5 | 40,49 | 56 | 18,24 | 48 | 14 | 9 | | 0,20 |
| 414 | 1/2" | PFS401P24 | 27 | 24 | 40,49 | 56 | 18,24 | 48 | 14 | 9 | | 0,20 |
| 414 | 3/4" | PFS402P | 32 | 28,5 | 50,80 | 71 | 23,80 | 60 | 18 | 11 | | 0,40 |
| 414 | 1" | PFS403P | 43 | 37,5 | 57,15 | 81 | 27,76 | 70 | 22 | 14 | | 0,80 |
| 414 | 1"1/4 | PFS404P | 49 | 44 | 66,68 | 95 | 31,75 | 78 | 25 | 16 | | 1,00 |

DESIGNAZIONE PER ORDINE DESIGNATION FOR ORDER

Solo flangia
Only flange

Materiale / Material

ST52.3 AISI 316L

PFS...

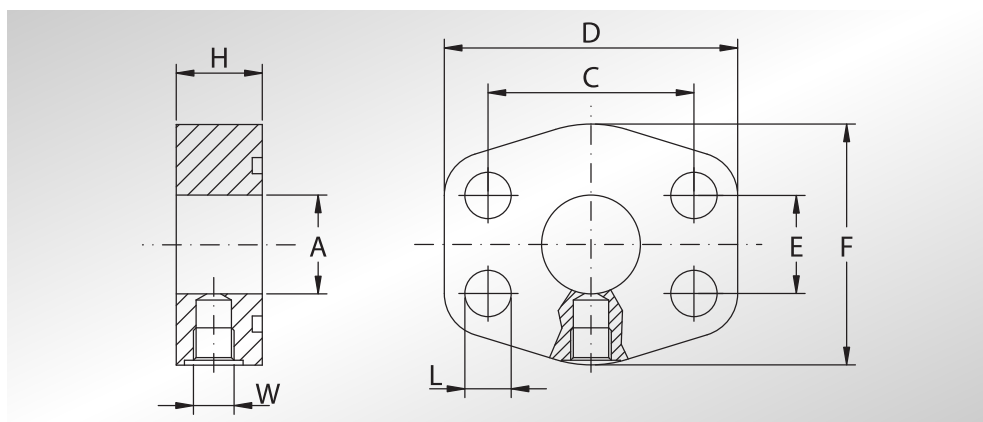
PFX...

NOTE / NOTES

**DISTANZIALE SAE
CON FORO
LATERALE**



**SAE DISTANCE
PIECE WITH
LATERAL HOLE**



| Pressione max di esercizio raccomandata Kg/cm ² | Grandezza | Tipo | Dimensioni | | | | | | | | Or tipo | Peso Kg |
|--|-----------|------|------------|---|---|---|---|---|---|---|---------|-----------|
| Maximum recommended working pressure Kg/cm ² | Size | Type | Dimensions | | | | | | | | Or type | Weight Kg |
| | | | A | C | D | E | F | H | L | W | | |

SERIE 3000

| | | | | | | | | | | | | |
|-----|-------|------|------|--------|-----|-------|-----|----|------|-------------------------|------|------|
| 345 | 1" | D102 | 25,0 | 52,37 | 71 | 26,19 | 60 | 19 | 11 | M10 - G1/8 | 4131 | 0,35 |
| 276 | 1"1/4 | D104 | 32 | 58,72 | 81 | 30,18 | 68 | 20 | 11,5 | M10 - M12 - G1/8 - G1/4 | 4150 | 0,45 |
| 207 | 1"1/2 | D106 | 38 | 69,85 | 95 | 35,71 | 78 | 25 | 13,5 | M10 - M12 - G1/8 - G1/4 | 4187 | 0,69 |
| 207 | 2" | D108 | 51 | 77,77 | 102 | 42,88 | 90 | 19 | 13,5 | M10 - G1/8 | 4225 | 0,78 |
| 172 | 2"1/2 | D110 | 63 | 88,90 | 114 | 50,80 | 105 | 19 | 13,5 | M10 - G1/8 | 4275 | 0,94 |
| 138 | 3" | D112 | 73 | 106,38 | 134 | 61,93 | 124 | 23 | 17,5 | M10 - M12 - G1/8 - G1/4 | 4337 | 1,63 |

SERIE 6000

| | | | | | | | | | | | | |
|-----|-------|------|----|-------|-----|-------|-----|----|------|-------------------------|------|------|
| 414 | 3/4" | D402 | 19 | 50,80 | 71 | 23,80 | 60 | 19 | 11 | M10 - G1/8 | 4100 | 0,40 |
| 414 | 1" | D403 | 25 | 57,15 | 81 | 27,76 | 70 | 22 | 13 | M10 - M12 - G1/8 - G1/4 | 4131 | 0,70 |
| 414 | 1"1/4 | D404 | 32 | 66,68 | 95 | 31,75 | 78 | 25 | 15 * | M10 - M12 - G1/8 - G1/4 | 4150 | 1,00 |
| 414 | 1"1/2 | D405 | 38 | 79,38 | 112 | 36,50 | 94 | 28 | 17 | M10 - M12 - G1/8 - G1/4 | 4187 | 1,55 |
| 414 | 2" | D406 | 51 | 96,82 | 134 | 44,45 | 114 | 28 | 21 | M10 - M12 - G1/8 - G1/4 | 4225 | 2,57 |

**DESIGNAZIONE PER ORDINE
DESIGNATION FOR ORDER**

Distanziale con foro metrico
Distance piece with metric hole

Distanziale con foro gas
Distance piece with BSP hole

Materiale / Material

ST52.3 **AISI 316L**

D...M... **DX...M...**

D...G... **DX...G...**

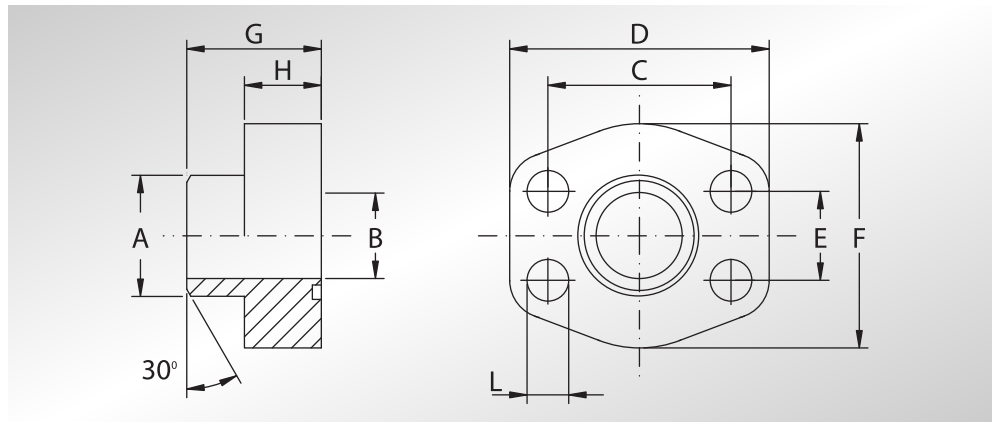
NOTE / NOTES

* Per viti unc L=13,5
* For unc screws L=13,5



FLANGE A SALDARE DI TESTA SCH.80

WELD ON FLANGES SCH.80



| Pressione max di esercizio raccomandata Kg/cm ² | Grandezza | Tipo | Dimensioni | | | | | | | | | Viti | | Or tipo | Peso Kg |
|--|-----------|------|------------|---|---|---|---|---|---|---|---|--------|-----|---------|-----------|
| Maximum recommended working pressure Kg/cm ² | Size | Type | Dimensions | | | | | | | | | Screws | | Or type | Weight Kg |
| | | | A | B | C | D | E | F | G | H | L | Metric | Unc | | |

SERIE 3000

| | | | | | | | | | | | | | | | |
|-----|-------|--------------|-------|-----|--------|-----|-------|-----|----|----|------|--------|------------|------|------|
| 345 | 1/2" | AFS080ST | 21,5 | 13 | 38,10 | 57 | 17,48 | 46 | 36 | 16 | 9 | M8x30 | 5/16x1"1/4 | 4075 | 0,24 |
| 345 | 1/2" | AFS080ST038 | 17,5 | 13 | 38,10 | 57 | 17,48 | 46 | 36 | 16 | 9 | M8x30 | 5/16x1"1/4 | 4075 | 0,22 |
| 345 | 3/4" | AFS100ST | 28,0 | 19 | 47,63 | 65 | 22,23 | 50 | 36 | 18 | 11 | M10x35 | 3/8x1"1/2 | 4100 | 0,35 |
| 345 | 1" | AFS102ST | 34,0 | 25 | 52,37 | 70 | 26,19 | 55 | 38 | 18 | 11 | M10x35 | 3/8x1"1/2 | 4131 | 0,41 |
| 276 | 1"1/4 | AFS104ST | 42,8 | 32 | 58,72 | 79 | 30,18 | 68 | 41 | 21 | 11,5 | M10x40 | 7/16x1"3/4 | 4150 | 0,64 |
| 207 | 1"1/2 | AFS106ST | 48,6 | 38 | 69,85 | 93 | 35,71 | 78 | 44 | 25 | 13,5 | M12x45 | 1/2x1"3/4 | 4187 | 0,98 |
| 207 | 2" | AFS108ST | 61,0 | 51 | 77,77 | 102 | 42,88 | 90 | 45 | 25 | 13,5 | M12x45 | 1/2x1"3/4 | 4225 | 1,14 |
| 172 | 2"1/2 | AFS110ST | 77,0 | 63 | 88,90 | 114 | 50,80 | 105 | 50 | 25 | 13,5 | M12x45 | 1/2x1"3/4 | 4275 | 1,55 |
| 138 | 3" | AFS112ST | 92,0 | 73 | 106,38 | 134 | 61,93 | 124 | 50 | 27 | 17,5 | M16x50 | 5/8x2" | 4337 | 2,33 |
| 34 | 3"1/2 | AFS114ST | 103,0 | 89 | 120,65 | 152 | 69,85 | 136 | 48 | 27 | 17,5 | M16x50 | 5/8x2" | 4387 | 2,40 |
| 34 | 4" | AFS116ST | 115,5 | 99 | 130,18 | 162 | 77,77 | 146 | 48 | 27 | 17,5 | M16x50 | 5/8x2" | 4437 | 2,85 |
| 34 | 5" | AFS118ST (•) | 142,0 | 120 | 152,40 | 184 | 92,08 | 180 | 50 | 28 | 17,5 | M16x50 | 5/8x2" | 4537 | 5,20 |

SERIE 6000

| | | | | | | | | | | | | | | | |
|-----|-------|--------------|------|----|--------|-----|-------|-----|----|----|------|---------|------------|------|------|
| 414 | 1/2" | AFS401ST012 | 21,5 | 13 | 40,49 | 57 | 18,24 | 46 | 36 | 16 | 9 | M8x30 | 5/16x1"1/4 | 4075 | 0,24 |
| 414 | 1/2" | AFS401ST038 | 17,5 | 13 | 40,49 | 57 | 18,24 | 46 | 36 | 16 | 9 | M8x30 | 5/16x1"1/4 | 4075 | 0,22 |
| 414 | 3/4" | AFS402ST | 28,0 | 19 | 50,80 | 71 | 23,80 | 55 | 35 | 21 | 11 | M10x40 | 3/8x1"1/2 | 4100 | 0,48 |
| 414 | 1" | AFS403ST | 34,0 | 25 | 57,15 | 79 | 27,76 | 68 | 41 | 21 | 13 | M12x45 | 7/16x1"3/4 | 4131 | 0,64 |
| 375 | 1"1/4 | AFS404ST | 42,8 | 32 | 66,68 | 93 | 31,75 | 78 | 44 | 25 | 15 * | M14x45 | 1/2x1"3/4 | 4150 | 1,00 |
| 320 | 1"1/2 | AFS405ST | 48,6 | 38 | 79,38 | 112 | 36,50 | 94 | 55 | 30 | 17 | M16x50 | 5/8x2" | 4187 | 1,68 |
| 250 | 2" | AFS406ST | 61,0 | 51 | 96,82 | 134 | 44,45 | 114 | 65 | 37 | 21 | M20x70 | 3/4x2"1/2 | 4225 | 2,86 |
| 230 | 2"1/2 | AFS507ST (•) | 76,6 | 63 | 123,80 | 180 | 58,70 | 152 | 80 | 45 | 26 | M24x80 | - | 4275 | 6,40 |
| 200 | 3" | AFS508ST (•) | 90,0 | 73 | 152,40 | 208 | 71,40 | 178 | 90 | 55 | 33 | M30x100 | - | 4337 | - |

PER QUESTA TIPOLOGIA DI PRODOTTO, VERIFICATE SEMPRE SE LA QUOTA "A" E "B" CORRISPONDE ALLA SCHEDULA DEL VOSTRO TUBO

FOR THIS KIND OF PRODUCT, PLEASE ALWAYS VERIFY IF DIMENSION "A" AND "B" CORRESPOND TO THE SCHEDULE OF YOUR TUBE

| DESIGNAZIONE PER ORDINE DESIGNATION FOR ORDER | Materiale / Material | |
|--|----------------------|------------------|
| | ST52.3 | AISI 316L |
| Solo flangia Only flange | AFS...ST | AFX...ST |
| Flangia completa di viti metriche, grower e o-ring Flange complete of metric screws, grower type washers and o-ring | AFS...STM | AFX...STM |
| Flangia completa di viti unc, grower e o-ring Flange complete of unc screws, grower type washers and o-ring | AFS...STU | AFX...STU |

NOTE / NOTES

* Per viti unc L=13,5
* For unc screws L=13,5

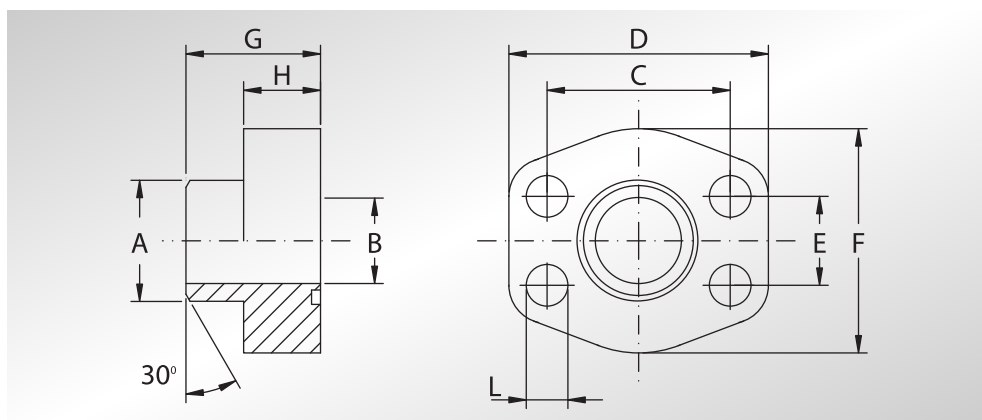
(•) Solo in ST52.3
(•) Only in ST52.3

set viti unc disponibili solo in acciaio al carbonio.
unc screws set available only in carbon steel.

FLANGE A SALDARE DI TESTA SCH.160



WELD ON FLANGES SCH.160



| Pressione max di esercizio raccomandata Kg/cm ² | Grandezza | Tipo | Dimensioni | | | | | | | | | Viti | | Or tipo | Peso Kg |
|--|-----------|------|------------|---|---|---|---|---|---|---|---|--------|-----|---------|-----------|
| Maximum recommended working pressure Kg/cm ² | Size | Type | Dimensions | | | | | | | | | Screws | | Or type | Weight Kg |
| | | | A | B | C | D | E | F | G | H | L | Metric | Unc | | |

SERIE 3000

| | | | | | | | | | | | | | | | |
|-----|-------|------------------|-------|-------|--------|-----|-------|-----|----|----|------|--------|------------|------|------|
| 345 | 1/2" | AFS080STB11 | 21,5 | 11,8 | 38,10 | 57 | 17,48 | 46 | 36 | 16 | 9 | M8x30 | 5/16x1"1/4 | 4075 | 0,24 |
| 345 | 3/4" | AFS100STB15 | 28,0 | 15,6 | 47,63 | 65 | 22,23 | 50 | 36 | 18 | 11 | M10x35 | 3/8x1"1/2 | 4100 | 0,35 |
| 345 | 1" | AFS102STB20 | 34,0 | 20,7 | 52,37 | 70 | 26,19 | 55 | 38 | 18 | 11 | M10x35 | 3/8x1"1/2 | 4131 | 0,41 |
| 276 | 1"1/4 | AFS104STB29 | 42,8 | 29,5 | 58,72 | 79 | 30,18 | 68 | 41 | 21 | 11,5 | M10x40 | 7/16x1"3/4 | 4150 | 0,64 |
| 207 | 1"1/2 | AFS106STB34 | 48,6 | 34 | 69,85 | 93 | 35,71 | 78 | 44 | 25 | 13,5 | M12x45 | 1/2x1"3/4 | 4187 | 0,98 |
| 207 | 2" | AFS108STB42 | 61,0 | 42,8 | 77,77 | 102 | 42,88 | 90 | 45 | 25 | 13,5 | M12x45 | 1/2x1"3/4 | 4225 | 1,14 |
| 172 | 2"1/2 | AFS110STB54 | 77,0 | 54 | 88,90 | 114 | 50,80 | 105 | 50 | 25 | 13,5 | M12x45 | 1/2x1"3/4 | 4275 | 1,55 |
| 138 | 3" | AFS112STB67 | 92,0 | 67,7 | 106,38 | 134 | 61,93 | 124 | 50 | 27 | 17,5 | M16x50 | 5/8x2" | 4337 | 2,33 |
| 138 | 4" | AFS116STB87 | 115,5 | 87,3 | 130,18 | 162 | 77,77 | 146 | 48 | 27 | 17,5 | M16x50 | 5/8x2" | 4437 | 2,85 |
| 138 | 5" | AFS118STB109 (•) | 142,0 | 109,5 | 152,40 | 184 | 92,08 | 180 | 50 | 28 | 17,5 | M16x50 | 5/8x2" | 4537 | 5,20 |

SERIE 6000

| | | | | | | | | | | | | | | | |
|-----|-------|-----------------|------|------|--------|-----|-------|-----|----|----|------|---------|------------|------|------|
| 414 | 1/2" | AFS401ST012B11 | 21,5 | 11,8 | 40,49 | 57 | 18,24 | 46 | 36 | 16 | 9 | M8x30 | 5/16x1"1/4 | 4075 | 0,24 |
| 414 | 3/4" | AFS402STB15 | 28,0 | 15,6 | 50,80 | 71 | 23,80 | 55 | 35 | 21 | 11 | M10x40 | 3/8x1"1/2 | 4100 | 0,48 |
| 414 | 1" | AFS403STB20 | 34,0 | 20,7 | 57,15 | 79 | 27,76 | 68 | 41 | 21 | 13 | M12x45 | 7/16x1"3/4 | 4131 | 0,64 |
| 414 | 1"1/4 | AFS404STB29 | 42,8 | 29,5 | 66,68 | 93 | 31,75 | 78 | 44 | 25 | 15 * | M14x45 | 1/2x1"3/4 | 4150 | 1,00 |
| 414 | 1"1/2 | AFS405STB34 | 48,6 | 34 | 79,38 | 112 | 36,50 | 94 | 50 | 28 | 17 | M16x50 | 5/8x2" | 4187 | 1,68 |
| 414 | 2" | AFS406STB42 | 61,0 | 42,8 | 96,82 | 134 | 44,45 | 114 | 65 | 37 | 21 | M20x70 | 3/4x2"1/2 | 4225 | 2,86 |
| 350 | 2"1/2 | AFS507STB54 (•) | 76,6 | 54 | 123,80 | 180 | 58,70 | 152 | 80 | 45 | 26 | M24x80 | — | 4275 | 6,40 |
| 350 | 3" | AFS508STB67 (•) | 90,0 | 67,7 | 152,40 | 208 | 71,40 | 178 | 90 | 55 | 33 | M30x100 | — | 4337 | — |

PER QUESTA TIPOLOGIA DI PRODOTTO, VERIFICATE SEMPRE SE LA QUOTA "A" E "B" CORRISPONDE ALLA SCHEDULA DEL VOSTRO TUBO

FOR THIS KIND OF PRODUCT, PLEASE ALWAYS VERIFY IF DIMENSION "A" AND "B" CORRESPOND TO THE SCHEDULE OF YOUR TUBE

| DESIGNAZIONE PER ORDINE DESIGNATION FOR ORDER | Materiale / Material | |
|--|----------------------|----------------------|
| | ST52.3 | AISI 316L |
| Solo flangia Only flange | AFS...STB | AFX...STB |
| Flangia completa di viti metriche, grower e o-ring Flange complete of metric screws, grower type washers and o-ring | AFS...STB...M | AFX...STB...M |
| Flangia completa di viti unc, grower e o-ring Flange complete of unc screws, grower type washers and o-ring | AFS...STB...U | AFX...STB...U |

NOTE / NOTES

* Per viti unc L=13,5
* For unc screws L=13,5

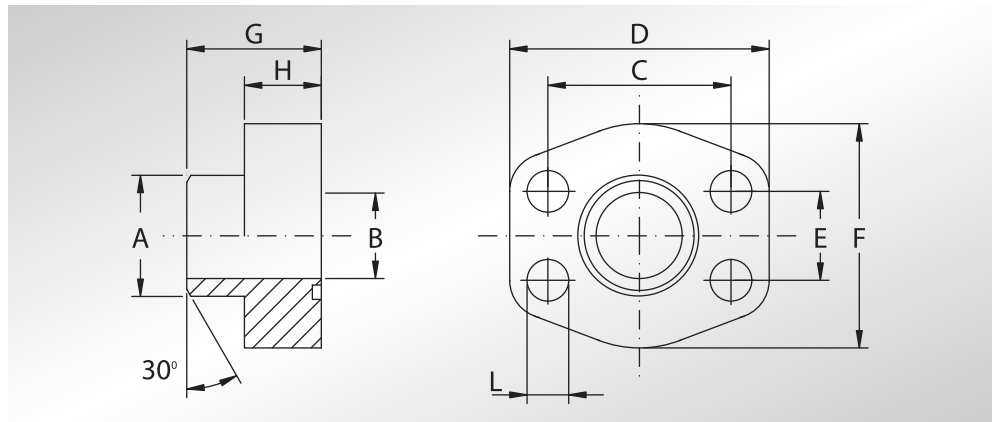
(•) Solo in ST52.3
(•) Only in ST52.3

set viti unc disponibili solo in acciaio al carbonio.
unc screws set available only in carbon steel.



FLANGE A SALDARE DI TESTA SCH.XXS

WELD ON FLANGES SCH.XXS



| Pressione max di esercizio raccomandata Kg/cm ² | Grandezza | Tipo | Dimensioni | | | | | | | | | Viti | | Or tipo | Peso Kg |
|--|-----------|------|------------|---|---|---|---|---|---|---|---|--------|-----|---------|-----------|
| Maximum recommended working pressure Kg/cm ² | Size | Type | Dimensions | | | | | | | | | Screws | | Or type | Weight Kg |
| | | | A | B | C | D | E | F | G | H | L | Metric | Unc | | |

SERIE 3000

| | | | | | | | | | | | | | | | |
|-----|-------|------------------|-------|-------|--------|-----|-------|-----|----|----|------|--------|------------|------|------|
| 345 | 1/2" | AFS080STB6 | 21,5 | 6,3 | 38,10 | 57 | 17,48 | 46 | 36 | 16 | 9 | M8x30 | 5/16x1"1/4 | 4075 | 0,24 |
| 345 | 3/4" | AFS100STB11 | 28,0 | 11,0 | 47,63 | 65 | 22,23 | 50 | 36 | 18 | 11 | M10x35 | 3/8x1"1/2 | 4100 | 0,35 |
| 345 | 1" | AFS102STB15 | 34,0 | 15,2 | 52,37 | 70 | 26,19 | 55 | 38 | 18 | 11 | M10x35 | 3/8x1"1/2 | 4131 | 0,41 |
| 276 | 1"1/4 | AFS104STB22 | 42,8 | 22,8 | 58,72 | 79 | 30,18 | 68 | 41 | 21 | 11,5 | M10x40 | 7/16x1"3/4 | 4150 | 0,64 |
| 207 | 1"1/2 | AFS106STB28 | 48,6 | 28,0 | 69,85 | 93 | 35,71 | 78 | 44 | 25 | 13,5 | M12x45 | 1/2x1"3/4 | 4187 | 0,98 |
| 207 | 2" | AFS108STB38 | 61,0 | 38,2 | 77,77 | 102 | 42,88 | 90 | 45 | 25 | 13,5 | M12x45 | 1/2x1"3/4 | 4225 | 1,14 |
| 172 | 2"1/2 | AFS110STB45 | 77,0 | 45,0 | 88,90 | 114 | 50,80 | 105 | 50 | 25 | 13,5 | M12x45 | 1/2x1"3/4 | 4275 | 1,55 |
| 138 | 3" | AFS112STB58 | 92,0 | 58,4 | 106,38 | 134 | 61,93 | 124 | 50 | 27 | 17,5 | M16x50 | 5/8x2" | 4337 | 2,33 |
| 138 | 4" | AFS116STB80 | 115,5 | 80,0 | 130,18 | 162 | 77,77 | 146 | 48 | 27 | 17,5 | M16x50 | 5/8x2" | 4437 | 2,85 |
| 138 | 5" | AFS118STB102 (•) | 142,0 | 102,9 | 152,40 | 184 | 92,08 | 180 | 50 | 28 | 17,5 | M16x50 | 5/8x2" | 4537 | 5,20 |

SERIE 6000

| | | | | | | | | | | | | | | | |
|-----|-------|-----------------|------|------|--------|-----|-------|-----|----|----|------|---------|------------|------|------|
| 414 | 1/2" | AFS401ST012B6 | 21,5 | 6,3 | 40,49 | 57 | 18,24 | 46 | 36 | 16 | 9 | M8x30 | 5/16x1"1/4 | 4075 | 0,24 |
| 414 | 3/4" | AFS402STB11 | 28,0 | 11,0 | 50,80 | 71 | 23,80 | 55 | 35 | 21 | 11 | M10x40 | 3/8x1"1/2 | 4100 | 0,48 |
| 414 | 1" | AFS403STB15 | 34,0 | 15,2 | 57,15 | 79 | 27,76 | 68 | 41 | 21 | 13 | M12x45 | 7/16x1"3/4 | 4131 | 0,64 |
| 414 | 1"1/4 | AFS404STB22 | 42,8 | 22,8 | 66,68 | 93 | 31,75 | 78 | 44 | 25 | 15 * | M14x45 | 1/2x1"3/4 | 4150 | 1,00 |
| 414 | 1"1/2 | AFS405STB28 | 48,6 | 28,0 | 79,38 | 112 | 36,50 | 94 | 50 | 28 | 17 | M16x50 | 5/8x2" | 4187 | 1,68 |
| 414 | 2" | AFS406STB38 | 61,0 | 38,2 | 96,82 | 134 | 44,45 | 114 | 65 | 37 | 21 | M20x70 | 3/4x2"1/2 | 4225 | 2,86 |
| 414 | 2"1/2 | AFS507STB45 (•) | 76,6 | 45,0 | 123,80 | 180 | 58,70 | 152 | 80 | 45 | 26 | M24x80 | - | 4275 | 6,40 |
| 414 | 3" | AFS508STB58 (•) | 90,0 | 58,4 | 152,40 | 208 | 71,40 | 178 | 90 | 55 | 33 | M30x100 | - | 4337 | - |

PER QUESTA TIPOLOGIA DI PRODOTTO, VERIFICATE SEMPRE SE LA QUOTA "A" E "B" CORRISPONDE ALLA SCHEDULA DEL VOSTRO TUBO

FOR THIS KIND OF PRODUCT, PLEASE ALWAYS VERIFY IF DIMENSION "A" AND "B" CORRESPOND TO THE SCHEDULE OF YOUR TUBE

| DESIGNAZIONE PER ORDINE DESIGNATION FOR ORDER | Materiale / Material | |
|--|----------------------|----------------------|
| | ST52.3 | AISI 316L |
| Solo flangia Only flange | AFS...STB | AFX...STB |
| Flangia completa di viti metriche, grower e o-ring Flange complete of metric screws, grower type washers and o-ring | AFS...STB...M | AFX...STB...M |
| Flangia completa di viti unc, grower e o-ring Flange complete of unc screws, grower type washers and o-ring | AFS...STB...U | AFX...STB...U |

NOTE / NOTES

* Per viti unc L=13,5
* For unc screws L=13,5

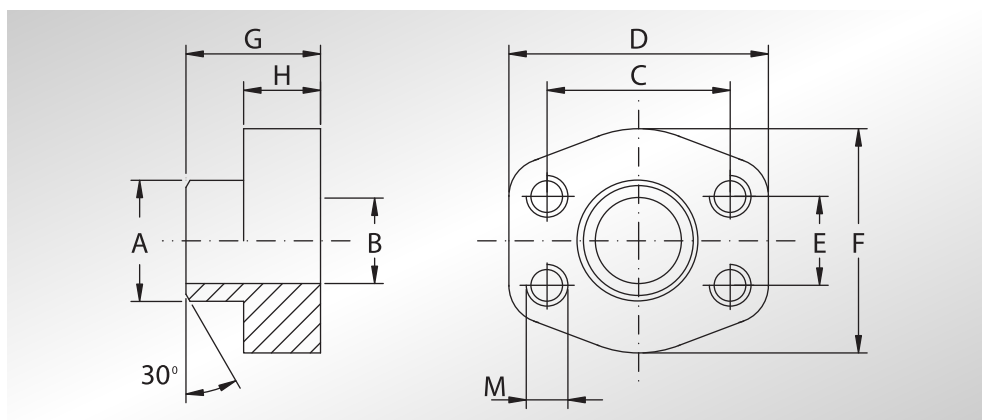
(•) Solo in ST52.3
(•) Only in ST52.3

set viti unc disponibili solo in acciaio al carbonio.
unc screws set available only in carbon steel.

CONTROFLANGE A SALDARE DI TESTA SCH.80



WELD ON COUNTER-FLANGES SCH.80



| Pressione max di esercizio raccomandata Kg/cm ² | Grandezza | Tipo | Dimensioni | | | | | | | | | | Peso Kg | |
|--|-----------|--------------|------------|-----|--------|-----|-------|-----|----|----|-----|------|---------------|------------|
| Maximum recommended working pressure Kg/cm ² | Size | Type | Dimensions | | | | | | | | | | Weight Kg | |
| | | | A | B | C | D | E | F | G | H | M | | | |
| SERIE 3000 | | | | | | | | | | | | | Metric | Unc |
| 345 | 1/2" | GFS080ST | 21,5 | 13 | 38,10 | 57 | 17,48 | 46 | 36 | 16 | M8 | 5/16 | 0,25 | |
| 345 | 1/2" | GFS080ST038 | 17,5 | 13 | 38,10 | 57 | 17,48 | 46 | 36 | 16 | M8 | 5/16 | 0,23 | |
| 345 | 3/4" | GFS100ST | 28,0 | 19 | 47,63 | 65 | 22,23 | 50 | 36 | 18 | M10 | 3/8 | 0,39 | |
| 345 | 1" | GFS102ST | 34,0 | 25 | 52,37 | 70 | 26,19 | 55 | 38 | 18 | M10 | 3/8 | 0,45 | |
| 276 | 1"1/4 | GFS104ST | 42,8 | 32 | 58,72 | 79 | 30,18 | 68 | 41 | 21 | M10 | 7/16 | 0,69 | |
| 207 | 1"1/2 | GFS106ST | 48,6 | 38 | 69,85 | 93 | 35,71 | 78 | 44 | 25 | M12 | 1/2 | 1,05 | |
| 207 | 2" | GFS108ST | 61,0 | 51 | 77,77 | 102 | 42,88 | 90 | 45 | 25 | M12 | 1/2 | 1,22 | |
| 172 | 2"1/2 | GFS110ST | 77,0 | 63 | 88,90 | 114 | 50,80 | 105 | 50 | 25 | M12 | 1/2 | 1,63 | |
| 138 | 3" | GFS112ST | 92,0 | 73 | 106,38 | 134 | 61,93 | 124 | 50 | 27 | M16 | 5/8 | 2,42 | |
| 34 | 3"1/2 | GFS114ST | 103,0 | 89 | 120,65 | 152 | 69,85 | 136 | 48 | 27 | M16 | 5/8 | 2,49 | |
| 34 | 4" | GFS116ST | 115,5 | 99 | 130,18 | 162 | 77,77 | 146 | 48 | 27 | M16 | 5/8 | 2,94 | |
| 34 | 5" | GFS118ST (•) | 142,0 | 120 | 152,40 | 184 | 92,08 | 180 | 50 | 28 | M16 | 5/8 | 5,00 | |
| SERIE 6000 | | | | | | | | | | | | | | |
| 414 | 1/2" | GFS401ST012 | 21,5 | 13 | 40,49 | 57 | 18,24 | 46 | 36 | 16 | M8 | 5/16 | 0,25 | |
| 414 | 1/2" | GFS401ST038 | 17,5 | 13 | 40,49 | 57 | 18,24 | 46 | 36 | 16 | M8 | 5/16 | 0,23 | |
| 414 | 3/4" | GFS402ST | 28,0 | 19 | 50,80 | 71 | 23,80 | 55 | 35 | 21 | M10 | 3/8 | 0,52 | |
| 414 | 1" | GFS403ST | 34,0 | 25 | 57,15 | 79 | 27,76 | 68 | 41 | 21 | M12 | 7/16 | 0,70 | |
| 375 | 1"1/4 | GFS404ST | 42,8 | 32 | 66,68 | 93 | 31,75 | 78 | 44 | 25 | M14 | 1/2 | 1,08 | |
| 320 | 1"1/2 | GFS405ST | 48,6 | 38 | 79,38 | 112 | 36,50 | 94 | 55 | 30 | M16 | 5/8 | 1,76 | |
| 250 | 2" | GFS406ST | 61,0 | 51 | 96,82 | 134 | 44,45 | 114 | 65 | 37 | M20 | 3/4 | 2,98 | |
| 230 | 2"1/2 | GFS507ST (•) | 76,6 | 63 | 123,80 | 180 | 58,70 | 152 | 80 | 45 | M24 | — | 6,50 | |
| 200 | 3" | GFS508ST (•) | 90,0 | 73 | 152,40 | 208 | 71,40 | 178 | 90 | 55 | M30 | — | — | |

PER QUESTA TIPOLOGIA DI PRODOTTO, VERIFICATE SEMPRE SE LA QUOTA "A" E "B" CORRISPONDE ALLA SCHEDULA DEL VOSTRO TUBO

FOR THIS KIND OF PRODUCT, PLEASE ALWAYS VERIFY IF DIMENSION "A" AND "B" CORRESPOND TO THE SCHEDULE OF YOUR TUBE

| DESIGNAZIONE PER ORDINE DESIGNATION FOR ORDER | Materiale / Material | |
|---|----------------------|------------------|
| | ST52.3 | AISI 316L |
| Controflangia con fori di fissaggio filettati metrici Counter-flange with metric threaded fixing holes | GFS...ST | GFX...ST |
| Controflangia con fori di fissaggio filettati unc Counter-flange with unc threaded fixing holes | GFS...STU | GFX...STU |

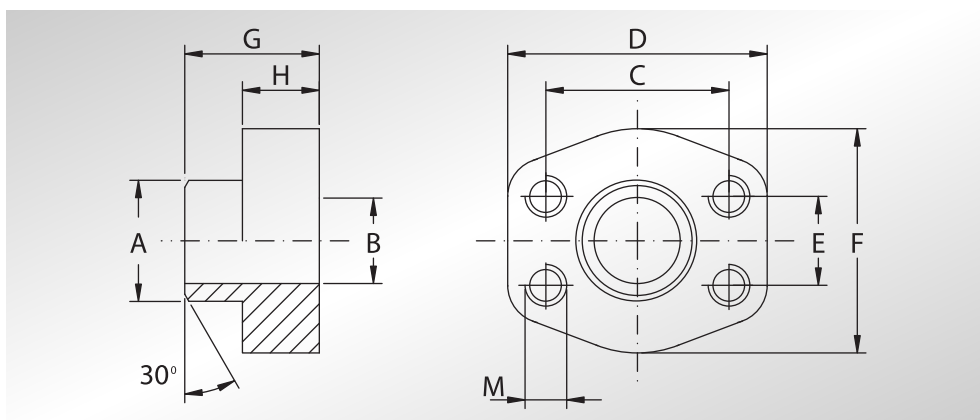
NOTE / NOTES

- (•) Solo in ST52.3
- (•) Only in ST52.3



CONTROFLANGE A SALDARE DI TESTA SCH.160

WELD ON COUNTER-FLANGES SCH.160



| Pressione max di esercizio raccomandata Kg/cm ² | Grandezza | Tipo | Dimensioni | | | | | | | | | | Peso Kg | |
|--|-----------|------------------|------------|-------|--------|-----|-------|-----|----|----|-----|--------|-----------|--|
| Maximum recommended working pressure Kg/cm ² | Size | Type | Dimensions | | | | | | | | | | Weight Kg | |
| | | | A | B | C | D | E | F | G | H | M | Metric | Unc | |
| SERIE 3000 | | | | | | | | | | | | | | |
| 345 | 1/2" | GFS080STB11 | 21,5 | 11,8 | 38,10 | 57 | 17,48 | 46 | 36 | 16 | M8 | 5/16 | 0,25 | |
| 345 | 3/4" | GFS100STB15 | 28,0 | 15,6 | 47,63 | 65 | 22,23 | 50 | 36 | 18 | M10 | 3/8 | 0,39 | |
| 345 | 1" | GFS102STB20 | 34,0 | 20,7 | 52,37 | 70 | 26,19 | 55 | 38 | 18 | M10 | 3/8 | 0,45 | |
| 276 | 1"1/4 | GFS104STB29 | 42,8 | 29,5 | 58,72 | 79 | 30,18 | 68 | 41 | 21 | M10 | 7/16 | 0,69 | |
| 207 | 1"1/2 | GFS106STB34 | 48,6 | 34 | 69,85 | 93 | 35,71 | 78 | 44 | 25 | M12 | 1/2 | 1,05 | |
| 207 | 2" | GFS108STB42 | 61,0 | 42,8 | 77,77 | 102 | 42,88 | 90 | 45 | 25 | M12 | 1/2 | 1,22 | |
| 172 | 2"1/2 | GFS110STB54 | 77,0 | 54 | 88,90 | 114 | 50,80 | 105 | 50 | 25 | M12 | 1/2 | 1,63 | |
| 138 | 3" | GFS112STB67 | 92,0 | 67,7 | 106,38 | 134 | 61,93 | 124 | 50 | 27 | M16 | 5/8 | 2,42 | |
| 34 | 4" | GFS116STB87 | 115,5 | 87,3 | 130,18 | 162 | 77,77 | 146 | 48 | 27 | M16 | 5/8 | 2,94 | |
| 34 | 5" | GFS118STB109 (•) | 142,0 | 109,5 | 152,40 | 184 | 92,08 | 180 | 50 | 28 | M16 | 5/8 | 5,00 | |
| SERIE 6000 | | | | | | | | | | | | | | |
| 414 | 1/2" | GFS401ST012B11 | 21,5 | 11,8 | 40,49 | 57 | 18,24 | 46 | 36 | 16 | M8 | 5/16 | 0,25 | |
| 414 | 3/4" | GFS402STB15 | 28,0 | 15,6 | 50,80 | 71 | 23,80 | 55 | 35 | 21 | M10 | 3/8 | 0,52 | |
| 414 | 1" | GFS403STB20 | 34,0 | 20,7 | 57,15 | 79 | 27,76 | 68 | 41 | 21 | M12 | 7/16 | 0,70 | |
| 414 | 1"1/4 | GFS404STB29 | 42,8 | 29,5 | 66,68 | 93 | 31,75 | 78 | 44 | 25 | M14 | 1/2 | 1,08 | |
| 414 | 1"1/2 | GFS405STB34 | 48,6 | 34 | 79,38 | 112 | 36,50 | 94 | 50 | 28 | M16 | 5/8 | 1,76 | |
| 414 | 2" | GFS406STB42 | 61,0 | 42,8 | 96,82 | 134 | 44,45 | 114 | 65 | 37 | M20 | 3/4 | 2,98 | |
| 350 | 2"1/2 | GFS507STB54 (•) | 76,6 | 54 | 123,80 | 180 | 58,70 | 152 | 80 | 45 | M24 | — | 6,50 | |
| 350 | 3" | GFS508STB67 (•) | 90,0 | 67,7 | 152,40 | 208 | 71,40 | 178 | 90 | 55 | M30 | — | - | |

PER QUESTA TIPOLOGIA DI PRODOTTO, VERIFICATE SEMPRE SE LA QUOTA "A" E "B" CORRISPONDE ALLA SCHEDULA DEL VOSTRO TUBO

FOR THIS KIND OF PRODUCT, PLEASE ALWAYS VERIFY IF DIMENSION "A" AND "B" CORRESPOND TO THE SCHEDULE OF YOUR TUBE

| DESIGNAZIONE PER ORDINE DESIGNATION FOR ORDER | Materiale / Material | |
|---|----------------------|----------------------|
| | ST52.3 | AISI 316L |
| Controflangia con fori di fissaggio filettati metrici Counter-flange with metric threaded fixing holes | GFS...STB | GFX...STB |
| Controflangia con fori di fissaggio filettati unc Counter-flange with unc threaded fixing holes | GFS...STB...U | GFX...STB...U |

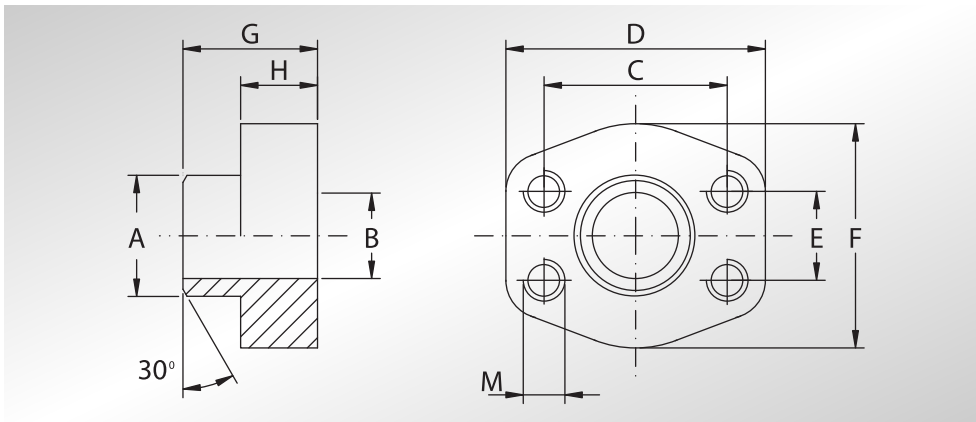
NOTE / NOTES

- (•) Solo in ST52.3
- (•) Only in ST52.3

**CONTROFLANGE
A SALDARE
DI TESTA SCH.XXS**



**WELD ON
COUNTER-FLANGES
SCH.XXS**



| Pressione max di esercizio raccomandata Kg/cm ² | Grandezza | Tipo | Dimensioni | | | | | | | | | | Peso Kg | |
|--|-----------|------------------|------------|-------|--------|-----|-------|-----|----|----|-----|---------------|------------|--|
| Maximum recommended working pressure Kg/cm ² | Size | Type | Dimensions | | | | | | | | | | Weight Kg | |
| | | | A | B | C | D | E | F | G | H | M | | | |
| SERIE 3000 | | | | | | | | | | | | Metric | Unc | |
| 345 | 1/2" | GFS080STB6 | 21,5 | 6,3 | 38,10 | 57 | 17,48 | 46 | 36 | 16 | M8 | 5/16 | 0,25 | |
| 345 | 3/4" | GFS100STB11 | 28,0 | 11,0 | 47,63 | 65 | 22,23 | 50 | 36 | 18 | M10 | 3/8 | 0,39 | |
| 345 | 1" | GFS102STB15 | 34,0 | 15,2 | 52,37 | 70 | 26,19 | 55 | 38 | 18 | M10 | 3/8 | 0,45 | |
| 276 | 1"1/4 | GFS104STB22 | 42,8 | 22,8 | 58,72 | 79 | 30,18 | 68 | 41 | 21 | M10 | 7/16 | 0,69 | |
| 207 | 1"1/2 | GFS106STB28 | 48,6 | 28,0 | 69,85 | 93 | 35,71 | 78 | 44 | 25 | M12 | 1/2 | 1,05 | |
| 207 | 2" | GFS108STB38 | 61,0 | 38,2 | 77,77 | 102 | 42,88 | 90 | 45 | 25 | M12 | 1/2 | 1,22 | |
| 172 | 2"1/2 | GFS110STB45 | 77,0 | 45,0 | 88,90 | 114 | 50,80 | 105 | 50 | 25 | M12 | 1/2 | 1,63 | |
| 138 | 3" | GFS112STB58 | 92,0 | 58,4 | 106,38 | 134 | 61,93 | 124 | 50 | 27 | M16 | 5/8 | 2,42 | |
| 34 | 4" | GFS116STB80 | 115,5 | 80,0 | 130,18 | 162 | 77,77 | 146 | 48 | 27 | M16 | 5/8 | 2,94 | |
| 34 | 5" | GFS118STB102 (•) | 142,0 | 102,9 | 152,40 | 184 | 92,08 | 180 | 50 | 28 | M16 | 5/8 | 5,00 | |
| SERIE 6000 | | | | | | | | | | | | | | |
| 414 | 1/2" | GFS401ST012B6 | 21,5 | 6,3 | 40,49 | 57 | 18,24 | 46 | 36 | 16 | M8 | 5/16 | 0,25 | |
| 414 | 3/4" | GFS402STB11 | 28,0 | 11,0 | 50,80 | 71 | 23,80 | 55 | 35 | 21 | M10 | 3/8 | 0,52 | |
| 414 | 1" | GFS403STB15 | 34,0 | 15,2 | 57,15 | 79 | 27,76 | 68 | 41 | 21 | M12 | 7/16 | 0,70 | |
| 414 | 1"1/4 | GFS404STB22 | 42,8 | 22,8 | 66,68 | 93 | 31,75 | 78 | 44 | 25 | M14 | 1/2 | 1,08 | |
| 414 | 1"1/2 | GFS405STB28 | 48,6 | 28,0 | 79,38 | 112 | 36,50 | 94 | 50 | 28 | M16 | 5/8 | 1,76 | |
| 414 | 2" | GFS406STB38 | 61,0 | 38,2 | 96,82 | 134 | 44,45 | 114 | 65 | 37 | M20 | 3/4 | 2,98 | |
| 414 | 2"1/2 | GFS507STB45 (•) | 76,6 | 45,0 | 123,80 | 180 | 58,70 | 152 | 80 | 45 | M24 | — | 6,50 | |
| 414 | 3" | GFS508STB58 (•) | 90,0 | 58,4 | 152,40 | 208 | 71,40 | 178 | 90 | 55 | M30 | — | - | |

PER QUESTA TIPOLOGIA DI PRODOTTO, VERIFICATE SEMPRE SE LA QUOTA "A" E "B" CORRISPONDE ALLA SCHEDULA DEL VOSTRO TUBO

FOR THIS KIND OF PRODUCT, PLEASE ALWAYS VERIFY IF DIMENSION "A" AND "B" CORRESPOND TO THE SCHEDULE OF YOUR TUBE

| DESIGNAZIONE PER ORDINE DESIGNATION FOR ORDER | Materiale / Material | |
|---|----------------------|----------------------|
| | ST52.3 | AISI 316L |
| Controflangia con fori di fissaggio filettati metrici Counter-flange with metric threaded fixing holes | GFS...STB | GFX...STB |
| Controflangia con fori di fissaggio filettati unc Counter-flange with unc threaded fixing holes | GFS...STB...U | GFX...STB...U |

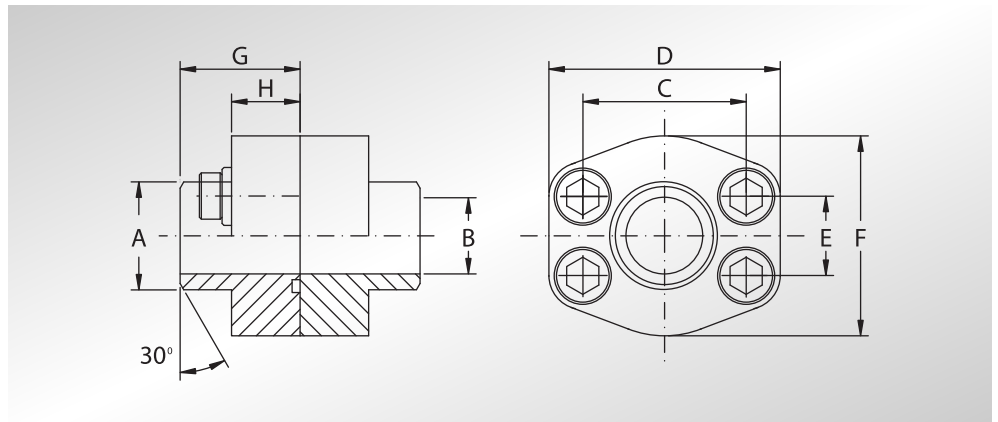
NOTE / NOTES

- (•) Solo in ST52.3
- (•) Only in ST52.3



**DOPPIE FLANGE
A SALDARE
DI TESTA
SCH.80; SCH.160;
SCH.XXS**

**WELD ON
DOUBLE FLANGES
SCH.80; SCH.160;
SCH.XXS**



| Pressione max di esercizio raccomandata Kg/cm ² | Grandezza | Tipo | Dimensioni | | | | | | | | | | Viti | | Or tipo | Peso Kg |
|--|-----------|--------------|-------------------|-----|-------|--------|---------|---------|-------|-----|--------|-----|---------|------------|---------|---------|
| | | | Dimensions | | | | | | | | | | Screws | | | |
| Maximum recommended working pressure Kg/cm ² | Size | Type | A | B | C | D | E | F | G | H | Metric | Unc | Or type | Weight Kg | | |
| | | | SERIE 3000 | | | SCH.80 | SCH.160 | SCH.XXS | | | | | | | | |
| 345 | 1/2" | DFS080ST | 21,5 | 13 | 11,8 | 6,3 | 38,10 | 57 | 17,48 | 46 | 72 | 32 | M8x30 | 5/16x1"1/4 | 4075 | 0,55 |
| 345 | 1/2" | DFS080ST038 | 17,5 | 13 | — | — | 38,10 | 57 | 17,48 | 46 | 72 | 32 | M8x30 | 5/16x1"1/4 | 4075 | 0,51 |
| 345 | 3/4" | DFS100ST | 28,0 | 19 | 15,6 | 11,0 | 47,63 | 65 | 22,23 | 50 | 72 | 36 | M10x35 | 3/8x1"1/2 | 4100 | 0,86 |
| 345 | 1" | DFS102ST | 34,0 | 25 | 20,7 | 15,2 | 52,37 | 70 | 26,19 | 55 | 76 | 36 | M10x35 | 3/8x1"1/2 | 4131 | 0,98 |
| 276 | 1"1/4 | DFS104ST | 42,8 | 32 | 29,5 | 22,8 | 58,72 | 79 | 30,18 | 68 | 82 | 42 | M10x40 | 7/16x1"3/4 | 4150 | 1,47 |
| 207 | 1"1/2 | DFS106ST | 48,6 | 38 | 34 | 28,0 | 69,85 | 93 | 35,71 | 78 | 88 | 50 | M12x45 | 1/2x1"3/4 | 4187 | 2,23 |
| 207 | 2" | DFS108ST | 61,0 | 51 | 42,8 | 38,2 | 77,77 | 102 | 42,88 | 90 | 90 | 50 | M12x45 | 1/2x1"3/4 | 4225 | 2,56 |
| 172 | 2"1/2 | DFS110ST | 77,0 | 63 | 54 | 45,0 | 88,90 | 114 | 50,80 | 105 | 100 | 50 | M12x45 | 1/2x1"3/4 | 4275 | 3,38 |
| 138 | 3" | DFS112ST | 92,0 | 73 | 67,7 | 58,4 | 106,38 | 134 | 61,93 | 124 | 100 | 54 | M16x50 | 5/8x2" | 4337 | 5,18 |
| 34 | 3"1/2 | DFS114ST | 103,0 | 89 | — | — | 120,65 | 152 | 69,85 | 136 | 96 | 54 | M16x50 | 5/8x2" | 4387 | 5,23 |
| 34 | 4" | DFS116ST | 115,5 | 99 | 87,3 | 80,0 | 130,18 | 162 | 77,77 | 146 | 96 | 54 | M16x50 | 5/8x2" | 4437 | 6,22 |
| 34 | 5" | DFS118ST (*) | 142,0 | 120 | 109,5 | 102,9 | 152,40 | 184 | 92,08 | 180 | 100 | 56 | M16x50 | 5/8x2" | 4537 | 12,12 |
| SERIE 6000 | | | | | | | | | | | | | | | | |
| 414 | 1/2" | DFS401ST012 | 21,5 | 13 | 11,8 | 6,3 | 40,49 | 57 | 18,24 | 46 | 72 | 32 | M8x30 | 5/16x1"1/4 | 4075 | 0,55 |
| 414 | 1/2" | DFS401ST038 | 17,5 | 13 | — | — | 40,49 | 57 | 18,24 | 46 | 72 | 32 | M8x30 | 5/16x1"1/4 | 4075 | 0,51 |
| 414 | 3/4" | DFS402ST | 28,0 | 19 | 15,6 | 11,0 | 50,80 | 71 | 23,80 | 55 | 70 | 42 | M10x40 | 3/8x1"1/2 | 4100 | 1,13 |
| 414 | 1" | DFS403ST | 34,0 | 25 | 20,7 | 15,2 | 57,15 | 79 | 27,76 | 68 | 82 | 42 | M12x45 | 7/16x1"3/4 | 4131 | 1,54 |
| 375 | 1"1/4 | DFS404ST | 42,8 | 32 | 29,5 | 22,8 | 66,68 | 93 | 31,75 | 78 | 88 | 50 | M14x45 | 1/2x1"3/4 | 4150 | 2,37 |
| 320 | 1"1/2 | DFS405ST | 48,6 | 38 | 34 | 28,0 | 79,38 | 112 | 36,50 | 94 | 110 | 60 | M16x50 | 5/8x2" | 4187 | 3,87 |
| 250 | 2" | DFS406ST | 61,0 | 51 | 42,8 | 38,2 | 96,82 | 134 | 44,45 | 114 | 130 | 74 | M20x70 | 3/4x2"1/2 | 4225 | 6,75 |
| 230 | 2"1/2 | DFS507ST (*) | 76,6 | 63 | 54 | 45,0 | 123,80 | 180 | 58,70 | 152 | 160 | 90 | M24x80 | — | 4275 | - |
| 200 | 3" | DFS508ST (*) | 90,0 | 73 | 67,7 | 58,4 | 152,40 | 208 | 71,40 | 178 | 180 | 110 | M30x100 | — | 4337 | - |

PER QUESTA TIPOLOGIA DI PRODOTTO, VERIFICATE SEMPRE SE LA QUOTA "A" E "B" CORRISPONDE ALLA SCHEDULA DEL VOSTRO TUBO

FOR THIS KIND OF PRODUCT, PLEASE ALWAYS VERIFY IF DIMENSION "A" AND "B" CORRESPOND TO THE SCHEDULE OF YOUR TUBE

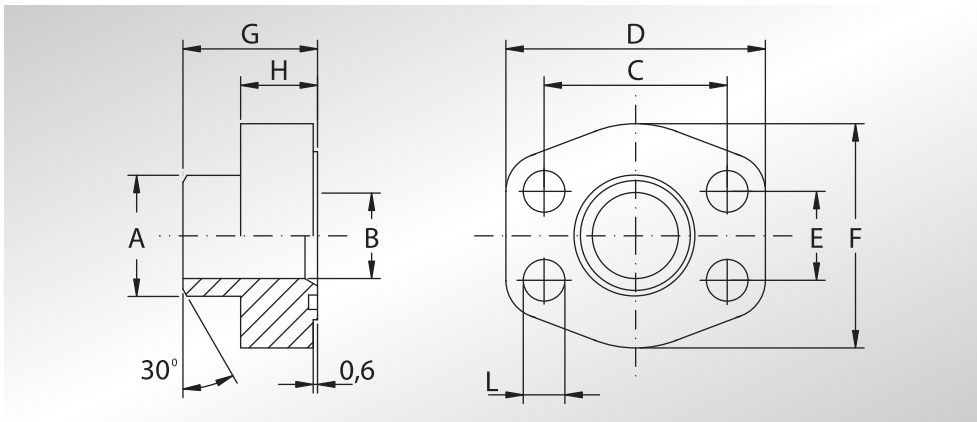
| DESIGNAZIONE PER ORDINE DESIGNATION FOR ORDER | Materiale / Material | |
|--|----------------------|------------------|
| | ST52.3 | AISI 316L |
| Flangia + controflangia + set viti metriche Flange + counter-flange + metric screws set | DFS...STM | DFX...STM |
| Flangia + controflangia + set viti unc Flange + counter-flange + unc screws set | DFS...STU | DFX...STU |

NOTE / NOTES

* Per viti unc L=13,5
* For unc screws L=13,5

(•) Solo in ST52.3
(•) Only in ST52.3

set viti unc disponibili solo in acciaio al carbonio.
unc screws set available only in carbon steel.



**FLANGE
A SALDARE DI
TESTA
TUBO METRICO
FORO CILINDRICO**



**METRIC PIPE
CYLINDRIC HOLE
WELD ON FLANGES**

| Pressione max di esercizio raccomandata Kg/cm ² | Grandezza | Tipo | Dimensioni | | | | | | | | | Viti | | Or tipo | Peso Kg |
|--|-----------|------|------------|---|---|---|---|---|---|---|---|--------|-----|---------|-----------|
| | | | Dimensions | | | | | | | | | Screws | | | |
| Maximum recommended working pressure Kg/cm ² | Size | Type | A | B | C | D | E | F | G | H | L | Metric | Unc | Or type | Weight Kg |

SERIE 3000

| | | | | | | | | | | | | | | | |
|-----|-------|-------------|----|----|--------|-----|-------|-----|------|------|------|--------|------------|------|------|
| 345 | 3/4" | AFS100SRE25 | 25 | 19 | 47,63 | 65 | 22,23 | 50 | 36 | 18 | 11 | M10x35 | 3/8x1"1/2 | 4100 | 0,35 |
| 345 | 1" | AFS102SRE30 | 30 | 22 | 52,37 | 70 | 26,19 | 55 | 38 | 18 | 11 | M10x35 | 3/8x1"1/2 | 4131 | 0,41 |
| 276 | 1"1/4 | AFS104SRE38 | 38 | 30 | 58,72 | 79 | 30,18 | 68 | 41 | 21 | 11,5 | M10x40 | 7/16x1"3/4 | 4150 | 0,64 |
| 207 | 1"1/2 | AFS106SRE42 | 42 | 36 | 69,85 | 93 | 35,71 | 78 | 44,5 | 24,5 | 13,5 | M12x45 | 1/2x1"3/4 | 4187 | 0,98 |
| 207 | 1"1/2 | AFS106SRE48 | 49 | 38 | 69,85 | 93 | 35,71 | 78 | 44,5 | 24,5 | 13,5 | M12x45 | 1/2x1"3/4 | 4187 | 0,98 |
| 207 | 2" | AFS108SRE48 | 49 | 42 | 77,77 | 102 | 42,88 | 90 | 45 | 25 | 13,5 | M12x45 | 1/2x1"3/4 | 4225 | 1,14 |
| 207 | 2" | AFS108SRE60 | 61 | 49 | 77,77 | 102 | 42,88 | 90 | 45 | 25 | 13,5 | M12x45 | 1/2x1"3/4 | 4225 | 1,14 |
| 172 | 2"1/2 | AFS110SRE76 | 77 | 62 | 88,90 | 114 | 50,80 | 105 | 50 | 25 | 13,5 | M12x45 | 1/2x1"3/4 | 4275 | 1,55 |
| 138 | 3" | AFS112SRE76 | 77 | 70 | 106,38 | 134 | 61,93 | 124 | 51 | 26 | 17,5 | M16x50 | 5/8x2" | 4337 | 2,33 |
| 138 | 3" | AFS112SRE76 | 77 | 62 | 106,38 | 134 | 61,93 | 124 | 51 | 26 | 17,5 | M16x50 | 5/8x2" | 4337 | 2,33 |
| 34 | 3"1/2 | AFS114SRE76 | 77 | 70 | 120,65 | 152 | 69,85 | 136 | 48 | 26 | 17,5 | M16x50 | 5/8x2" | 4387 | 2,40 |
| 34 | 3"1/2 | AFS114SRE88 | 90 | 82 | 120,65 | 152 | 69,85 | 136 | 48 | 26 | 17,5 | M16x50 | 5/8x2" | 4387 | 2,40 |
| 34 | 4" | AFS116SRE76 | 77 | 70 | 130,18 | 162 | 77,77 | 146 | 48 | 26 | 17,5 | M16x50 | 5/8x2" | 4437 | 2,85 |
| 34 | 4" | AFS116SRE88 | 90 | 82 | 130,18 | 162 | 77,77 | 146 | 48 | 26 | 17,5 | M16x50 | 5/8x2" | 4437 | 2,85 |

SERIE 6000

| | | | | | | | | | | | | | | | |
|-----|-------|-----------------|------|----|--------|-----|-------|-----|----|----|------|--------|------------|------|------|
| 414 | 1/2" | AFS401SRE20 | 20 | 14 | 40,49 | 57 | 18,24 | 46 | 34 | 16 | 9 | M8x30 | 5/16x1"1/4 | 4075 | 0,24 |
| 414 | 3/4" | AFS402SRE20 | 20 | 14 | 50,80 | 71 | 23,80 | 55 | 35 | 21 | 11 | M10x40 | 3/8x1"1/2 | 4100 | 0,48 |
| 414 | 3/4" | AFS402SRE25 | 25 | 17 | 50,80 | 71 | 23,80 | 55 | 35 | 21 | 11 | M10x40 | 3/8x1"1/2 | 4100 | 0,48 |
| 414 | 1" | AFS403SRE25 | 25 | 19 | 57,15 | 81 | 27,76 | 65 | 42 | 25 | 13 | M12x45 | 7/16x1"3/4 | 4131 | 0,64 |
| 414 | 1" | AFS403SRE30 | 30 | 22 | 57,15 | 81 | 27,76 | 65 | 42 | 25 | 13 | M12x45 | 7/16x1"3/4 | 4131 | 0,64 |
| 414 | 1"1/4 | AFS404SRE38 | 38 | 28 | 66,68 | 95 | 31,75 | 78 | 44 | 25 | 15 * | M14x45 | 1/2x1"3/4 | 4150 | 1,00 |
| 414 | 1"1/4 | AFS404SRE38B26 | 38 | 26 | 66,68 | 95 | 31,75 | 78 | 44 | 25 | 15 * | M14x45 | 1/2x1"3/4 | 4150 | 1,00 |
| 414 | 1"1/2 | AFS405SRE38 | 38 | 28 | 79,38 | 112 | 36,50 | 94 | 56 | 28 | 17 | M16x50 | 5/8x2" | 4187 | 1,69 |
| 414 | 1"1/2 | AFS405SRE48B32 | 48,6 | 32 | 79,38 | 112 | 36,50 | 94 | 56 | 28 | 17 | M16x50 | 5/8x2" | 4187 | 1,69 |
| 414 | 2" | AFS406SRE60 | 61 | 40 | 96,82 | 134 | 44,45 | 114 | 65 | 37 | 21 | M20x70 | 3/4x2"1/2 | 4225 | 2,86 |
| 414 | 2"1/2 | AFS507SRE76 (*) | 76,6 | 50 | 123,80 | 180 | 58,70 | 152 | 80 | 45 | 26 | M24x80 | — | 4275 | 6,40 |

| DESIGNAZIONE PER ORDINE DESIGNATION FOR ORDER | Materiale / Material | |
|--|-------------------------------|-------------------------------|
| | ST52.3 | AISI 316L |
| Solo flangia Only flange | AFS...SRE/STRE | AFX...SRE/STRE |
| Flangia completa di viti metriche, grower e o-ring Flange complete of metric screws, grower type washers and o-ring | AFS...SRE...M/STRE...M | AFX...SRE...M/STRE...M |
| Flangia completa di viti unc, grower e o-ring Flange complete of unc screws, grower type washers and o-ring | AFS...SRE...U/STRE...U | AFX...SRE...U/STRE...U |

NOTE / NOTES

* Per viti unc L=13,5
* For unc screws L=13,5

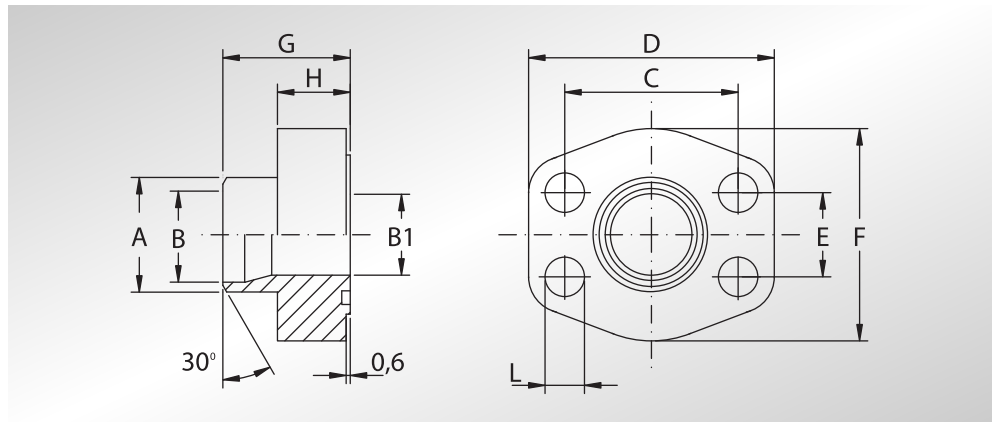
(*) Solo in ST52.3
(*) Only in ST52.3

set viti unc disponibili solo in acciaio al carbonio.
unc screws set available only in carbon steel.



FLANGE A SALDARE DI TESTA TUBO METRICO

METRIC PIPE WELD ON FLANGES



| Pressione max di esercizio raccomandata Kg/cm ² | Grandezza | Tipo | Dimensioni | | | | | | | | | | Viti | | Or tipo | Peso Kg |
|--|-----------|------|------------|---|----|---|---|---|---|---|---|---|--------|-----|---------|-----------|
| | | | Dimensions | | | | | | | | | | Screws | | | |
| Maximum recommended working pressure Kg/cm ² | Size | Type | A | B | B1 | C | D | E | F | G | H | L | Metric | Unc | Or type | Weight Kg |

SERIE 3000

| | | | | | | | | | | | | | | | | |
|-----|-------|----------------|-------|------|-----|--------|-----|-------|-----|------|------|------|--------|------------|------|------|
| 345 | 1/2" | AFS080SRE20 | 20 | 14 | 13 | 38,10 | 57 | 17,48 | 46 | 35 | 16 | 9 | M8x30 | 5/16x1"1/4 | 4075 | 0,24 |
| 345 | 1/2" | AFS080SRE22 | 20 | 16 | 13 | 38,10 | 57 | 17,48 | 46 | 35 | 16 | 9 | M8x30 | 5/16x1"1/4 | 4075 | 0,24 |
| 345 | 3/4" | AFS100SRE28 | 28 | 21,5 | 19 | 47,63 | 65 | 22,23 | 50 | 36 | 18 | 11 | M10x35 | 3/8x1"1/2 | 4100 | 0,35 |
| 345 | 1" | AFS102SRE35 | 35 | 27 | 25 | 52,37 | 70 | 26,19 | 55 | 38 | 18 | 11 | M10x35 | 3/8x1"1/2 | 4131 | 0,46 |
| 276 | 1"1/4 | AFS104SRE42 | 43 | 36 | 31 | 58,72 | 79 | 30,18 | 68 | 41 | 21 | 11,5 | M10x40 | 7/16x1"3/4 | 4150 | 0,64 |
| 207 | 1"1/2 | AFS106STRE48 | 49 | 42 | 38 | 69,85 | 93 | 35,71 | 78 | 44,5 | 24,5 | 13,5 | M12x45 | 1/2x1"3/4 | 4187 | 0,98 |
| 207 | 2" | AFS108STRE60 | 61 | 53 | 49 | 77,77 | 102 | 42,88 | 90 | 45 | 25 | 13,5 | M12x45 | 1/2x1"3/4 | 4225 | 1,14 |
| 172 | 2"1/2 | AFS110STRE76 | 77 | 70 | 62 | 88,90 | 114 | 50,80 | 105 | 50 | 25 | 13,5 | M12x45 | 1/2x1"3/4 | 4275 | 1,55 |
| 138 | 3" | AFS112STRE88 | 90 | 92 | 74 | 106,38 | 134 | 61,93 | 124 | 51 | 26 | 17,5 | M16x50 | 5/8x2" | 4337 | 2,33 |
| 34 | 4" | AFS116STRE114 | 115 | 107 | 102 | 130,18 | 162 | 77,77 | 146 | 48 | 26 | 17,5 | M16x50 | 5/8x2" | 4437 | 2,85 |
| 34 | 5" | AFS118STREH139 | 140,2 | 131 | 120 | 152,40 | 184 | 92,08 | 180 | 50 | 28 | 17,5 | M16x50 | 5/8x2" | 4537 | 4,00 |

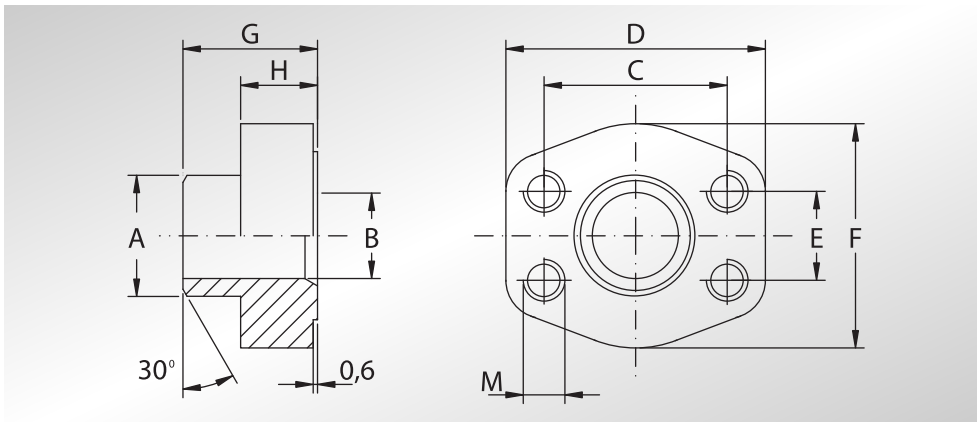
SERIE 6000

| | | | | | | | | | | | | | | | | |
|-----|-------|-------------|----|----|----|-------|-----|-------|----|----|----|----|--------|--------|------|------|
| 414 | 1"1/2 | AFS405SRE60 | 61 | 40 | 38 | 79,38 | 112 | 36,50 | 94 | 56 | 28 | 17 | M16x50 | 5/8x2" | 4187 | 1,65 |
|-----|-------|-------------|----|----|----|-------|-----|-------|----|----|----|----|--------|--------|------|------|

| DESIGNAZIONE PER ORDINE DESIGNATION FOR ORDER | Materiale / Material | |
|--|-------------------------------|-------------------------------|
| | ST52.3 | AISI 316L |
| Solo flangia Only flange | AFS...SRE/STRE | AFX...SRE/STRE |
| Flangia completa di viti metriche, grower e o-ring Flange complete of metric screws, grower type washers and o-ring | AFS...SRE...M/STRE...M | AFX...SRE...M/STRE...M |
| Flangia completa di viti unc, grower e o-ring Flange complete of unc screws, grower type washers and o-ring | AFS...SRE...U/STRE...U | AFX...SRE...U/STRE...U |

NOTE / NOTES

set viti unc disponibili solo in acciaio al carbonio.
unc screws set available only in carbon steel.



**CONTROFLANGE
A SALDARE
DI TESTA
TUBO METRICO
FORO CILINDRICO**



**METRIC PIPE
CYLINDRIC
HOLE WELD ON
COUNTER-FLANGES**

| Pressione max di esercizio raccomandata Kg/cm ² | Grandezza | Tipo | Dimensioni | | | | | | | | | | Peso Kg | |
|--|-----------|-----------------|-------------------|----|--------|-----|-------|-----|------|------|-----|--------|---------|-----------|
| | | | Dimensions | | | | | | | | | | | |
| Maximum recommended working pressure Kg/cm ² | Size | Type | A | B | C | D | E | F | G | H | M | Metric | Unc | Weight Kg |
| | | | SERIE 3000 | | | | | | | | | | | |
| 345 | 3/4" | GFS100SRE25 | 25 | 19 | 47,63 | 65 | 22,23 | 50 | 36 | 18 | M10 | 3/8 | 0,39 | |
| 345 | 1" | GFS102SRE30 | 30 | 22 | 52,37 | 70 | 26,19 | 55 | 38 | 18 | M10 | 3/8 | 0,45 | |
| 276 | 1"1/4 | GFS104SRE38 | 38 | 30 | 58,72 | 79 | 30,18 | 68 | 41 | 21 | M10 | 7/16 | 0,69 | |
| 207 | 1"1/2 | GFS106SRE42 | 42 | 36 | 69,85 | 93 | 35,71 | 78 | 44,5 | 24,5 | M12 | 1/2 | 1,05 | |
| 207 | 1"1/2 | GFS106SRE48 | 49 | 38 | 69,85 | 93 | 35,71 | 78 | 44,5 | 24,5 | M12 | 1/2 | 1,05 | |
| 207 | 2" | GFS108SRE48 | 49 | 42 | 77,77 | 102 | 42,88 | 90 | 45 | 25 | M12 | 1/2 | 1,22 | |
| 207 | 2" | GFS108SRE60 | 61 | 49 | 77,77 | 102 | 42,88 | 90 | 45 | 25 | M12 | 1/2 | 1,22 | |
| 172 | 2"1/2 | GFS110SRE76 | 77 | 62 | 88,90 | 114 | 50,80 | 105 | 50 | 25 | M12 | 1/2 | 1,63 | |
| 138 | 3" | GFS112SRE76 | 77 | 70 | 106,38 | 134 | 61,93 | 124 | 51 | 26 | M16 | 5/8 | 2,33 | |
| 138 | 3" | GFS112SRE76 | 77 | 62 | 106,38 | 134 | 61,93 | 124 | 51 | 26 | M16 | 5/8 | 2,33 | |
| 34 | 3"1/2 | GFS114SRE76 | 77 | 70 | 120,65 | 152 | 69,85 | 136 | 48 | 26 | M16 | 5/8 | 2,49 | |
| 34 | 3"1/2 | GFS114SRE88 | 90 | 82 | 120,65 | 152 | 69,85 | 136 | 48 | 26 | M16 | 5/8 | 2,49 | |
| 34 | 4" | GFS116SRE76 | 77 | 70 | 130,18 | 162 | 77,77 | 146 | 48 | 26 | M16 | 5/8 | 2,85 | |
| 34 | 4" | GFS116SRE88 | 90 | 82 | 130,18 | 162 | 77,77 | 146 | 48 | 26 | M16 | 5/8 | 2,85 | |
| SERIE 6000 | | | | | | | | | | | | | | |
| 414 | 1/2" | GFS401SRE20 | 20 | 14 | 40,49 | 57 | 18,24 | 46 | 34 | 16 | M8 | 5/16 | 0,25 | |
| 414 | 3/4" | GFS402SRE20 | 20 | 14 | 50,80 | 71 | 23,80 | 55 | 35 | 21 | M10 | 3/8 | 0,52 | |
| 414 | 3/4" | GFS402SRE25 | 25 | 17 | 50,80 | 71 | 23,80 | 55 | 35 | 21 | M10 | 3/8 | 0,52 | |
| 414 | 1" | GFS403SRE25 | 25 | 19 | 57,15 | 81 | 27,76 | 65 | 42 | 25 | M12 | 7/16 | 0,70 | |
| 414 | 1" | GFS403SRE30 | 30 | 22 | 57,15 | 81 | 27,76 | 65 | 42 | 25 | M12 | 7/16 | 0,70 | |
| 414 | 1"1/4 | GFS404SRE38 | 38 | 28 | 66,68 | 95 | 31,75 | 78 | 44 | 25 | M14 | 1/2 | 1,08 | |
| 414 | 1"1/4 | GFS404SRE38B26 | 38 | 26 | 66,68 | 95 | 31,75 | 78 | 44 | 25 | M14 | 1/2 | 1,08 | |
| 414 | 1"1/2 | GFS405SRE38 | 38 | 28 | 79,38 | 112 | 36,50 | 94 | 56 | 28 | M16 | 5/8 | 1,76 | |
| 414 | 1"1/2 | GFS405SRE48B32 | 48,6 | 32 | 79,38 | 112 | 36,50 | 94 | 56 | 28 | M16 | 5/8 | 1,76 | |
| 414 | 2" | GFS406SRE60 | 61 | 40 | 96,82 | 134 | 44,45 | 114 | 65 | 37 | M20 | 3/4 | 2,98 | |
| 414 | 2"1/2 | GFS507SRE76 (*) | 76,6 | 50 | 123,80 | 180 | 58,70 | 152 | 80 | 45 | M24 | — | 6,50 | |

| DESIGNAZIONE PER ORDINE DESIGNATION FOR ORDER | Materiale / Material | |
|---|---------------------------|---------------------------|
| | ST52.3 | AISI 316L |
| Controflangia con fori di fissaggio filettati metrici Counter-flange with metric threaded fixing holes | GFS...SRE / STRE | GFX...SRE / STRE |
| Controflangia con fori di fissaggio filettati unc Counter-flange with unc threaded fixing holes | GFS...SREU / STREU | GFX...SREU / STREU |

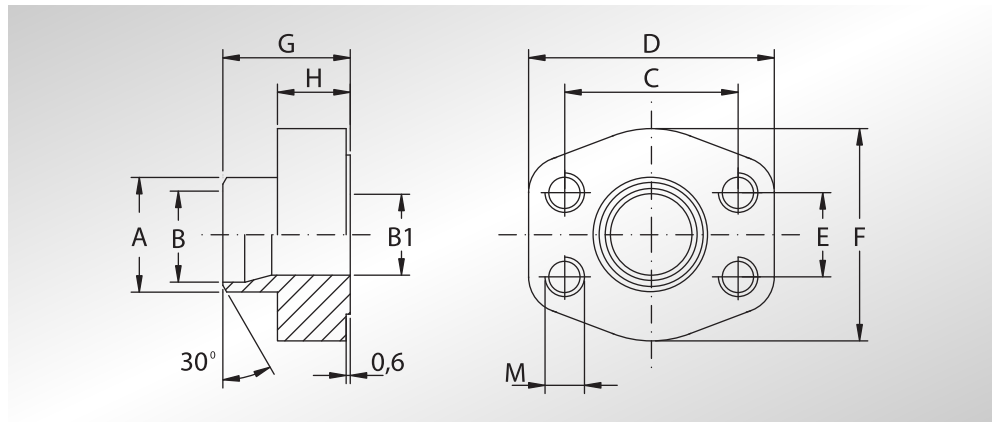
NOTE / NOTES

- (*) Solo in ST52.3
- (*) Only in ST52.3



CONTROFLANGE A SALDARE DI TESTA TUBO METRICO

METRIC PIPE WELD ON COUNTER-FLANGES



| Pressione max di esercizio raccomandata Kg/cm ² | Grandezza | Tipo | Dimensioni | | | | | | | | | | Peso Kg | |
|--|-----------|----------------|------------|------|-----|--------|-----|-------|-----|------|------|-----|---------------|------------|
| | | | Dimensions | | | | | | | | | | | |
| Maximum recommended working pressure Kg/cm ² | Size | Type | A | B | B1 | C | D | E | F | G | H | M | | Weight Kg |
| | | | | | | | | | | | | | | |
| SERIE 3000 | | | | | | | | | | | | | Metric | Unc |
| 345 | 1/2" | GFS080SRE20 | 20 | 14 | 13 | 38,10 | 57 | 17,48 | 46 | 35 | 16 | M8 | 5/16 | 0,25 |
| 345 | 1/2" | GFS080SRE22 | 20 | 16 | 13 | 38,10 | 57 | 17,48 | 46 | 35 | 16 | M8 | 5/16 | 0,25 |
| 345 | 3/4" | GFS100SRE28 | 28 | 21,5 | 19 | 47,63 | 65 | 22,23 | 50 | 36 | 18 | M10 | 3/8 | 0,39 |
| 345 | 1" | GFS102SRE35 | 35 | 27 | 25 | 52,37 | 70 | 26,19 | 55 | 38 | 18 | M10 | 3/8 | 0,45 |
| 276 | 1"1/4 | GFS104SRE42 | 43 | 36 | 31 | 58,72 | 79 | 30,18 | 68 | 41 | 21 | M10 | 7/16 | 0,69 |
| 207 | 1"1/2 | GFS106STRE48 | 49 | 42 | 38 | 69,85 | 93 | 35,71 | 78 | 44,5 | 24,5 | M12 | 1/2 | 1,05 |
| 207 | 2" | GFS108STRE60 | 61 | 53 | 49 | 77,77 | 102 | 42,88 | 90 | 45 | 25 | M12 | 1/2 | 1,22 |
| 172 | 2"1/2 | GFS110STRE76 | 77 | 70 | 62 | 88,90 | 114 | 50,80 | 105 | 50 | 25 | M12 | 1/2 | 1,63 |
| 138 | 3" | GFS112STRE88 | 90 | 92 | 74 | 106,38 | 134 | 61,93 | 124 | 51 | 26 | M16 | 5/8 | 2,42 |
| 34 | 4" | GFS116STRE114 | 115 | 107 | 102 | 130,18 | 162 | 77,77 | 146 | 48 | 26 | M16 | 5/8 | 2,94 |
| 34 | 5" | GFS118STREH139 | 140,2 | 131 | 120 | 152,40 | 184 | 92,08 | 180 | 50 | 28 | M16 | 5/8 | 4,00 |
| SERIE 6000 | | | | | | | | | | | | | | |
| 414 | 1"1/2 | GFS405SRE60 | 61 | 40 | 38 | 79,38 | 112 | 36,50 | 94 | 56 | 28 | M8 | 5/16 | 1,76 |

DESIGNAZIONE PER ORDINE DESIGNATION FOR ORDER

Controflangia con fori di fissaggio filettati metrici
Counter-flange with metric threaded fixing holes

Controflangia con fori di fissaggio filettati unc
Counter-flange with unc threaded fixing holes

Materiale / Material

ST52.3

AISI 316L

GFS...SRE / STRE

GFX...SRE / STRE

GFS...SREU / STREU

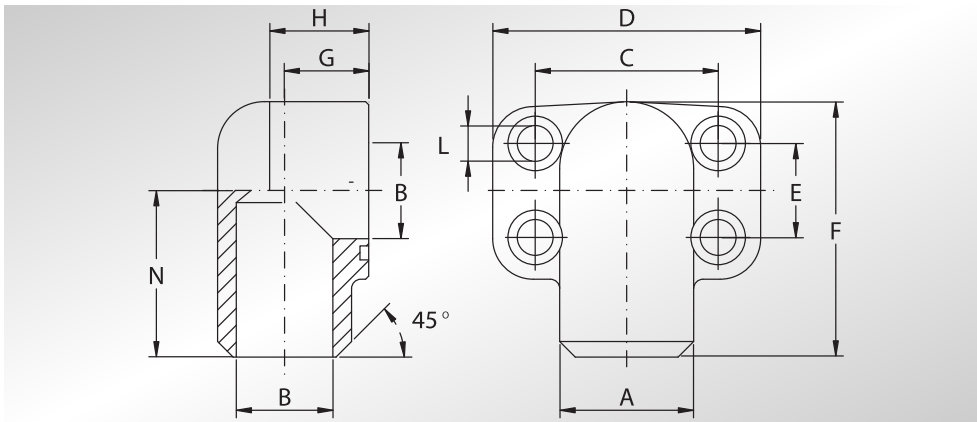
GFX...SREU / STREU

NOTE / NOTES

**FLANGE A 90°
A SALDARE
DI TESTA**



**WELD ON
90° FLANGES**



| Pressione max di esercizio raccomandata Kg/cm ² | Grandezza | Tipo | Dimensioni | | | | | | | | | | Viti | | Or tipo | Peso Kg |
|--|-----------|------|------------|---|---|---|---|---|---|---|---|---|--------|-----|---------|-----------|
| Maximum recommended working pressure Kg/cm ² | Size | Type | Dimensions | | | | | | | | | | Screws | | Or type | Weight Kg |
| | | | A | B | C | D | E | F | G | H | L | N | Metric | Unc | | |

SERIE 3000

| | | | | | | | | | | | | | | | | |
|-----|-------|------------|------|----|-------|-----|-------|----|------|----|------|----|--------|---|------|------|
| 345 | 3/4" | AFS20090ST | 27,2 | 19 | 47,63 | 70 | 22,23 | 63 | 23 | 21 | 11 | 41 | M10x40 | — | 3100 | 0,65 |
| 345 | 1" | AFS20290ST | 34,5 | 23 | 52,37 | 75 | 26,19 | 72 | 25 | 24 | 11 | 48 | M10x40 | — | 4112 | 0,85 |
| 276 | 1"1/4 | AFS20490ST | 43,0 | 31 | 58,72 | 86 | 30,18 | 82 | 27 | 25 | 11,5 | 54 | M10x45 | — | 4150 | 1,15 |
| 207 | 1"1/2 | AFS20690ST | 50,0 | 35 | 69,85 | 97 | 35,71 | 92 | 31,5 | 29 | 14,0 | 57 | M12x60 | — | 4187 | 1,85 |
| 207 | 2" | AFS20890ST | 65,0 | 48 | 77,77 | 100 | 42,88 | 99 | 37,5 | 50 | 14,0 | 63 | M12x70 | — | 4225 | 2,15 |

SERIE 6000

| | | | | | | | | | | | | | | | | |
|-----|-------|------------|------|----|-------|-----|-------|-----|----|----|------|----|--------|------------|------|------|
| 414 | 3/4" | AFS70090ST | 28,0 | 19 | 50,80 | 71 | 23,80 | 70 | 22 | 19 | 11 | 40 | M10x35 | 3/8x1"1/2 | 4100 | 0,50 |
| 414 | 1" | AFS70290ST | 34,0 | 25 | 57,15 | 81 | 27,76 | 82 | 27 | 24 | 13 | 47 | M12x45 | 7/16x1"3/4 | 4131 | 0,80 |
| 375 | 1"1/4 | AFS70490ST | 42,0 | 32 | 66,68 | 95 | 31,75 | 95 | 32 | 27 | 15 * | 56 | M14x45 | 1/2x1"3/4 | 4150 | 1,20 |
| 320 | 1"1/2 | AFS70690ST | 48,0 | 38 | 79,38 | 113 | 36,50 | 115 | 40 | 30 | 17 | 68 | M16x55 | 5/8x2" | 4187 | 1,95 |

| DESIGNAZIONE PER ORDINE DESIGNATION FOR ORDER | Materiale / Material ST52.3 |
|--|--------------------------------|
| Solo flangia Only flange | AFS...90ST |
| Flangia completa di viti metriche, grower e o-ring Flange complete of metric screws, grower type washers and o-ring | AFS...90STM |
| Flangia completa di viti unc, grower e o-ring Flange complete of unc screws, grower type washers and o-ring | AFS...90STU |

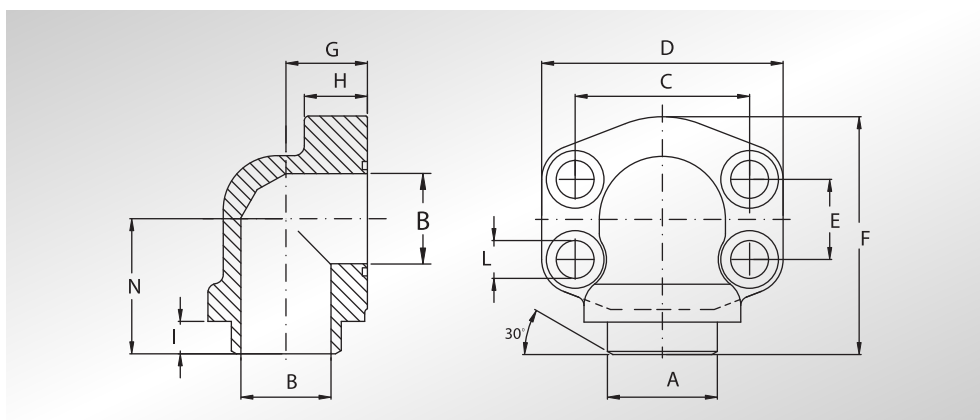
NOTE / NOTES

- * Per viti unc L=13,5
- * For unc screws L=13,5



FLANGE A 90° A SALDARE DI TESTA

WELD ON 90° FLANGES



| Pressione max di esercizio raccomandata Kg/cm ² | Grandezza | Tipo | Dimensioni | | | | | | | | | | | Viti | | Or tipo | Peso Kg |
|--|-----------|---------------|-------------------|----|-------|-----|-------|-----|----|----|----|------|----|--------|------------|---------|-----------|
| | | | Dimensions | | | | | | | | | | | Screws | | | |
| Maximum recommended working pressure Kg/cm ² | Size | Type | A | B | C | D | E | F | G | H | I | L | N | Metric | Unc | Or type | Weight Kg |
| | | | SERIE 3000 | | | | | | | | | | | | | | |
| 345 | 1/2" | AFS08090ST | 21,5 | 13 | 38,10 | 54 | 17,48 | 60 | 20 | 16 | 16 | 9 | 37 | M8x30 | 5/16x1"1/4 | 4075 | 0,28 |
| 345 | 1/2" | AFS08090ST038 | 17,5 | 13 | 38,10 | 54 | 17,48 | 60 | 20 | 16 | 16 | 9 | 37 | M8x30 | 5/16x1"1/4 | 4075 | 0,29 |
| 345 | 3/4" | AFS10090ST | 27,0 | 19 | 47,63 | 65 | 22,23 | 63 | 24 | 18 | 16 | 11 | 38 | M10x35 | 3/8x1"1/2 | 4100 | 0,45 |
| 345 | 1" | AFS10290ST | 34,5 | 25 | 52,37 | 70 | 26,19 | 70 | 28 | 19 | 19 | 11 | 43 | M10x35 | 3/8x1"1/2 | 4131 | 0,56 |
| 276 | 1"1/4 | AFS10490ST | 42,8 | 32 | 58,72 | 79 | 30,18 | 85 | 34 | 21 | 21 | 11,5 | 51 | M10x40 | 7/16x1"3/4 | 4150 | 0,89 |
| 207 | 1"1/2 | AFS10690ST | 48,6 | 38 | 69,85 | 93 | 35,71 | 95 | 38 | 25 | 21 | 13,5 | 56 | M12x45 | 1/2x1"3/4 | 4187 | 1,18 |
| 207 | 2" | AFS10890ST | 61,0 | 51 | 77,77 | 110 | 42,88 | 110 | 42 | 25 | 15 | 13,5 | 65 | M12x45 | 1/2x1"3/4 | 4225 | 2,06 |

SERIE 6000

| | | | | | | | | | | | | | | | | | |
|-----|-------|---------------|------|----|-------|-----|-------|-----|----|----|----|------|----|--------|------------|------|------|
| 414 | 1/2" | AFS40190ST012 | 21,5 | 13 | 40,49 | 54 | 18,24 | 60 | 20 | 16 | 16 | 9 | 37 | M8x30 | 5/16x1"1/4 | 4075 | 0,28 |
| 414 | 1/2" | AFS40190ST038 | 17,5 | 13 | 40,49 | 54 | 18,24 | 60 | 20 | 16 | 16 | 9 | 37 | M8x30 | 5/16x1"1/4 | 4075 | 0,29 |
| 414 | 3/4" | AFS40290ST | 28,0 | 19 | 50,80 | 70 | 23,80 | 70 | 28 | 19 | 17 | 11 | 43 | M10x40 | 3/8x1"1/2 | 4100 | 0,69 |
| 414 | 1" | AFS40390ST | 34,0 | 25 | 57,15 | 79 | 27,76 | 85 | 34 | 21 | 19 | 13 | 51 | M12x45 | 7/16x1"3/4 | 4131 | 1,11 |
| 414 | 1"1/4 | AFS40490ST | 42,8 | 32 | 66,68 | 93 | 31,75 | 95 | 38 | 25 | 19 | 15 * | 56 | M14x45 | 1/2x1"3/4 | 4150 | 1,45 |
| 414 | 1"1/2 | AFS40590ST | 48,6 | 38 | 79,38 | 110 | 36,50 | 110 | 42 | 25 | 24 | 17 | 65 | M16x50 | 5/8x2" | 4187 | 2,75 |
| 414 | 2" | AFS40690ST | 61,0 | 51 | 96,82 | 134 | 44,45 | 132 | 45 | 35 | 18 | 21 | 75 | M20x70 | 3/4x2"1/2 | 4225 | 3,55 |
| 414 | 2" | AFS40690SRE60 | 61,0 | 40 | 96,82 | 134 | 44,45 | 132 | 45 | 35 | 18 | 21 | 75 | M20x70 | 3/4x2"1/2 | 4225 | 3,55 |
| 414 | 2" | AFS40690SRE76 | 76,0 | 50 | 96,82 | 134 | 44,45 | 132 | 45 | 35 | 18 | 21 | 75 | M20x70 | 3/4x2"1/2 | 4225 | 3,55 |

PER QUESTA TIPOLOGIA DI PRODOTTO, VERIFICATE SEMPRE SE LA QUOTA "A" E "B" CORRISPONDE ALLA SCHEDULA DEL VOSTRO TUBO

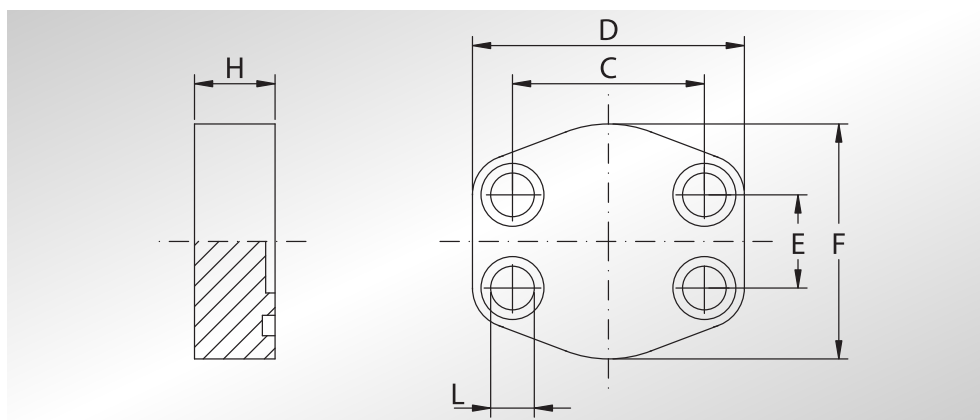
FOR THIS KIND OF PRODUCT, PLEASE ALWAYS VERIFY IF DIMENSION "A" AND "B" CORRESPOND TO THE SCHEDULE OF YOUR TUBE

| DESIGNAZIONE PER ORDINE DESIGNATION FOR ORDER | Materiale / Material | |
|--|----------------------|--------------------|
| | ST52.3 | AISI 316L |
| Solo flangia Only flange | AFS...90ST | AFX...90ST |
| Flangia completa di viti metriche, grower e o-ring Flange complete of metric screws, grower type washers and o-ring | AFS...90STM | AFX...90STM |
| Flangia completa di viti unc, grower e o-ring Flange complete of unc screws, grower type washers and o-ring | AFS...90STU | AFX...90STU |

NOTE / NOTES

* Per viti unc L=13,5
* For unc screws L=13,5

set viti unc disponibili solo in acciaio al carbonio.
unc screws set available only in carbon steel.



| Pressione max di esercizio raccomandata Kg/cm ² | Grandezza | Tipo | Dimensioni | | | | | | Viti | | Or tipo | Peso Kg |
|--|-----------|------|------------|---|---|---|---|---|--------|-----|---------|-----------|
| Maximum recommended working pressure Kg/cm ² | Size | Type | Dimensions | | | | | | Screws | | Or type | Weight Kg |
| | | | C | D | E | F | H | L | Metric | Unc | | |

SERIE 3000

| | | | | | | | | | | | | |
|-----|-------|------------|--------|-----|-------|-----|----|------|--------|------------|------|------|
| 345 | 1/2" | AFC080 | 38,10 | 56 | 17,48 | 46 | 16 | 9 | M8x30 | 5/16x1"1/4 | 4075 | 0,24 |
| 345 | 3/4" | AFC100 | 47,63 | 65 | 22,23 | 50 | 18 | 11 | M10x35 | 3/8x1"1/2 | 4100 | 0,30 |
| 345 | 1" | AFC102 | 52,37 | 70 | 26,19 | 60 | 19 | 11 | M10x35 | 3/8x1"1/2 | 4131 | 0,42 |
| 276 | 1"1/4 | AFC104 | 58,72 | 79 | 30,18 | 68 | 18 | 11,5 | M10x40 | 7/16x1"3/4 | 4150 | 0,55 |
| 207 | 1"1/2 | AFC106 | 69,85 | 93 | 35,71 | 78 | 20 | 13,5 | M12x45 | 1/2x1"3/4 | 4187 | 0,82 |
| 207 | 2" | AFC108 | 77,77 | 102 | 42,88 | 90 | 20 | 13,5 | M12x45 | 1/2x1"3/4 | 4225 | 1,08 |
| 172 | 2"1/2 | AFC110 | 88,90 | 114 | 50,80 | 105 | 20 | 13,5 | M12x45 | 1/2x1"3/4 | 4275 | 1,40 |
| 138 | 3" | AFC112 | 106,38 | 134 | 61,93 | 124 | 24 | 17,5 | M16x50 | 5/8x2" | 4337 | 2,38 |
| 34 | 3"1/2 | AFC114 | 120,65 | 152 | 69,85 | 136 | 22 | 17,5 | M16x50 | 5/8x2" | 4387 | 2,91 |
| 34 | 4" | AFC116 | 130,18 | 162 | 77,77 | 146 | 25 | 17,5 | M16x50 | 5/8x2" | 4437 | 3,98 |
| 34 | 5" | AFC118 (•) | 152,40 | 190 | 92,08 | 170 | 28 | 17,5 | M16x50 | 5/8x2" | 4537 | 4,00 |

SERIE 6000

| | | | | | | | | | | | | |
|-----|-------|------------|--------|-----|-------|-----|----|------|---------|------------|------|------|
| 414 | 1/2" | AFC401 | 40,49 | 56 | 18,24 | 48 | 16 | 9 | M8x30 | 5/16x1"1/4 | 4075 | 0,24 |
| 414 | 3/4" | AFC402 | 50,80 | 71 | 23,80 | 60 | 19 | 11 | M10x35 | 3/8x1"1/2 | 4100 | 0,42 |
| 414 | 1" | AFC403 | 57,15 | 81 | 27,76 | 70 | 24 | 13 | M12x45 | 7/16x1"3/4 | 4131 | 0,77 |
| 414 | 1"1/4 | AFC404 | 66,68 | 95 | 31,75 | 78 | 27 | 15 * | M14x45 | 1/2x1"3/4 | 4150 | 1,16 |
| 414 | 1"1/2 | AFC405 | 79,38 | 112 | 36,50 | 94 | 30 | 17 | M16x50 | 5/8x2" | 4187 | 1,80 |
| 414 | 2" | AFC406 | 96,82 | 134 | 44,45 | 114 | 30 | 21 | M20x60 | 3/4x2"1/2 | 4225 | 2,57 |
| 414 | 2"1/2 | AFC507 (•) | 123,80 | 180 | 58,70 | 152 | 45 | 26 | M24x80 | | 4275 | |
| 414 | 3" | AFC508 (•) | 152,40 | 208 | 71,40 | 178 | 55 | 33 | M30x100 | | 4337 | |

**DESIGNAZIONE PER ORDINE
DESIGNATION FOR ORDER**

| | Materiale / Material | |
|--|----------------------|-----------------|
| | ST52.3 | AISI 316L |
| Solo flangia Only flange | AFC... | AFCX... |
| Flangia completa di viti metriche, grower e o-ring Flange complete of metric screws, grower type washers and o-ring | AFC...M | AFCX...M |
| Flangia completa di viti unc, grower e o-ring Flange complete of unc screws, grower type washers and o-ring | AFC...U | AFCX...U |

NOTE / NOTES

* Per viti unc L=13,5
* For unc screws L=13,5

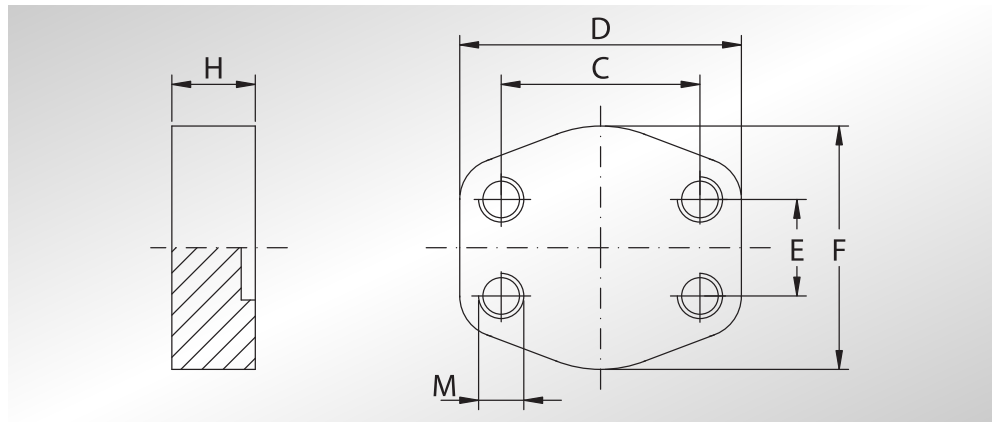
(•) Solo in ST52.3
(•) Only in ST52.3

set viti unc disponibili solo in acciaio al carbonio.
unc screws set available only in carbon steel.



CONTROFLANGE CIECHE

BLIND COUNTER-FLANGES



| Pressione max di esercizio raccomandata Kg/cm ² | Grandezza | Tipo | Dimensioni | | | | | | | Peso Kg | |
|--|-----------|------------|------------------------|-----|-------|-----|----|---------|------|-----------|--|
| Maximum recommended working pressure Kg/cm ² | Size | Type | Dimensions | | | | | | | Weight Kg | |
| | | | C | D | E | F | H | M | | | |
| SERIE 3000 | | | Metric Unc | | | | | | | | |
| 345 | 1/2" | GFC080 | 38,10 | 56 | 17,48 | 46 | 16 | M8x30 | 5/16 | 0,25 | |
| 345 | 3/4" | GFC100 | 47,63 | 65 | 22,23 | 50 | 18 | M10x35 | 3/8 | 0,34 | |
| 345 | 1" | GFC102 | 52,37 | 70 | 26,19 | 60 | 19 | M10x35 | 3/8 | 0,46 | |
| 276 | 1"1/4 | GFC104 | 58,72 | 79 | 30,18 | 68 | 18 | M10x40 | 7/16 | 0,60 | |
| 207 | 1"1/2 | GFC106 | 69,85 | 93 | 35,71 | 78 | 20 | M12x45 | 1/2 | 0,89 | |
| 207 | 2" | GFC108 | 77,77 | 102 | 42,88 | 90 | 20 | M12x45 | 1/2 | 1,15 | |
| 172 | 2"1/2 | GFC110 | 88,90 | 114 | 50,80 | 105 | 20 | M12x45 | 1/2 | 1,47 | |
| 138 | 3" | GFC112 | 106,38 | 134 | 61,93 | 124 | 24 | M16x50 | 5/8 | 2,47 | |
| 34 | 3"1/2 | GFC114 | 120,65 | 152 | 69,85 | 136 | 22 | M16x50 | 5/8 | 3,00 | |
| 34 | 4" | GFC116 | 130,18 | 162 | 77,77 | 146 | 25 | M16x50 | 5/8 | 3,98 | |
| 34 | 5" | GFC118 (•) | 152,40 | 190 | 92,08 | 170 | 28 | M16x50 | 5/8 | 4,10 | |
| SERIE 6000 | | | | | | | | | | | |
| 414 | 1/2" | GFC401 | 40,49 | 56 | 18,24 | 48 | 16 | M8x30 | 5/16 | 0,25 | |
| 414 | 3/4" | GFC402 | 50,80 | 71 | 23,80 | 60 | 19 | M10x35 | 3/8 | 0,46 | |
| 414 | 1" | GFC403 | 57,15 | 81 | 27,76 | 70 | 24 | M12x45 | 7/16 | 0,84 | |
| 414 | 1"1/4 | GFC404 | 66,68 | 95 | 31,75 | 78 | 27 | M14x45 | 1/2 | 1,24 | |
| 414 | 1"1/2 | GFC405 | 79,38 | 112 | 36,50 | 94 | 30 | M16x50 | 5/8 | 1,89 | |
| 414 | 2" | GFC406 | 96,82 | 134 | 44,45 | 114 | 30 | M20x60 | 3/4 | 2,69 | |
| 414 | 2"1/2 | GFC507 (•) | 123,80 | 180 | 58,70 | 152 | 45 | M24x100 | — | | |
| 414 | 3" | GFC508 (•) | 152,40 | 208 | 71,40 | 178 | 55 | M30x100 | — | | |

DESIGNAZIONE PER ORDINE DESIGNATION FOR ORDER

Controflangia con fori di fissaggio filettati metrici
Counter-flange with metric threaded fixing holes

Controflangia con fori di fissaggio filettati unc
Counter-flange with unc threaded fixing holes

Materiale / Material

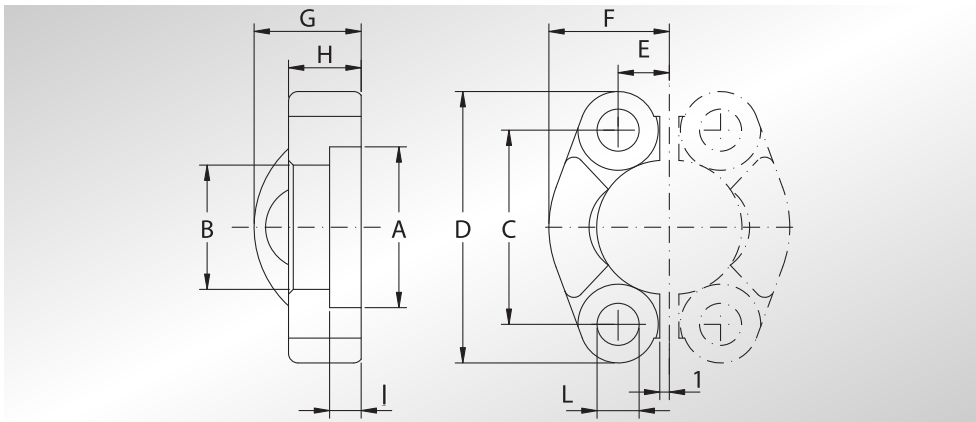
ST52.3 AISI 316L

GFC... GFCX...

GFC...U GFCX...U

NOTE / NOTES

- (•) Solo in ST52.3
- (•) Only in ST52.3



| Pressione max di esercizio raccomandata Kg/cm ² | Grandezza | Tipo | Dimensioni | | | | | | | | | | Viti | | Peso Kg |
|--|-----------|------|------------|---|---|---|---|---|---|---|---|---|--------|-----|---------|
| | | | Dimensions | | | | | | | | | | Screws | | |
| Maximum recommended working pressure Kg/cm ² | Size | Type | A | B | C | D | E | F | G | H | I | L | Metric | Unc | |

SERIE 3000

| | | | | | | | | | | | | | | | |
|-----|-------|-------------|--------|--------|--------|-----|-------|------|----|----|-------|-------|--------|------------|------|
| 345 | 1/2" | AFS301 | 30,96 | 24,26 | 38,10 | 54 | 8,74 | 22,8 | 19 | 13 | 6,22 | 8,75 | M8x30 | 5/16x1"1/4 | 0,12 |
| 345 | 3/4" | AFS302 | 38,89 | 32,13 | 47,63 | 65 | 11,13 | 25,9 | 22 | 14 | 6,22 | 10,75 | M10x35 | 3/8x1"1/2 | 0,16 |
| 345 | 1" | AFS303 | 45,24 | 38,48 | 52,37 | 70 | 13,08 | 29,2 | 24 | 16 | 7,49 | 10,75 | M10x35 | 3/8x1"1/2 | 0,22 |
| 276 | 1"1/4 | AFS304 | 51,59 | 43,69 | 58,72 | 79 | 15,09 | 36,3 | 22 | 14 | 7,49 | 12,00 | M10x35 | — | 0,30 |
| 276 | 1"1/4 | AFS304L1075 | 51,59 | 43,69 | 58,72 | 79 | 15,09 | 36,3 | 22 | 14 | 7,49 | 10,75 | M10x35 | — | 0,30 |
| 276 | 1"1/4 | AFS304L1275 | 51,59 | 43,69 | 58,72 | 79 | 15,09 | 36,3 | 22 | 14 | 7,49 | 12,75 | M12x35 | — | 0,30 |
| 207 | 1"1/2 | AFS305 | 61,09 | 50,80 | 69,85 | 94 | 17,86 | 41,1 | 25 | 16 | 7,49 | 13,50 | M12x35 | — | 0,43 |
| 207 | 1"1/2 | AFS305L1475 | 61,09 | 50,80 | 69,85 | 94 | 17,86 | 41,1 | 25 | 16 | 7,49 | 14,75 | M14x45 | — | 0,43 |
| 207 | 2" | AFS306 | 72,24 | 62,74 | 77,77 | 102 | 21,44 | 48,2 | 26 | 16 | 9,02 | 13,50 | M12x35 | — | 0,56 |
| 207 | 2" | AFS306L1475 | 72,24 | 62,74 | 77,77 | 102 | 21,44 | 48,2 | 26 | 16 | 9,02 | 14,75 | M14x45 | — | 0,54 |
| 172 | 2"1/2 | AFS307 | 84,94 | 74,93 | 88,90 | 114 | 25,40 | 54,1 | 38 | 19 | 9,02 | 13,50 | M12x40 | 1/2x1"3/4 | 0,74 |
| 172 | 2"1/2 | AFS307L1475 | 84,94 | 74,93 | 88,90 | 114 | 25,40 | 54,1 | 38 | 19 | 9,02 | 14,75 | M14x45 | — | 0,74 |
| 138 | 3" | AFS308 | 102,39 | 90,93 | 106,38 | 135 | 30,96 | 65,3 | 41 | 22 | 9,02 | 16,75 | M16x50 | 5/8x2" | 1,30 |
| 34 | 3"1/2 | AFS309 | 115,10 | 102,36 | 120,65 | 152 | 34,92 | 69,5 | 28 | 22 | 10,72 | 17,00 | M16x50 | 5/8x2" | 1,27 |
| 34 | 4" | AFS310 | 127,79 | 115,06 | 130,18 | 162 | 38,88 | 76,0 | 35 | 25 | 10,72 | 17,00 | M16x50 | 5/8x2" | 1,65 |
| 34 | 5" | AFS311 | 153,19 | 140,46 | 152,40 | 184 | 46,04 | 90,0 | 41 | 28 | 10,72 | 17,00 | M16x50 | 5/8x2" | 2,50 |

SERIE 6000

| | | | | | | | | | | | | | | | |
|-----|-------|-----------|-------|-------|-------|-----|-------|------|----|----|-------|-------|--------|------------|------|
| 414 | 1/2" | AFS601 | 32,54 | 24,64 | 40,49 | 56 | 9,12 | 23,6 | 22 | 16 | 7,24 | 8,75 | M8x30 | 5/16x1"1/4 | 0,16 |
| 414 | 3/4" | AFS602 | 42,06 | 32,51 | 50,80 | 71 | 11,91 | 30,0 | 28 | 19 | 8,26 | 11,00 | M10x35 | 3/8x1"1/2 | 0,34 |
| 414 | 1" | AFS603 | 48,41 | 38,86 | 57,15 | 81 | 13,89 | 34,8 | 33 | 24 | 9,02 | 13,00 | M12x45 | — | 0,51 |
| 414 | 1" | AFS603L12 | 48,41 | 38,86 | 57,15 | 81 | 13,89 | 34,8 | 33 | 24 | 9,02 | 12,00 | — | 7/16x1"3/4 | 0,51 |
| 414 | 1"1/4 | AFS604 | 54,76 | 44,45 | 66,68 | 95 | 15,88 | 38,6 | 38 | 27 | 9,78 | 15,00 | M14x45 | — | 0,80 |
| 414 | 1"1/4 | AFS604L13 | 54,76 | 44,45 | 66,68 | 95 | 15,88 | 38,6 | 38 | 27 | 9,78 | 13,50 | M12x45 | 1/2x1"3/4 | 0,80 |
| 414 | 1"1/2 | AFS605 | 64,29 | 51,56 | 79,38 | 113 | 18,26 | 47,5 | 43 | 30 | 12,07 | 17,00 | M16x50 | 5/8x2" | 1,44 |
| 414 | 2" | AFS606 | 80,16 | 67,56 | 96,82 | 133 | 22,23 | 56,9 | 52 | 37 | 12,07 | 21,00 | M20x70 | 3/4x2"1/2 | 2,10 |

| DESIGNAZIONE PER ORDINE DESIGNATION FOR ORDER | Materiale / Material | |
|---|----------------------|-------------------|
| | ST52.3 | AISI 316L |
| Solo coppia semiflanguia Only pair cut split flange | AFS... AFS...L | AFX... AFX...L |
| Coppia semiflanguia completa di viti metriche, grower e o-ring Pair cut split flange complete of metric screws, grower type washers and o-ring | AFS...M | AFX...M |
| Coppia semiflanguia completa di viti unc, grower e o-ring Pair cut split flange complete of unc screws, grower type washers and o-ring | AFS...U | AFX...U |

NOTE / NOTES

**QUESTO PRODOTTO E' VENDUTO A COPPIE
THIS PRODUCT IS SOLD BY PAIRS**

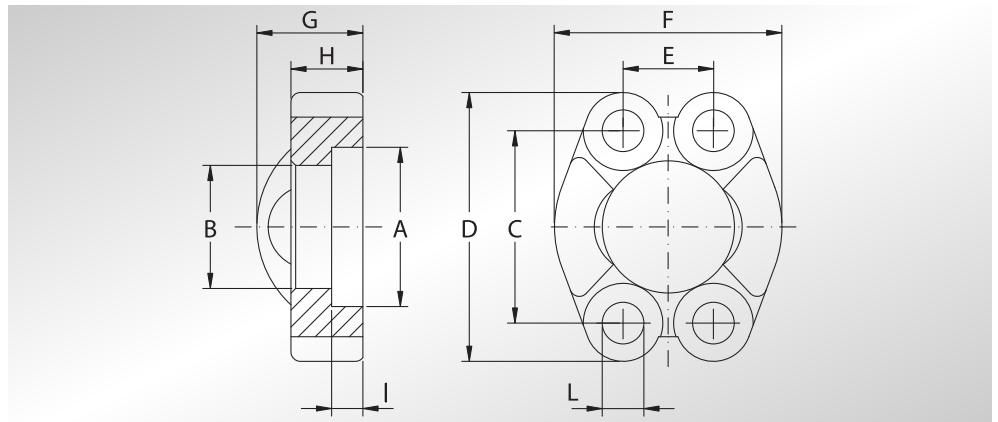
set viti unc disponibili solo in acciaio al carbonio.
unc screws set available only in carbon steel.

Rivestimento superficiale: zincatura gialla.
Superficial coating: yellow zinking.



**SEMIFLANGE
INTERE**

**UNCUT
SPLIT FLANGES**



| Pressione max di esercizio raccomandata Kg/cm ² | Grandezza | Tipo | Dimensioni | | | | | | | | | | Viti | | Peso Kg |
|--|-----------|------|------------|---|---|---|---|---|---|---|---|---|--------|-----|-----------|
| Maximum recommended working pressure Kg/cm ² | Size | Type | Dimensions | | | | | | | | | | Screws | | Weight Kg |
| | | | A | B | C | D | E | F | G | H | I | L | Metric | Unc | |

SERIE 3000

| | | | | | | | | | | | | | | | |
|-----|-------|--------------|--------|--------|--------|-----|-------|-------|----|----|-------|-------|--------|------------|------|
| 345 | 1/2" | AFSI301 | 30,96 | 24,26 | 38,10 | 54 | 17,48 | 45,6 | 19 | 13 | 6,22 | 8,75 | M8x30 | 5/16x1"1/4 | 0,12 |
| 345 | 3/4" | AFSI302 | 38,89 | 32,13 | 47,63 | 65 | 22,23 | 51,8 | 22 | 14 | 6,22 | 10,75 | M10x35 | 3/8x1"1/2 | 0,16 |
| 345 | 1" | AFSI303 | 45,24 | 38,48 | 52,37 | 70 | 26,19 | 58,4 | 24 | 16 | 7,49 | 10,75 | M10x35 | 3/8x1"1/2 | 0,22 |
| 276 | 1"1/4 | AFSI304 | 51,59 | 43,69 | 58,72 | 79 | 30,18 | 72,6 | 22 | 14 | 7,49 | 12,00 | M10x35 | — | 0,30 |
| 276 | 1"1/4 | AFSI304L1075 | 51,59 | 43,69 | 58,72 | 79 | 30,18 | 72,6 | 22 | 14 | 7,49 | 10,75 | M10x35 | — | 0,30 |
| 276 | 1"1/4 | AFSI304L1275 | 51,59 | 43,69 | 58,72 | 79 | 30,18 | 72,6 | 22 | 14 | 7,49 | 12,75 | M12x35 | — | 0,30 |
| 207 | 1"1/2 | AFSI305 | 61,09 | 50,80 | 69,85 | 94 | 35,71 | 82,2 | 25 | 16 | 7,49 | 13,50 | M12x35 | — | 0,43 |
| 207 | 1"1/2 | AFSI305L1475 | 61,09 | 50,80 | 69,85 | 94 | 35,71 | 82,2 | 25 | 16 | 7,49 | 14,75 | M14x45 | — | 0,43 |
| 207 | 2" | AFSI306 | 72,24 | 62,74 | 77,77 | 102 | 42,88 | 96,4 | 26 | 16 | 9,02 | 13,50 | M12x35 | — | 0,56 |
| 207 | 2" | AFSI306L1475 | 72,24 | 62,74 | 77,77 | 102 | 42,88 | 96,4 | 26 | 16 | 9,02 | 14,75 | M14x45 | — | 0,54 |
| 172 | 2"1/2 | AFSI307 | 84,94 | 74,93 | 88,90 | 114 | 50,80 | 108,2 | 38 | 19 | 9,02 | 13,50 | M12x40 | 1/2x1"3/4 | 0,74 |
| 172 | 2"1/2 | AFSI307L1475 | 84,94 | 74,93 | 88,90 | 114 | 50,80 | 108,2 | 38 | 19 | 9,02 | 14,75 | M14x45 | — | 0,74 |
| 138 | 3" | AFSI308 | 102,39 | 90,93 | 106,38 | 135 | 61,93 | 130,6 | 41 | 22 | 9,02 | 16,75 | M16x50 | 5/8x2" | 1,30 |
| 34 | 3"1/2 | AFSI309 | 115,10 | 102,36 | 120,65 | 152 | 69,85 | 139,0 | 28 | 22 | 10,72 | 17,00 | M16x50 | 5/8x2" | 1,27 |
| 34 | 4" | AFSI310 | 127,79 | 115,06 | 130,18 | 162 | 77,77 | 152,0 | 35 | 25 | 10,72 | 17,00 | M16x50 | 5/8x2" | 1,65 |
| 34 | 5" | AFSI311 | 153,19 | 140,46 | 152,40 | 184 | 92,08 | 180,0 | 41 | 28 | 10,72 | 17,00 | M16x50 | 5/8x2" | 2,50 |

SERIE 6000

| | | | | | | | | | | | | | | | |
|-----|-------|------------|-------|-------|-------|-----|-------|-------|----|----|-------|-------|--------|------------|------|
| 414 | 1/2" | AFSI601 | 32,54 | 24,64 | 40,49 | 56 | 18,24 | 47,2 | 22 | 16 | 7,24 | 8,75 | M8x30 | 5/16x1"1/4 | 0,16 |
| 414 | 3/4" | AFSI602 | 42,06 | 32,51 | 50,80 | 71 | 23,80 | 60,0 | 28 | 19 | 8,26 | 11,00 | M10x35 | 3/8x1"1/2 | 0,34 |
| 414 | 1" | AFSI603 | 48,41 | 38,86 | 57,15 | 81 | 27,76 | 69,6 | 33 | 24 | 9,02 | 13,00 | M12x45 | — | 0,51 |
| 414 | 1" | AFSI603L12 | 48,41 | 38,86 | 57,15 | 81 | 27,76 | 69,6 | 33 | 24 | 9,02 | 12,00 | — | 7/16x1"3/4 | 0,51 |
| 414 | 1"1/4 | AFSI604 | 54,76 | 44,45 | 66,68 | 95 | 31,75 | 77,2 | 38 | 27 | 9,78 | 15,00 | M14x45 | — | 0,80 |
| 414 | 1"1/4 | AFSI604L13 | 54,76 | 44,45 | 66,68 | 95 | 31,75 | 77,2 | 38 | 27 | 9,78 | 13,50 | M12x45 | 1/2x1"3/4 | 0,80 |
| 414 | 1"1/2 | AFSI605 | 64,29 | 51,56 | 79,38 | 113 | 36,50 | 95,0 | 43 | 30 | 12,07 | 17,00 | M16x50 | 5/8x2" | 1,44 |
| 414 | 2" | AFSI606 | 80,16 | 67,56 | 96,82 | 133 | 44,45 | 113,8 | 52 | 37 | 12,07 | 21,00 | M20x70 | 3/4x2"1/2 | 2,10 |

| DESIGNAZIONE PER ORDINE DESIGNATION FOR ORDER | Materiale / Material | |
|--|-----------------------------|-----------------------------|
| | ST52.3 | AISI 316L |
| Solo semiflanguia intera Only uncut split flange | AFSI... AFSI...L | AFXI... AFXI...L |
| Semiflanguia intera completa di viti metriche, grower e o-ring Uncut split flange complete of metric screws, grower type washers and o-ring | AFSI...M | AFXI...M |
| Semiflanguia intera completa di viti unc, grower e o-ring Uncut split flange complete of unc screws, grower type washers and o-ring | AFSI...U | AFXI...U |

NOTE / NOTES

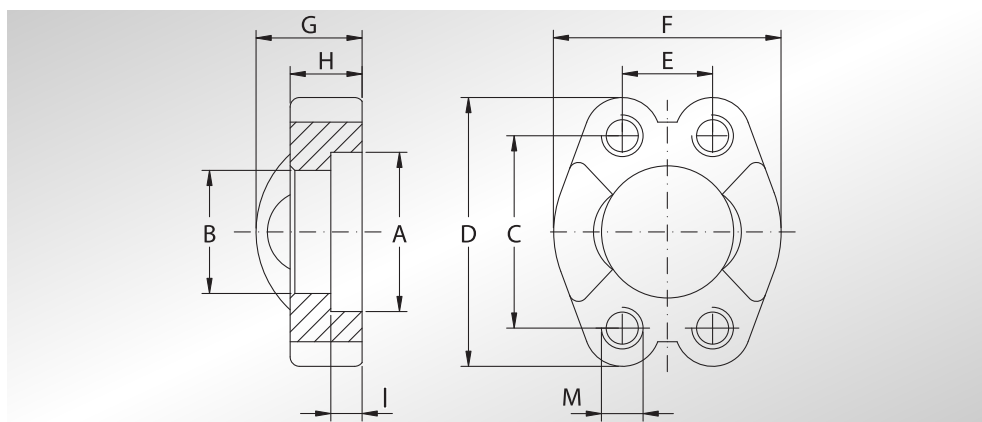
Rivestimento superficiale: zincatura gialla.
Superficial coating: yellow zinking.

set viti unc disponibili solo in acciaio al carbonio.
unc screws set available only in carbon steel.

**SEMIFLANGE
INTERE CON FORI
DI FISSAGGIO
FILETTATI METRICI**



**UNCUT SPLIT
FLANGES WITH
METRIC THREADED
FIXING HOLES**



| Pressione max di esercizio raccomandata Kg/cm ² | Grandezza | Tipo | Dimensioni | | | | | | | | | | Peso Kg |
|--|-----------|------|------------|---|---|---|---|---|---|---|---|---|-----------|
| Maximum recommended working pressure Kg/cm ² | Size | Type | Dimensions | | | | | | | | | | Weight Kg |
| | | | A | B | C | D | E | F | G | H | I | M | |

SERIE 3000

| | | | | | | | | | | | | | |
|-----|-------|---------|--------|--------|--------|-----|-------|-------|----|----|-------|-----|------|
| 345 | 1/2" | GFSI301 | 30,96 | 24,26 | 38,10 | 54 | 17,48 | 45,6 | 19 | 13 | 6,22 | M8 | 0,12 |
| 345 | 3/4" | GFSI302 | 38,89 | 32,13 | 47,63 | 65 | 22,23 | 51,8 | 22 | 14 | 6,22 | M10 | 0,16 |
| 345 | 1" | GFSI303 | 45,24 | 38,48 | 52,37 | 70 | 26,19 | 58,4 | 24 | 16 | 7,49 | M10 | 0,22 |
| 276 | 1"1/4 | GFSI304 | 51,59 | 43,69 | 58,72 | 79 | 30,18 | 72,6 | 22 | 14 | 7,49 | M10 | 0,30 |
| 207 | 1"1/2 | GFSI305 | 61,09 | 50,80 | 69,85 | 94 | 35,71 | 82,2 | 25 | 16 | 7,49 | M12 | 0,43 |
| 207 | 2" | GFSI306 | 72,24 | 62,74 | 77,77 | 102 | 42,88 | 96,4 | 26 | 16 | 9,02 | M12 | 0,56 |
| 172 | 2"1/2 | GFSI307 | 84,94 | 74,93 | 88,90 | 114 | 50,80 | 108,2 | 38 | 19 | 9,02 | M12 | 0,74 |
| 138 | 3" | GFSI308 | 102,39 | 90,93 | 106,38 | 135 | 61,93 | 130,6 | 41 | 22 | 9,02 | M16 | 1,30 |
| 34 | 3"1/2 | GFSI309 | 115,10 | 102,36 | 120,65 | 152 | 69,85 | 139,0 | 28 | 22 | 10,72 | M16 | 1,27 |
| 34 | 4" | GFSI310 | 127,79 | 115,06 | 130,18 | 162 | 77,77 | 152,0 | 35 | 25 | 10,72 | M16 | 1,65 |
| 34 | 5" | GFSI311 | 153,19 | 140,46 | 152,40 | 184 | 92,08 | 180,0 | 41 | 28 | 10,72 | M16 | 2,50 |

SERIE 6000

| | | | | | | | | | | | | | |
|-----|-------|---------|-------|-------|-------|-----|-------|-------|----|----|-------|-----|------|
| 414 | 1/2" | GFSI601 | 32,54 | 24,64 | 40,49 | 56 | 18,24 | 47,2 | 22 | 16 | 7,24 | M8 | 0,16 |
| 414 | 3/4" | GFSI602 | 42,06 | 32,51 | 50,80 | 71 | 23,80 | 60,0 | 28 | 19 | 8,26 | M10 | 0,34 |
| 414 | 1" | GFSI603 | 48,41 | 38,86 | 57,15 | 81 | 27,76 | 69,6 | 33 | 24 | 9,02 | M12 | 0,51 |
| 414 | 1"1/4 | GFSI604 | 54,76 | 44,45 | 66,68 | 95 | 31,75 | 77,2 | 38 | 27 | 9,78 | M14 | 0,80 |
| 414 | 1"1/2 | GFSI605 | 64,29 | 51,56 | 79,38 | 113 | 36,50 | 95,0 | 43 | 30 | 12,07 | M16 | 1,44 |
| 414 | 2" | GFSI606 | 80,16 | 67,56 | 96,82 | 133 | 44,45 | 113,8 | 52 | 37 | 12,07 | M20 | 2,10 |

**DESIGNAZIONE PER ORDINE
DESIGNATION FOR ORDER**

Semiflangua intera con fori di fissaggio metrici
Uncut split flange with metric threaded fixing holes

Materiale / Material

ST52.3 **AISI 316L**

GFSI...

GFXI...

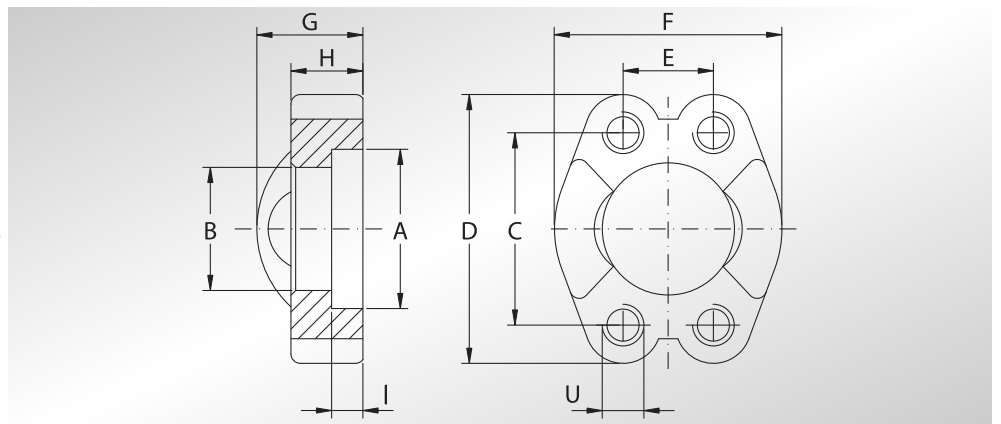
NOTE / NOTES

Rivestimento superficiale: zincatura gialla.
Superficial coating: yellow zinking.



**SEMIFLANGE
INTERE CON FORI
DI FISSAGGIO
FILETTATI UNC**

**UNCUT SPLIT FLANGES
WITH UNC THREADED
FIXING HOLES**



| Pressione max di esercizio raccomandata Kg/cm ² | Grandezza | Tipo | Dimensioni | | | | | | | | | | Peso Kg |
|--|-----------|----------|-------------------|--------|--------|-----|-------|-------|----|----|-------|------|-----------|
| | | | Dimensions | | | | | | | | | | |
| Maximum recommended working pressure Kg/cm ² | Size | Type | A | B | C | D | E | F | G | H | I | U | Weight Kg |
| | | | SERIE 3000 | | | | | | | | | | |
| 345 | 1/2" | GFSI301U | 30,96 | 24,26 | 38,10 | 54 | 17,48 | 45,6 | 19 | 13 | 6,22 | 5/16 | 0,12 |
| 345 | 3/4" | GFSI302U | 38,89 | 32,13 | 47,63 | 65 | 22,23 | 51,8 | 22 | 14 | 6,22 | 3/8 | 0,16 |
| 345 | 1" | GFSI303U | 45,24 | 38,48 | 52,37 | 70 | 26,19 | 58,4 | 24 | 16 | 7,49 | 3/8 | 0,22 |
| 276 | 1"1/4 | GFSI304U | 51,59 | 43,69 | 58,72 | 79 | 30,18 | 72,6 | 22 | 14 | 7,49 | 7/16 | 0,30 |
| 207 | 1"1/2 | GFSI305U | 61,09 | 50,80 | 69,85 | 94 | 35,71 | 82,2 | 25 | 16 | 7,49 | 1/2 | 0,43 |
| 207 | 2" | GFSI306U | 72,24 | 62,74 | 77,77 | 102 | 42,88 | 96,4 | 26 | 16 | 9,02 | 1/2 | 0,56 |
| 172 | 2"1/2 | GFSI307U | 84,94 | 74,93 | 88,90 | 114 | 50,80 | 108,2 | 38 | 19 | 9,02 | 1/2 | 0,74 |
| 138 | 3" | GFSI308U | 102,39 | 90,93 | 106,38 | 135 | 61,93 | 130,6 | 41 | 22 | 9,02 | 5/8 | 1,30 |
| 34 | 3"1/2 | GFSI309U | 115,10 | 102,36 | 120,65 | 152 | 69,85 | 139,0 | 28 | 22 | 10,72 | 5/8 | 1,27 |
| 34 | 4" | GFSI310U | 127,79 | 115,06 | 130,18 | 162 | 77,77 | 152,0 | 35 | 25 | 10,72 | 5/8 | 1,65 |
| 34 | 5" | GFSI311U | 153,19 | 140,46 | 152,40 | 184 | 92,08 | 180,0 | 41 | 28 | 10,72 | 5/8 | 2,50 |
| SERIE 6000 | | | | | | | | | | | | | |
| 414 | 1/2" | GFSI601U | 32,54 | 24,64 | 40,49 | 56 | 18,24 | 47,2 | 22 | 16 | 7,24 | 5/16 | 0,16 |
| 414 | 3/4" | GFSI602U | 42,06 | 32,51 | 50,80 | 71 | 23,80 | 60,0 | 28 | 19 | 8,26 | 3/8 | 0,34 |
| 414 | 1" | GFSI603U | 48,41 | 38,86 | 57,15 | 81 | 27,76 | 69,6 | 33 | 24 | 9,02 | 7/16 | 0,51 |
| 414 | 1"1/4 | GFSI604U | 54,76 | 44,45 | 66,68 | 95 | 31,75 | 77,2 | 38 | 27 | 9,78 | 1/2 | 0,80 |
| 414 | 1"1/2 | GFSI605U | 64,29 | 51,56 | 79,38 | 113 | 36,50 | 95,0 | 43 | 30 | 12,07 | 5/8 | 1,44 |
| 414 | 2" | GFSI606U | 80,16 | 67,56 | 96,82 | 133 | 44,45 | 113,8 | 52 | 37 | 12,07 | 3/4 | 2,10 |

**DESIGNAZIONE PER ORDINE
DESIGNATION FOR ORDER**

Semiflangua intera con fori di fissaggio unc
Uncut split flange with unc threaded fixing holes

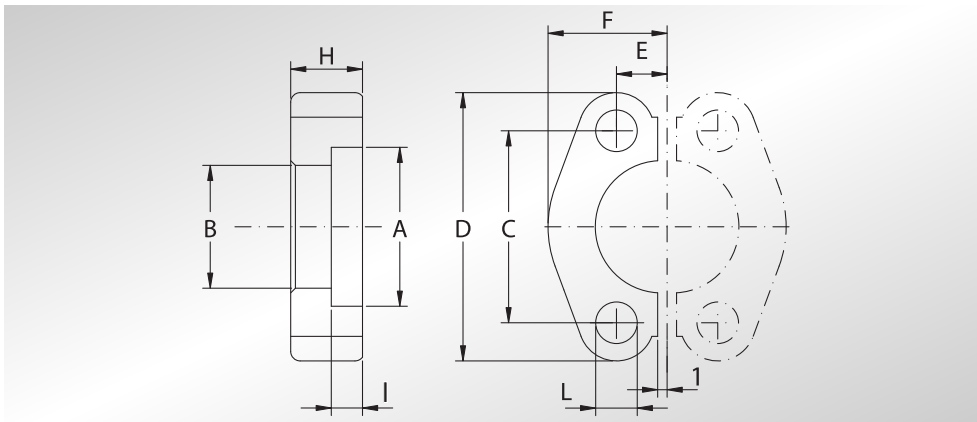
Materiale / Material

ST52.3 AISI 316L

GFSI...U GFXI...U

NOTE / NOTES

Rivestimento superficiale: zincatura gialla.
Superficial coating: yellow zinking.



| Pressione max di esercizio raccomandata Kg/cm ² | Grandezza | Tipo | Dimensioni | | | | | | | | | Viti | | Peso Kg |
|--|-----------|------|------------|---|---|---|---|---|---|---|---|--------|-----|-----------|
| Maximum recommended working pressure Kg/cm ² | Size | Type | Dimensions | | | | | | | | | Screws | | Weight Kg |
| | | | A | B | C | D | E | F | H | I | L | Metric | Unc | |

SERIE 3000

| | | | | | | | | | | | | | | |
|-----|-------|-------------|-------|-------|-------|-----|-------|------|----|------|-------|--------|------------|------|
| 345 | 1/2" | AFP301 | 30,96 | 24,26 | 38,10 | 54 | 8,74 | 22,8 | 13 | 6,22 | 8,75 | M8x30 | 5/16x1"1/4 | 0,10 |
| 345 | 3/4" | AFP302 | 38,89 | 32,13 | 47,63 | 65 | 11,13 | 25,9 | 14 | 6,22 | 10,75 | M10x35 | 3/8x1"1/2 | 0,15 |
| 345 | 1" | AFP303 | 45,24 | 38,48 | 52,37 | 70 | 13,08 | 29,2 | 16 | 7,49 | 10,75 | M10x35 | 3/8x1"1/2 | 0,20 |
| 276 | 1"1/4 | AFP304 | 51,59 | 43,69 | 58,72 | 79 | 15,09 | 36,3 | 16 | 7,49 | 12,00 | M10x35 | — | 0,27 |
| 276 | 1"1/4 | AFP304L1075 | 51,59 | 43,69 | 58,72 | 79 | 15,09 | 36,3 | 16 | 7,49 | 10,75 | M10x35 | — | 0,27 |
| 276 | 1"1/4 | AFP304L1275 | 51,59 | 43,69 | 58,72 | 79 | 15,09 | 36,3 | 16 | 7,49 | 12,75 | M12x35 | — | 0,27 |
| 207 | 1"1/2 | AFP305 | 61,09 | 50,80 | 69,85 | 94 | 17,86 | 41,1 | 16 | 7,49 | 13,50 | M12x35 | — | 0,39 |
| 207 | 1"1/2 | AFP305L1475 | 61,09 | 50,80 | 69,85 | 94 | 17,86 | 41,1 | 16 | 7,49 | 14,75 | M14x45 | — | 0,39 |
| 207 | 2" | AFP306 | 72,24 | 62,74 | 77,77 | 102 | 21,44 | 48,2 | 16 | 9,02 | 13,50 | M12x35 | — | 0,44 |
| 207 | 2" | AFP306L1475 | 72,24 | 62,74 | 77,77 | 102 | 21,44 | 48,2 | 16 | 9,02 | 14,75 | M14x45 | — | 0,50 |

SERIE 6000

| | | | | | | | | | | | | | | |
|-----|-------|-----------|-------|-------|-------|-----|-------|------|----|-------|-------|--------|------------|------|
| 414 | 1/2" | AFP601 | 32,54 | 24,64 | 40,49 | 56 | 9,12 | 23,6 | 16 | 7,24 | 8,75 | M8x30 | 5/16x1"1/4 | 0,16 |
| 414 | 3/4" | AFP602 | 42,06 | 32,51 | 50,80 | 71 | 11,91 | 30,0 | 19 | 8,26 | 11,00 | M10x35 | 3/8x1"1/2 | 0,28 |
| 414 | 1" | AFP603 | 48,41 | 38,86 | 57,15 | 81 | 13,89 | 34,8 | 24 | 9,02 | 13,00 | M12x45 | — | 0,43 |
| 414 | 1"1/4 | AFP604 | 54,76 | 44,45 | 66,68 | 95 | 15,88 | 38,6 | 27 | 9,78 | 15,00 | M14x45 | — | 0,65 |
| 414 | 1"1/4 | AFP604L13 | 54,76 | 44,45 | 66,68 | 95 | 15,88 | 38,6 | 27 | 9,78 | 13,50 | M12x45 | 1/2x1"3/4 | 0,65 |
| 414 | 1"1/2 | AFP605 | 64,29 | 51,56 | 79,38 | 113 | 18,26 | 47,5 | 30 | 12,07 | 17,00 | M16x50 | 5/8x2" | 1,23 |
| 414 | 2" | AFP606 | 80,16 | 67,56 | 96,82 | 133 | 22,23 | 56,9 | 37 | 12,07 | 21,00 | M20x70 | 3/4x2"1/2 | 2,02 |

| DESIGNAZIONE PER ORDINE DESIGNATION FOR ORDER | Materiale / Material |
|---|-----------------------------|
| Solo coppia semiflanguia piatta tagliata Only pair flat cut split flange | ST52.3 AFP... AFP...L |
| Coppia semiflanguia piatta completa di viti metriche, grower e o-ring Pair cut flat split flange complete of metric screws, grower type washers and o-ring | AFP...M |
| Coppia semiflanguia piatta completa di viti unc, grower e o-ring Pair cut flat split flange complete of unc screws, grower type washers and o-ring | AFP...U |

NOTE / NOTES

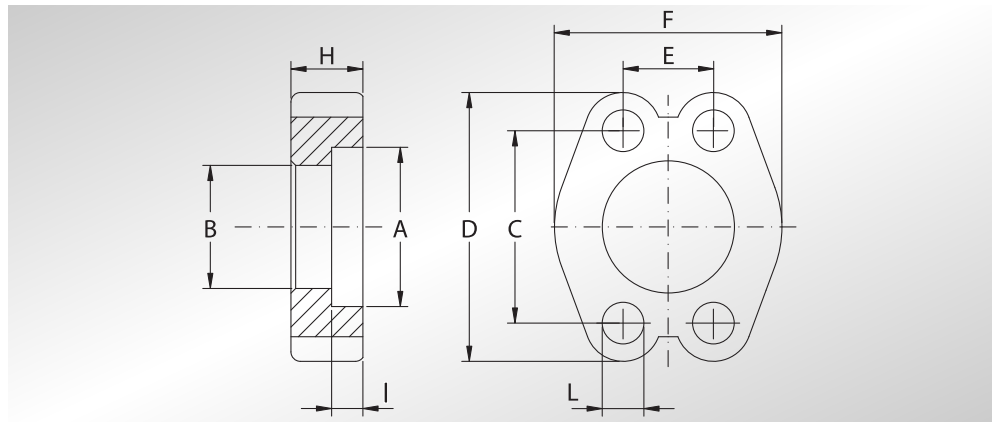
**QUESTO PRODOTTO E' VENDUTO A COPPIE
THIS PRODUCT IS SOLD BY PAIRS**

Rivestimento superficiale: zincatura gialla.
Superficial coating: yellow zinking.



SEMIFLANGE PIATTE INTERE

UNCUT FLAT SPLIT FLANGES



| Pressione max di esercizio raccomandata Kg/cm ² | Grandezza | Tipo | Dimensioni | | | | | | | | Viti | | Peso Kg | |
|--|-----------|------|------------|---|---|---|---|---|---|---|--------|--------|---------|-----------|
| | | | Dimensions | | | | | | | | Screws | | | |
| Maximum recommended working pressure Kg/cm ² | Size | Type | A | B | C | D | E | F | H | I | L | Metric | Unc | Weight Kg |

SERIE 3000

| | | | | | | | | | | | | | | |
|-----|-------|--------------|-------|-------|-------|-----|-------|------|----|------|-------|--------|------------|------|
| 345 | 1/2" | AFPI301 | 30,96 | 24,26 | 38,10 | 54 | 17,48 | 45,6 | 13 | 6,22 | 8,75 | M8x30 | 5/16x1"1/4 | 0,10 |
| 345 | 3/4" | AFPI302 | 38,89 | 32,13 | 47,63 | 65 | 22,23 | 51,8 | 14 | 6,22 | 10,75 | M10x35 | 3/8x1"1/2 | 0,15 |
| 345 | 1" | AFPI303 | 45,24 | 38,48 | 52,37 | 70 | 26,19 | 58,4 | 16 | 7,49 | 10,75 | M10x35 | 3/8x1"1/2 | 0,20 |
| 276 | 1"1/4 | AFPI304 | 51,59 | 43,69 | 58,72 | 79 | 30,18 | 72,6 | 16 | 7,49 | 12,00 | M10x40 | — | 0,27 |
| 276 | 1"1/4 | AFPI304L1075 | 51,59 | 43,69 | 58,72 | 79 | 30,18 | 72,6 | 16 | 7,49 | 10,75 | M10x40 | — | 0,27 |
| 276 | 1"1/4 | AFPI304L1275 | 51,59 | 43,69 | 58,72 | 79 | 30,18 | 72,6 | 16 | 7,49 | 12,75 | M12x35 | — | 0,27 |
| 207 | 1"1/2 | AFPI305 | 61,09 | 50,80 | 69,85 | 94 | 35,71 | 82,2 | 16 | 7,49 | 13,50 | M12x35 | — | 0,39 |
| 207 | 1"1/2 | AFPI305L1475 | 61,09 | 50,80 | 69,85 | 94 | 35,71 | 82,2 | 16 | 7,49 | 14,75 | M14x45 | — | 0,39 |
| 207 | 2" | AFPI306 | 72,24 | 62,74 | 77,77 | 102 | 42,88 | 96,4 | 16 | 9,02 | 13,50 | M12x35 | — | 0,44 |
| 207 | 2" | AFPI306L1475 | 72,24 | 62,74 | 77,77 | 102 | 42,88 | 96,4 | 16 | 9,02 | 14,75 | M14x45 | — | 0,50 |

SERIE 6000

| | | | | | | | | | | | | | | |
|-----|-------|------------|-------|-------|-------|-----|-------|-------|----|-------|-------|--------|------------|------|
| 414 | 1/2" | AFPI601 | 32,54 | 24,64 | 40,49 | 56 | 18,24 | 47,2 | 16 | 7,24 | 8,75 | M8x30 | 5/16x1"1/4 | 0,16 |
| 414 | 3/4" | AFPI602 | 42,06 | 32,51 | 50,80 | 71 | 23,80 | 60,0 | 19 | 8,26 | 11,00 | M10x35 | 3/8x1"1/2 | 0,28 |
| 414 | 1" | AFPI603 | 48,41 | 38,86 | 57,15 | 81 | 27,76 | 69,6 | 24 | 9,02 | 13,00 | M12x45 | — | 0,43 |
| 414 | 1"1/4 | AFPI604 | 54,76 | 44,45 | 66,68 | 95 | 31,75 | 77,2 | 27 | 9,78 | 15,00 | M14x45 | — | 0,65 |
| 414 | 1"1/4 | AFPI604L13 | 54,76 | 44,45 | 66,68 | 95 | 31,75 | 77,2 | 27 | 9,78 | 13,50 | M12x45 | 1/2x1"3/4 | 0,65 |
| 414 | 1"1/2 | AFPI605 | 64,29 | 51,56 | 79,38 | 113 | 36,50 | 95,0 | 30 | 12,07 | 17,00 | M16x50 | 5/8x2" | 1,23 |
| 414 | 2" | AFPI606 | 80,16 | 67,56 | 96,82 | 133 | 44,45 | 113,8 | 37 | 12,07 | 21,00 | M20x60 | 3/4x2"1/2 | 2,02 |

DESIGNAZIONE PER ORDINE DESIGNATION FOR ORDER

Solo semiflanguia pialta intera
Only uncut flat split flange

Semiflanguia pialta intera completa di viti metriche, grower e o-ring
Uncut flat split flange complete of metric screws, grower type washers and o-ring

Semiflanguia pialta intera completa di viti unc, grower e o-ring
Uncut flat split flange complete of unc screws, grower type washers and o-ring

Materiale / Material

ST52.3

AFPI...
AFPI...L

AFPI...M

AFPI...U

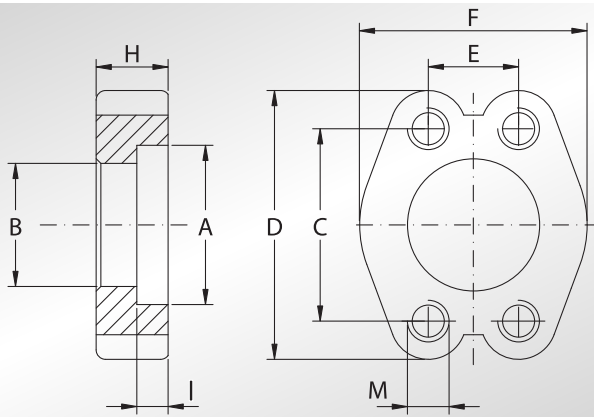
NOTE / NOTES

Rivestimento superficiale: zincatura gialla.
Superficial coating: yellow zinking.

**SEMIFLANGE PIATTE
INTERE CON FORI
DI FISSAGGIO
FILETTATI METRICI**



**UNCUT FLAT SPLIT
FLANGES WITH
METRIC THREADED
FIXING HOLES**



| Pressione max di esercizio raccomandata Kg/cm ² | Grandezza | Tipo | Dimensioni | | | | | | | | | Peso Kg |
|--|-----------|---------|------------|-------|-------|-----|-------|-------|----|-------|-----|-----------|
| Maximum recommended working pressure Kg/cm ² | Size | Type | Dimensions | | | | | | | | | Weight Kg |
| | | | A | B | C | D | E | F | H | I | M | |
| SERIE 3000 | | | | | | | | | | | | |
| 345 | 1/2" | GFPI301 | 30,96 | 24,26 | 38,10 | 54 | 17,48 | 45,6 | 13 | 6,22 | M8 | 0,10 |
| 345 | 3/4" | GFPI302 | 38,89 | 32,13 | 47,63 | 65 | 22,23 | 51,8 | 14 | 6,22 | M10 | 0,15 |
| 345 | 1" | GFPI303 | 45,24 | 38,48 | 52,37 | 70 | 26,19 | 58,4 | 16 | 7,49 | M10 | 0,20 |
| 276 | 1"1/4 | GFPI304 | 51,59 | 43,69 | 58,72 | 79 | 30,18 | 72,6 | 16 | 7,49 | M10 | 0,27 |
| 207 | 1"1/2 | GFPI305 | 61,09 | 50,80 | 69,85 | 94 | 35,71 | 82,2 | 16 | 7,49 | M12 | 0,39 |
| 207 | 2" | GFPI306 | 72,24 | 62,74 | 77,77 | 102 | 42,88 | 96,4 | 16 | 9,02 | M12 | 0,45 |
| SERIE 6000 | | | | | | | | | | | | |
| 414 | 1/2" | GFPI601 | 32,54 | 24,64 | 40,49 | 56 | 18,24 | 47,2 | 16 | 7,24 | M8 | 0,17 |
| 414 | 3/4" | GFPI602 | 42,06 | 32,51 | 50,80 | 71 | 23,80 | 60,0 | 19 | 8,26 | M10 | 0,29 |
| 414 | 1" | GFPI603 | 48,41 | 38,86 | 57,15 | 81 | 27,76 | 69,6 | 24 | 9,02 | M12 | 0,43 |
| 414 | 1"1/4 | GFPI604 | 54,76 | 44,45 | 66,68 | 95 | 31,75 | 77,2 | 27 | 9,78 | M14 | 0,65 |
| 414 | 1"1/2 | GFPI605 | 64,29 | 51,56 | 79,38 | 113 | 36,50 | 95,0 | 30 | 12,07 | M16 | 1,24 |
| 414 | 2" | GFPI606 | 80,16 | 67,56 | 96,82 | 133 | 44,45 | 113,8 | 37 | 12,07 | M20 | 2,03 |

**DESIGNAZIONE PER ORDINE
DESIGNATION FOR ORDER**

Semiflangua piatta intera con fori di fissaggio metrici
Uncut flat split flange with metric threaded fixing holes

Materiale / Material

ST52.3

GFPI...

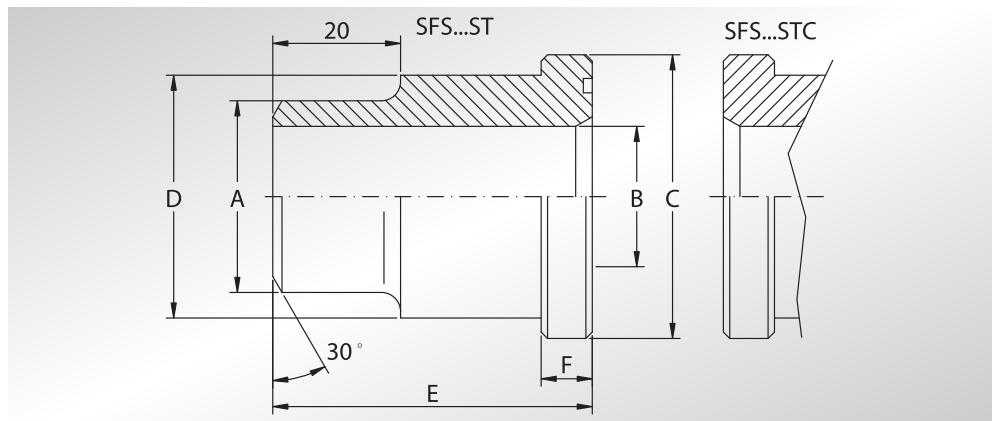
NOTE / NOTES

Rivestimento superficiale: zincatura gialla.
Superficial coating: yellow zinking.



CODOLI A SALDARE DI TESTA PER TUBO METRICO

WELD ON ADAPTERS FOR METRIC TUBE



| Pressione max di esercizio raccomandata Kg/cm ² | Grandezza | Tipo | Dimensioni | | | | | | Or tipo | Peso Kg |
|--|-----------|------|------------|---|---|---|---|---|---------|-----------|
| Maximum recommended working pressure Kg/cm ² | Size | Type | Dimensions | | | | | | Or type | Weight Kg |
| | | | A | B | C | D | E | F | | |

SERIE 3000

| | | | | | | | | | | |
|-----|-------|----------|-------|-----|-------|-------|----|-------|------|------|
| 345 | 1/2" | SFS301ST | 16 | 12 | 30,2 | 24 | 41 | 6,73 | 4075 | 0,08 |
| 345 | 3/4" | SFS302ST | 25 | 19 | 38,1 | 32 | 50 | 6,73 | 4100 | 0,16 |
| 345 | 1" | SFS303ST | 30 | 22 | 44,4 | 38 | 50 | 8,00 | 4131 | 0,23 |
| 276 | 1"1/4 | SFS304ST | 38 | 28 | 50,8 | 43 | 55 | 8,00 | 4150 | 0,30 |
| 207 | 1"1/2 | SFS305ST | 45 | 35 | 60,3 | 50 | 57 | 8,00 | 4187 | 0,40 |
| 207 | 2" | SFS306ST | 60 | 50 | 71,4 | 62 | 57 | 9,53 | 4225 | 0,50 |
| 172 | 2"1/2 | SFS307ST | 70 | 55 | 84,1 | 74 | 58 | 9,53 | 4275 | 0,80 |
| 138 | 3" | SFS308ST | 80 | 68 | 101,6 | 90 | 60 | 9,53 | 4337 | 1,10 |
| 34 | 3"1/2 | SFS309ST | 100 | 89 | 114,3 | 102 | 80 | 11,20 | 4387 | 1,40 |
| 34 | 4" | SFS310ST | 114,3 | 99 | 127,0 | 114,3 | 80 | 11,20 | 4437 | 1,75 |
| 34 | 5" | SFS311ST | 139,7 | 120 | 152,4 | 139,7 | 80 | 11,20 | 4537 | 2,62 |

SERIE 6000

| | | | | | | | | | | |
|-----|-------|----------|----|----|------|----|----|-------|------|------|
| 414 | 1/2" | SFS601ST | 16 | 12 | 31,8 | 24 | 34 | 7,75 | 4075 | 0,08 |
| 414 | 3/4" | SFS602ST | 25 | 18 | 41,3 | 32 | 38 | 8,76 | 4100 | 0,15 |
| 414 | 1" | SFS603ST | 30 | 22 | 47,6 | 38 | 40 | 9,53 | 4131 | 0,23 |
| 414 | 1"1/4 | SFS604ST | 38 | 27 | 54,0 | 44 | 45 | 10,29 | 4150 | 0,30 |
| 414 | 1"1/2 | SFS605ST | 45 | 32 | 63,5 | 51 | 50 | 12,57 | 4187 | 0,50 |
| 414 | 2" | SFS606ST | 60 | 45 | 79,4 | 67 | 58 | 12,57 | 4225 | 0,80 |

PER QUESTA TIPOLOGIA DI PRODOTTO, VERIFICATE SEMPRE SE LA QUOTA "A" E "B" CORRISPONDE ALLA SCHEDULA DEL VOSTRO TUBO

FOR THIS KIND OF PRODUCT, PLEASE ALWAYS VERIFY IF DIMENSION "A" AND "B" CORRESPOND TO THE SCHEDULE OF YOUR TUBE

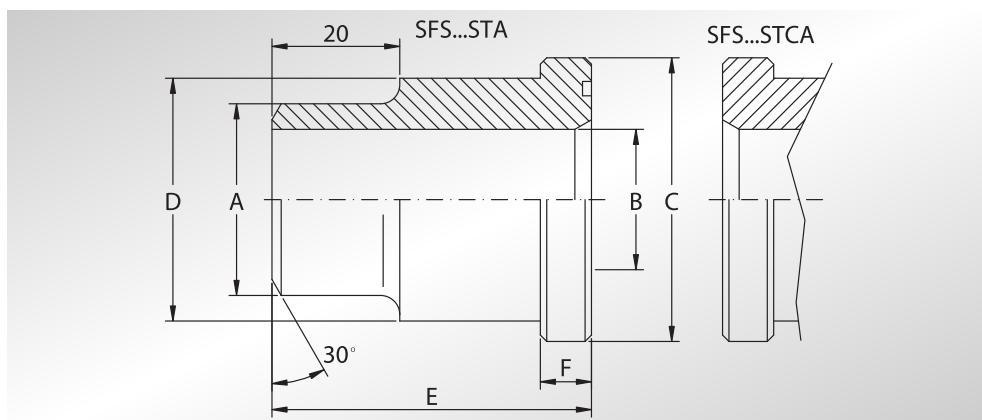
| DESIGNAZIONE PER ORDINE DESIGNATION FOR ORDER | Materiale / Material | |
|---|------------------------------|------------------|
| | A105 o similare (or similar) | AISI 316L |
| Codolo con sede o-ring Adapter with o-ring groove | SFS...ST | SFX...ST |
| Codolo senza sede o-ring Adapter without o-ring groove | SFS...STC | SFX...STC |

NOTE / NOTES

**CODOLI
A SALDARE DI
TESTA
PER TUBO GAS**



**WELD
ON ADAPTERS
FOR BSP TUBE**



| Pressione max di esercizio raccomandata Kg/cm ² | Grandezza | Tipo | Dimensioni | | | | | | Or tipo | Peso Kg |
|--|-----------|------|------------|---|---|---|---|---|---------|-----------|
| Maximum recommended working pressure Kg/cm ² | Size | Type | Dimensions | | | | | | Or type | Weight Kg |
| | | | A | B | C | D | E | F | | |

SERIE 3000

| | | | | | | | | | | |
|-----|-------|-------------|------|----|------|----|----|------|------|------|
| 345 | 1/2" | SFS301STA21 | 21,5 | 13 | 30,2 | 24 | 41 | 6,73 | 4075 | 0,08 |
| 345 | 3/4" | SFS302STA28 | 28,0 | 19 | 38,1 | 32 | 50 | 6,73 | 4100 | 0,16 |
| 345 | 1" | SFS303STA34 | 34,0 | 25 | 44,4 | 38 | 50 | 8,00 | 4131 | 0,23 |
| 276 | 1"1/4 | SFS304STA42 | 42,8 | 32 | 50,8 | 43 | 55 | 8,00 | 4150 | 0,30 |
| 207 | 1"1/2 | SFS305STA48 | 48,6 | 38 | 60,3 | 50 | 57 | 8,00 | 4187 | 0,40 |
| 207 | 2" | SFS306STA61 | 61,0 | 51 | 71,4 | 62 | 57 | 9,53 | 4225 | 0,50 |

SERIE 6000

| | | | | | | | | | | |
|-----|-------|-------------|------|----|------|----|----|-------|------|------|
| 414 | 1/2" | SFS601STA21 | 21,5 | 13 | 31,8 | 24 | 34 | 7,75 | 4075 | 0,08 |
| 414 | 3/4" | SFS602STA28 | 28,0 | 19 | 41,3 | 32 | 38 | 8,76 | 4100 | 0,15 |
| 414 | 1" | SFS603STA34 | 34,0 | 25 | 47,6 | 38 | 40 | 9,53 | 4131 | 0,23 |
| 414 | 1"1/4 | SFS604STA42 | 42,8 | 32 | 54,0 | 44 | 45 | 10,29 | 4150 | 0,30 |
| 414 | 1"1/2 | SFS605STA48 | 48,6 | 38 | 63,5 | 51 | 50 | 12,57 | 4187 | 0,50 |
| 414 | 2" | SFS606STA61 | 61,0 | 51 | 79,4 | 67 | 58 | 12,57 | 4225 | 0,80 |

**DESIGNAZIONE PER ORDINE
DESIGNATION FOR ORDER**

Materiale / Material

NOTE / NOTES

A105 o similare (or similar)

AISI 316L

Codolo con sede o-ring
Adapter with o-ring groove

SFS...STA

SFX...STA

Codolo senza sede o-ring
Adapter without o-ring groove

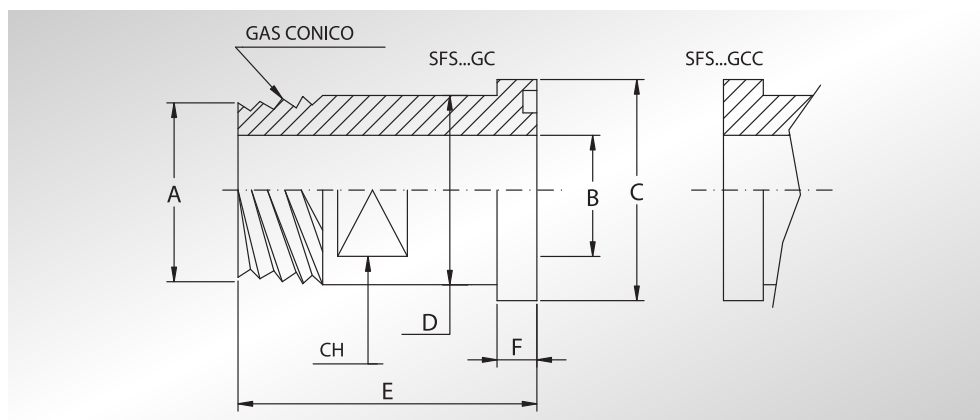
SFS...STCA

SFX...STCA



**CODOLI FILETTATI
GAS CONICO**

**BSP TAPERED
THREADED
ADAPTERS**



| Pressione max di esercizio raccomandata Kg/cm ² | Grandezza | Tipo | Dimensioni | | | | | | | Or tipo | Peso Kg |
|--|-----------|------|------------|---|---|---|---|---|----|---------|-----------|
| Maximum recommended working pressure Kg/cm ² | Size | Type | Dimensions | | | | | | | Or type | Weight Kg |
| | | | A | B | C | D | E | F | CH | | |

SERIE 3000

| | | | | | | | | | | | |
|-----|-------|----------|-------|----|------|----|----|------|----|------|------|
| 345 | 1/2" | SFS301GC | 1/2" | 12 | 30,2 | 24 | 50 | 6,73 | 19 | 4075 | 0,08 |
| 345 | 3/4" | SFS302GC | 3/4" | 17 | 38,1 | 32 | 55 | 6,73 | 27 | 4100 | 0,16 |
| 345 | 1" | SFS303GC | 1" | 22 | 44,4 | 38 | 60 | 8,00 | 32 | 4131 | 0,23 |
| 276 | 1"1/4 | SFS304GC | 1"1/4 | 27 | 50,8 | 43 | 65 | 8,00 | 41 | 4150 | 0,30 |
| 207 | 1"1/2 | SFS305GC | 1"1/2 | 32 | 60,3 | 50 | 70 | 8,00 | 46 | 4187 | 0,40 |
| 207 | 2" | SFS306GC | 2" | 40 | 71,4 | 62 | 75 | 9,53 | 55 | 4225 | 0,50 |

SERIE 6000

| | | | | | | | | | | | |
|-----|-------|----------|-------|----|------|----|----|-------|----|------|------|
| 414 | 1/2" | SFS601GC | 1/2" | 12 | 31,8 | 24 | 50 | 7,75 | 19 | 4075 | 0,08 |
| 414 | 3/4" | SFS602GC | 3/4" | 17 | 41,3 | 32 | 60 | 8,76 | 26 | 4100 | 0,15 |
| 414 | 1" | SFS603GC | 1" | 22 | 47,6 | 38 | 70 | 9,53 | 32 | 4131 | 0,23 |
| 414 | 1"1/4 | SFS604GC | 1"1/4 | 27 | 54,0 | 44 | 75 | 10,29 | 36 | 4150 | 0,30 |
| 414 | 1"1/2 | SFS605GC | 1"1/2 | 32 | 63,5 | 51 | 80 | 12,57 | 41 | 4187 | 0,50 |
| 414 | 2" | SFS606GC | 2" | 40 | 79,4 | 67 | 90 | 12,57 | 55 | 4225 | 0,80 |

**DESIGNAZIONE PER ORDINE
DESIGNATION FOR ORDER**

Codolo con sede o-ring
Adapter with o-ring groove

SFS...GC

SFX...GC

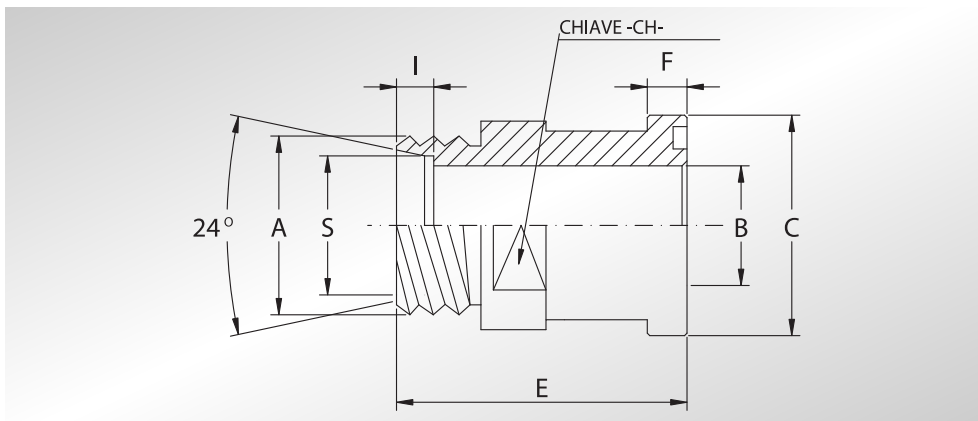
Codolo senza sede o-ring
Adapter without o-ring groove

SFS...GCC

SFX...GCC

NOTE / NOTES

Rivestimento superficiale: zincatura gialla.
Superficial coating: yellow zinking.



**CODOLI FILETTATI
METRICI ATTACCO
DIN 3901- 3902
ZINCATI**



**DIN 3901 - 3902
METRIC THREADED
YELLOW ZINKED
ADAPTERS**

| Pressione max di esercizio raccomandata Kg/cm ² | Grandezza | Tipo | Dimensioni | | | | | | | | Or tipo | Peso Kg |
|--|-----------|------|------------|---|---|---|---|---|---|----|---------|-----------|
| Maximum recommended working pressure Kg/cm ² | Size | Type | Dimensions | | | | | | | | Or type | Weight Kg |
| | | | A | B | C | E | F | I | S | CH | | |

SERIE 3000

| | | | | | | | | | | | | |
|-----|-------|------------|---------|----|------|----|------|------|----|----|------|------|
| 315 | 1/2" | SFCE301L15 | M22x1,5 | 12 | 30,2 | 48 | 6,73 | 7,0 | 15 | 24 | 4075 | 0,13 |
| 350 | 1/2" | SFCE301S16 | M24x1,5 | 12 | 30,2 | 50 | 6,73 | 8,5 | 16 | 24 | 4075 | 0,14 |
| 315 | 3/4" | SFCE302L18 | M26x1,5 | 15 | 38,1 | 53 | 6,73 | 7,5 | 18 | 30 | 4100 | 0,21 |
| 160 | 3/4" | SFCE302L22 | M30x2 | 19 | 38,1 | 53 | 6,73 | 7,5 | 22 | 30 | 4100 | 0,21 |
| 350 | 3/4" | SFCE302S20 | M30x2 | 16 | 38,1 | 57 | 6,73 | 10,5 | 20 | 30 | 4100 | 0,24 |
| 350 | 3/4" | SFCE302S25 | M36x2 | 17 | 38,1 | 57 | 6,73 | 12,0 | 25 | 30 | 4100 | 0,26 |
| 160 | 1" | SFCE303L22 | M30x2 | 19 | 44,4 | 56 | 8,00 | 7,5 | 22 | 27 | 4131 | 0,21 |
| 160 | 1" | SFCE303L28 | M36x2 | 24 | 44,4 | 54 | 8,00 | 7,5 | 28 | 36 | 4131 | 0,28 |
| 350 | 1" | SFCE303S25 | M36x2 | 20 | 44,4 | 58 | 8,00 | 12,0 | 25 | 36 | 4131 | 0,35 |
| 350 | 1" | SFCE303S30 | M42x2 | 24 | 44,4 | 63 | 8,00 | 13,5 | 30 | 36 | 4131 | 0,37 |
| 160 | 1"1/4 | SFCE304L28 | M36x2 | 22 | 50,8 | 58 | 8,00 | 7,5 | 28 | 36 | 4150 | 0,43 |
| 160 | 1"1/4 | SFCE304L35 | M45x2 | 30 | 50,8 | 58 | 8,00 | 10,5 | 35 | 41 | 4150 | 0,34 |
| 280 | 1"1/4 | SFCE304S25 | M36x2 | 20 | 50,8 | 60 | 8,00 | 12,0 | 25 | 41 | 4150 | 0,44 |
| 280 | 1"1/4 | SFCE304S30 | M42x2 | 25 | 50,8 | 62 | 8,00 | 13,5 | 30 | 41 | 4150 | 0,44 |
| 280 | 1"1/4 | SFCE304S38 | M52x2 | 28 | 50,8 | 66 | 8,00 | 16,0 | 38 | 41 | 4150 | 0,53 |
| 160 | 1"1/2 | SFCE305L42 | M52x2 | 36 | 60,3 | 64 | 8,00 | 11,0 | 42 | 46 | 4187 | 0,49 |
| 210 | 1"1/2 | SFCE305S38 | M52x2 | 32 | 60,3 | 70 | 8,00 | 16,0 | 38 | 46 | 4187 | 0,63 |

SERIE 6000

| | | | | | | | | | | | | |
|-----|-------|------------|---------|----|------|----|-------|------|----|----|------|------|
| 400 | 1/2" | SFCE601S16 | M24x1,5 | 12 | 31,8 | 53 | 7,75 | 8,5 | 16 | 24 | 4075 | 0,15 |
| 400 | 3/4" | SFCE602S16 | M24x1,5 | 12 | 41,3 | 59 | 8,76 | 8,5 | 16 | 30 | 4100 | 0,28 |
| 400 | 3/4" | SFCE602S20 | M30x2 | 16 | 41,3 | 61 | 8,76 | 10,5 | 20 | 30 | 4100 | 0,29 |
| 400 | 3/4" | SFCE602S25 | M36x2 | 17 | 41,3 | 63 | 8,76 | 12,0 | 25 | 30 | 4100 | 0,31 |
| 400 | 3/4" | SFCE602S30 | M42x2 | 18 | 41,3 | 64 | 8,76 | 13,5 | 30 | 36 | 4100 | 0,36 |
| 400 | 1" | SFCE603S25 | M36x2 | 20 | 47,6 | 72 | 9,53 | 12,0 | 25 | 36 | 4131 | 0,46 |
| 400 | 1" | SFCE603S30 | M42x2 | 24 | 47,6 | 74 | 8,53 | 13,5 | 30 | 36 | 4131 | 0,43 |
| 400 | 1"1/4 | SFCE604S30 | M42x2 | 25 | 54,0 | 79 | 10,29 | 13,5 | 30 | 41 | 4150 | 0,58 |
| 400 | 1"1/4 | SFCE604S38 | M52x2 | 30 | 54,0 | 83 | 10,29 | 16,0 | 38 | 46 | 4150 | 0,65 |
| 400 | 1"1/2 | SFCE605S38 | M52x2 | 30 | 63,5 | 89 | 12,57 | 16,0 | 38 | 46 | 4187 | 0,94 |

**DESIGNAZIONE PER ORDINE
DESIGNATION FOR ORDER**

Codolo con sede o-ring
Adapter with o-ring groove

Materiale / Material
A105 o similare (or similar)

SFCE...L/S

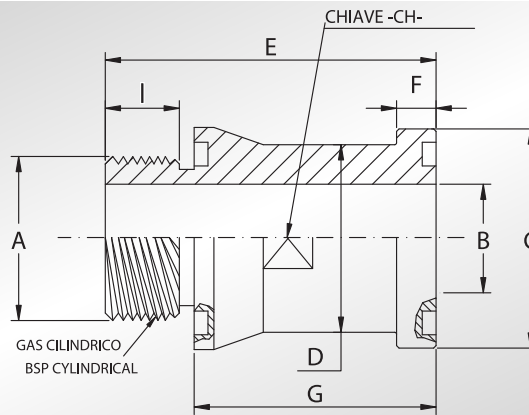
NOTE / NOTES

Rivestimento superficiale: zincatura gialla.
Superficial coating: yellow zinking.



**CODOLI FILETTATI GAS
CILINDRICO DOPPIA
SEDE O-RING**

**BSP CYLINDRICAL
THREADED ADAPTERS
WITH DOUBLE
O-RING SEAT**



| Pressione max di esercizio raccomandata Kg/cm ² | Grandezza | Tipo | Dimensioni | | | | | | | | | | Or tipo | Peso Kg |
|--|-----------|------------|-------------------|----|------|----|----|-------|----|----|----|---------|-----------|---------|
| | | | Dimensions | | | | | | | | | | | |
| Maximum recommended working pressure Kg/cm ² | Size | Type | A | B | C | D | E | F | G | I | CH | Or type | Weight Kg | |
| | | | SERIE 3000 | | | | | | | | | | | |
| 345 | 1/2" | SFS301G20R | 1/2" | 12 | 30,2 | 24 | 50 | 6,73 | 35 | 12 | 22 | 4075 | 0,08 | |
| 345 | 3/4" | SFS302G20R | 3/4" | 15 | 38,1 | 32 | 53 | 6,73 | 37 | 13 | 27 | 4100 | 0,16 | |
| 345 | 1" | SFS303G20R | 1" | 22 | 44,4 | 38 | 67 | 8,00 | 49 | 15 | 36 | 4131 | 0,23 | |
| 276 | 1"1/4 | SFS304G20R | 1"1/4 | 27 | 50,8 | 43 | 64 | 8,00 | 45 | 15 | 41 | 4150 | 0,30 | |
| 207 | 1"1/2 | SFS305G20R | 1"1/2 | 32 | 60,3 | 49 | 72 | 8,00 | 50 | 18 | 46 | 4187 | 0,40 | |
| 207 | 2" | SFS306G20R | 2" | 40 | 71,4 | 61 | 74 | 9,53 | 52 | 18 | 55 | 4225 | 0,50 | |
| SERIE 6000 | | | | | | | | | | | | | | |
| 414 | 1/2" | SFS601G20R | 1/2" | 12 | 31,8 | 24 | 50 | 7,75 | 35 | 12 | 22 | 4075 | 0,08 | |
| 414 | 3/4" | SFS602G20R | 3/4" | 17 | 41,3 | 32 | 60 | 8,76 | 43 | 14 | 27 | 4100 | 0,15 | |
| 414 | 1" | SFS603G20R | 1" | 22 | 47,6 | 38 | 70 | 9,53 | 52 | 15 | 36 | 4131 | 0,23 | |
| 414 | 1"1/4 | SFS604G20R | 1"1/4 | 27 | 54,0 | 44 | 75 | 10,29 | 56 | 15 | 41 | 4150 | 0,30 | |
| 414 | 1"1/2 | SFS605G20R | 1"1/2 | 32 | 63,5 | 51 | 82 | 12,57 | 60 | 18 | 46 | 4187 | 0,50 | |
| 414 | 2" | SFS606G20R | 2" | 40 | 79,4 | 67 | 94 | 12,57 | 72 | 18 | 55 | 4225 | 0,80 | |

| DESIGNAZIONE PER ORDINE DESIGNATION FOR ORDER | Materiale / Material | |
|--|------------------------------|-----------|
| | A105 o similare (or similar) | AISI 316L |

Codolo filettato gas cilindrico con doppia sede o-ring
BSP cylindrical adapter threaded with double o-ring seat

SFS...G20R

SFX...G20R

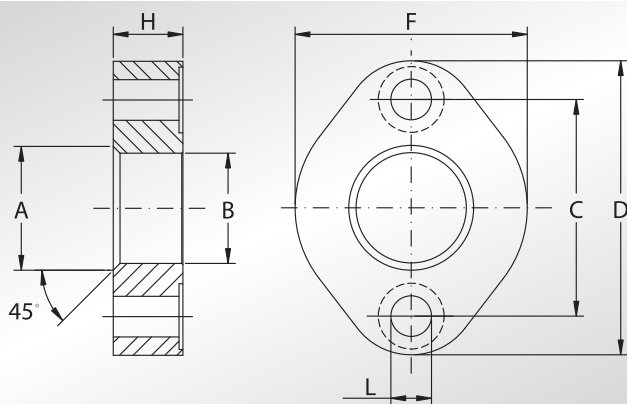
NOTE / NOTES

Rivestimento superficiale: zincatura gialla.
Superficial coating: yellow zinking.

**FLANGE OVALI CON
FORO PASSANTE**



**OVAL FLANGES
WITH THROUGH
HOLE**



| Pressione max di esercizio raccomandata Kg/cm ² | Grandezza | Tipo | Dimensioni | | | | | | | Peso Kg |
|--|-----------|------|------------|---|---|---|---|---|---|-----------|
| Maximum recommended working pressure Kg/cm ² | Size | Type | Dimensions | | | | | | | Weight Kg |
| | | | A | B | C | D | F | H | L | |

SERIE 6000

| | | | | | | | | | | |
|-----|-------|-----------|----|------|-------|-----|----|----|------|------|
| 414 | 1/2" | OVA401A20 | 22 | 20,5 | 44,40 | 60 | 48 | 14 | 8,5 | 0,18 |
| 414 | 1/2" | OVA401A23 | 27 | 24 | 44,40 | 60 | 48 | 14 | 8,5 | 0,18 |
| 414 | 3/4" | OVA401A27 | 32 | 28,5 | 56,10 | 76 | 60 | 18 | 10,5 | 0,34 |
| 414 | 1" | OVA401A37 | 43 | 37,5 | 63,60 | 88 | 70 | 22 | 12,5 | 0,52 |
| 414 | 1"1/4 | OVA404A44 | 49 | 44 | 73,90 | 103 | 78 | 25 | 14,5 | 0,75 |

**DESIGNAZIONE PER ORDINE
DESIGNATION FOR ORDER**

Materiale / Material

NOTE / NOTES

Solo flangia
Only flange

ST52.3

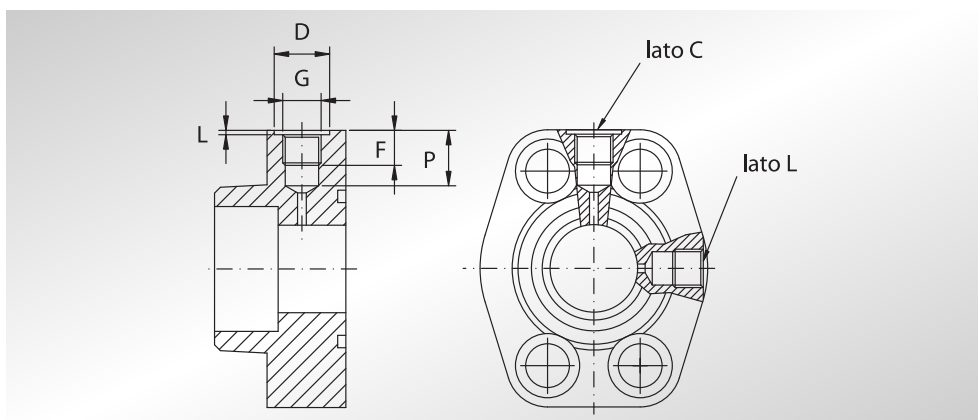
OVA...A

Nella fornitura non sono previste viti di fissaggio.
In our supply screws are not foreseen.



**TABELLA
INFORMATIVA PER
FORO
CONTROLLO
PRESSIONE**

**INFORMATIVE
TABLE FOR
HOLE TO CHECK
PRESSURE**



| Tipo | Dimensioni | | | | |
|------|------------|----|------|-----|------|
| Type | Dimensions | | | | |
| | G | D | F | L | P |
| M10 | M10x1 | 15 | 8,0 | 1,5 | 13,5 |
| M12 | M12x1,5 | 18 | 12,0 | 1,5 | 18,5 |
| M14 | M14x1,5 | 20 | 12,0 | 1,5 | 18,5 |
| M16 | M16x1,5 | 22 | 12,0 | 1,5 | 18,5 |
| G18 | G1/8 | 15 | 10,0 | 1,5 | 16,5 |
| G14 | G1/4 | 19 | 12,0 | 1,5 | 18,5 |
| G38 | G3/8 | 23 | 13,0 | 1,5 | 18,5 |

| SAE | Tipo flangia | Grandezza foro eseguibile |
|----------------------|--------------|--------------------------------|
| Nom. Flange size in. | Flange type | Size hole which can be made on |

SERIE 3000

| | | |
|-------|------------|---|
| 1" | AFS/GFS102 | M10 - G18 |
| 1"1/4 | AFS/GFS104 | M10 - M12 - G18 |
| 1"1/2 | AFS/GFS106 | M10 - M12 - M14 - G18 - G14 |
| 2" | AFS/GFS108 | M10 - M12 - M14 - G18 - G14 |
| 2"1/2 | AFS/GFS110 | M10 - M12 - M14 - G18 - G14 |
| 3" | AFS/GFS112 | M10 - M12 - M14 - M16 - G18 - G14 - G38 |
| 3"1/2 | AFS/GFS114 | M10 - M12 - M14 - M16 - G18 - G14 - G38 |
| 4" | AFS/GFS116 | M10 - M12 - M14 - M16 - G18 - G14 - G38 |

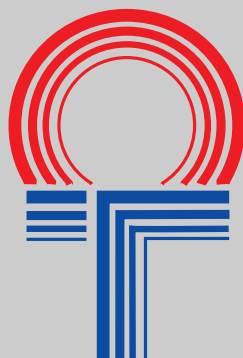
SERIE 6000

| | | |
|-------|------------|---|
| 1" | AFS/GFS403 | M10 - M12 - G18 |
| 1"1/4 | AFS/GFS404 | M10 - M12 - G18 |
| 1"1/2 | AFS/GFS405 | M10 - M12 - M14 - G18 - G14 |
| 2" | AFS/GFS406 | M10 - M12 - M14 - M16 - G18 - G14 - G38 |

| DESIGNAZIONE PER ORDINE DESIGNATION FOR ORDER | Materiale / Material ST52.3 |
|--|--------------------------------|
| Flangia con foro lato corto Flange with hole short side | AFS...(+M/G...C) |
| Controflangia con foro lato corto Counter-flange with hole short side | GFS...(+M/G...C) |
| Flangia con foro lato lungo Flange with hole long side | AFS...(+M/G...L) |
| Controflangia con foro lato lungo Counter-flange with hole long side | GFS...(+M/G...L) |

**TABELLE TECNICHE PER
ASSIEMI GRUPPI SEMIFLANGE**

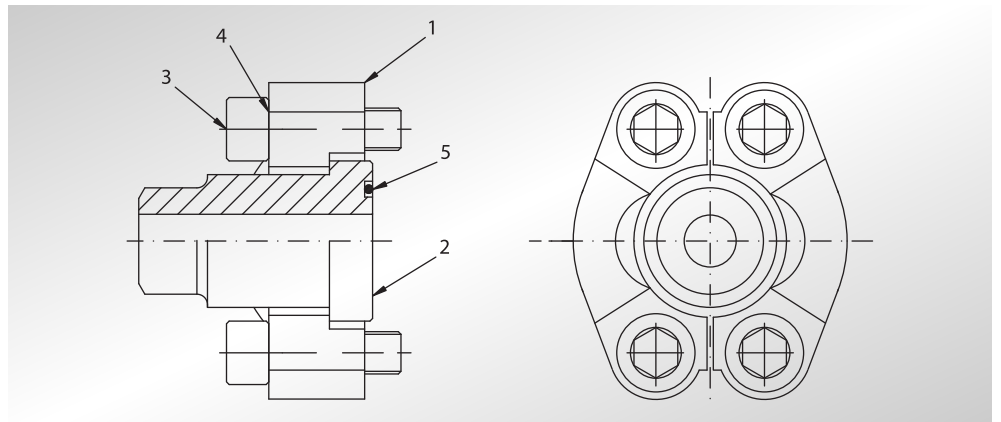
**TECHNICAL TABLES FOR
SPLIT FLANGES GROUP ASSEMBLING**





GRUPPO SEMIFLANGIA TAGLIATA

GROUP CUT SPLIT FLANGE



DISTINTA COMPONENTI - LIST OF COMPONENTS

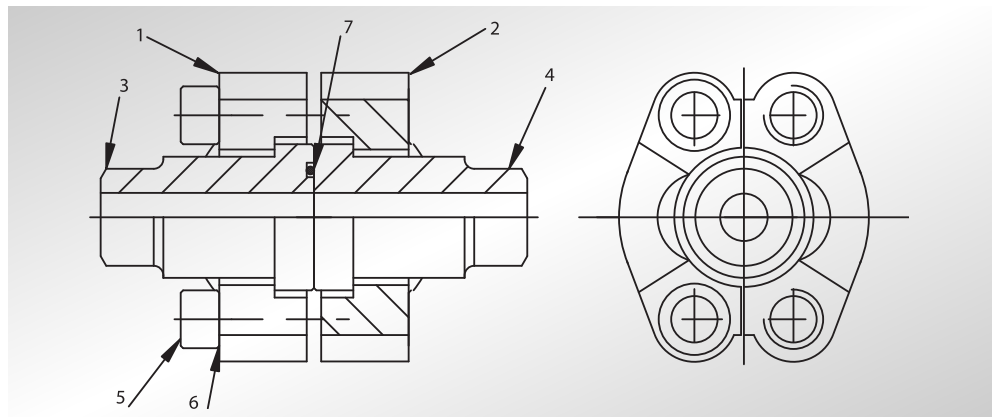
AFS...STM

| Pos. | Q.tà | Codice O.T. | Descrizione | Materiale | Riferimento |
|------|------|-------------|---|-----------|-------------|
| Pos. | Q.ty | O.T. code | Description | Material | Reference |
| 5 | 1 | OR.... | O-RING | NBR70 | |
| 4 | 4 | GROWER.. | GROWER | FE | |
| 3 | 4 | M..x... | VITE / SCREW | CL.8.8 | |
| 2 | 1 | SFS...ST | CODOLO / ADAPTER | A105 | PG. 60 / 61 |
| 1 | 1 | AFS... | SEMIFLANGIA TAGLIATA / CUT SPLIT FLANGE | ST52.3 | PG. 53 |



DOPPIA SEMIFLANGIA TAGLIATA

DOUBLE CUT SPLIT FLANGE



DISTINTA COMPONENTI - LIST OF COMPONENTS

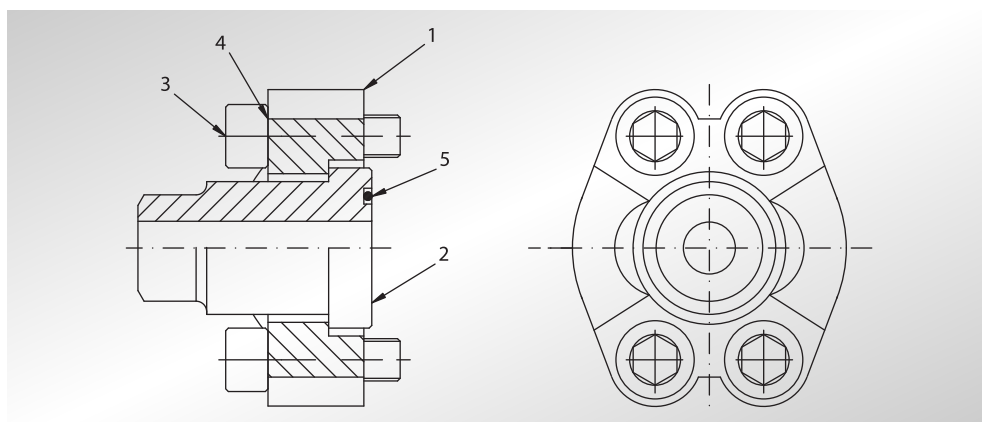
DFS...STM

| Pos. | Q.tà | Codice O.T. | Descrizione | Materiale | Riferimento |
|------|------|-------------|---|-----------|-------------|
| Pos. | Q.ty | O.T. code | Description | Material | Reference |
| 7 | 1 | OR.... | O-RING | NBR70 | |
| 6 | 4 | GROWER.. | GROWER | FE | |
| 5 | 4 | M..x... | VITE / SCREW | CL.8.8 | |
| 4 | 1 | SFS...STC | CONTROCODOLO / COUNTER ADAPTER | A105 | PG. 60 / 61 |
| 3 | 1 | SFS...ST | CODOLO / ADAPTER | A105 | PG. 60 / 61 |
| 2 | 1 | GFSI... | SEMIFLANGIA FILETTATA / THREADED SPLIT FLANGE | ST52.3 | PG. 55 |
| 1 | 1 | AFS... | SEMIFLANGIA TAGLIATA / CUT SPLIT FLANGE | ST52.3 | PG. 53 |

**GRUPPO
SEMIFLANGIA
INTERA**



**GROUP
UNCUT SPLIT
FLANGE**



DISTINTA COMPONENTI - LIST OF COMPONENTS

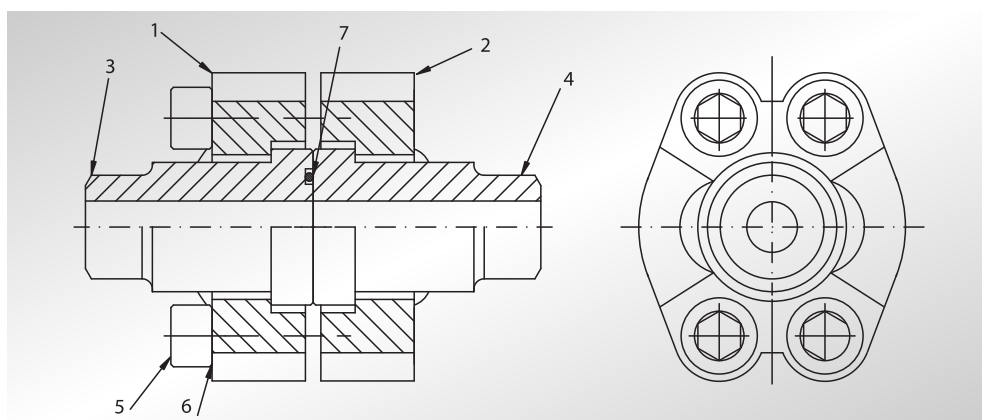
AFSI...STM

| Pos. | Q.tà | Codice O.T. | Descrizione | Materiale | Riferimento |
|------|------|-------------|--|-----------|-------------|
| Pos. | Q.ty | O.T. code | Description | Material | Reference |
| 5 | 1 | OR.... | O-RING | NBR70 | |
| 4 | 4 | GROWER.. | GROWER | FE | |
| 3 | 4 | M..x... | VITE / SCREW | CL.8.8 | |
| 2 | 1 | SFS...ST | CODOLO / ADAPTER | A105 | PG. 60 / 61 |
| 1 | 1 | AFSI... | SEMIFLANGIA INTERA / UN-cut SPLIT FLANGE | ST52.3 | PG. 54 |

**DOPPIA
SEMIFLANGIA
INTERA**



**DOUBLE
UNCUT SPLIT
FLANGE**



DISTINTA COMPONENTI - LIST OF COMPONENTS

DFSI...STM

| Pos. | Q.tà | Codice O.T. | Descrizione | Materiale | Riferimento |
|------|------|-------------|---|-----------|-------------|
| Pos. | Q.ty | O.T. code | Description | Material | Reference |
| 7 | 1 | OR.... | O-RING | NBR70 | |
| 6 | 4 | GROWER.. | GROWER | FE | |
| 5 | 4 | M..x... | VITE / SCREW | CL.8.8 | |
| 4 | 1 | SFS...STC | CONTROCODOLO / COUNTER ADAPTER | A105 | PG. 60 / 61 |
| 3 | 1 | SFS...ST | CODOLO / ADAPTER | A105 | PG. 60 / 61 |
| 2 | 1 | GFSI... | SEMIFLANGIA FILETTATA / THREADED SPLIT FLANGE | ST52.3 | PG. 55 |
| 1 | 1 | AFSI... | SEMIFLANGIA INTERA / UN-cut SPLIT FLANGE | ST52.3 | PG. 54 |



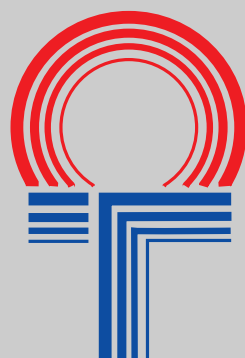
NOTE

NOTES

A large area of horizontal grey lines, intended for writing notes.

**TABELLE TECNICHE PER
RACCORDI POMPA**

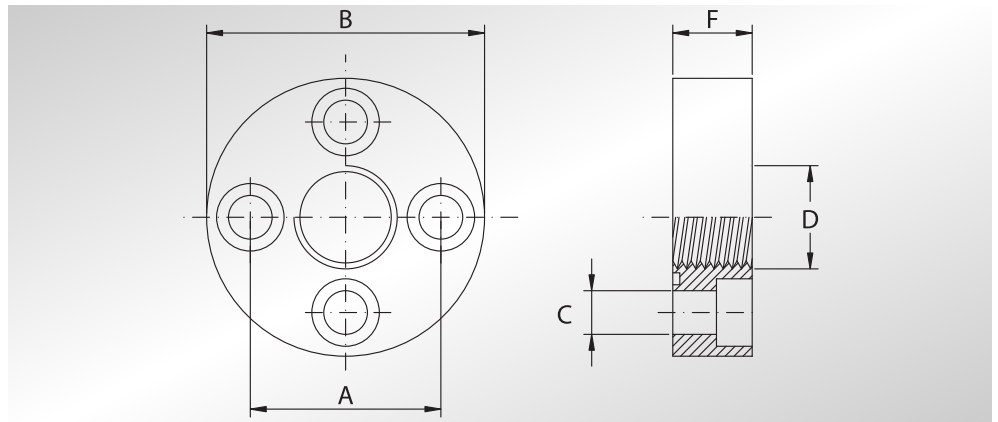
**TECHNICAL TABLES FOR
PUMPS CONNECTORS**





RACCORDI POMPA TIPO RP

STRAIGHT CONNECTORS RP TYPE



| Pressione max di esercizio raccomandata Kg/cm ² | Gruppo pompa | Tipo | Dimensioni | | | | | Viti Metriche | Or tipo | Peso Kg |
|--|--------------|-------|------------|----|------|-----------|------|---------------|---------|-----------|
| Maximum recommended working pressure Kg/cm ² | Pump group | Type | Dimensions | | | | | Metric screws | Or type | Weight Kg |
| | | | A | B | C | D | F | | | |
| 300 | 1 | RP1 | 30 | 45 | 6,5 | 3/8" GAS | 11,5 | M6x16 | 2075 | 0,10 |
| 300 | 2 | RP2 | 40 | 58 | 8,5 | 1/2" GAS | 14 | M8x20 | 2100 | 0,20 |
| 300 | 3A | RP3A | 51 | 76 | 10,5 | 3/4" GAS | 18 | M10x25 | 3125 | 0,46 |
| 300 | 3B | RP3B | 56 | 76 | 10,5 | 3/4" GAS | 18 | M10x25 | 3125 | 0,46 |
| 300 | 3,5A | RP35A | 62 | 88 | 10,5 | 1" GAS | 20 | M10x25A | 144 | 0,70 |
| 300 | 3,5B | RP35B | 62 | 88 | 12,5 | 1" GAS | 20 | M12x25 | 144 | 0,68 |
| 300 | 4 | RP4 | 72,5 | 98 | 12,5 | 1"1/4 GAS | 22 | M12x30 | 4187 | 0,91 |

| DESIGNAZIONE PER ORDINE DESIGNATION FOR ORDER | Materiale / Material ST52.3 |
|--|--------------------------------|
| Solo raccordo Only connector | RP... |
| Raccordo con viti metriche, grower e o-ring Connectors with metric screws, grower type washers and o-ring | RP...M |

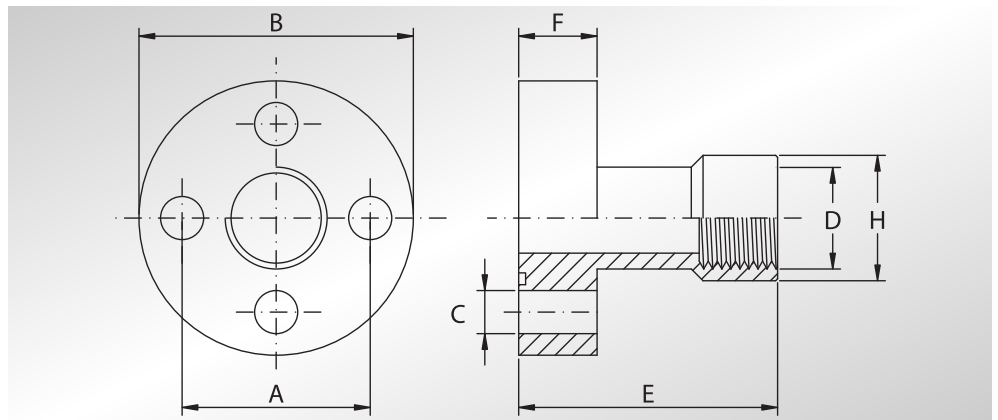
NOTE / NOTES

Rivestimento superficiale: zincatura bianca.
Superficial coating: white zinking.



RACCORDI POMPA TIPO RPI

STRAIGHT CONNECTORS RPI TYPE

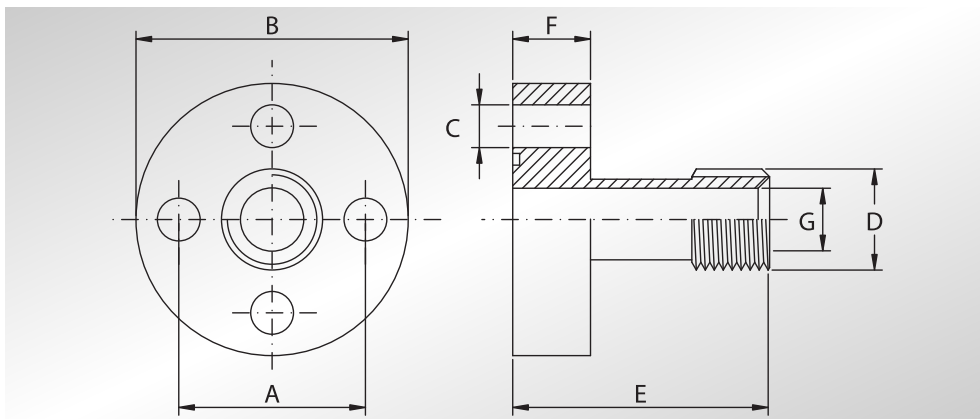


| Pressione max di esercizio raccomandata Kg/cm ² | Gruppo pompa | Tipo | Dimensioni | | | | | | | | Viti Metriche | Or tipo | Peso Kg |
|--|--------------|-------|------------|----|------|----------|----|----|------|---------|---------------|---------|-----------|
| Maximum recommended working pressure Kg/cm ² | Pump group | Type | Dimensions | | | | | | | | Metric screws | Or type | Weight Kg |
| | | | A | B | C | D | E | F | H | | | | |
| 300 | 1 | RPI1 | 30 | 45 | 6,5 | 3/8" GAS | 55 | 10 | 21 | M6x20 | 2075 | 0,14 | |
| 300 | 2 | RPI2 | 40 | 58 | 8,5 | 1/2" GAS | 60 | 12 | 26,5 | M8x25 | 2100 | 0,28 | |
| 300 | 3A | RPI3A | 51 | 76 | 10,5 | 3/4" GAS | 72 | 16 | 33,5 | M10x30A | 3125 | 0,62 | |
| 300 | 3B | RPI3B | 56 | 76 | 10,5 | 3/4" GAS | 72 | 16 | 33,5 | M10x30A | 3125 | 0,62 | |

| DESIGNAZIONE PER ORDINE DESIGNATION FOR ORDER | Materiale / Material ST52.3 |
|--|--------------------------------|
| Solo raccordo Only connector | RPI... |
| Raccordo con viti metriche, grower e o-ring Connectors with metric screws, grower type washers and o-ring | RPI...M |

NOTE / NOTES

Rivestimento superficiale: zincatura bianca.
Superficial coating: white zinking.



**RACCORDI
POMPA
TIPO RPE**



**STRAIGHT
CONNECTORS
RPE TYPE**

| Pressione max di esercizio raccomandata Kg/cm ² | Gruppo pompa | Tipo | Dimensioni | | | | | | | Viti Metriche | Or tipo | Peso Kg |
|--|--------------|-------|------------|----|------|----------|----|----|----|---------------|---------|-----------|
| Maximum recommended working pressure Kg/cm ² | Pump group | Type | Dimensions | | | | | | | Metric screws | Or type | Weight Kg |
| | | | A | B | C | D | E | F | G | | | |
| 300 | 1 | RPE1 | 30 | 45 | 6,5 | 1/2" GAS | 55 | 10 | 14 | M6x20 | 2075 | 0,14 |
| 300 | 2 | RPE2 | 40 | 58 | 8,5 | 3/4" GAS | 60 | 12 | 19 | M8x25 | 2100 | 0,26 |
| 300 | 3A | RPE3A | 51 | 76 | 10,5 | 1" GAS | 72 | 16 | 24 | M10x30A | 3125 | 0,58 |
| 300 | 3B | RPE3B | 56 | 76 | 10,5 | 1" GAS | 72 | 16 | 24 | M10x30A | 3125 | 0,58 |

**DESIGNAZIONE PER ORDINE
DESIGNATION FOR ORDER**

Materiale / Material

ST52.3

Solo raccordo
Only connector

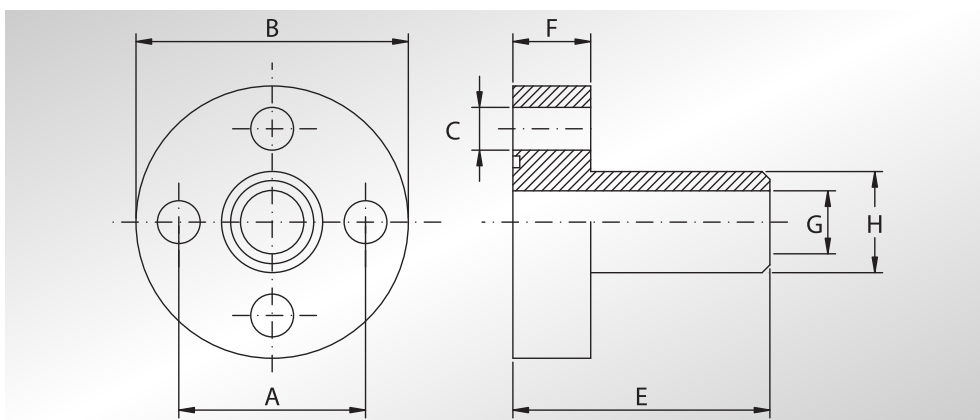
RPE...

Raccordo con viti metriche, grower e o-ring
Connectors with metric screws, grower type washers and o-ring

RPE...M

NOTE / NOTES

Rivestimento superficiale: zincatura bianca.
Superficial coating: white zinking.



**RACCORDI
POMPA
TIPO RPS**



**STRAIGHT
CONNECTORS
RPS TYPE**

| Pressione max di esercizio raccomandata Kg/cm ² | Gruppo pompa | Tipo | Dimensioni | | | | | | | Viti Metriche | Or tipo | Peso Kg |
|--|--------------|-------|------------|----|------|----|----|------|------|---------------|---------|-----------|
| Maximum recommended working pressure Kg/cm ² | Pump group | Type | Dimensions | | | | | | | Metric screws | Or type | Weight Kg |
| | | | A | B | C | E | F | G | H | | | |
| 300 | 1 | RPS1 | 30 | 45 | 6,5 | 55 | 10 | 14 | 19 | M6x20 | 2075 | 0,14 |
| 300 | 2 | RPS2 | 40 | 58 | 8,5 | 60 | 12 | 19 | 25,4 | M8x25 | 2100 | 0,28 |
| 300 | 3A | RPS3A | 51 | 76 | 10,5 | 72 | 16 | 24,5 | 32 | M10x30A | 3125 | 0,60 |
| 300 | 3B | RPS3B | 56 | 76 | 10,5 | 72 | 16 | 24,5 | 32 | M10x30A | 3125 | 0,60 |

**DESIGNAZIONE PER ORDINE
DESIGNATION FOR ORDER**

Materiale / Material

ST52.3

Solo raccordo
Only connector

RPS...

Raccordo con viti metriche, grower e o-ring
Connectors with metric screws, grower type washers and o-ring

RPS...M

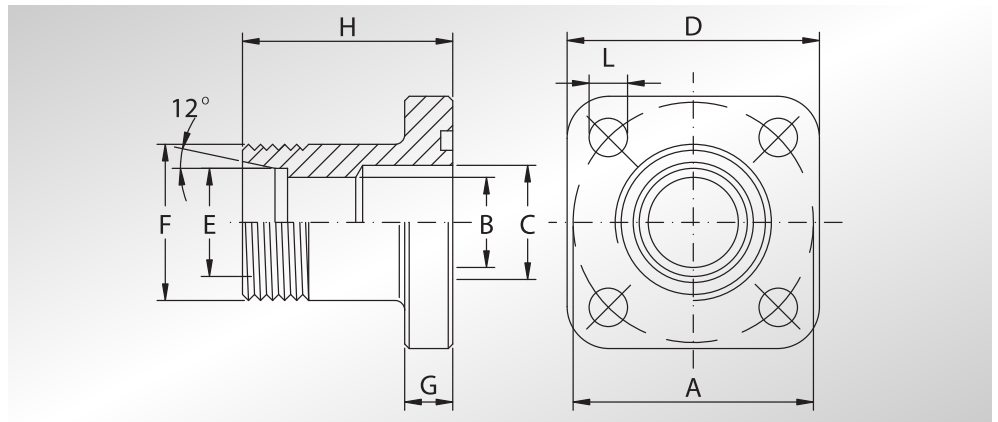
NOTE / NOTES

Rivestimento superficiale: zincatura bianca.
Superficial coating: white zinking.



**RACCORDI DIRITTI
FILETTATI METRICI
DIN 3901-3902**

**DIN 3901-3902
METRIC THREADED
STRAIGHT
CONNECTORS**



| Pressione max di esercizio raccomandata Kg/cm ² | Interasse | Tipo | Dimensioni | | | | | | | | | | Viti Metriche | Or tipo | Peso Kg |
|--|----------------------------|------------------|------------|----|--------------|----|----|---------|----|----|---------|---------------|---------------|-----------|---------|
| | | | Dimensions | | | | | | | | | | | | |
| Maximum recommended working pressure Kg/cm ² | Distance between the holes | Type | A | B | C | D | E | F | G | H | L | Metric screws | Or type | Weight Kg | |
| | | | 315 | 35 | GF35LKL10315 | 35 | 8 | 12 | 39 | 10 | M16x1,5 | | | | 8 |
| 315 | 35 | GF35LKL12315 | 35 | 10 | 12 | 39 | 12 | M18x1.5 | 8 | 30 | 6,4 | M6x20 | 3075 | 0,09 | |
| 250 | 35 | GF35LKL15250 | 35 | 12 | 12 | 39 | 15 | M22x1.5 | 8 | 30 | 6,4 | M6x20 | 3075 | 0,10 | |
| 250 | 35 | GF35LKS16250 | 35 | 12 | 12 | 39 | 16 | M24x1.5 | 8 | 30 | 6,4 | M6x20 | 3075 | 0,11 | |
| 250 | 35 | GF35LKL18250 | 35 | 12 | 12 | 39 | 18 | M26x1.5 | 8 | 30 | 6,4 | M6x20 | 3075 | 0,13 | |
| 100 | 40 | GF40LKL15100 | 40 | 12 | 19 | 42 | 15 | M22x1.5 | 8 | 35 | 6,4 | M6x20 | 132 | 0,12 | |
| 100 | 40 | GF40LKL18100 | 40 | 15 | 19 | 42 | 18 | M26x1.5 | 8 | 35 | 6,4 | M6x20 | 132 | 0,12 | |
| 100 | 40 | GF40LKL22100 | 40 | 19 | 19 | 42 | 22 | M30x2 | 8 | 35 | 6,4 | M6x20 | 132 | 0,13 | |
| 100 | 40 | GF40LKL28100 | 40 | 20 | 20 | 42 | 28 | M36x2 | 8 | 42 | 6,4 | M6x20 | 132 | 0,16 | |
| 250 | 55 | GF55LKS20250 (•) | 55 | 16 | 16 | 55 | 20 | M30x2 | 12 | 40 | 8,4 | M8x30 | 4118 | 0,30 | |
| 100 | 55 | GF55LKL35100 (•) | 55 | 24 | 24 | 60 | 35 | M45x2 | 12 | 50 | 8,4 | M8x30 | 4118 | 0,40 | |

**DESIGNAZIONE PER ORDINE
DESIGNATION FOR ORDER**

Solo raccordo
Only connector

Materiale / Material

ST52.3

GF...LK...

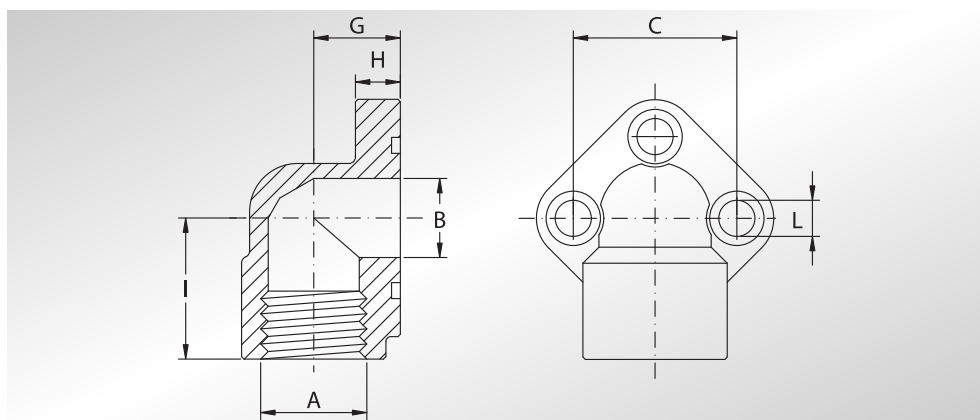
NOTE / NOTES

(•) ESECUZIONE SOLO SU RICHIESTA
MINIMO 50 PEZZI RICAVATI DA BARRA

(•) EXECUTION ONLY ON REQUEST FOR
MINIMUM 50 PIECES OBTAINED FROM BAR



**PUMP ELBOWS
WITH THREE
FIXING HOLES**



| Pressione max di esercizio raccomandata Kg/cm ² | Gruppo pompa | Tipo | Dimensioni | | | | | | | Viti Metriche | Or tipo | Peso Kg |
|--|--------------|-----------|------------|----|----|----|----|----|------|---------------|---------|-----------|
| Maximum recommended working pressure Kg/cm ² | Pump group | Type | Dimensions | | | | | | | Metric screws | Or type | Weight Kg |
| | | | A | B | C | G | H | I | L | | | |
| 300 | 0,5 | RP9005038 | 3/8" GAS | 11 | 26 | 17 | 8 | 24 | 5,3 | M5x20 | 2056 | 0,17 |
| 300 | 0,5 | RP9005012 | 1/2" GAS | 11 | 26 | 17 | 8 | 24 | 5,3 | M5x20 | 2056 | 0,15 |
| 300 | 1 | RP901038 | 3/8" GAS | 12 | 30 | 17 | 8 | 24 | 6,4 | M6x20 | 121 | 0,17 |
| 300 | 1 | RP901012 | 1/2" GAS | 12 | 30 | 17 | 8 | 26 | 6,4 | M6x20 | 121 | 0,15 |
| 300 | 2 | RP902012 | 1/2" GAS | 19 | 40 | 21 | 10 | 30 | 8,5 | M8x25A | 132 | 0,34 |
| 300 | 2 | RP902034 | 3/4" GAS | 19 | 10 | 21 | 10 | 30 | 8,5 | M8x25A | 132 | 0,30 |
| 300 | 3 | RP903A034 | 3/4" GAS | 26 | 51 | 26 | 13 | 45 | 10,5 | M10x30A | 3125 | 0,61 |
| 300 | 3 | RP903A100 | 1" GAS | 26 | 51 | 26 | 13 | 45 | 10,5 | M10x30A | 3125 | 0,54 |
| 300 | 3 | RP903B034 | 3/4" GAS | 26 | 56 | 26 | 13 | 45 | 10,5 | M10x30A | 3125 | 0,61 |
| 300 | 3 | RP903B100 | 1" GAS | 26 | 56 | 26 | 13 | 45 | 10,5 | M10x30A | 3125 | 0,54 |

**DESIGNAZIONE PER ORDINE
DESIGNATION FOR ORDER**

Materiale / Material

NOTE / NOTES

Solo raccordo
Only elbow

ST52.3

RP90...

Rivestimento superficiale: zincatura gialla.
Superficial coating: yellow zinking.

Raccordo con viti metriche, grower e o-ring

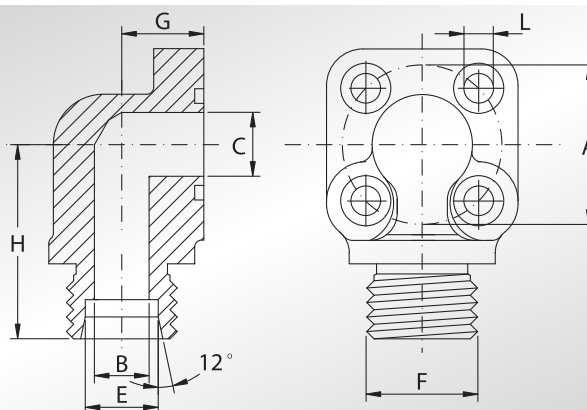
Elbow with metric screws, grower type washers and o-ring

RP90...M



**RACCORDI
A 4 FORI A 90°
FILETTATI METRICI
DIN 3901 - 3902**

**DIN 3901 - 3902
METRIC THREADED
90° CONNECTORS
WITH 4 FIXING HOLES**



| Pressione max di esercizio raccomandata Kg/cm ² | Interasse | Tipo | Dimensioni | | | | | | | | Viti Metriche | Or tipo | Peso Kg |
|--|-----------|-----------|------------|----|----|----|---------|----|------|-----|------------------------|---------|---------|
| | | | A | B | C | E | F | G | H | L | | | |
| 300 | 35 | GF3590M16 | 35 | 8 | 13 | 10 | M16x1,5 | 18 | 41,5 | 6,4 | N.2 M6x35 N.2 M6x20 | 3075 | 0,15 |
| 300 | 35 | GF3590M18 | 35 | 10 | 13 | 12 | M18x1.5 | 18 | 41,5 | 6,4 | N.2 M6x35 N.2 M6x20 | 3075 | 0,18 |
| 250 | 35 | GF3590M22 | 35 | 12 | 13 | 15 | M22x1.5 | 18 | 41,5 | 6,4 | N.2 M6x35 N.2 M6x20 | 3075 | 0,20 |
| 250 | 35 | GF3590M24 | 35 | 12 | 13 | 16 | M24x1.5 | 18 | 41,5 | 6,4 | N.2 M6x35 N.2 M6x20 | 3075 | 0,22 |
| 250 | 35 | GF3590M26 | 35 | 12 | 13 | 18 | M26x1.5 | 18 | 41,5 | 6,4 | N.2 M6x35 N.2 M6x20 | 3075 | 0,24 |
| 100 | 40 | GF4090M22 | 40 | 12 | 19 | 15 | M22x1.5 | 24 | 41,5 | 6,4 | N.2 M6x45 N.2 M6x20 | 132 | 0,18 |
| 100 | 40 | GF4090M26 | 40 | 15 | 19 | 18 | M26x1.5 | 24 | 41,5 | 6,4 | N.2 M6x45 N.2 M6x20 | 132 | 0,20 |
| 100 | 40 | GF4090M30 | 40 | 17 | 19 | 22 | M30x2 | 24 | 41,5 | 6,4 | N.2 M6x45 N.2 M6x20 | 132 | 0,25 |

**DESIGNAZIONE PER ORDINE
DESIGNATION FOR ORDER**

Solo raccordo
Only elbow

Raccordo con viti metriche, grower e o-ring
Elbow with metric screws, grower type washers and o-ring

Materiale / Material

ST52.3

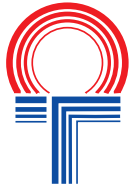
GF..90M...

GF.90M...M

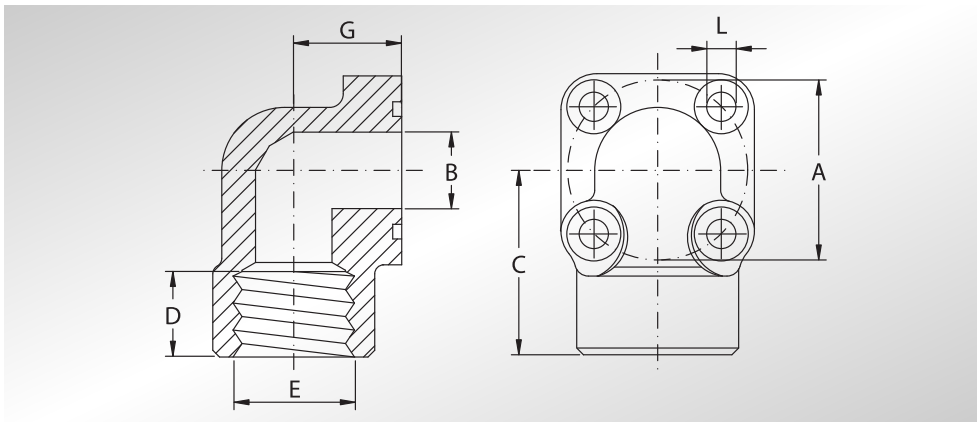
NOTE / NOTES

Rivestimento superficiale: zincatura gialla.
Superficial coating: yellow zinking.

**RACCORDI
A 4 FORI A 90°
FILETTATI GAS**



**BSP THREADED 90°
CONNECTORS
WITH 4 FIXING
HOLES**



| Pressione max di esercizio raccomandata Kg/cm ² | Interasse | Tipo | Dimensioni | | | | | | | Viti Metriche | Or tipo | Peso Kg |
|--|----------------------------|-----------|------------|----|------|----|---------|----|-----|------------------------|---------|-----------|
| Maximum recommended working pressure Kg/cm ² | Distance between the holes | Type | Dimensions | | | | | | | Metric screws | Or type | Weight Kg |
| | | | A | B | C | D | E | G | L | | | |
| 300 | 35 | GF3590038 | 35 | 13 | 41,5 | 16 | 3/8"GAS | 18 | 6,4 | N.2 M6x35 N.2 M6x20 | 3075 | 0,3 |
| 300 | 35 | GF3590012 | 35 | 13 | 41,5 | 19 | 1/2"GAS | 18 | 6,4 | N.2 M6x35 N.2 M6x20 | 3075 | 0,28 |
| 300 | 40 | GF4090012 | 40 | 19 | 41,5 | 19 | 1/2"GAS | 24 | 6,4 | N.2 M6x45 N.2 M6x20 | 132 | 0,38 |
| 300 | 40 | GF4090034 | 40 | 19 | 41,5 | 19 | 3/4"GAS | 24 | 6,4 | N.2 M6x45 N.2 M6x20 | 132 | 0,36 |

**DESIGNAZIONE PER ORDINE
DESIGNATION FOR ORDER**

Materiale / Material

NOTE / NOTES

Solo raccordo
Only elbow

GF..90...

Raccordo con viti metriche, grower e o-ring
Elbow with metric screws, grower type washers and o-ring

GF..90...M



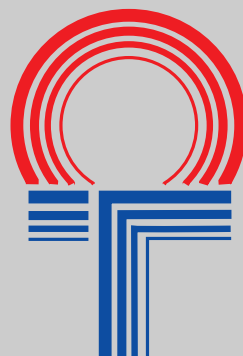
NOTE

NOTES

A large area of horizontal grey lines, intended for writing notes.

**TABELLE TECNICHE PER
FLANGE CETOP**

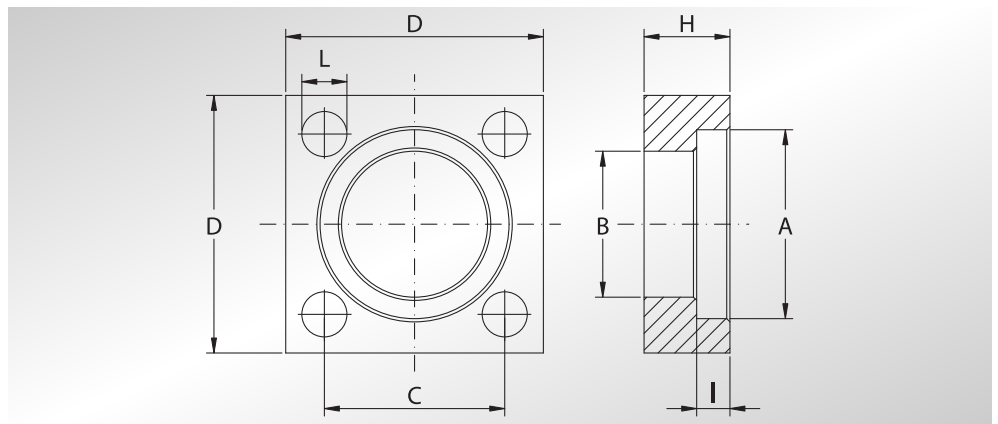
**TECHNICAL TABLES FOR
CETOP FLANGES**





FLANGE CETOP

CETOP FLANGES



| Pressione max di esercizio raccomandata Kg/cm ² | Grandezza | Tipo | Dimensioni | | | | | | | Peso Kg |
|--|-----------|------|------------|---|---|---|---|---|---|-----------|
| Maximum recommended working pressure Kg/cm ² | Size | Type | Dimensions | | | | | | | Weight Kg |
| | | | A | B | C | D | H | I | L | |

SERIE 3000

| | | | | | | | | | | |
|-----|-------|-------------|-------|--------|-------|-----|----|------|-----|------|
| 250 | 3/8" | CET38ST250 | 25,1 | 18,5 | 24,7 | 40 | 14 | 6,3 | 6,5 | 0,13 |
| 250 | 1/2" | CET12ST250 | 31,0 | 24,3 | 29,7 | 45 | 15 | 6,3 | 8,5 | 0,15 |
| 250 | 3/4" | CET342ST250 | 38,9 | 32,1 | 35,3 | 50 | 16 | 6,3 | 8,5 | 0,17 |
| 250 | 1" | CET1ST250 | 45,3 | 38,5 | 43,8 | 65 | 18 | 7,6 | 11 | 0,36 |
| 250 | 1"1/4 | CET114ST250 | 51,6 | 43,70 | 51,6 | 75 | 22 | 7,6 | 13 | 0,59 |
| 250 | 1"1/2 | CET112ST250 | 61,1 | 50,80 | 60,0 | 85 | 25 | 7,6 | 15 | 0,80 |
| 250 | 2" | CET2ST250 | 72,2 | 62,70 | 69,4 | 100 | 30 | 9,1 | 17 | 1,30 |
| 250 | 2"1/2 | CET212ST250 | 88,0 | 76,60 | 83,4 | 120 | 35 | 9,1 | 21 | 2,20 |
| 250 | 3" | CET3ST250 | 102,3 | 90,80 | 102,5 | 140 | 40 | 9,1 | 21 | 3,50 |
| 250 | 3"1/2 | CET312ST250 | 120,0 | 102,50 | 102,5 | 140 | 52 | 17,5 | 21 | 3,60 |
| 250 | 4" | CET4ST250 | 132,0 | 114,50 | 113,2 | 160 | 60 | 21,0 | 25 | 5,70 |

SERIE 6000

| | | | | | | | | | | |
|-----|-------|-------------|--------|--------|-------|-----|----|------|-----|------|
| 400 | 3/8" | CET38ST400 | 26,50 | 18,5 | 24,7 | 40 | 16 | 7,4 | 6,5 | 0,14 |
| 400 | 1/2" | CET12ST400 | 32,50 | 24,6 | 29,7 | 45 | 17 | 7,4 | 8,5 | 0,16 |
| 400 | 3/4" | CET34ST400 | 40,00 | 32,5 | 35,3 | 50 | 20 | 8,4 | 8,5 | 0,20 |
| 400 | 1" | CET1ST400 | 48,40 | 38,5 | 43,8 | 65 | 24 | 9,1 | 11 | 0,45 |
| 400 | 1"1/4 | CET114ST400 | 54,80 | 44,50 | 51,6 | 75 | 28 | 9,9 | 13 | 0,71 |
| 400 | 1"1/2 | CET112ST400 | 64,30 | 51,60 | 60,0 | 85 | 32 | 12,2 | 15 | 1,00 |
| 400 | 2" | CET2ST400 | 80,20 | 67,60 | 69,4 | 100 | 40 | 12,2 | 17 | 1,59 |
| 400 | 2"1/2 | CET212ST400 | 95,00 | 80,50 | 83,4 | 120 | 45 | 16,1 | 21 | 2,55 |
| 400 | 3" | CET3ST400 | 105,00 | 90,50 | 102,5 | 140 | 52 | 16,1 | 21 | 4,50 |
| 400 | 3"1/2 | CET312ST400 | 120,00 | 102,50 | 102,5 | 140 | 52 | 17,5 | 21 | 3,60 |
| 400 | 4" | CET4ST400 | 132,00 | 114,50 | 113,2 | 160 | 60 | 21,0 | 25 | 5,70 |

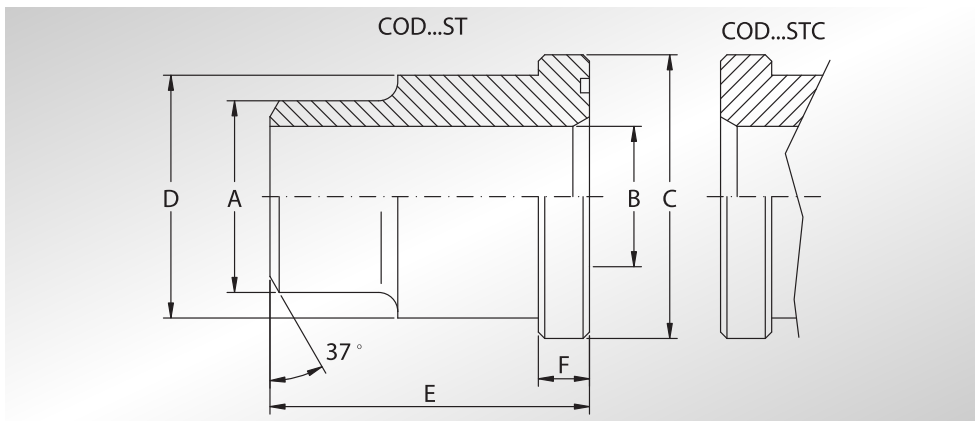
DESIGNAZIONE PER ORDINE
DESIGNATION FOR ORDER

Materiale / Material
A105 o similare (or similar)

NOTE / NOTES

Solo flangia
Only flange

CET...ST...



| Pressione max di esercizio raccomandata Kg/cm ² | Grandezza | Tipo | Dimensioni | | | | | | Or tipo | Peso Kg |
|--|-----------|------|------------|---|---|---|---|---|---------|-----------|
| Maximum recommended working pressure Kg/cm ² | Size | Type | Dimensions | | | | | | Or type | Weight Kg |
| | | | A | B | C | D | E | F | | |

SERIE 3000

| | | | | | | | | | | |
|-----|-------|-------------------|-----|------|-------|------|-----|------|------|------|
| 250 | 3/8" | COD38ST250 | 18 | 12,5 | 24,5 | 18 | 30 | 7,3 | 3068 | 0,05 |
| 250 | 1/2" | COD12ST250 | 22 | 15 | 30,2 | 24 | 30 | 7,3 | 4075 | 0,07 |
| 250 | 3/4" | COD34ST250 | 28 | 20 | 38,1 | 31,5 | 35 | 7,3 | 4100 | 0,13 |
| 250 | 1" | COD1ST250 | 35 | 25 | 44,4 | 38 | 40 | 8,6 | 4131 | 0,21 |
| 250 | 1"1/4 | COD114ST250 | 43 | 32 | 50,8 | 43 | 45 | 8,6 | 4150 | 0,27 |
| 250 | 1"1/2 | COD112ST250 | 50 | 38 | 60,3 | 50 | 50 | 8,6 | 4187 | 0,39 |
| 250 | 2" | COD2ST250 | 62 | 47 | 71,4 | 62 | 60 | 10,6 | 4225 | 0,69 |
| 250 | 2"1/2 | COD212ST250 | 76 | 58 | 87,2 | 76 | 70 | 10,6 | 4275 | 1,16 |
| 250 | 3" | COD3ST250 | 90 | 70 | 101,6 | 90 | 80 | 10,6 | 4337 | 1,73 |
| 250 | 3"1/2 | COD312ST250 | 102 | 80 | 119,0 | 102 | 90 | 19,0 | 4337 | 2,67 |
| 250 | 4" | COD4ST250 | 114 | 90 | 131,0 | 114 | 105 | 22,5 | 4387 | 3,75 |
| 250 | 4" | COD4ST250(OR6387) | 114 | 90 | 131,0 | 114 | 105 | 22,5 | 6387 | 3,75 |

SERIE 6000

| | | | | | | | | | | |
|-----|-------|---------------------|-----|----|-------|-----|-----|------|------|------|
| 400 | 3/8" | COD38ST400 | 18 | 11 | 26,0 | 18 | 35 | 8,4 | 3068 | 0,07 |
| 400 | 1/2" | COD12ST400 | 22 | 14 | 31,8 | 24 | 40 | 8,4 | 4075 | 0,11 |
| 400 | 3/4" | COD34ST400 | 28 | 18 | 39,5 | 32 | 45 | 9,4 | 7100 | 0,20 |
| 400 | 1" | COD1ST400 | 35 | 22 | 47,6 | 38 | 50 | 10,1 | 4131 | 0,32 |
| 400 | 1"1/4 | COD114ST400 | 44 | 29 | 54,0 | 44 | 55 | 10,9 | 4150 | 0,44 |
| 400 | 1"1/2 | COD112ST400 | 51 | 35 | 63,5 | 51 | 60 | 13,2 | 4187 | 0,63 |
| 400 | 2" | COD2ST400 | 61 | 43 | 79,4 | 67 | 70 | 13,7 | 4225 | 1,21 |
| 400 | 2"1/2 | COD212ST400 | 80 | 53 | 94,2 | 80 | 80 | 17,6 | 4275 | 2,04 |
| 400 | 2"1/2 | COD212ST400(OR6275) | 80 | 53 | 94,2 | 80 | 80 | 17,6 | 6275 | 2,04 |
| 400 | 3" | COD3ST400 | 90 | 58 | 104,0 | 90 | 90 | 17,6 | 4275 | 2,93 |
| 400 | 3" | COD3ST400(OR6300) | 90 | 58 | 104,0 | 90 | 90 | 17,6 | 6300 | 2,93 |
| 400 | 3"1/2 | COD312ST400 | 102 | 63 | 119,0 | 102 | 90 | 19 | 4275 | 4,00 |
| 400 | 4" | COD4ST400 | 114 | 74 | 131,0 | 114 | 105 | 22,5 | 4337 | 5,45 |
| 400 | 4" | COD4ST400(OR6350) | 114 | 74 | 131,0 | 114 | 105 | 22,5 | 6350 | 5,45 |

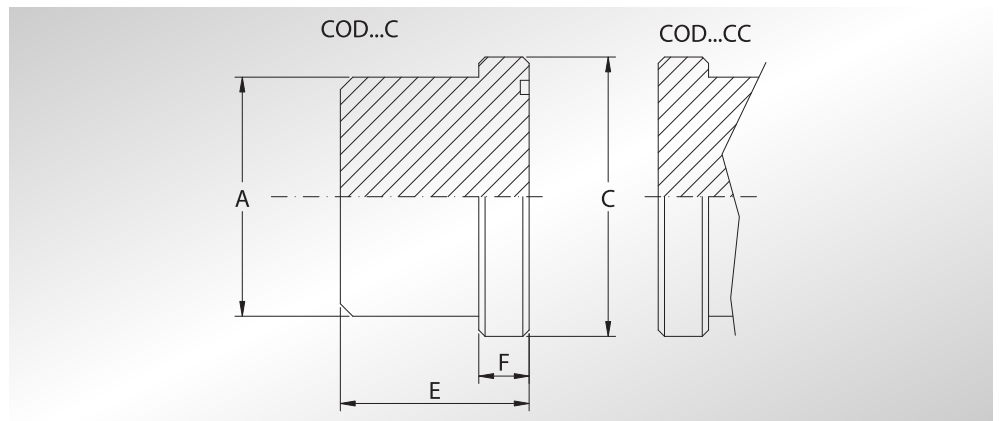
| DESIGNAZIONE PER ORDINE DESIGNATION FOR ORDER | Materiale / Material | |
|---|------------------------------|-------------------|
| | A105 o similare (or similar) | AISI 316L |
| Codolo con sede o-ring Adapter with o-ring groove | COD...ST | CODX...ST |
| Codolo senza sede o-ring Adapter without o-ring groove | COD...STC | CODX...STC |

NOTE / NOTES



**CODOLI CIECHI
CETOP**

**CETOP
BLIND ADAPTERS**



| Pressione max di esercizio raccomandata Kg/cm ² | Grandezza | Tipo | Dimensioni | | | | Or tipo | Peso Kg |
|--|-----------|------|------------|---|---|---|---------|-----------|
| Maximum recommended working pressure Kg/cm ² | Size | Type | Dimensions | | | | Or type | Weight Kg |
| | | | A | C | E | F | | |

SERIE 3000

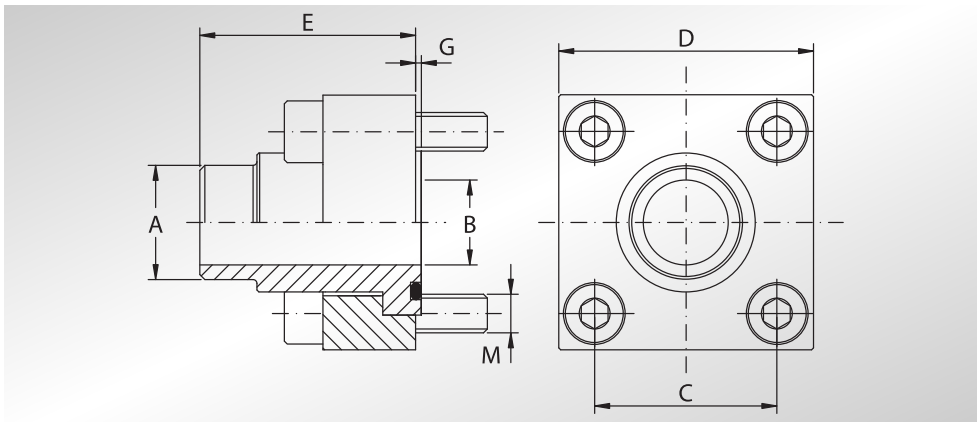
| | | | | | | | | |
|-----|-------|------------------|------|-------|----|------|------|------|
| 250 | 3/8" | COD38C250 | 18 | 24,5 | 15 | 7,3 | 3068 | 0,04 |
| 250 | 1/2" | COD12C250 | 24 | 30,2 | 16 | 7,3 | 4075 | 0,07 |
| 250 | 3/4" | COD34C250 | 31,5 | 38,1 | 17 | 7,3 | 4100 | 0,13 |
| 250 | 1" | COD1C250 | 38 | 44,4 | 19 | 8,6 | 4131 | 0,19 |
| 250 | 1"1/4 | COD114C250 | 43 | 50,8 | 23 | 8,6 | 4150 | 0,30 |
| 250 | 1"1/2 | COD112C250 | 50 | 60,3 | 26 | 8,6 | 4187 | 0,46 |
| 250 | 2" | COD2C250 | 62 | 71,4 | 31 | 10,6 | 4225 | 0,82 |
| 250 | 2"1/2 | COD212C250 | 76 | 87,2 | 37 | 10,6 | 4275 | 1,44 |
| 250 | 3" | COD3C250 | 90 | 101,6 | 42 | 10,6 | 4337 | 2,25 |
| 250 | 3"1/2 | COD312C250 | 102 | 119,0 | 54 | 19,0 | 4337 | 3,90 |
| 250 | 4" | COD4C250 | 114 | 131,0 | 62 | 22,5 | 4387 | 5,54 |
| 250 | 4" | COD4C250(OR6387) | 114 | 131,0 | 62 | 22,5 | 6387 | 5,54 |

SERIE 6000

| | | | | | | | | |
|-----|-------|--------------------|-----|-------|----|------|------|------|
| 400 | 3/8" | COD38C400 | 18 | 26,0 | 17 | 8,4 | 3068 | 0,05 |
| 400 | 1/2" | COD12C400 | 24 | 31,8 | 19 | 8,4 | 4075 | 0,09 |
| 400 | 3/4" | COD34C400 | 32 | 39,5 | 21 | 9,4 | 7100 | 0,17 |
| 400 | 1" | COD1C400 | 38 | 47,6 | 25 | 10,1 | 4131 | 0,27 |
| 400 | 1"1/4 | COD114C400 | 44 | 54,0 | 31 | 10,9 | 4150 | 0,44 |
| 400 | 1"1/2 | COD112C400 | 51 | 63,5 | 33 | 13,2 | 4187 | 0,65 |
| 400 | 2" | COD2C400 | 67 | 79,4 | 42 | 13,7 | 4225 | 1,32 |
| 400 | 2"1/2 | COD212C400 | 80 | 94,2 | 47 | 17,6 | 4275 | 2,13 |
| 400 | 2"1/2 | COD212C400(OR6275) | 80 | 94,2 | 47 | 17,6 | 6275 | 2,13 |
| 400 | 3" | COD3C400 | 90 | 104,0 | 54 | 17,6 | 4275 | 3,00 |
| 400 | 3" | COD3C400(OR6300) | 90 | 104,0 | 54 | 17,6 | 6300 | 3,00 |
| 400 | 3"1/2 | COD312C400 | 102 | 119,0 | 54 | 19 | 4275 | 3,90 |
| 400 | 4" | COD4C400 | 114 | 131,0 | 62 | 22,5 | 4337 | 5,54 |
| 400 | 4" | COD4C400(OR6350) | 114 | 131,0 | 62 | 22,5 | 6350 | 5,54 |

| DESIGNAZIONE PER ORDINE DESIGNATION FOR ORDER | Materiale / Material | |
|---|------------------------------|------------------|
| | A105 o similare (or similar) | AISI 316L |
| Codolo con sede o-ring Adapter with o-ring groove | COD...C | CODX...C |
| Codolo senza sede o-ring Adapter without o-ring groove | COD...CC | CODX...CC |

NOTE / NOTES



**GRUPPO FLANGIA
CETOP CON CODOLO
A SALDARE
DI TESTA E SET VITI
METRICHE**



**GROUP OF CETOP
FLANGE WITH WELD
ON ADAPTER
AND METRIC
SCREWS SET**

| Pressione max di esercizio raccomandata Kg/cm ² | Grandezza | Tipo | Dimensioni | | | | | | | Or tipo | Peso Kg |
|--|-----------|------|------------|---|---|---|---|---|---|---------|-----------|
| Maximum recommended working pressure Kg/cm ² | Size | Type | Dimensions | | | | | | | Or type | Weight Kg |
| | | | A | B | C | D | E | G | M | | |

SERIE 3000

| | | | | | | | | | | | |
|-----|-------|--------------------|-----|------|-------|-----|-----|-----|---------|------|-------|
| 250 | 3/8" | GCET38ST250 | 18 | 12,5 | 24,7 | 40 | 30 | 1 | M6x35 | 3068 | 0,20 |
| 250 | 1/2" | GCET12ST250 | 22 | 15 | 29,7 | 45 | 30 | 1 | M8x30 | 4075 | 0,29 |
| 250 | 3/4" | GCET34ST250 | 28 | 20 | 35,3 | 50 | 35 | 1 | M8x30 | 4100 | 0,37 |
| 250 | 1" | GCET1ST250 | 35 | 25 | 43,8 | 65 | 40 | 1 | M10x35 | 4131 | 0,69 |
| 250 | 1"1/4 | GCET114ST250 | 43 | 32 | 51,6 | 75 | 45 | 1 | M12x40 | 4150 | 1,05 |
| 250 | 1"1/2 | GCET112ST250 | 50 | 38 | 60,0 | 85 | 50 | 1 | M14x45 | 4187 | 1,48 |
| 250 | 2" | GCET2ST250 | 62 | 47 | 69,4 | 100 | 60 | 1,5 | M16x55 | 4225 | 2,44 |
| 250 | 2"1/2 | GCET212ST250 | 76 | 58 | 83,4 | 120 | 70 | 1,5 | M20x60 | 4275 | 4,18 |
| 250 | 3" | GCET3ST250 | 90 | 70 | 102,5 | 140 | 80 | 1,5 | M20x70 | 4337 | 6,14 |
| 250 | 3"1/2 | GCET312ST250 | 102 | 80 | 102,5 | 140 | 90 | 1,5 | M20x90 | 4337 | 7,40 |
| 250 | 4" | GCET4ST250 | 114 | 90 | 113,2 | 160 | 105 | 1,5 | M24x100 | 4387 | 11,30 |
| 250 | 4" | GCET4ST250(OR6387) | 114 | 90 | 113,2 | 160 | 105 | 1,5 | M24x100 | 6387 | 11,30 |

SERIE 6000

| | | | | | | | | | | | |
|-----|-------|----------------------|-----|----|-------|-----|-----|-----|---------|------|-------|
| 400 | 3/8" | GCET38ST400 | 18 | 11 | 24,7 | 40 | 35 | 1 | M6x35 | 3068 | 0,24 |
| 400 | 1/2" | GCET12ST400 | 22 | 14 | 29,7 | 45 | 40 | 1 | M8x30 | 4075 | 0,34 |
| 400 | 3/4" | GCET34ST400 | 28 | 18 | 35,3 | 50 | 45 | 1 | M8x35 | 4100 | 0,48 |
| 400 | 1" | GCET1ST400 | 35 | 22 | 43,8 | 65 | 50 | 1 | M10x40 | 4131 | 0,90 |
| 400 | 1"1/4 | GCET114ST400 | 44 | 29 | 51,6 | 75 | 55 | 1 | M12x45 | 4150 | 1,36 |
| 400 | 1"1/2 | GCET112ST400 | 51 | 35 | 60,0 | 85 | 60 | 1 | M14x55 | 4187 | 1,97 |
| 400 | 2" | GCET2ST400 | 61 | 43 | 69,4 | 100 | 70 | 1,5 | M16x60 | 4225 | 3,32 |
| 400 | 2"1/2 | GCET212ST400 | 80 | 53 | 83,4 | 120 | 80 | 1,5 | M20x70 | 4275 | 5,50 |
| 400 | 2"1/2 | GCET212ST400(OR6275) | 80 | 53 | 83,4 | 120 | 80 | 1,5 | M20x70 | 6275 | 5,50 |
| 400 | 3" | GCET3ST400 | 90 | 58 | 102,5 | 140 | 90 | 1,5 | M20x90 | 4275 | 8,55 |
| 400 | 3" | GCET3ST400(OR6300) | 90 | 58 | 102,5 | 140 | 90 | 1,5 | M20x90 | 6300 | 8,55 |
| 400 | 3"1/2 | GCET312ST400 | 102 | 63 | 102,5 | 140 | 90 | 1,5 | M20x90 | 4275 | 8,71 |
| 400 | 4" | GCET4ST400 | 114 | 74 | 113,2 | 160 | 105 | 1,5 | M24x100 | 4337 | 13,00 |
| 400 | 4" | GCET4ST400(OR6350) | 114 | 74 | 113,2 | 160 | 105 | 1,5 | M24x100 | 6350 | 13,00 |

**DESIGNAZIONE PER ORDINE
DESIGNATION FOR ORDER**

1 Flangia cetop - 1 Codolo con sede o-ring - 4 Viti TCE - 4 Grower - 1 O-ring
1 Cetop flange - 1 Adapter with o-ring groove - 4 TCE screws - 4 Growers - 1 O-ring

Materiale / Material

A105 o similare (or similar)

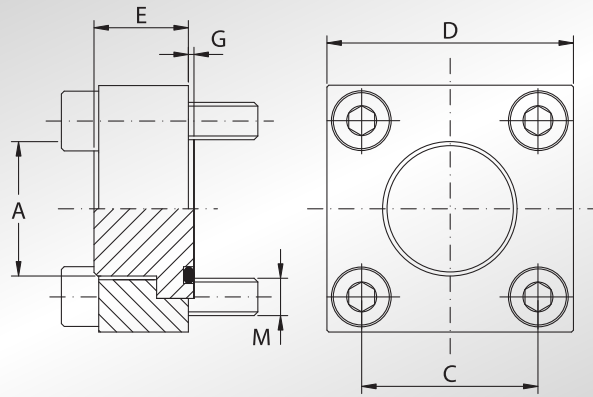
GCET...ST...

NOTE / NOTES



**GRUPPO
FLANGIA CETOP
CON CODOLO CIECO
E SET VITI METRICHE**

**GROUP OF CETOP
FLANGE WITH BLIND
ADAPTER AND METRIC
SCREWS SET**



| Pressione max di esercizio raccomandata Kg/cm ² | Grandezza | Tipo | Dimensioni | | | | | | Or tipo | Peso Kg |
|--|-----------|------|------------|---|---|---|---|---|---------|-----------|
| Maximum recommended working pressure Kg/cm ² | Size | Type | Dimensions | | | | | | Or type | Weight Kg |
| | | | A | C | D | E | G | M | | |

SERIE 3000

| | | | | | | | | | | |
|-----|-------|-------------------|-----|-------|-----|----|-----|---------|------|-------|
| 250 | 3/8" | GCET38C250 | 18 | 24,7 | 40 | 15 | 1 | M6x35 | 3068 | 0,20 |
| 250 | 1/2" | GCET12C250 | 22 | 29,7 | 45 | 16 | 1 | M8x30 | 4075 | 0,29 |
| 250 | 3/4" | GCET34C250 | 28 | 35,3 | 50 | 17 | 1 | M8x30 | 4100 | 0,37 |
| 250 | 1" | GCET1C250 | 35 | 43,8 | 65 | 19 | 1 | M10x35 | 4131 | 0,69 |
| 250 | 1"1/4 | GCET114C250 | 43 | 51,6 | 75 | 23 | 1 | M12x40 | 4150 | 1,05 |
| 250 | 1"1/2 | GCET112C250 | 50 | 60,0 | 85 | 26 | 1 | M14x45 | 4187 | 1,48 |
| 250 | 2" | GCET2C250 | 62 | 69,4 | 100 | 31 | 1,5 | M16x55 | 4225 | 2,44 |
| 250 | 2"1/2 | GCET212C250 | 76 | 83,4 | 120 | 37 | 1,5 | M20x60 | 4275 | 4,18 |
| 250 | 3" | GCET3C250 | 90 | 102,5 | 140 | 42 | 1,5 | M20x70 | 4337 | 6,14 |
| 250 | 3"1/2 | GCET312C250 | 102 | 102,5 | 140 | 54 | 1,5 | M20x90 | 4337 | 7,40 |
| 250 | 4" | GCET4C250 | 114 | 113,2 | 160 | 62 | 1,5 | M24x100 | 4387 | 11,30 |
| 250 | 4" | GCET4C250(OR6387) | 114 | 113,2 | 160 | 62 | 1,5 | M24x100 | 6387 | 11,30 |

SERIE 6000

| | | | | | | | | | | |
|-----|-------|---------------------|-----|-------|-----|----|-----|---------|------|-------|
| 400 | 3/8" | GCET38C400 | 18 | 24,7 | 40 | 17 | 1 | M6x35 | 3068 | 0,24 |
| 400 | 1/2" | GCET12C400 | 22 | 29,7 | 45 | 19 | 1 | M8x30 | 4075 | 0,34 |
| 400 | 3/4" | GCET34C400 | 28 | 35,3 | 50 | 21 | 1 | M8x35 | 7100 | 0,48 |
| 400 | 1" | GCET1C400 | 35 | 43,8 | 65 | 25 | 1 | M10x40 | 4131 | 0,90 |
| 400 | 1"1/4 | GCET114C400 | 44 | 51,6 | 75 | 31 | 1 | M12x45 | 4150 | 1,36 |
| 400 | 1"1/2 | GCET112C400 | 51 | 60,0 | 85 | 33 | 1 | M14x55 | 4187 | 1,97 |
| 400 | 2" | GCET2C400 | 61 | 69,4 | 100 | 42 | 1,5 | M16x60 | 4225 | 3,32 |
| 400 | 2"1/2 | GCET212C400 | 80 | 83,4 | 120 | 47 | 1,5 | M20x70 | 4275 | 5,50 |
| 400 | 2"1/2 | GCET212C400(OR6275) | 80 | 83,4 | 120 | 47 | 1,5 | M20x70 | 6275 | 5,50 |
| 400 | 3" | GCET3C400 | 90 | 102,5 | 140 | 54 | 1,5 | M20x90 | 4275 | 8,55 |
| 400 | 3" | GCET3C400(OR6300) | 90 | 102,5 | 140 | 54 | 1,5 | M20x90 | 6300 | 8,55 |
| 400 | 3"1/2 | GCET312C400 | 102 | 102,5 | 140 | 54 | 1,5 | M20x90 | 4275 | 8,71 |
| 400 | 4" | GCET4C400 | 114 | 113,2 | 160 | 62 | 1,5 | M24x100 | 4337 | 13,00 |
| 400 | 4" | GCET4C400(OR6350) | 114 | 113,2 | 160 | 62 | 1,5 | M24x100 | 6350 | 13,00 |

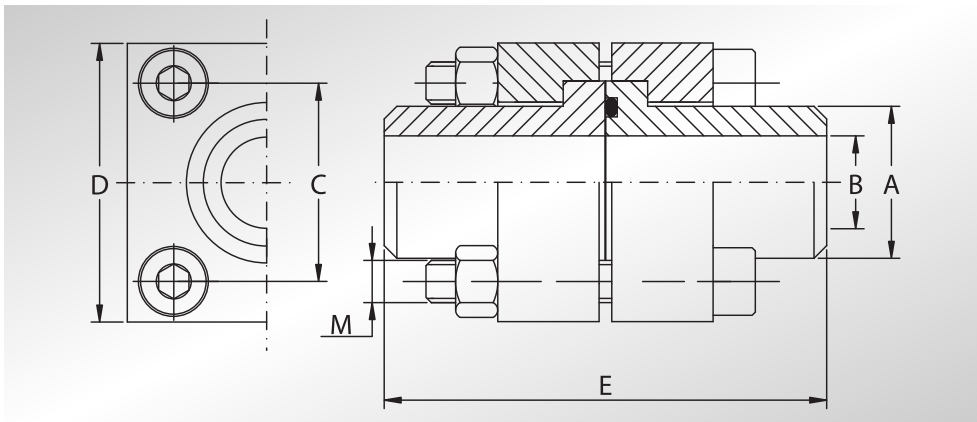
**DESIGNAZIONE PER ORDINE
DESIGNATION FOR ORDER**

1 Flangia cetop - 1 Codolo cieco con sede o-ring - 4 Viti TCE - 4 Grower - 1 O-ring
1 Cetop flange - 1 Blind adapter with o-ring groove - 4 TCE screws - 4 Growers - 1 O-ring

GCET...C...

NOTE / NOTES

Materiale / Material
A105 o similare (or similar)



**DOPPIE FLANGE
CETOP CON CODOLO
E CONTROCODOLO
A SALDARE DI TESTA
E SET VITI METRICHE**



**CETOP DOUBLE
FLANGES WITH WELD
ON ADAPTER WITH
AND WITHOUT O-RING
SEAT AND METRIC
SCREWS SET**

| Pressione max di esercizio raccomandata Kg/cm ² | Grandezza | Tipo | Dimensioni | | | | | | Or tipo | Peso Kg |
|--|-----------|------|------------|---|---|---|---|---|---------|-----------|
| Maximum recommended working pressure Kg/cm ² | Size | Type | Dimensions | | | | | | Or type | Weight Kg |
| | | | A | B | C | D | E | M | | |

SERIE 3000

| | | | | | | | | | | |
|-----|-------|--------------------|-----|------|-------|-----|-----|---------|------|-------|
| 250 | 3/8" | DCET38ST250 | 18 | 12,5 | 24,7 | 40 | 60 | M6x45 | 3068 | 0,42 |
| 250 | 1/2" | DCET12ST250 | 22 | 15 | 29,7 | 45 | 60 | M8x45 | 4075 | 0,52 |
| 250 | 3/4" | DCET34ST250 | 28 | 20 | 35,3 | 50 | 70 | M8x45 | 4100 | 0,68 |
| 250 | 1" | DCET1ST250 | 35 | 25 | 43,8 | 65 | 80 | M10x50 | 4131 | 1,30 |
| 250 | 1"1/4 | DCET114ST250 | 43 | 32 | 51,6 | 75 | 90 | M12x60 | 4150 | 1,98 |
| 250 | 1"1/2 | DCET112ST250 | 50 | 38 | 60,0 | 85 | 100 | M14x70 | 4187 | 2,78 |
| 250 | 2" | DCET2ST250 | 62 | 47 | 69,4 | 100 | 120 | M16x90 | 4225 | 4,67 |
| 250 | 2"1/2 | DCET212ST250 | 76 | 58 | 83,4 | 120 | 140 | M20x100 | 4275 | 7,96 |
| 250 | 3" | DCET3ST250 | 90 | 70 | 102,5 | 140 | 160 | M20x110 | 4337 | 11,80 |
| 250 | 3"1/2 | DCET312ST250 | 102 | 80 | 102,5 | 140 | 180 | M20x130 | 4337 | 14,10 |
| 250 | 4" | DCET4ST250 | 114 | 90 | 113,2 | 160 | 210 | M24x160 | 4387 | 21,60 |
| 250 | 4" | DCET4ST250(OR6387) | 114 | 90 | 113,2 | 160 | 210 | M24x160 | 6387 | 21,60 |

SERIE 6000

| | | | | | | | | | | |
|-----|-------|----------------------|-----|----|-------|-----|-----|---------|------|-------|
| 400 | 3/8" | DCET38ST400 | 18 | 11 | 24,7 | 40 | 70 | M6x45 | 3068 | 0,47 |
| 400 | 1/2" | DCET12ST400 | 22 | 14 | 29,7 | 45 | 80 | M8x50 | 4075 | 0,63 |
| 400 | 3/4" | DCET34ST400 | 28 | 18 | 35,3 | 50 | 90 | M8x60 | 7100 | 0,90 |
| 400 | 1" | DCET1ST400 | 35 | 22 | 43,8 | 65 | 100 | M10x70 | 4131 | 1,73 |
| 400 | 1"1/4 | DCET114ST400 | 44 | 29 | 51,6 | 75 | 110 | M12x80 | 4150 | 2,62 |
| 400 | 1"1/2 | DCET112ST400 | 51 | 35 | 60,0 | 85 | 120 | M14x90 | 4187 | 3,76 |
| 400 | 2" | DCET2ST400 | 61 | 43 | 69,4 | 100 | 140 | M16x100 | 4225 | 6,40 |
| 400 | 2"1/2 | DCET212ST400 | 80 | 53 | 83,4 | 120 | 160 | M20x110 | 4275 | 10,50 |
| 400 | 2"1/2 | DCET212ST400(OR6275) | 80 | 53 | 83,4 | 120 | 160 | M20x110 | 6275 | 10,50 |
| 400 | 3" | DCET3ST400 | 90 | 58 | 102,5 | 140 | 180 | M20x130 | 4275 | 16,40 |
| 400 | 3" | DCET3ST400(OR6300) | 90 | 58 | 102,5 | 140 | 180 | M20x130 | 6300 | 16,40 |
| 400 | 3"1/2 | DCET312ST400 | 102 | 63 | 102,5 | 140 | 180 | M20x130 | 4275 | 16,70 |
| 400 | 4" | DCET4ST400 | 114 | 74 | 113,2 | 160 | 210 | M24x160 | 4337 | 25,00 |
| 400 | 4" | DCET4ST400(OR6350) | 114 | 74 | 113,2 | 160 | 210 | M24x160 | 6350 | 25,00 |

**DESIGNAZIONE PER ORDINE
DESIGNATION FOR ORDER**

2 Flange cetop - 1 Codolo con sede o-ring - 1 Codolo senza sede o-ring
4 Viti TCE - 8 Grower - 4 Dadi - 1 O-ring

2 Cetop flanges - 1 Adapter with o-ring groove - 1 Adapter without o-ring groove
4 TCE screws - 8 Growers - 4 Nuts - 1 O-ring

**Materiale / Material
A105 o similare (or similar)**

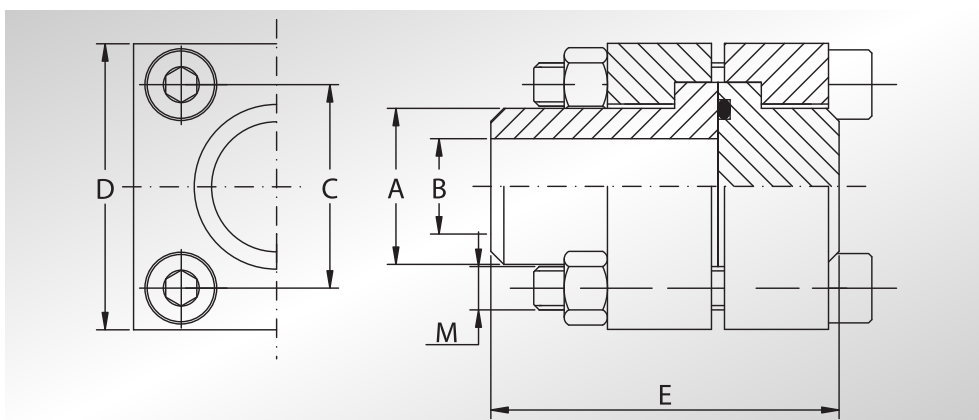
DCET...ST...

NOTE / NOTES



**DOPPIE FLANGE CETOP
CON CODOLO CIECO
E CONTROCODOLO
A SALDARE DI TESTA
E SET VITI METRICHE**

**CETOP DOUBLE FLANGES
WITH BLIND ADAPTER
AND WELD ON ADAPTER
WITHOUT O-RING SEAT AND
METRIC SCREWS SET**



| Pressione max di esercizio raccomandata Kg/cm ² | Grandezza | Tipo | Dimensioni | | | | | | Or tipo | Peso Kg |
|--|-----------|------|------------|---|---|---|---|---|---------|-----------|
| Maximum recommended working pressure Kg/cm ² | Size | Type | Dimensions | | | | | | Or type | Weight Kg |
| | | | A | B | C | D | E | M | | |

SERIE 3000

| | | | | | | | | | | |
|-----|-------|-------------------|-----|------|-------|-----|-----|---------|------|-------|
| 250 | 3/8" | DCET38C250 | 18 | 12,5 | 24,7 | 40 | 45 | M6x45 | 3068 | 0,42 |
| 250 | 1/2" | DCET12C250 | 22 | 15 | 29,7 | 45 | 46 | M8x45 | 4075 | 0,52 |
| 250 | 3/4" | DCET34C250 | 28 | 20 | 35,3 | 50 | 52 | M8x45 | 4100 | 0,68 |
| 250 | 1" | DCET1C250 | 35 | 25 | 43,8 | 65 | 59 | M10x50 | 4131 | 1,30 |
| 250 | 1"1/4 | DCET114C250 | 43 | 32 | 51,6 | 75 | 68 | M12x60 | 4150 | 1,98 |
| 250 | 1"1/2 | DCET112C250 | 50 | 38 | 60,0 | 85 | 76 | M14x70 | 4187 | 2,78 |
| 250 | 2" | DCET2C250 | 62 | 47 | 69,4 | 100 | 91 | M16x90 | 4225 | 4,67 |
| 250 | 2"1/2 | DCET212C250 | 76 | 58 | 83,4 | 120 | 107 | M20x100 | 4275 | 7,96 |
| 250 | 3" | DCET3C250 | 90 | 70 | 102,5 | 140 | 122 | M20x110 | 4337 | 11,80 |
| 250 | 3"1/2 | DCET312C250 | 102 | 80 | 102,5 | 140 | 144 | M20x130 | 4337 | 14,10 |
| 250 | 4" | DCET4C250 | 114 | 90 | 113,2 | 160 | 167 | M24x160 | 4387 | 21,60 |
| 250 | 4" | DCET4C250(OR6387) | 114 | 90 | 113,2 | 160 | 167 | M24x160 | 6387 | 21,60 |

SERIE 6000

| | | | | | | | | | | |
|-----|-------|---------------------|-----|----|-------|-----|-----|---------|------|-------|
| 400 | 3/8" | DCET38C400 | 18 | 11 | 24,7 | 40 | 52 | M6x45 | 3068 | 0,47 |
| 400 | 1/2" | DCET12C400 | 22 | 14 | 29,7 | 45 | 59 | M8x50 | 4075 | 0,63 |
| 400 | 3/4" | DCET34C400 | 28 | 18 | 35,3 | 50 | 66 | M8x60 | 7100 | 0,90 |
| 400 | 1" | DCET1C400 | 35 | 22 | 43,8 | 65 | 75 | M10x70 | 4131 | 1,73 |
| 400 | 1"1/4 | DCET114C400 | 44 | 29 | 51,6 | 75 | 86 | M12x80 | 4150 | 2,62 |
| 400 | 1"1/2 | DCET112C400 | 51 | 35 | 60,0 | 85 | 93 | M14x90 | 4187 | 3,76 |
| 400 | 2" | DCET2C400 | 61 | 43 | 69,4 | 100 | 112 | M16x100 | 4225 | 6,40 |
| 400 | 2"1/2 | DCET212C400 | 80 | 53 | 83,4 | 120 | 127 | M20x110 | 4275 | 10,50 |
| 400 | 2"1/2 | DCET212C400(OR6275) | 80 | 53 | 83,4 | 120 | 127 | M20x110 | 6275 | 10,50 |
| 400 | 3" | DCET3C400 | 90 | 58 | 102,5 | 140 | 144 | M20x130 | 4275 | 16,40 |
| 400 | 3" | DCET3C400(OR6300) | 90 | 58 | 102,5 | 140 | 144 | M20x130 | 6300 | 16,40 |
| 400 | 3"1/2 | DCET312C400 | 102 | 63 | 102,5 | 140 | 144 | M20x130 | 4275 | 16,70 |
| 400 | 4" | DCET4C400 | 114 | 74 | 113,2 | 160 | 167 | M24x160 | 4337 | 25,00 |
| 400 | 4" | DCET4C400(OR6350) | 114 | 74 | 113,2 | 160 | 167 | M24x160 | 6350 | 25,00 |

**DESIGNAZIONE PER ORDINE
DESIGNATION FOR ORDER**

2 Flange cetop - 1 Codolo cieco con sede o-ring - 1 Codolo a saldare di testa senza sede o-ring
4 Viti TCE - 8 Grower - 4 Dadi - 1 O-ring

2 Cetop flanges - 1 Blind adapter with o-ring groove - 1 Weld on adapter without o-ring groove
4 TCE screws - 8 Growers - 4 Nuts - 1 O-ring

Materiale / Material

A105 o similare (or similar)

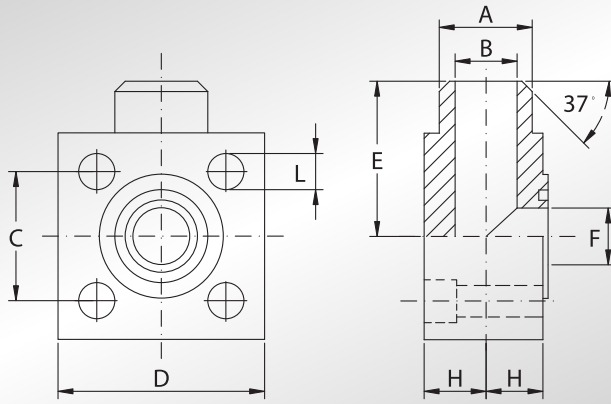
DCET...C...

NOTE / NOTES

FLANGE CETOP A 90°



90° CETOP FLANGES



| Pressione max di esercizio raccomandata Kg/cm ² | Grandezza | Tipo | Dimensioni | | | | | | | | Viti Metriche | Or tipo | Peso Kg |
|--|-----------|---------------|------------|------|-------|-----|-----|------|----|-----|---------------|---------|-----------|
| Maximum recommended working pressure Kg/cm ² | Size | Type | Dimensions | | | | | | | | Metric screws | Or type | Weight Kg |
| | | | A | B | C | D | E | F | H | L | | | |
| SERIE 3000 | | | | | | | | | | | | | |
| 250 | 3/8" | CET38ST90250 | 18 | 12,5 | 24,7 | 40 | 32 | 12,5 | 12 | 6,8 | M6x30 | 3068 | 0,24 |
| 250 | 1/2" | CET12ST90250 | 22 | 15 | 29,7 | 45 | 40 | 15 | 17 | 9 | M8x40 | 4075 | 0,40 |
| 250 | 3/4" | CET34ST90250 | 28 | 20 | 35,3 | 50 | 42 | 20 | 19 | 9 | M8x45 | 4100 | 0,57 |
| 250 | 1" | CET1ST90250 | 35 | 25 | 43,8 | 65 | 50 | 25 | 24 | 11 | M10x55 | 4131 | 1,21 |
| 250 | 1"1/4 | CET114ST90250 | 43 | 32 | 51,6 | 75 | 56 | 32 | 30 | 13 | M12x70 | 4150 | 1,92 |
| 250 | 1"1/2 | CET112ST90250 | 50 | 38 | 60,0 | 85 | 65 | 38 | 34 | 15 | M14x80 | 4187 | 2,84 |
| 250 | 2" | CET2ST90250 | 62 | 47 | 69,4 | 100 | 75 | 47 | 42 | 17 | M16x100 | 4225 | 4,75 |
| 250 | 2"1/2 | CET212ST90250 | 76 | 58 | 83,4 | 120 | 85 | 58 | 53 | 21 | M20x120 | 4275 | 8,67 |
| 250 | 3" | CET3ST90250 | 90 | 68 | 102,5 | 140 | 100 | 70 | 59 | 21 | M20x140 | 4337 | 14,51 |

| | | | | | | | | | | | | | |
|-------------------|-------|-----------------------|----|----|-------|-----|-----|------|----|-----|---------|------|-------|
| SERIE 6000 | | | | | | | | | | | | | |
| 400 | 3/8" | CET38ST90400 | 18 | 11 | 24,7 | 40 | 32 | 12,5 | 12 | 6,8 | M6x30 | 3068 | 0,24 |
| 400 | 1/2" | CET12ST90400 | 22 | 14 | 29,7 | 45 | 40 | 15 | 17 | 9 | M8x40 | 4075 | 0,40 |
| 400 | 3/4" | CET34ST90400 | 28 | 18 | 35,3 | 50 | 42 | 20 | 19 | 9 | M8x45 | 7100 | 0,59 |
| 400 | 1" | CET1ST90400 | 35 | 22 | 43,8 | 65 | 50 | 25 | 24 | 11 | M10x55 | 4131 | 1,25 |
| 400 | 1"1/4 | CET114ST90400 | 44 | 29 | 51,6 | 75 | 56 | 32 | 30 | 13 | M12x70 | 4150 | 2,00 |
| 400 | 1"1/2 | CET112ST90400 | 51 | 35 | 60,0 | 85 | 65 | 38 | 34 | 15 | M14x80 | 4187 | 2,86 |
| 400 | 2" | CET2ST90400 | 61 | 43 | 69,4 | 100 | 75 | 47 | 42 | 17 | M16x100 | 4225 | 4,83 |
| 400 | 2"1/2 | CET212ST90400 | 80 | 53 | 83,4 | 120 | 85 | 58 | 53 | 21 | M20x120 | 4275 | 8,58 |
| 400 | 2"1/2 | CET212ST90400(OR6275) | 80 | 53 | 83,4 | 120 | 85 | 58 | 53 | 21 | M20x120 | 6275 | 8,58 |
| 400 | 3" | CET3ST90400 | 90 | 58 | 102,5 | 140 | 100 | 58 | 59 | 21 | M20x140 | 4275 | 14,51 |
| 400 | 3" | CET3ST90400(OR6300) | 90 | 58 | 102,5 | 140 | 100 | 58 | 59 | 21 | M20x140 | 6300 | 14,51 |

DESIGNAZIONE PER ORDINE DESIGNATION FOR ORDER

Solo flangia
Only flange

Materiale / Material

A105 o similare (or similar)

CET...ST90...

NOTE / NOTES



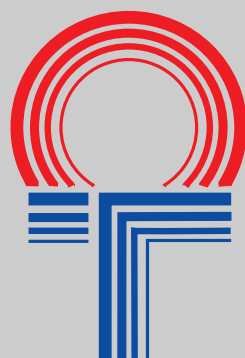
NOTE

NOTES

A large area of the page is filled with horizontal grey lines, serving as a template for writing notes.

**TABELLE TECNICHE PER PRODOTTI
IN ESECUZIONE SU RICHIESTA**

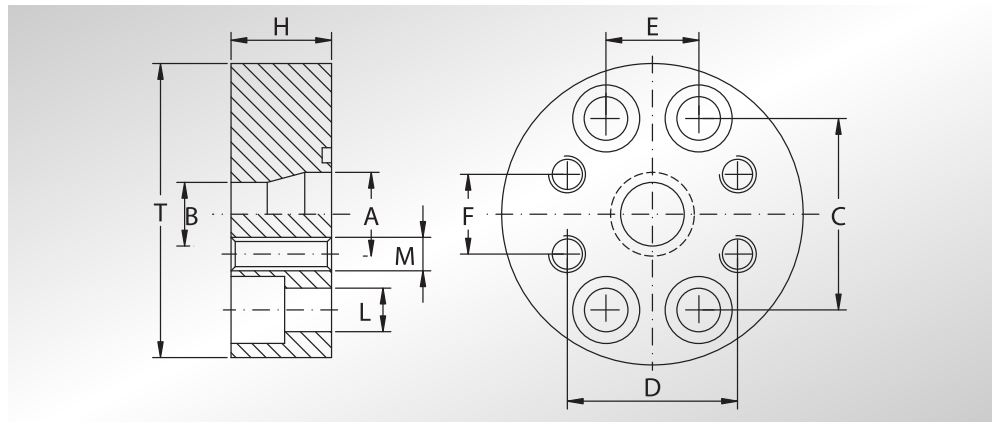
***TECHNICAL TABLES FOR PRODUCTS
ON REQUEST***





ADATTATORE SAE DI RIDUZIONE

SAE REDUCER ADAPTER



| Pressione max di esercizio raccomandata Kg/cm ² | Grandezza | Tipo | Dimensioni | | | | | | | | | | Or tipo | Peso Kg |
|--|-----------|-----------|-------------------|----|-------|-------|-------|-------|----|------|-----|-------|---------|-----------|
| | | | Dimensions | | | | | | | | | | | |
| Maximum recommended working pressure Kg/cm ² | Size | Type | A | B | C | D | E | F | H | L | M | T | Or type | Weight Kg |
| | | | SERIE 3000 | | | | | | | | | | | |
| 200 | 1" | RIF102100 | 25 | 19 | 52,37 | 47,63 | 26,19 | 22,23 | 28 | 11 | M10 | 80 | 4131 | 0,90 |
| 200 | 1"1/4 | RIF104102 | 30 | 25 | 58,72 | 52,37 | 30,18 | 26,19 | 28 | 11,5 | M10 | 90 | 4150 | 1,15 |
| 200 | 1"1/2 | RIF106104 | 38 | 30 | 69,85 | 58,72 | 35,71 | 30,18 | 32 | 13,5 | M10 | 105,0 | 4187 | 1,70 |
| 200 | 2" | RIF108106 | 50 | 38 | 77,77 | 69,85 | 42,88 | 35,71 | 32 | 13,5 | M12 | 115,0 | 4225 | 2,00 |
| SERIE 6000 | | | | | | | | | | | | | | |
| 400 | 1" | RIF403402 | 25 | 19 | 57,15 | 50,80 | 27,76 | 23,80 | 30 | 13 | M10 | 90,0 | 4131 | 1,20 |
| 400 | 1"1/4 | RIF404403 | 30 | 25 | 66,68 | 57,15 | 31,75 | 27,76 | 35 | 15 | M12 | 105 | 4150 | 2,00 |
| 400 | 1"1/2 | RIF405404 | 38 | 30 | 79,38 | 66,68 | 36,50 | 31,75 | 50 | 17 | M14 | 120 | 4187 | 3,70 |
| 400 | 2" | RIF406405 | 50 | 38 | 96,82 | 79,38 | 44,45 | 36,50 | 50 | 21 | M16 | 145 | 4225 | 5,40 |

| DESIGNAZIONE PER ORDINE DESIGNATION FOR ORDER | Materiale / Material | |
|--|----------------------|-----------|
| | ST52.3 | AISI 316L |

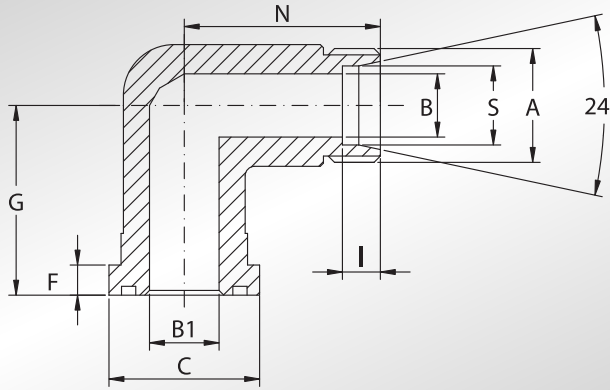
| | | |
|--------------------------------|--------|---------|
| Adattatore Straight Adapter | RIF... | RIFX... |
|--------------------------------|--------|---------|

NOTE / NOTES

**CODOLI FILETTATI
METRICI 90°
DIN 3901-3902
ZINCATI**



**90° DIN 3901-3902
METRIC THREADED
YELLOW ZINKED
ADAPTERS**



| Pressione max di esercizio raccomandata Kg/cm ² | Grandezza | Tipo | Dimensioni | | | | | | | | | Or tipo |
|--|-----------|------|------------|---|----|---|---|---|---|---|---|---------|
| Maximum recommended working pressure Kg/cm ² | Size | Type | Dimensions | | | | | | | | | Or type |
| | | | A | B | B1 | C | F | G | I | N | S | |

SERIE 3000

| | | | | | | | | | | | | |
|-----|-------|------------|---------|----|----|------|------|----|------|----|----|------|
| 315 | 1/2" | WFG3001L15 | M22x1,5 | 12 | 11 | 30,2 | 6,73 | 39 | 7 | 36 | 15 | 4075 |
| 350 | 1/2" | WFG3001S16 | M24x1,5 | 12 | 11 | 30,2 | 6,73 | 39 | 8,5 | 38 | 16 | 4075 |
| 315 | 3/4" | WFG3002L18 | M26x1,5 | 15 | 19 | 38,1 | 6,73 | 42 | 7,5 | 39 | 18 | 4100 |
| 160 | 3/4" | WFG3002L22 | M30x2 | 19 | 19 | 38,1 | 6,73 | 42 | 7,5 | 41 | 22 | 4100 |
| 350 | 3/4" | WFG3002S20 | M30x2 | 16 | 19 | 38,1 | 6,73 | 42 | 10,5 | 43 | 20 | 4100 |
| 350 | 3/4" | WFG3002S25 | M36x2 | 17 | 19 | 38,1 | 6,73 | 42 | 12 | 45 | 25 | 4100 |
| 160 | 1" | WFG3003L28 | M36x2 | 24 | 25 | 44,4 | 6,73 | 45 | 7,5 | 44 | 28 | 4131 |
| 350 | 1" | WFG3003S25 | M36x2 | 20 | 25 | 44,4 | 8 | 45 | 12 | 50 | 25 | 4131 |
| 350 | 1" | WFG3003S30 | M42x2 | 24 | 25 | 44,4 | 8 | 45 | 13,5 | 50 | 30 | 4131 |
| 160 | 1"1/4 | WFG3004L35 | M45x2 | 30 | 27 | 50,8 | 8 | 50 | 10,5 | 57 | 35 | 4150 |
| 280 | 1"1/4 | WFG3004S25 | M36x2 | 20 | 27 | 50,8 | 8 | 50 | 12 | 55 | 25 | 4150 |
| 280 | 1"1/4 | WFG3004S30 | M42x2 | 25 | 27 | 50,8 | 8 | 50 | 13,5 | 57 | 30 | 4150 |
| 280 | 1"1/4 | WFG3004S38 | M52x2 | 28 | 27 | 50,8 | 8 | 50 | 16 | 59 | 38 | 4150 |
| 160 | 1"1/2 | WFG3005L42 | M52x2 | 36 | 36 | 60,3 | 8 | 76 | 11 | 67 | 42 | 4187 |
| 210 | 1"1/2 | WFG3005S38 | M52x2 | 32 | 36 | 60,3 | 8 | 76 | 16 | 72 | 38 | 4187 |

SERIE 6000

| | | | | | | | | | | | | |
|-----|-------|------------|---------|----|----|------|-------|----|------|------|----|------|
| 400 | 1/2" | WFG6001S16 | M24x1,5 | 12 | 12 | 31,8 | 7,75 | 39 | 8,5 | 37,9 | 16 | 4075 |
| 400 | 3/4" | WFG6002S16 | M24x1,5 | 12 | 17 | 41,3 | 8,76 | 48 | 8,5 | 45 | 16 | 4100 |
| 400 | 3/4" | WFG6002S20 | M30x2 | 16 | 17 | 41,3 | 8,76 | 48 | 10,5 | 46 | 20 | 4100 |
| 400 | 3/4" | WFG6002S25 | M36x2 | 17 | 17 | 41,3 | 8,76 | 48 | 12 | 48 | 25 | 4100 |
| 400 | 1" | WFG6003S25 | M36x2 | 20 | 24 | 47,6 | 9,53 | 60 | 12 | 53 | 25 | 4131 |
| 400 | 1" | WFG6003S30 | M42x2 | 24 | 24 | 47,6 | 9,53 | 60 | 13,5 | 55 | 30 | 4131 |
| 400 | 1"1/4 | WFG6004S30 | M42x2 | 25 | 31 | 54,0 | 10,29 | 68 | 13,5 | 58 | 30 | 4150 |
| 400 | 1"1/4 | WFG6004S38 | M52x2 | 30 | 31 | 54,0 | 10,29 | 68 | 16 | 61 | 38 | 4150 |
| 400 | 1"1/2 | WFG6005S38 | M52x2 | 30 | 36 | 63,5 | 12,57 | 76 | 16 | 72 | 38 | 4187 |

**DESIGNAZIONE PER ORDINE
DESIGNATION FOR ORDER**

Codolo con sede o-ring
Adapter with o-ring groove

Materiale / Material

ST52.3

WFG...L/S

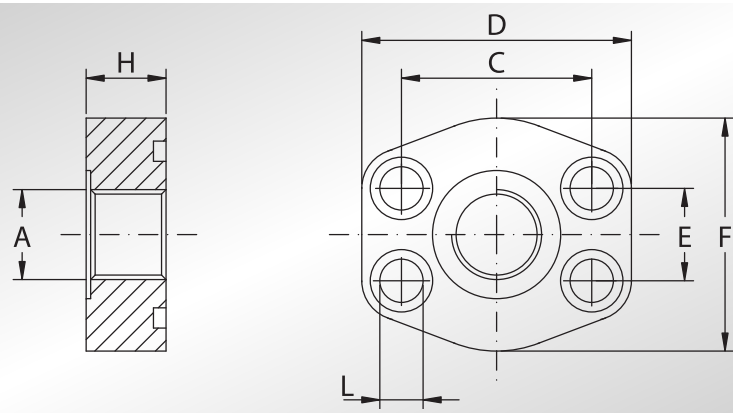
NOTE / NOTES

Rivestimento superficiale : zincatura gialla
Superficial coating : yellow zinking



FLANGE PIATTE FILETTATE GAS

BSP THREADED FLAT FLANGES



| Pressione max di esercizio raccomandata Kg/cm ² | Grandezza | Tipo | Dimensioni | | | | | | | Viti | | Or tipo | Peso Kg |
|--|-----------|------|------------|---|---|---|---|---|---|--------|-----|---------|-----------|
| Maximum recommended working pressure Kg/cm ² | Size | Type | Dimensions | | | | | | | Screws | | Or type | Weight Kg |
| | | | A | C | D | E | F | H | L | Metric | Unc | | |

SERIE 3000

| | | | | | | | | | | | | | |
|-----|-------|------------|-----------|--------|-----|-------|-----|----|------|--------|------------|------|------|
| 345 | 1" | AFC102G | 1" GAS | 52,37 | 70 | 26,19 | 60 | 19 | 11 | M10x35 | 3/8x1"1/2 | 4131 | 0,42 |
| 345 | 1" | AFC102G034 | 3/4" GAS | 52,37 | 70 | 26,19 | 60 | 19 | 11 | M10x35 | 3/8x1"1/2 | 4131 | 0,42 |
| 276 | 1"1/4 | AFC104G | 1"1/4 GAS | 58,72 | 79 | 30,18 | 68 | 19 | 11,5 | M10x40 | 7/16x1"3/4 | 4150 | 0,55 |
| 276 | 1"1/4 | AFC104G100 | 1" GAS | 58,72 | 79 | 30,18 | 68 | 19 | 11,5 | M10x40 | 7/16x1"3/4 | 4150 | 0,55 |
| 207 | 1"1/2 | AFC106G | 1"1/2 GAS | 69,85 | 93 | 35,71 | 78 | 19 | 13,5 | M12x45 | 1/2x1"3/4 | 4187 | 0,82 |
| 207 | 1"1/2 | AFC106G114 | 1"1/4 GAS | 69,85 | 93 | 35,71 | 78 | 19 | 13,5 | M12x45 | 1/2x1"3/4 | 4187 | 0,82 |
| 207 | 2" | AFC108G | 2" GAS | 77,77 | 102 | 42,88 | 90 | 19 | 13,5 | M12x45 | 1/2x1"3/4 | 4225 | 1,08 |
| 207 | 2" | AFC108G112 | 1"1/2 GAS | 77,77 | 102 | 42,88 | 90 | 19 | 13,5 | M12x45 | 1/2x1"3/4 | 4225 | 1,08 |
| 172 | 2"1/2 | AFC110G | 2"1/2 GAS | 88,90 | 114 | 50,80 | 105 | 19 | 13,5 | M12x45 | 1/2x1"3/4 | 4275 | 1,40 |
| 173 | 2"1/2 | AFC110G200 | 2" GAS | 88,90 | 114 | 50,80 | 105 | 19 | 13,5 | M12x45 | 1/2x1"3/4 | 4275 | 1,40 |
| 138 | 3" | AFC112G | 3" GAS | 106,38 | 134 | 61,93 | 124 | 23 | 17,5 | M16x50 | 5/8x2" | 4337 | 2,40 |
| 138 | 3" | AFC112G212 | 2"1/2 GAS | 106,38 | 134 | 61,93 | 124 | 23 | 17,5 | M16x50 | 5/8x2" | 4337 | 2,40 |
| 34 | 3"1/2 | AFC114G | 3"1/2 GAS | 120,65 | 152 | 69,85 | 136 | 21 | 17,5 | M16x50 | 5/8x2" | 4387 | 2,80 |
| 34 | 3"1/2 | AFC114G300 | 3" GAS | 120,65 | 152 | 69,85 | 136 | 21 | 17,5 | M16x50 | 5/8x2" | 4387 | 2,80 |
| 34 | 4" | AFC116G | 4" GAS | 130,18 | 162 | 77,77 | 146 | 24 | 17,5 | M16x50 | 5/8x2" | 4437 | 3,90 |
| 34 | 4" | AFC116G312 | 3"1/2 GAS | 130,18 | 162 | 77,77 | 146 | 24 | 17,5 | M16x50 | 5/8x2" | 4437 | 3,90 |

SERIE 6000

| | | | | | | | | | | | | | |
|-----|-------|-------------|-----------|--------|-----|-------|-----|----|------|---------|------------|------|------|
| 414 | 3/4" | AFC402G012 | 1/2" GAS | 50,80 | 71 | 23,80 | 60 | 19 | 11 | M10x40 | 3/8x1"1/2 | 4100 | 0,42 |
| 414 | 1" | AFC403G | 1" GAS | 57,15 | 81 | 27,76 | 70 | 23 | 13 | M12x45 | 7/16x1"3/4 | 4131 | 0,77 |
| 414 | 1" | AFC403G034 | 3/4" GAS | 57,15 | 81 | 27,76 | 70 | 23 | 13 | M12x45 | 7/16x1"3/4 | 4131 | 0,77 |
| 414 | 1"1/4 | AFC404G | 1"1/4 GAS | 66,68 | 95 | 31,75 | 78 | 26 | 15 * | M14x45 | 1/2x1"3/4 | 4150 | 1,16 |
| 414 | 1"1/4 | AFC404G100 | 1" GAS | 66,68 | 95 | 31,75 | 78 | 26 | 15 * | M14x45 | 1/2x1"3/4 | 4150 | 1,16 |
| 414 | 1"1/2 | AFC405G | 1"1/2 GAS | 79,38 | 112 | 36,50 | 94 | 29 | 17 | M16x50 | 5/8x2" | 4187 | 1,82 |
| 414 | 1"1/2 | AFC405G114 | 1"1/4 GAS | 79,38 | 112 | 36,50 | 94 | 29 | 17 | M16x50 | 5/8x2" | 4187 | 1,82 |
| 414 | 2" | AFC406G | 2" GAS | 96,82 | 134 | 44,45 | 114 | 28 | 21 | M20x70 | 3/4x2"1/2 | 4225 | 2,57 |
| 414 | 2" | AFC406G112 | 1"1/2 GAS | 96,82 | 134 | 44,45 | 114 | 28 | 21 | M20x70 | 3/4x2"1/2 | 4225 | 2,57 |
| 414 | 2"1/2 | AFC507G (•) | 2"1/2 GAS | 123,80 | 180 | 58,70 | 152 | 45 | 26 | M24x80 | – | 4275 | – |
| 414 | 3" | AFC508G (•) | 3" GAS | 152,40 | 208 | 71,40 | 178 | 55 | 33 | M30x100 | – | 4337 | – |

| DESIGNAZIONE PER ORDINE DESIGNATION FOR ORDER | Materiale / Material | |
|--|----------------------|------------------|
| | ST52.3 | AISI 316L |
| Solo flangia Only flange | AFC...G | AFCX...G |
| Flangia completa di viti metriche, grower e o-ring Flange complete of metric screws, grower type washers and o-ring | AFC...GM | AFCX...GM |
| Flangia completa di viti unc, grower e o-ring Flange complete of unc screws, grower type washers and o-ring | AFC...GU | AFCX...GU |

NOTE / NOTES

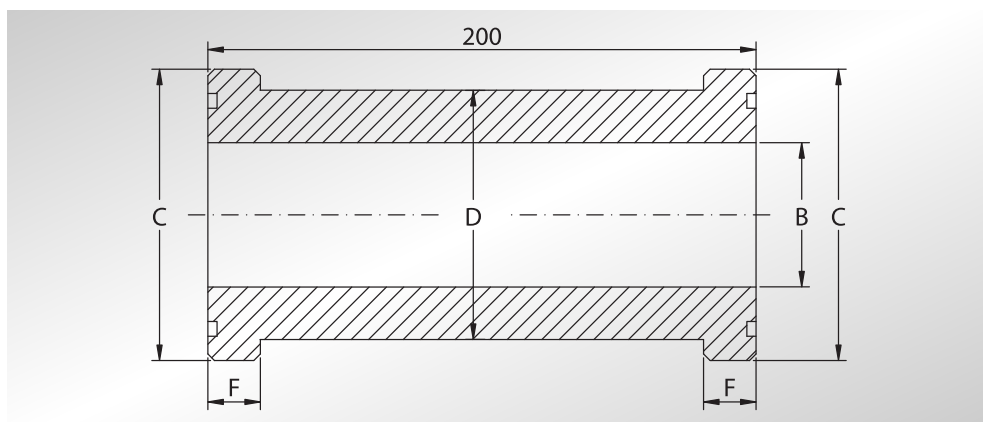
* Per viti unc L=13,5
* For unc screws L=13,5

(•) Solo in ST52.3
(•) Only in ST52.3

set viti unc disponibili solo in acciaio al carbonio.
unc screws set available only in carbon steel.



DOUBLE ADAPTERS



| Pressione max di esercizio raccomandata Kg/cm ² | Grandezza | Tipo | Dimensioni | | | | Or tipo |
|--|-----------|------|------------|---|---|---|---------|
| Maximum recommended working pressure Kg/cm ² | Size | Type | Dimensions | | | | Or type |
| | | | B | C | D | F | |

SERIE 3000

| | | | | | | | |
|-----|-------|---------|----|------|----|------|------|
| 345 | 3/4" | SFS302D | 19 | 38,1 | 32 | 6,73 | 4100 |
| 345 | 1" | SFS303D | 25 | 44,4 | 38 | 8,00 | 4131 |
| 276 | 1"1/4 | SFS304D | 32 | 50,8 | 43 | 8,00 | 4150 |
| 207 | 1"1/2 | SFS305D | 38 | 60,3 | 50 | 8,00 | 4187 |
| 207 | 2" | SFS306D | 50 | 71,4 | 62 | 9,53 | 4225 |

SERIE 6000

| | | | | | | | |
|-----|-------|---------|----|------|----|-------|------|
| 414 | 3/4" | SFS602D | 19 | 41,3 | 32 | 8,76 | 4100 |
| 414 | 1" | SFS603D | 25 | 47,6 | 38 | 9,53 | 4131 |
| 414 | 1"1/4 | SFS604D | 32 | 54,0 | 44 | 10,29 | 4150 |
| 414 | 1"1/2 | SFS605D | 38 | 63,5 | 51 | 12,57 | 4187 |
| 414 | 2" | SFS606D | 50 | 79,4 | 67 | 12,57 | 4225 |

| DESIGNAZIONE PER ORDINE DESIGNATION FOR ORDER | Materiale / Material | |
|--|------------------------------|-----------|
| | A105 o similare (or similar) | AISI 316L |

| | | |
|---------------------------------|----------------|----------------|
| Doppio codolo Double adapter | SFS...D | SFX...D |
|---------------------------------|----------------|----------------|

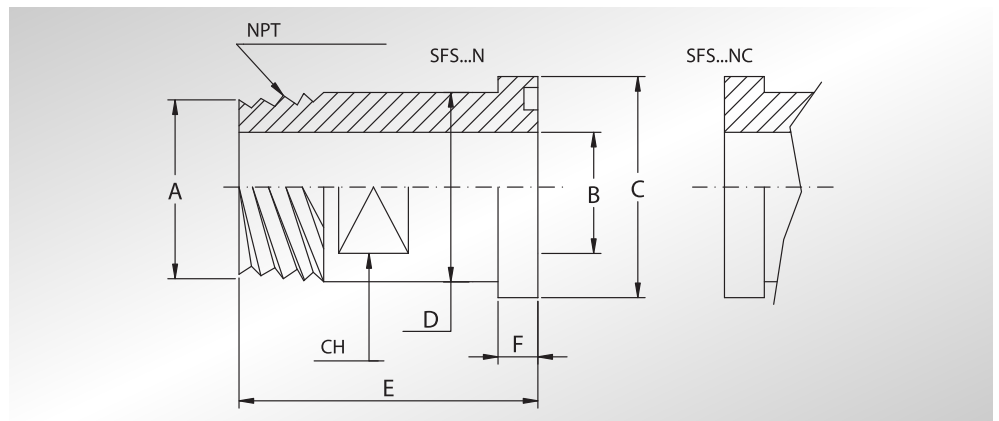
NOTE / NOTES





**CODOLI
FILETTATI NPT**

**NPT THREADED
ADAPTERS**



| Pressione max di esercizio raccomandata Kg/cm ² | Grandezza | Tipo | Dimensioni | | | | | | | Or tipo | Peso Kg |
|--|-----------|------|------------|---|---|---|---|---|----|---------|-----------|
| Maximum recommended working pressure Kg/cm ² | Size | Type | Dimensions | | | | | | | Or type | Weight Kg |
| | | | A | B | C | D | E | F | CH | | |

SERIE 3000

| | | | | | | | | | | | |
|-----|-------|---------|-------|----|------|----|----|------|----|------|------|
| 345 | 1/2" | SFS301N | 1/2" | 12 | 30,2 | 24 | 50 | 6,73 | 19 | 4075 | 0,08 |
| 345 | 3/4" | SFS302N | 3/4" | 17 | 38,1 | 32 | 55 | 6,73 | 27 | 4100 | 0,16 |
| 345 | 1" | SFS303N | 1" | 22 | 44,4 | 38 | 60 | 8,00 | 32 | 4131 | 0,23 |
| 276 | 1"1/4 | SFS304N | 1"1/4 | 27 | 50,8 | 43 | 65 | 8,00 | 41 | 4150 | 0,30 |
| 207 | 1"1/2 | SFS305N | 1"1/2 | 32 | 60,3 | 50 | 70 | 8,00 | 46 | 4187 | 0,40 |
| 207 | 2" | SFS306N | 2" | 40 | 71,4 | 62 | 75 | 9,53 | 55 | 4225 | 0,50 |

SERIE 6000

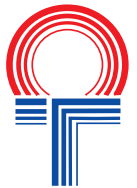
| | | | | | | | | | | | |
|-----|-------|---------|-------|----|------|----|----|-------|----|------|------|
| 414 | 1/2" | SFS601N | 1/2" | 12 | 31,8 | 24 | 50 | 7,75 | 19 | 4075 | 0,08 |
| 414 | 3/4" | SFS602N | 3/4" | 17 | 41,3 | 32 | 60 | 8,76 | 26 | 4100 | 0,15 |
| 414 | 1" | SFS603N | 1" | 22 | 47,6 | 38 | 70 | 9,53 | 32 | 4131 | 0,23 |
| 414 | 1"1/4 | SFS604N | 1"1/4 | 27 | 54,0 | 44 | 75 | 10,29 | 36 | 4150 | 0,30 |
| 414 | 1"1/2 | SFS605N | 1"1/2 | 32 | 63,5 | 51 | 80 | 12,57 | 41 | 4187 | 0,50 |
| 414 | 2" | SFS606N | 2" | 40 | 79,4 | 67 | 90 | 12,57 | 55 | 4225 | 0,80 |

| DESIGNAZIONE PER ORDINE DESIGNATION FOR ORDER | Materiale / Material | |
|---|------------------------------|-----------------|
| | A105 o similare (or similar) | AISI 316L |
| Codolo con sede o-ring Adapter with o-ring groove | SFS...N | SFX...N |
| Codolo senza sede o-ring Adapter without o-ring groove | SFS...NC | SFX...NC |

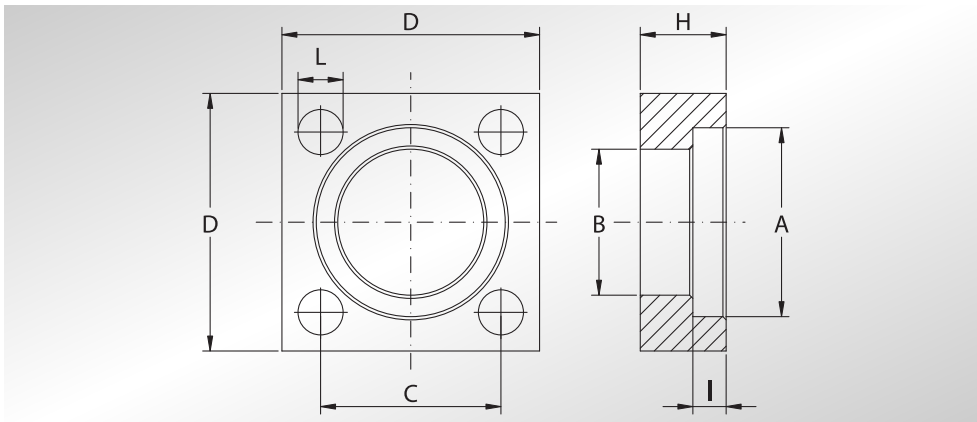
NOTE / NOTES

Rivestimento superficiale: zincatura gialla.
Superficial coating: yellow zinking.

**FLANGE QUADRE
ISO 6164**



**SQUARE FLANGES
ISO 6164**



| Pressione max di esercizio raccomandata Kg/cm ² | Grandezza | Tipo | Dimensioni | | | | | | | | Peso Kg |
|--|-----------|-----------|------------|--------|-------|-----|----|------|------|------|-----------|
| Maximum recommended working pressure Kg/cm ² | Size | Type | Dimensions | | | | | | | | Weight Kg |
| | | | A | B | C | D | H | I | L | | |
| SERIE 6000 | | | | | | | | | | | |
| 400 | 2" | Q2ST400 | 80,2 | 67,60 | 69,4 | 100 | 40 | 12,2 | 17,5 | 1,26 | |
| 400 | 2"1/2 | Q212ST400 | 95,0 | 80,50 | 83,4 | 120 | 50 | 16,1 | 22 | 2,37 | |
| 400 | 3" | Q3ST400 | 111,0 | 90,50 | 102,5 | 150 | 52 | 16,1 | 26 | 3,20 | |
| 400 | 4" | Q4ST400 | 136,0 | 114,50 | 127 | 180 | 70 | 21,0 | 33 | 9,95 | |

| DESIGNAZIONE PER ORDINE DESIGNATION FOR ORDER | Materiale / Material A105 o similare (or similar) |
|--|--|
|--|--|

NOTE / NOTES

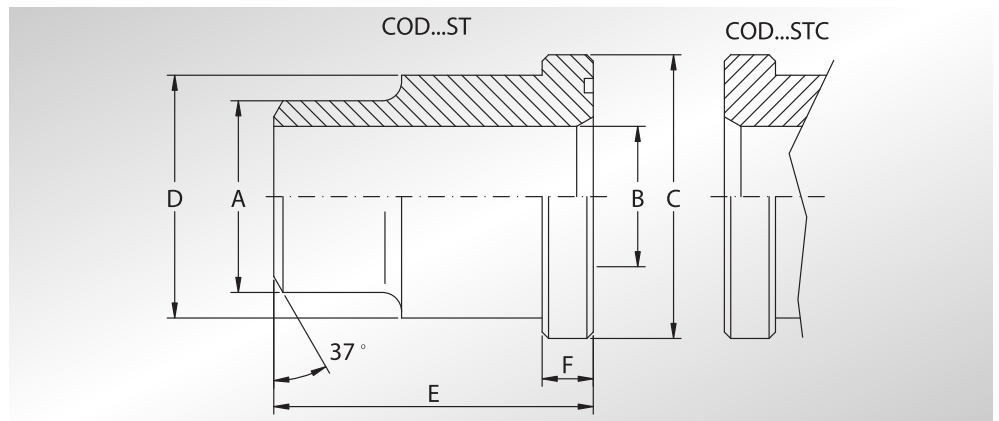
| | |
|-----------------------------|------------------|
| Solo flangia Only flange | Q...ST400 |
| | |

| | |
|--|--|
| | |
|--|--|



CODOLI A SALDARE DI TESTA ISO 6164

WELD ON ADAPTERS ISO 6164



| Pressione max. di esercizio raccomandata Kg/cm ² | Grandezza | Tipo | Dimensioni | | | | | | Or tipo | Peso Kg |
|--|-----------|-------------|-------------------|----|-------|-----|-----|------|---------|--------------|
| | | | Dimensions | | | | | | | |
| Maximum recommended working pressure Kg/cm ² | Size | Type | A | B | C | D | E | F | Or type | Weight Kg |
| | | | SERIE 6000 | | | | | | | |
| 400 | 2" | ISO2ST400 | 61 | 43 | 79,4 | 67 | 100 | 13,7 | 6225 | 1,6 |
| 400 | 2"1/2 | ISO212ST400 | 73 | 53 | 94,2 | 80 | 110 | 17,6 | 6275 | 2,65 |
| 400 | 3" | ISO3ST400 | 90 | 58 | 104,0 | 90 | 120 | 18 | 6300 | 3,8 |
| 400 | 4" | ISO4ST400 | 114 | 74 | 131,0 | 114 | 140 | 23,5 | 6350 | 6,35 |

DESIGNAZIONE PER ORDINE DESIGNATION FOR ORDER

Materiale / Material

NOTE / NOTES

Codolo con sede o-ring
Adapter with o-ring groove

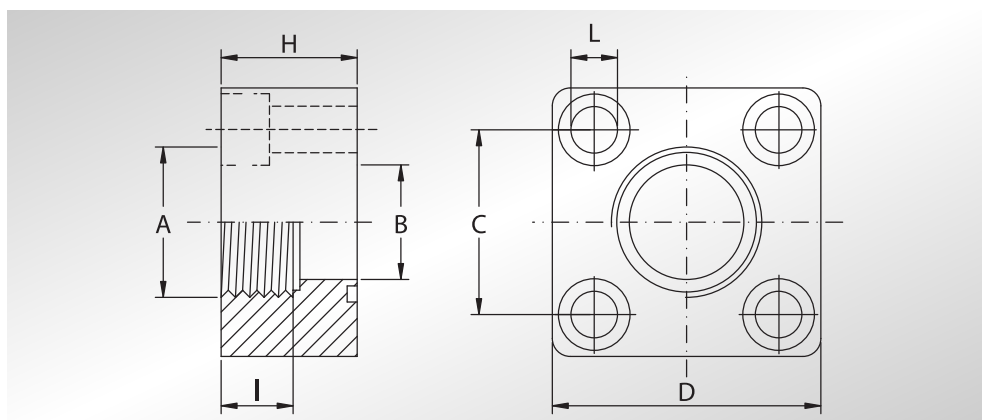
ISO...ST

ISOX...ST

Codolo senza sede o-ring
Adapter without o-ring groove

ISO...STC

ISOX...STC



| Pressione max di esercizio raccomandata Kg/cm ² | Grandezza | Tipo | Dimensioni | | | | | | | | Viti | Or tipo | Peso Kg |
|--|-----------|----------|------------|----|------|-----|----|----|-----|--------|--------|---------|-----------|
| Maximum recommended working pressure Kg/cm ² | Size | Type | Dimensions | | | | | | | | Screws | Or type | Weight Kg |
| | | | A | B | C | D | H | I | L | Metric | | | |
| SERIE 3000 / 6000 | | | | | | | | | | | | | |
| 400 | 3/8" | CETA38G | 3/8" GAS | 13 | 24,7 | 40 | 23 | 13 | 6,5 | M8x40 | 3068 | 0,20 | |
| 400 | 1/2" | CETA12G | 1/2" GAS | 13 | 29,7 | 45 | 32 | 15 | 8,5 | M8x45 | 4075 | 0,22 | |
| 400 | 3/4" | CETA34G | 3/4" GAS | 19 | 35,3 | 50 | 32 | 18 | 8,5 | M8x45 | 4100 | 0,30 | |
| 400 | 1" | CETA1G | 1" GAS | 25 | 43,8 | 65 | 36 | 20 | 11 | M10x50 | 4131 | 0,58 | |
| 400 | 1"1/4 | CETA114G | 1"1/4 GAS | 32 | 51,6 | 75 | 38 | 22 | 13 | M12x55 | 4150 | 0,90 | |
| 400 | 1"1/2 | CETA112G | 1"1/2 GAS | 38 | 60,0 | 85 | 42 | 24 | 15 | M14x65 | 4187 | 1,30 | |
| 400 | 2" | CETA2G | 2" GAS | 51 | 69,4 | 100 | 44 | 27 | 17 | M16x70 | 4225 | 1,80 | |

**DESIGNAZIONE PER ORDINE
DESIGNATION FOR ORDER**

Materiale / Material

A105 o similare (or similar)

Solo flangia
Only flange

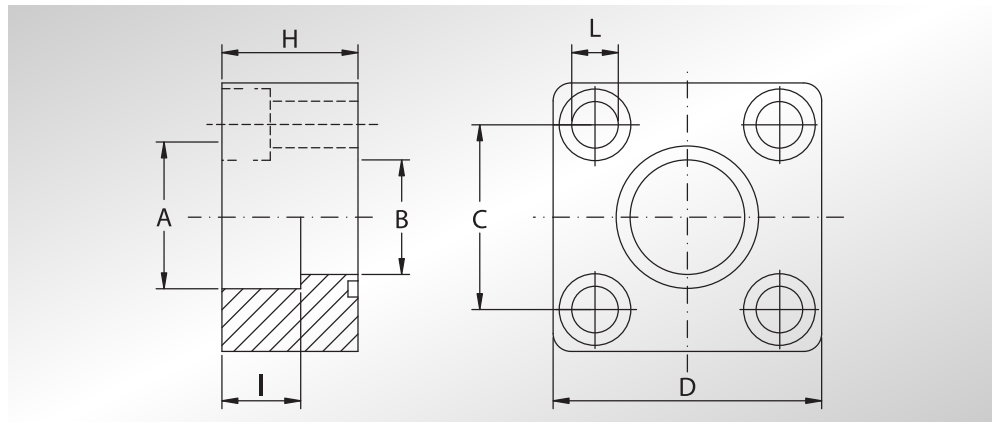
CETA...G

NOTE / NOTES



FLANGE CETOP A SALDARE DI TASCA

WELD IN CETOP FLANGES



| Pressione max di esercizio raccomandata Kg/cm ² | Grandezza | Tipo | Dimensioni | | | | | | | Viti | Or tipo |
|--|-----------|---------|------------|----|-------|-----|----|----|-----|---------|---------|
| Maximum recommended working pressure Kg/cm ² | Size | Type | Dimensions | | | | | | | Screws | Or type |
| | | | A | B | C | D | H | I | L | Metric | |
| SERIE 3000 / 6000 | | | | | | | | | | | |
| 400 | 1/2" | CET12S | 21,60 | 13 | 29,7 | 45 | 32 | 13 | 8,5 | M8x45 | 4075 |
| 400 | 3/4" | CET34S | 27,20 | 19 | 35,3 | 50 | 32 | 14 | 8,5 | M8x45 | 4100 |
| 400 | 1" | CET1S | 34,50 | 25 | 43,8 | 65 | 36 | 16 | 11 | M10x50 | 4131 |
| 400 | 1"1/4 | CET114S | 42,80 | 32 | 51,6 | 75 | 38 | 18 | 13 | M12x55 | 4150 |
| 400 | 1"1/2 | CET112S | 48,60 | 38 | 60,0 | 85 | 42 | 20 | 15 | M14x65 | 4187 |
| 400 | 2" | CET2S | 61,00 | 51 | 69,4 | 100 | 44 | 22 | 17 | M16x70 | 4225 |
| 400 | 2"1/2 | CET212S | 77,00 | 63 | 83,4 | 120 | 48 | 24 | 21 | M20x80 | 4275 |
| 400 | 3" | CET32S | 91,00 | 73 | 102,5 | 140 | 55 | 28 | 21 | M20x90 | 4337 |
| 400 | 4" | CET4S | 115,00 | 99 | 113,2 | 160 | 60 | 30 | 25 | M24x100 | 4387 |

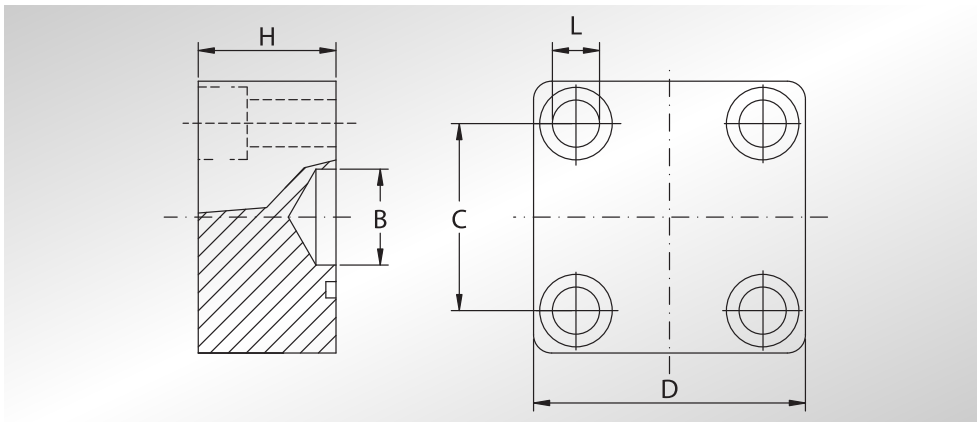
DESIGNAZIONE PER ORDINE
DESIGNATION FOR ORDER

Materiale / Material
A105 o similare (or similar)

NOTE / NOTES

Solo flangia
Only flange

CET...S



| Pressione max di esercizio raccomandata Kg/cm ² | Grandezza | Tipo | Dimensioni | | | | | Viti | Or tipo |
|--|-----------|---------|------------|-------|-----|----|-----|---------|---------|
| Maximum recommended working pressure Kg/cm ² | Size | Type | Dimensions | | | | | Screws | Or type |
| | | | B | C | D | H | L | Metric | |
| SERIE 3000 / 6000 | | | | | | | | | |
| 400 | 1/2" | CET12C | 14 | 29,7 | 45 | 32 | 8,5 | M8x45 | 4075 |
| 400 | 3/4" | CET34C | 19 | 35,3 | 50 | 32 | 8,5 | M8x45 | 4100 |
| 400 | 1" | CET1C | 25 | 43,8 | 65 | 35 | 11 | M10x50 | 4131 |
| 400 | 1"1/4 | CET114C | 30 | 51,6 | 75 | 38 | 13 | M12x55 | 4150 |
| 400 | 1"1/2 | CET112C | 36 | 60,0 | 85 | 42 | 15 | M14x65 | 4187 |
| 400 | 2" | CET2C | 45 | 69,4 | 100 | 44 | 17 | M16x70 | 4225 |
| 400 | 2"1/2 | CET212C | 58 | 83,4 | 120 | 55 | 21 | M20x80 | 4275 |
| 400 | 3" | CET32C | 60 | 102,5 | 140 | 60 | 21 | M20x90 | 4337 |
| 400 | 4" | CET4C | 70 | 113,2 | 160 | 60 | 25 | M24x100 | 4387 |

| DESIGNAZIONE PER ORDINE DESIGNATION FOR ORDER | Materiale / Material A105 o similare (or similar) |
|--|--|
|--|--|

Solo flangia
Only flange

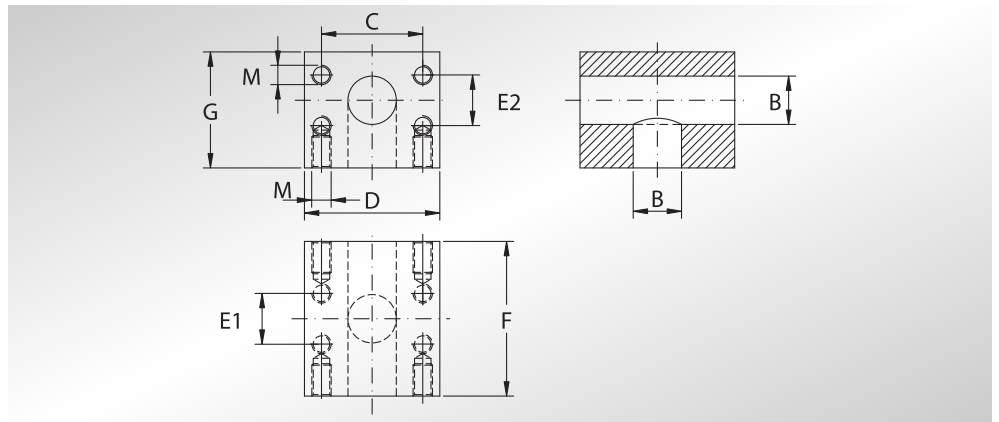
CET...C

NOTE / NOTES



BLOCCHI SAE A "T"

SAE "T" BLOCKS



| Pressione max di esercizio raccomandata Kg/cm ² | Grandezza | Tipo | Dimensioni | | | | | | | | Peso Kg |
|--|-----------|------|------------|---|---|----|----|---|---|---|-----------|
| Maximum recommended working pressure Kg/cm ² | Size | Type | Dimensions | | | | | | | | Weight Kg |
| | | | B | C | D | E1 | E2 | F | G | M | |

SERIE 3000

| | | | | | | | | | | | |
|-----|-------|-----------|----|-------|-----|-------|-------|-----|-----|-----|------|
| 345 | 3/4" | TBL302302 | 19 | 47,60 | 65 | 22,23 | 22,23 | 75 | 55 | M10 | 1,80 |
| 345 | 1" | TBL303303 | 25 | 52,37 | 70 | 26,19 | 26,19 | 80 | 60 | M10 | 2,30 |
| 276 | 1"1/4 | TBL304304 | 32 | 58,79 | 80 | 30,18 | 30,18 | 90 | 70 | M10 | 3,90 |
| 207 | 1"1/2 | TBL305305 | 38 | 69,85 | 95 | 35,71 | 35,71 | 110 | 85 | M12 | 6,30 |
| 207 | 2" | TBL306306 | 50 | 77,77 | 110 | 42,88 | 42,88 | 120 | 100 | M12 | 8,30 |

SERIE 6000

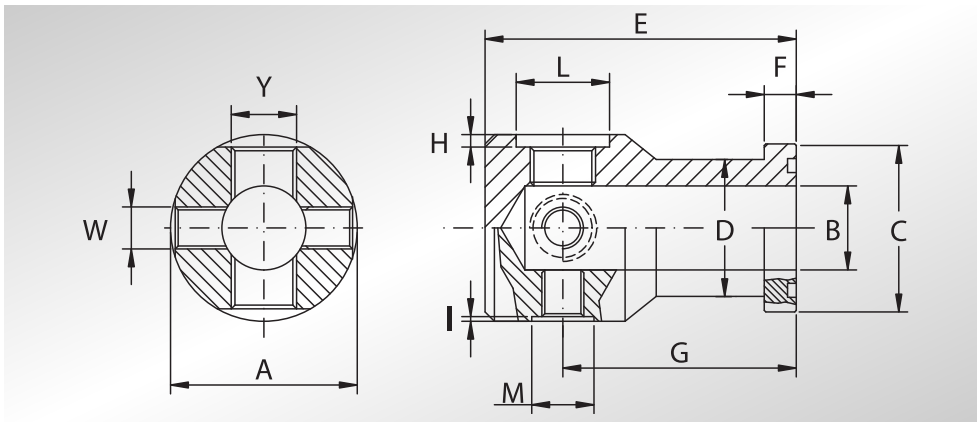
| | | | | | | | | | | | |
|-----|-------|-----------|----|-------|-----|-------|-------|-----|-----|-----|-------|
| 400 | 3/4" | TBL602602 | 19 | 50,80 | 72 | 23,80 | 23,80 | 70 | 55 | M10 | 1,70 |
| 400 | 1" | TBL603603 | 23 | 57,15 | 82 | 27,76 | 27,76 | 80 | 64 | M12 | 2,90 |
| 400 | 1"1/4 | TBL604604 | 30 | 66,68 | 100 | 31,75 | 31,75 | 92 | 72 | M14 | 3,80 |
| 400 | 1"1/2 | TBL605605 | 38 | 79,38 | 110 | 36,50 | 36,50 | 98 | 100 | M16 | 8,90 |
| 400 | 2" | TBL606606 | 50 | 98,82 | 133 | 44,45 | 44,45 | 140 | 105 | M20 | 12,70 |

| DESIGNAZIONE PER ORDINE DESIGNATION FOR ORDER | Materiale / Material A105 o similare (or similar) |
|--|--|
|--|--|

Blocco sae
Sae block

TBL.....

NOTE / NOTES



| Tipo | Dimensioni | | | | | | | | | | | | | Or tipo |
|-------------------|------------|----|------|----|-----|-------|----|---|-----|----|----|----------|----------|---------|
| Type | Dimensions | | | | | | | | | | | | | Or type |
| | A | B | C | D | E | F | G | H | I | L | M | W | Y | |
| SERIE 3000 | | | | | | | | | | | | | | |
| COL303 | 54 | 22 | 44,4 | 38 | 100 | 8 | 75 | 4 | 1,5 | 30 | 21 | 1/4" GAS | 3/4" GAS | 4131 |
| COL304 | 64 | 28 | 50,8 | 43 | 100 | 8 | 75 | 4 | 1,5 | 30 | 21 | 1/4" GAS | 3/4" GAS | 4150 |
| COL305 | 70 | 32 | 60,3 | 50 | 100 | 8 | 75 | 4 | 1,5 | 30 | 21 | 1/4" GAS | 3/4" GAS | 4187 |
| COL306 | 80 | 50 | 71,4 | 62 | 100 | 9,53 | 75 | 4 | 1,5 | 30 | 21 | 1/4" GAS | 3/4" GAS | 4225 |
| SERIE 6000 | | | | | | | | | | | | | | |
| COL603 | 64 | 25 | 47,6 | 38 | 100 | 9,53 | 75 | 4 | 1,5 | 30 | 21 | 1/4" GAS | 3/4" GAS | 4131 |
| COL604 | 64 | 27 | 54,0 | 44 | 100 | 10,29 | 75 | 4 | 1,5 | 30 | 21 | 1/4" GAS | 3/4" GAS | 4150 |
| COL605 | 70 | 32 | 63,5 | 51 | 100 | 12,57 | 75 | 4 | 1,5 | 30 | 21 | 1/4" GAS | 3/4" GAS | 4187 |
| COL606 | 80 | 45 | 79,4 | 67 | 110 | 12,57 | 85 | 4 | 1,5 | 30 | 21 | 1/4" GAS | 3/4" GAS | 4225 |

**DESIGNAZIONE PER ORDINE
DESIGNATION FOR ORDER**

Il codolo può essere costruito secondo le esigenze con 1 o 2 o 3 o 4 fori con dimensioni da 1/4" a 3/4" gas

The adapter can be made in accordance with the needs with 1 or 2 or 3 or 4 holes with dimensions from 1/4" to 3/4"

Materiale / Material

A105 o similare (or similar)

ES.: COL604Y3/4 (1 FORO)

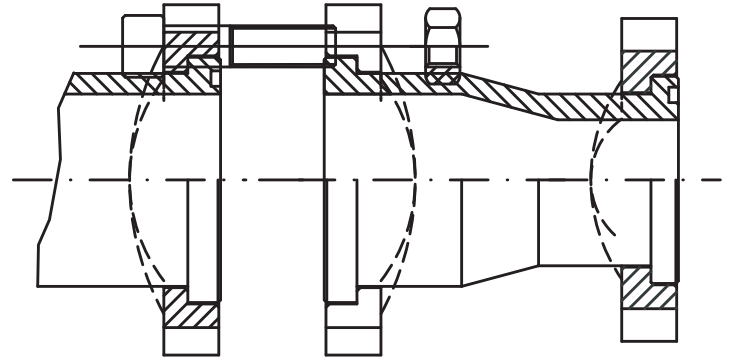
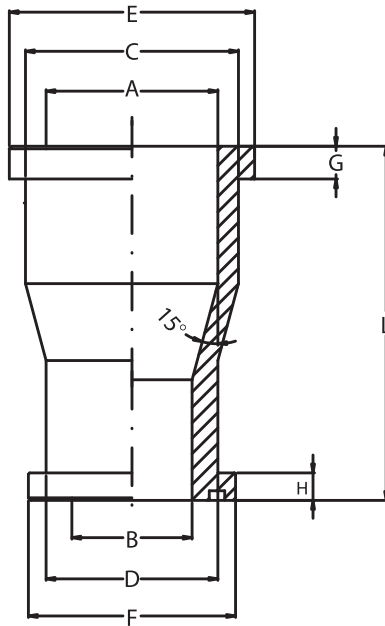
EX.: COL 604Y3/4 (1 HOLE)

NOTE / NOTES



**TABELLA TECNICA PER
DIMENSIONI CODOLO
DI RIDUZIONE**

**TECHNICAL TABLE FOR
DIMENSIONS OF
REDUCER ADAPTER**



SCHEMA DI APPLICAZIONE
SCHEME OF APPLICATION

CLIENTE / CUSTOMER: _____

COMPILARE LA TABELLA CON LE DIMENSIONI
CHE SERVONO.

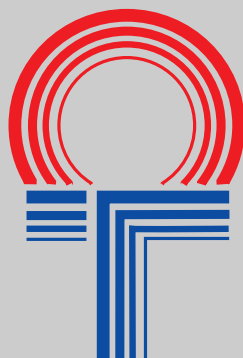
FILL THE TABLE WITH THE DIMENSIONS
YOU NEED

| A | B | C | D | E | F | G | H | L |
|---|---|---|---|---|---|---|---|---|
| | | | | | | | | |

| | | | | |
|---|----------|-----------------------------------|-----------|--------|
| UFF. TECN. UFF. PROD. | FORGIATO | SCALA | DISEGNATO | DATA : |
| O - RING | VITE | SERIE | BAR | |
| OLEO TECNICA SRL | | DESCRIZIONE : CODOLO DI RIDUZIONE | | |
| VIA GEROMINA 6/B FRAZ. GEROMINA 24047 TREVIGLIO (BG) TEL. 0363/40447 | | DISEGNO N. : SFS ___ / ___ | | |

**TABELLE TECNICHE PER PRODOTTI
ACCESSORI PER FLANGE SAE**

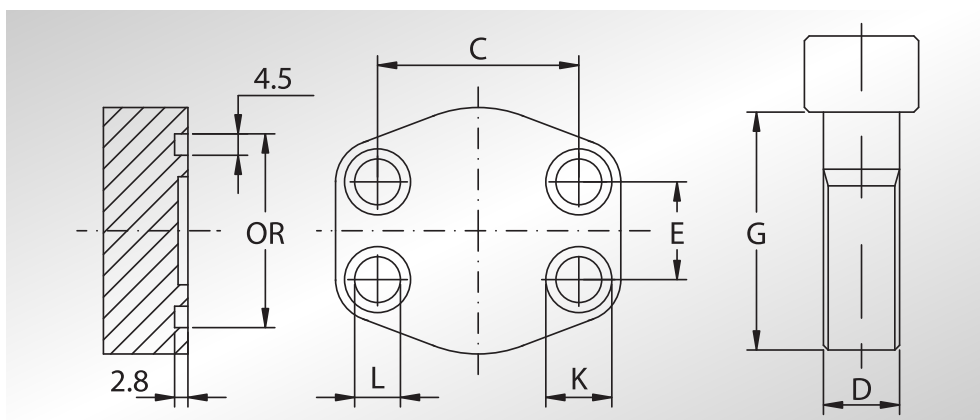
***TECHNICAL TABLES RELEVANT TO ACCESSORIES
FOR SAE FLANGES***





**TABELLA RIASSUNTIVA
CARATTERISTICHE
TECNICHE
FLANGE SAE**

**RESUMING TABLE
WITH SAE
FLANGES TECHNICAL
CHARACTERISTICS**



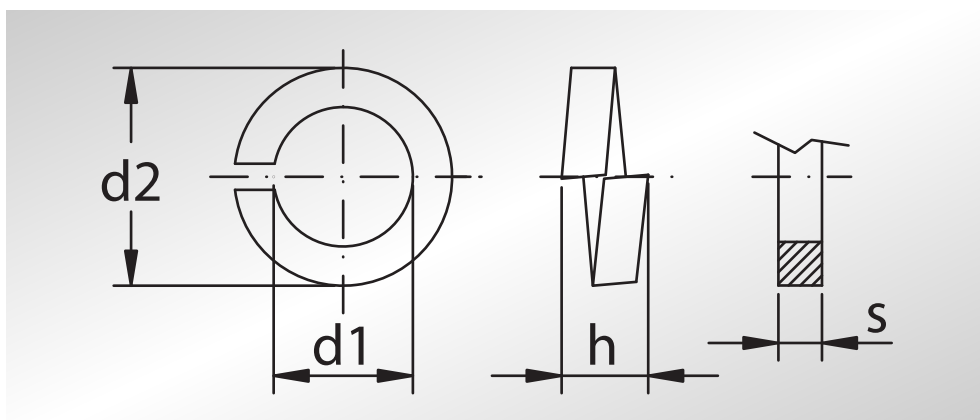
| SAE | GRAND. | INTERASSE C | INTERASSE E | DIAM. FORI L | FILETT. METRICO DxG VITI METR. |
|-------------------|--------|--------------------------|--------------------------|---------------|------------------------------------|
| SAE | SIZE | DISTANCE BETWEEN HOLES C | DISTANCE BETWEEN HOLES E | HOLES DIAM. L | METRIC THREAD DxG METRIC SCREWS |
| SERIE 3000 | | | | | |
| 1/2" | 80 | 38,1 | 17,48 | 9 | M8x30 |
| 3/4" | 100 | 47,63 | 22,23 | 11 | M10x35 |
| 1" | 102 | 52,37 | 26,19 | 11 | M10x35 |
| 1"1/4 | 104 | 58,72 | 30,18 | 11,5 | M10x40 |
| 1"1/2 | 106 | 69,85 | 35,71 | 13,5 | M12x45 |
| 2" | 108 | 77,77 | 42,88 | 13,5 | M12x45 |
| 2"1/2 | 110 | 88,90 | 50,80 | 13,5 | M12x45 |
| 3" | 112 | 106,38 | 61,93 | 17,5 | M16x50 |
| 3"1/2 | 114 | 120,65 | 69,85 | 17,5 | M16x50 |
| 4" | 116 | 130,18 | 77,77 | 17,5 | M16x50 |
| SERIE 6000 | | | | | |
| 1/2" | 401 | 40,49 | 18,24 | 9 | M8x30 |
| 3/4" | 402 | 50,80 | 23,80 | 11 | M10x40 |
| 1" | 403 | 57,15 | 27,76 | 13 | M12x45 |
| 1"1/4 | 404 | 66,68 | 31,75 | 15 | M14x45 |
| 1"1/2 | 405 | 79,38 | 36,50 | 17 | M16x50 |
| 2" | 406 | 96,82 | 44,45 | 21 | M20x70 |
| 2"1/2 | 507 | 123,8 | 58,70 | 26 | M24x100 |
| 3" | 508 | 152,4 | 71,4 | 33 | M30x100 |

| GROWER METRIC. | FILETT. UNC DxG VITI UNC | GROWER UNC | LAMAT. K | O-RING | DIAM. EST. OR | TOLLER. O-RING |
|----------------|------------------------------|------------|---------------|--------|------------------|-------------------|
| METRIC GROWER | UNC THREAD DxG UNC SCREWS | UNC GROWER | SPOT FACING K | O-RING | OUTSIDE OR DIAM. | O-RING TOLERANCES |
| 8 | 5/16x1"1/4 | 8 | - | 4075 | 25,5 | -0,15 |
| 10 | 3/8x1"1/2 | 10 | 17 | 4100 | 31,9 | -0,15 |
| 10 | 3/8x1"1/2 | 10 | 17 | 4131 | 39,7 | -0,15 |
| 10 | 7/16x1"3/4 | 7/16" | 17,5 | 4150 | 44,6 | -0,15 |
| 12 | 1/2x1"3/4 | 1/2" | 20 | 4187 | 54 | -0,25 |
| 12 | 1/2x1"3/4 | 1/2" | 20 | 4225 | 63,5 | -0,25 |
| 12 | 1/2x1"3/4 | 1/2" | 20 | 4275 | 76,3 | -0,25 |
| 16 | 5/8x2" | 16 | 25 | 4337 | 92,1 | -0,25 |
| 16 | 5/8x2" | 16 | 25 | 4387 | 104,5 | -0,3 |
| 16 | 5/8x2" | 16 | 25 | 4437 | 117 | + / -0,2 |
| 8 | 5/16x1"1/4 | | - | 4075 | 25,5 | -0,15 |
| 10 | 3/8x1"1/2 | | 17 | 4100 | 31,9 | -0,15 |
| 14 | 7/16x1"3/4 | 7/16" | 20 | 4131 | 39,7 | -0,15 |
| 14 | 1/2x1"3/4 | 1/2" | 22 | 4150 | 44,6 | -0,15 |
| 16 | 5/8x2" | 16 | 25 | 4187 | 54 | -0,25 |
| 20 | 3/4x2"1/2 | 20 | 32 | 4225 | 63,5 | -0,25 |
| 24 | - | - | - | 4275 | 76,3 | -0,25 |
| 30 | - | - | - | 4337 | 92,1 | -0,25 |



**RONELLE GROWER
DIN 7980**

**SPRINGLOCKWASHERS
WITH SQUARE ENDS
ACCORDING TO
DIN 7980**



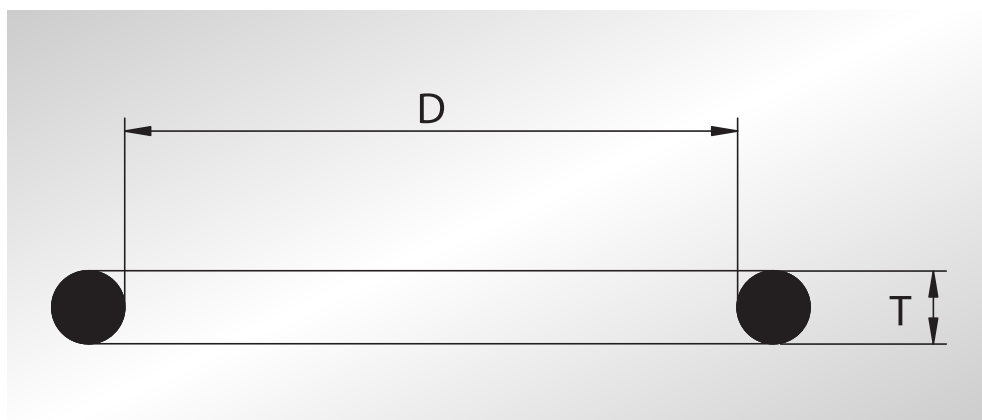
| Per viti con diam. For screws with diam. | d1 | d2 | s | h | |
|---|------|------|-----|-------------------|--------------------|
| | | | | Minimo Minimum | Massimo Maximum |
| M3 | 3,1 | 5,6 | 1,0 | 1,70 | 2,30 |
| M3,5 | 3,6 | 6,1 | 1,0 | 1,70 | 2,30 |
| M4 | 4,1 | 7,0 | 1,2 | 2,04 | 2,76 |
| M5 | 5,1 | 8,6 | 1,5 | 2,55 | 3,45 |
| M6 | 6,1 | 9,7 | 1,5 | 2,55 | 3,45 |
| M8 | 8,2 | 12,8 | 2,0 | 3,40 | 4,60 |
| M10 | 10,2 | 16,1 | 2,5 | 4,25 | 5,75 |
| M12 | 12,2 | 18,3 | 2,5 | 4,25 | 5,75 |
| M14 | 14,2 | 21,4 | 3,0 | 5,10 | 6,90 |
| M16 | 16,2 | 24,6 | 3,5 | 5,95 | 8,05 |
| M18 | 18,2 | 26,6 | 3,5 | 5,95 | 8,05 |
| M20 | 20,2 | 30,6 | 4,5 | 7,65 | 10,35 |
| M22 | 22,5 | 32,9 | 4,5 | 7,65 | 10,35 |
| M24 | 24,5 | 35,9 | 5,0 | 8,50 | 11,50 |
| M27 | 27,5 | 38,9 | 5,0 | 8,50 | 11,50 |
| M30 | 30,5 | 44,2 | 6,0 | 10,20 | 13,80 |
| M33 | 33,5 | 47,2 | 6,0 | 10,20 | 13,80 |
| M36 | 36,5 | 52,3 | 7,0 | 11,90 | 16,10 |
| M42 | 42,5 | 60,3 | 8,0 | 13,60 | 18,40 |

Dimensioni in mm
Dimensions in mm

DIMENSIONI O-RING SAE



SAE O-RING DIMENSIONS



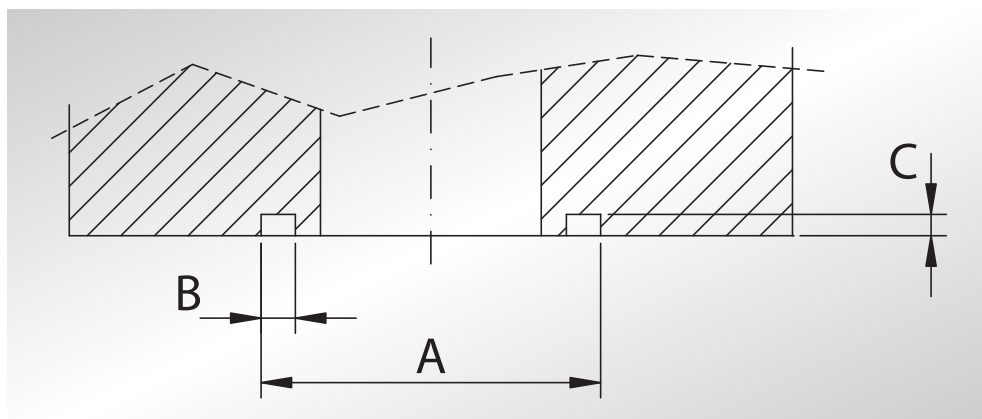
| TIPO O-RING O-RING TYPE | D | T |
|----------------------------|-------|------|
| 121 | 15,88 | 1,78 |
| 132 | 23,81 | 2,62 |
| 144 | 39,69 | 3,53 |
| 150 | 46,04 | 3,53 |
| 156 | 52,39 | 3,53 |
| 2056 | 14,00 | 1,78 |
| 2075 | 18,77 | 1,78 |
| 2100 | 25,12 | 1,78 |
| 3068 | 17,13 | 2,62 |
| 3075 | 18,72 | 2,62 |
| 3100 | 25,07 | 2,62 |
| 3125 | 31,42 | 2,62 |
| 4075 | 18,64 | 3,53 |
| 4100 | 24,99 | 3,53 |
| 4112 | 28,17 | 3,53 |

| TIPO O-RING O-RING TYPE | D | T |
|----------------------------|-------|------|
| 4131 | 32,93 | 3,53 |
| 4150 | 37,69 | 3,53 |
| 4187 | 47,22 | 3,53 |
| 4225 | 56,74 | 3,53 |
| 4237 | 59,92 | 3,53 |
| 4275 | 69,44 | 3,53 |
| 4337 | 85,32 | 3,53 |
| 4387 | 98,02 | 3,53 |
| 4437 | 110,7 | 3,53 |
| 4537 | 136,1 | 3,53 |
| 6225 | 56,52 | 5,34 |
| 6275 | 69,22 | 5,34 |
| 6300 | 75,57 | 5,34 |
| 6350 | 88,27 | 5,34 |
| 6387 | 97,79 | 5,34 |

DIMENSIONI SEDE O-RING SAE



SAE O-RING SEAT DIMENSIONS



| TIPO O-RING O-RING TYPE | A | B | C |
|----------------------------|------|-----|------|
| 121 | 21 | 3,5 | 2,15 |
| 132 | 29 | 3,5 | 2,15 |
| 144 | 46 | 4,5 | 2,8 |
| 150 | 53 | 4,5 | 2,8 |
| 156 | 60 | 4,5 | 2,8 |
| 2056 | 18 | 2,5 | 1,3 |
| 2075 | 22 | 2,5 | 1,3 |
| 2100 | 28 | 2,5 | 1,3 |
| 3068 | 22 | 3,5 | 2,15 |
| 3075 | 24 | 3,5 | 2,15 |
| 3100 | 30 | 3,5 | 2,15 |
| 3125 | 37 | 3,5 | 2,15 |
| 4075 | 25,5 | 4,5 | 2,8 |
| 4100 | 31,9 | 4,5 | 2,8 |
| 4112 | 39,7 | 4,5 | 2,8 |

| TIPO O-RING O-RING TYPE | A | B | C |
|----------------------------|-------|-----|-----|
| 4131 | 39,7 | 4,5 | 2,8 |
| 4150 | 44,6 | 4,5 | 2,8 |
| 4187 | 54 | 4,5 | 2,8 |
| 4225 | 63,5 | 4,5 | 2,8 |
| 4237 | 67 | 4,5 | 2,8 |
| 4275 | 76,3 | 4,5 | 2,8 |
| 4337 | 92,1 | 4,5 | 2,8 |
| 4387 | 104,5 | 4,5 | 2,8 |
| 4437 | 117 | 4,5 | 2,8 |
| 4537 | 143 | 4,5 | 2,8 |
| 6225 | 68 | 7 | 4,5 |
| 6275 | 80 | 7 | 4,5 |
| 6300 | 86 | 7 | 4,5 |
| 6350 | 98 | 7 | 4,5 |
| 6387 | 108 | 7 | 4,5 |



**TABELLA SPESSORI SCHEDULE TUBI
PER CORRISPONDENZA
CON QUOTA "B" FLANGE SAE A SALDARE**

**TABLE FOR PIPES' THICKNESS
FOR CROSS REFERENCE
WITH "B" DIMENSION OF WELDING SAE FLANGES**

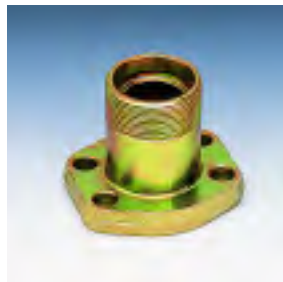
| RIF. O.I. 3000 | RIF. O.I. 6000 | CARATTERISTICHE TUBO PIPE'S CHARACTERISTICS | | | SPESSORE THICKNESS | | | | FLANGE "ST" STANDARD TUBO GAS | ANNOTAZIONI |
|----------------------|----------------------|--|---------------------------------|--|-----------------------|------------|-------------|-------------|-----------------------------------|-------------|
| | | GRANDEZZA SIZE | DIAM. NOMINALE NOMINAL DIAM. | DIAM. EST. TUBO PIPE OUTSIDE DIAM. | SCH. 40 | SCH. 80 | SCH. 160 | SCH. XXS | BSP PIPE STANDARD "ST" FLANGES | NOTES |
| 080038 | 401038 | 3/8" | 10 | 17,15 | 2,31 | 3,2 | — | — | 2,25 | |
| 080 | 401012 | 1/2" | 15 | 21,34 | 2,77 | 3,73 | 4,78 | 7,47 | 4,25 | |
| 100 | 402 | 3/4" | 20 | 26,67 | 2,87 | 3,91 | 5,56 | 7,82 | 4,5 | |
| 102 | 403 | 1" | 25 | 33,4 | 3,38 | 4,55 | 6,35 | 9,09 | 4,5 | |
| 104 | 404 | 1"1/4 | 32 | 42,16 | 3,56 | 4,85 | 6,35 | 9,7 | 5,4 | |
| 106 | 405 | 1"1/2 | 40 | 48,26 | 3,68 | 5,08 | 7,14 | 10,16 | 5,3 | |
| 108 | 406 | 2" | 50 | 60,3 | 3,91 | 5,54 | 8,74 | 11,07 | 5 | |
| 110 | 507 | 2"1/2 | 65 | 73,03 | 5,15 | 7,01 | 9,52 | 14,02 | 7 | |
| 112 | 508 | 3" | 80 | 88,9 | 5,49 | 7,62 | 11,13 | 15,24 | 9,5 | |
| 114 | — | 3"1/2 | 90 | 101,6 | 5,74 | 8,08 | — | — | 7 | |
| 116 | — | 4" | 100 | 114,3 | 6,02 | 8,56 | 13,49 | 17,12 | 8,25 | |
| 118 | — | 5" | 125 | 141,3 | 6,55 | 9,52 | 15,88 | 19,05 | 10,1 | |



APPARECCHIATURA DI MISURA TRIDIMENSIONALE A C.N. (SALA METROLOGICA)



FLANGIA JIC



FLANGIA FILETTATA METRICA
ATTACCO DIN



SEMIFLANGIA CON CODOLO



RACCORDO 90° A 3 FORI



FLANGIA FILETTATA GAS



CONTROFLANGIA PIATTA
A SILDARE DI TASCA



ACCOPPIAMENTO SEMIFLANGIA INTERA
FORI FILETTATI CON CODOLO A
SILDARE DI TESTA E FLANGIA
FILETTATA GAS



ACCOPPIAMENTO SEMIFLANGIA INTERA
FORI FILETTATI CON CODOLO A
SILDARE DI TESTA E FLANGIA A 90°
A SILDARE DI TESTA



CENTRALA ELBLĄG

Ul. Rawska 19B
82-300 Elbląg

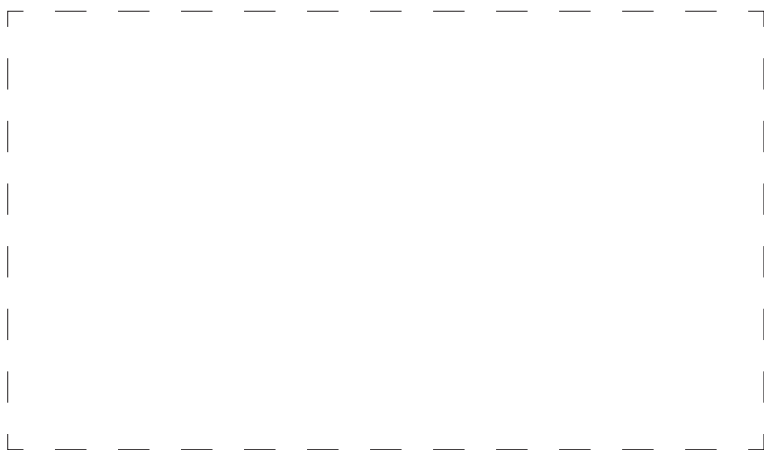
tel. /+48/ 55 625 51 00

fax /+48/ 55 625 51 01

Dział Handlowy

tel. /+48/ 55 625 51 51

elblag@hydropress.pl



www.hydropress.pl

ODDZIAŁ GDAŃSK

tel. /+48/ 55 625 51 21

fax /+48/ 55 625 51 22

ODDZIAŁ RUMIA

tel. /+48/ 58 679 34 15

fax /+48/ 55 625 51 25

ODDZIAŁ TYCHY

tel. /+48/ 32 787 52 88

fax /+48/ 55 625 51 38

ODDZIAŁ OLSZTYN

tel. /+48/ 89 532 01 05

fax /+48/ 89 715 21 42

ODDZIAŁ WARSZAWA

tel. /+48/ 22 468 86 97

fax /+48/ 55 625 51 32

BIURO HANDLOWE WROCŁAW

tel. /+48/ 782 838 000

fax /+48/ 55 625 51 35

BIURO HANDLOWE KIELCE

tel. /+48/ 885 995 501

fax /+48/ 55 625 51 01

BIURO HANDLOWE KRAKÓW

tel. /+48/ 885 995 019

fax /+48/ 55 625 51 01

BIURO HANDLOWE OPOLE

tel. /+48/ 885 995 011

fax /+48/ 55 625 51 01

BIURO HANDLOWE BYDGOSZCZ

tel. /+48/ 790 222 771

fax /+48/ 55 625 51 01