



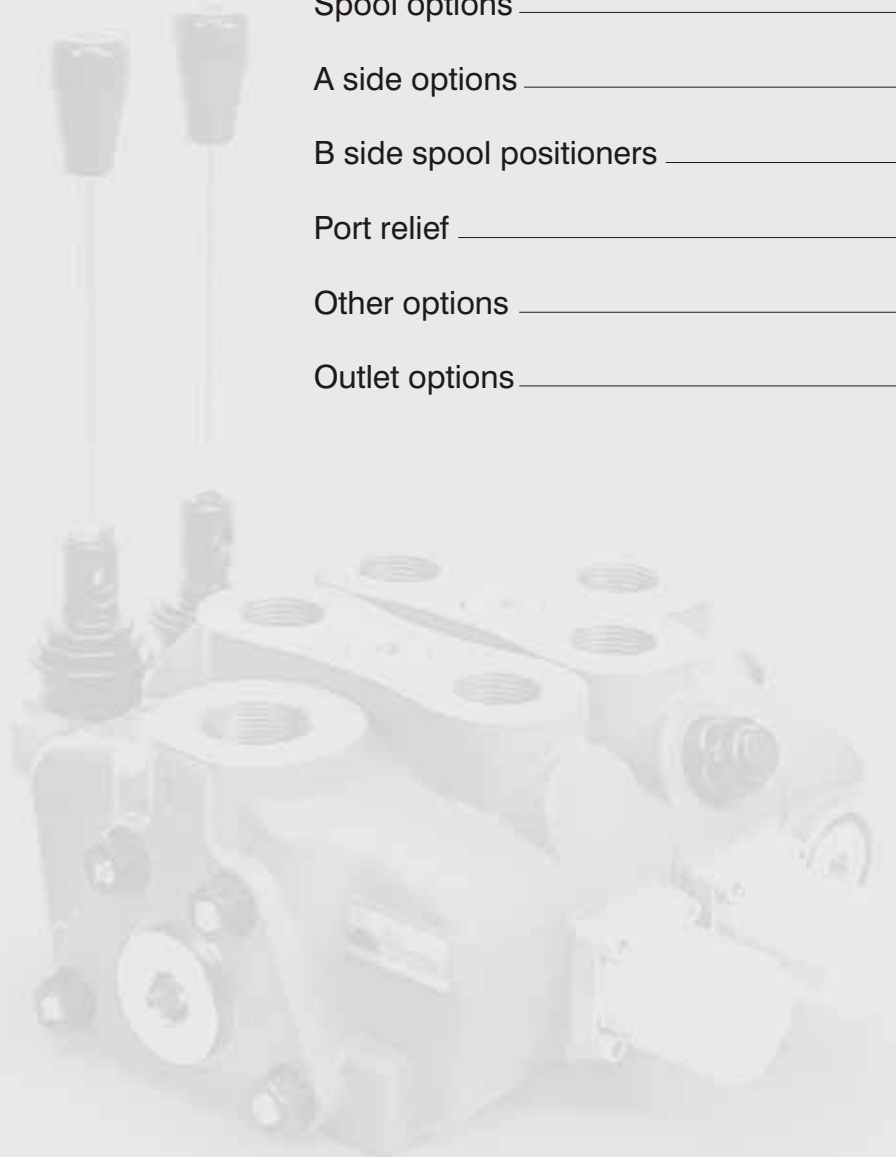
HPSV-8

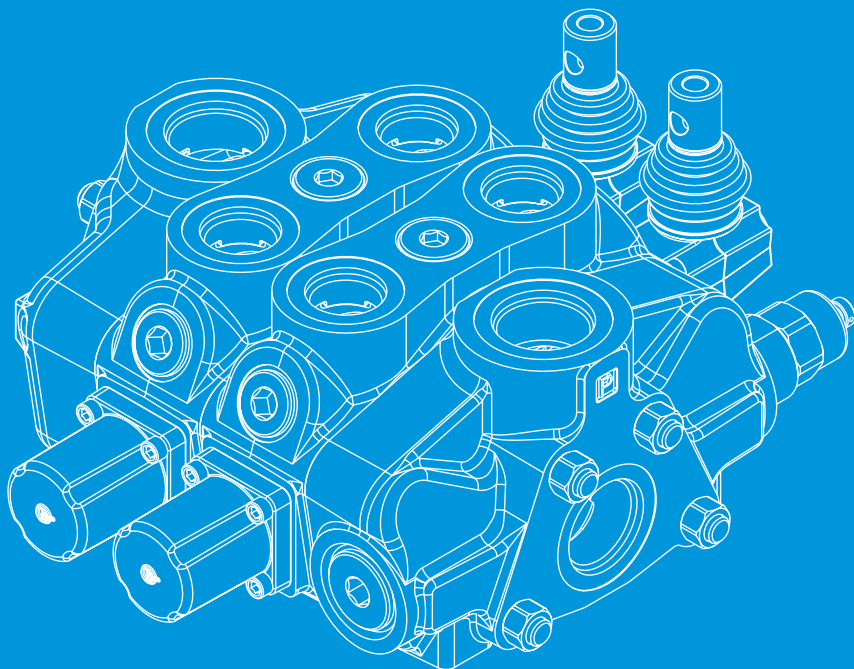
ROZDZIELACZE MONOBLOKOWE

HPSV-8

Sectional Directional Control Valves

Working condition	P.5
Ordering code	P.7
Dimensions	P.12
Performance data	P.13
Inlet relief options	P.14
Spool options	P.15
A side options	P.20
B side spool positioners	P.24
Port relief	P.30
Other options	P.31
Outlet options	P.34





Innovative Designs
Professional Quality
Customer Satisfaction !

AVAILABLE SECTIONS FROM

1 TO 12

HPSV-8

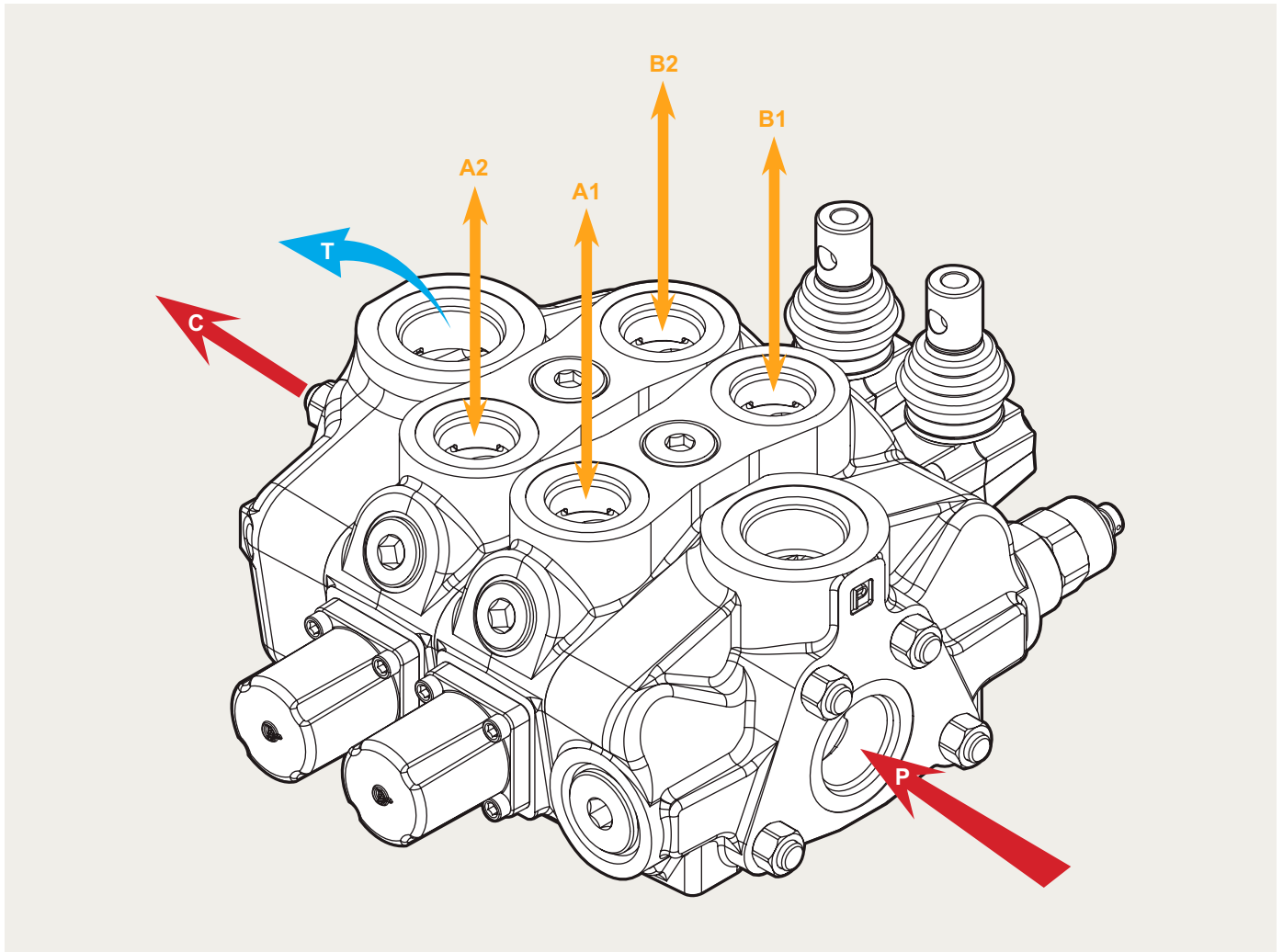
Sectional Directional Control Valves



MobiTec

HPSV-8

Sectional Directional Control Valves



Specifications

Nominal flow rate		240 l/min	63 US gpm
Operating pressure (maximum)		315 bar	4600 psi
Back pressure (maximum)	on outlet port T	25 bar	360 psi
Fluid temperature range	with NBR seals	from - 20° to 80°C	from - 4° to 176° F
	with FPM seal	from - 20° to 100°C	from - 4° to 212° F
Viscosity	operating range	from 15 to 75 mm ² /s	from 15 to 75 cst
	min.	12 mm ² /s	12 cst
	max.	400 mm ² /s	400 cst
Ambient temperature range		from - 40° to 60°C	from - 40° to 140° F

• All specifications, dimensions and design characteristics shown in this catalogue are subject to change without notice.

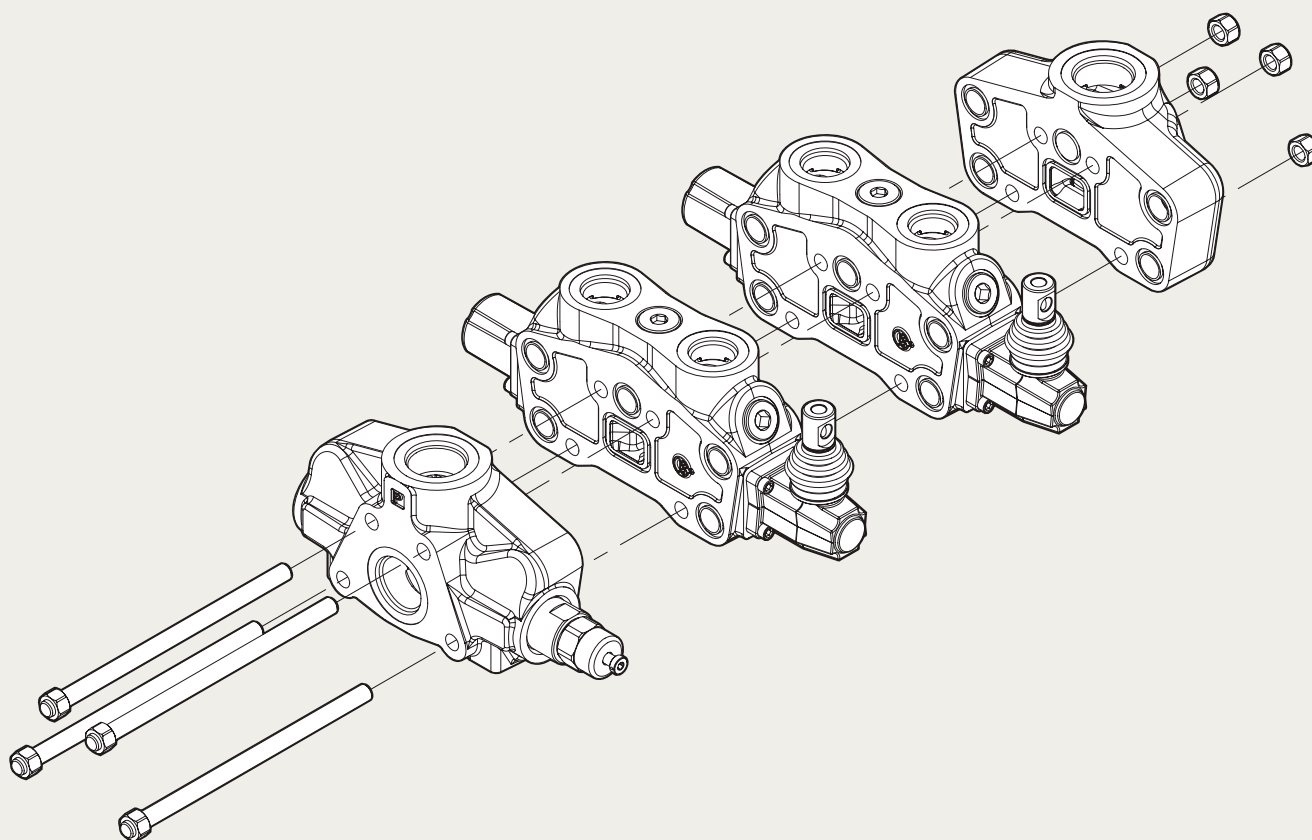
HPSV-8 Complete

Sectional Directional Control Valves

HOW TO ORDER FOR A COMPLETE ASSEMBLED VALVE

HPSV-8 / 2S - XHG / 18L / 28L / G-8-10 / M3

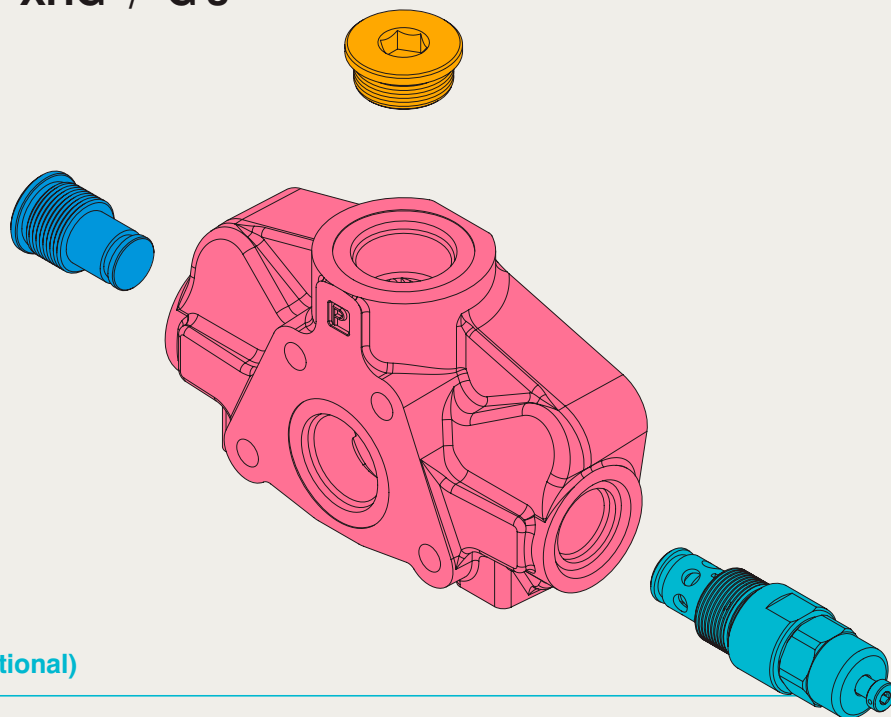
2S	No. of working section
XHG	Inlet cover with a main pressure relief valve
18L	1st section (complete working section)
28L	Following section (complete working section)
G-8-10	BSP ports
M3	Outlet cover



HPSV-8 Inlet Section

Sectional Directional Control Valves

EW HPSV-8 / XHG / G-8



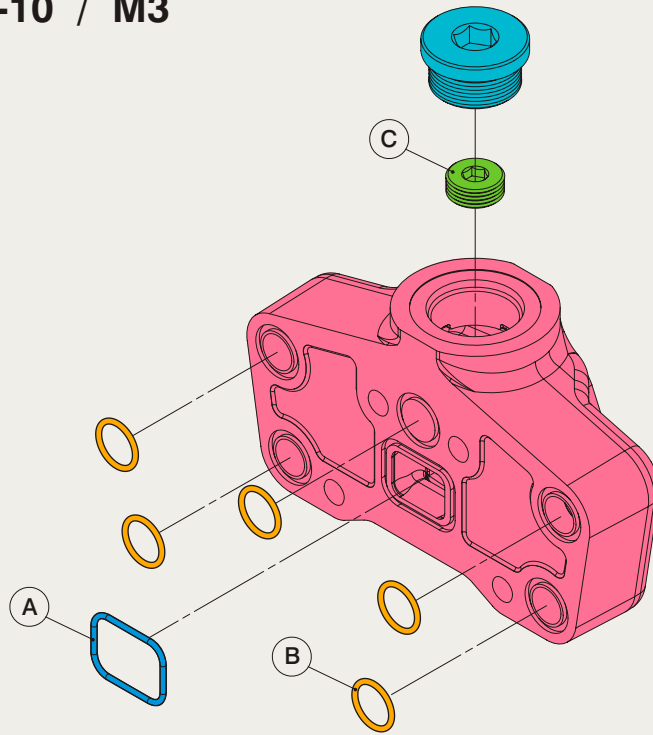
Inlet relief (optional)

Inlet Relief (optional)			
TYPE	CODE	DESCRIPTION	PAGE
SV	YLPSN84000	Relief valve blanking plug	P. 14
XHG	YLPSN83000	Pilot operated pressure relief valve Range 25 to 315 bar/ 360 to 4600 psi, standard setting 125 bar/ 1800 psi	P. 14

HPSV-8 Outlet Section

Sectional Directional Control Valves

EW HPSV-8 / G-10 / M3

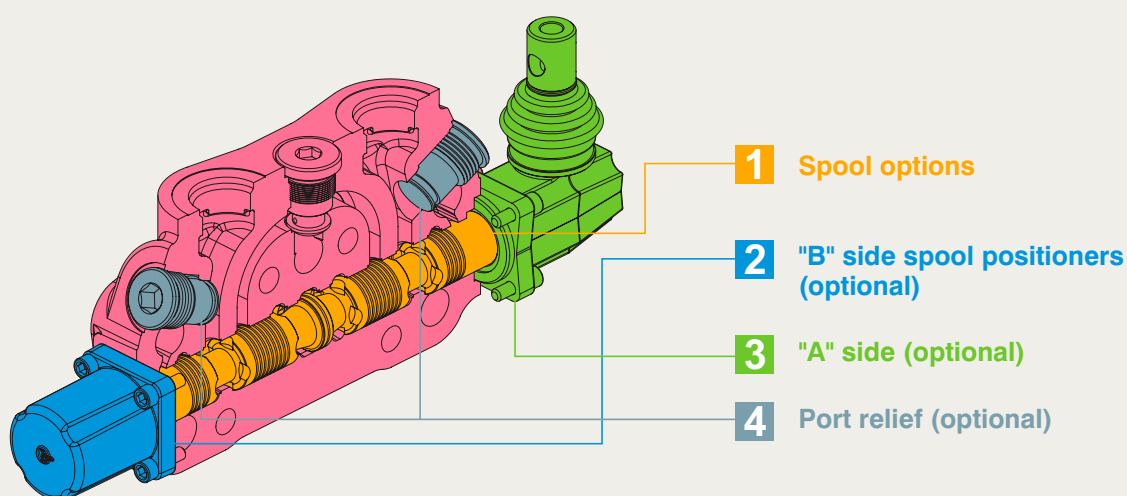


Outlet		
ITEM	DESCRIPTION	Q'TY
A	2.62 x 40.94	1
B	2.62 x 20.29	5
C	G3/4 Plug	1

HPSV-8 Working Section

Sectional Directional Control Valves

EW HPSV-8 / 1S / **1 8 L** / **P1(G3-100)** / G-8
1 2 3 4

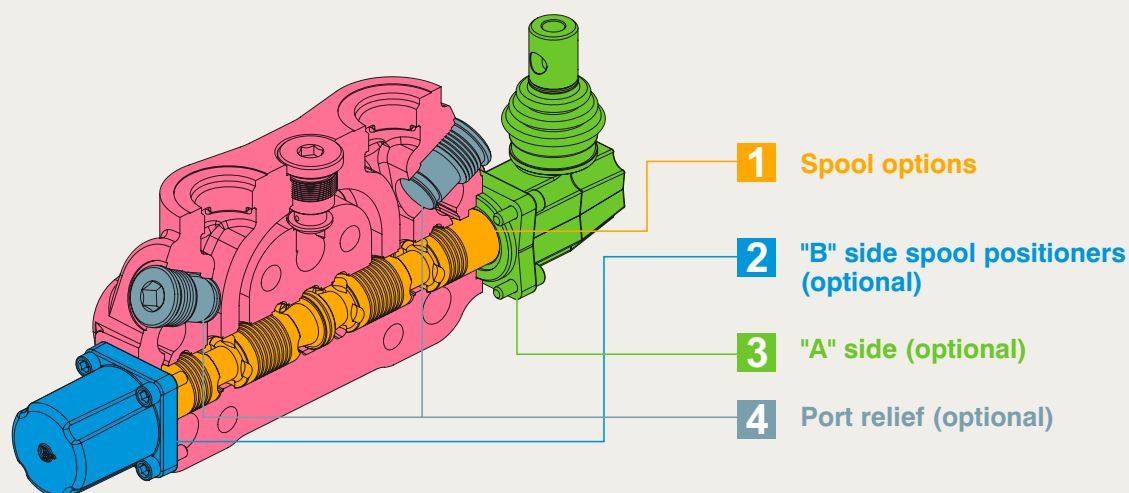


1: Spool options			
TYPE	CODE	DESCRIPTION	PAGE
1	YLWSN82001	Double acting,3 positions,with A and B closed in neutral position	P. 15
2	YLWSN82002	Double acting,3 positions,with A and B open to tank in neutral position	P. 15
3	YLWSN82003	Single acting on A closed in neutral position, 3 positions, B plugged	P. 16
4	YLWSN82004	Single acting on B closed in neutral position, 3 positions, A plugged	P. 16
5	YLWSN82005	Double acting, 3 positions, with B open to Tank in neutral position	P. 17
6	YLWSN82006	Double acting, 3 positions, with A open to Tank in neutral position	P. 17
5DY	YLWSN83052	Double acting, 4 positions, floating circuit in 4th position with A,B open to Tank by pulling the lever	P. 18
5PY	YLWSN83051	Double acting, 4 positions, floating circuit in 4th position with A, B open to Tank by pushing the lever	P. 19

HPSV-8 Working Section

Sectional Directional Control Valves

EW HPSV-8 / 1S / **1 8 L** / P1(G3-100) / G-8
1 2 3 4



2: B Side Spool Positioners

TYPE	CODE	DESCRIPTION	PAGE
6-1	YLWSN83061	Detent in pos. 1-0-2, without spring centered	P. 24
6-2	YLWSN83062	2 positions, detent in pos. 0-2, without spring centered	P. 24
6-3	YLWSN83063	2 positions, detent in pos. 1-0, without spring centered	P. 24
8D2	YLWSN83082	With spring return to neutral position and pin with M8 male thread for dual control	P. 24
8IM	YLWSN830810	Hydraulic pilot kit	P. 24
8P	YLWSN83080	ON/OFF Pneumatic actuator	P. 25
8EP3	YLWSN84300	ON/OFF Electro-Pneumatic actuator	P. 25
8MG1 (NO)	YLWSN83801	Microswitch kit operated in pos. 1 (Normally Open)	P. 28
8MG2 (NO)	YLWSN83802	Microswitch kit operated in pos. 2 (Normally Open)	P. 28
8MG3 (NO)	YLWSN83803	Microswitch kit operated in pos. 1&2 (Normally Open)	P. 28
MG (NO)	YLWSN83804	Microswitch with NO terminal	P. 28
8MG1 (NC)	YLWSN838011	Microswitch kit operated in pos. 1 (Normally Closed)	P. 28
8MG2 (NC)	YLWSN838021	Microswitch kit operated in pos. 2 (Normally Closed)	P. 28
8MG3 (NC)	YLWSN838031	Microswitch kit operated in pos. 1&2 (Normally Closed)	P. 28
MG (NC)	YLWSN838041	Microswitch with NC terminal	P. 28
8	YLWSN83008	With spring return to neutral position	P. 29
8-1	YLWSN84081	2 positions, with spring centered from pos. 1	P. 29
8-2	YLWSN84082	2 positions, with spring centered from pos. 2	P. 29
9-1	YLWSN83091	Detent in pos. 1, 2 with spring centered	P. 29
9-2	YLWSN83092	Detent in pos. 2 with spring centered	P. 29



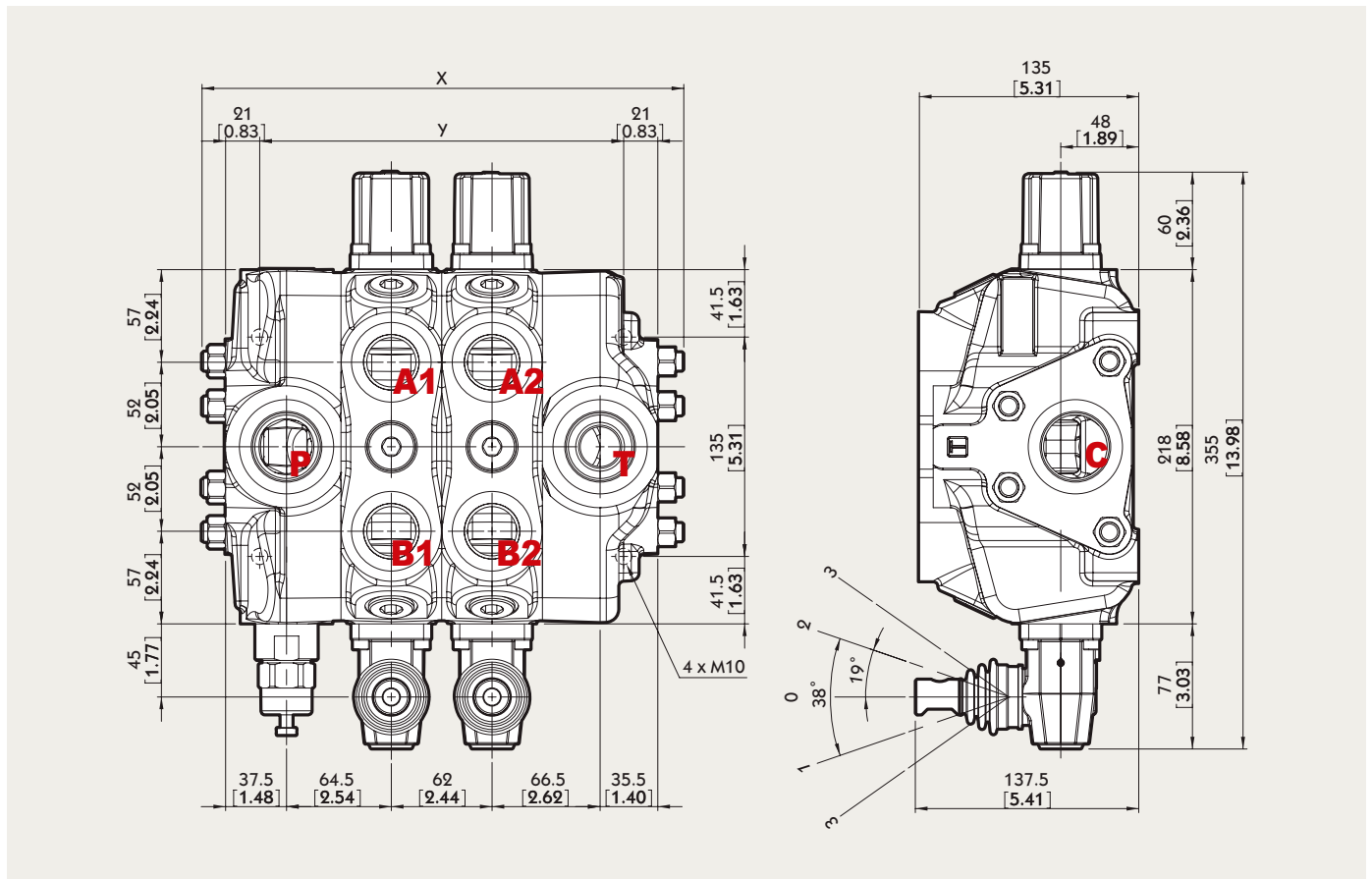
2: B Side Spool Positioners			
TYPE	CODE	DESCRIPTION	PAGE
9-3	YLWSN83093	Detent in pos. 1 with spring centered	P. 29
8ED3+RV-KE1R3	YLWSN83201	1S: ON/OFF Electro-Hydraulic control kit with pilot and drain line+backpressure valve (12/24 VDC)	P. 26
8ED3+RV-KE2R3	YLWSN83202	2S: ON/OFF Electro-Hydraulic control kit with pilot and drain line+backpressure valve (12/24 VDC)	P. 26
8ED3+RV-KE3R3	YLWSN83203	3S: ON/OFF Electro-Hydraulic control kit with pilot and drain line+backpressure valve (12/24 VDC)	P. 26
8ED3+RV-KE4R3	YLWSN83204	4S: ON/OFF Electro-Hydraulic control kit with pilot and drain line+backpressure valve (12/24 VDC)	P. 26
8ED3+RV-KE5R3	YLWSN83205	5S: ON/OFF Electro-Hydraulic control kit with pilot and drain line+backpressure valve (12/24 VDC)	P. 26
8ED3+RV-KE6R3	YLWSN83206	6S: ON/OFF Electro-Hydraulic control kit with pilot and drain line+backpressure valve (12/24 VDC)	P. 26
8ED3+RV-KE7R3	YLWSN83207	7S: ON/OFF Electro-Hydraulic control kit with pilot and drain line+backpressure valve (12/24 VDC)	P. 26
8ED3+RV-KE8R3	YLWSN83208	8S: ON/OFF Electro-Hydraulic control kit with pilot and drain line+backpressure valve (12/24 VDC)	P. 26
8ED3+RV-KE9R3	YLWSN83209	9S: ON/OFF Electro-Hydraulic control kit with pilot and drain line+backpressure valve (12/24 VDC)	P. 26
8ED3+RV-KE10R3	YLWSN83210	10S: ON/OFF Electro-Hydraulic control kit with pilot and drain line+backpressure valve (12/24 VDC)	P. 26
8ED3+RV-KE11R3	YLWSN83211	11S: ON/OFF Electro-Hydraulic control kit with pilot and drain line+backpressure valve (12/24 VDC)	P. 26
8ED3+RV-KE12R3	YLWSN83212	12S: ON/OFF Electro-Hydraulic control kit with pilot and drain line+backpressure valve (12/24 VDC)	P. 26
8ER3+KE1S0	YLWSN83401	1S: ON/OFF Electro-hydraulic control kit with collector kit for external pilot and drain	P. 27
8ER3+KE2S0	YLWSN83402	2S: ON/OFF Electro-hydraulic control kit with collector kit for external pilot and drain	P. 27
8ER3+KE3S0	YLWSN83403	3S: ON/OFF Electro-hydraulic control kit with collector kit for external pilot and drain	P. 27
8ER3+KE4S0	YLWSN83404	4S: ON/OFF Electro-hydraulic control kit with collector kit for external pilot and drain	P. 27
8ER3+KE5S0	YLWSN83405	5S: ON/OFF Electro-hydraulic control kit with collector kit for external pilot and drain	P. 27
8ER3+KE6S0	YLWSN83406	6S: ON/OFF Electro-hydraulic control kit with collector kit for external pilot and drain	P. 27
8ER3+KE7S0	YLWSN83407	7S: ON/OFF Electro-hydraulic control kit with collector kit for external pilot and drain	P. 27
8ER3+KE8S0	YLWSN83408	8S: ON/OFF Electro-hydraulic control kit with collector kit for external pilot and drain	P. 27
8ER3+KE9S0	YLWSN83409	9S: ON/OFF Electro-hydraulic control kit with collector kit for external pilot and drain	P. 27
8ER3+KE10S0	YLWSN83410	10S: ON/OFF Electro-hydraulic control kit with collector kit for external pilot and drain	P. 27
8ER3+KE11S0	YLWSN83411	11S: ON/OFF Electro-hydraulic control kit with collector kit for external pilot and drain	P. 27
8ER3+KE12S0	YLWSN83412	12S: ON/OFF Electro-hydraulic control kit with collector kit for external pilot and drain	P. 27

3: A Side (Optional)			
TYPE	CODE	DESCRIPTION	PAGE
L	YLWSN84000	Standard lever	P. 20
SLP	YLWSN84001	Without lever, with dust proof plate	P. 20
LCB	YLWSN84002	Joystick lever for 2 section operation	P. 21
TQ	YLWSN84003	Flexible cable connection	P. 22
FCR-2		Joystick for remote control	P. 23

4: Port Relief (Optional)			
TYPE	CODE	DESCRIPTION	PAGE
P (G2-63)	YLWSN65002	Anti-shock valve, range 63 to 125 bar / form 900 to 1800 psi standard setting 63 bar / 900 psi	P. 30
P (G3-100)	YLWSN65003	Anti-shock valve, range 100 to 250 bar / form 1450 to 3600 psi standard setting 100bar / 1450 psi	P. 30
P (G4-200)	YLWSN65004	Anti-shock valve, range 200 to 315 bar / form 2900 to 4600 psi standard setting 200 bar / 2900 psi	P. 30
XU (G2-63)	YLWSN85012	Anti-shock valve and Anti-cavitation valve, range 63 to 125 bar / form 900 to 1800 psi standard setting 63 bar / 900 psi	P. 30
XU (G3-100)	YLWSN85013	Anti-shock valve and Anti-cavitation valve, range 100 to 250 bar / form 1450 to 3600 psi standard setting 100 bar / 1450 psi	P. 30
XU (G4-200)	YLWSN85014	Anti-shock valve and Anti-cavitation valve, range 200 to 315 bar / form 2900 to 4600 psi standard setting 200 bar / 2900 psi	P. 30
C	YLWSN65100	Anti - cavitation	P. 30

HPSV-8 Dimensions

Sectional Directional Control Valves



Standard threads

Ports	Inlet P	A and B	Outlet T and power beyond C
BSP	G1	G1	G1-1/4
UN-UNF	1-5/8-12 (SAE 20)	1-5/16-12 (SAE 16)	1-5/8-12 (SAE 20)

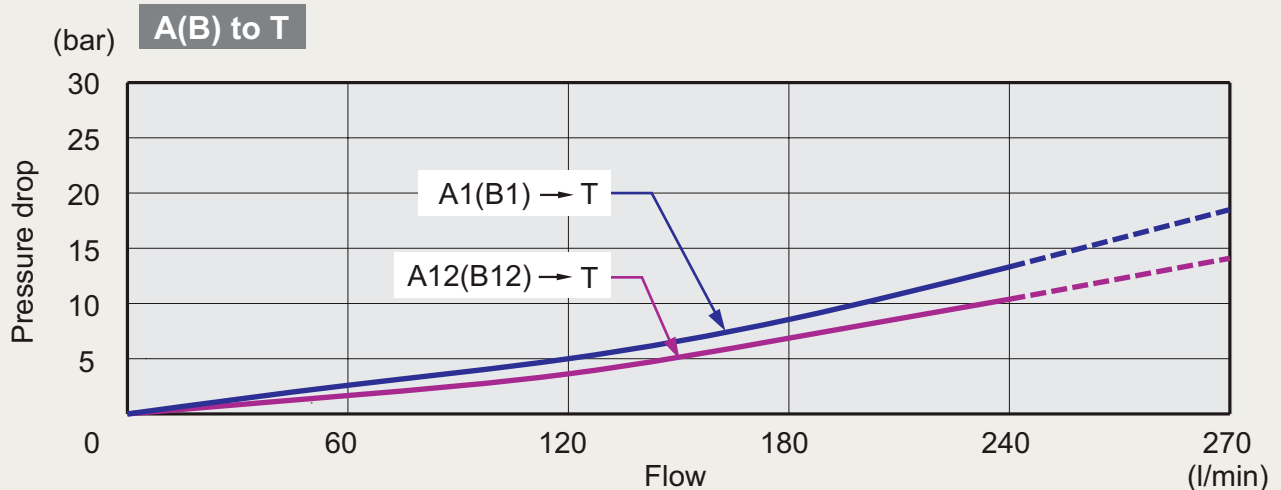
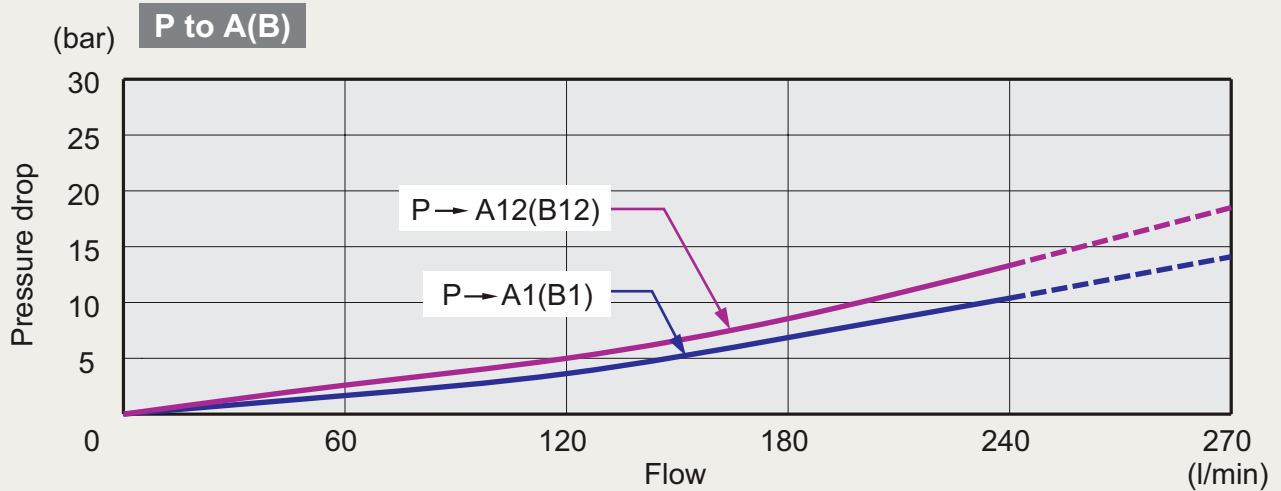
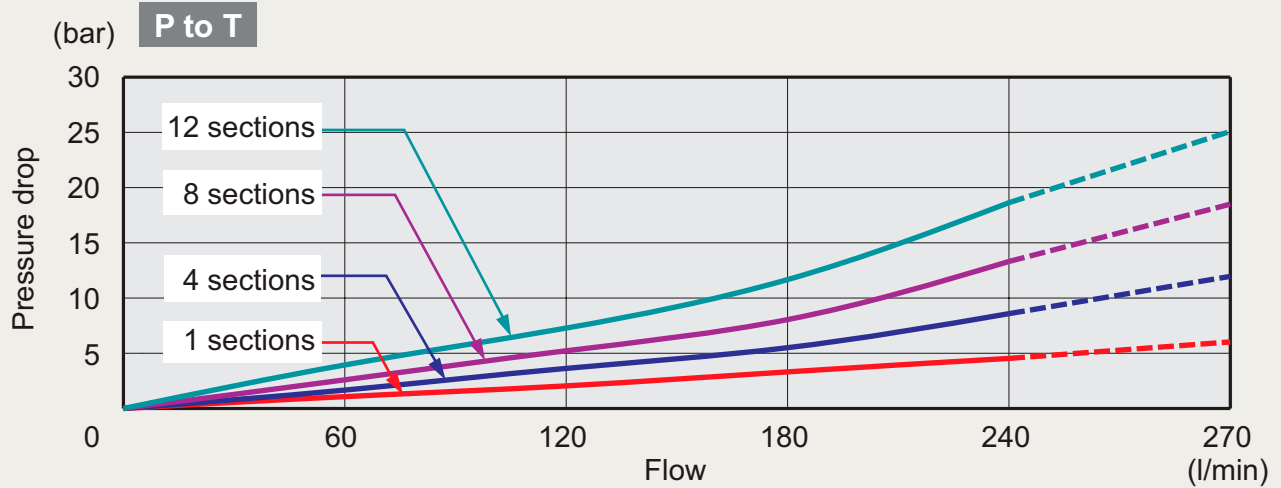
• G-3/8 : G3 G-1/2 : G4 G-3/4 : G6 G-1 : G8 G-1 1/4 : G10
 • SAE 8 : E8 SAE 10 : E10 SAE 12 : E12 SAE 16 : E16 SAE 20 : E20

Standard dimensions

TYPE	X		Y		TYPE	X		Y	
	mm	in	mm	in		mm	in	mm	in
SN8 /1S	235	9.25	162	6.38	SN8 /7S	607	23.90	534	21.02
SN8 /2S	297	11.69	224	8.28	SN8 /8S	669	26.34	596	23.46
SN8 /3S	359	14.13	286	11.26	SN8 /9S	731	28.78	658	25.90
SN8 /4S	421	16.57	348	13.70	SN8 /10S	793	31.22	720	28.34
SN8 /5S	483	19.02	410	16.14	SN8 /11S	855	33.66	782	30.78
SN8 /6S	545	21.46	472	18.58	SN8 /12S	917	36.10	844	33.22

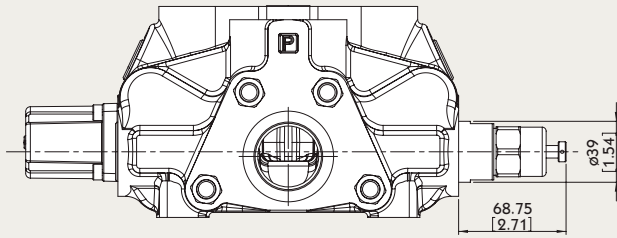
HPSV-8 Performance Curve Chart

Sectional Directional Control Valves

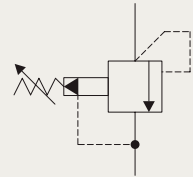


HPSV-8 Inlet Relief (Optional) Sectional Directional Control Valves

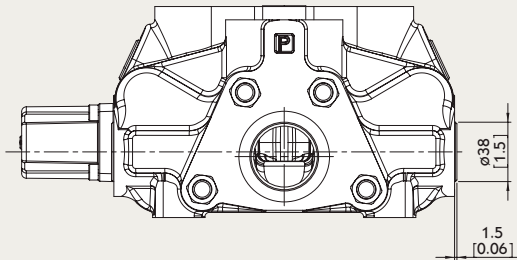
Type XHG



Pilot operated pressure relief valve:



Type SV

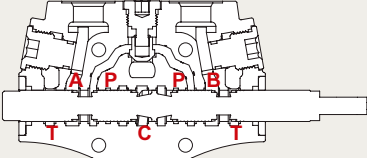
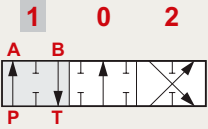
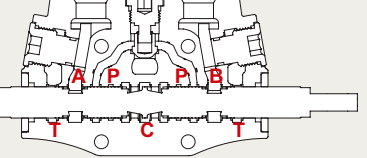
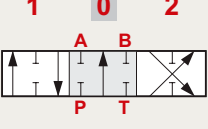
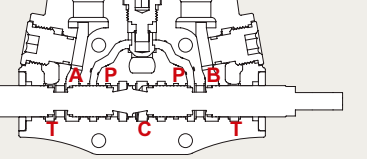
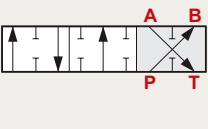
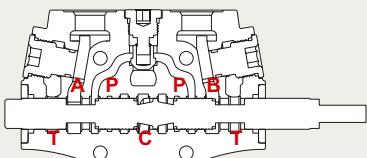
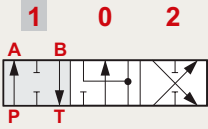
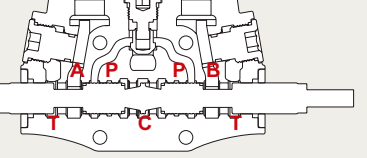
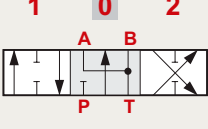
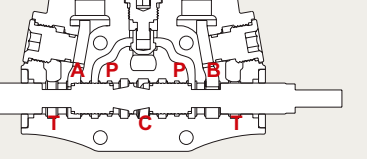
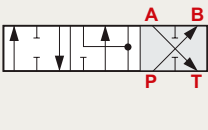


Relief valve blanking plug:



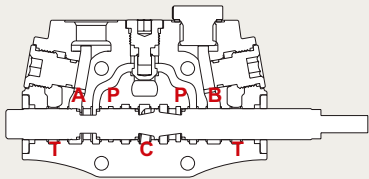
HPSV-8 Spool Options

Sectional Directional Control Valves

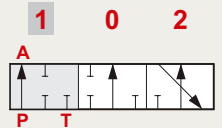
TYPE 1		
	<p>P → A B → T C closed</p>	
	<p>P & T & A & B closed C open</p>	
	<p>P → B A → T C closed</p>	
TYPE 2		
	<p>P → A B → T C closed</p>	
	<p>A & B → T P closed C open</p>	
	<p>P → B A → T C closed</p>	

HPSV-8 Spool Options Sectional Directional Control Valves

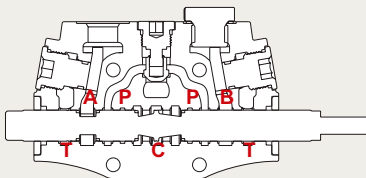
TYPE 3



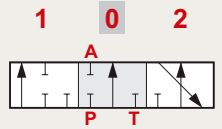
P → A
C & T closed



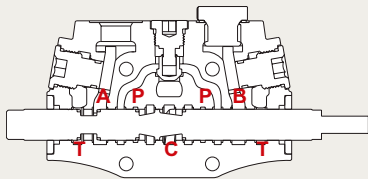
"B" port plugged



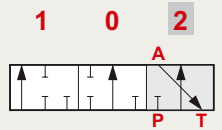
P & A & T closed
C open



"B" port plugged

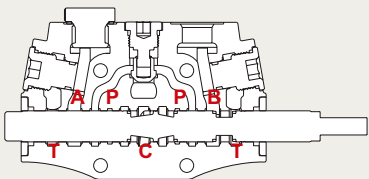


A → T
P closed
C open

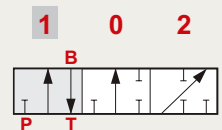


"B" port plugged

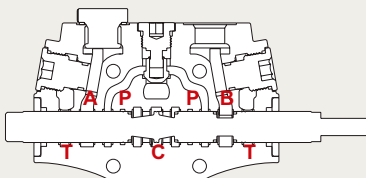
TYPE 4



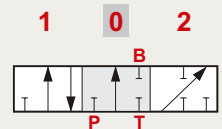
B → T
P closed
C open



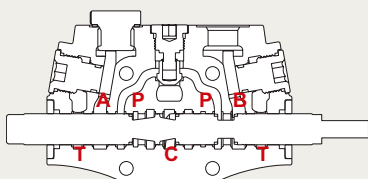
"A" port plugged



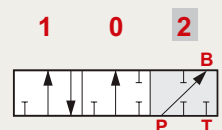
P & B & T closed
C open



"A" port plugged



P → B
C & T closed

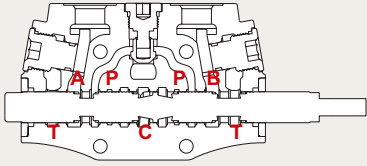
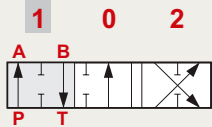
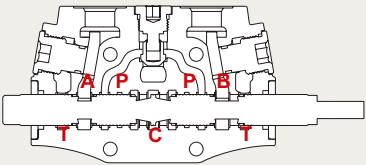
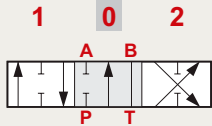
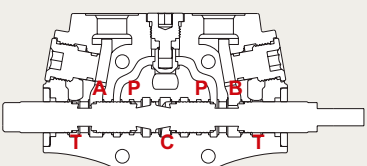
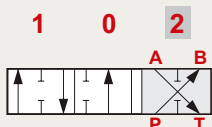


"A" port plugged

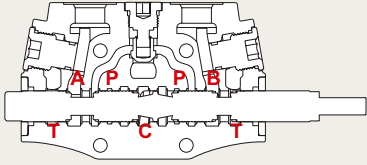
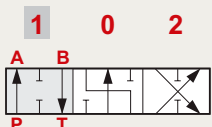
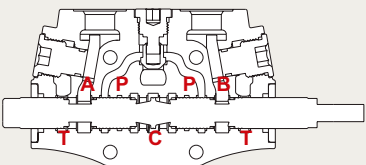
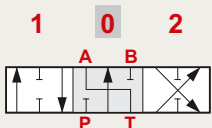
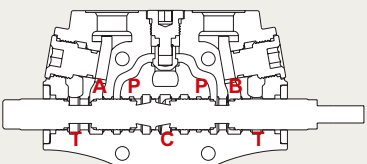
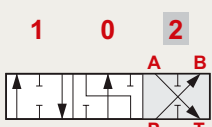
HPSV-8 Spool Options

Sectional Directional Control Valves

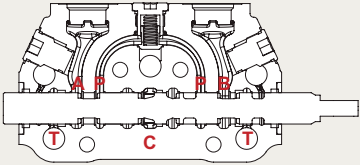
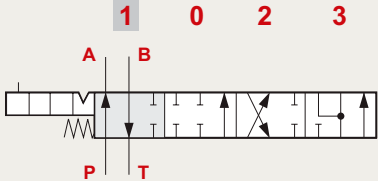
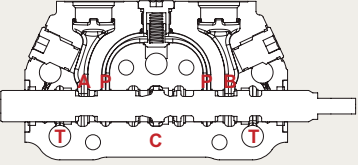
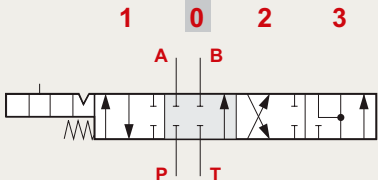
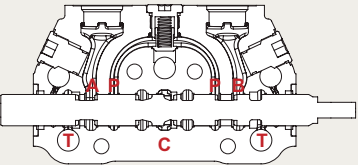
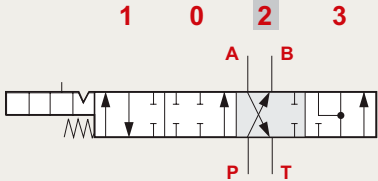
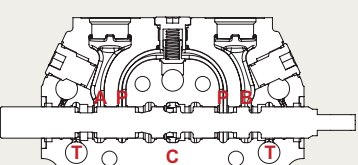
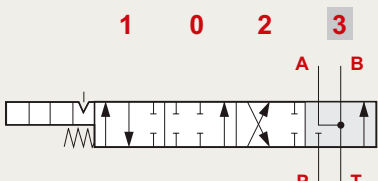
TYPE 5

	<p>P → A B → T C closed</p>	
	<p>B → T P & A closed C open</p>	
	<p>P → B A → T C closed</p>	

TYPE 6

	<p>P → A B → T C closed</p>	
	<p>A → T P & B closed C open</p>	
	<p>P → B A → T C closed</p>	

HPSV-8 Spool Options Sectional Directional Control Valves

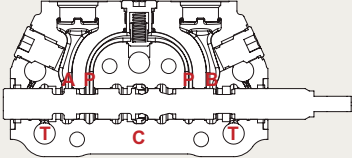
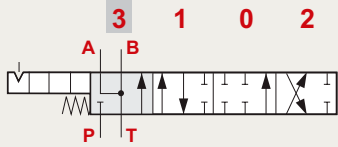
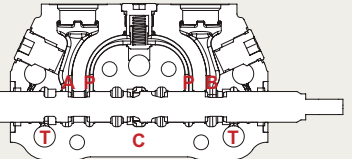
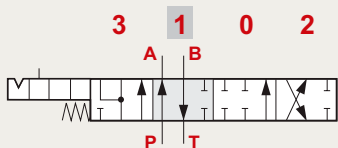
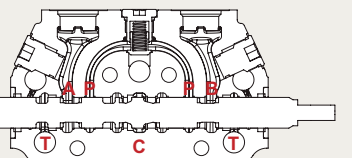
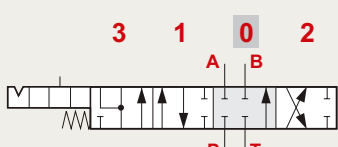
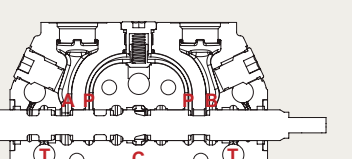
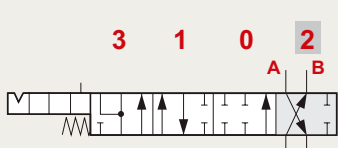
TYPE 5DY	NOTE: WITH SPECIAL BODY AND SPECIAL POSITIONER	
	<p>P → A B → T C closed</p>	
	<p>P & T & A & B closed C open</p>	
	<p>P → B A → T C closed</p>	
	<p>A & B → T P closed C open</p>	

HPSV-8 Spool Options

Sectional Directional Control Valves

TYPE 5PY

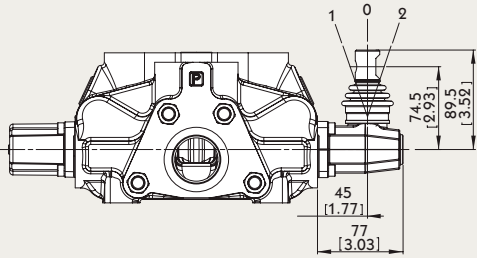
NOTE : WITH SPECIAL BODY AND SPECIAL POSITIONER.

	<p>A & B → T P closed C open</p>	
	<p>P → A B → T C closed</p>	
	<p>P & T & A & B closed C open</p>	
	<p>P → B A → T C closed</p>	

HPSV-8 A Side

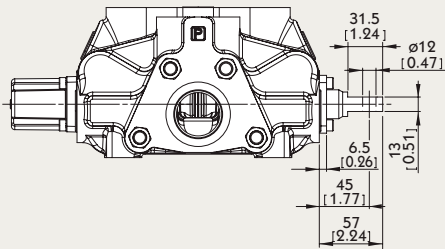
Sectional Directional Control Valves

Type L



Type L:
STANDART LEVER KIT

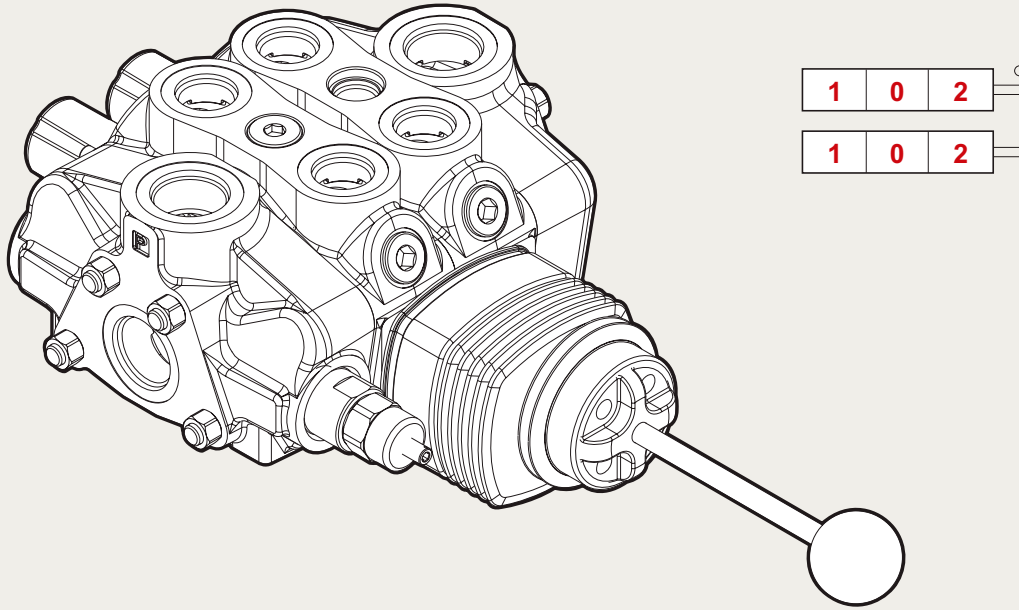
Type SLP



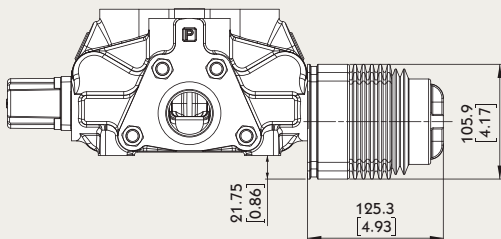
Type SLP:
WITH DUST-PROOF PLATE

HPSV-8 A Side Sectional Directional Control Valves

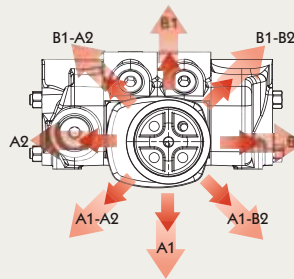
LCB: Joystick control



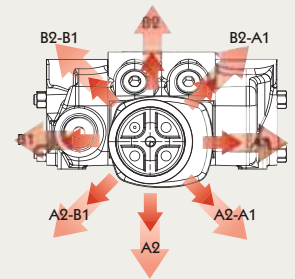
Type LCB



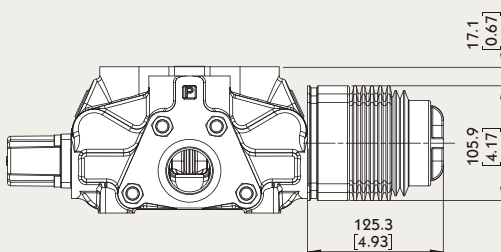
LCB1



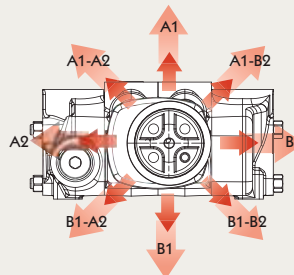
LCB2



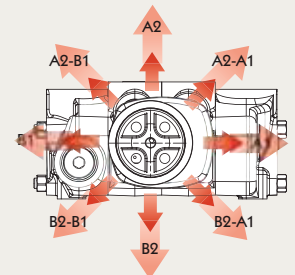
Type LCB



LCB3

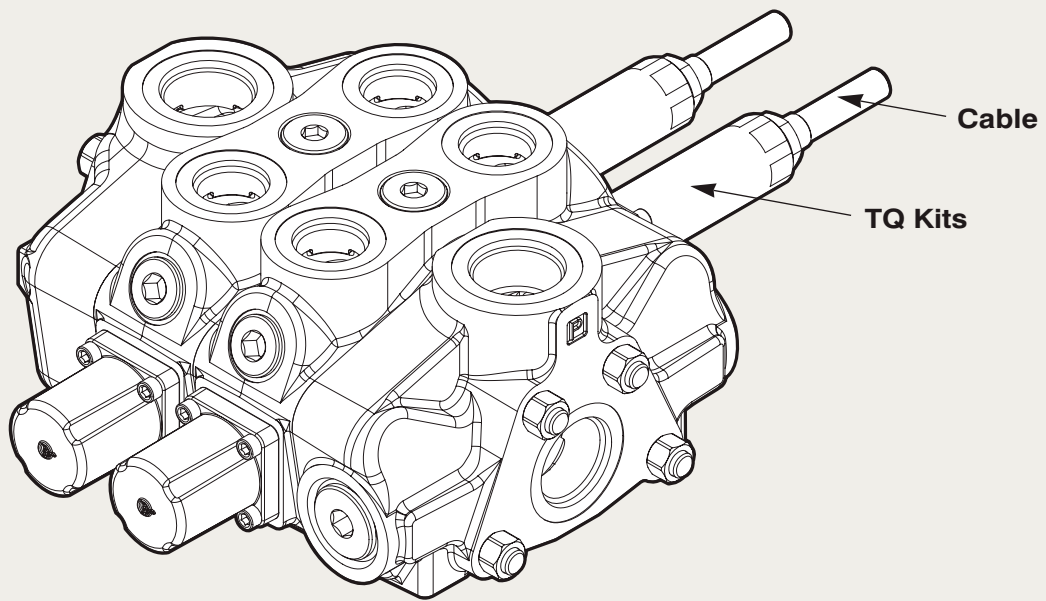


LCB4

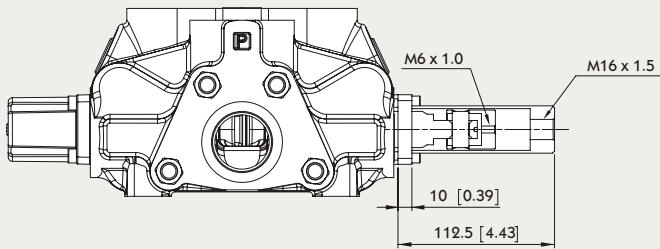


HPSV-8 A Side Sectional Directional Control Valves

Note : CONNECTION KIT NOT INCLUDE CABLE



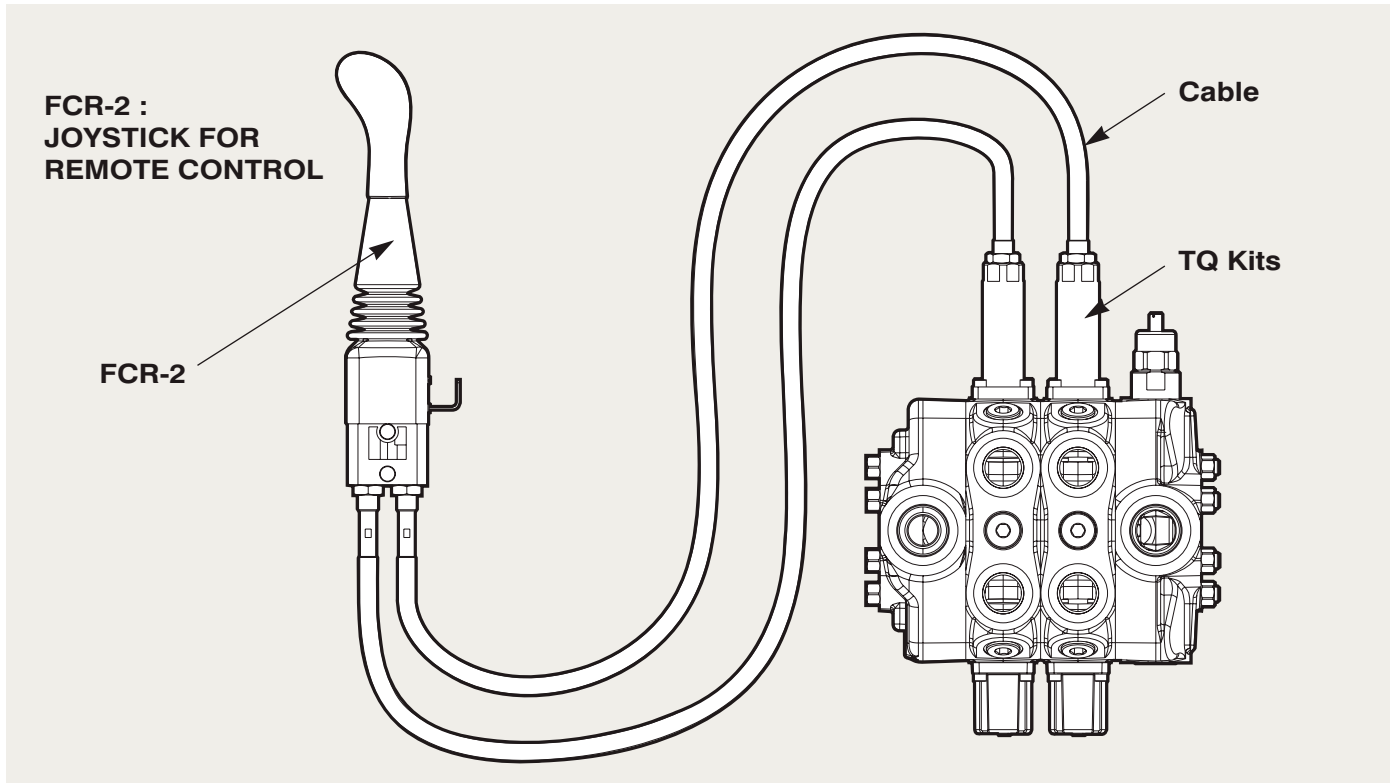
Type TQ



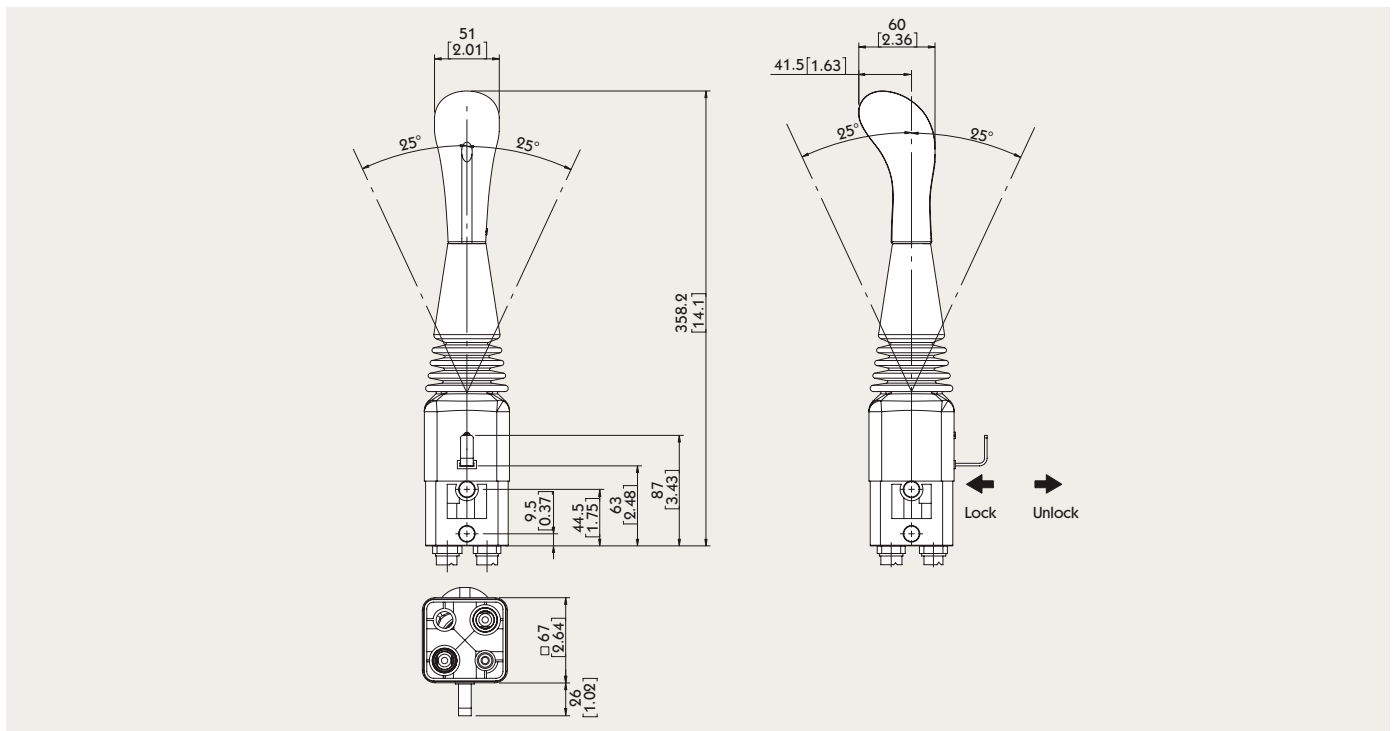
TQ Kit:



HPSV-8 A Side Sectional Directional Control Valves

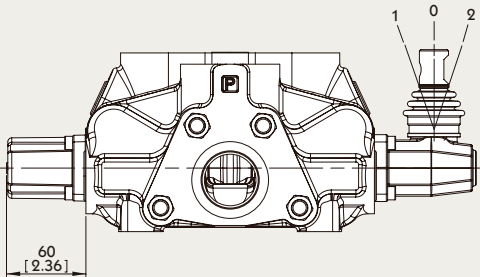


Type FCR-2



HPSV-8 B Side Sectional Directional Control Valves

Type 6



6-1 Kit:

DETENT IN POS. 1-0-2, WITHOUT SPRING CENTERED



6-2 Kit:

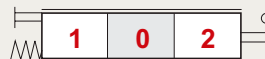
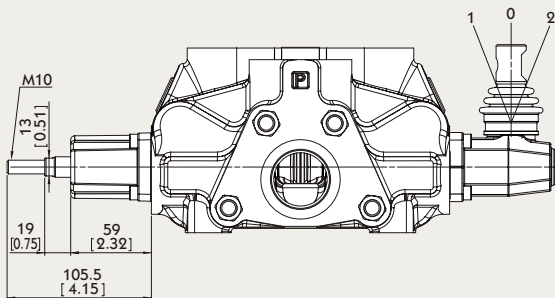
2 POSITIONS, DETENT IN POS. 0-2, WITHOUT SPRING CENTERED



6-3 Kit:

2 POSITIONS, DETENT IN POS. 1-0, WITHOUT SPRING CENTERED

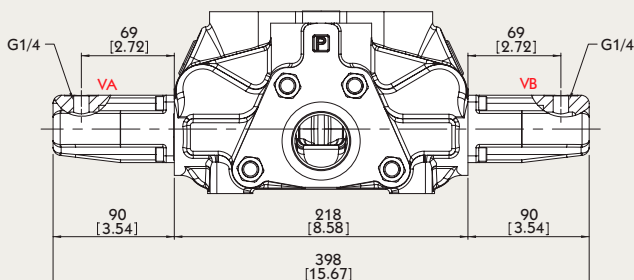
Type 8D2



8D2 Kit:

WITH SPRING RETURN TO NEUTRAL POSITION AND PIN WITH M8 MALE THREAD FOR DUAL CONTROL

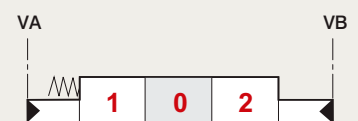
Type 8IM



Operating features :

PILOT PRESSURE : MAX. 50 BAR

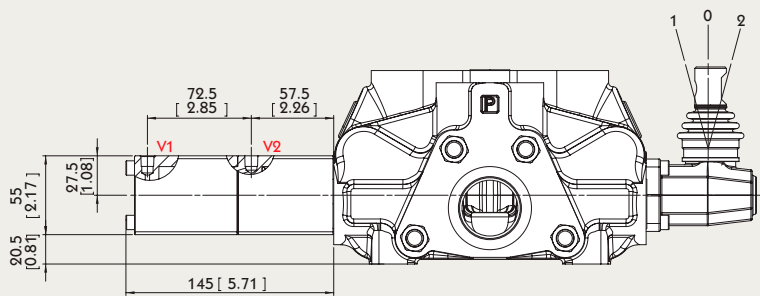
INTERNAL LEAKAGE A(B) -> T :
MAX. 6 CM³/MIN (100 BAR / 40°C)



HPSV-8 B Side Sectional Directional Control Valves

Type 8P

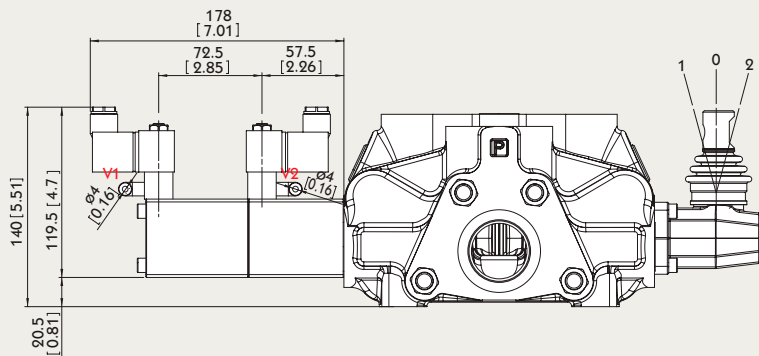
V1 & V2 : NPT 1/8 - 27



Pilot pressure : FROM 7 TO 10 BAR / 101 TO 145 PSI

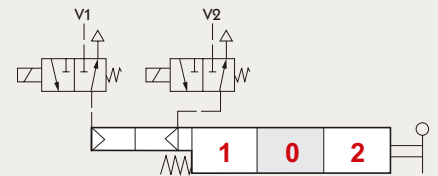


Type 8EP3



Solenoid operating features :

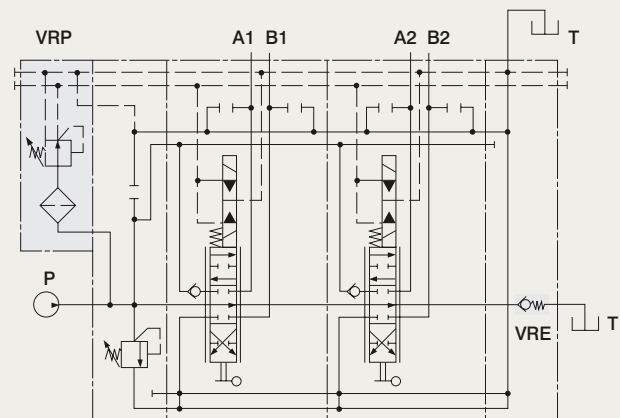
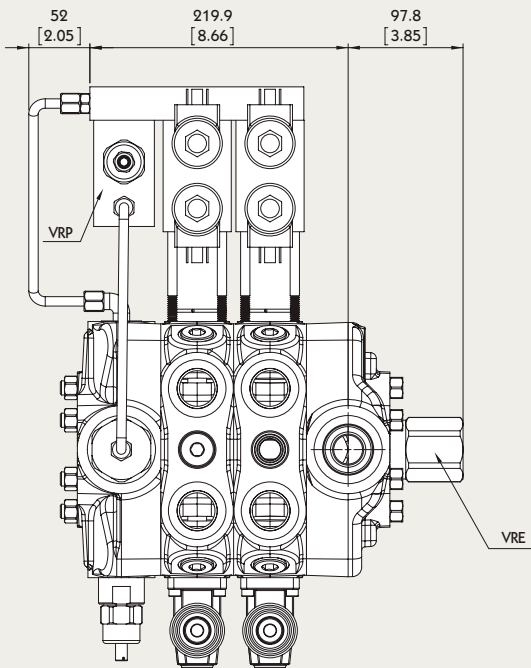
NOMINAL VOLTAGE: 24VDC
 NOMINAL VOLTAGE TOLERANCE: $\pm 10\%$
 POWER RATING: 5W



HPSV-8 B Side

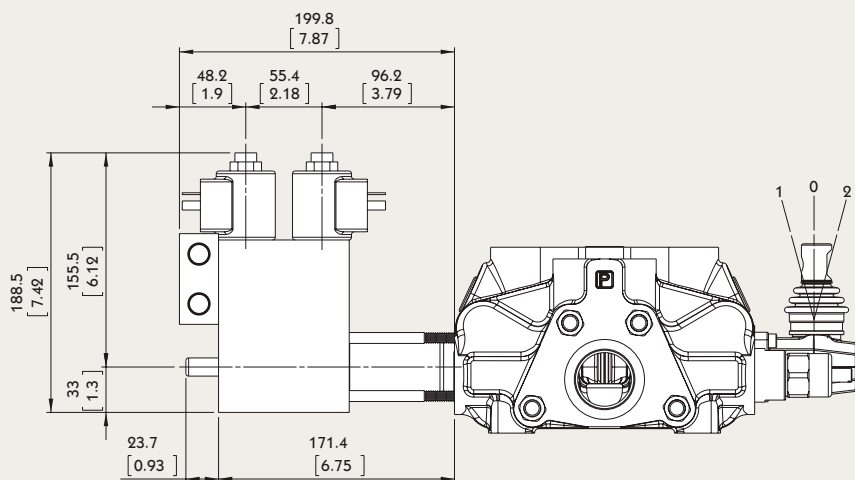
Sectional Directional Control Valves

Type 8ED3



VRP valve operating features :

OUTLET PRESSURE: 25 BAR / 363 PSI
 MAX. FLOW: 8 L/MIN / 2.1 US GPM
 FILTERING: 80 μ

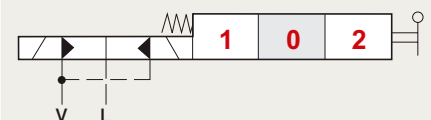


Operating features :

PILOT PRESSURE: • MIN. 10 BAR / 145 PSI
 • MAX. 50 BAR / 725 PSI
 MAX. BACKPRESSURE ON DRAIN L: 25 BAR / 360PSI

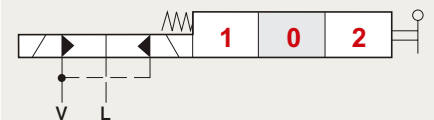
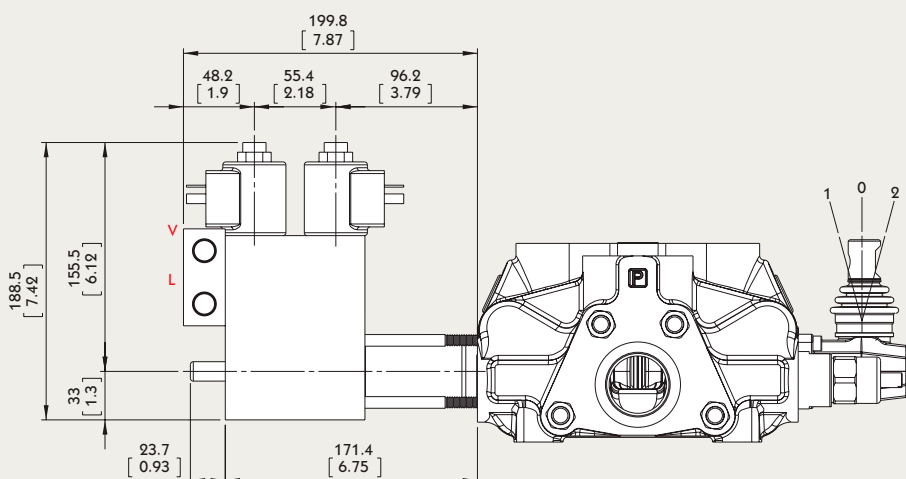
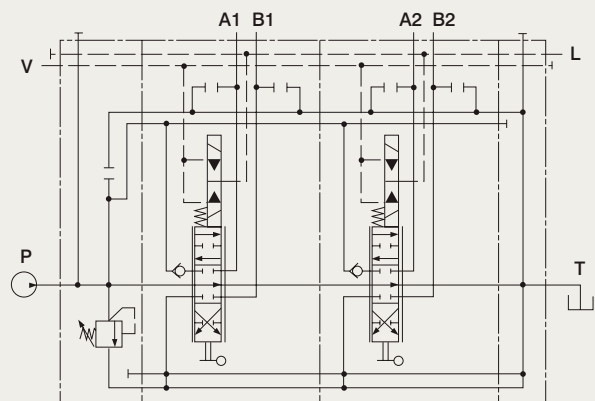
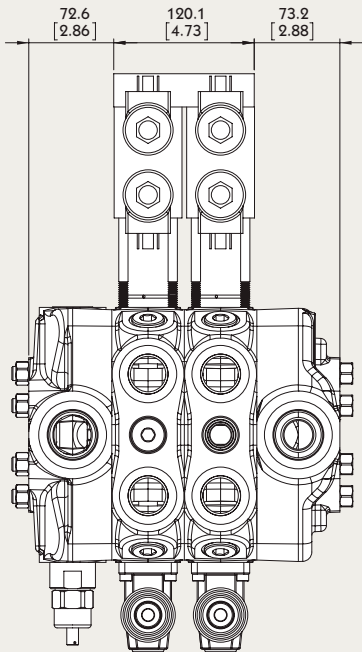
Solenoid operating features :

NOMINAL VOLTAGE: 12VDC / 24 VDC
 POWER RATING: 21 W
 DUTY CYCLE: 100 %



HPSV-8 B Side Sectional Directional Control Valves

Type 8ER3



Operating features :

PILOT PRESSURE: • MIN. 10 BAR / 145 PSI
• MAX. 50 BAR / 725 PSI

MAX. BACKPRESSURE ON DRAIN L: 25 BAR / 360PSI

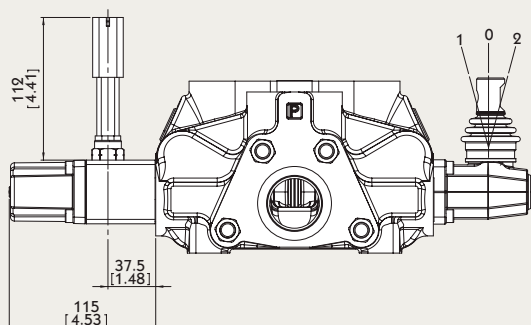
Solenoid operating features :

NOMINAL VOLTAGE: 12VDC / 24 VDC
POWER RATING: 21 W
DUTY CYCLE: 100 %

HPSV-8 B Side

Sectional Directional Control Valves

Type 8MG



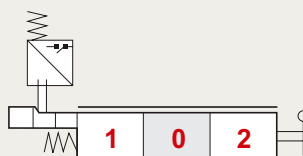
MICROSWITCH

Operating features :

MECHANICAL LIFE: • 5X10⁵ OPERATIONS

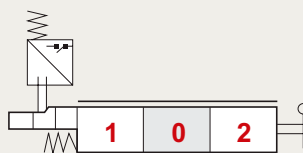
ELECTRICAL LIFE (RESISTIVE LOAD):

- 10⁵ OPERATIONS - 7A / 13.5 VDC
- 5x10⁴ OPERATIONS - 10A / 12 VDC
- 5x10⁴ OPERATIONS - 3A / 28 VDC



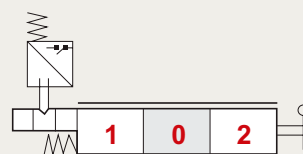
8MG1 Kit:

MICROSWITCH WITH MALE/FEMALE CONNECTOR, OPERATED IN POS. 1



8MG2 Kit:

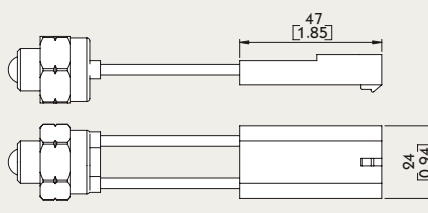
MICROSWITCH WITH MALE/FEMALE CONNECTOR, OPERATED IN POS. 2



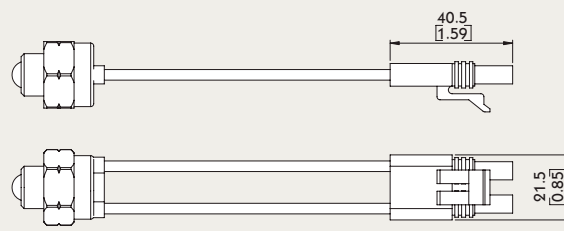
8MG3 Kit:

MICROSWITCH WITH MALE/FEMALE CONNECTOR, OPERATED IN POS. 1 AND POS. 2

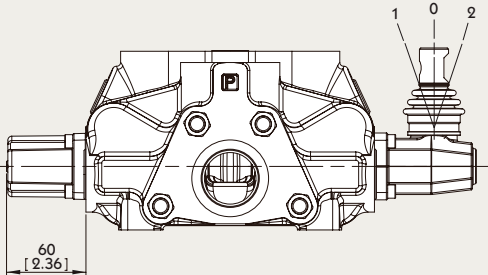



With NO contact (female connector with male end)

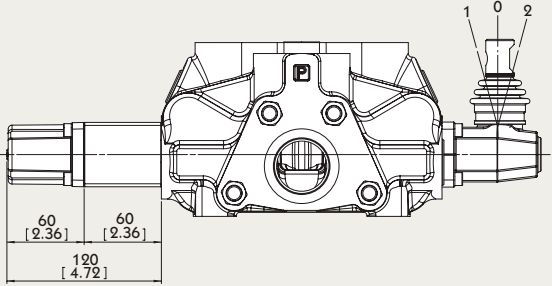





With NC contact (male connector with female end)



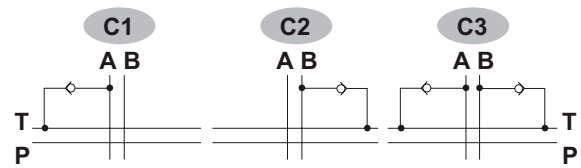
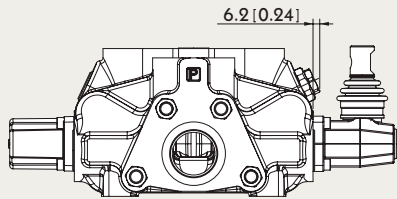
HPSV-8 B Side Sectional Directional Control Valves

Type 8		
		<p>8 Kit: SPRING RETURN TO NEUTRAL POSITION</p>
		<p>8-1 Kit: SPRING RETURN TO NEUTRAL POSITION. (2 POSITIONS)</p>
		<p>8-2 Kit: SPRING RETURN TO NEUTRAL POSITION. (2 POSITIONS)</p>

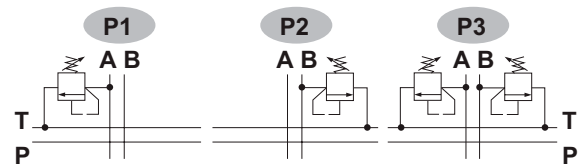
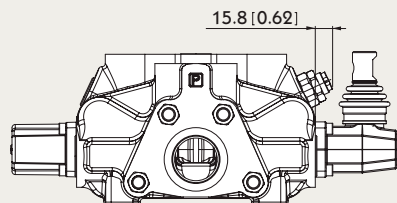
Type 9		
		<p>9-1 Kit: DETENT IN POS. 1, 2 WITH SPRING CENTERED</p>
		<p>9-2 Kit: DETENT IN POS. 2 WITH SPRING CENTERED</p>
		<p>9-3 Kit: DETENT IN POS. 1 WITH SPRING CENTERED</p>

HPSV-8 B Port Relief Sectional Directional Control Valves

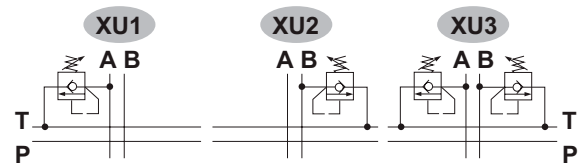
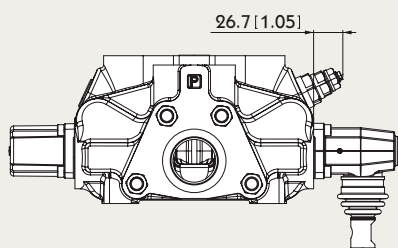
TYPE C



TYPE P



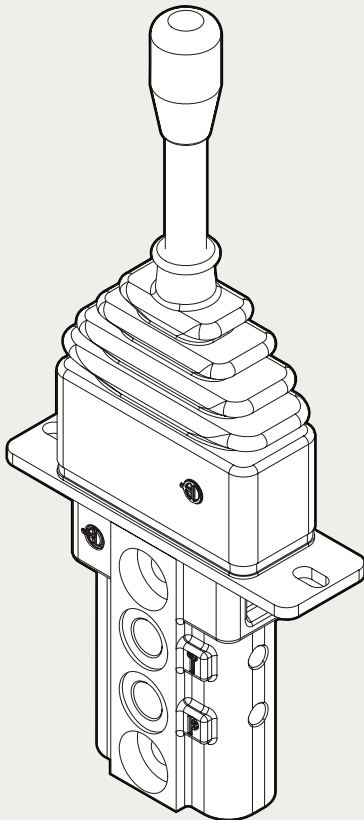
TYPE XU



HPSV-8 Accessories

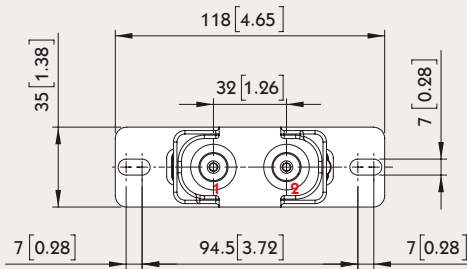
Sectional Directional Control Valves

Type JHP-1

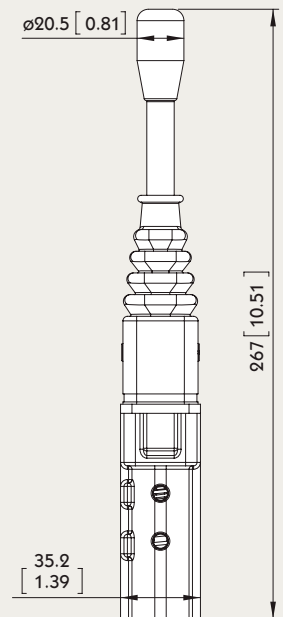
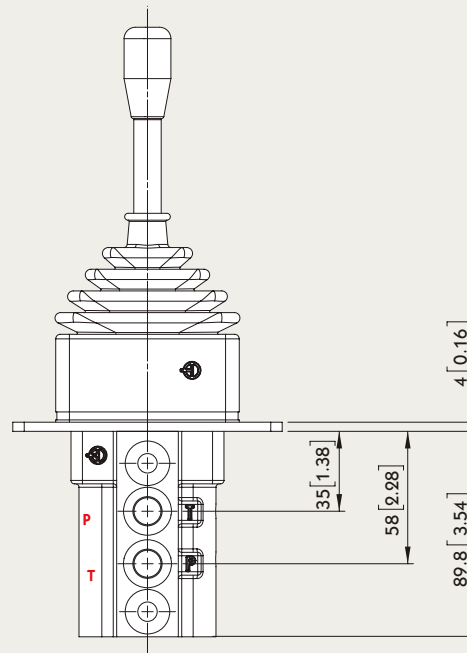
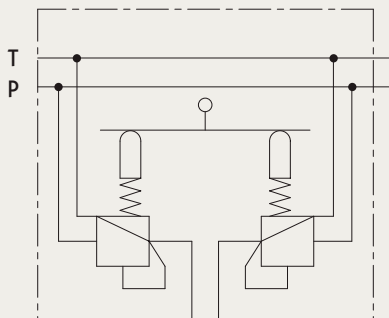


Specifications:

- This data sheet shows technical spec. with mineral oil of 46 mm²/s (cSt) viscosity at 40 °C (104 °F)
- Flow : 5 ~ 20 LPM
- Feeding pressure : 30 ~ 100 bar
- Max. backpressure : 3 bar
- Internal leakage at 30 bar : 10 ~ 18 cm³/min
- Fluid : mineral oil
- Fluid temperature : - 10 ~ 80 °C
- Ambient temperature : - 40 ~ 60 °C



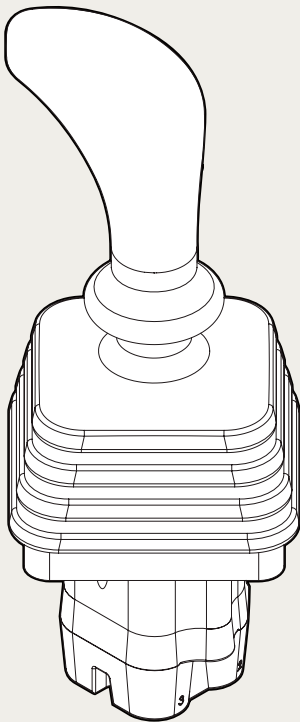
HYDRAULIC SCHEME:



HPSV-8 Accessories

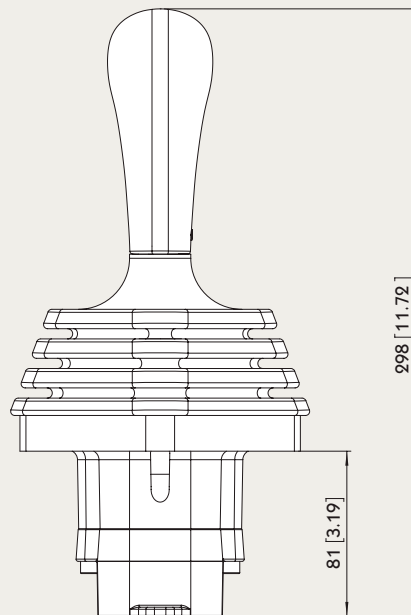
Sectional Directional Control Valves

Type JHP-2

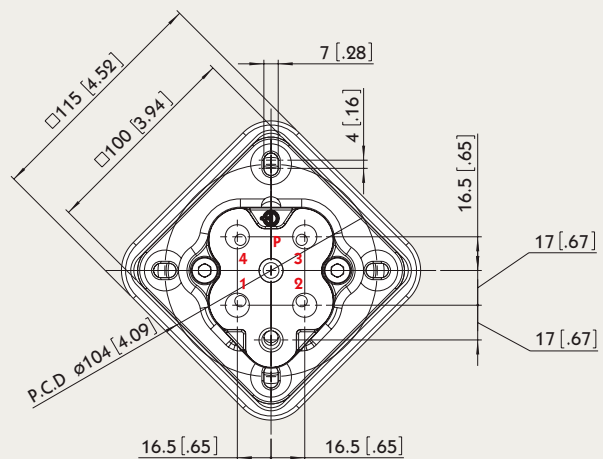
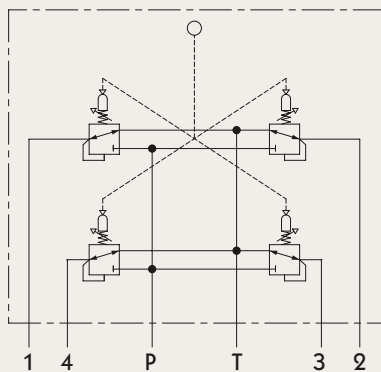


Specifications:

- This data sheet shows technical spec. with mineral oil of 46 mm²/s (cSt) viscosity at 40 °C (104 °F)
- Flow : 5 ~ 20 LPM
- Feeding pressure : 30 ~ 100 bar
- Max. backpressure : 3 bar
- Internal leakage at 30 bar : 10 ~ 18 cm³/min
- Fluid : mineral oil
- Fluid temperature : - 10 ~ 80 °C
- Ambient temperature : - 40 ~ 60 °C



HYDRAULIC SCHEME:



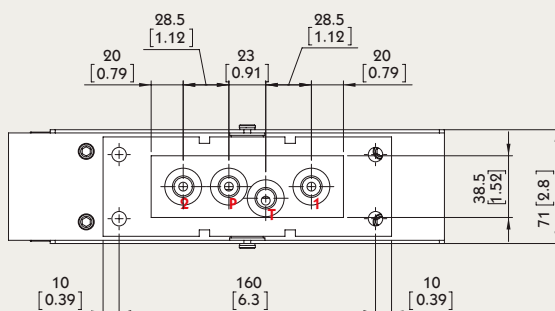
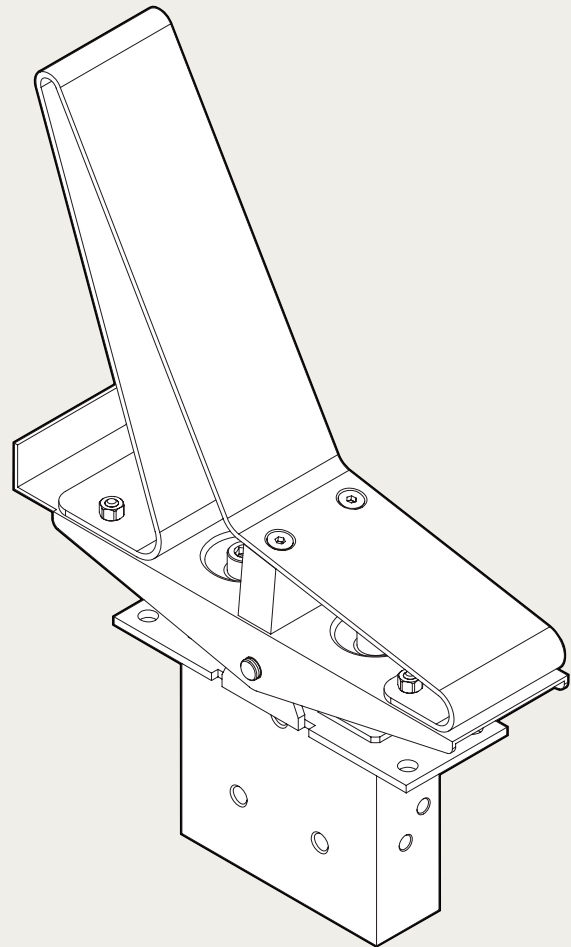
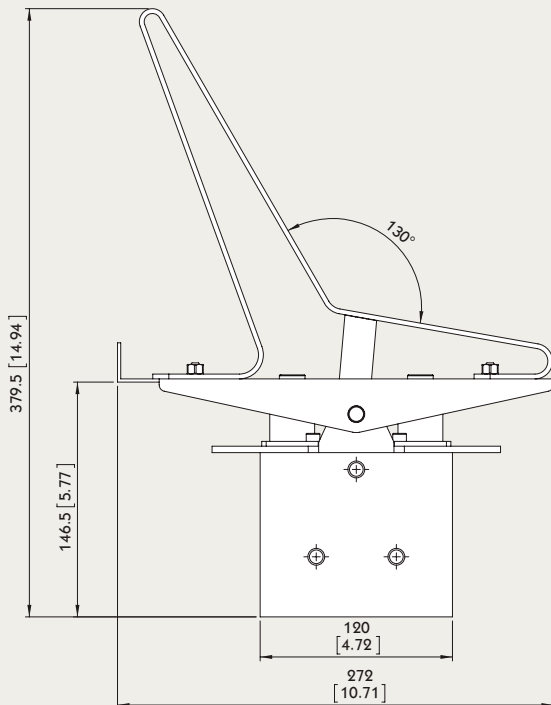
HPSV-8 Accessories

Sectional Directional Control Valves

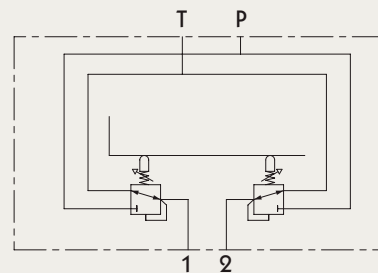
Type PHP-1

Specifications:

- This data sheet shows technical spec. with mineral oil of 46 mm²/s (cSt) viscosity at 40°C (104°F)
- Flow : 5 ~ 20 LPM
- Feeding pressure : 30 ~ 100 bar
- Max. backpressure : 3 bar
- Internal leakage at 30 bar : 10 ~ 18 cm³/min
- Fluid : mineral oil
- Fluid temperature : - 10 ~ 80°C
- Ambient temperature : - 40 ~ 60°C



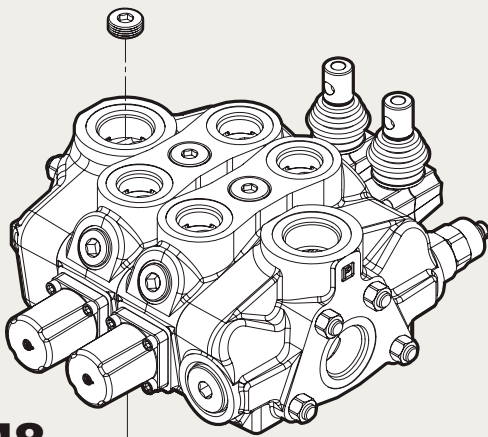
HYDRAULIC SCHEME:



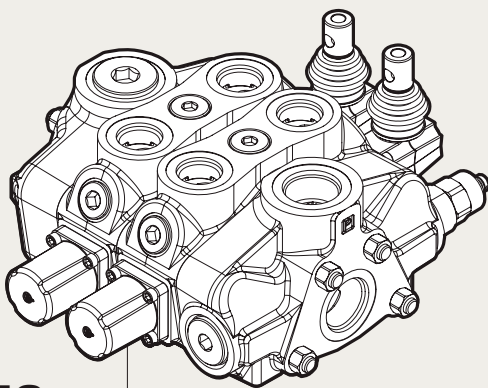
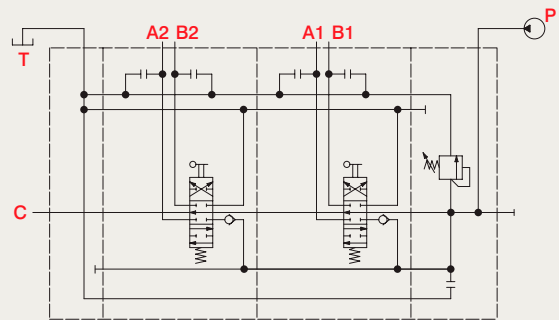
HPSV-8 Outlet

Sectional Directional Control Valves

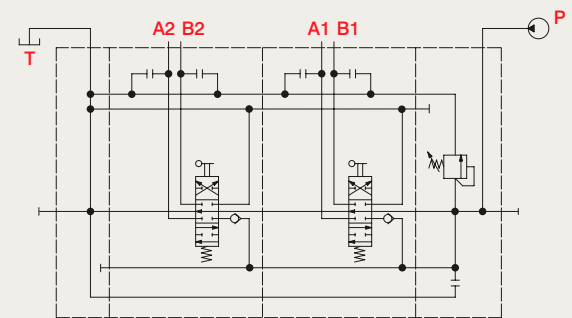
Power Beyond Conversion plug
(Closed center plug)



M8



M3



CENTRALA ELBLĄG

Ul. Rawska 19B
82-300 Elbląg

tel. /+48/ 55 625 51 00

fax /+48/ 55 625 51 01

Dział Handlowy

tel. /+48/ 55 625 51 51

elblag@hydropress.pl



www.hydropress.pl

ODDZIAŁ GDAŃSK

tel. /+48/ 55 625 51 21

fax /+48/ 55 625 51 22

ODDZIAŁ RUMIA

tel. /+48/ 58 679 34 15

fax /+48/ 55 625 51 25

ODDZIAŁ TYCHY

tel. /+48/ 32 787 52 88

fax /+48/ 55 625 51 38

ODDZIAŁ OLSZTYN

tel. /+48/ 89 532 01 05

fax /+48/ 89 715 21 42

ODDZIAŁ WARSZAWA

tel. /+48/ 22 468 86 97

fax /+48/ 55 625 51 32

BIURO HANDLOWE WROCŁAW

tel. /+48/ 782 838 000

fax /+48/ 55 625 51 35

BIURO HANDLOWE KIELCE

tel. /+48/ 885 995 501

fax /+48/ 55 625 51 01

BIURO HANDLOWE KRAKÓW

tel. /+48/ 885 995 019

fax /+48/ 55 625 51 01

BIURO HANDLOWE OPOLE

tel. /+48/ 885 995 011

fax /+48/ 55 625 51 01

BIURO HANDLOWE BYDGOSZCZ

tel. /+48/ 790 222 771

fax /+48/ 55 625 51 01