



SZYBKOZŁĄCZA HYDRAULICZNE SERIA I-IP

IP SERIES

INTERCHANGE > ISO 7241-1 "A"



TECHNICAL FEATURES AND OPTIONS

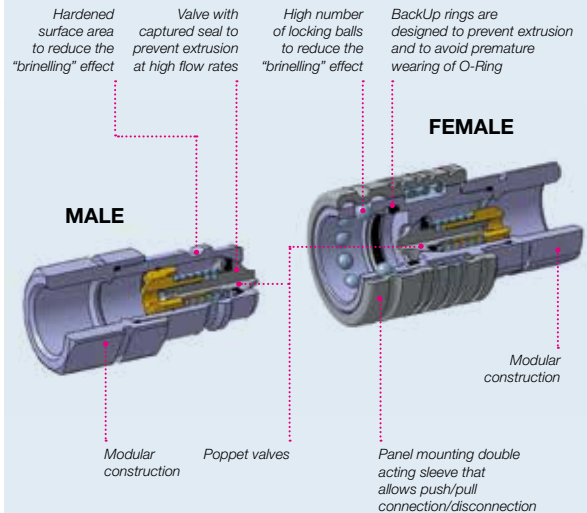
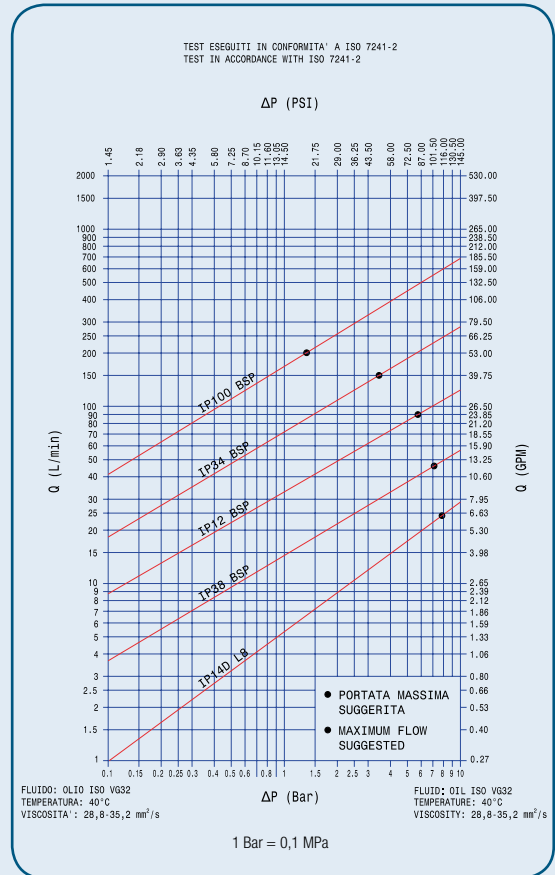
| | | |
|--|---|---|
| Interchange ISO 7241-1 "A" | Sealing description Nitrile NBR | Connection system Push - pull |
| Available sizes From 1/4" to 1" | Material High strength carbon steel | Available threads BSP - NPT - METRIC |
| Operating pressure Up to 350 bar | Locking mechanism Locking Ball System | Flow rate Up to 200 L/Min |
| Temperature (°C) -20° / +100° | Valving style Poppet | Connection under pressure Connection: not allowed Disconnection: not allowed |

BENEFITS

- Breakaway function to avoid damages of the hydraulic connections in case of strong axial force during unintended disconnection.
- The poppet valve with elastomer seal provides maximum sealing of the couplings when disconnected.
- Shape of internal parts is designed to reduce turbulence and pressure drop.
- The modular design allows for broad range of port configurations.
- Compact design.
- Simple to use.

HOW TO USE

- For the breakaway function, the female coupling must be mounted in a panel, locking the sleeve using seeger/ snap rings.
- Provide the IP female with a flexible hose, in order to permit the movements of the internal body during connection and disconnection of the couplings.
- Before to connect, clean the mating surface of the couplings to avoid dirt inclusion in the circuit.
- To connect push the male coupling into the female coupling.
- To disconnect pull back the male coupling.



MAIN APPLICATIONS





PERFORMANCES

| Size | | Series/Size | Max. flow suggested | | Connect force | | Disconnect force | | Spillage* |
|------|----------|-------------|---------------------|-------|---------------|-------|------------------|-------|-----------|
| Inch | mm (ISO) | | l/min | GPM | N | lbf | N | lbf | ml |
| 1/4 | 6,3 | IP14D** | 24 | 6,36 | 27 | 6,08 | 17 | 3,83 | 0,30 |
| 3/8 | 10,0 | IP38 | 46 | 12,19 | 75 | 16,88 | 30 | 6,75 | 1,20 |
| 1/2 | 12,5 | IP12 | 90 | 23,85 | 90 | 20,25 | 80 | 18,00 | 1,80 |
| 3/4 | 20,0 | IP34 | 148 | 39,22 | 130 | 29,25 | 70 | 15,75 | 5,20 |
| 1 | 25,0 | IP100 | 200 | 53,00 | 300 | 67,50 | 70 | 15,75 | 13,00 |

| Size | Series/Size | Max. operating pressure | | | | | | Burst pressure | | | | | |
|------|-------------|-------------------------|------|------|------|--------|------|----------------|-------|------|-------|--------|-------|
| | | Coupled | | Male | | Female | | Coupled | | Male | | Female | |
| Inch | | MPa | psi | MPa | psi | MPa | psi | MPa | psi | MPa | psi | MPa | psi |
| 1/4 | IP14D** | 35 | 5075 | 35 | 5075 | 35 | 5075 | 110 | 15950 | 126 | 18270 | 126 | 18270 |
| 3/8 | IP38 | 30 | 4350 | 30 | 4350 | 30 | 4350 | 100 | 14500 | 100 | 14500 | 100 | 14500 |
| 1/2 | IP12 | 25 | 3625 | 25 | 3625 | 25 | 3625 | 90 | 13050 | 100 | 14500 | 100 | 14500 |
| 3/4 | IP34 | 25 | 3625 | 25 | 3625 | 25 | 3625 | 90 | 13050 | 100 | 14500 | 100 | 14500 |
| 1 | IP100 | 25 | 3625 | 25 | 3625 | 25 | 3625 | 80 | 11600 | 100 | 14500 | 100 | 14500 |

*Spillage is an indicative value of the fluid loss during disconnection (according to ISO 7241-2 test method)

** I-IP 14 type "D" couplings are not ISO7241-1/A interchangeable.

Temperature range:

Seals in NBR (Nitrile) : from -20 °C to +100 °C (from -4 °F to +212 °F).
Please read carefully "instruction and warning" for proper selection of the products.

Tests:

The couplings have been tested at max. operating pressure for 200.000 impulses according to ISO 7241-2 test method.



WARNING

A defect, a wrong choice or an improper use of products, can cause injury to persons, animals and objects.

Never connect or disconnect with dynamic pressure (e.g. pump on).

Do not couple-uncouple with flow and/or pressure in the circuit.

Do not couple-uncouple when the temperature inside of the circuit is higher than 80 °C (176 °F).

Check the maximum allowable working pressure of the port in use.

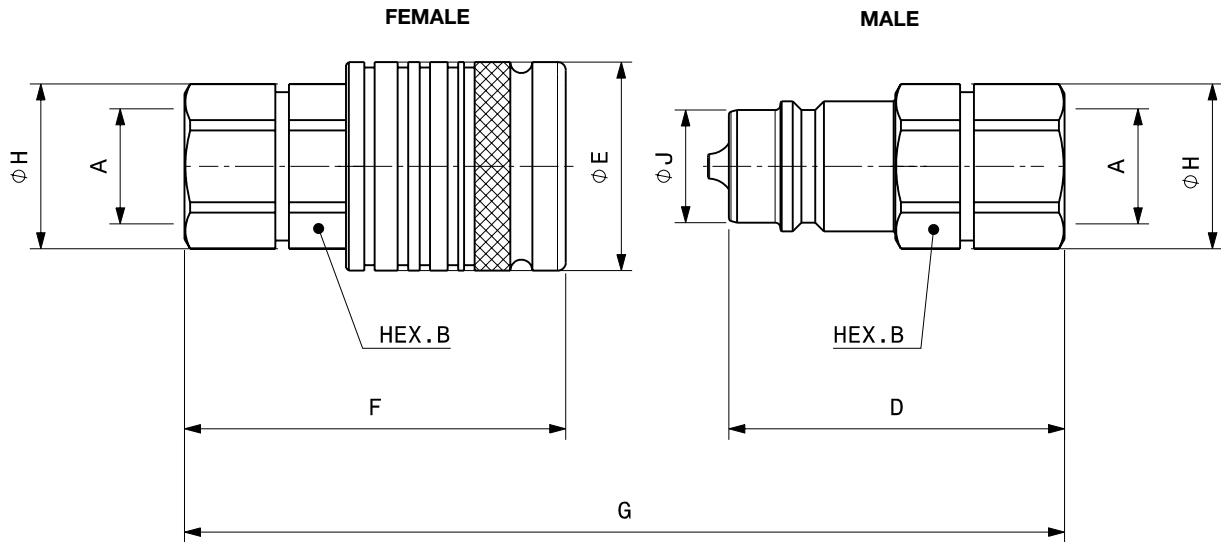
Make sure that the medium used is compatible with seal and material as indicated for each series.

In case of doubt please contact Stucchi Technical Support.

The interchangeability is mentioned under the assumption that the manufacturer of the considered products has not changed any dimension.

It is MANDATORY to read and closely follow the instructions. Last updated version always apply at time of installation, see latest written Instructions on Stucchi website (www.stucchi.it) before selecting or using Stucchi products.

OVERALL DIMENSIONS



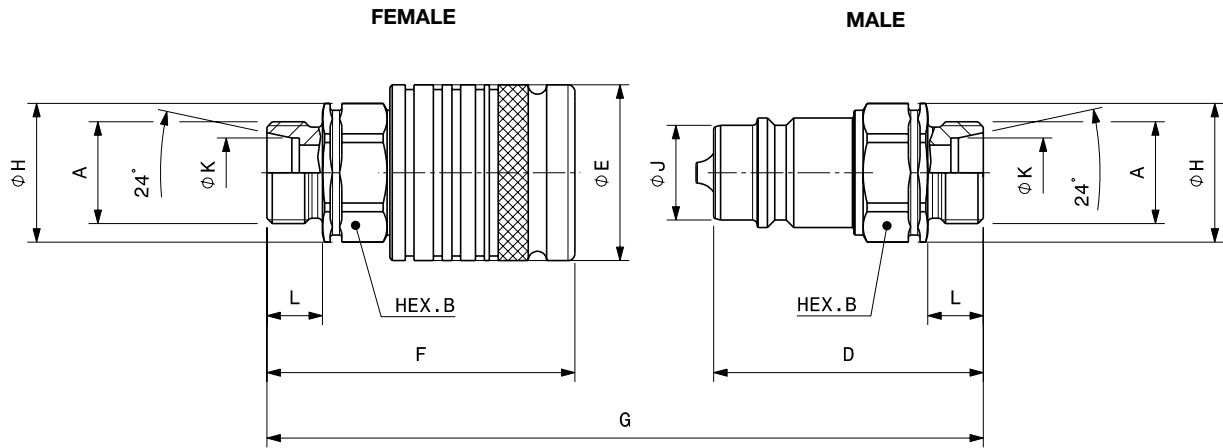
Port description: FEMALE THREAD BSP (ISO 1179-1)

| BODY SIZE | Descriptive Code | Item Code | ISO DN | BG | PORT (A) | Overall Length | Length | | Hex | | Overall Diameter | | Body Diameter | | Weight | | | | | | | |
|-----------|------------------|------------------|--------|----|----------|----------------|--------|------|-----|-------|------------------|------|---------------|------|--------|------|------|-----|------|------|------|------|
| | | | | | | | mm | inch | mm | inch | mm | inch | mm | inch | mm | inch | Kg | Lbs | | | | |
| 3/8" | F IP38 1/4 BSP | Female 809400008 | 10 | 2 | 1/4" | G | 64,8 | 2,55 | F | 67,5 | 2,66 | B | 22,0 | 0,87 | H | 24,0 | 0,94 | E | 32,0 | 1,26 | 0,22 | 0,49 |
| | M I38 1/4 BSP | Male 809400009 | | | | | | | D | 49,3 | 1,94 | J | 17,3 | 0,68 | 0,09 | 0,20 | | | | | | |
| 3/8" | F IP38 3/8 BSP | Female 809400010 | 10 | 2 | 3/8" | G | 76,8 | 3,02 | F | 70,5 | 2,78 | B | 22,0 | 0,87 | H | 24,0 | 0,94 | E | 32,0 | 1,26 | 0,22 | 0,49 |
| | M I38 3/8 BSP | Male 809400011 | | | | | | | D | 52,3 | 2,06 | J | 17,3 | 0,68 | 0,09 | 0,20 | | | | | | |
| 1/2" | F IP12 3/8 BSP | Female 809400004 | 12,5 | 3 | 3/8" | G | 86,3 | 3,40 | F | 65,6 | 2,58 | B | 27,0 | 1,06 | H | 30,0 | 1,18 | E | 38,0 | 1,50 | 0,26 | 0,57 |
| | M I12 3/8 BSP | Male 809400005 | | | | | | | D | 57,3 | 2,26 | J | 20,5 | 0,81 | 0,14 | 0,31 | | | | | | |
| 1/2" | F IP12 1/2 BSP | Female 809400000 | 12,5 | 3 | 1/2" | G | 111,1 | 4,37 | F | 69,4 | 2,73 | B | 27,0 | 1,06 | H | 30,0 | 1,18 | E | 38,0 | 1,50 | 0,26 | 0,56 |
| | M I12 1/2 BSP | Male 809400001 | | | | | | | D | 61,1 | 2,41 | J | 20,5 | 0,81 | 0,14 | 0,31 | | | | | | |
| 3/4" | F IP34 3/4 BSP | Female 809400014 | 20 | 4 | 3/4" | G | 127,3 | 5,01 | F | 91,5 | 3,60 | B | 36,0 | 1,42 | H | 40,0 | 1,57 | E | 46,0 | 1,81 | 0,62 | 1,36 |
| | M I34 3/4 BSP | Male 809400015 | | | | | | | D | 64,4 | 2,54 | J | 29,0 | 1,14 | 0,28 | 0,62 | | | | | | |
| 1" | F IP100 3/4 BSP | Female 809400016 | 25 | 6 | 3/4" | G | 151,2 | 5,95 | F | 103,5 | 4,07 | B | 41,0 | 1,61 | H | 45,0 | 1,77 | E | 54,0 | 2,13 | 0,90 | 1,98 |
| | M I100 3/4 BSP | Male 809400017 | | | | | | | D | 69,5 | 2,74 | J | 34,3 | 1,35 | 0,40 | 0,88 | | | | | | |
| 1" | F IP100 1" BSP | Female 809400018 | 25 | 6 | 1" | G | 171,3 | 6,74 | F | 109,0 | 4,29 | B | 41,0 | 1,61 | H | 45,0 | 1,77 | E | 54,0 | 2,13 | 0,89 | 1,96 |
| | M I100 1" BSP | Male 809400019 | | | | | | | D | 75,0 | 2,95 | J | 34,3 | 1,35 | 0,39 | 0,86 | | | | | | |

Port description: FEMALE THREAD NPT (ANSI B.1.20.1)

| BODY SIZE | Descriptive Code | Item Code | ISO DN | BG | PORT (A) | Overall Length | Length | | Hex | | Overall Diameter | | Body Diameter | | Weight | | | | | | | |
|-----------|------------------|------------------|--------|----|----------|----------------|--------|------|-----|------|------------------|------|---------------|------|--------|------|------|-----|------|------|------|------|
| | | | | | | | mm | inch | mm | inch | mm | inch | mm | inch | mm | inch | Kg | Lbs | | | | |
| 1/2" | F IP12 1/2 NPT | Female 809401000 | 12,5 | 3 | 1/2" | G | 111,1 | 4,37 | F | 68,1 | 2,68 | B | 27,0 | 1,06 | H | 30,0 | 1,18 | E | 38,0 | 1,50 | 0,25 | 0,11 |
| | M I12 1/2 NPT | Male 809401001 | | | | | | | D | 59,8 | 2,35 | J | 20,5 | 0,81 | 0,14 | 0,06 | | | | | | |

Panel mounting on the sleeve: please contact your local Stucchi sales engineer to get detailed dimensions.



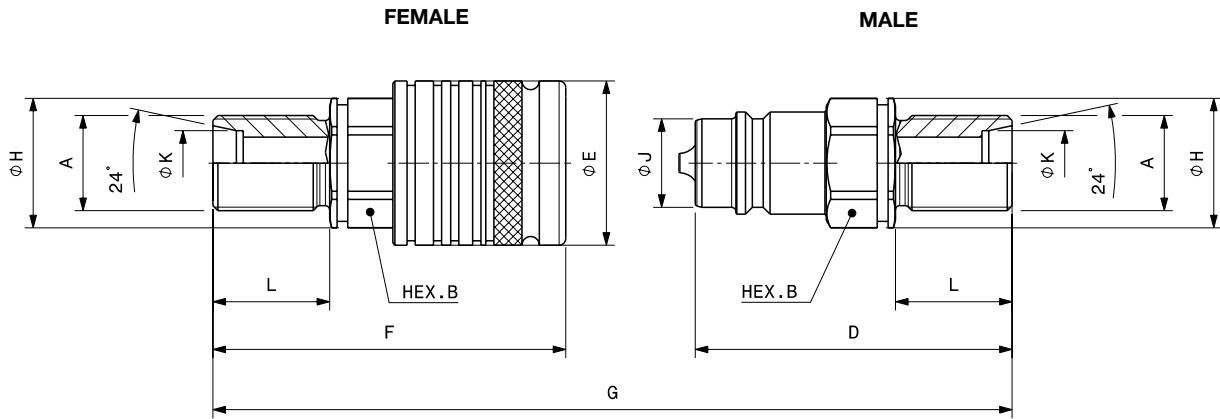
Port description: MALE THREAD METRIC L SERIES – 24° CONE (ISO 8434-1 & DIN 2353)

| BODY SIZE | Descriptive Code | Item Code | ISO DN | BG | PORT (A) | Overall Length | | Length | | Hex | | Overall Diameter | | Diameter | | Length | | Body Diameter | | Weight | | | | | | | | | |
|-----------|------------------|-----------|-----------|------|----------|----------------|------|--------|------|-----|-------|------------------|------|----------|------|--------|------|---------------|------|--------|------|---|------|------|---|------|------|------|------|
| | | | | | | mm | inch | mm | inch | mm | inch | mm | inch | mm | inch | mm | inch | mm | inch | Kg | Lbs | | | | | | | | |
| 1/4" | F IP14D L8 | Female | 809408010 | 6,3 | 1 | M14 X 1,5 | G | 90,5 | 3,56 | F | 62,9 | 2,48 | B | 19,0 | 0,75 | H | 21,0 | 0,83 | K | 8,2 | 0,32 | L | 10,0 | 0,39 | E | 26,0 | 1,02 | 0,13 | 0,29 |
| | M I14D L8 | Male | 809408011 | | | | | | | D | 45,0 | 1,77 | J | 11,9 | 0,47 | 0,05 | 0,10 | | | | | | | | | | | | |
| 3/8" | F IP38 L8 | Female | 809408012 | 10 | 2 | M14X 1,5 | G | 93,2 | 3,67 | F | 64,5 | 2,54 | B | 22,0 | 0,87 | H | 24,0 | 0,94 | K | 8,2 | 0,32 | L | 10,0 | 0,39 | E | 32,0 | 1,26 | 0,20 | 0,44 |
| | M I38 L8 | Male | 809408013 | | | | | | | D | 46,3 | 1,82 | J | 17,3 | 0,68 | 0,07 | 0,15 | | | | | | | | | | | | |
| 3/8" | F IP38 L10 | Female | 809408014 | 10 | 2 | M16 X 1,5 | G | 95,2 | 3,75 | F | 65,5 | 2,58 | B | 22,0 | 0,87 | H | 24,0 | 0,94 | K | 10,2 | 0,40 | L | 11,0 | 0,43 | E | 32,0 | 1,26 | 0,20 | 0,44 |
| | M I38 L10 | Male | 809408015 | | | | | | | D | 47,3 | 1,86 | J | 17,3 | 0,68 | 0,07 | 0,15 | | | | | | | | | | | | |
| 1/2" | F IP12 L8 | Female | 809408002 | 12,5 | 3 | M14 X 1,5 | G | 101,0 | 3,98 | F | 65,6 | 2,58 | B | 27,0 | 1,06 | H | 30,0 | 1,18 | K | 8,2 | 0,32 | L | 10,0 | 0,39 | E | 38,0 | 1,50 | 0,24 | 0,52 |
| | M I12 L8 | Male | 809408003 | | | | | | | D | 57,3 | 2,26 | J | 20,5 | 0,81 | 0,12 | 0,26 | | | | | | | | | | | | |
| 1/2" | F IP12 L10 | Female | 809408006 | 12,5 | 3 | M16 X 1,5 | G | 101,0 | 3,98 | F | 65,6 | 2,58 | B | 27,0 | 1,06 | H | 30,0 | 1,18 | K | 10,2 | 0,40 | L | 11,0 | 0,43 | E | 38,0 | 1,50 | 0,23 | 0,51 |
| | M I12 L10 | Male | 809408007 | | | | | | | D | 57,3 | 2,26 | J | 20,5 | 0,81 | 0,12 | 0,26 | | | | | | | | | | | | |
| 1/2" | F IP12 L12 | Female | 809408000 | 12,5 | 3 | M18x1,5 | G | 120,0 | 4,72 | F | 84,6 | 3,33 | B | 27,0 | 1,06 | H | 30,0 | 1,18 | K | 12,2 | 0,48 | L | 11,0 | 0,43 | E | 38,0 | 1,50 | 0,23 | 0,51 |
| | M I12 L12 | Male | 809408001 | | | | | | | D | 57,3 | 2,26 | J | 20,5 | 0,81 | 0,12 | 0,26 | | | | | | | | | | | | |
| 1/2" | F IP12 L15 | Female | 809408004 | 12,5 | 3 | M22x1,5 | G | 103,0 | 4,06 | F | 66,6 | 2,62 | B | 27,0 | 1,06 | H | 30,0 | 1,18 | K | 15,2 | 0,60 | L | 12,0 | 0,47 | E | 38,0 | 1,50 | 0,24 | 0,53 |
| | M I12 L15 | Male | 809408005 | | | | | | | D | 58,3 | 2,30 | J | 20,5 | 0,81 | 0,12 | 0,27 | | | | | | | | | | | | |
| 1/2" | F IP12 L:8 | Female | 809408008 | 12,5 | 3 | M26x1,5 | G | 103,0 | 4,06 | F | 66,6 | 2,62 | B | 27,0 | 1,06 | H | 30,0 | 1,18 | K | 18,2 | 0,72 | L | 12,0 | 0,47 | E | 38,0 | 1,50 | 0,24 | 0,54 |
| | M I12 L18 | Male | 809408009 | | | | | | | D | 58,3 | 2,30 | J | 20,5 | 0,81 | 0,13 | 0,28 | | | | | | | | | | | | |
| 3/4" | F IP34 L18 | Female | 809408026 | 20 | 4 | M26x1,5 | G | 120,5 | 4,74 | F | 87,1 | 3,43 | B | 36,0 | 1,42 | H | 40,0 | 1,57 | K | 18,2 | 0,72 | L | 12,0 | 0,47 | E | 46,0 | 1,81 | 0,57 | 1,26 |
| | M I34 L18 | Male | 809408027 | | | | | | | D | 60,0 | 2,36 | J | 29,0 | 1,14 | 0,24 | 0,52 | | | | | | | | | | | | |
| 3/4" | F IP34 L22 | Female | 809408028 | 20 | 4 | M30x2 | G | 122,4 | 4,82 | F | 88,0 | 3,46 | B | 36,0 | 1,42 | H | 40,0 | 1,57 | K | 22,0 | 0,87 | L | 14,0 | 0,55 | E | 46,0 | 1,81 | 0,57 | 1,25 |
| | M I34 L22 | Male | 809408029 | | | | | | | D | 61,0 | 2,40 | J | 29,0 | 1,14 | 0,23 | 0,51 | | | | | | | | | | | | |
| 1" | F IP100 L15 | Female | 809408030 | 25 | 6 | M22x1,5 | G | 138,6 | 5,46 | F | 103,0 | 4,06 | B | 41,0 | 1,61 | H | 45,0 | 1,77 | K | 15,2 | 0,60 | L | 12,0 | 0,47 | E | 54,0 | 2,13 | 0,85 | 1,87 |
| | M I100 L15 | Male | 809408031 | | | | | | | D | 69,0 | 2,72 | J | 34,3 | 1,35 | 0,35 | 0,76 | | | | | | | | | | | | |
| 1" | F IP100 L18 | Female | 809408032 | 25 | 6 | M26x1,5 | G | 138,6 | 5,46 | F | 103,0 | 4,06 | B | 41,0 | 1,61 | H | 45,0 | 1,77 | K | 18,2 | 0,72 | L | 12,0 | 0,47 | E | 54,0 | 2,13 | 0,85 | 1,87 |
| | M I100 L18 | Male | 809408033 | | | | | | | D | 69,0 | 2,72 | J | 34,3 | 1,35 | 0,35 | 0,76 | | | | | | | | | | | | |
| 1" | F IP100 L22 | Female | 809408034 | 25 | 6 | M30x2 | G | 142,6 | 5,61 | F | 105,0 | 4,13 | B | 41,0 | 1,61 | H | 45,0 | 1,77 | K | 22,2 | 0,87 | L | 14,0 | 0,55 | E | 54,0 | 2,13 | 0,85 | 1,88 |
| | M I100 L22 | Male | 809408035 | | | | | | | D | 71,0 | 2,80 | J | 34,3 | 1,35 | 0,35 | 0,77 | | | | | | | | | | | | |
| 1" | F IP100 L28 | Female | 809408036 | 25 | 6 | M36x2 | G | 142,6 | 5,61 | F | 105,0 | 4,13 | B | 41,0 | 1,61 | H | 45,0 | 1,77 | K | 28,2 | 1,11 | L | 14,0 | 0,55 | E | 54,0 | 2,13 | 0,85 | 1,88 |
| | M I100 L28 | Male | 809408037 | | | | | | | D | 71,0 | 2,80 | J | 34,3 | 1,35 | 0,35 | 0,77 | | | | | | | | | | | | |

Port description: MALE THREAD METRIC S SERIES – 24° CONE (ISO 8434-1 & DIN 2353)

| BODY SIZE | Descriptive Code | Item Code | ISO DN | BG | PORT (A) | Overall Length | | Length | | Hex | | Overall Diameter | | Diameter | | Length | | Body Diameter | | Weight | | | | | | | | | |
|-----------|------------------|-----------|-----------|------|----------|----------------|------|--------|------|-----|------|------------------|------|----------|------|--------|------|---------------|------|--------|------|---|------|------|---|------|------|------|------|
| | | | | | | mm | inch | mm | inch | mm | inch | mm | inch | mm | inch | mm | inch | mm | inch | Kg | Lbs | | | | | | | | |
| 1/2" | F IP12 S10 | Female | 809409000 | 12,5 | 3 | M18x1,5 | G | 103,0 | 4,06 | F | 66,6 | 2,62 | B | 27,0 | 1,06 | H | 30,0 | 1,18 | K | 10,2 | 0,40 | L | 12,0 | 0,47 | E | 38,0 | 1,50 | 0,24 | 0,53 |
| | M I12 S10 | Male | 809409001 | | | | | | | D | 58,3 | 2,30 | J | 20,5 | 0,81 | 0,12 | 0,27 | | | | | | | | | | | | |
| 1/2" | F IP12 S12 | Female | 809409002 | 12,5 | 3 | M20x1,5 | G | 103,0 | 4,06 | F | 66,6 | 2,62 | B | 27,0 | 1,06 | H | 30,0 | 1,18 | K | 12,2 | 0,48 | L | 12,0 | 0,47 | E | 38,0 | 1,50 | 0,24 | 0,53 |
| | M I12 S12 | Male | 809409003 | | | | | | | D | 58,3 | 2,30 | J | 20,5 | 0,81 | 0,13 | 0,28 | | | | | | | | | | | | |
| 1/2" | F IP12 S14 | Female | 809409004 | 12,5 | 3 | M22x1,5 | G | 107,0 | 4,21 | F | 68,6 | 2,70 | B | 27,0 | 1,06 | H | 30,0 | 1,18 | K | 14,2 | 0,56 | L | 14,0 | 0,55 | E | 38,0 | 1,50 | 0,25 | 0,54 |
| | M I12 S14 | Male | 809409005 | | | | | | | D | 60,3 | 2,37 | J | 20,5 | 0,81 | 0,13 | 0,29 | | | | | | | | | | | | |

Panel mounting on the sleeve: please contact your local Stucchi sales engineer to get detailed dimensions.



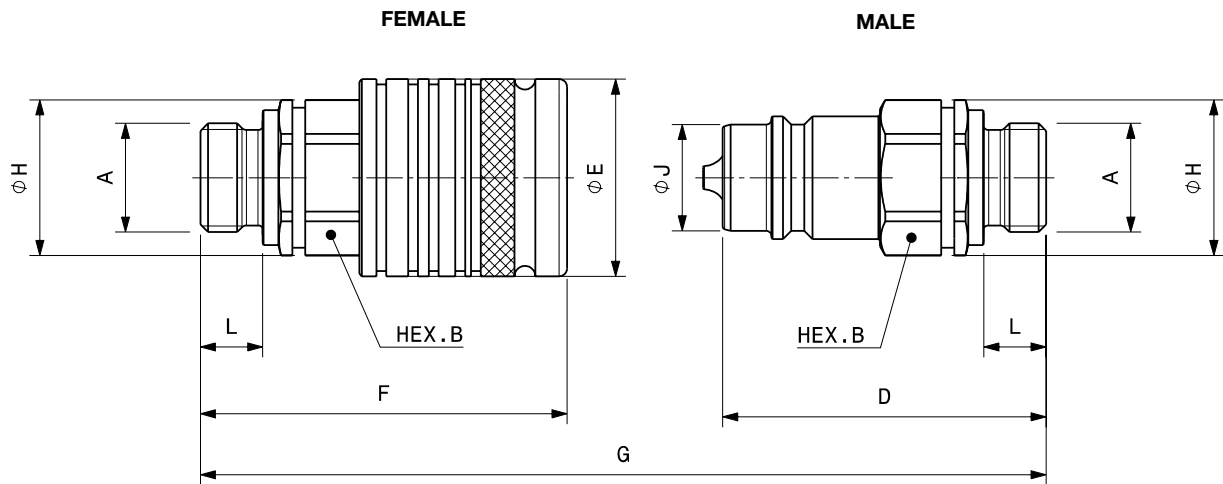
Port description: MALE THREAD METRIC L SCHOTT – BULKHEAD SERIES – 24° CONE (ISO 8434-1 & DIN 2353)

| BODY SIZE | Descriptive Code | Item Code | ISO DN | BG | PORT (A) | Overall Length | | Length | | Hex | | Overall Diameter | | Diameter | | Length | | Body Diameter | | Weight | | | | | | | | | |
|-----------|----------------------|-----------|-----------|------|----------|----------------|------|--------|------|------|-------|------------------|------|----------|------|--------|------|---------------|------|--------|------|---|------|------|------|------|------|------|------|
| | | | | | | mm | inch | mm | inch | mm | inch | mm | inch | mm | inch | mm | inch | mm | inch | Kg | Lbs | | | | | | | | |
| 1/4" | F IP140 L8 SCHOTT | Female | 809410010 | 6,3 | 1 | M14 X 1,5 | G | 120,5 | 4,74 | F | 77,9 | 3,07 | B | 19,0 | 0,75 | H | 21,0 | 0,83 | K | 8,2 | 0,32 | L | 25,0 | 0,98 | E | 26,0 | 1,02 | 0,14 | 0,31 |
| | M IP140 L8 SCHOTT | Male | 809410011 | | | | | D | 60,0 | 2,36 | | | | | | | | | | | | J | 11,9 | 0,47 | 0,06 | 0,13 | | | |
| 3/8" | F IP38 L8 SCHOTT | Female | 809410012 | 10 | 2 | M14 X 1,5 | G | 123,2 | 4,85 | F | 79,5 | 3,13 | B | 22,0 | 0,87 | H | 24,0 | 0,94 | K | 8,2 | 0,32 | L | 25,0 | 0,98 | E | 32,0 | 1,26 | 0,21 | 0,46 |
| | M IP38 L8 SCHOTT | Male | 809410013 | | | | | D | 61,3 | 2,41 | | | | | | | | | | | | J | 17,3 | 0,68 | 0,08 | 0,18 | | | |
| 3/8" | F IP38 L10 SCHOTT | Female | 809410014 | 10 | 2 | M16 X 1,5 | G | 125,2 | 4,93 | F | 80,5 | 3,17 | B | 22,0 | 0,87 | H | 24,0 | 0,94 | K | 10,2 | 0,40 | L | 26,0 | 1,02 | E | 32,0 | 1,26 | 0,21 | 0,47 |
| | M IP38 L10 SCHOTT | Male | 809410015 | | | | | D | 62,3 | 2,45 | | | | | | | | | | | | J | 17,3 | 0,68 | 0,08 | 0,18 | | | |
| 1/2" | F IP12 L8 SCHOTT | Female | 809410002 | 12,5 | 3 | M14 X 1,5 | G | 133,0 | 5,24 | F | 81,6 | 3,21 | B | 27,0 | 1,06 | H | 30,0 | 1,18 | K | 8,2 | 0,32 | L | 26,0 | 1,02 | E | 38,0 | 1,50 | 0,25 | 0,55 |
| | M IP12 L8 SCHOTT | Male | 809410003 | | | | | D | 73,3 | 2,89 | | | | | | | | | | | | J | 20,5 | 0,81 | 0,13 | 0,29 | | | |
| 1/2" | F IP12 L10 SCHOTT | Female | 809410006 | 12,5 | 3 | M16 X 1,5 | G | 131,0 | 5,16 | F | 80,6 | 3,17 | B | 27,0 | 1,06 | H | 30,0 | 1,18 | K | 10,2 | 0,40 | L | 26,0 | 1,02 | E | 38,0 | 1,50 | 0,25 | 0,54 |
| | M IP12 L10 SCHOTT | Male | 809410007 | | | | | D | 72,3 | 2,85 | | | | | | | | | | | | J | 20,5 | 0,81 | 0,13 | 0,29 | | | |
| 1/2" | F IP12 L12 SCHOTT 36 | Female | 809410000 | 12,5 | 3 | M18 X 1,5 | G | 139,0 | 5,47 | F | 84,6 | 3,33 | B | 27,0 | 1,06 | H | 30,0 | 1,18 | K | 12,2 | 0,48 | L | 30,0 | 1,18 | E | 38,0 | 1,50 | 0,25 | 0,56 |
| | M IP12 L12 SCHOTT 36 | Male | 809410001 | | | | | D | 76,3 | 3,00 | | | | | | | | | | | | J | 20,5 | 0,81 | 0,14 | 0,31 | | | |
| 1/2" | F IP12 L15 SCHOTT | Female | 809410004 | 12,5 | 3 | M22 X 1,5 | G | 133,0 | 5,24 | F | 81,6 | 3,21 | B | 27,0 | 1,06 | H | 30,0 | 1,18 | K | 15,2 | 0,60 | L | 27,0 | 1,06 | E | 38,0 | 1,50 | 0,27 | 0,59 |
| | M IP12 L15 SCHOTT | Male | 809410005 | | | | | D | 73,3 | 2,89 | | | | | | | | | | | | J | 20,5 | 0,81 | 0,15 | 0,34 | | | |
| 1/2" | F IP12 L18 SCHOTT | Female | 809410008 | 12,5 | 3 | M26 X 1,5 | G | 133,0 | 5,24 | F | 81,6 | 3,21 | B | 27,0 | 1,06 | H | 30,0 | 1,18 | K | 18,2 | 0,72 | L | 27,0 | 1,06 | E | 38,0 | 1,50 | 0,28 | 0,62 |
| | M IP12 L18 SCHOTT | Male | 809410009 | | | | | D | 73,3 | 2,89 | | | | | | | | | | | | J | 20,5 | 0,81 | 0,16 | 0,36 | | | |
| 3/4" | F IP34 L15 SCHOTT | Female | 809410024 | 20 | 4 | M22 X 1,5 | G | 148,5 | 5,85 | F | 101,1 | 3,98 | B | 36,0 | 1,42 | H | 40,0 | 1,57 | K | 15,2 | 0,60 | L | 27,0 | 1,06 | E | 46,0 | 1,81 | 0,59 | 1,29 |
| | M IP34 L15 SCHOTT | Male | 809410025 | | | | | D | 74,0 | 2,91 | | | | | | | | | | | | J | 29,0 | 1,14 | 0,25 | 0,55 | | | |
| 3/4" | F IP34 L22 SCHOTT 36 | Female | 809410028 | 20 | 4 | M30 X 2 | G | 166,5 | 6,56 | F | 110,1 | 4,33 | B | 36,0 | 1,42 | H | 40,0 | 1,57 | K | 22,0 | 0,87 | L | 36,0 | 1,42 | E | 46,0 | 1,81 | 0,63 | 1,38 |
| | M IP34 L22 SCHOTT 36 | Male | 809410029 | | | | | D | 83,0 | 3,27 | | | | | | | | | | | | J | 29,0 | 1,14 | 0,29 | 0,64 | | | |

Port description: MALE THREAD METRIC S SCHOTT – BULKHEAD SERIES – 24° CONE (ISO 8434-1 & DIN 2353)

| BODY SIZE | Descriptive Code | Item Code | ISO DN | BG | PORT (A) | Overall Length | | Length | | Hex | | Overall Diameter | | Diameter | | Length | | Body Diameter | | Weight | | | | | | | | | |
|-----------|-----------------------|-----------|-----------|------|----------|----------------|------|--------|------|------|-------|------------------|------|----------|------|--------|------|---------------|------|--------|------|---|------|------|------|------|------|------|------|
| | | | | | | mm | inch | mm | inch | mm | inch | mm | inch | mm | inch | mm | inch | mm | inch | Kg | Lbs | | | | | | | | |
| 1/2" | F IP12 S10 SCHOTT | Female | 809411000 | 12,5 | 3 | M18 X 1,5 | G | 133,0 | 5,24 | F | 81,6 | 3,21 | B | 27,0 | 1,06 | H | 30,0 | 1,18 | K | 10,2 | 0,40 | L | 27,0 | 1,06 | E | 38,0 | 1,50 | 0,27 | 0,60 |
| | M IP12 S10 SCHOTT | Male | 809411001 | | | | | D | 73,3 | 2,89 | | | | | | | | | | | | J | 20,5 | 0,81 | 0,16 | 0,35 | | | |
| 1/2" | F IP12 S12 SCHOTT | Female | 809411002 | 12,5 | 3 | M20 X 1,5 | G | 133,0 | 5,24 | F | 81,6 | 3,21 | B | 27,0 | 1,06 | H | 30,0 | 1,18 | K | 12,2 | 0,48 | L | 27,0 | 1,06 | E | 38,0 | 1,50 | 0,27 | 0,59 |
| | M IP12 S12 SCHOTT | Male | 809411003 | | | | | D | 73,3 | 2,89 | | | | | | | | | | | | J | 20,5 | 0,81 | 0,15 | 0,33 | | | |
| 1/2" | F IP12 S16 SCHOTT | Female | 809411006 | 12,5 | 3 | M24 X 1,5 | G | 137,0 | 5,39 | F | 83,6 | 3,29 | B | 27,0 | 1,06 | H | 30,0 | 1,18 | K | 16,2 | 0,64 | L | 29,0 | 1,14 | E | 38,0 | 1,50 | 0,28 | 0,62 |
| | M IP12 S16 SCHOTT | Male | 809411007 | | | | | D | 75,3 | 2,96 | | | | | | | | | | | | J | 20,5 | 0,81 | 0,17 | 0,37 | | | |
| 3/4" | F IP34 S16 SCHOTT | Female | 809411010 | 20 | 4 | M24 X 1,5 | G | 152,5 | 6,00 | F | 103,1 | 4,06 | B | 36,0 | 1,42 | H | 40,0 | 1,57 | K | 16,2 | 0,64 | L | 29,0 | 1,14 | E | 46,0 | 1,81 | 0,60 | 1,33 |
| | M IP34 S16 SCHOTT | Male | 809411011 | | | | | D | 76,0 | 2,99 | | | | | | | | | | | | J | 29,0 | 1,14 | 0,27 | 0,59 | | | |
| 3/4" | F IP34 S20 SCHOTT | Female | 809411012 | 20 | 4 | M30 X 2 | G | 166,5 | 6,56 | F | 110,1 | 4,33 | B | 36,0 | 1,42 | H | 40,0 | 1,57 | K | 20,0 | 0,79 | L | 36,0 | 1,42 | E | 46,0 | 1,81 | 0,65 | 1,43 |
| | M IP34 S20 SCHOTT | Male | 809411013 | | | | | D | 83,0 | 3,27 | | | | | | | | | | | | J | 29,0 | 1,14 | 0,31 | 0,69 | | | |
| 1" | F IP100 S20 SCHOTT 38 | Female | 809411014 | 25 | 6 | M30 X 2 | G | 190,6 | 7,50 | F | 129,0 | 5,08 | B | 41,0 | 1,61 | H | 45,0 | 1,77 | K | 20,2 | 0,80 | L | 38,0 | 1,50 | E | 54,0 | 2,13 | 0,94 | 2,07 |
| | M IP100 S20 SCHOTT 38 | Male | 809411015 | | | | | D | 95,0 | 3,74 | | | | | | | | | | | | J | 34,3 | 1,35 | 0,44 | 0,96 | | | |
| 1" | F IP100 S25 SCHOTT | Female | 809411016 | 25 | 6 | M36 X 2 | G | 190,6 | 7,50 | F | 129,0 | 5,08 | B | 41,0 | 1,61 | H | 45,0 | 1,77 | K | 25,2 | 0,99 | L | 38,0 | 1,50 | E | 54,0 | 2,13 | 0,98 | 2,16 |
| | M IP100 S25 SCHOTT | Male | 809411017 | | | | | D | 95,0 | 3,74 | | | | | | | | | | | | J | 34,3 | 1,35 | 0,48 | 1,06 | | | |

Panel mounting on the sleeve: please contact your local Stucchi sales engineer to get detailed dimensions.



Port description: MALE THREAD BSPP (DIN3852/A)

| BODY SIZE | Descriptive Code | Item Code | ISO DN | BG | PORT (A) | Overall Length | Length | | Length | | Hex | | Overall Diameter | | Overall Diameter | | Weight | | | | | | | | |
|-----------|------------------------|------------------|--------|----|----------|----------------|--------|------|--------|------|------|------|------------------|------|------------------|------|--------|------|------|------|---|------|------|------|------|
| | | | | | | | mm | inch | mm | inch | mm | inch | mm | inch | mm | inch | Kg | Lbs | | | | | | | |
| 3/8" | F IP38 3/8 BSP EST - A | Female 809400012 | 10 | 2 | 3/8' | G | 102,2 | 4,02 | F | 69,0 | 2,72 | L | 12,0 | 0,47 | B | 22,0 | 0,87 | H | 24,0 | 0,94 | E | 32,0 | 1,26 | 0,42 | 0,91 |
| | M I38 3/8 BSP EST - A | Male 809400013 | | | | | | | D | 50,8 | 2,00 | | | | J | 17,3 | 0,68 | 0,08 | 0,18 | | | | | | |
| 1/2" | F IP12 1/2 BSP EST - A | Female 809400002 | 12,5 | 3 | 1/2' | G | 111,0 | 4,37 | F | 70,6 | 2,78 | L | 12,0 | 0,47 | B | 27,0 | 1,06 | H | 30,0 | 1,18 | E | 38,0 | 1,50 | 0,28 | 0,62 |
| | M I12 1/2 BSP EST - A | Male 809400003 | | | | | | | D | 62,3 | 2,45 | | | | J | 20,5 | 0,81 | 0,14 | 0,30 | | | | | | |

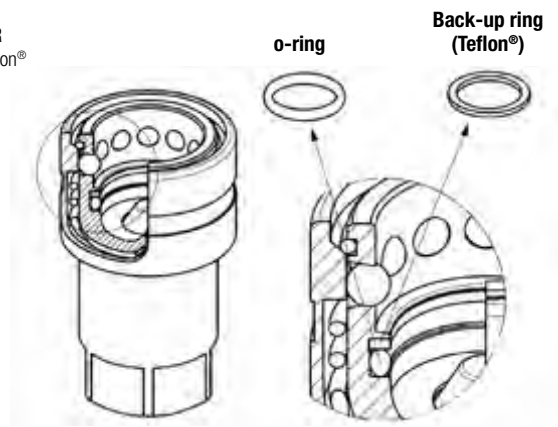
Panel mounting on the sleeve: please contact your local Stucchi sales engineer to get detailed dimensions.



SPARE KIT SEAL FOR FEMALE

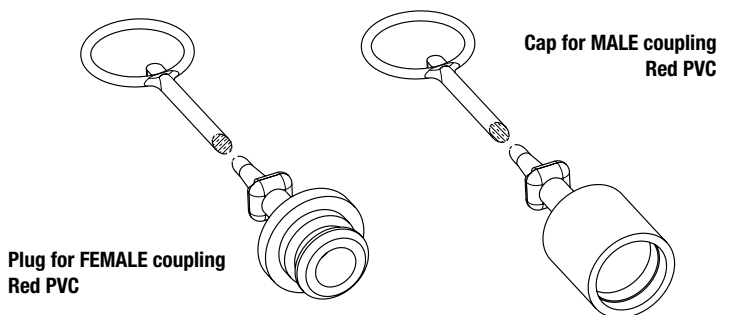
| Repair kit / OR+BK | | |
|--------------------|-----------------|-------------|
| Body Size | Description | Part Number |
| 1/4" | F IP14D (OR+BK) | 815700924 |
| 3/8" | F IP38 (OR+BK) | 815700926 |
| 1/2" | F IP12 (OR+BK) | 815700928 |
| 3/4" | F IP34 (OR+BK) | 815700930 |
| 1" | F IP100 (OR+BK) | 815700932 |

O-Ring in NBR
BackUp in Teflon®



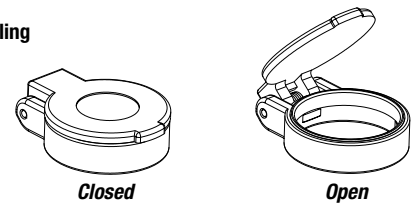
PROTECTIVE CAPS FOR I-IP SERIES

Protective caps are always recommended to protect the couplings from damage, dirt inclusion, and will increase the product life. This is particularly important in agriculture applications where exposure to weather and aggregate materials are common. The protective caps for I-IP series are manufactured in PVC with connection lanyard (standard color red). A flip cap version is also available for the size 1/2".



| Protective Cap | | | |
|-----------------------|-----------------|--------------|----------------|
| Body Size/Description | Part Number | | Material/Color |
| | Plug for Female | Cap for Male | |
| 3/8" IP38 | 815000014 | 815000015 | PVC/Red |
| 1/2" IP12 | 815000004 | 815000005 | PVC/Red |
| 3/4" IP34 | 815000016 | 815000017 | PVC/Red |
| 1" IP100 | 815000018 | 815000019 | PVC/Red |

Cap for FEMALE coupling
Red Plastic



| Protective Cap | | |
|-----------------------|-----------------|----------------|
| Body Size/Description | Part Number | |
| | Plug for Female | Material/Color |
| 1/2" IP12 | 815200004 | Nylon/Red |

For complete technical information see www.stucchi.it or contact info@stucchi.it - STUCCHI S.p.A. - January 2015 - All right reserved. The texts, data and illustrations indicated in this catalogue, may be changed by Stucchi S.p.A at any time without notice. (CAT I-IP - EN REV.0).

ISO A

CENTRALA ELBLĄG

Ul. Rawska 19B
82-300 Elbląg

tel. /+48/ 55 625 51 00

fax /+48/ 55 625 51 01

Dział Handlowy

tel. /+48/ 55 625 51 51

elblag@hydropress.pl



www.hydropress.pl

ODDZIAŁ GDAŃSK

tel. /+48/ 55 625 51 21

fax /+48/ 55 625 51 22

ODDZIAŁ RUMIA

tel. /+48/ 58 679 34 15

fax /+48/ 55 625 51 25

ODDZIAŁ TYCHY

tel. /+48/ 32 787 52 88

fax /+48/ 55 625 51 38

ODDZIAŁ OLSZTYN

tel. /+48/ 89 532 01 05

fax /+48/ 89 715 21 42

ODDZIAŁ WARSZAWA

tel. /+48/ 22 468 86 97

fax /+48/ 55 625 51 32

BIURO WE WROCŁAWIU

tel. /+48/ 782 838 000

fax /+48/ 55 625 51 35

BIURO W KIELCACH

tel. /+48/ 885 995 501

fax /+48/ 55 625 51 01

BIURO W KRAKOWIE

tel. /+48/ 885 995 019

fax /+48/ 55 625 51 01

BIURO W OPOLU

tel. /+48/ 885 995 011

fax /+48/ 55 625 51 01

BIURO W BYDGOSZCZY

tel. /+48/ 790 222 771

fax /+48/ 55 625 51 01

BIURO W BIAŁYMSTOKU

tel. /+48/ 89 532 01 05

fax /+48/ 89 715 21 42

BIURO W ŁODZI

tel. /+48/ 609 221 421

fax /+48/ 89 715 21 42