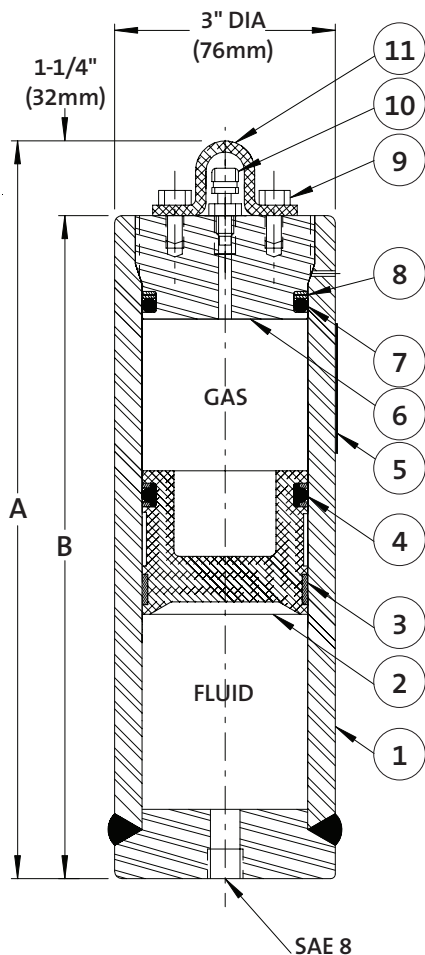


030AT30 PISTON ACCUMULATORS

Model Number	Gas Capacity		Fluid Capacity		Dry Weight		Dimension A		Dimension B	
	In. ³	Cm. ³	Gallon	Liters	Lbs.	Kg.	Inch	mm	Inch	mm
030AT30-5NA19	15	246	0.0625	0.24	7	3	9.75	248	8.5	216
030AT30-1NA19	32	524	0.125	0.5	8	4	12.625	321	11.375	289
030AT30-2NA19	62	1,016	0.25	1	11	5	18.75	477	17.5	445
030AT30-4NA19	116	1,901	0.5	2	19	9	30.563	777	29.3125	745



Maximum working pressure 3,000 psi (207 bar)
 Maximum proof pressure 4,500 psi (310 bar)
 Minimum burst pressure 12,000 psi (827 bar)

Operating temperature (BUNA/Nitrile)
 -20° to +200°F (-28° to 93°C)

TOBUL ACCUMULATOR INCORPORATED
www.fst.com

FREUDENBERG
 SEALING TECHNOLOGIES

Item Number	Part Number	Description	Number Required
X	HFV20MA6.5-9	Head, Fluid, SAE 8 Welded to Cylinder	1
1	C24TA20-55AT	Cylinder, 030AT30-5, .5 Pint, .24 Liter	1
	C24TA20-76.5AT	Cylinder, 030AT30-1, 1 Pint, .5 Liter	
	C24TA20-126AT	Cylinder, 030AT30-2, 1 Quart, 1 Liter	
	C24TA20-220AT	Cylinder, 030AT30-4, .5 Gallon, 2 Liter	
2	P20MH12.5T	Piston, Aluminum, Single Ring	1
3	SW2S40-8	Wearband, Piston, GFT	1
4	ST3N34Y	Seal, Piston, "T" Seal Assembly, BUNA/Nylon	1
5	NP-300	Nameplate	1
6	HG20MA10-1	Head, Gas, ½-20	1
7	SB3T34	Seal, O-Ring, Head, BUNA-N	1
8	SB3T34	Seal, Backup, Teflon	1
9	B-.37CB16S6-B	Bolt, Carbon Steel, 3/8-16 x ¾	2
10	3A-283	SS Valve, Gas, 3K, ½-20 UNF-3A	1
11	3A-754D	Guard, Valve, Aluminum	1

Complete seal kits

New Part Number	Type	Old Part Number
SK030AT30-NT	BUNA-N	3AT30-G40T-NST
SK030AT30-VT	FKM (Viton®)	3AT30-G40T-ETT
SK030AT30-ET	BUTYL	3AT30-G40T-HTT

Specify seal material by selecting appropriate material code: "N" = BUNA-N, "B" = BUTYL, "E" = EPR, "V" = FKM (Viton®)

Optional porting/mounting/piston seal configurations available on request