

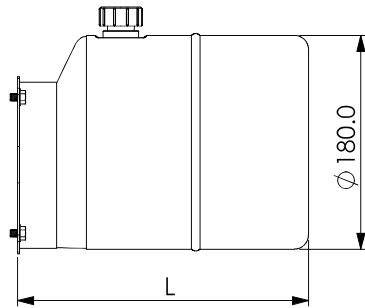
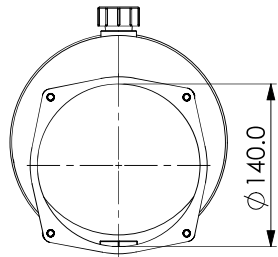
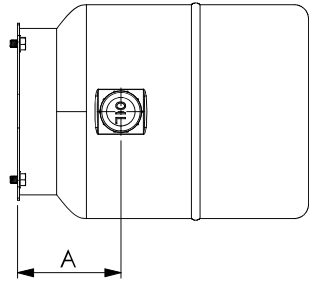
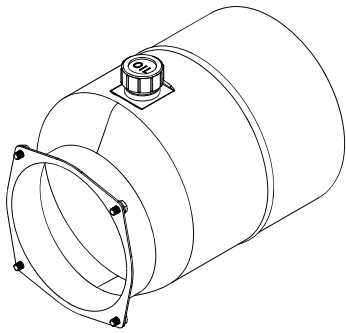


ZBIORNIKI DO MINI-POWER PACKÓW

Round steel reservoirs

For 152x152 manifold

∅ 180 mm



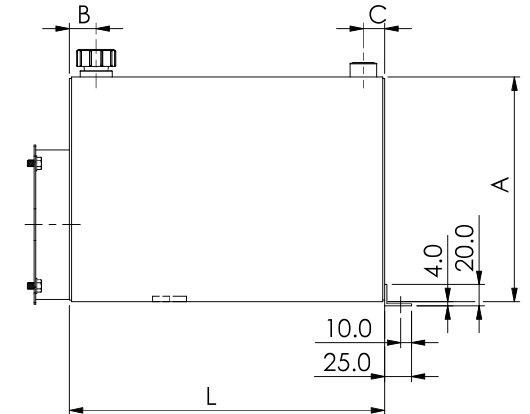
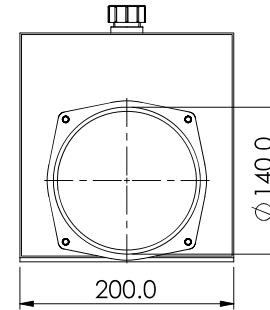
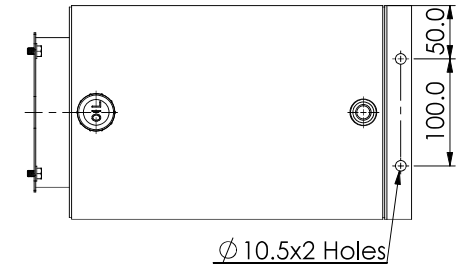
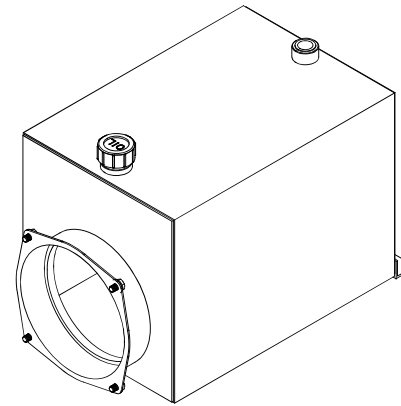
Unit : mm

Ordering Code	L (mm)	A (mm)	Volume (Liters)
KKAL200RD002	205	87	3.0
KKAL240RD002	245	87	4.0
KKAL280RD002	285	87	5.0
KKAL320RD002	325	87	6.0
KKAL360RD002	365	87	7.0
KKAL400RD002	405	87	8.0
KKAL440RD002	445	87	9.0

* If you need the special specification. Please contact us.

Square steel reservoirs

For 152x152 manifold



Unit:mm

Ordering Code	L (mm)	A (mm)	B (mm)	C (mm)	Volume (Liters)
KKB100HRD001	295	180	25	20	10 (2.5G)
KKB120HRD002	295	210	25	20	12 (3.0G)
KKB200HRD002	545	210	25	20	20 (5.0G)

* If you need the special specification. Please contact us.

CENTRALA ELBLĄG

Ul. Rawska 19B
82-300 Elbląg

tel. /+48/ 55 625 51 00

fax /+48/ 55 625 51 01

Dział Handlowy

tel. /+48/ 55 625 51 51

elblag@hydropress.pl



www.hydropress.pl

ODDZIAŁ GDAŃSK

tel. /+48/ 55 625 51 21

fax /+48/ 55 625 51 22

ODDZIAŁ RUMIA

tel. /+48/ 58 679 34 15

fax /+48/ 55 625 51 25

ODDZIAŁ TYCHY

tel. /+48/ 32 787 52 88

fax /+48/ 55 625 51 38

ODDZIAŁ OLSZTYN

tel. /+48/ 89 532 01 05

fax /+48/ 89 715 21 42

ODDZIAŁ WARSZAWA

tel. /+48/ 22 468 86 97

fax /+48/ 55 625 51 32

BIURO WE WROCŁAWIU

tel. /+48/ 782 838 000

fax /+48/ 55 625 51 35

BIURO W KIELCACH

tel. /+48/ 885 995 501

fax /+48/ 55 625 51 01

BIURO W KRAKOWIE

tel. /+48/ 885 995 019

fax /+48/ 55 625 51 01

BIURO W OPOLU

tel. /+48/ 885 995 011

fax /+48/ 55 625 51 01

BIURO W BYDGOSZCZY

tel. /+48/ 790 222 771

fax /+48/ 55 625 51 01

BIURO W BIAŁYMSTOKU

tel. /+48/ 89 532 01 05

fax /+48/ 89 715 21 42

BIURO W ŁODZI

tel. /+48/ 609 221 421

fax /+48/ 89 715 21 42