



WSKAŹNIKI POZIOMU



Indicatori visivi di livello per fluidi *Fluid level temperature gauges*

Descrizione:

Pressione max di esercizio:

Connessioni:

Temperatura di esercizio:

Termometro:

Materiali:

Caratteristiche tecniche

Indicatori visivi di livello per fluidi.

1 bar

Metrico

-20°C +80°C

doppia scala 0°C ÷ 100°C 30°F ÷ 210 °F.

- Testine: nylon
- Protezione: alluminio anodizzato
- Viti: acciaio zincato
- Guarnizioni: Buna-N compatibile secondo ISO 2943 con oli minerali (HH-HL-HM-HR-HV-HG) emulsioni acquose (HFAE-HFAS)

Description:

Max working pressure:

Port connections:

Working temperature:

Thermometer:

Materials:

Technical information

Fluid level temperature gauges.

1 Bar (14.5 psi)

Metric

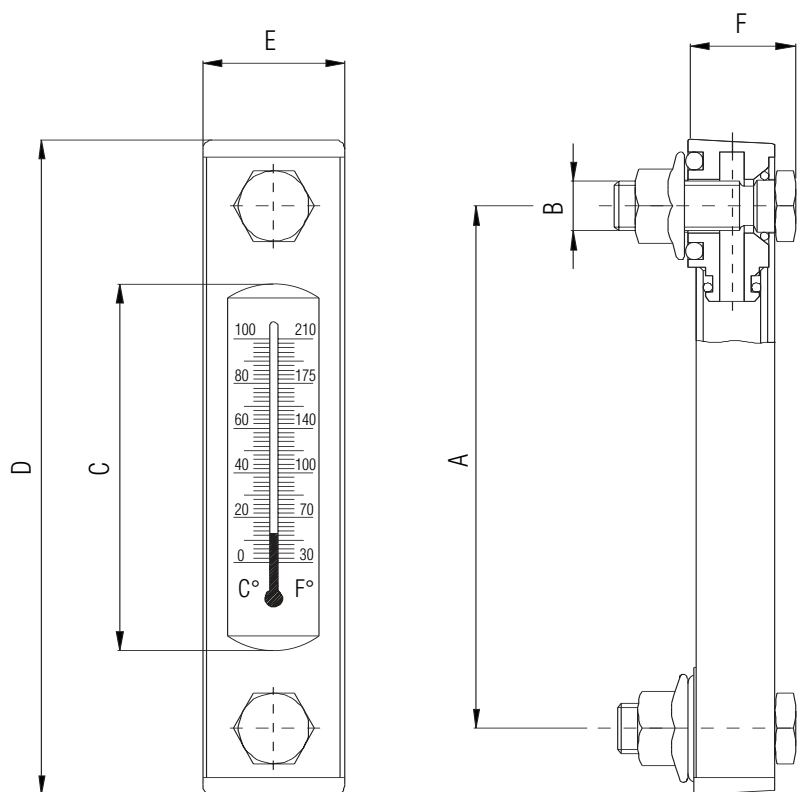
-20°C +80°C (-4 °F +176 °F)

Double scale 0°C ÷ 100°C 30°F ÷ 210 °F.

- Heads: nylon
- Protection: aluminum anodized
- Screws: zinc steel
- Seal: Buna-N compatible as per ISO 2943 with mineral oil (HH-HL-HM-HR-HV-HG) water oil emulsions (HFAE-HFAS)



Informazioni dimensionali Overall dimensions



1) Grandezza nominale Nominal size

Codice Code	A	B	C	D	E	F
FL-1	76	M10	35	106	36	30
FL-2	127		86	157	36	30
FL-3	254	M12	213	284	36	30

2) Termometro Temperature indicator

Codice Code	Termometro Thermometer
0	Senza / Without
T	Con / With

3) Conessioni Connection port

Codice Code	Connessione Connection
M10	M10
M12	M12

Codici per l'ordinazione Ordering information

FL-2	T	M12
1*	2*	3*

CENTRALA ELBLĄG

Ul. Rawska 19B
82-300 Elbląg

tel. /+48/ 55 625 51 00

fax /+48/ 55 625 51 01

Dział Handlowy

tel. /+48/ 55 625 51 51

elblag@hydropress.pl



www.hydropress.pl

ODDZIAŁ GDAŃSK

tel. /+48/ 55 625 51 21

fax /+48/ 55 625 51 22

ODDZIAŁ RUMIA

tel. /+48/ 58 679 34 15

fax /+48/ 55 625 51 25

ODDZIAŁ TYCHY

tel. /+48/ 32 787 52 88

fax /+48/ 55 625 51 38

ODDZIAŁ OLSZTYN

tel. /+48/ 89 532 01 05

fax /+48/ 89 715 21 42

ODDZIAŁ WARSZAWA

tel. /+48/ 22 468 86 97

fax /+48/ 55 625 51 32

BIURO WE WROCŁAWIU

tel. /+48/ 782 838 000

fax /+48/ 55 625 51 35

BIURO W KIELCACH

tel. /+48/ 885 995 501

fax /+48/ 55 625 51 01

BIURO W KRAKOWIE

tel. /+48/ 885 995 019

fax /+48/ 55 625 51 01

BIURO W OPOLU

tel. /+48/ 885 995 011

fax /+48/ 55 625 51 01

BIURO W BYDGOSZCZY

tel. /+48/ 790 222 771

fax /+48/ 55 625 51 01

BIURO W BIAŁYMSTOKU

tel. /+48/ 89 532 01 05

fax /+48/ 89 715 21 42

BIURO W ŁODZI

tel. /+48/ 609 221 421

fax /+48/ 89 715 21 42