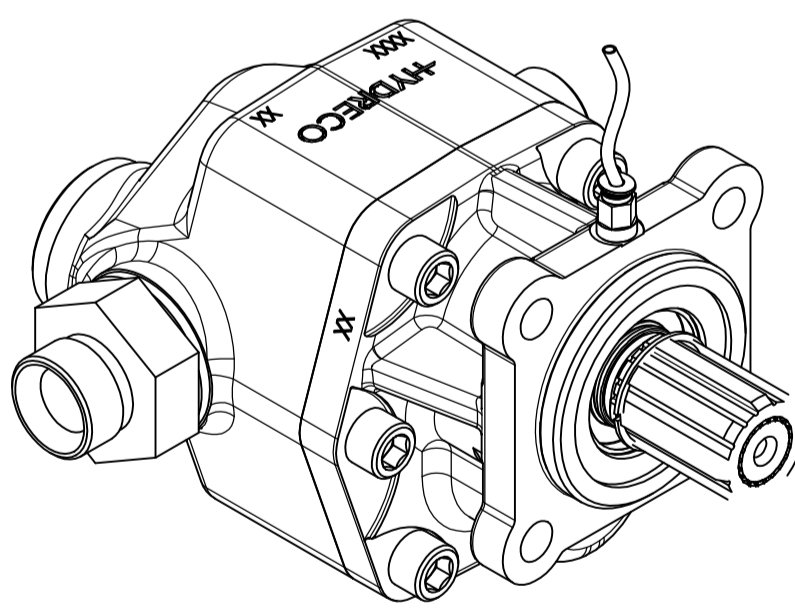
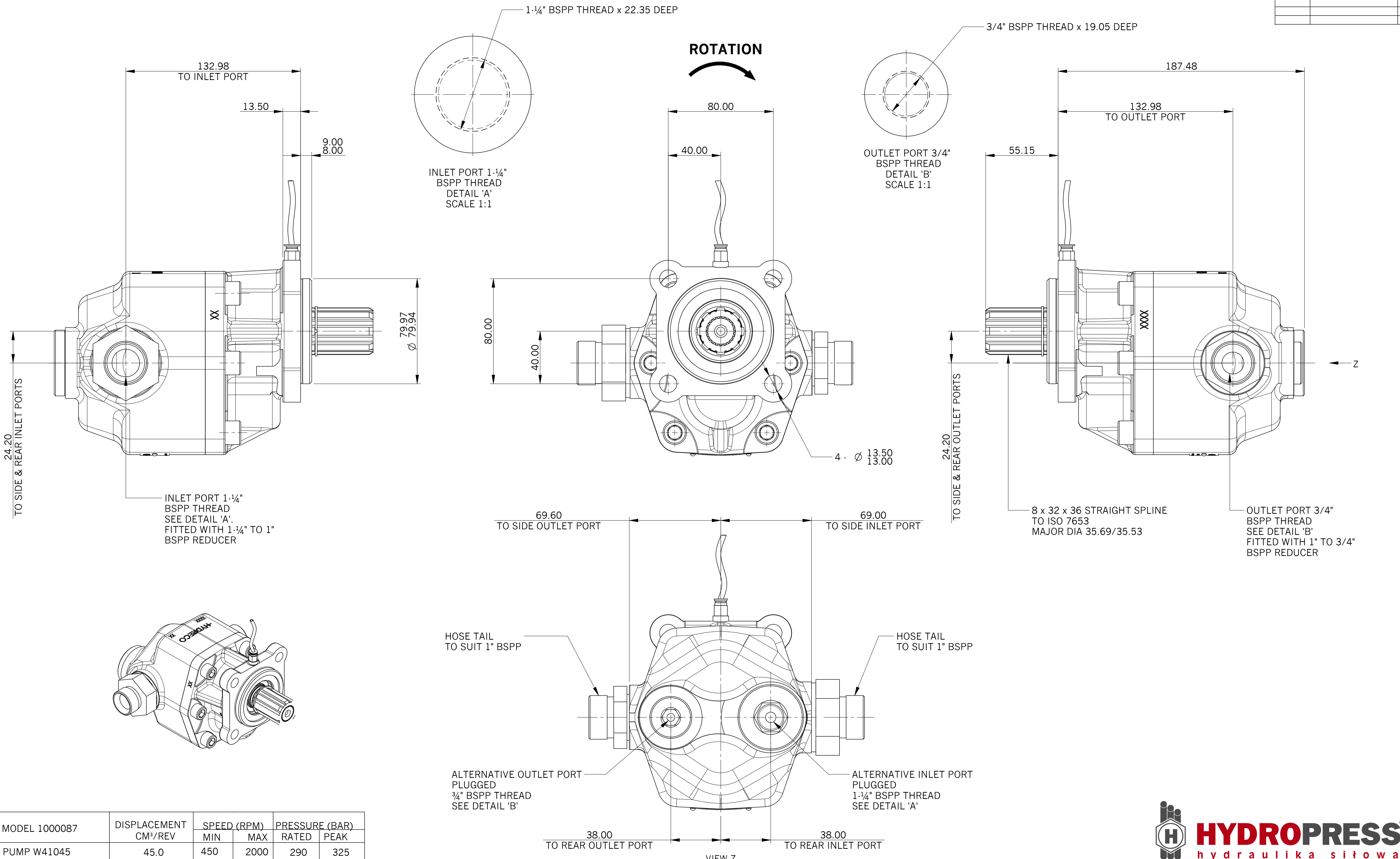
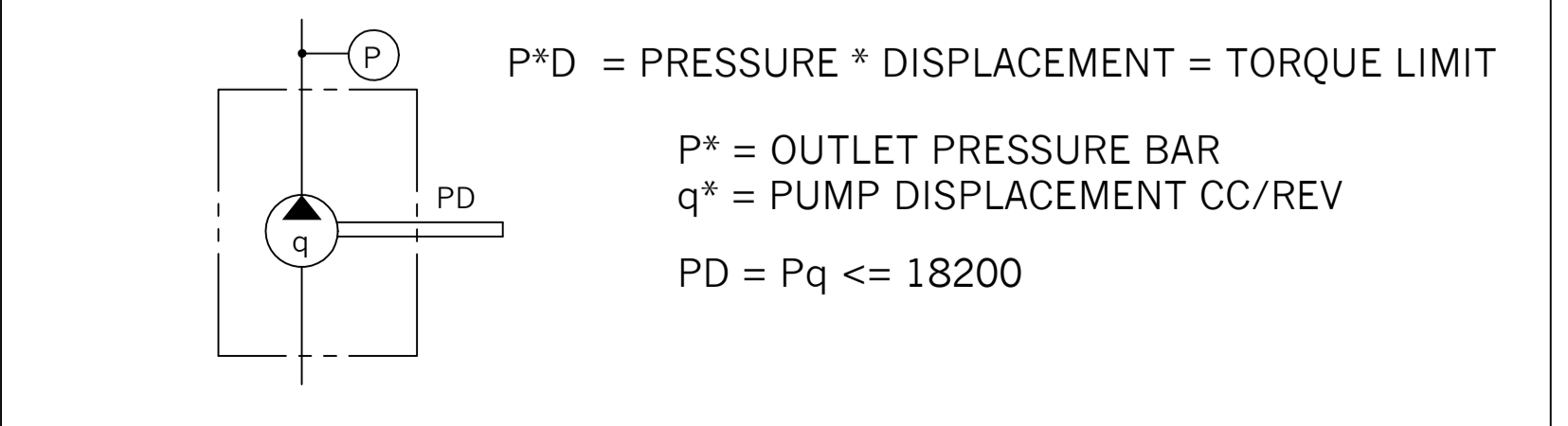


STANDARDS REQUIRED		
STANDARD	TITLE	QTY



MODEL 1000087	DISPLACEMENT CM ³ /REV	SPEED (RPM)		PRESSURE (BAR)	
		MIN	MAX	RATED	PEAK
PUMP W41045	45.0	450	2000	290	325



GEOMETRIC TOLERANCE SYMBOLS		DO NOT SCALE DRAWING - IF IN DOUBT ASK				DESCRIPTION	
CONCENTRICITY	PROFILE OF A SURFACE	NEW	ISSUE	N/A	17.06.16	KHS	JAS
SYMMETRY	ANGULARITY	ZONE	ECN	CATEGORY	DATE	BY	CHK
STRAIGHTNESS	SQUARENESS						
FLATNESS	PARALLELISM						
ROUNDNESS	POSITION						
CYLINDRICITY	RUN OUT						
PROFILE OF A LINE	DATUM						

DESCRIPTION		MATERIAL		TREATMENT		PROJECT REFERENCE		PRODUCT TYPE	
PUA-WP1C41-1000087-2C		-		-		-		Gear Pump - World Pump	
DRN	DATE	KHS		17.06.16		PROJECT REFERENCE		PRODUCT TYPE	
CHK	DATE	JAS		15.05.17		PROJECT REFERENCE		PRODUCT TYPE	
APPD	DATE	PG		15.05.17		PROJECT REFERENCE		PRODUCT TYPE	
WEIGHT: (kg)		-		-		PROJECT REFERENCE		PRODUCT TYPE	



SCALE	DRAWING SIZE	SHEET No
3:4	A1	SHT 1 OF 1

PART NUMBER	ISSUE
J1000087	A