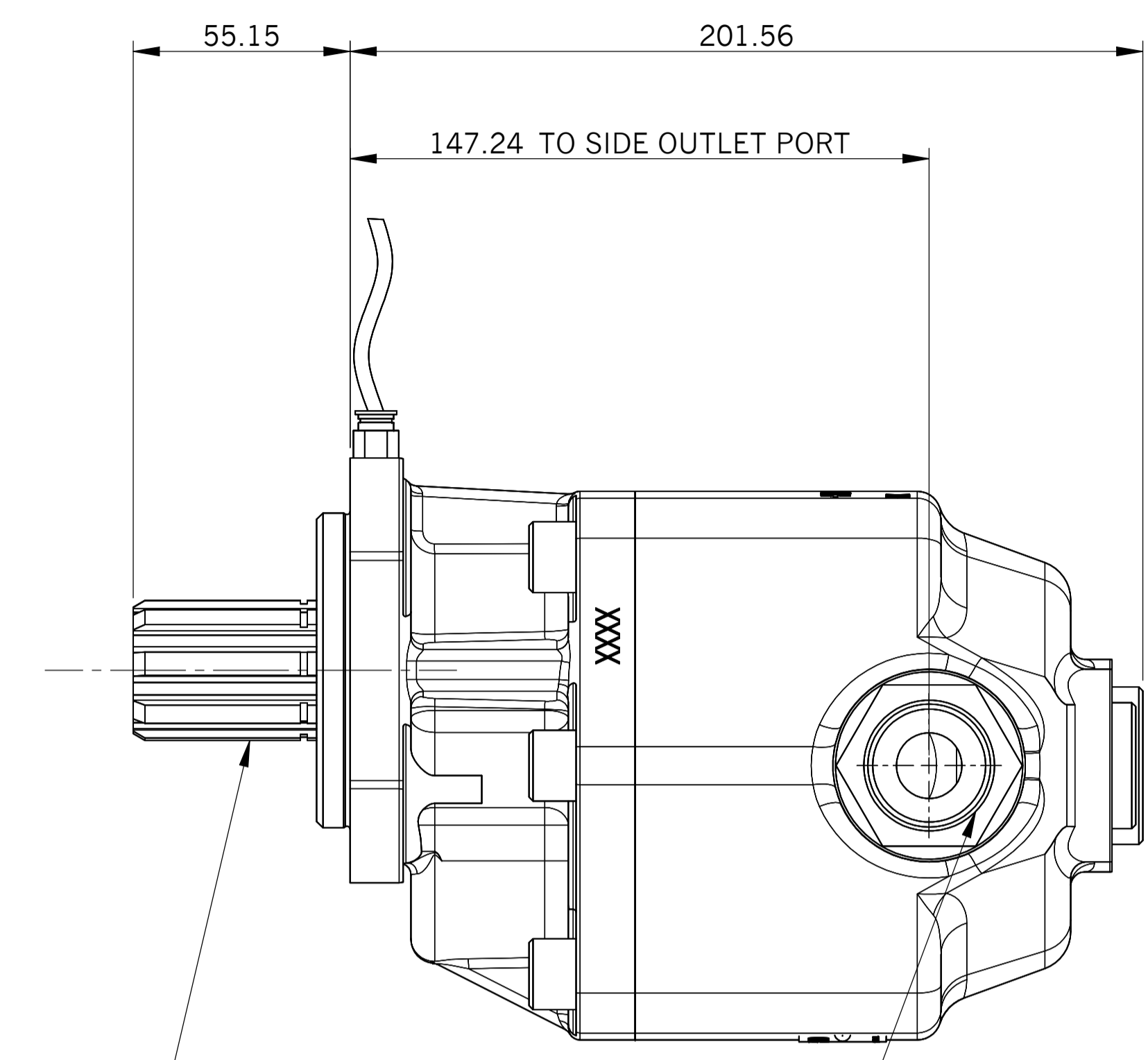
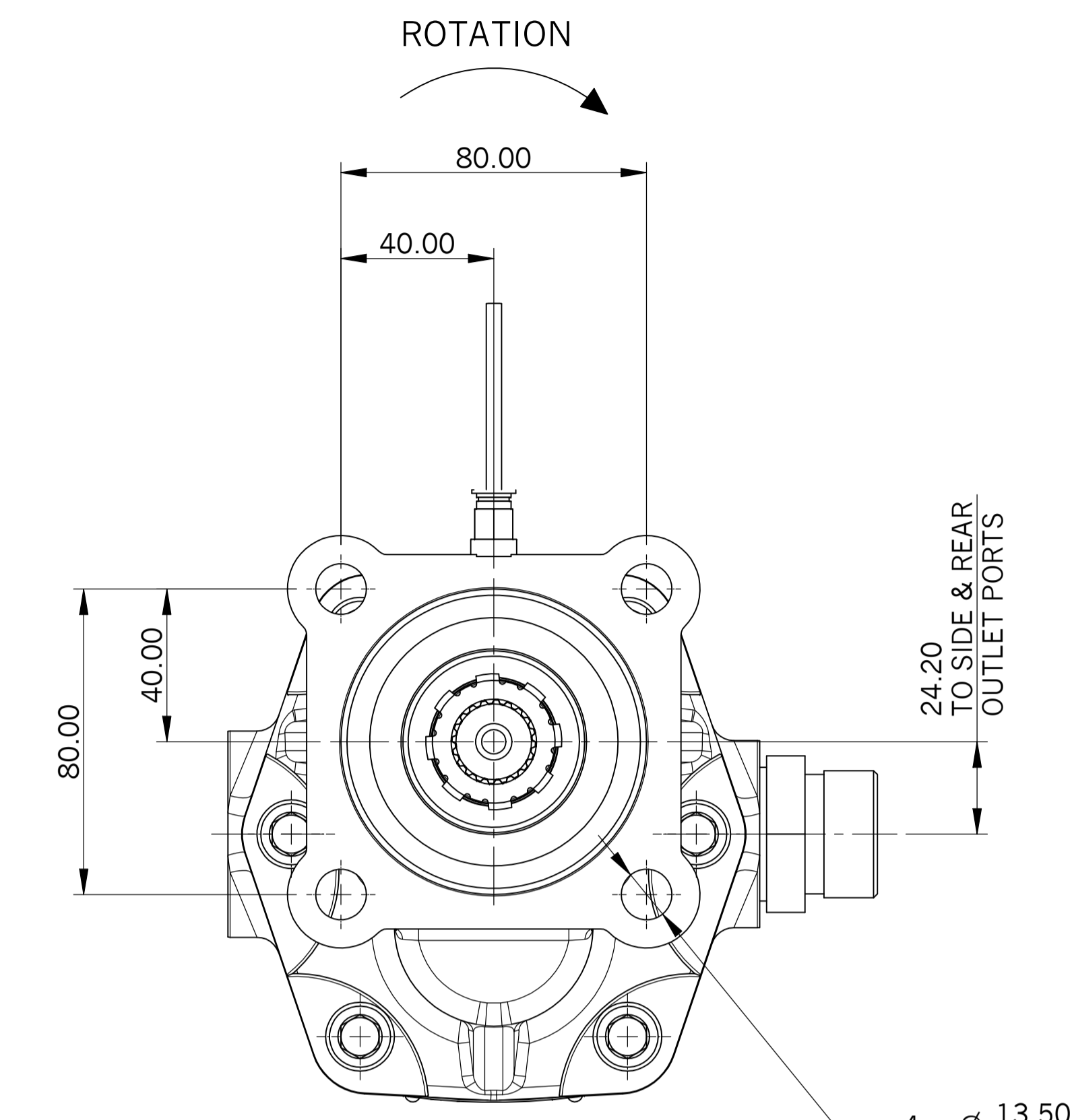
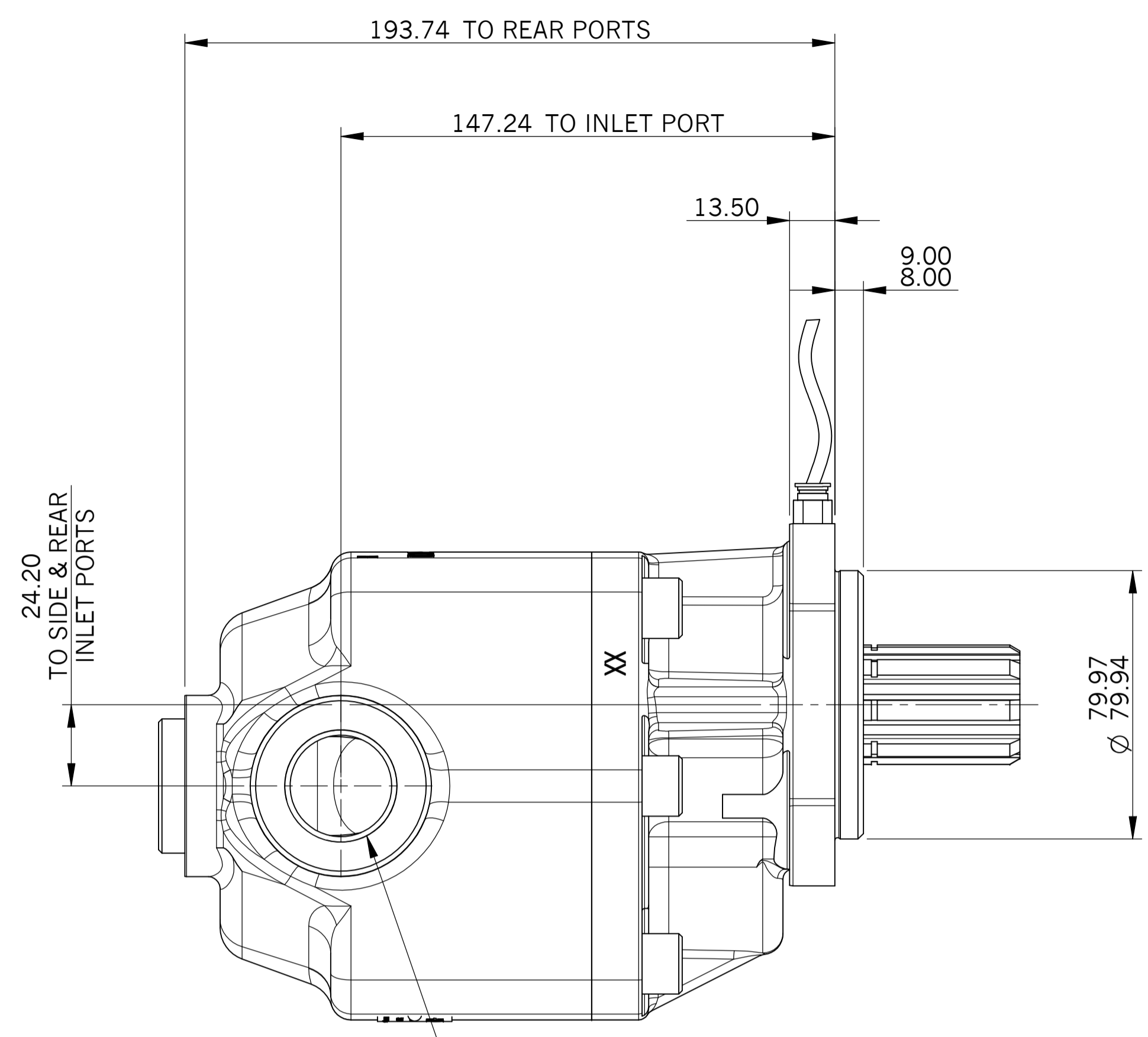


STANDARDS REQUIRED		
STANDARD	TITLE	QTY



INLET PORT
1" BSPP THREAD
SEE DETAIL 'A'

1" BSPP THREAD x 22.35 DEEP

INLET PORT
1" BSPP THREAD
DETAIL 'A'
SCALE 1:1

8 x 32 x 36 TO ISO 7653
MAJOR DIA 35.69/35.53

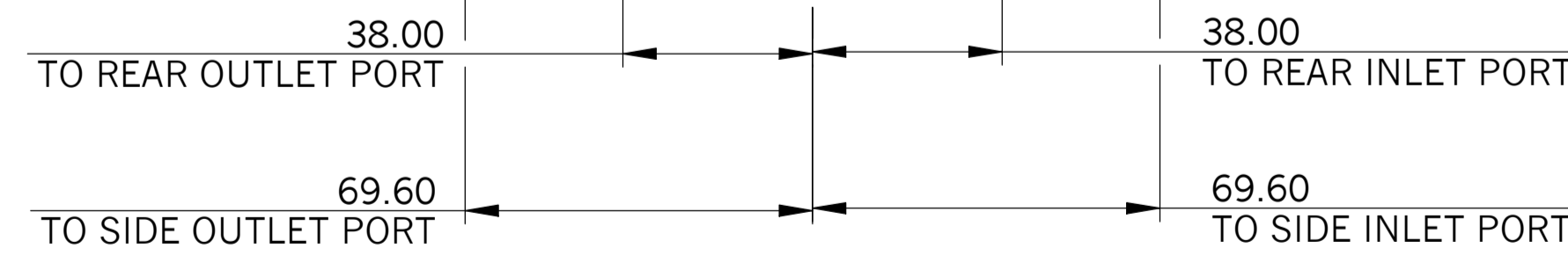
OUTLET PORT
3/4" BSPP THREAD
SEE DETAIL 'B'
FITTED WITH 3/4" TO 1" BSPP
MALE ADAPTOR

ALTERNATIVE OUTLET PORT
PLUGGED
3/4" BSPP THREAD
SEE DETAIL 'B'

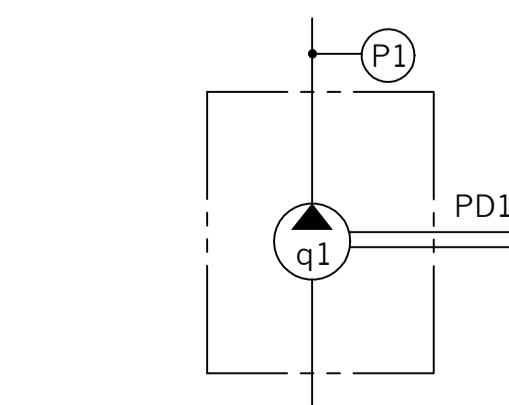
ALTERNATIVE INLET PORT
PLUGGED
1" BSPP THREAD
SEE DETAIL 'A'

3/4" BSPP THREAD x 19.05 DEEP

OUTLET PORT
3/4" BSPP THREAD
DETAIL 'B'
SCALE 1:1



MODEL 211401	DISPLACEMENT CM ³ /REV	SPEED (RPM)		PRESSURE (BAR)	
		RATED	PEAK	RATED	PEAK
PUMP W41065	65	2000	2500	280	315



PD * = PRESSURE * DISPLACEMENT = TORQUE LIMIT
P* = OUTLET PRESSURE BAR
q* = PUMP DISPLACEMENT CC/REV

GEOMETRIC TOLERANCE SYMBOLS		DO NOT SCALE DRAWING - IF IN DOUBT ASK	
	PROFILE OF A SURFACE	© AND DESIGN RIGHT HYDRECO HYDRAULICS LIMITED. ALL RIGHTS RESERVED AND ASSERTED. WITHOUT THE PRIOR WRITTEN PERMISSION OF HYDRECO HYDRAULICS LIMITED NO PART OF THIS DOCUMENT MAY BE ALTERED, ADAPTED, PUBLISHED, REPRODUCED OR TRANSMITTED IN ANY FORM OR MEDIUM. IF PERMISSION IS GIVEN ANY COPYRIGHT, DESIGN RIGHTS OR SIMILAR RIGHTS IN ANY ALTERATIONS OR ADAPTATIONS WILL BELONG TO HYDRECO HYDRAULICS LIMITED AND THIS NOTICE MUST BE INCLUDED PROMINENTLY WHENEVER ANY PART OF THIS DOCUMENT IS PUBLISHED, REPRODUCED OR TRANSMITTED.	
	ANGULARITY		
	SQUARENESS		
	PARALLELISM		
	POSITION		
	RUN OUT		
	DATUM		

DESCRIPTION				THIRD ANGLE PROJECTION	
WPC41065-211401-1C				HYDRECO POOLE - DORSET - ENGLAND	
DRN	DATE	MATERIAL	1. UNLESS OTHERWISE SPECIFIED DIMENSIONS ARE IN MILLIMETRES. 2. TOL. ON MACHINING DIMENSIONS : ±.25 mm. TOL. ON 3 DECIMAL PLACE DIMENSIONS : ±.10 mm. TOL. ON ANGULAR DIMENSIONS : ±.30 mms. 3. REMOVE SHARP CORNERS AND BURRS ON MACHINED SURFACES .13/.25mm x 45° CHAMFERS. 4. ALL TAPPED HOLES TO BE CHAMFERED 90° TO MAJOR DIAMETER. 5. MC SURFACES TO BE 3.2 μm (ROUGHNESS Nb) UNLESS OTHERWISE STATED.		
JE	16.12.13				
CHK	DATE	TREATMENT			
JAS	08.06.16				
APPD	DATE				
PG	08.06.16		SCALE	DRAWING SIZE	SHEET No
PROJECT REFERENCE			1:1.33	A1	SHT 1 OF 1
PRODUCT TYPE			PART NUMBER		
Gear Pump - World Pump			J211401		
ISSUE			ISSUE		
B	VAR	N/A	B		
A	N/A	N/A	B		
ISSUE	ZONE	ECN	DATE	BY	CHK
			08.06.16	KV	JAS
			16.12.13	JE	JJ

