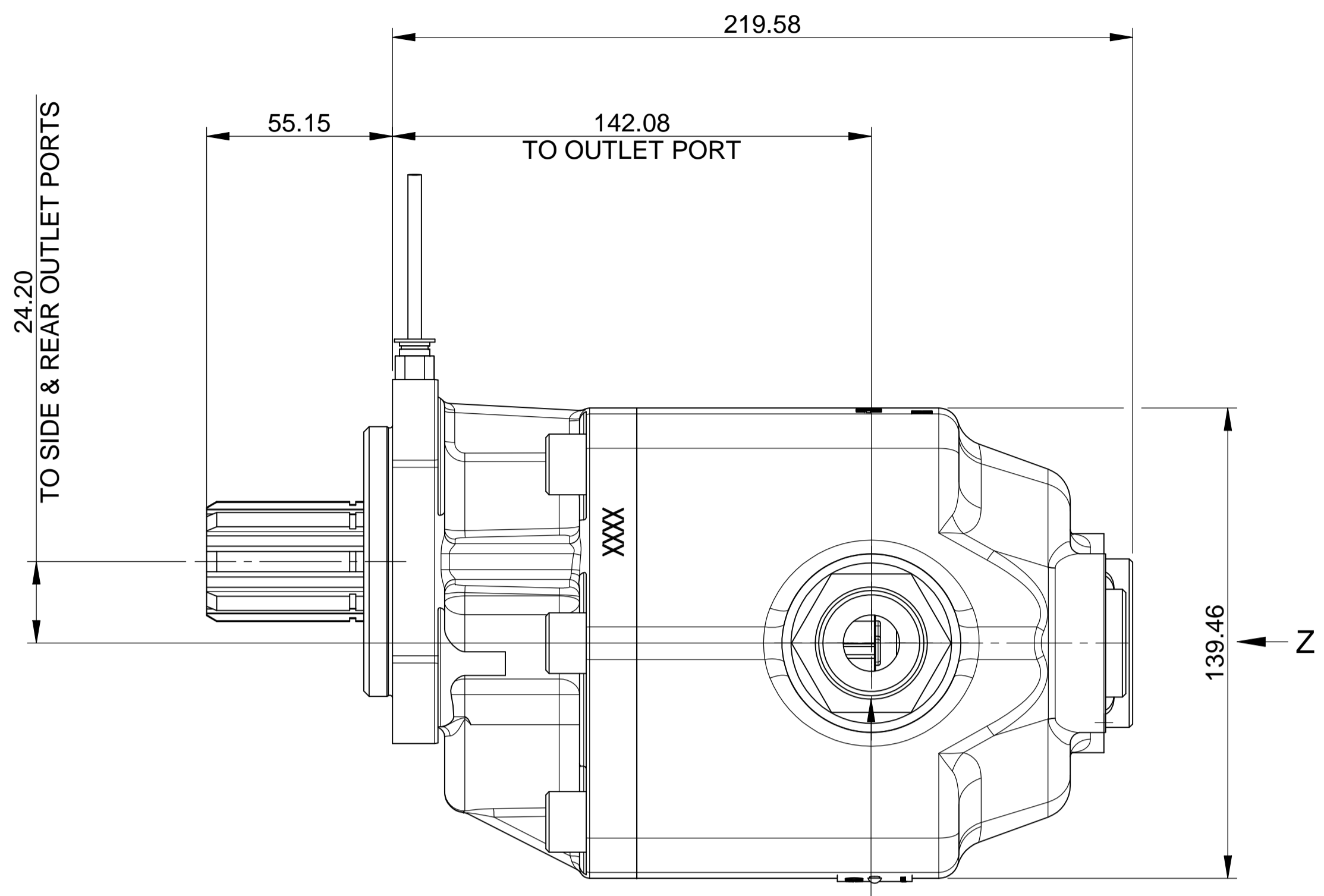
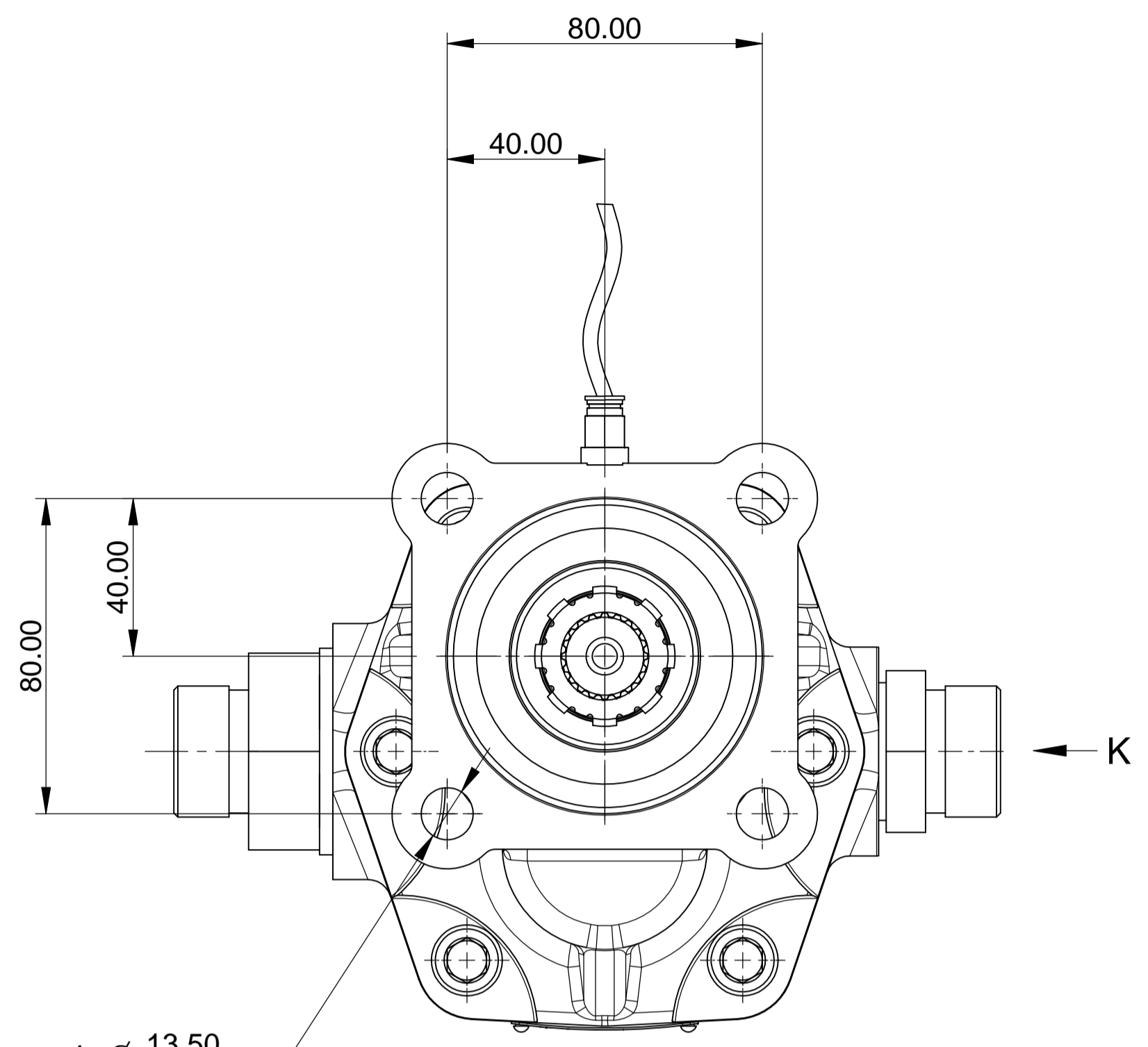
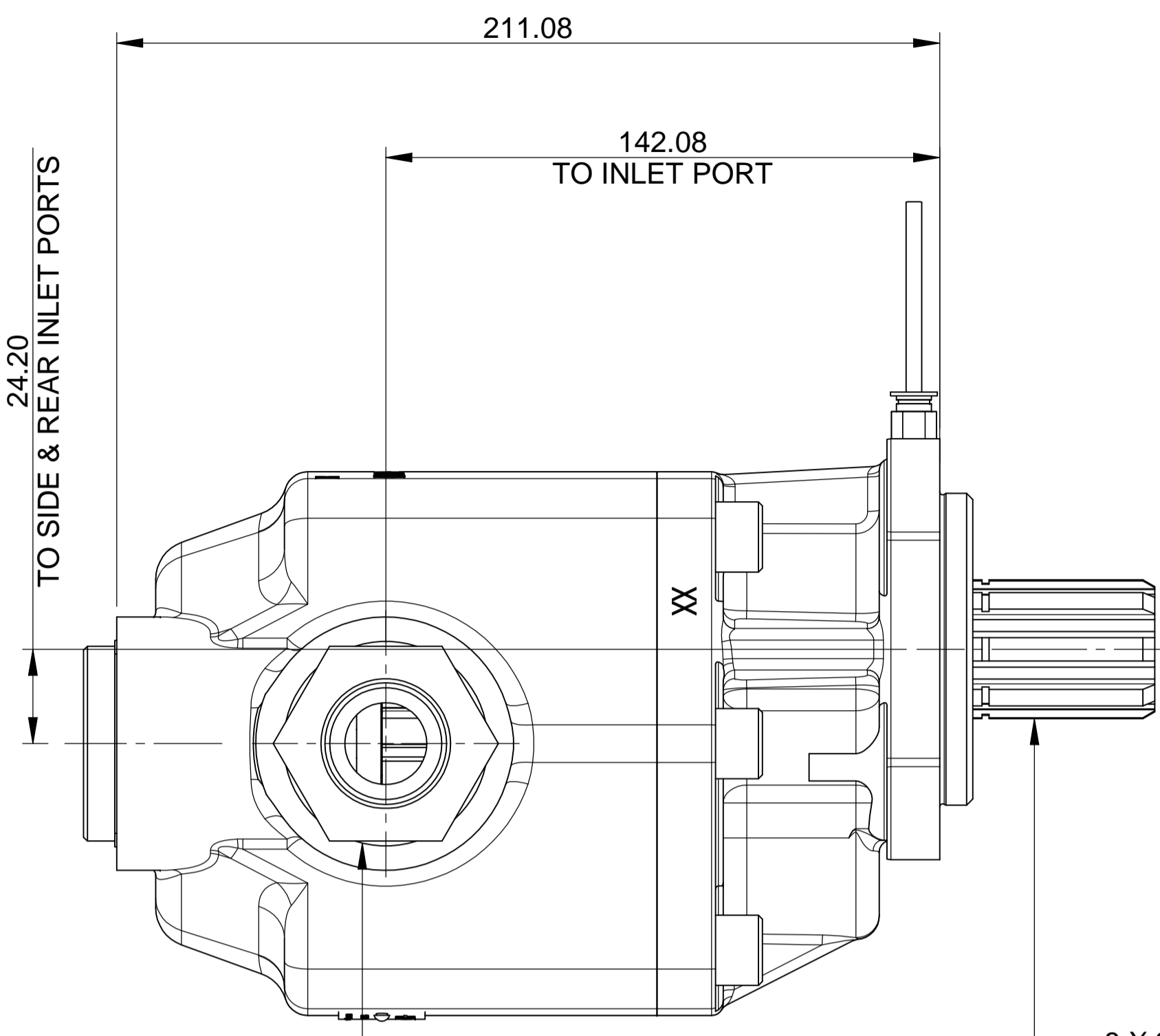


STANDARDS REQUIRED		
STANDARD	TITLE	QTY

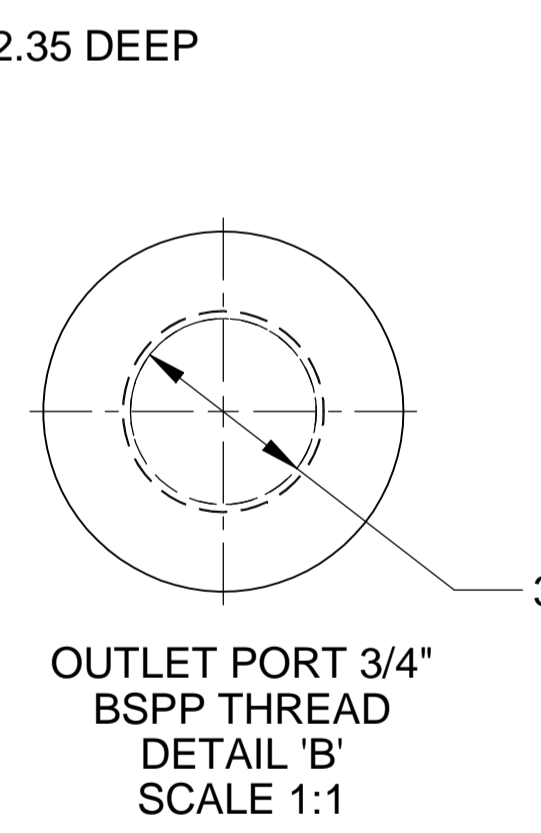
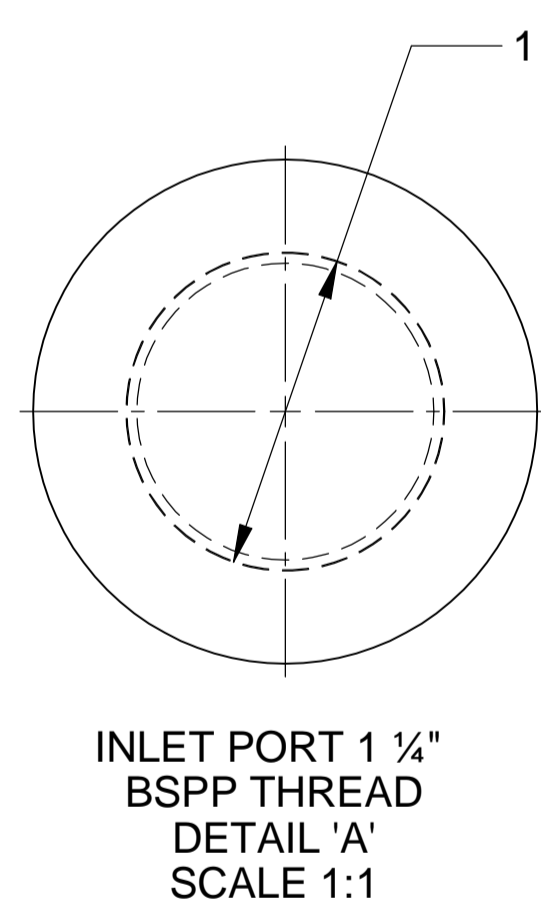


8 X 32 X 36 TO ISO 7653
MAJOR DIA 35.69/35.53

4- Ø 13.50
13.00

OUTLET PORT 3/4"
BSPP THREAD
SEE DETAIL 'B'
FITTED WITH 1" TO 3/4"
BSPP REDUCER

INLET PORT 1 1/4"
BSPP THREAD
SEE DETAIL 'A'.
FITTED WITH 1 1/4" TO 1"
BSPP REDUCER

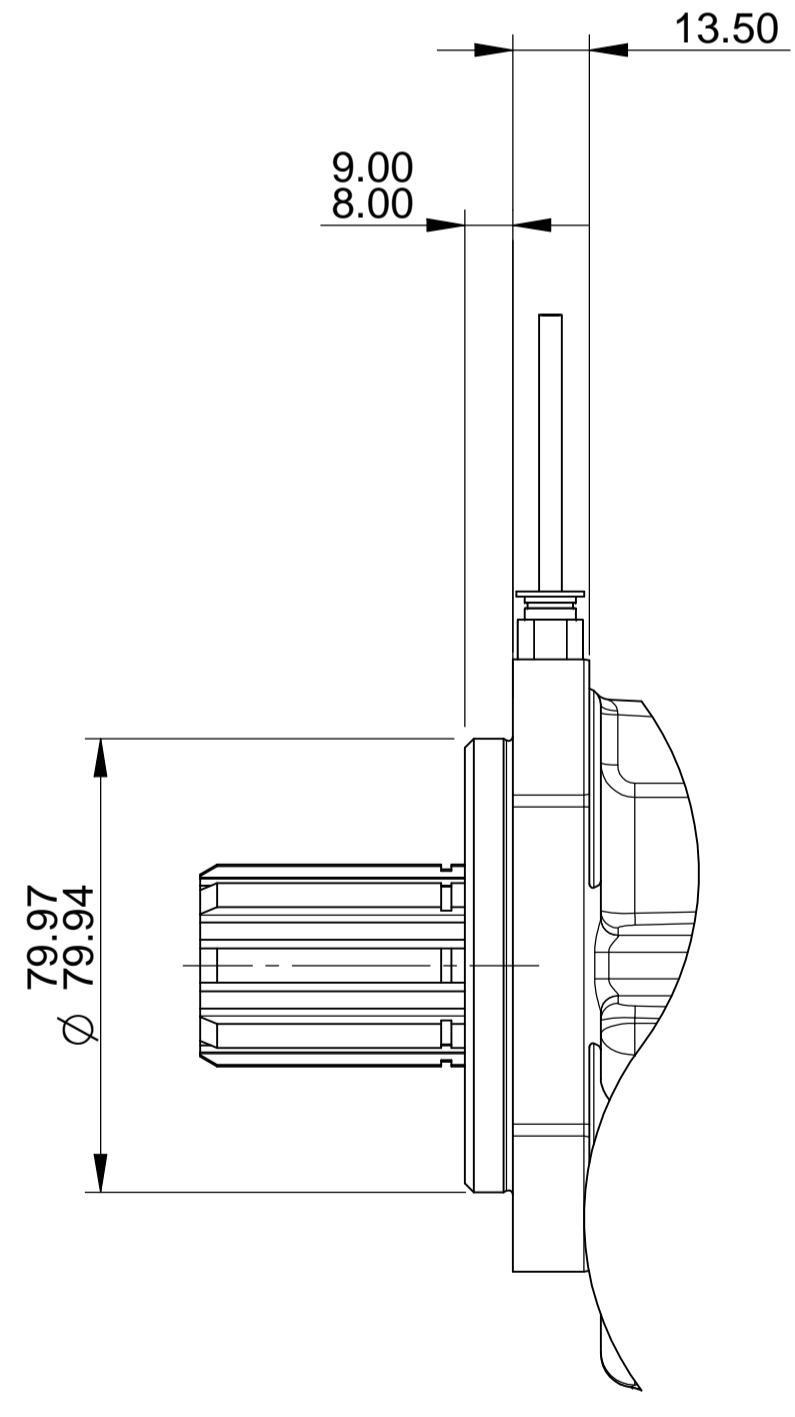


HOSE TAIL
TO SUIT 1" BSPP

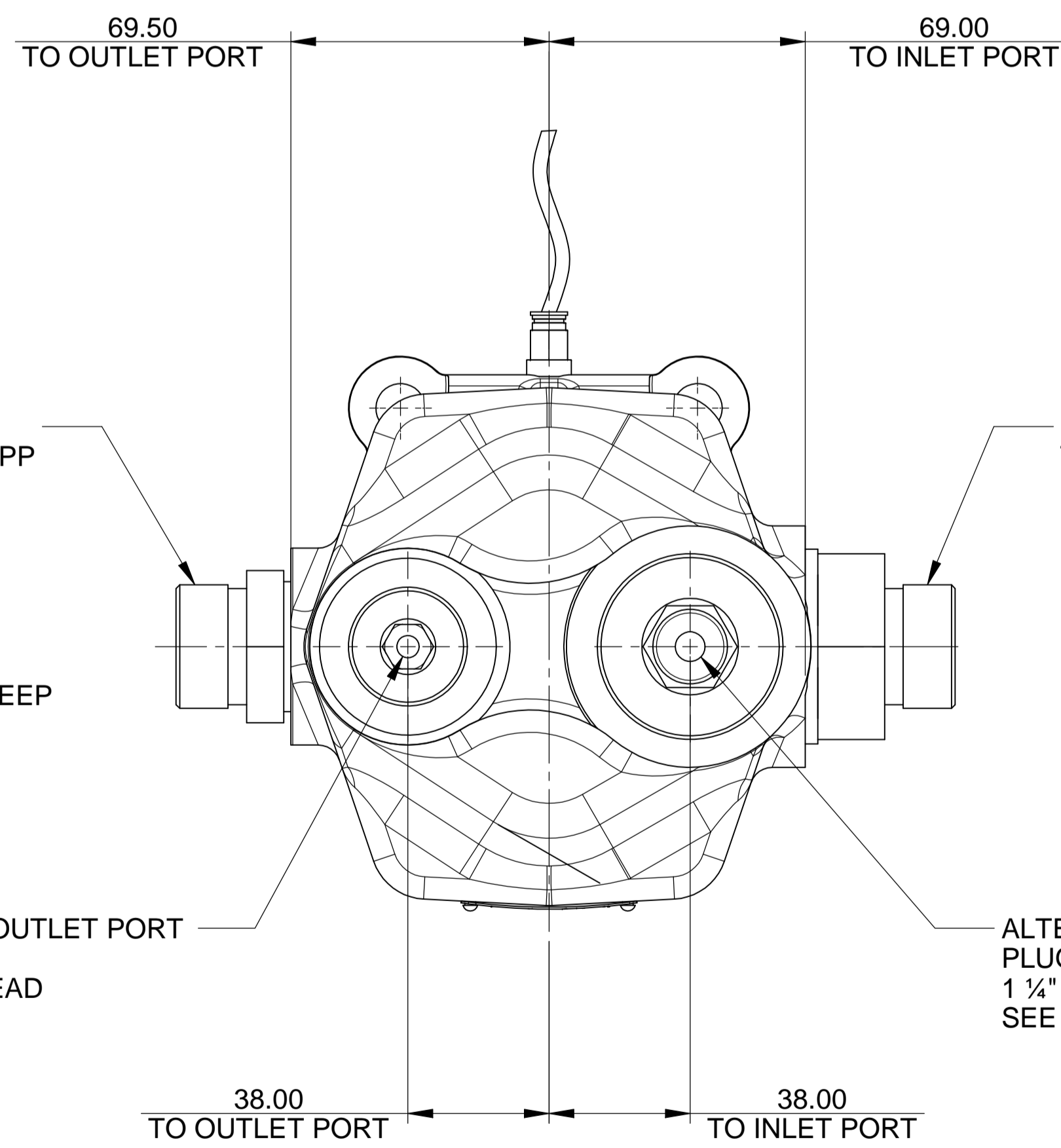
HOSE TAIL
TO SUIT 1" BSPP

ALTERNATIVE OUTLET PORT
PLUGGED
3/4" BSPP THREAD
SEE DETAIL 'B'

ALTERNATIVE INLET PORT
PLUGGED
1 1/4" BSPP THREAD
SEE DETAIL 'A'



PART VIEW K



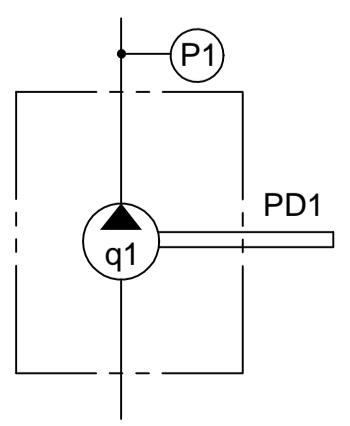
VIEW Z

MODEL 211901	DISPLACEMENT CM ³ /REV	SPEED (RPM)		PRESSURE (BAR)	
		RATED	PEAK	RATED	PEAK
PUMP 0900	90	2000	2500	250	280

P* D = PRESSURE * DISPLACEMENT = TORQUE LIMIT

P* = OUTLET PRESSURE BAR
q* = PUMP DISPLACEMENT CC/REV

PD1 = P1 q1 <= 18200



GEOMETRIC TOLERANCE SYMBOLS	
	CONCENTRICITY
	SYMMETRY
	STRAIGHTNESS
	FLATNESS
	ROUNDNESS
	CYLINDRICITY
	PROFILE OF A LINE
	PROFILE OF A SURFACE
	ANGULARITY
	SQUARENESS
	PARALLELISM
	POSITION
	RUN OUT
	DATUM

DO NOT SCALE DRAWING - IF IN DOUBT ASK

© AND DESIGN RIGHT DAVID BROWN HYDRAULICS LIMITED. ALL RIGHTS RESERVED AND ASSERTED. WITHOUT THE PRIOR WRITTEN PERMISSION OF DAVID BROWN HYDRAULICS LIMITED NO PART OF THIS DOCUMENT MAY BE ALTERED, ADAPTED, PUBLISHED, REPRODUCED OR TRANSMITTED IN ANY FORM OR MEDIUM, IF PERMISSION IS GIVEN ANY COPYRIGHT, DESIGN RIGHTS OR SIMILAR RIGHTS IN ANY ALTERATIONS OR ADAPTATIONS WILL BELONG TO DAVID BROWN HYDRAULICS LIMITED AND THIS NOTICE MUST BE INCLUDED PROMINENTLY WHENEVER ANY PART OF THIS DOCUMENT IS PUBLISHED, REPRODUCED OR TRANSMITTED.

DESCRIPTION	
DRN	GAK 22.04.14
CHK	JAS 08.05.14
APPD	PG 08.05.14
ISSUE	
ZONE	
ECN	
CATEGORY	
DATE	
BY	
CHK	

WPC41090-211901-3C	
MATERIAL	-
TREATMENT	-
PROJECT REFERENCE	-
PRODUCT TYPE	Gear Pump - World Pump

DAVID BROWN HYDRAULICS	
POOLE - DORSET - ENGLAND	
SCALE	3:4
DRAWING SIZE	A1
SHEET No	SHT 1 OF 1
PART NUMBER	J211901
ISSUE	C

