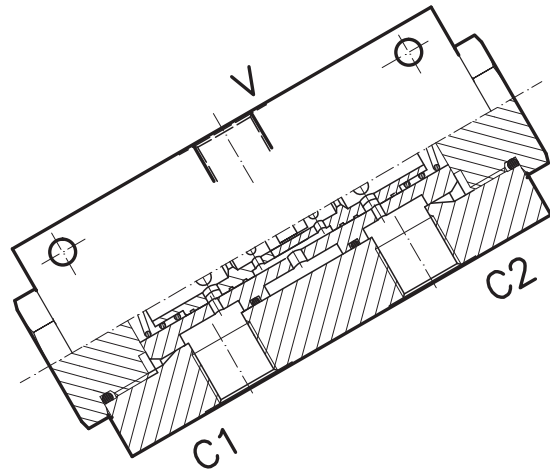
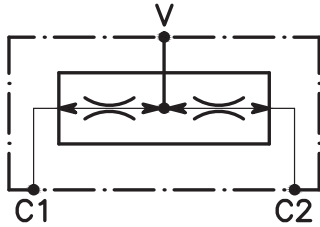


ZAWORY LINIOWE DZIELNIKI STRUMIENIA ZAWOROWE

VDF-...-...

VALVOLA DIVISORE/RIUNIFICATORE DI FLUSSO
FLOW DIVIDER/COMBINER

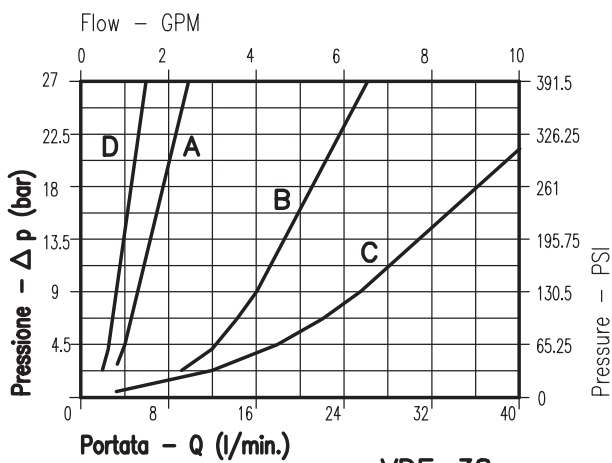


CARATTERISTICHE

Rapporto di flusso	50%
Portata min/max	Vedi pag. 44
Pressione di lavoro max.	210 bar - 3075 PSI
Temperatura ambiente	-30°C + 50°C
Temperatura olio	-30°C + 80°C
Filtraggio consigliato	50 micron
Peso	0.869 Kg. 3/8" GAS
Peso	0.850 Kg. 1/2" GAS

PERFORMANCE

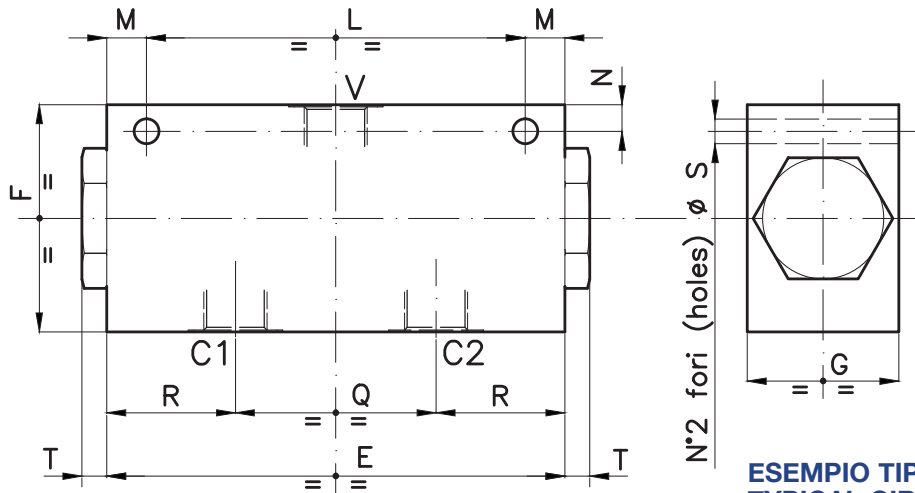
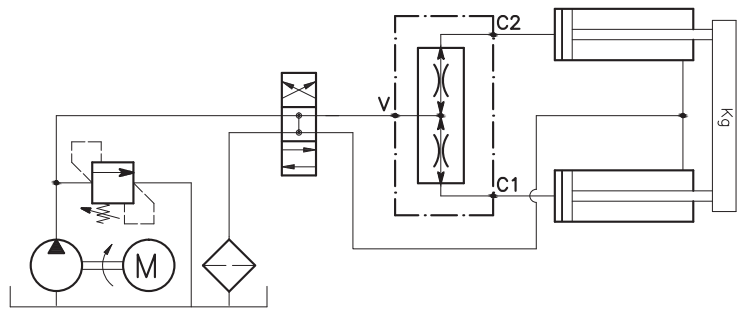
Flow division ratio
Min/max flow-rate
Max working pressure
Room temperature
Oil temperature
Recommended filtration
Weight
Weight



VDF-38
VDF-12

Viscosita' olio 46 cSt a 50° C
Oil viscosity 46 cSt at 50 C

Viscosità olio 46 cSt a 50°C
Oil viscosity 46 cSt at 50°C


**ESEMPIO TIPICO DI CIRCUITO
TYPICAL CIRCUIT EXAMPLE**

**DIMENSIONI
DIMENSIONS**

NUMERO VALVOLA VALVE NUMBER	E	F	G	L	M	N	Q	R	S	T	Attacchi Port size	Attacchi Port size
											V GAS (BSPP)	C1-C2 GAS (BSPP)
008	121	60	40	100	10.5	7	53	34	6.5	7	3/8"	3/8"
009	121	60	40	100	10.5	7	53	34	6.5	7	1/2"	3/8"

**CODICE DI ORDINAZIONE
HOW TO ORDER**

004 008 A 0 0

Numero valvola / Valve number

008

009

 VDF-38 e VDF-12
 Campo di portata consigliato
 Recommended flow rate

A da 6.5 a 11 - 1.7 to 2.9

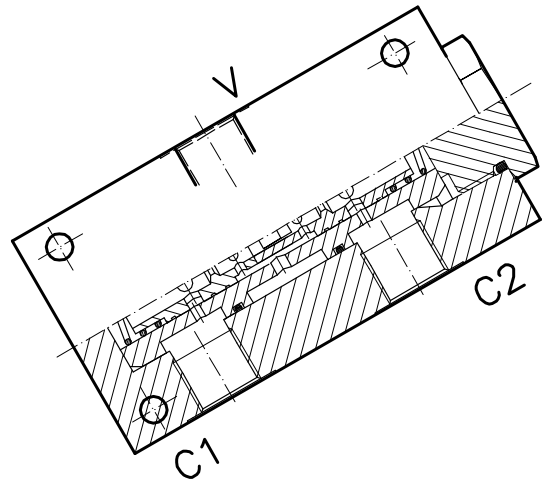
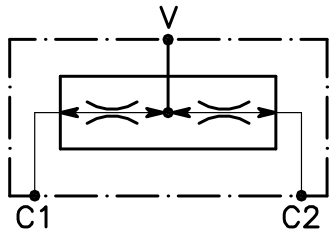
B da 13 a 22 - 3.4 to 5.8

C da 25 a 38 - 6.6 to 10

D da 2 a 6 - 0.5 to 1.6

VDF-...-...

VALVOLA DIVISORE/RIUNIFICATORE DI FLUSSO
FLOW DIVIDER/COMBINER

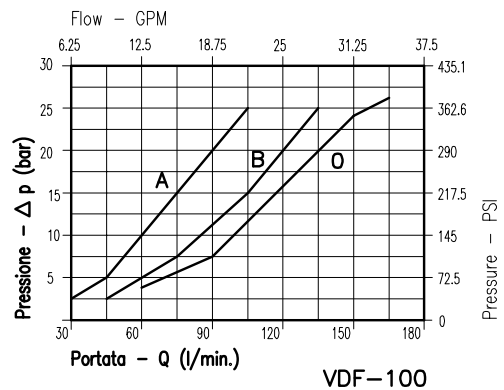
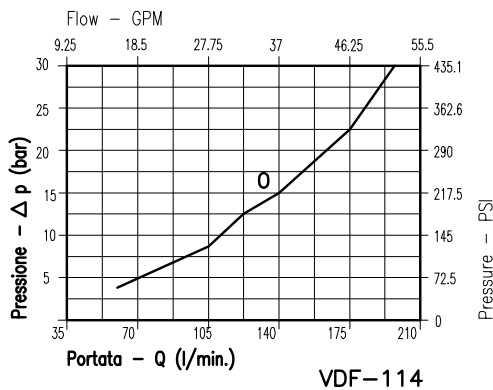
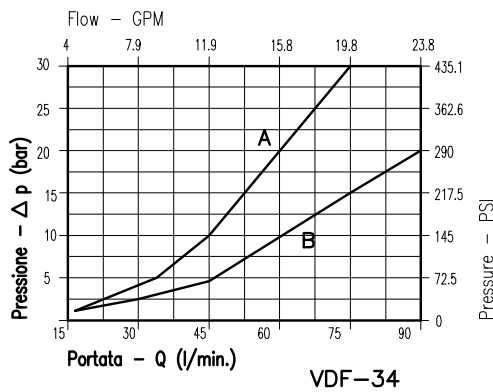


CARATTERISTICHE

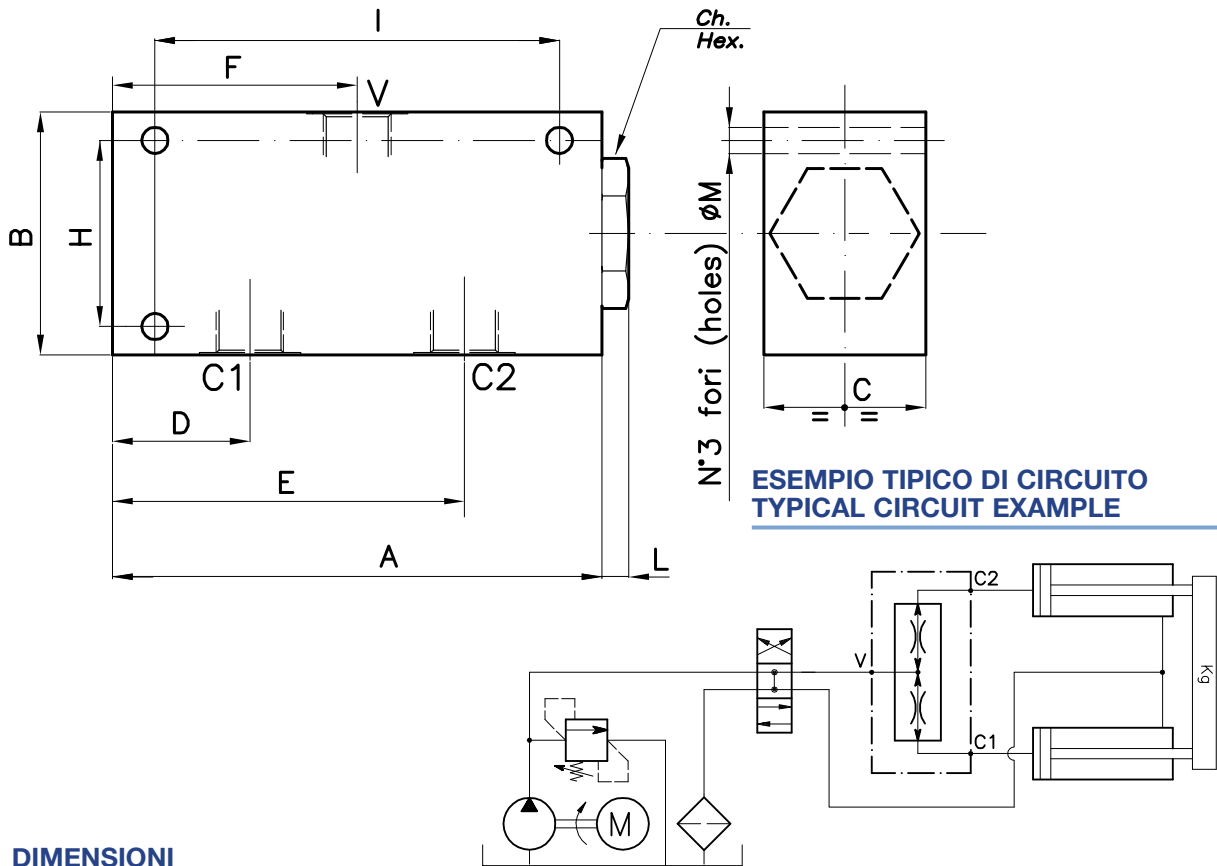
Rapporto di flusso	50%
Portata min/max	Vedi pag. 02
Pressione di lavoro max.	210 bar - 3075 PSI
Temperatura ambiente	-30°C + 50°C
Temperatura olio	-30°C + 80°C
Filtraggio consigliato	50 micron

PERFORMANCE

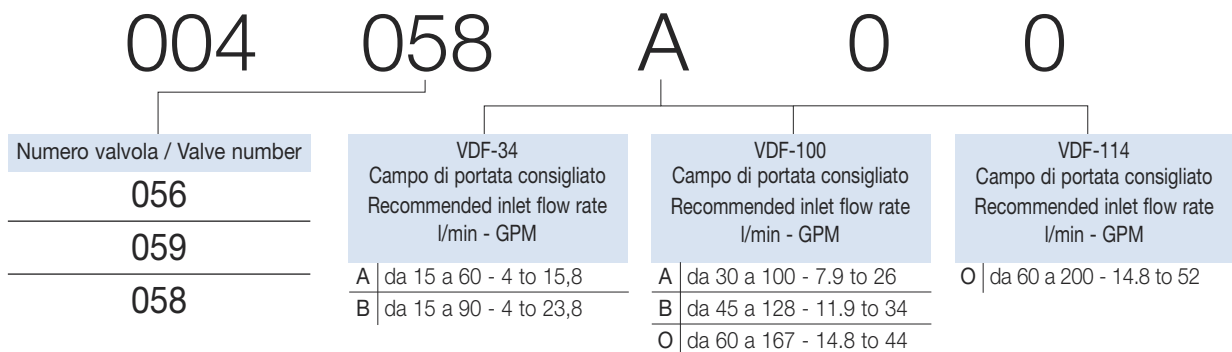
Flow division ratio
Min/max flow-rate
Max working pressure
Room temperature
Oil temperature
Recommended filtration



Viscosità olio 46 cSt a 50°C / Oil viscosity 46 cSt at 50°C


**DIMENSIONI
DIMENSIONS**

NUMERO VALVOLA VALVE NUMBER	A	B	C	D	E	F	H	I	L	M	CH hex	Attacchi Port size V GAS (BSPP)	Attacchi Port size C1-C2 GAS (BSPP)
056	120	80	40	42	90	66	60	102	9.5	6.5	32	3/4"	1/2"
059	120	100	50	37	95	66	82	102	12	8.5	38	1"	3/4"
058	120	120	60	37	95	66	82	102	12	8.5	38	1-1/4"	1"

**CODICE DI ORDINAZIONE
HOW TO ORDER**


CENTRALA ELBLĄG

ul. Rawska 19B
82-300 Elbląg

tel. /+48/ 55 625 51 00

fax /+48/ 55 625 51 01

Dział Handlowy

tel. /+48/ 55 625 51 51

elblag@hydropress.pl



www.hydropress.pl

ODDZIAŁ GDAŃSK

tel. /+48/ 55 625 51 21

fax /+48/ 55 625 51 22

ODDZIAŁ RUMIA

tel. /+48/ 58 679 34 15

fax /+48/ 55 625 51 25

ODDZIAŁ TYCHY

tel. /+48/ 32 787 52 88

fax /+48/ 55 625 51 38

ODDZIAŁ OLSZTYN

tel. /+48/ 89 532 01 05

fax /+48/ 89 715 21 42

ODDZIAŁ WARSZAWA

tel. /+48/ 22 468 86 97

fax /+48/ 55 625 51 32

BIURO WE WROCŁAWIU

tel. /+48/ 782 838 000

fax /+48/ 55 625 51 35

BIURO W KIELCACH

tel. /+48/ 885 995 501

fax /+48/ 55 625 51 01

BIURO W KRAKOWIE

tel. /+48/ 885 995 019

fax /+48/ 55 625 51 01

BIURO W OPOLU

tel. /+48/ 885 995 011

fax /+48/ 55 625 51 01

BIURO W BYDGOSZCZY

tel. /+48/ 790 222 771

fax /+48/ 55 625 51 01

BIURO W BIAŁYMSTOKU

tel. /+48/ 89 532 01 05

fax /+48/ 89 715 21 42

BIURO W ŁODZI

tel. /+48/ 609 221 421

fax /+48/ 89 715 21 42