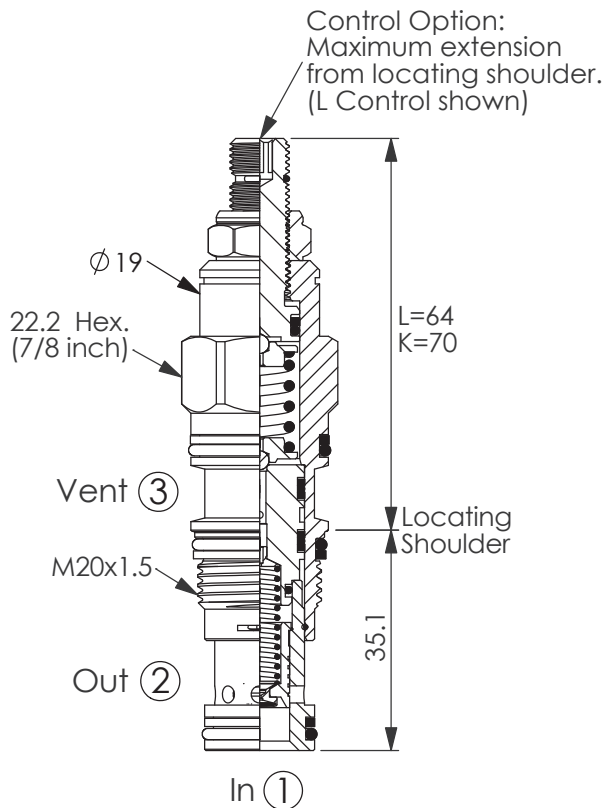


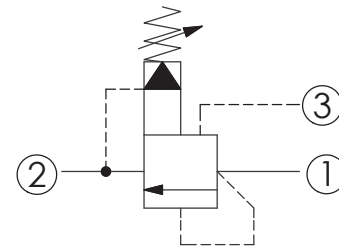


ZAWORY PRZELEWOWE 3-DROGOWE

Ordering Code: **RV-11A-X-Y-Z**



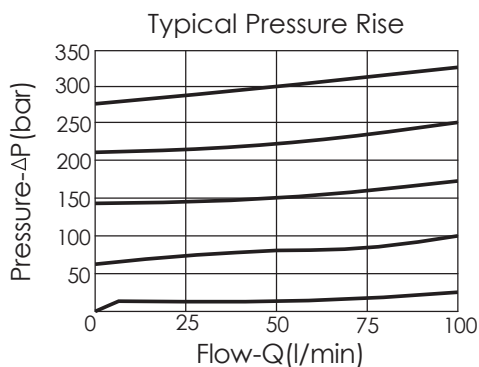
UNIT:mm



TECHNICAL DATA

Max. Setting:	420	bar
Rated flow:	60	l/min
Cavity-Tooling:	11A-3	
Installation torque:	40-50	Nm
Weight:	0.15 (Z:L)	kg

Will accept maximum pressure at port 2; suitable for use in cross port relief circuits. If used in cross port relief circuits, consider pool leakage.



X

OPERATION

30

Standard Type

- Response Time-Typical (10 ms)
- Maximum Leakage (33 cc/min./70 bar) (46 cSt, 40°C)

Y

SPRINGS

ADJUSTMENT RANGES

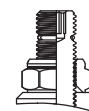
A	7-210 bar (70 bar Standard Setting)	
B	3.5-105 bar (70 bar Standard Setting)	
C	10.5-420 bar (70 bar Standard Setting)	
D	1.7-55 bar (28 bar Standard Setting)	
E	1.7-28 bar (14 bar Standard Setting)	
H	2-210 bar (70 bar Standard Setting)	
W	10.5-315 bar (70 bar Standard Setting)	

Z

OPTIONS

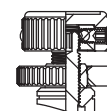
L

Leakproof hex. socket screw.



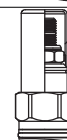
K

Handknob with Lock Knob.

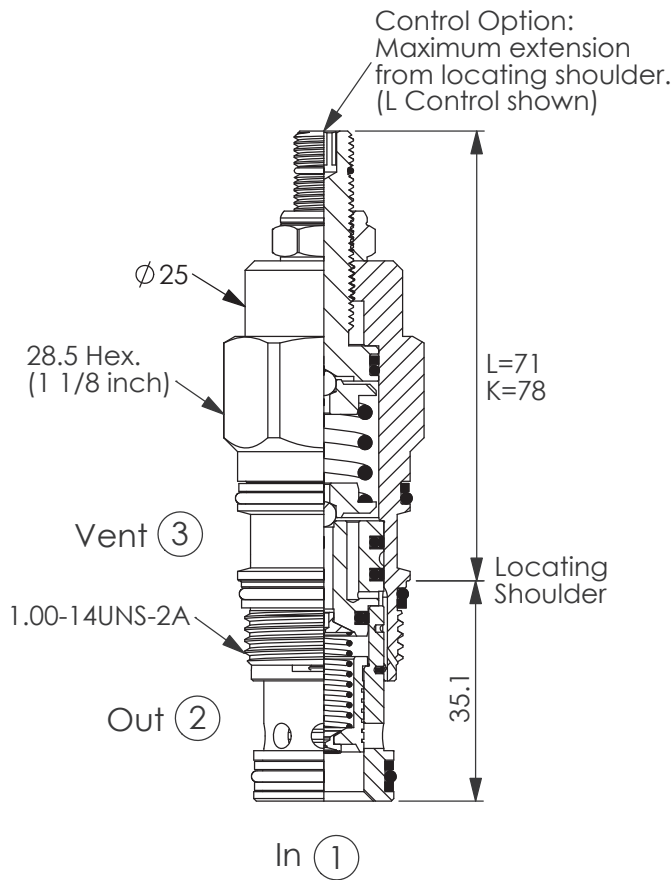


C

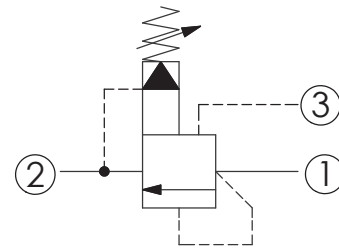
Stainless Steel Tamper Resistant Cover.



Ordering Code: **RV-2A-X-Y-Z**



UNIT:mm



TECHNICAL DATA

Max.Operating pressure: 350 bar

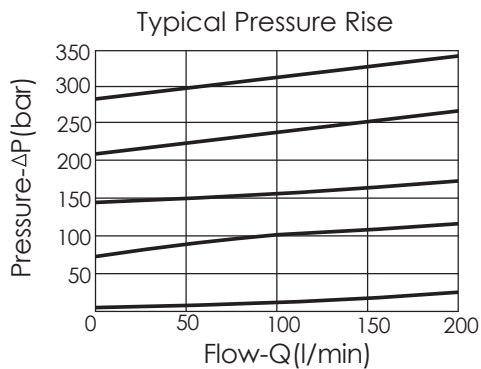
Rated flow: 120 l/min

Cavity-Tooling: 2A-3

Installation torque: 60-70 Nm

Weight: 0.28 kg

Will accept maximum pressure at port 2; suitable for use in cross port relief circuits. If used in cross port relief circuits, consider spool leakage.



X OPERATION

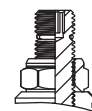
30 Standard Type

Response Time-Typical (10 ms)
Maximum Leakage (50 cc/min./70 bar)

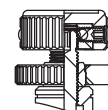
Y	SPRINGS	
	ADJUSTMENT RANGES	
A	7 to 210 bar	(70 bar Standard Setting)
B	3.5 to 105 bar	(70 bar Standard Setting)
C	10.5 to 420 bar	(70 bar Standard Setting)
D	1.7 to 55 bar	(28 bar Standard Setting)
E	1.7 to 28 bar	(14 bar Standard Setting)
H	2 to 210 bar	(70 bar Standard Setting)
W	10.5 to 315 bar	(70 bar Standard Setting)

Z OPTIONS

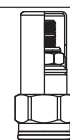
L Leakproof hex. socket screw.

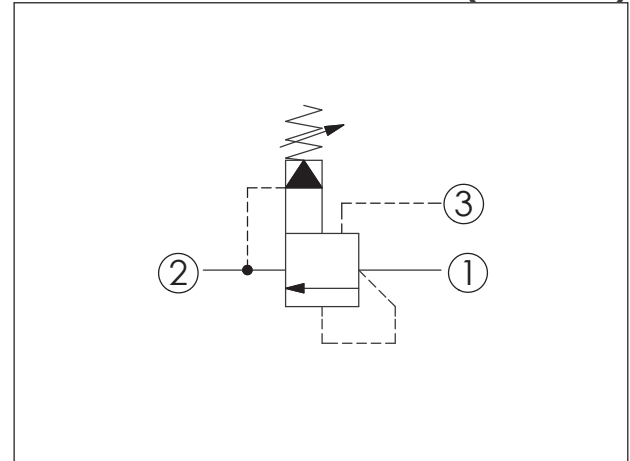
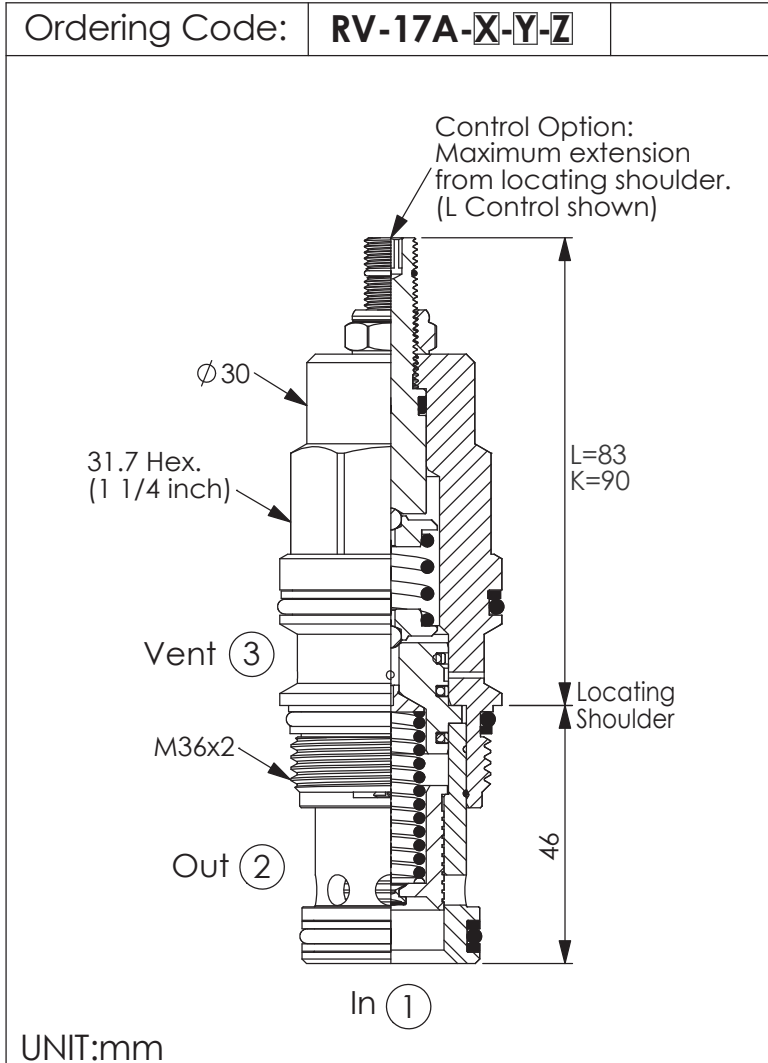


K Handknob with Lock Knob.

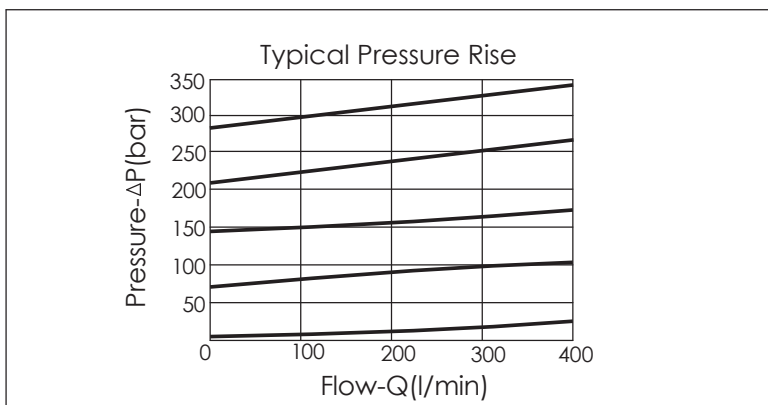


C Stainless Steel Tamper Resistant Cover.





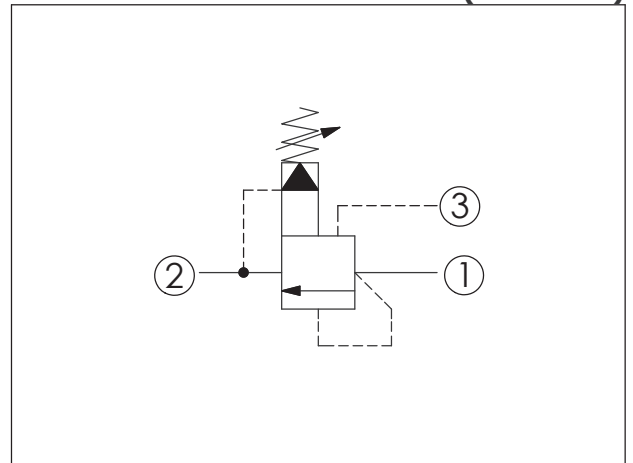
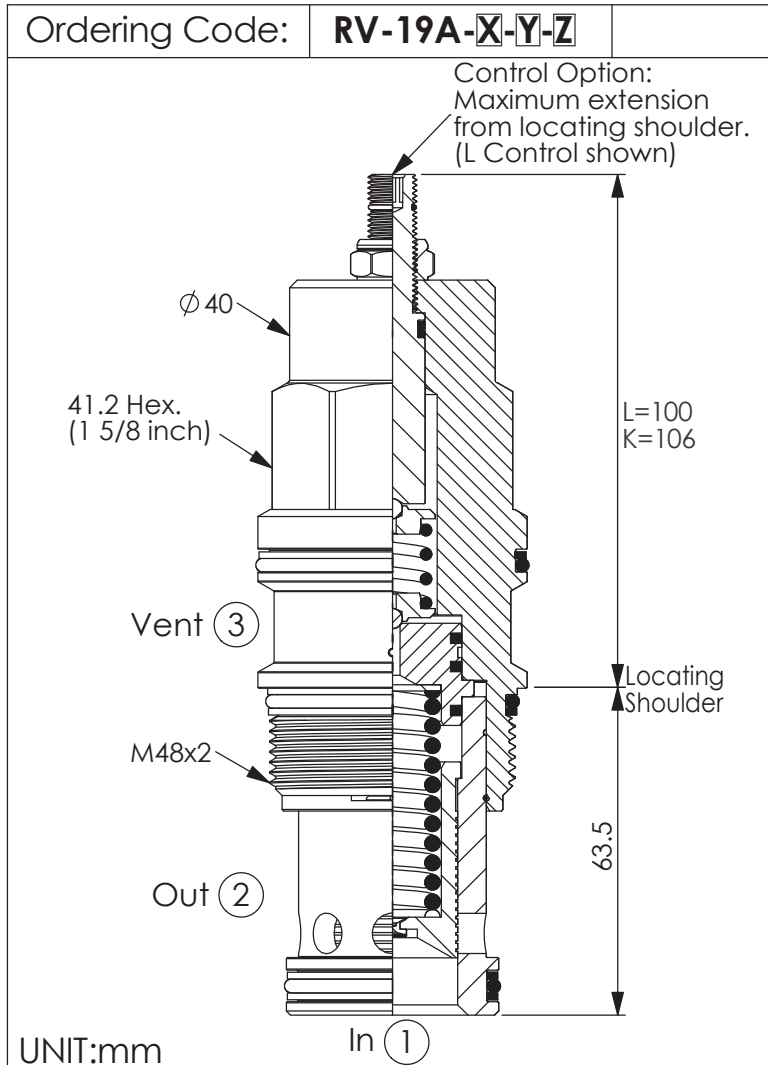
TECHNICAL DATA	
Max.Operating pressure:	350 bar
Rated flow:	240 l/min
Cavity-Tooling:	17A-3
Installation torque:	200-215 Nm
Weight:	0.61 kg
Will accept maximum pressure at port 2; suitable for use in cross port relief circuits. If used in cross port relief circuits, consider spool leakage.	



X	OPERATION
30	Standard Type
Response Time-Typical (10 ms) Maximum Leakage (66 cc/min./70 bar)	

Y	SPRINGS	
	ADJUSTMENT RANGES	
A	7 to 210 bar	(70 bar Standard Setting)
B	3.5 to 105 bar	(70 bar Standard Setting)
C	10.5 to 420 bar	(70 bar Standard Setting)
D	1.7 to 55 bar	(28 bar Standard Setting)
E	1.7 to 28 bar	(14 bar Standard Setting)
H	2 to 210 bar	(70 bar Standard Setting)
W	10.5 to 315 bar	(70 bar Standard Setting)

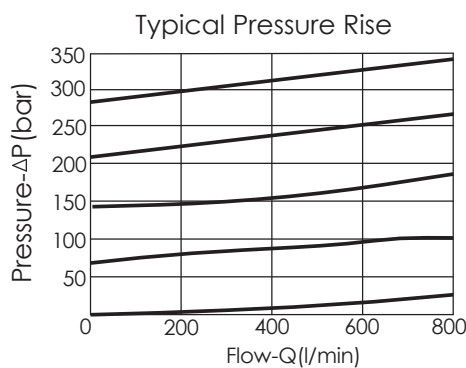
Z	OPTIONS	
L	Leakproof hex. socket screw.	
K	Handknob with Lock Knob.	
C	Stainless Steel Tamper Resistant Cover.	



TECHNICAL DATA

Max.Operating pressure:	350	bar
Rated flow:	480	l/min
Cavity-Tooling:	19A-3	
Installation torque:	465-500	Nm
Weight:	1.43	kg

Will accept maximum pressure at port 2; suitable for use in cross port relief circuits. If used in cross port relief circuits, consider spool leakage.



X	OPERATION
30	Standard Type

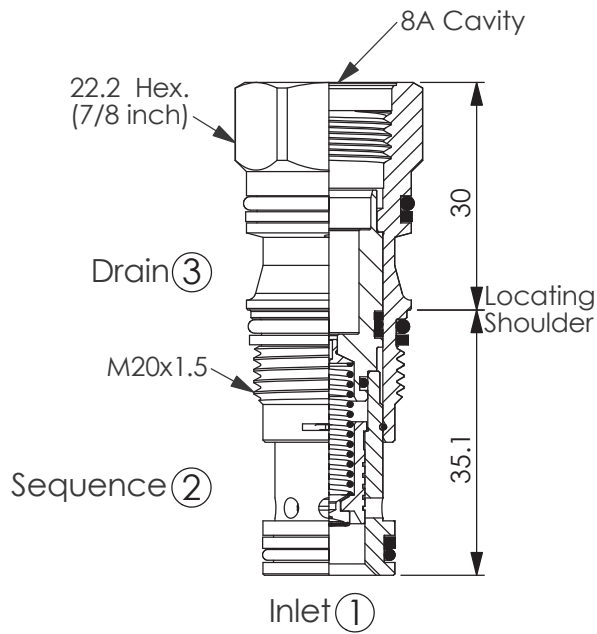
Response Time-Typical (10 ms)
Maximum Leakage (82 cc/min./70 bar)

Y	SPRINGS	
	ADJUSTMENT RANGES	
A	7 to 210 bar	(70 bar Standard Setting)
B	3.5 to 105 bar	(70 bar Standard Setting)
C	10.5 to 420 bar	(70 bar Standard Setting)
D	1.7 to 55 bar	(28 bar Standard Setting)
E	1.7 to 28 bar	(14 bar Standard Setting)
H	2 to 210 bar	(70 bar Standard Setting)
W	10.5 to 315 bar	(70 bar Standard Setting)

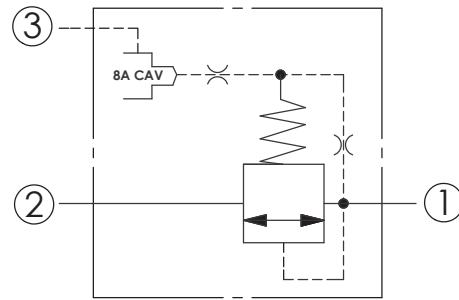
Z	OPTIONS	
L	Leakproof hex. socket screw.	
K	Handknob with Lock Knob.	
C	Stainless Steel Tamper Resistant Cover.	

(Ventable, balanced piston relief main stage with integral 8A control cavity)

Ordering Code: **RV-11A-X-Y-8**



UNIT:mm



TECHNICAL DATA

Max. Operating pressure: 350 bar

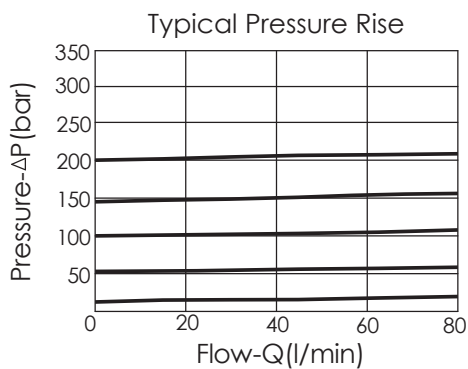
Rated flow: 60 l/min

Cavity-Tooling: 11A-3

Installation torque: 40-50 Nm

Weight: 0.10 kg

Will accept maximum pressure at port 2; suitable for use in cross port relief circuits. If used in cross port relief circuits, consider pool leakage.



X

OPERATION

30

Standard Type

Response Time-Typical (10 ms)
Maximum Leakage (33 cc/min./70 bar)

Y

SPRINGS

MINIMUM CONTROL PRESSURE

D

1.7 bar (25 psi)

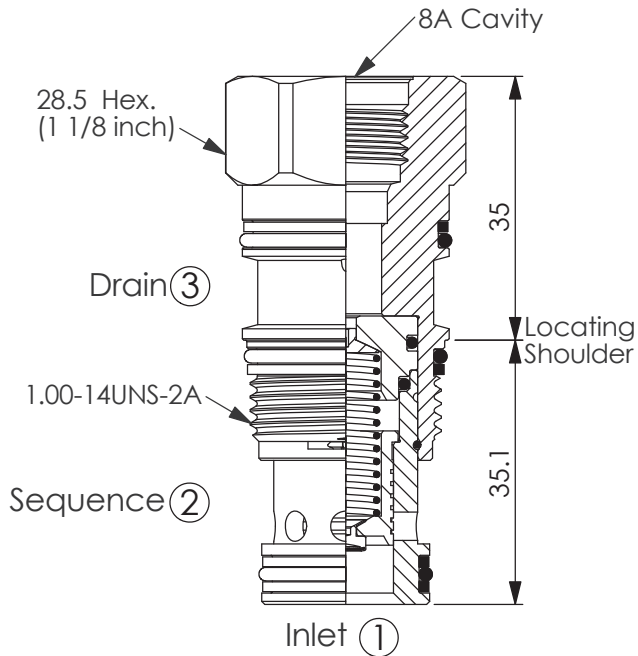
W

7 bar (100 psi)

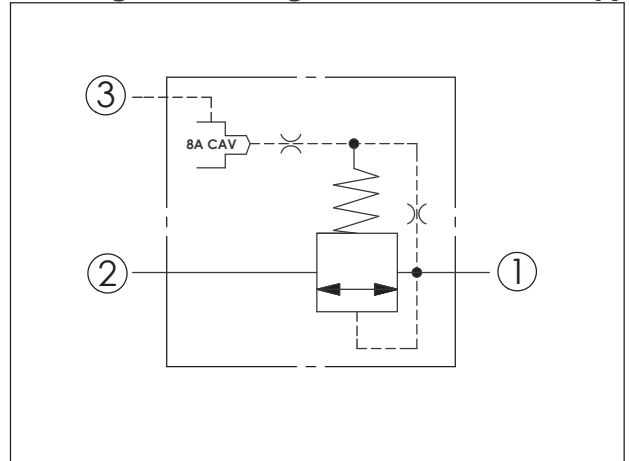
W spring is suit for higher pressure drop application. Please consult our sales department.

(Ventable, balanced piston relief main stage with integral 8A control cavity)

Ordering Code: **RV-2A-X-Y-8**



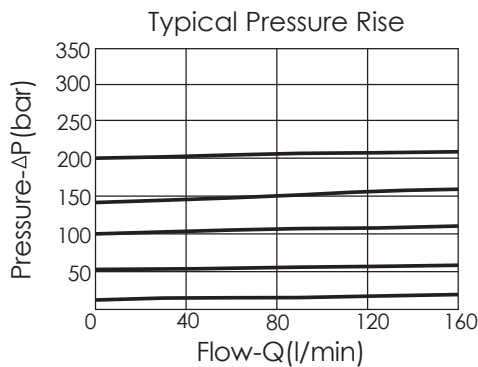
UNIT:mm



TECHNICAL DATA

Max. Operating pressure:	350	bar
Rated flow:	120	l/min
Cavity-Tooling:	2A-3	
Installation torque:	60-70	Nm
Weight:	0.20	kg

Will accept maximum pressure at port 2; suitable for use in cross port relief circuits. If used in cross port relief circuits, consider spool leakage.



X OPERATION

30	Standard Type
Response Time-Typical (10 ms) Maximum Leakage (50 cc/min./70 bar)	

Y

SPRINGS

MINIMUM CONTROL PRESSURE

D

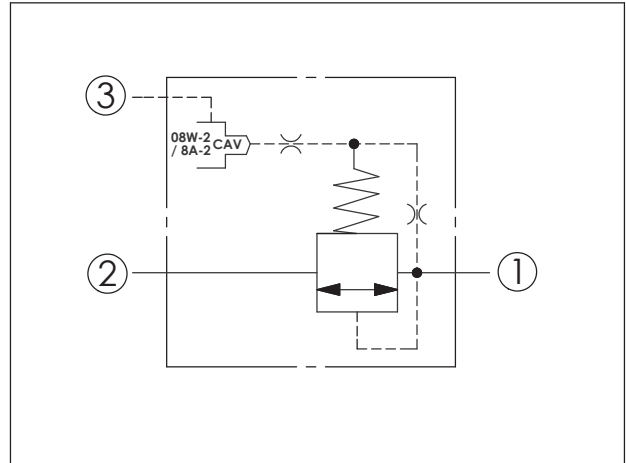
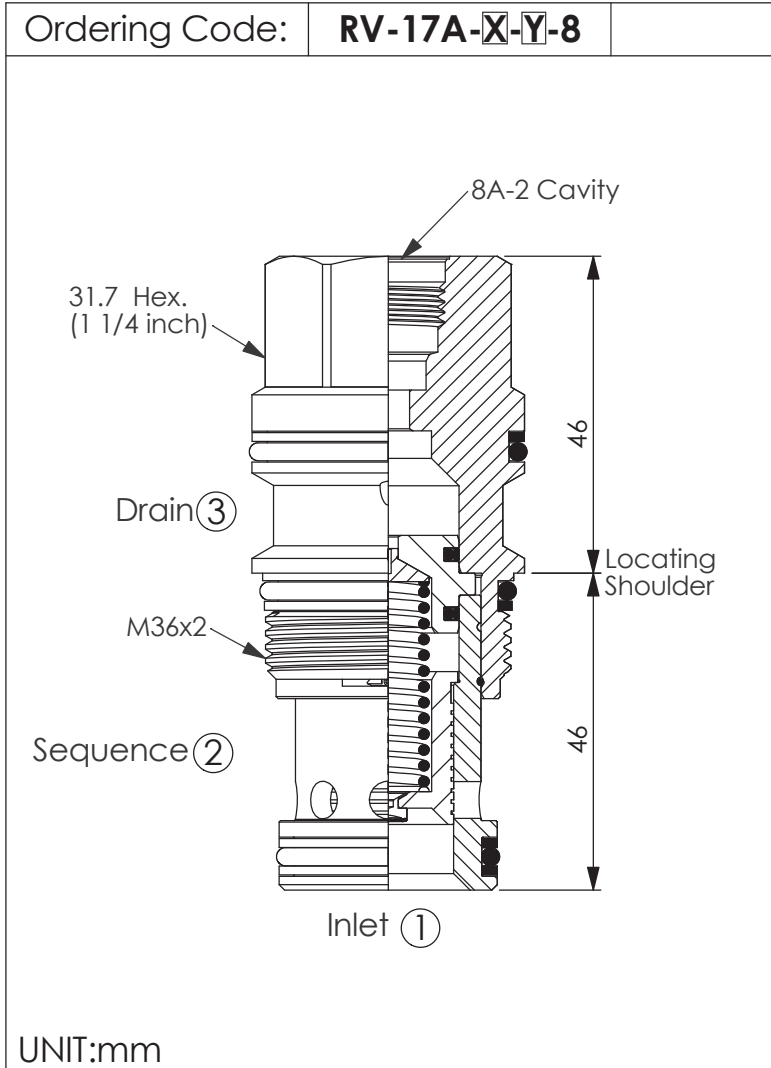
1.7 bar (25 psi)

W

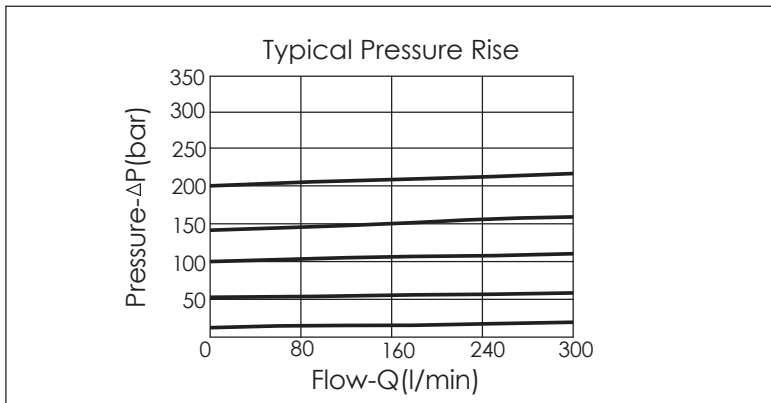
7 bar (100 psi)

W spring is suit for higher pressure drop application. Please consult our sales department.

RELIEF VALVE (Ventable, balanced piston relief main stage with integral 8A control cavity)



TECHNICAL DATA	
Max. Operating pressure:	350 bar
Rated flow:	240 l/min
Cavity-Tooling:	17A-3
Installation torque:	200-215 Nm
Weight:	0.49 kg
Will accept maximum pressure at port 2; suitable for use in cross port relief circuits. If used in cross port relief circuits, consider spool leakage.	



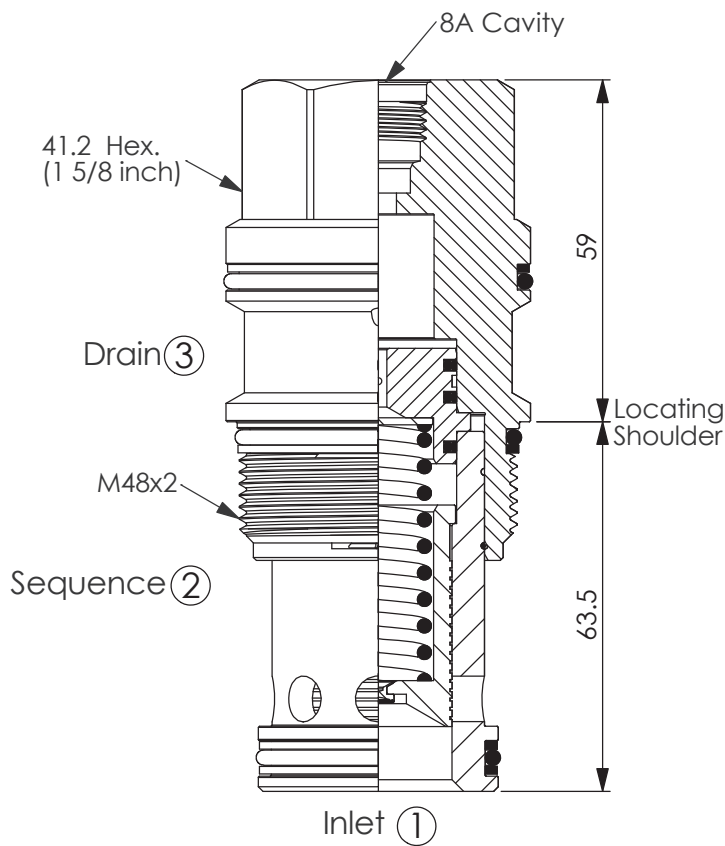
X	OPERATION
30	Standard Type
Response Time-Typical (10 ms) Maximum Leakage (66 cc/min./70 bar)	

Y	SPRINGS
	MINIMUM CONTROL PRESSURE
D	1.7 bar (25 psi)
W	7 bar (100 psi)
	W spring is suit for higher pressure drop application. Please consult our sales department.

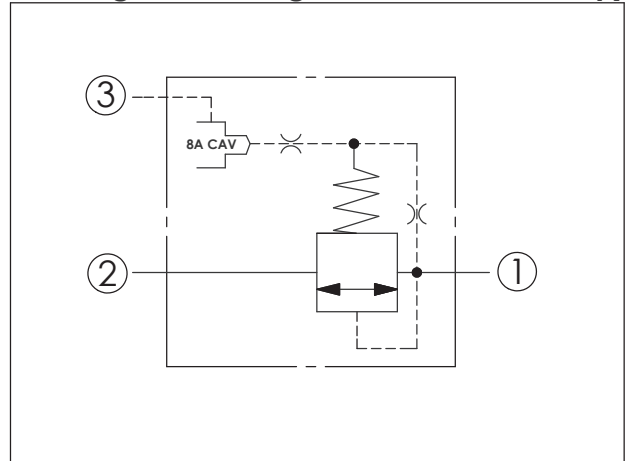
--	--

(Ventable, balanced piston relief main stage with integral 8A control cavity)

Ordering Code: **RV-19A-X-Y-8**



UNIT:mm



TECHNICAL DATA

Max. Operating pressure: 350 bar

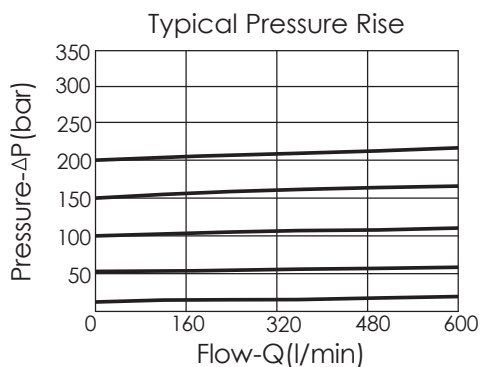
Rated flow: 480 l/min

Cavity-Tooling: 19A-3

Installation torque: 465-500 Nm

Weight: 1.19 kg

Will accept maximum pressure at port 2; suitable for use in cross port relief circuits. If used in cross port relief circuits, consider spool leakage.



X OPERATION

30 Standard Type

Response Time-Typical (10 ms)
Maximum Leakage (82 cc/min./70 bar)

Y

SPRINGS

MINIMUM CONTROL PRESSURE

D

1.7 bar (25 psi)

W

7 bar (100 psi)

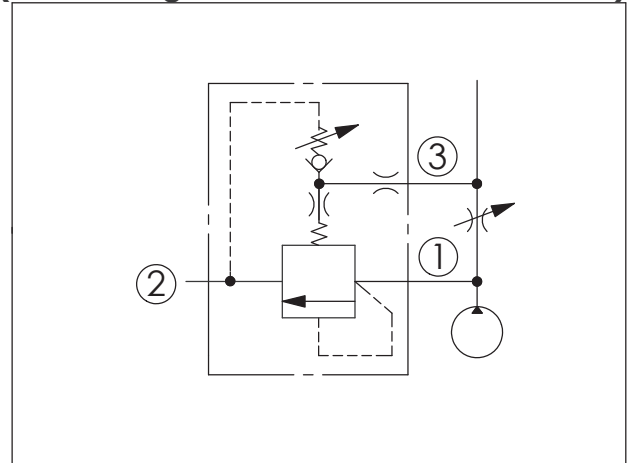
W spring is suit for higher pressure drop application. Please consult our sales department.

RELIEF VALVE

(Modulating Element With Relief Function)

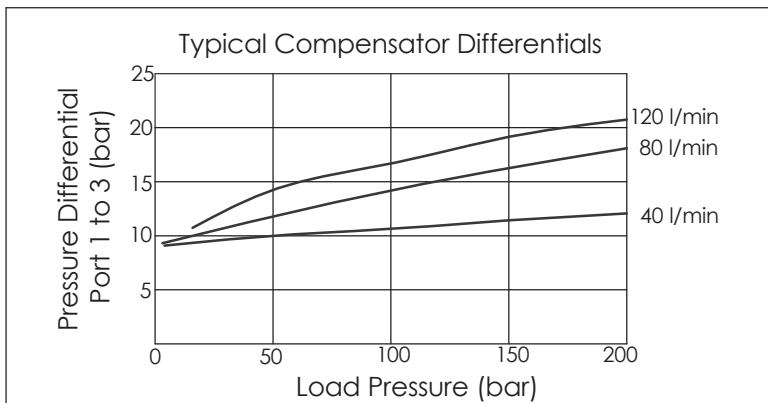
Ordering Code: **RV-11A-X-Y-Z**

UNIT:mm



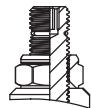
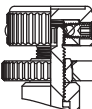

TECHNICAL DATA

Max.Operating pressure:	350	bar
Rated flow:	40	l/min
Cavity-Tooling:	11A-3	
Installation torque:	40-50	Nm
Weight:	0.15	kg



X	OPERATION
3B	Piston Without Orifice Compensating Pressure is 7 bar
Response Time-Typical (10 ms) Maximum Leakage (33 cc/min./70 bar)	

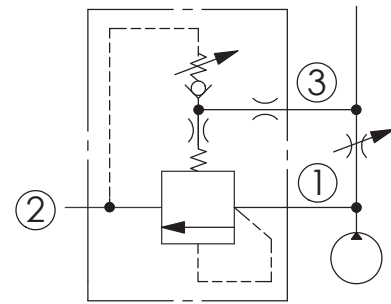
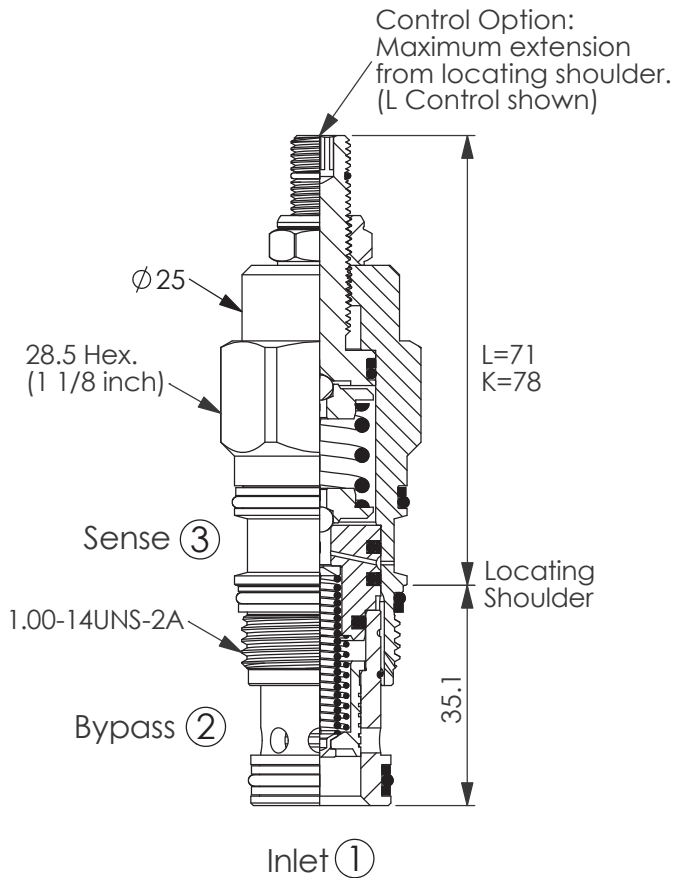
Y	SPRINGS
ADJUSTMENT RANGES	
A	7 to 210 bar (70 bar Standard Setting)
B	3.5 to 105 bar (70 bar Standard Setting)
C	10.5 to 420 bar (70 bar Standard Setting)
W	10.5 to 315 bar (70 bar Standard Setting)

Z	OPTIONS
L	Leakproof hex. socket screw. 
K	Handknob with Lock Knob. 
C	Stainless Steel Tamper Resistant Cover. 

RELIEF VALVE

(Modulating Element With Relief Function)

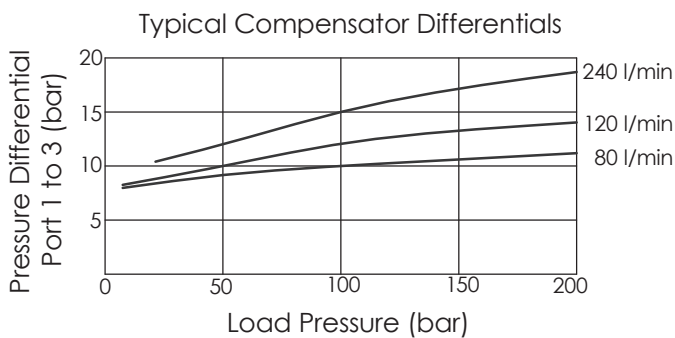
Ordering Code: **RV-2A-X-Y-Z**



TECHNICAL DATA

Max. Operating pressure:	350 bar	
Rated flow:	80	l/min
Cavity-Tooling:	2A-3	
Installation torque:	60-70	Nm
Weight:	0.29	kg

UNIT:mm



X OPERATION

3B Piston Without Orifice
Compensating Pressure is 8 bar

Response Time-Typical (10 ms)
Maximum Leakage (50 cc/min./70 bar)

Y

SPRINGS

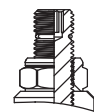
ADJUSTMENT RANGES

A	7 to 210 bar (70 bar Standard Setting)
C	7 to 420 bar (70 bar Standard Setting)
W	7 to 315 bar (70 bar Standard Setting)

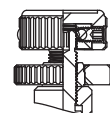
Z

OPTIONS

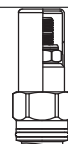
L Leakproof hex. socket screw.



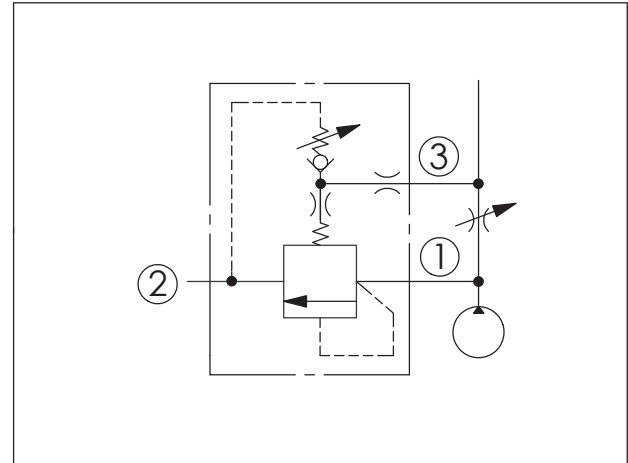
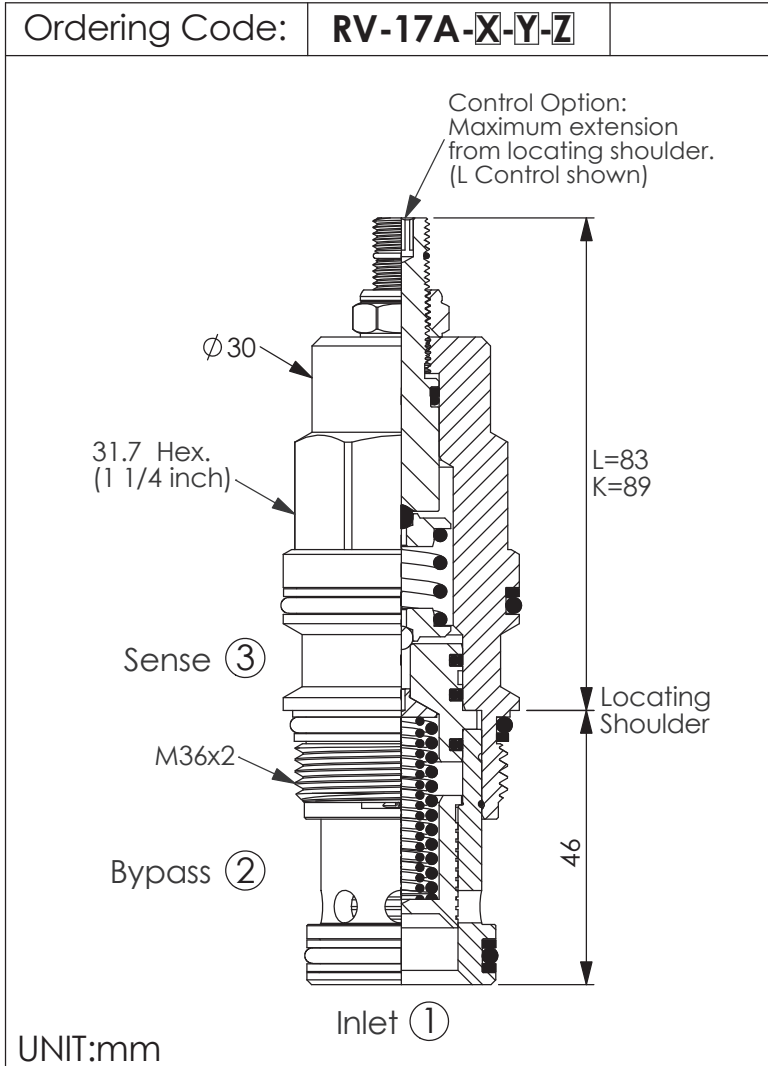
K Handknob with Lock Knob.



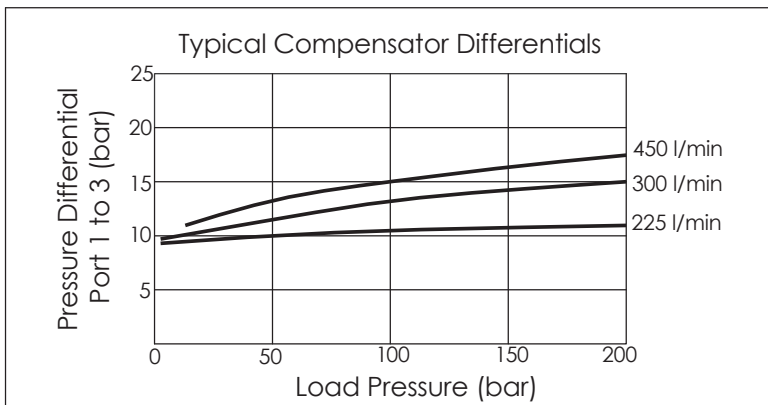
C Stainless Steel Tamper Resistant Cover.



RELIEF VALVE (Modulating Element With Relief Function)



TECHNICAL DATA		
Max. Setting:	420	bar
Rated flow:	160	l/min
Cavity-Tooling:	17A-3	
Installation torque:	200-215	Nm
Weight:	0.62 (Z:L)	kg



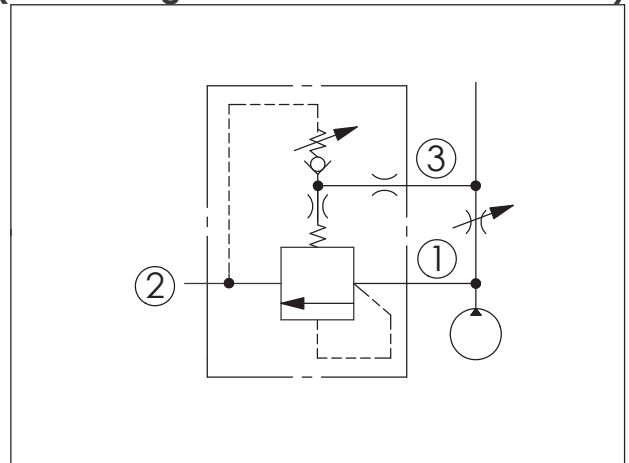
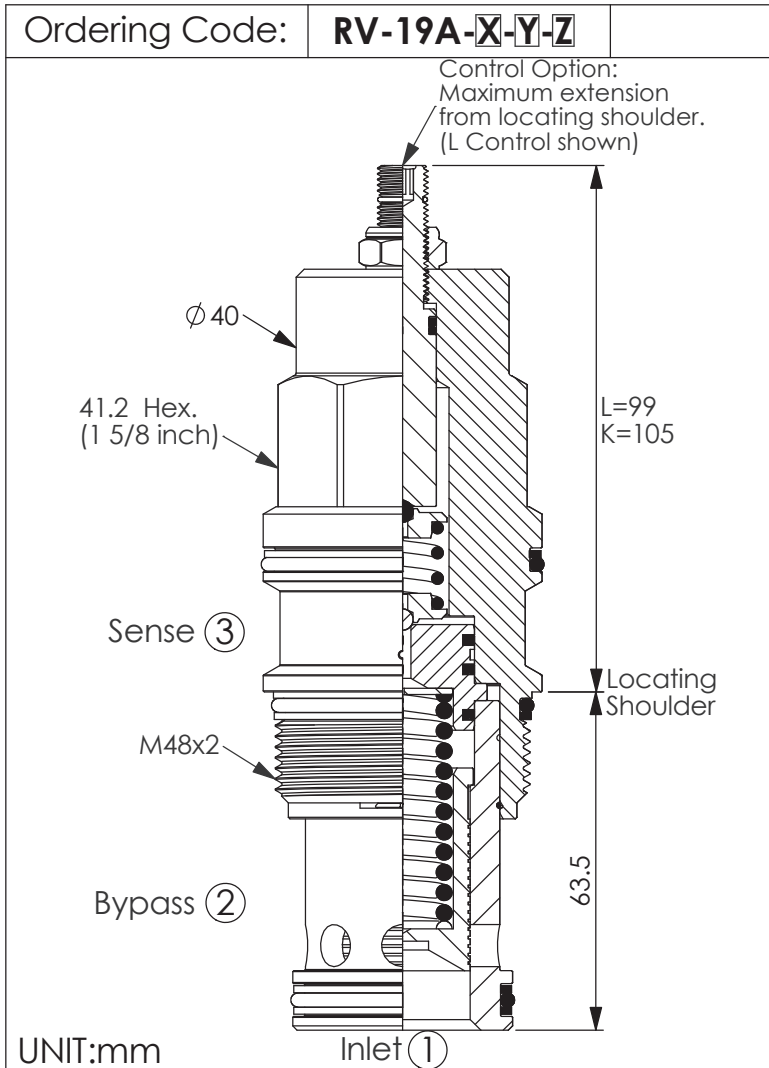
X	OPERATION	
3B	Piston Without Orifice	
	Compensating Pressure is 8 bar	
	<ul style="list-style-type: none"> Response Time-Typical (10 ms) Maximum Leakage (66 cc/min./70 bar) (46 cSt, 40°C) 	

Y	SPRINGS	
	ADJUSTMENT RANGES	
A	7-210 bar	(70 bar Standard Setting)
B	10.5-105 bar	(70 bar Standard Setting)
C	10.5-420 bar	(70 bar Standard Setting)
W	10.5-315 bar	(70 bar Standard Setting)

Z	OPTIONS	
L	Leakproof hex. socket screw.	
K	Handknob with Lock Knob.	
C	Stainless Steel Tamper Resistant Cover.	

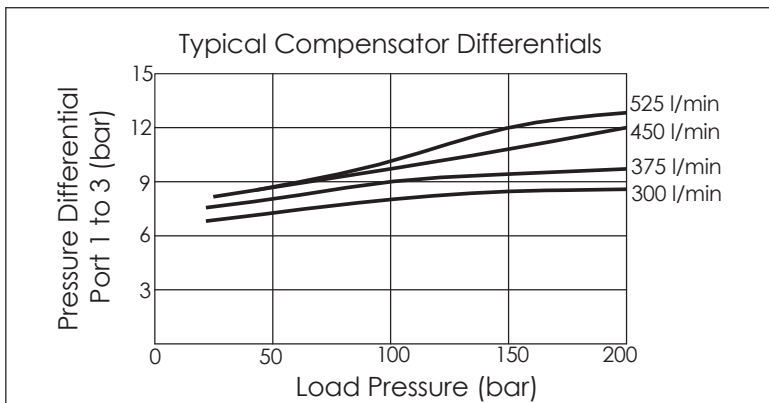
RELIEF VALVE

(Modulating Element With Relief Function)




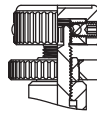

TECHNICAL DATA

Max. Operating pressure:	350	bar
Rated flow:	320	l/min
Cavity-Tooling:	19A-3	
Installation torque:	465-500	Nm
Weight:	1.43	kg



X	OPERATION
3B	Piston Without Orifice Compensating Pressure is 6 bar
Response Time-Typical (10 ms) Maximum Leakage (82 cc/min./70 bar)	

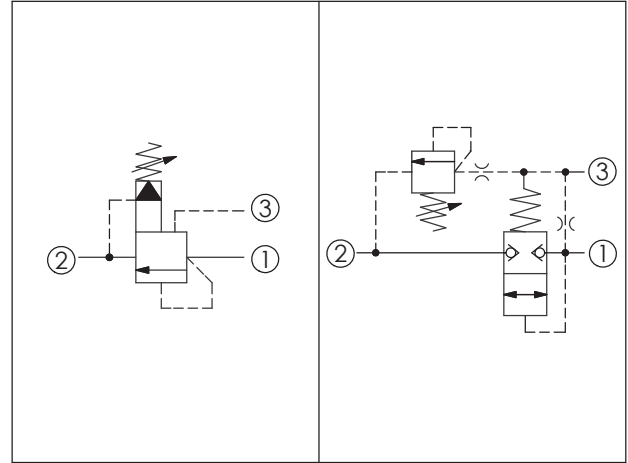
Y	SPRINGS
ADJUSTMENT RANGES	
A	7 to 210 bar (70 bar Standard Setting)
B	3.5 to 105 bar (70 bar Standard Setting)
C	10.5 to 420 bar (70 bar Standard Setting)

Z	OPTIONS
L	Leakproof hex. socket screw. 
K	Handknob with Lock Knob. 
C	Stainless Steel Tamper Resistant Cover. 

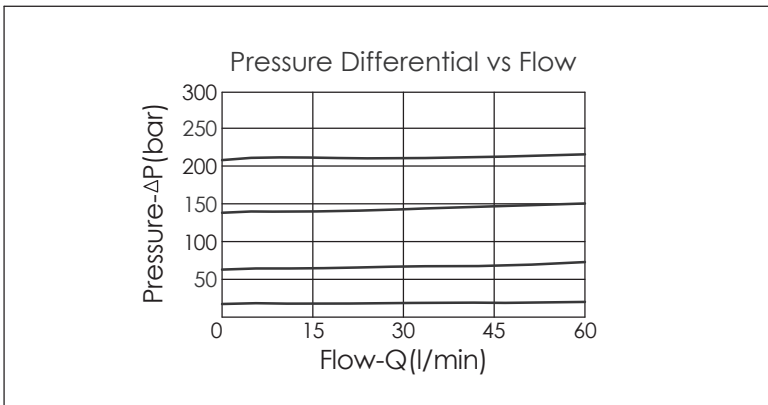
RELIEF VALVE (Ventable, Pilot Operated, Balanced Poppet)

Ordering Code: **RV-11A-X-Y-Z**

UNIT:mm


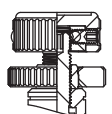
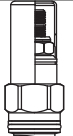


TECHNICAL DATA	
Max. Operating pressure:	350 bar
Rated flow:	60 l/min
Cavity-Tooling:	11A-3
Installation torque:	40-50 Nm
Weight:	0.16 kg

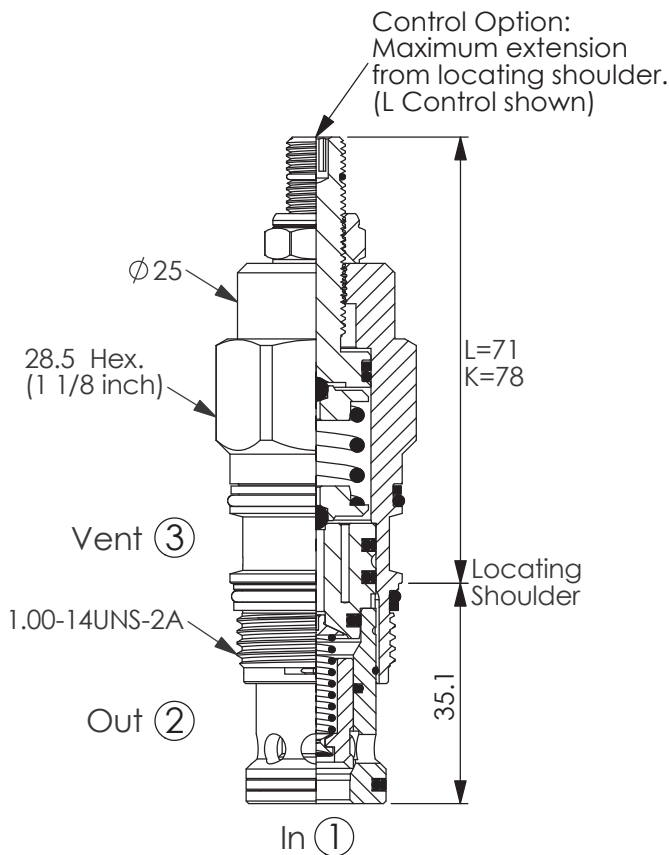


X	OPERATION
3G	Balanced Poppet
Response Time-Typical (2 ms) Maximum Leakage (0.7 cc/min.) Dirt tolerant	

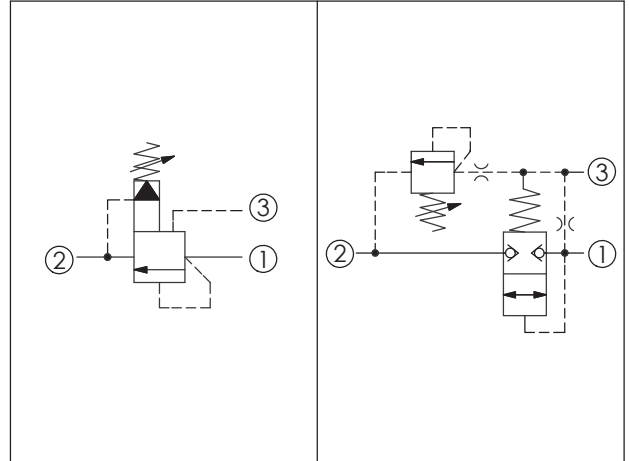
Y	SPRINGS
	ADJUSTMENT RANGES
A	7 to 210 bar (70 bar Standard Setting)
B	3.5 to 105 bar (70 bar Standard Setting)
C	10.5 to 420 bar (70 bar Standard Setting)
N	4 to 55 bar (28 bar Standard Setting)
Q	4 to 28 bar (14 bar Standard Setting)
W	10.5 to 315 bar (70 bar Standard Setting)

Z	OPTIONS
L	Leakproof hex. socket screw. 
K	Handknob with Lock Knob. 
C	Stainless Steel Tamper Resistant Cover. 

Ordering Code: **RV-2A-X-Y-Z**



UNIT:mm



TECHNICAL DATA

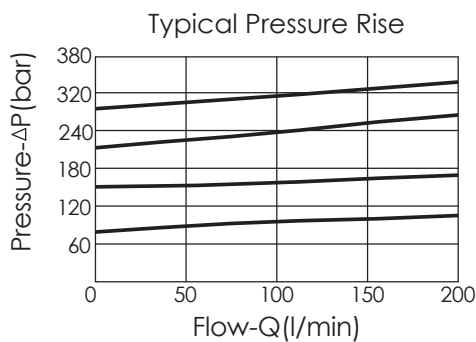
Max. Operating pressure: 350 bar

Rated flow: 95 l/min

Cavity-Tooling: 2A-3

Installation torque: 60-70 Nm

Weight: 0.29 kg



X OPERATION

3G Balanced Poppet

Response Time-Typical (2 ms)
Maximum Leakage (0.7 cc/min.)
Dirt tolerant

Y

SPRINGS

ADJUSTMENT RANGES

A	7 to 210 bar (70 bar Standard Setting)
B	3.5 to 105 bar (70 bar Standard Setting)
C	10.5 to 420 bar (70 bar Standard Setting)
N	4 to 55 bar (28 bar Standard Setting)
Q	4 to 28 bar (14 bar Standard Setting)
W	10.5 to 315 bar (70 bar Standard Setting)

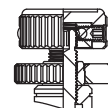
Z

OPTIONS

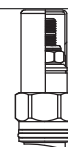
L Leakproof hex. socket screw.

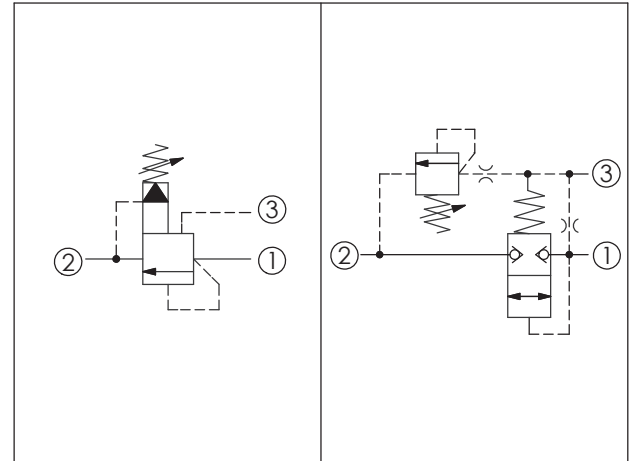
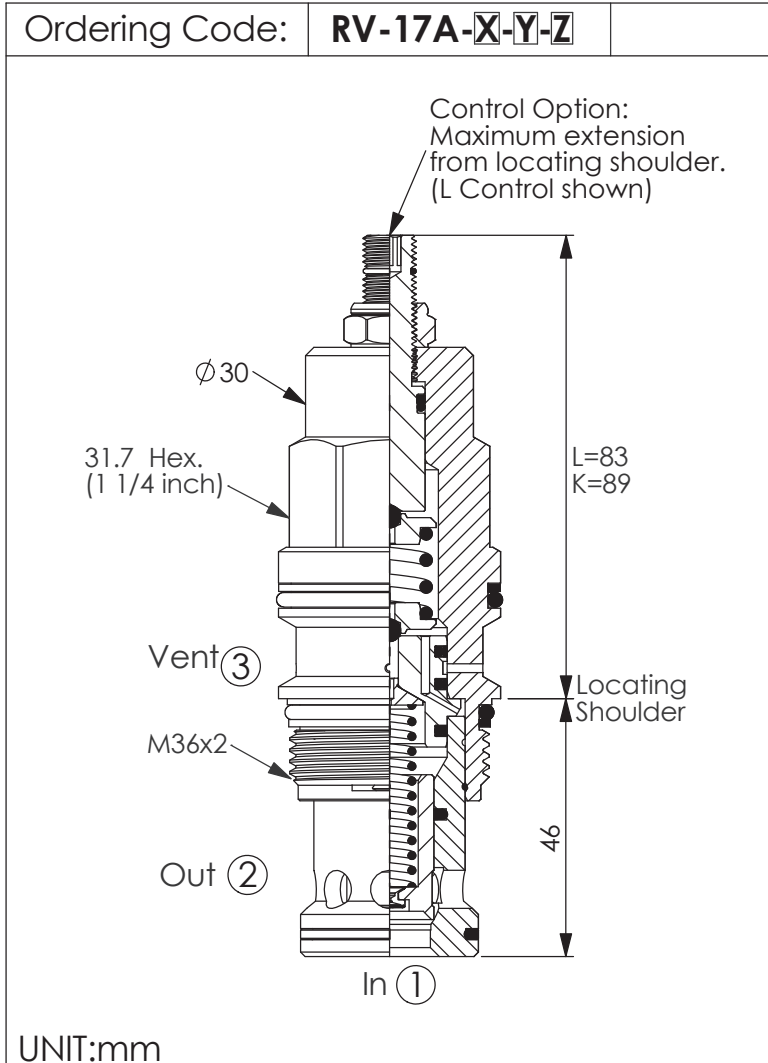


K Handknob with Lock Knob.



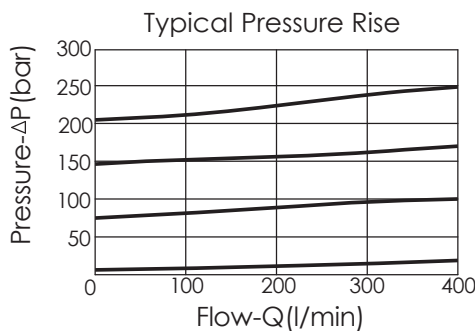
C Stainless Steel Tamper Resistant Cover.





TECHNICAL DATA

Max. Operating pressure:	350	bar
Rated flow:	200	l/min
Cavity-Tooling:	17A-3	
Installation torque:	200-215	Nm
Weight:	0.63	kg



X

OPERATION

3G

Balanced Poppet

Response Time-Typical (2 ms)
Maximum Leakage (0.7 cc/min.)
Dirt tolerant

Y

SPRINGS

ADJUSTMENT RANGES

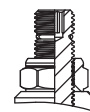
A	7 to 210 bar (70 bar Standard Setting)
B	3.5 to 105 bar (70 bar Standard Setting)
C	10.5 to 420 bar (70 bar Standard Setting)
N	4 to 55 bar (28 bar Standard Setting)
Q	4 to 28 bar (14 bar Standard Setting)
W	10.5 to 315 bar (70 bar Standard Setting)

Z

OPTIONS

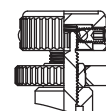
L

Leakproof hex. socket screw.



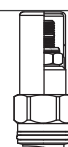
K

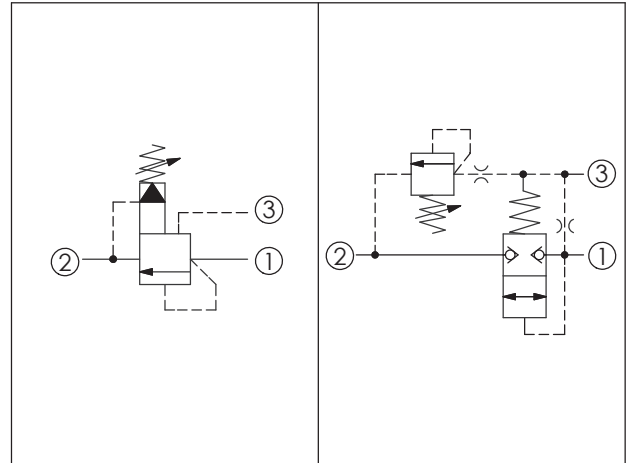
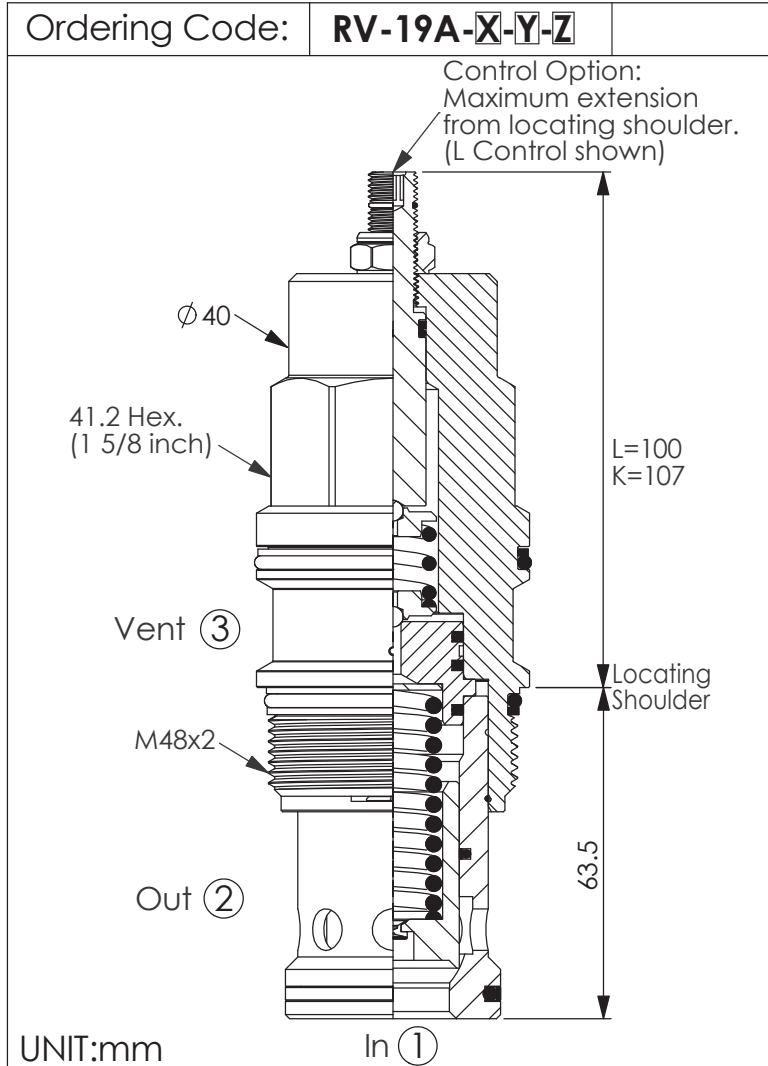
Handknob with Lock Knob.



C

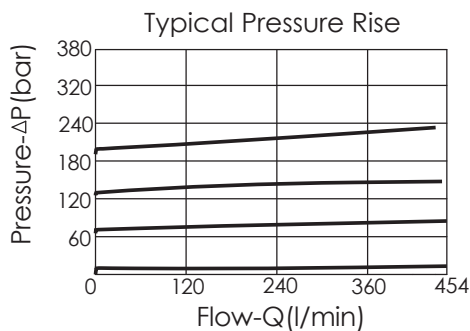
Stainless Steel Tamper Resistant Cover.





TECHNICAL DATA

Max. Operating pressure:	350 bar	
Rated flow:	480	l/min
Cavity-Tooling:	19A-3	
Installation torque:	465-500	Nm
Weight:	1.43	kg



X OPERATION

3G Balanced Poppet

Response Time-Typical (2 ms)
Maximum Leakage (0.7 cc/min.)
Dirt tolerant

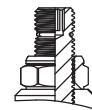
Y SPRINGS

ADJUSTMENT RANGES

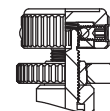
Y	ADJUSTMENT RANGES
A	7 to 210 bar (70 bar Standard Setting)
B	3.5 to 105 bar (70 bar Standard Setting)
C	10.5 to 420 bar (70 bar Standard Setting)
N	4 to 55 bar (28 bar Standard Setting)
Q	4 to 28 bar (14 bar Standard Setting)
W	10.5 to 315 bar (70 bar Standard Setting)

Z OPTIONS

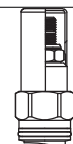
L Leakproof hex. socket screw.



K Handknob with Lock Knob.

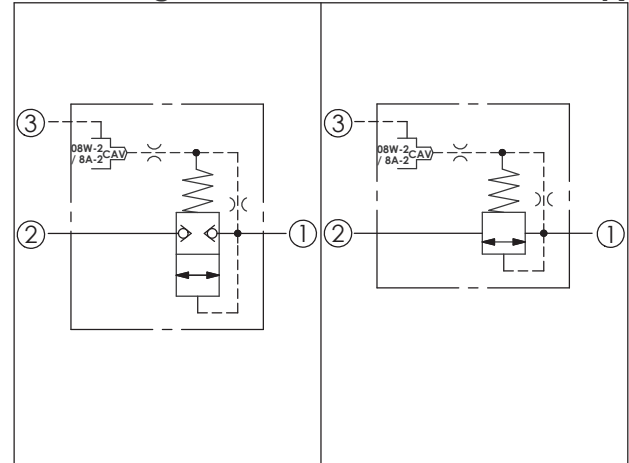


C Stainless Steel Tamper Resistant Cover.



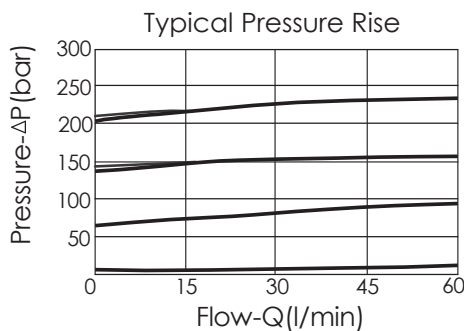
Ordering Code: **RV-11A-X-Y-Z**

UNIT:mm



TECHNICAL DATA

Max. Operating pressure:	350 bar	
Rated flow:	60	l/min
Cavity-Tooling:	11A-3	
Installation torque:	40-50	Nm
Weight:	0.10	kg
Will accept maximum pressure at port 2; suitable for use in cross port relief circuits.		



X

OPERATION

3G

Balanced Poppet

Response Time-Typical (10 ms)
Maximum Leakage (0.7 cc/min.)
Dirt tolerant

Y

SPRINGS

MINIMUM CONTROL PRESSURE

B

3.5 bar (50 psi)

W

7 bar (100 psi)

W spring is suit for higher pressure drop application.
Please consult our sales department.

Z

CAVITIES

8

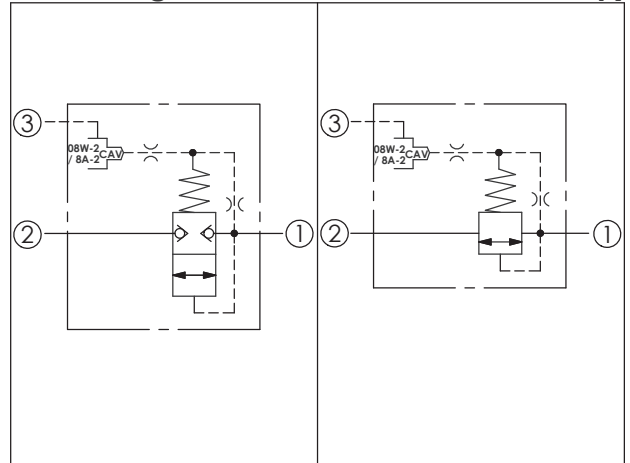
8A-2 Cavity

8W

08W-2 Cavity

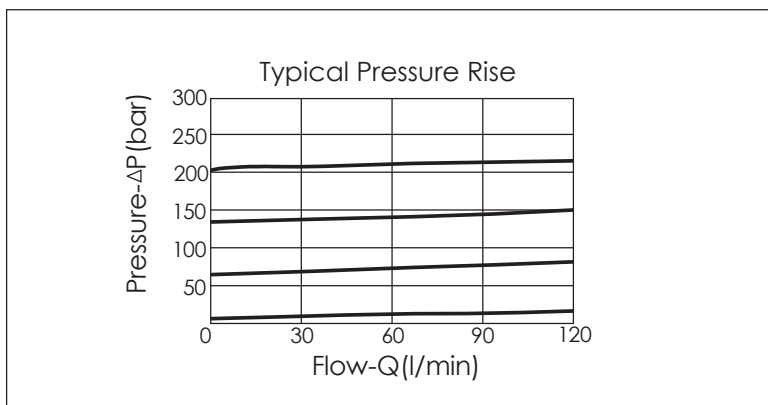
Ordering Code: **RV-2A-X-Y-Z**

UNIT:mm



TECHNICAL DATA

Max. Operating pressure:	350 bar	
Rated flow:	120	l/min
Cavity-Tooling:	2A-3	
Installation torque:	60-70	Nm
Weight:	0.20	kg
Will accept maximum pressure at port 2; suitable for use in cross port relief circuits.		



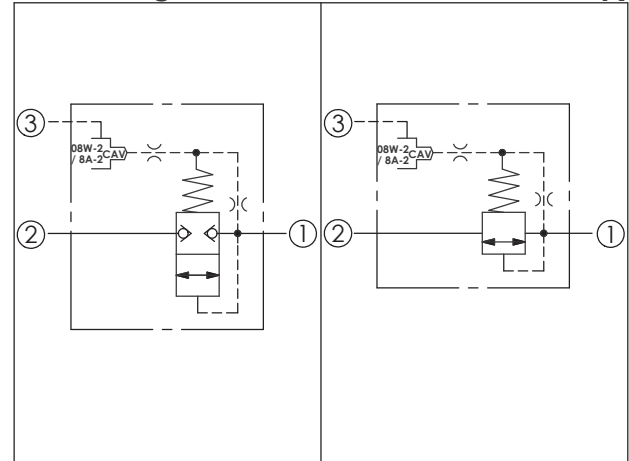
X	OPERATION	
3G	Balanced Poppet	
Response Time-Typical (10 ms) Maximum Leakage (0.7 cc/min.) Dirt tolerant		

Y	SPRINGS	
	MINIMUM CONTROL PRESSURE	
B	3.5 bar (50 psi)	
W	7 bar (100 psi)	
	W spring is suit for higher pressure drop application. Please consult our sales department.	

Z	CAVITIES	
8	8A-2 Cavity	
8W	08W-2 Cavity	

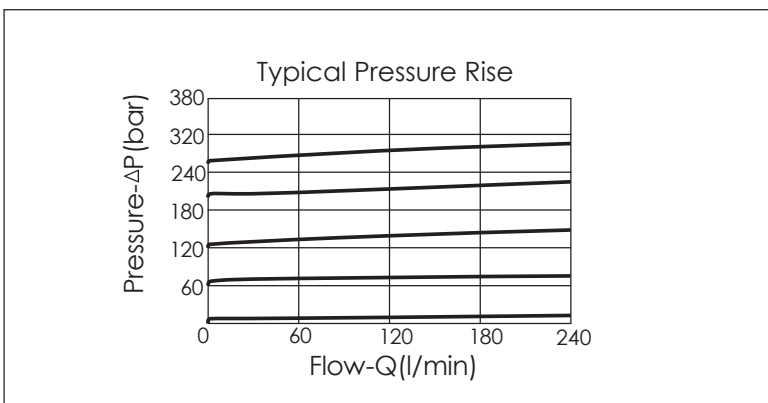
Ordering Code: **RV-17A-X-Y-Z**

UNIT:mm



TECHNICAL DATA

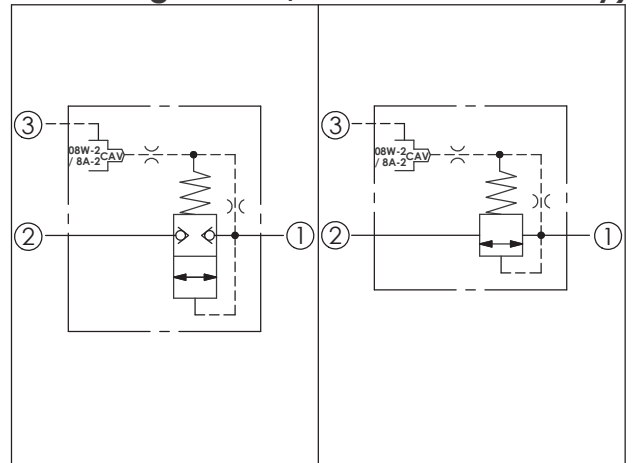
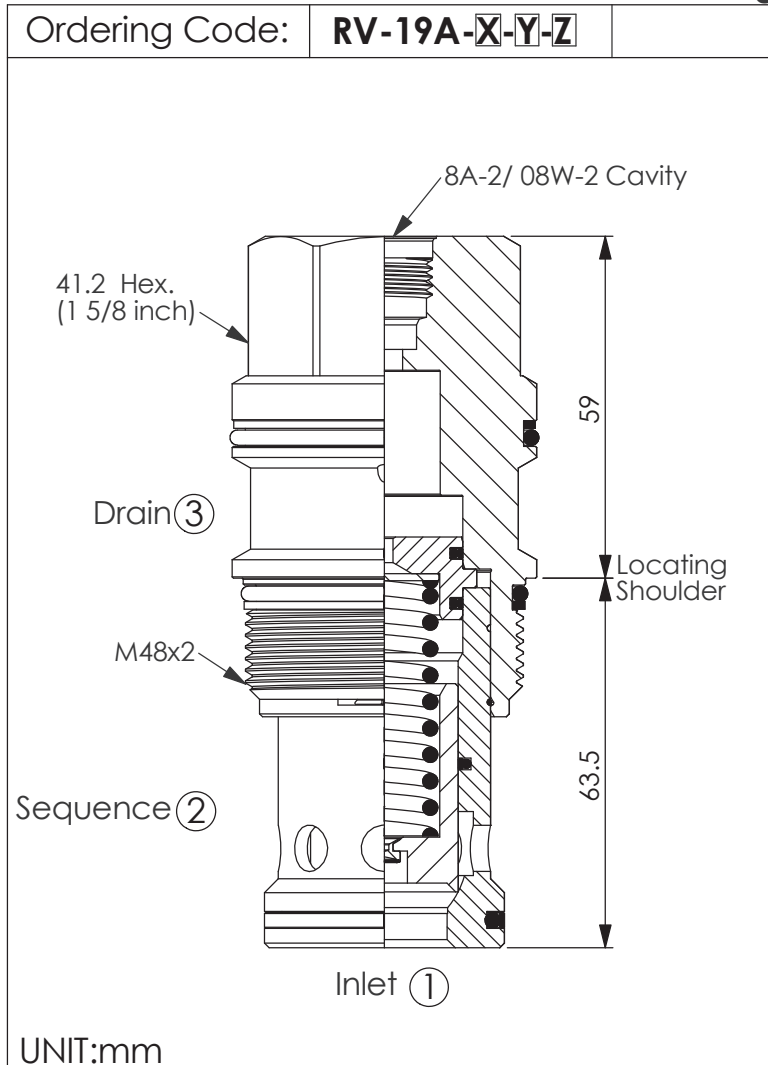
Max. Operating pressure:	350	bar
Rated flow:	240	l/min
Cavity-Tooling:	17A-3	
Installation torque:	200-215	Nm
Weight:	0.50	kg
Will accept maximum pressure at port 2; suitable for use in cross port relief circuits.		



X	OPERATION
3G	Balanced Poppet
Response Time-Typical (2 ms) Maximum Leakage (0.7 cc/min.) Dirt tolerant	

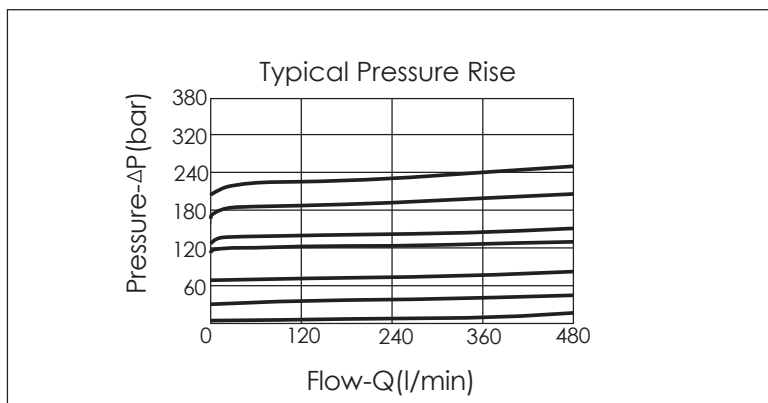
Y	SPRINGS
	MINIMUM CONTROL PRESSURE
B	3.5 bar (50 psi)
W	7 bar (100 psi)
W spring is suit for higher pressure drop application. Please consult our sales department.	

Z	CAVITIES
8	8A-2 Cavity
8W	08W-2 Cavity



TECHNICAL DATA

Max. Operating pressure:	350	bar
Rated flow:	480	l/min
Cavity-Tooling:	19A-3	
Installation torque:	465-500	Nm
Weight:	1.16	kg
Will accept maximum pressure at port 2; suitable for use in cross port relief circuits.		



X	OPERATION	
3G	Balanced Poppet	
Response Time-Typical (2 ms) Maximum Leakage (0.7 cc/min.) Dirt tolerant		

Y	SPRINGS	
	MINIMUM CONTROL PRESSURE	
B	3.5 bar (50 psi)	
W	7 bar (100 psi)	
W spring is suit for higher pressure drop application. Please consult our sales department.		

Z	CAVITIES	
8	8A-2 Cavity	
8W	08W-2 Cavity	

CENTRALA ELBLĄG

Ul. Rawska 19B
82-300 Elbląg

tel. /+48/ 55 625 51 00

fax /+48/ 55 625 51 01

Dział Handlowy

tel. /+48/ 55 625 51 51

elblag@hydropress.pl



www.hydropress.pl

ODDZIAŁ GDAŃSK

tel. /+48/ 55 625 51 21

fax /+48/ 55 625 51 22

ODDZIAŁ RUMIA

tel. /+48/ 58 679 34 15

fax /+48/ 55 625 51 25

ODDZIAŁ TYCHY

tel. /+48/ 32 787 52 88

fax /+48/ 55 625 51 38

ODDZIAŁ OLSZTYN

tel. /+48/ 89 532 01 05

fax /+48/ 89 715 21 42

ODDZIAŁ WARSZAWA

tel. /+48/ 22 468 86 97

fax /+48/ 55 625 51 32

BIURO WE WROCŁAWIU

tel. /+48/ 782 838 000

fax /+48/ 55 625 51 35

BIURO W KIELCACH

tel. /+48/ 885 995 501

fax /+48/ 55 625 51 01

BIURO W KRAKOWIE

tel. /+48/ 885 995 019

fax /+48/ 55 625 51 01

BIURO W OPOLU

tel. /+48/ 885 995 011

fax /+48/ 55 625 51 01

BIURO W BYDGOSZCZY

tel. /+48/ 790 222 771

fax /+48/ 55 625 51 01

BIURO W BIAŁYMSTOKU

tel. /+48/ 89 532 01 05

fax /+48/ 89 715 21 42

BIURO W ŁODZI

tel. /+48/ 609 221 421

fax /+48/ 89 715 21 42