

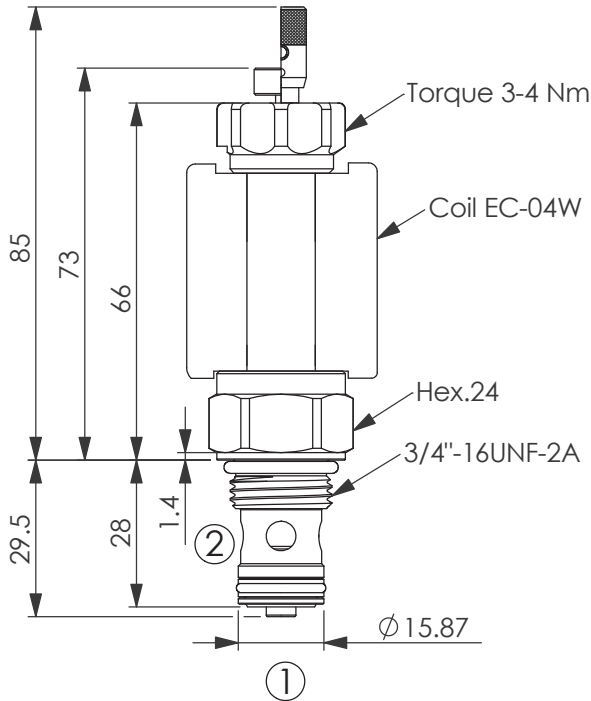


# ZAWORY

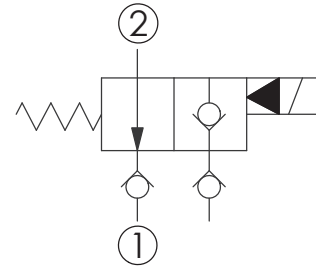
STEROWANE CEWKĄ  
2-DROGOWE, DWUPOŁOŻENIOWE  
DWUSTRONNIE SZCZELNE, OTWARTE

## SOLENOID OPERATED VALVES (Poppet 2-Way Normally-Open Cartridge Style)

Ordering Code: **EP-19E-X-Y-Z-05**



UNIT:mm



### TECHNICAL DATA

Max.Operating pressure: 350 bar

Rated flow: 40 l/min

Cavity-Tooling: 19E-2

Installation torque: 39-51 Nm

Weight: 0.13 kg

Fluids-Temperatures: -40~120 °C

Internal Leakage: 0.15cc/minute

(3 drops/minute) max.at 350 bar

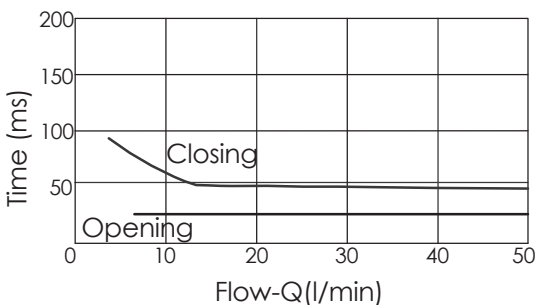
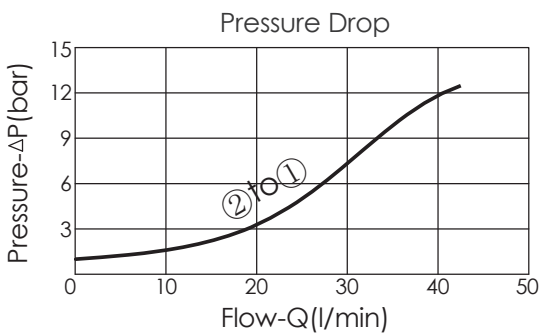
Filtration: 25 µm nominal or better

Minimum Voltage Required:

90 % of nominal

Coils must be ordered separately

Mounting Position: unrestricted

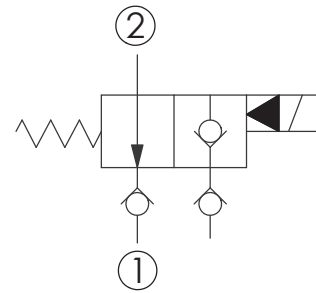
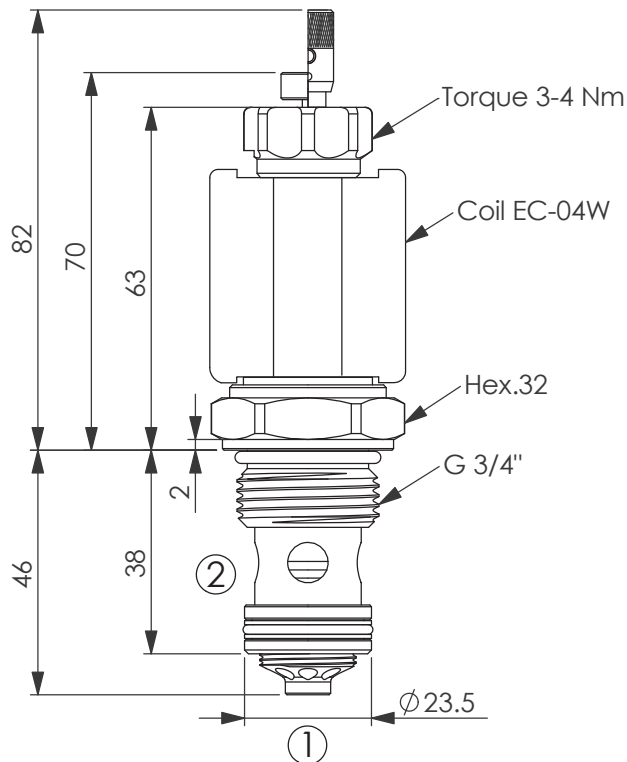


X	STRUCTURE	
2A	2 Ports · 20 Watt. Coil ∅ 12.7 mm tube	

Y	OPERATION	
12	Normally-Open Internal Reverse Check Valve	

Z	OPTIONS	
N	Non-adjustable	
P	Push Style Manual Override	
T	Push and Twist Style Manual Override	

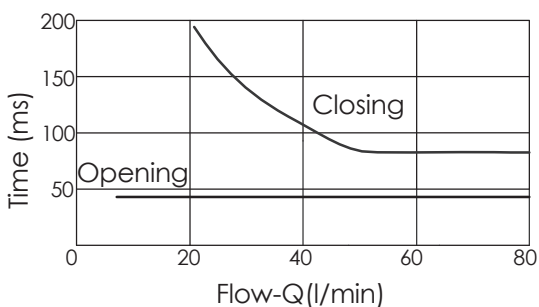
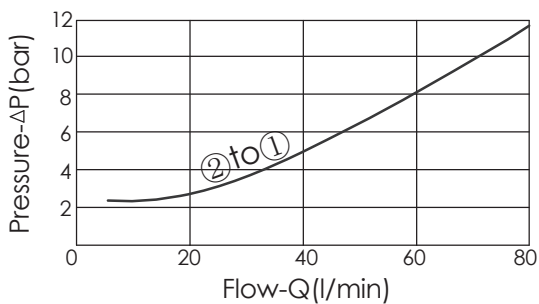
Ordering Code: **EP-17E-X-Y-Z-05**



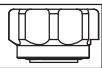
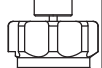
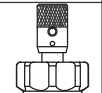
### TECHNICAL DATA

Max. Operating pressure:	350	bar
Rated flow:	70	l/min
Cavity-Tooling:	17E-2	
Installation torque:	54-66	Nm
Weight:	0.22	kg
Fluids-Temperatures:	-40~120	°C
Internal Leakage:	0.15cc/minute (3 drops/minute) max.at 350 bar	
Filtration:	25 µm nominal or better	
Minimum Voltage Required:	90 % of nominal	
Coils must be ordered separately		
Mounting Position:	unrestricted	

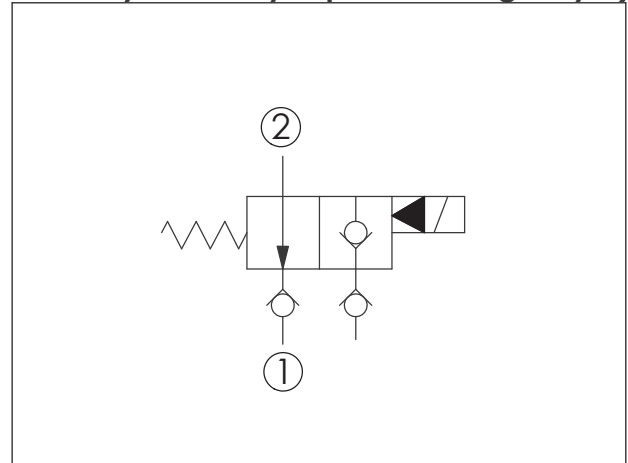
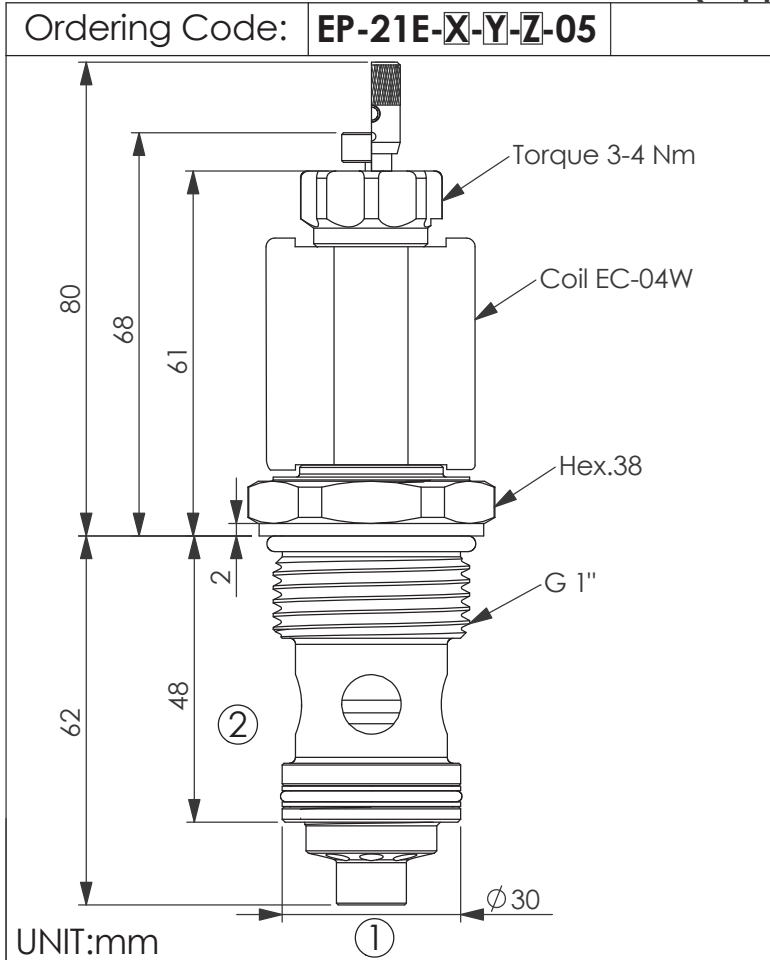
UNIT:mm



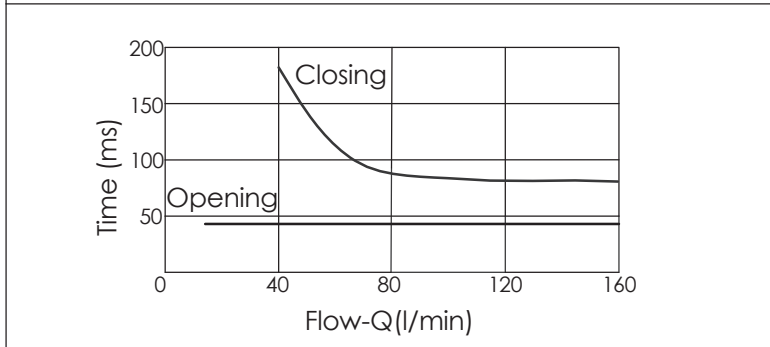
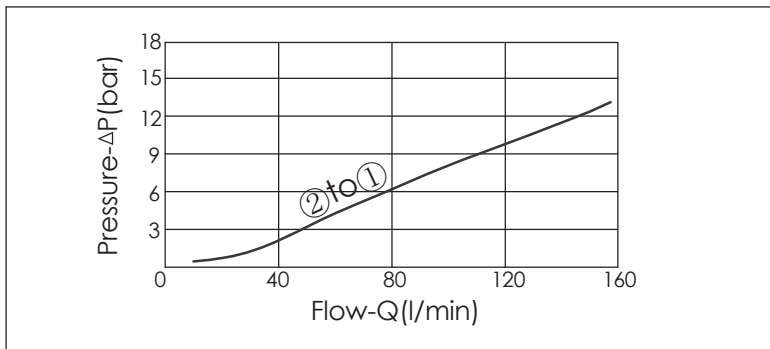
Y	OPERATION
12	Normally-Open Internal Reverse Check Valve

Z	OPTIONS
N	Non-adjustable 
P	Push Style Manual Override 
T	Push and Twist Style Manual Override 

## SOLENOID OPERATED VALVES (Poppet 2-Way Normally-Open Cartridge Style)


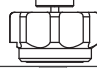
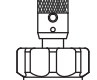


TECHNICAL DATA	
Max.Operating pressure:	350 bar
Rated flow:	150 l/min
Cavity-Tooling:	21E-2
Installation torque:	80-100 Nm
Weight:	0.35 kg
Fluids-Temperatures:	-40~120 °C
Internal Leakage:	0.15cc/minute (3 drops/minute) max.at 350 bar
Filtration:	25 µm nominal or better
Minimum Voltage Required:	90 % of nominal
Coils must be ordered separately	
Mounting Position:	unrestricted



Y	OPERATION
12	Normally-Open Internal Reverse Check Valve

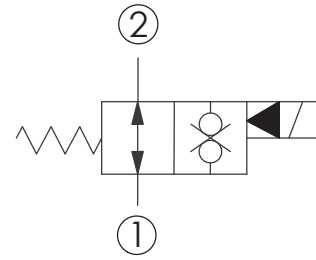
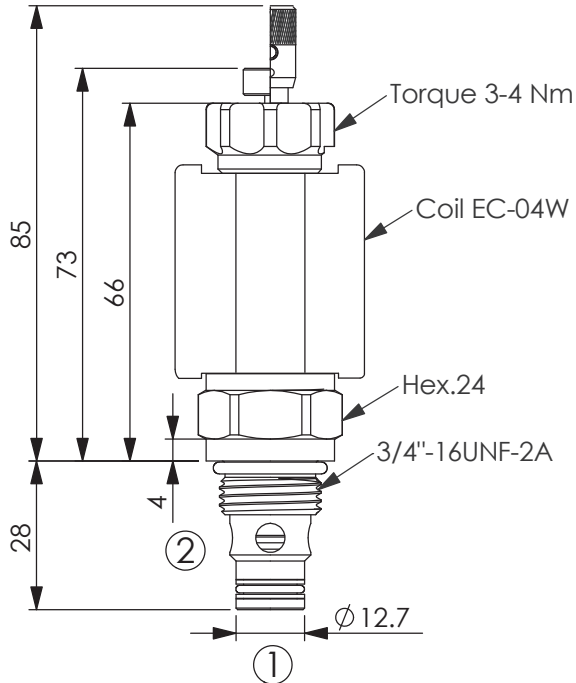
X	STRUCTURE
2A	2 Ports · 20 Watt. Coil

Z	OPTIONS
N	Non-adjustable 
P	Push Style Manual Override 
T	Push and Twist Style Manual Override 

## SOLENOID OPERATED VALVES

(Poppet 2-Way Double Lock Normally-Open Cartridge Style)

Ordering Code: **EP-08W-X-Y-Z-05**



### TECHNICAL DATA

Max. Operating pressure: 350 bar

Rated flow: 40 l/min

Cavity-Tooling: 08W-2

Installation torque: 39-51 Nm

Weight: 0.13 kg

Fluids-Temperatures: -40~120 °C

Internal Leakage: 0.15cc/minute  
(3 drops/minute) max.at 350 bar

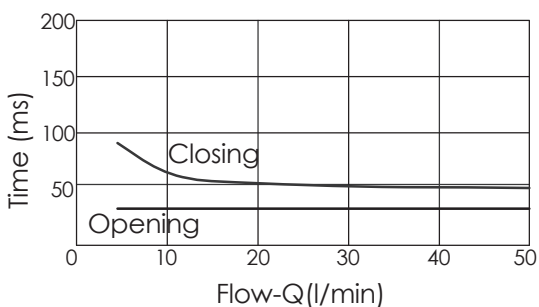
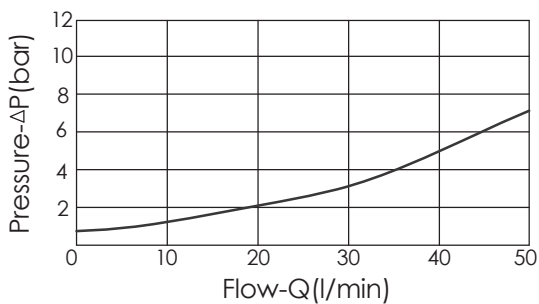
Filtration: 25 µm nominal or better

Minimum Voltage Required:  
90 % of nominal

Coils must be ordered separately

Mounting Position: unrestricted

UNIT:mm



X	STRUCTURE	
2A	2 Ports	20 Watt. Coil

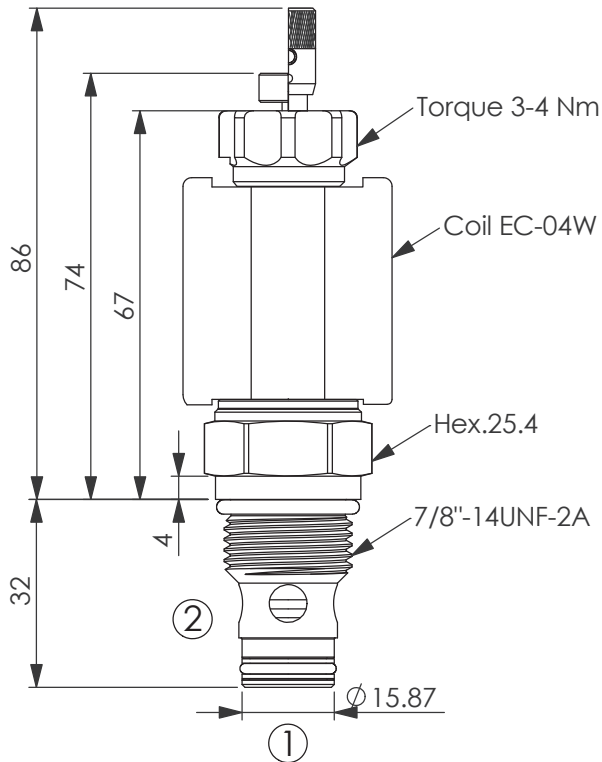
Y	OPERATION	
32	Normally-Open Double Lock	

Z	OPTIONS	
N	Non-adjustable	
P	Push Style Manual Override	
T	Push and Twist Style Manual Override	

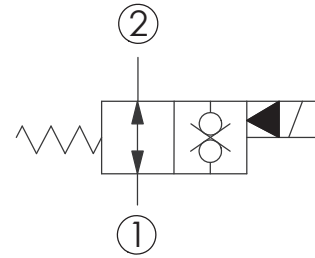
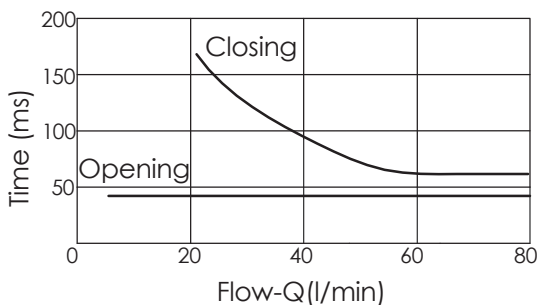
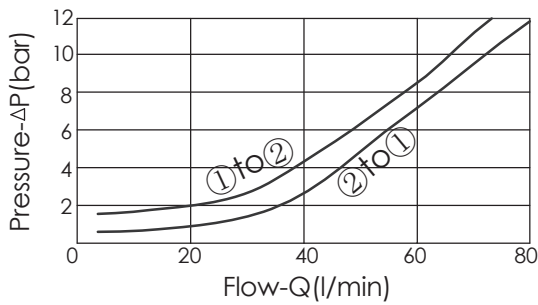
## SOLENOID OPERATED VALVES

(Poppet 2-Way Double Lock Normally-Open Cartridge Style)

Ordering Code: **EP-10W-X-Y-Z-05**



UNIT:mm



### TECHNICAL DATA

Max.Operating pressure: 350 bar

Rated flow: 70 l/min

Cavity-Tooling: 10W-2

Installation torque: 44-56 Nm

Weight: 0.16 kg

Fluids-Temperatures: -40~120 °C

Internal Leakage: 0.15cc/minute

(3 drops/minute) max.at 350 bar

Filtration: 25 μm nominal or better

Minimum Voltage Required:



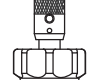
90 % of nominal

Coils must be ordered separately

Mounting Position: unrestricted

X	STRUCTURE
2A	2 Ports - 20 Watt. Coil

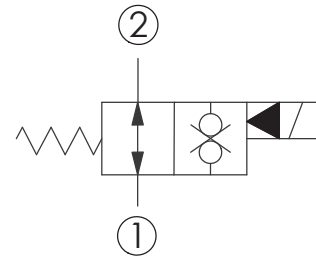
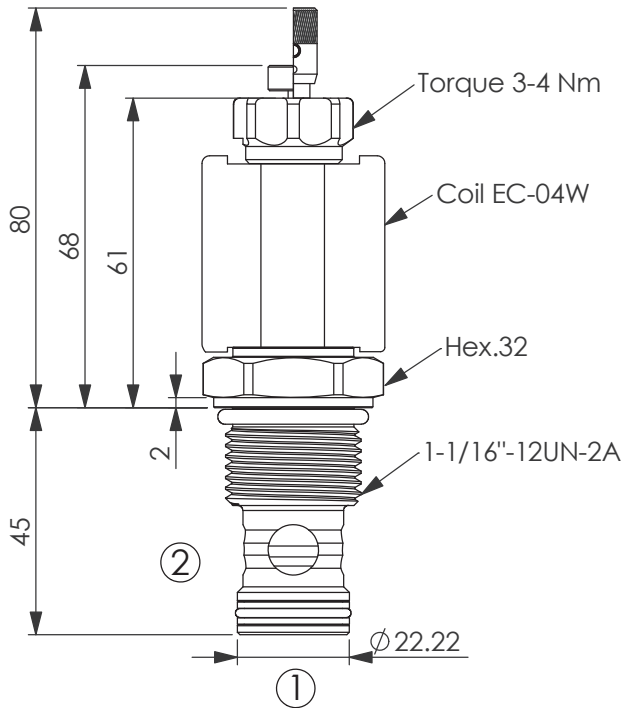
Y	OPERATION
32	Normally-Open Double Lock

Z	OPTIONS
N	Non-adjustable 
P	Push Style Manual Override 
T	Push and Twist Style Manual Override 

## SOLENOID OPERATED VALVES

(Poppet 2-Way Double Lock Normally-Open Cartridge Style)

Ordering Code: **EP-12W-X-Y-Z-05**



### TECHNICAL DATA

Max. Operating pressure: 350 bar

Rated flow: 150 l/min

Cavity-Tooling: 12W-2

Installation torque: 54-66 Nm

Weight: 0.23 kg

Fluids-Temperatures: -40~120 °C

Internal Leakage: 0.15cc/minute  
(3 drops/minute) max.at 350 bar

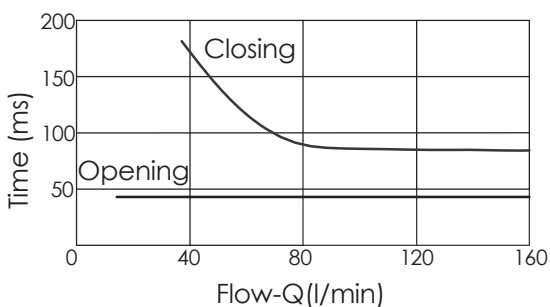
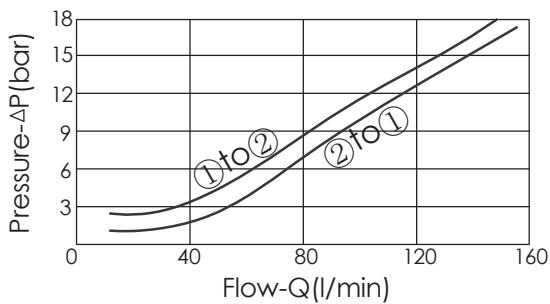
Filtration: 25 µm nominal or better

Minimum Voltage Required:  
90 % of nominal

Coils must be ordered separately

Mounting Position: unrestricted

UNIT:mm



### X STRUCTURE

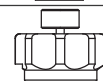
**2A** 2 Ports · 20 Watt. Coil

### Z OPTIONS

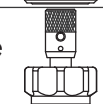
**N** Non-adjustable



**P** Push Style  
Manual Override



**T** Push and Twist Style  
Manual Override



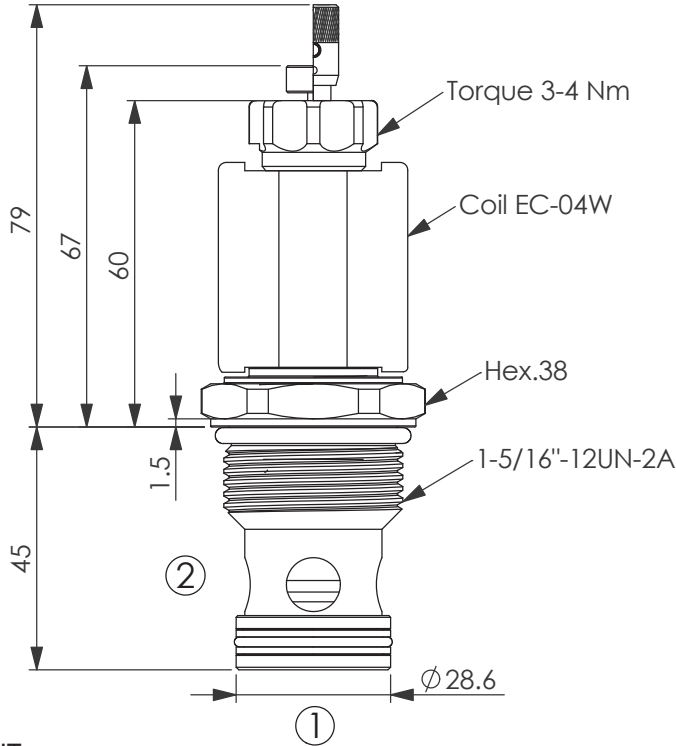
### Y OPERATION

**32** Normally-Open Double Lock

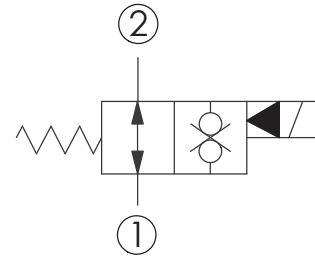
## SOLENOID OPERATED VALVES

(Poppet 2-Way Double Lock Normally-Open Cartridge Style)

Ordering Code: **EP-16W-X-Y-Z-05**



UNIT:mm



### TECHNICAL DATA

Max.Operating pressure: 350 bar

Rated flow: 150 l/min

Cavity-Tooling: 16W-2

Installation torque: 80-100 Nm

Weight: 0.35 kg

Fluids-Temperatures: -40~120 °C

Internal Leakage: 0.15cc/minute

(3 drops/minute) max.at 350 bar

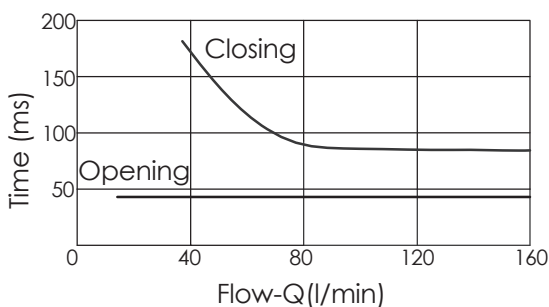
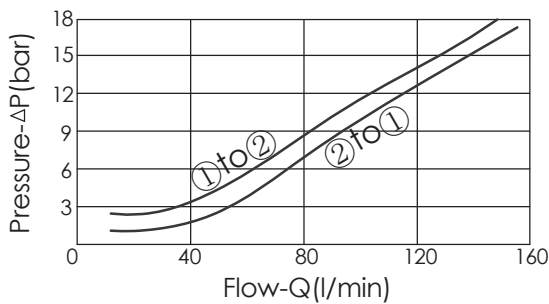
Filtration: 25 µm nominal or better

Minimum Voltage Required:

90 % of nominal

Coils must be ordered separately

Mounting Position: unrestricted



### Y OPERATION

**32** Normally-Open Double Lock

### X STRUCTURE

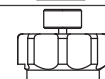
**2A** 2 Ports - 20 Watt. Coil

### Z OPTIONS

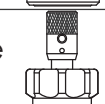
**N** Non-adjustable



**P** Push Style  
Manual Override

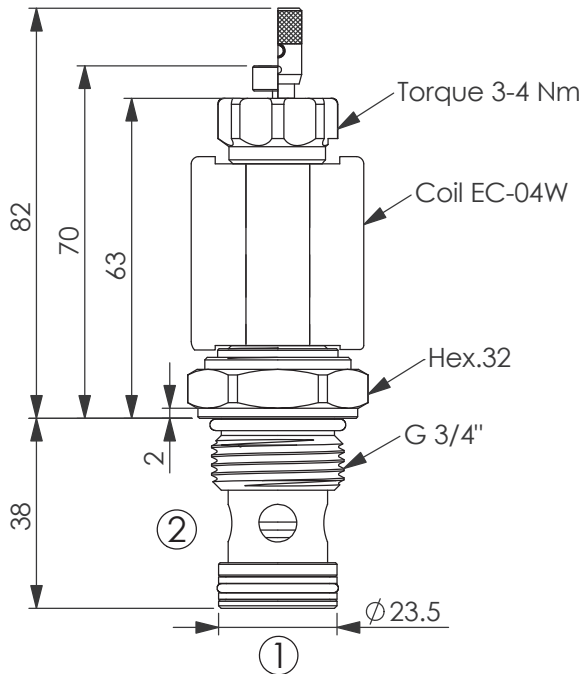


**T** Push and Twist Style  
Manual Override

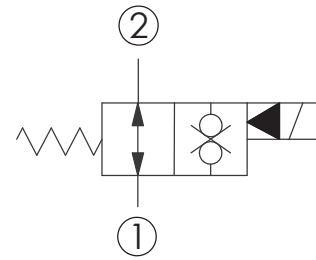




Ordering Code: **EP-17E-X-Y-Z-05**



UNIT:mm



### TECHNICAL DATA

Max.Operating pressure: 350 bar

Rated flow: 70 l/min

Cavity-Tooling: 17E-2

Installation torque: 54-66 Nm

Weight: 0.22 kg

Fluids-Temperatures: -40~120 °C

Internal Leakage: 0.15cc/minute

(3 drops/minute) max.at 350 bar

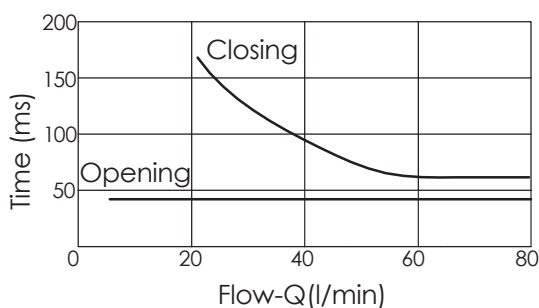
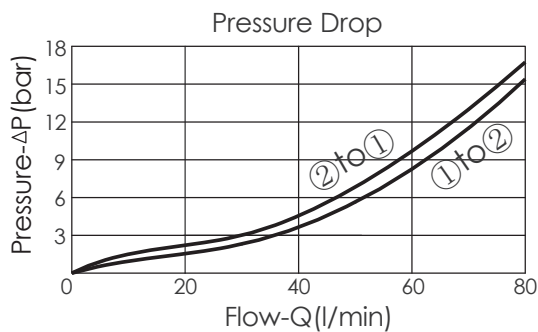
Filtration: 25 µm nominal or better

Minimum Voltage Required:

90 % of nominal

Coils must be ordered separately

Mounting Position: unrestricted



X	STRUCTURE	
2A	2 Ports · 20 Watt. Coil	
	∅ 12.7 mm tube	

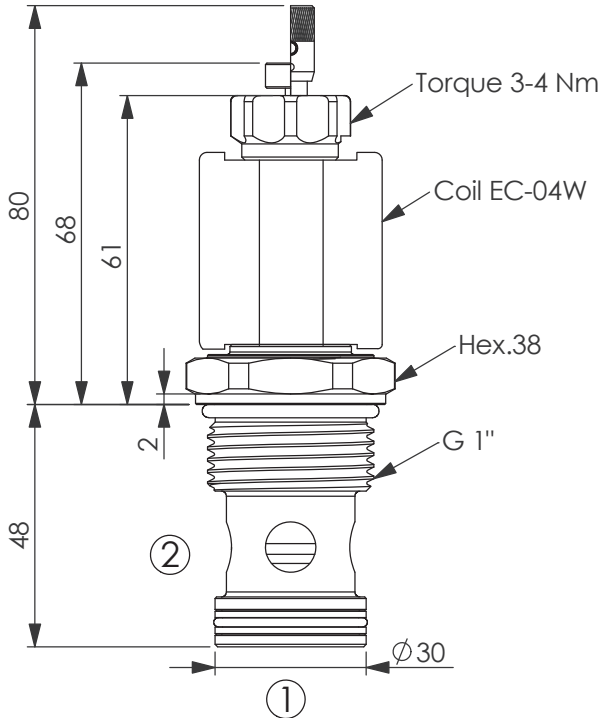
Y	OPERATION	
32	Normally-Open Double Lock	

Z	OPTIONS	
N	Non-adjustable	
P	Push Style Manual Override	
T	Push and Twist Style Manual Override	

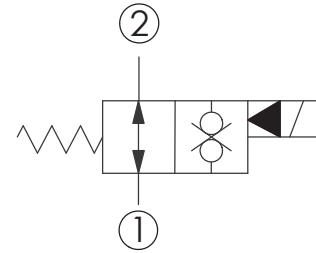
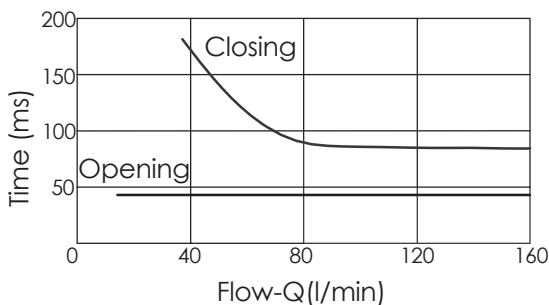
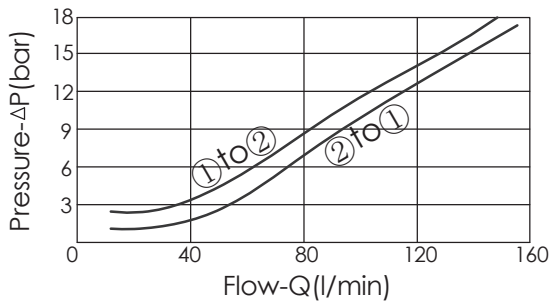
## SOLENOID OPERATED VALVES

(Poppet 2-Way Double Lock Normally-Open Cartridge Style)

Ordering Code: **EP-21E-X-Y-Z-05**



UNIT:mm



### TECHNICAL DATA

Max.Operating pressure: 350 bar

Rated flow: 150 l/min

Cavity-Tooling: 21E-2

Installation torque: 80-100 Nm

Weight: 0.35 kg

Fluids-Temperatures: -40~120 °C

Internal Leakage: 0.15cc/minute

(3 drops/minute) max.at 350 bar

Filtration: 25 μm nominal or better

Minimum Voltage Required:




90 % of nominal

Coils must be ordered separately

Mounting Position: unrestricted

X	STRUCTURE
2A	2 Ports - 20 Watt. Coil

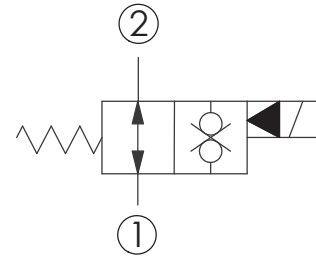
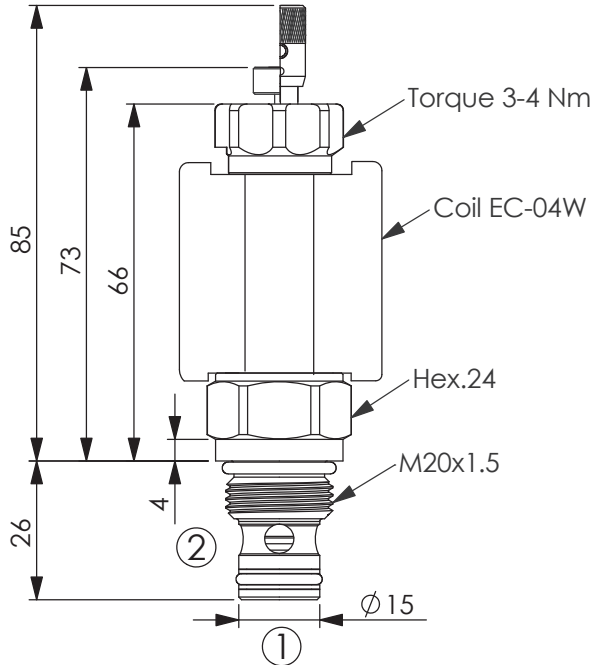
Y	OPERATION
32	Normally-Open Double Lock

Z	OPTIONS
N	Non-adjustable 
P	Push Style Manual Override 
T	Push and Twist Style Manual Override 

## SOLENOID OPERATED VALVES

(Poppet 2-Way Double Lock Normally-Open Cartridge Style)

Ordering Code: **EP-20M-X-Y-Z-05**



### TECHNICAL DATA

Max. Operating pressure: 350 bar

Rated flow: 40 l/min

Cavity-Tooling: 20M-2

Installation torque: 39-51 Nm

Weight: 0.13 kg

Fluids-Temperatures: -40~120 °C

Internal Leakage: 0.15cc/minute  
(3 drops/minute) max.at 350 bar

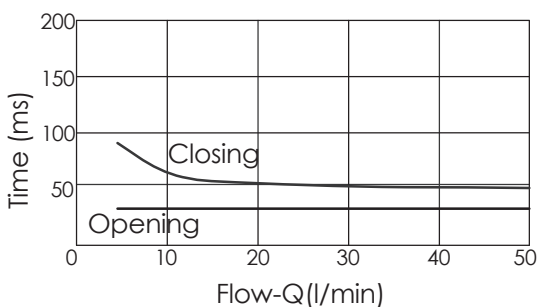
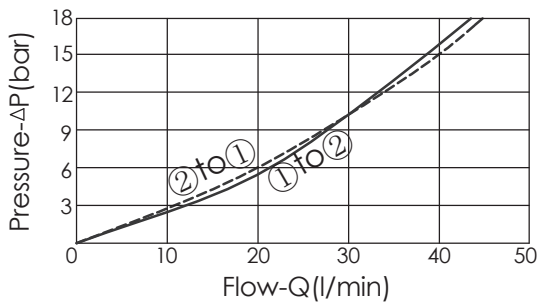
Filtration: 25 µm nominal or better

Minimum Voltage Required:  
90 % of nominal

Coils must be ordered separately

Mounting Position: unrestricted

UNIT:mm



X	STRUCTURE	
2A	2 Ports - 20 Watt. Coil	

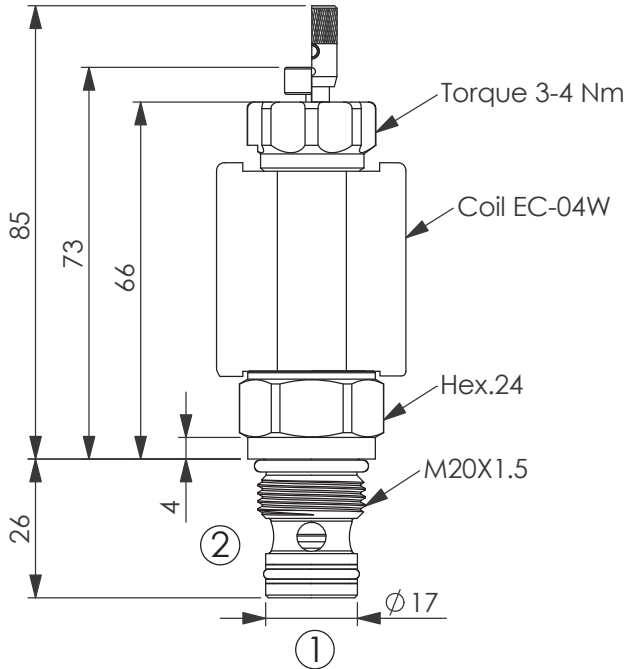
Y	OPERATION	
32	Normally-Open Double Lock	

Z	OPTIONS	
N	Non-adjustable	
P	Push Style Manual Override	
T	Push and Twist Style Manual Override	

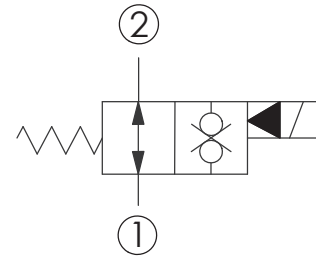
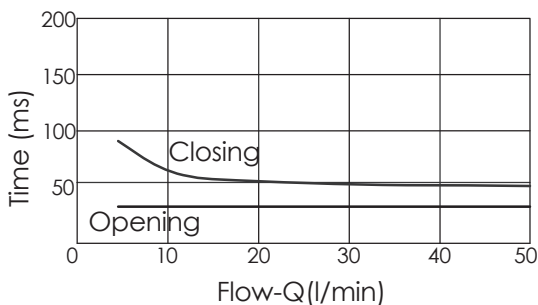
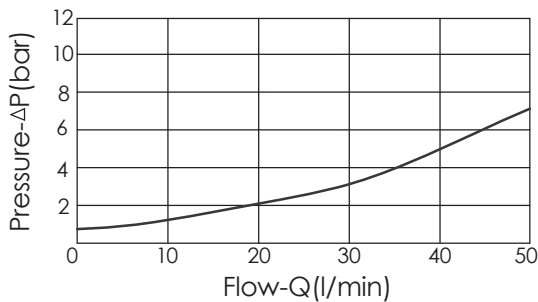
## SOLENOID OPERATED VALVES

(Poppet 2-Way Double Lock Normally-Open Cartridge Style)

Ordering Code: **EP-20MB-X-Y-Z-05**



UNIT:mm



### TECHNICAL DATA

Max.Operating pressure: 350 bar

Rated flow: 40 l/min

Cavity-Tooling: 20MB-2

Installation torque: 39-51 Nm

Weight: 0.13 kg

Fluids-Temperatures: -40~120 °C

Internal Leakage: 0.15cc/minute

(3 drops/minute) max.at 350 bar

Filtration: 25 μm nominal or better

Minimum Voltage Required:


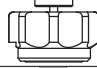
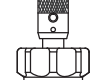
90 % of nominal

Coils must be ordered separately

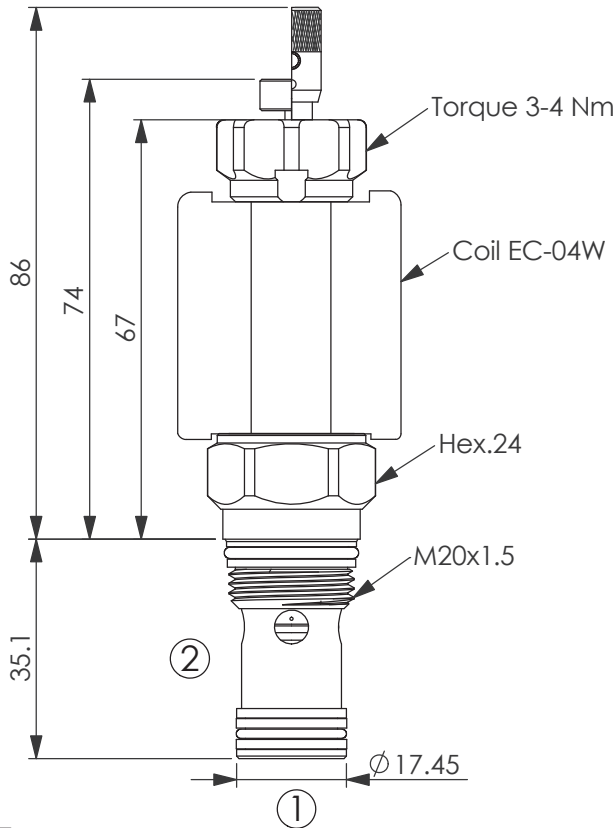
Mounting Position: unrestricted

X	STRUCTURE
2A	2 Ports - 20 Watt. Coil

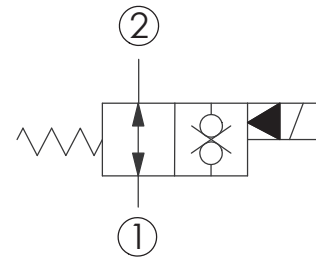
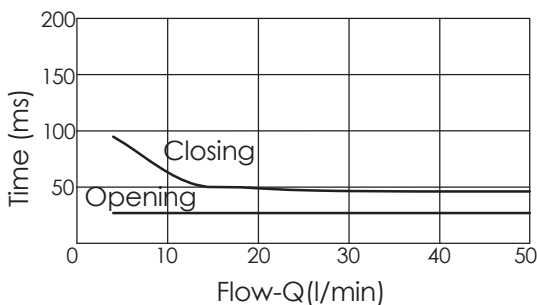
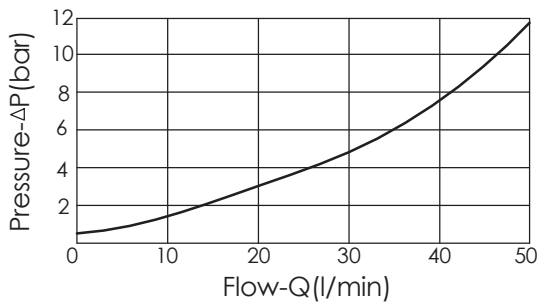
Y	OPERATION
32	Normally-Open Double Lock

Z	OPTIONS
N	Non-adjustable 
P	Push Style Manual Override 
T	Push and Twist Style Manual Override 

Ordering Code: **EP-13A-X-Y-Z-05**



UNIT:mm



### TECHNICAL DATA

Max.Operating pressure: 350 bar

Rated flow: 40 l/min

Cavity-Tooling: 13A-2

Installation torque: 39-51 Nm

Weight: 0.14 kg

Fluids-Temperatures: -40~120 °C

Internal Leakage: 0.15cc/minute  
(3 drops/minute) max.at 350 bar

Filtration: 25 μm nominal or better

Minimum Voltage Required:  
90 % of nominal

Coils must be ordered separately

Mounting Position: unrestricted

### X STRUCTURE

**2A** 2 Ports \ 20 Watt. Coil

### Z OPTIONS

**N** Non-adjustable 

**P** Push Style Manual Override 

**T** Push and Twist Style Manual Override 

**NP** Non-adjustable With stainless steel external metal components 

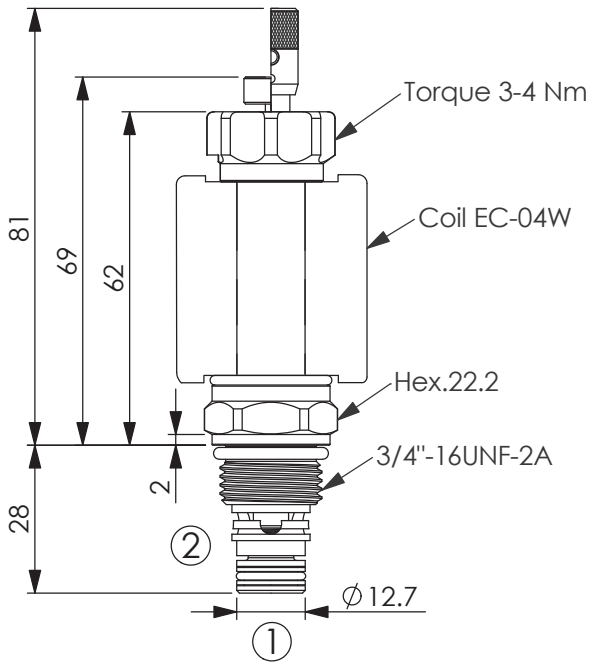
**PP** Push Style Manual Override With stainless steel external metal components 

### Y OPERATION

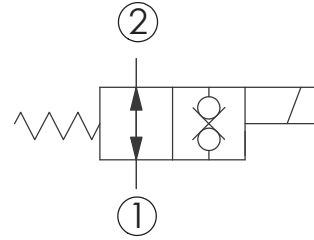
**32** Normally-Open Double Lock

## SOLENOID OPERATED VALVES (Poppet 2-Way Normally-Open Cartridge Style)

Ordering Code: **EP-08W-X-Y-Z-04**



UNIT:mm



### TECHNICAL DATA

Max.Operating pressure: 350 bar

Rated flow: 15 l/min

Cavity-Tooling: 08W-2

Installation torque: 39-51 Nm

Weight: 0.13 kg

Fluids-Temperatures: -40~120 °C

Internal Leakage: 0.15cc/minute

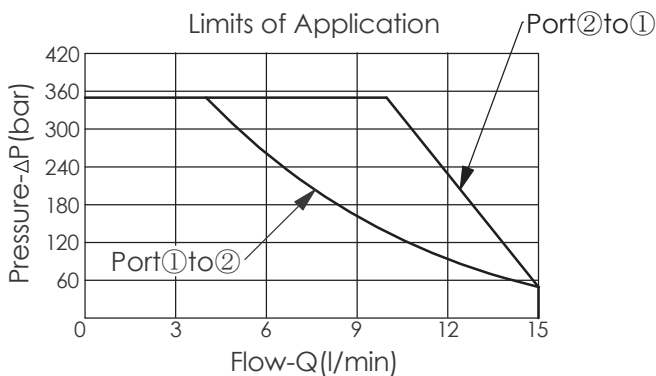
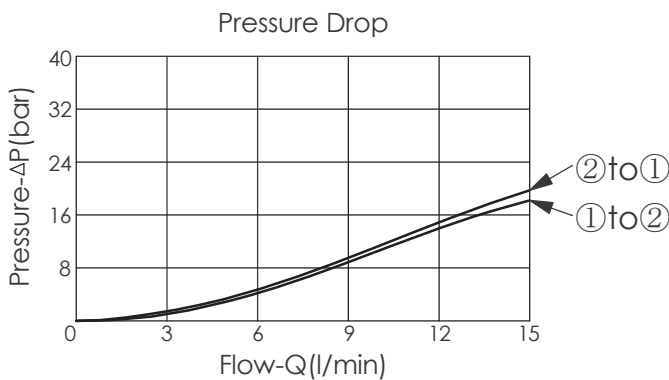
(3 drops/minute) max.at 240 bar

Filtration: 25 µm nominal or better

Minimum Voltage Required:  
90 % of nominal

Coils must be ordered separately

Mounting Position: unrestricted



### Y OPERATION

**52** Direct-Acting Normally-Open Double-Lock

### X STRUCTURE

**2A** 2 Ports · 20 Watt. Coil  
∅ 12.7 mm tube

### Z OPTIONS

**N** Non-adjustable 

**P** Push Style Manual Override 

**T** Push and Twist Style Manual Override 

## CENTRALA ELBLĄG

Ul. Rawska 19B  
82-300 Elbląg

tel. /+48/ 55 625 51 00

fax /+48/ 55 625 51 01

### Dział Handlowy

tel. /+48/ 55 625 51 51

elblag@hydropress.pl



[www.hydropress.pl](http://www.hydropress.pl)

### ODDZIAŁ GDAŃSK

tel. /+48/ 55 625 51 21

fax /+48/ 55 625 51 22

### ODDZIAŁ RUMIA

tel. /+48/ 58 679 34 15

fax /+48/ 55 625 51 25

### ODDZIAŁ TYCHY

tel. /+48/ 32 787 52 88

fax /+48/ 55 625 51 38

### ODDZIAŁ OLSZTYN

tel. /+48/ 89 532 01 05

fax /+48/ 89 715 21 42

### ODDZIAŁ WARSZAWA

tel. /+48/ 22 468 86 97

fax /+48/ 55 625 51 32

### BIURO WE WROCŁAWIU

tel. /+48/ 782 838 000

fax /+48/ 55 625 51 35

### BIURO W KIELCACH

tel. /+48/ 885 995 501

fax /+48/ 55 625 51 01

### BIURO W KRAKOWIE

tel. /+48/ 885 995 019

fax /+48/ 55 625 51 01

### BIURO W OPOLU

tel. /+48/ 885 995 011

fax /+48/ 55 625 51 01

### BIURO W BYDGOSZCZY

tel. /+48/ 790 222 771

fax /+48/ 55 625 51 01

### BIURO W BIAŁYMSTOKU

tel. /+48/ 89 532 01 05

fax /+48/ 89 715 21 42

### BIURO W ŁODZI

tel. /+48/ 609 221 421

fax /+48/ 89 715 21 42