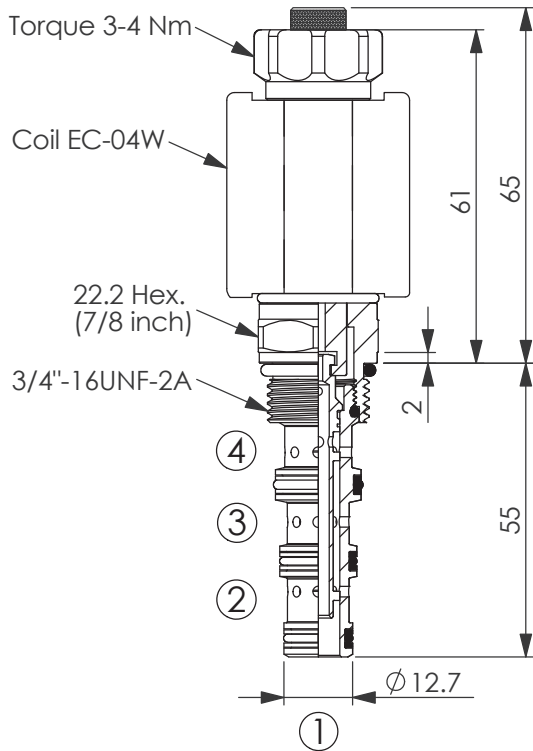


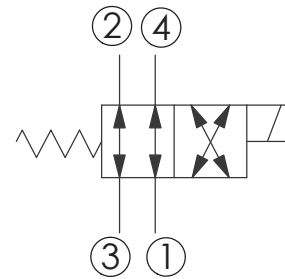


ZAWORY STEROWANE CEWKĄ 4-DROGOWE, DWUPOŁOŻENIOWE

Ordering Code: **ES-08W-X-Y-Z-04**



UNIT:mm



TECHNICAL DATA

Rated pressure: 350 bar

Rated flow: 15 l/min

Cavity-Tooling: 08W-4

Installation torque: 39-51 Nm

Weight: 0.13 kg

Fluids-Temperatures: -40~120 °C

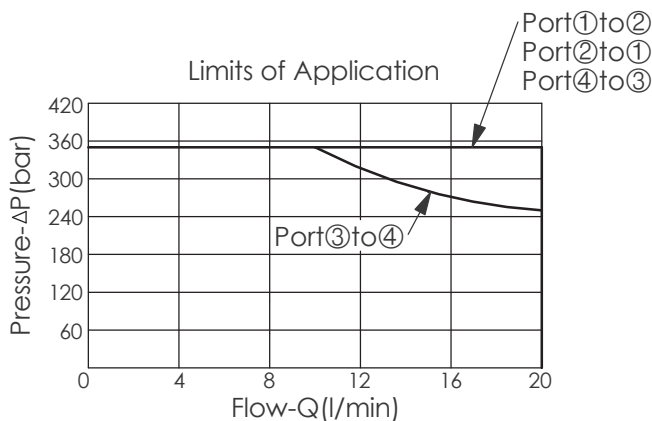
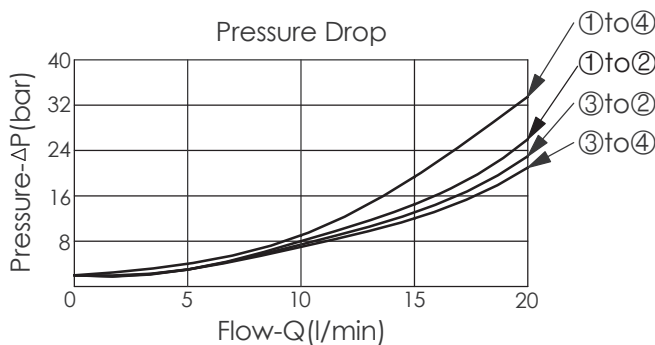
Internal Leakage: 80cc/minute
max.at 210 bar

Filtration: 25 µm nominal or better

Minimum Voltage Required:
90 % of nominal

Coils must be ordered separately

Mounting Position: unrestricted

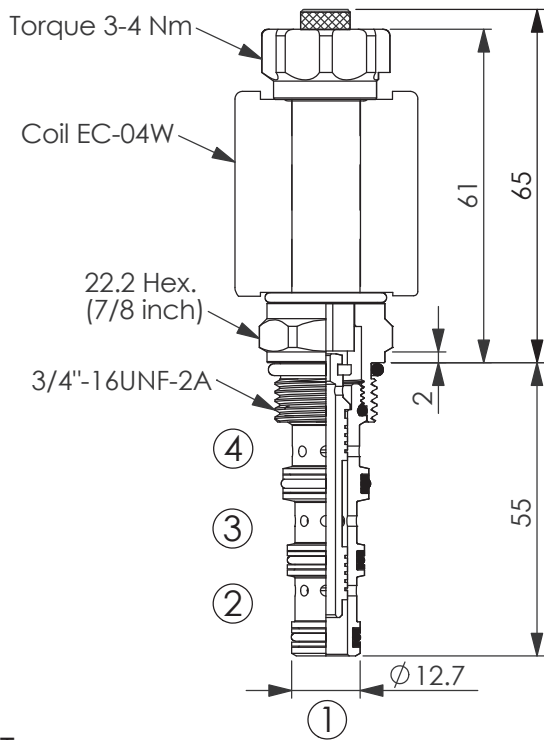


X	STRUCTURE	
4A	4 Ports - 20 Watt. Coil Ø 12.7 mm tube	

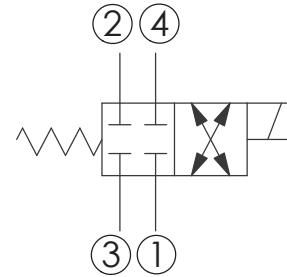
Y	OPERATION	
10	Spool 4-Way,2-Position	

Z	OPTIONS	
N	Non-adjustable	
M	Screw-out Knob Style	

Ordering Code: **ES-08W-X-Y-Z-04**



UNIT:mm



TECHNICAL DATA

Max. Operating pressure: 350 bar

Rated flow: 15 l/min

Cavity-Tooling: 08W-4

Installation torque: 39-51 Nm

Weight: 0.13 kg

Fluids-Temperatures: -40~120 °C

Internal Leakage: 80cc/minute

max.at 210 bar with 46 cSt oil

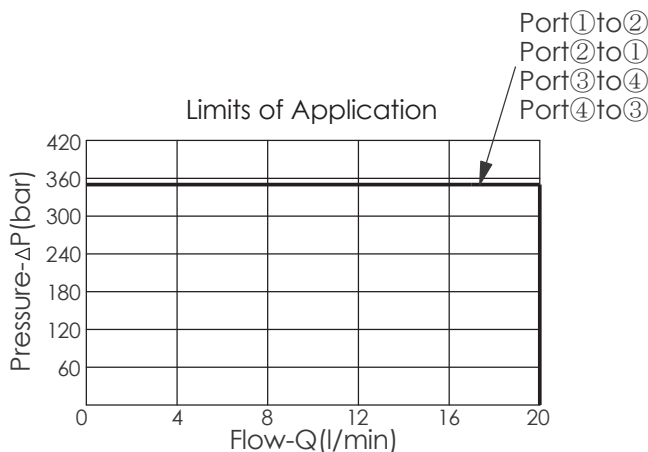
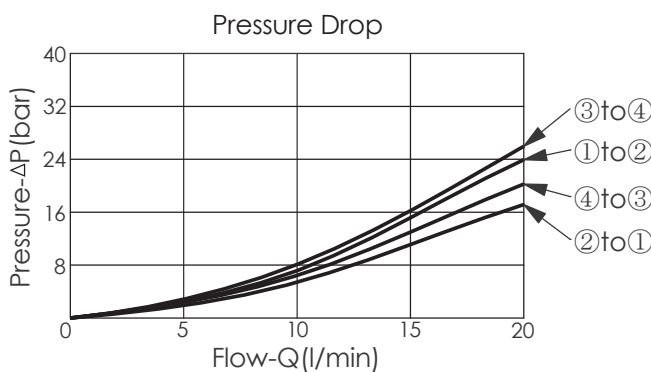
Filtration: 25 µm nominal or better

Minimum Voltage Required:

90 % of nominal

Coils must be ordered separately

Mounting Position: unrestricted



X	STRUCTURE	
4A	4 Ports · 20 Watt. Coil ∅ 12.7 mm tube	

Z	OPTIONS	
N	Non-adjustable	
M	Screw-out Knob Style	

Y	OPERATION	
11	Spool 4-Way, 2-Position	

SOLENOID OPERATED VALVES (Spool 4-Way 2-Position)

Ordering Code: **ES-08W-X-Y-Z-04**

Torque 3-4 Nm

Coil EC-04W

22.2 Hex. (7/8 inch) Torque 25-35 Nm

3/4"-16UNF-2A

④

③

②

①

61

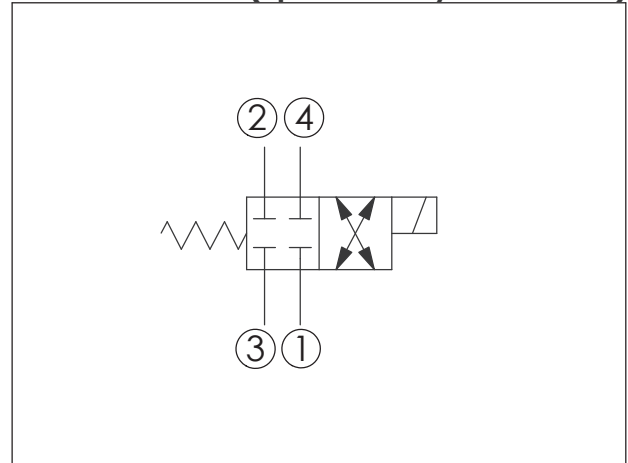
65

2

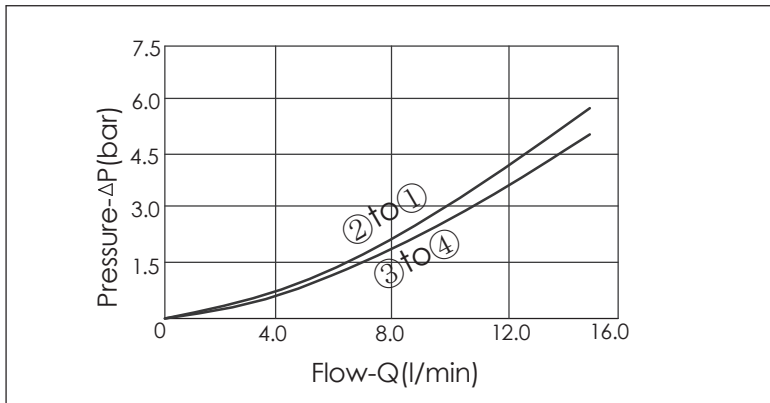
55

∅12.70

UNIT:mm


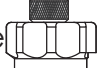


TECHNICAL DATA	
Max.Operating pressure:	240 bar
Rated flow:	15 l/min
Cavity-Tooling:	08W-4
Installation torque:	25-35 Nm
Weight:	0.13 kg
Fluids-Temperatures:	-40~120 °C
Internal Leakage:	80cc/minute max.at 240 bar with 46 cSt oil
Filtration:	25 µm nominal or better
Minimun Voltage Required:	90 % of nominal
Coils must be ordered separately	
Mounting Position:	unrestricted

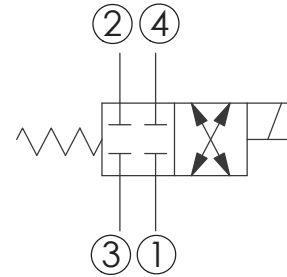
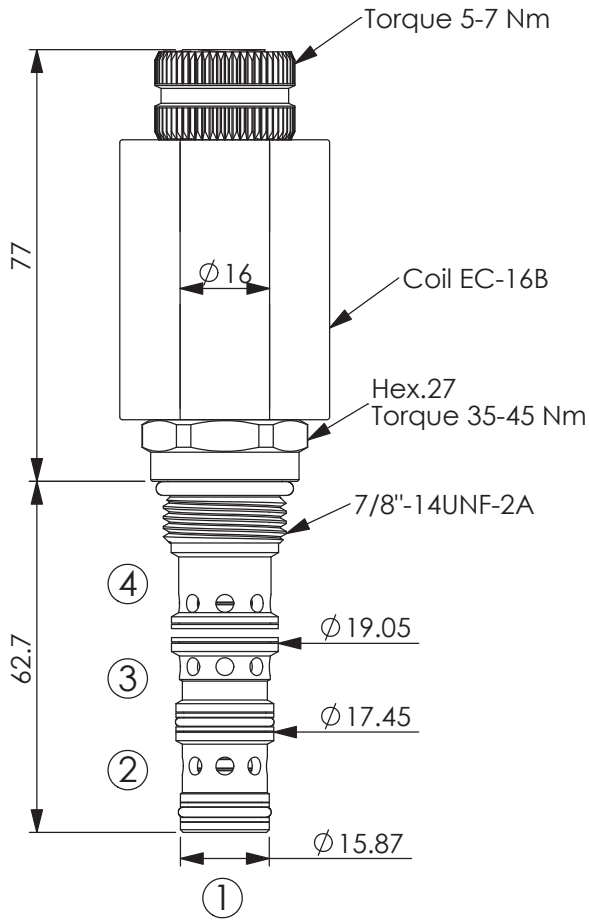


Y	OPERATION
11	Spool 4-Way, 2-Position

X	STRUCTURE
4A	4 Ports · 20 Watt. Coil

Z	OPTIONS
N	Non-adjustable 
M	Screw-out Knob Style 

Ordering Code: **ES-10W-X-Y-Z-04**



TECHNICAL DATA

Max. Operating pressure: 350 bar

Rated flow: 25 l/min

Cavity-Tooling: 10W-4

Installation torque: 44-56 Nm

Weight: 0.29 kg

Fluids-Temperatures: -40~120 °C

Internal Leakage: 80cc/minute
max.at 210 bar with 46 cSt oil

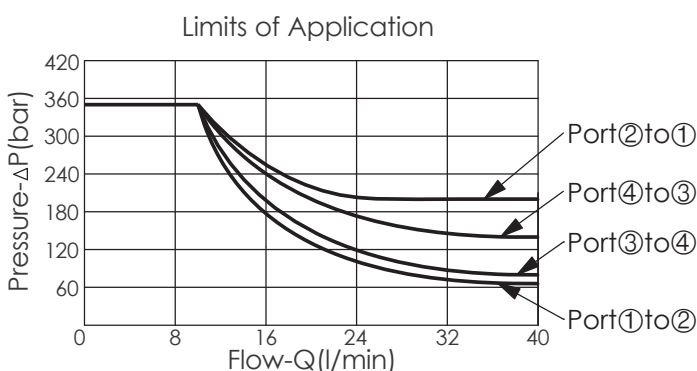
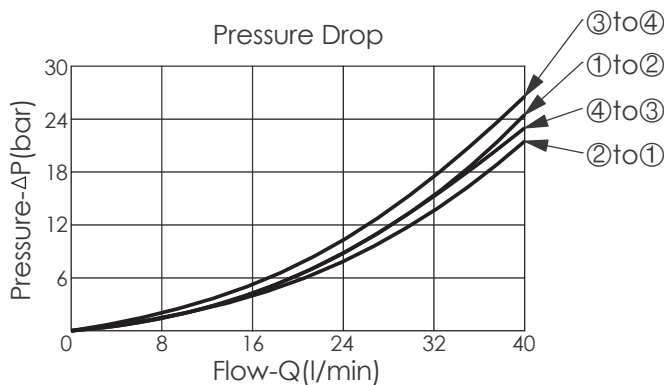
Filtration: 25 μ m nominal or better

Minimum Voltage Required:
90 % of nominal

Coils must be ordered separately

Mounting Position: unrestricted

UNIT:mm

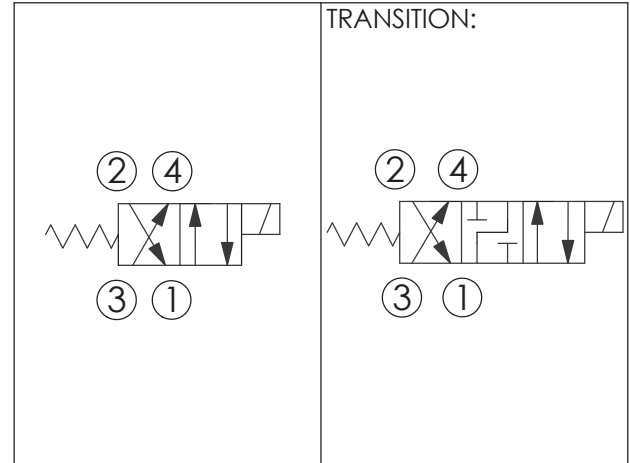
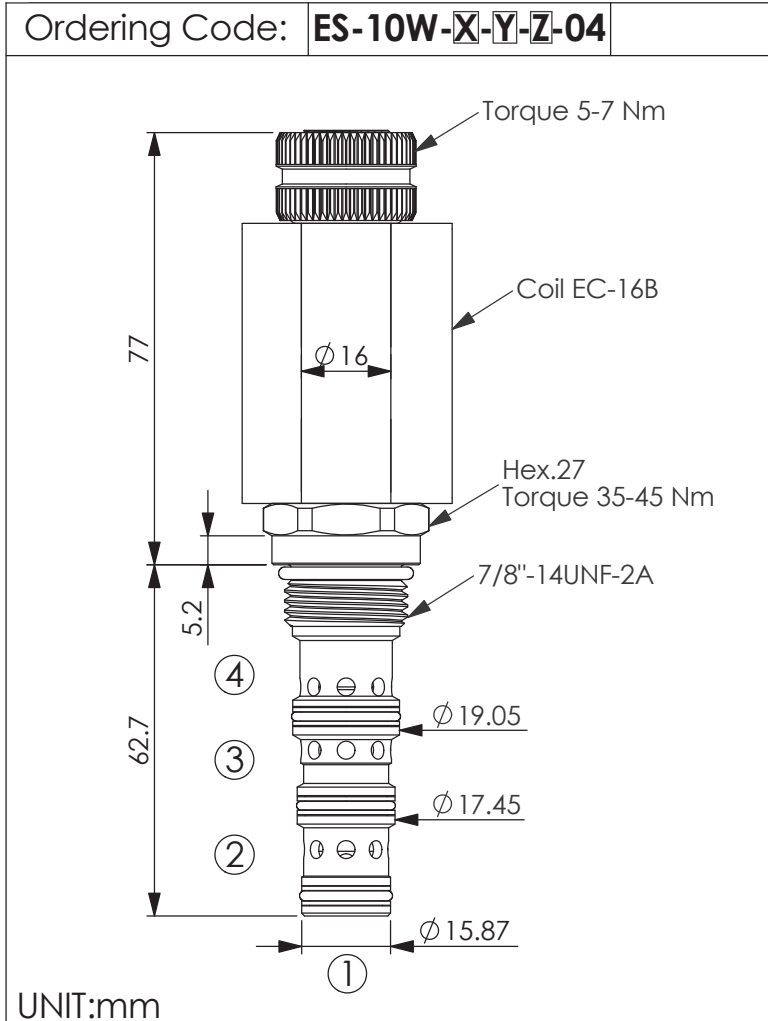


X	STRUCTURE	
4C	4 Ports - 26 Watt. Coil	ϕ 16 mm tube

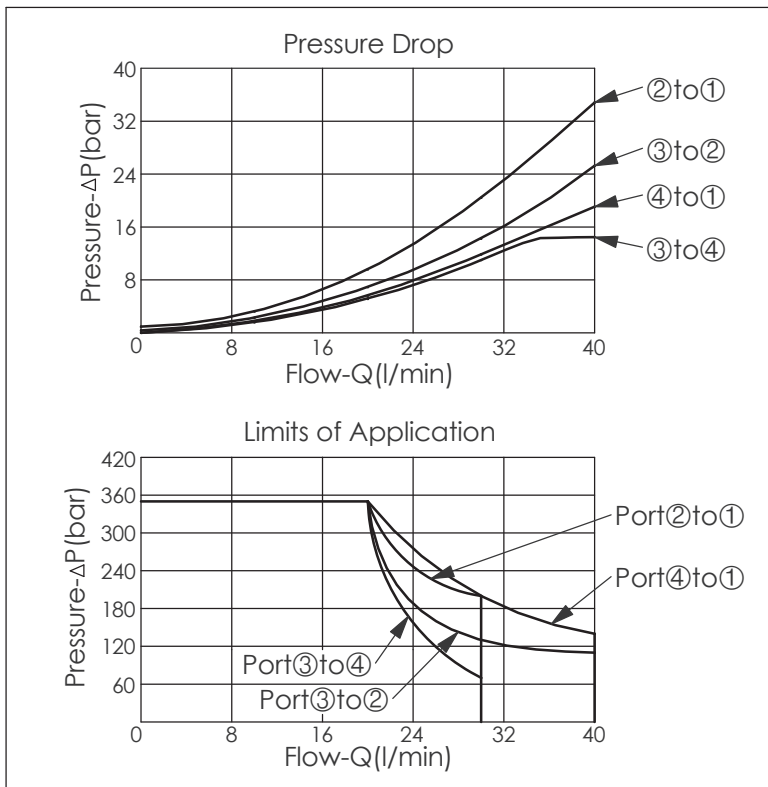
Y	OPERATION	
11	Spool 4-Way, 2-Position	

Z	OPTIONS	
N	Non-adjustable	

SOLENOID OPERATED VALVES (Spool 4-Way 2-Position)



TECHNICAL DATA	
Max.Operating pressure:	350 bar
Rated flow:	25 l/min
Cavity-Tooling:	10W-4
Installation torque:	44-56 Nm
Weight:	0.29 kg
Fluids-Temperatures:	-40~120 °C
Internal Leakage:	80cc/minute max.at 210 bar with 46 cSt oil
Filtration:	25 µm nominal or better
Minimun Voltage Required:	90 % of nominal
Coils must be ordered separately	
Mounting Position:	unrestricted



Y	OPERATION
17A	Spool 4-Way,2-Position

X	STRUCTURE
4C	4 Ports - 26 Watt. Coil Ø 16 mm tube

Z	OPTIONS
N	Non-adjustable
P	Push Style Manual Override

CENTRALA ELBLĄG

Ul. Rawska 19B
82-300 Elbląg

tel. /+48/ 55 625 51 00

fax /+48/ 55 625 51 01

Dział Handlowy

tel. /+48/ 55 625 51 51

elblag@hydropress.pl



www.hydropress.pl

ODDZIAŁ GDAŃSK

tel. /+48/ 55 625 51 21

fax /+48/ 55 625 51 22

ODDZIAŁ RUMIA

tel. /+48/ 58 679 34 15

fax /+48/ 55 625 51 25

ODDZIAŁ TYCHY

tel. /+48/ 32 787 52 88

fax /+48/ 55 625 51 38

ODDZIAŁ OLSZTYN

tel. /+48/ 89 532 01 05

fax /+48/ 89 715 21 42

ODDZIAŁ WARSZAWA

tel. /+48/ 22 468 86 97

fax /+48/ 55 625 51 32

BIURO WE WROCŁAWIU

tel. /+48/ 782 838 000

fax /+48/ 55 625 51 35

BIURO W KIELCACH

tel. /+48/ 885 995 501

fax /+48/ 55 625 51 01

BIURO W KRAKOWIE

tel. /+48/ 885 995 019

fax /+48/ 55 625 51 01

BIURO W OPOLU

tel. /+48/ 885 995 011

fax /+48/ 55 625 51 01

BIURO W BYDGOSZCZY

tel. /+48/ 790 222 771

fax /+48/ 55 625 51 01

BIURO W BIAŁYMSTOKU

tel. /+48/ 89 532 01 05

fax /+48/ 89 715 21 42

BIURO W ŁODZI

tel. /+48/ 609 221 421

fax /+48/ 89 715 21 42