

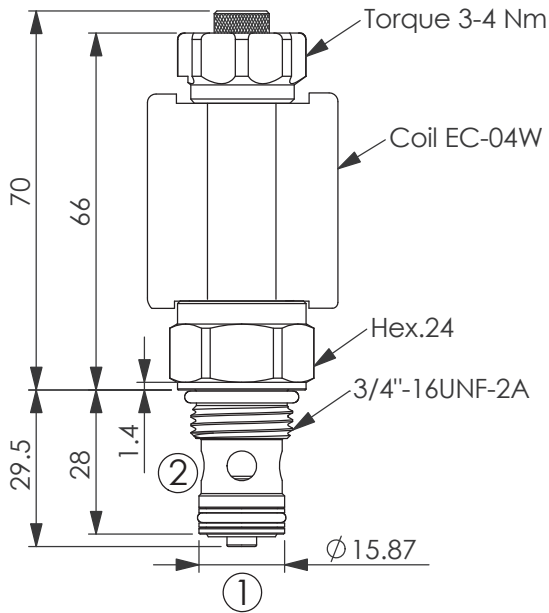


ZAWORY

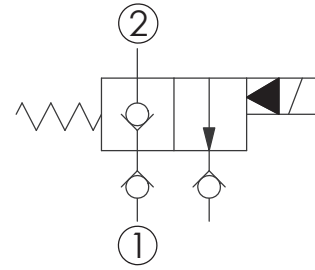
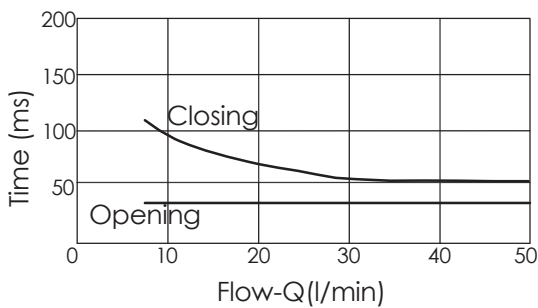
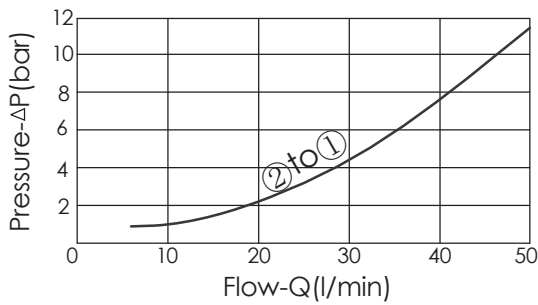
STEROWANE CEWKĄ
2-DROGOWE, DWUPOŁOŻENIOWE
DWUSTRONNIE SZCZELNE, ZAMKNIĘTE

SOLENOID OPERATED VALVES (Poppet 2-Way Normally-Closed Cartridge Style)

Ordering Code: **EP-19E-X-Y-Z-05**



UNIT:mm



TECHNICAL DATA

Max.Operating pressure: 350 bar

Rated flow: 40 l/min

Cavity-Tooling: 19E-2

Installation torque: 39-51 Nm

Weight: 0.13 kg

Fluids-Temperatures: -40~120 °C

Internal Leakage: 0.15cc/minute

(3 drops/minute) max.at 350 bar

Filtration: 25 μm nominal or better

Minimum Voltage Required:


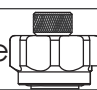
90 % of nominal

Coils must be ordered separately

Mounting Position: unrestricted

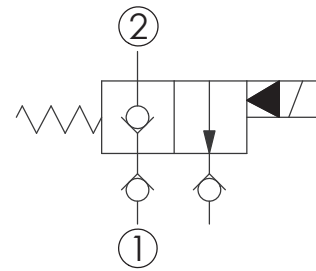
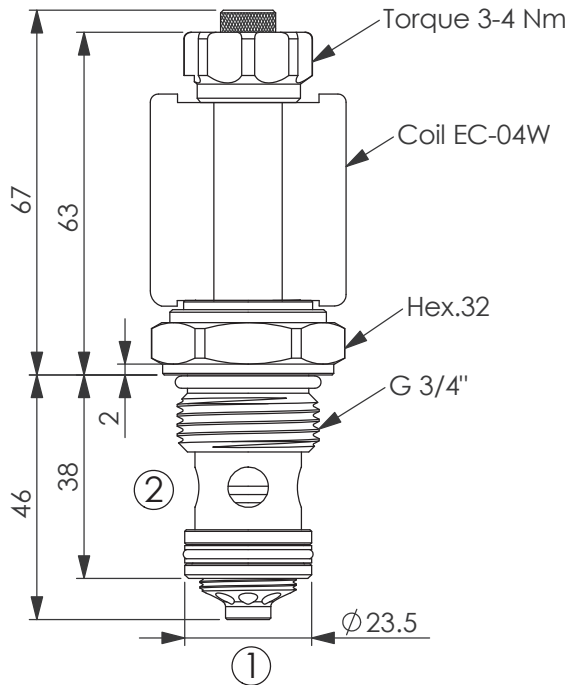
| X | STRUCTURE |
|----|-------------------------|
| 2A | 2 Ports - 20 Watt. Coil |

| Y | OPERATION |
|----|---|
| 11 | Normally-Closed Internal Reverse Check Valve |

| Z | OPTIONS |
|---|--|
| N | Non-adjustable  |
| M | Screw-out Knob Style  |

SOLENOID OPERATED VALVES (Poppet 2-Way Normally-Closed Cartridge Style)

Ordering Code: **EP-17E-X-Y-Z-05**



TECHNICAL DATA

Max. Operating pressure: 350 bar

Rated flow: 70 l/min

Cavity-Tooling: 17E-2

Installation torque: 54-66 Nm

Weight: 0.22 kg

Fluids-Temperatures: -40~120 °C

Internal Leakage: 0.15cc/minute
(3 drops/minute) max. at 350 bar

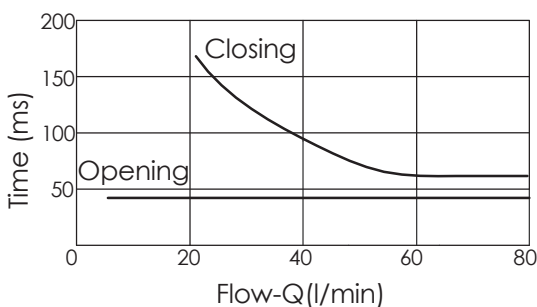
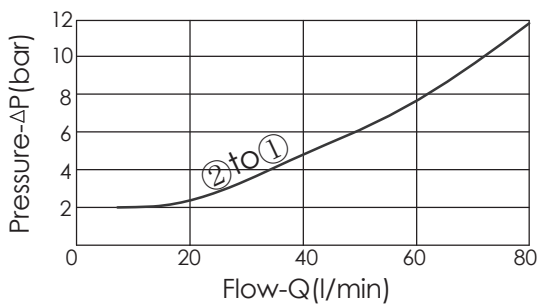
Filtration: 25 µm nominal or better

Minimum Voltage Required:
90 % of nominal

Coils must be ordered separately

Mounting Position: unrestricted

UNIT:mm

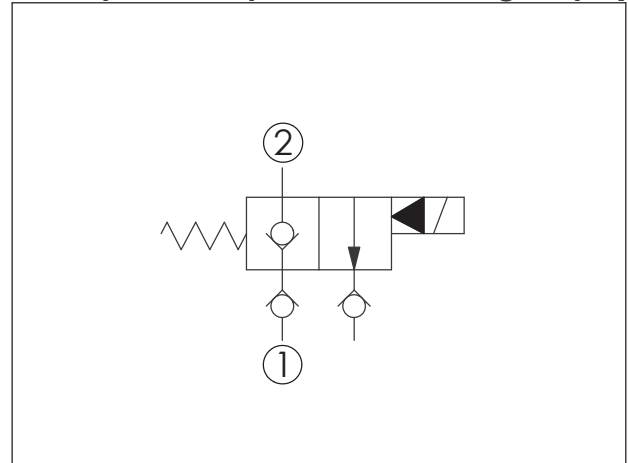
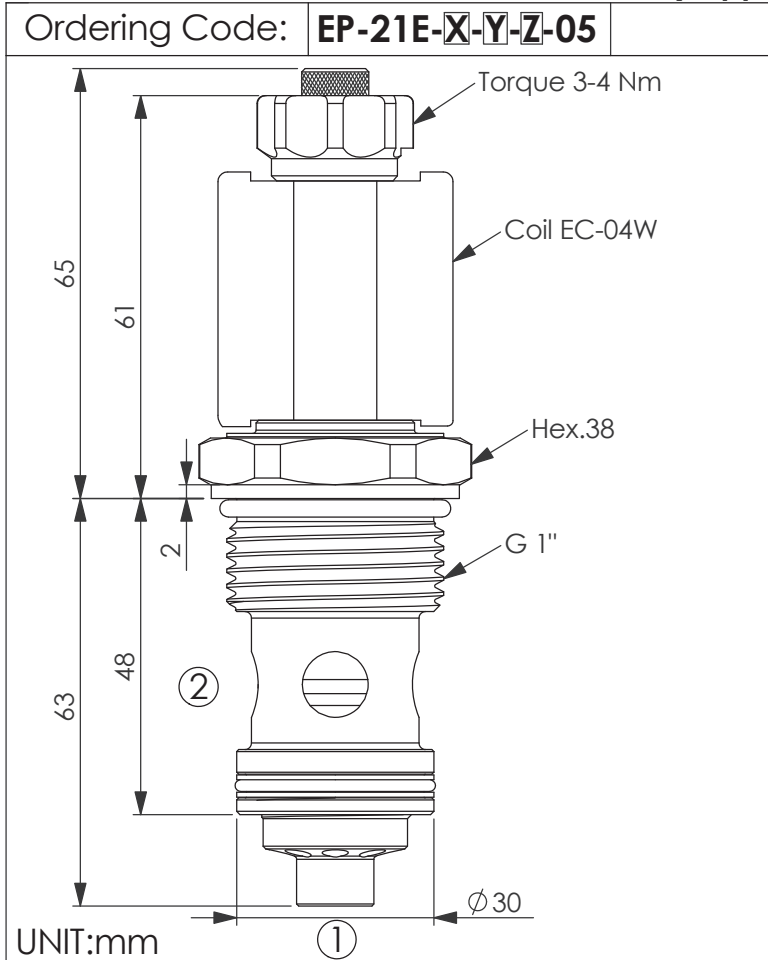


| X | STRUCTURE | |
|----|-----------|---------------|
| 2A | 2 Ports | 20 Watt. Coil |

| Y | OPERATION | |
|----|---|--|
| 11 | Normally-Closed Internal Reverse Check Valve | |

| Z | OPTIONS | |
|---|----------------------|--|
| N | Non-adjustable | |
| M | Screw-out Knob Style | |

SOLENOID OPERATED VALVES (Poppet 2-Way Normally-Closed Cartridge Style)



TECHNICAL DATA

Max.Operating pressure: 350 bar

Rated flow: 150 l/min

Cavity-Tooling: 21E-2

Installation torque: 80-100 Nm

Weight: 0.35 kg

Fluids-Temperatures: -40~120 °C

Internal Leakage: 0.15cc/minute

(3 drops/minute) max.at 350 bar

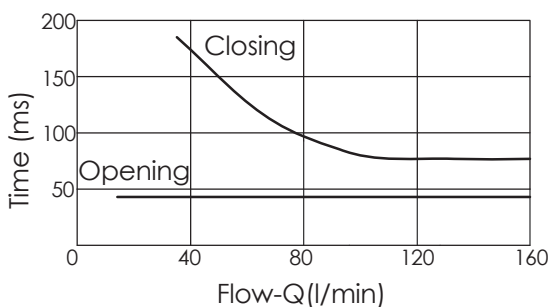
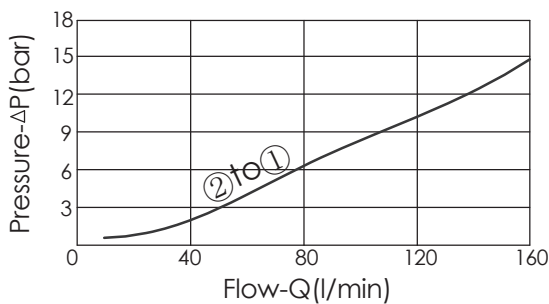
Filtration: 25 µm nominal or better

Minimum Voltage Required:

90 % of nominal

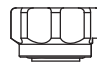
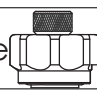
Coils must be ordered separately

Mounting Position: unrestricted



| X | STRUCTURE |
|----|-------------------------|
| 2A | 2 Ports · 20 Watt. Coil |

| Y | OPERATION |
|----|---|
| 11 | Normally-Closed Internal Reverse Check Valve |

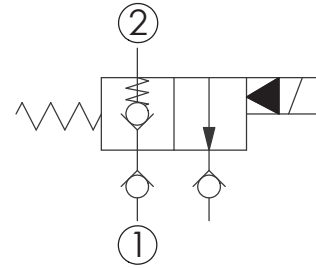
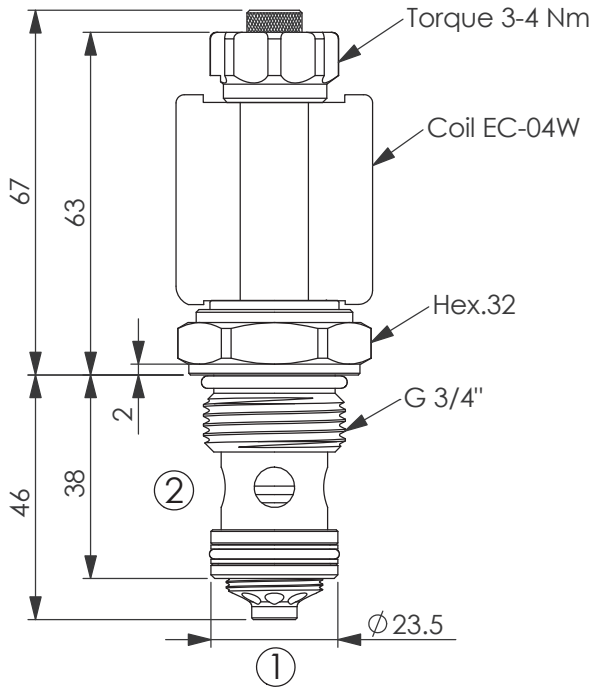
| Z | OPTIONS |
|---|--|
| N | Non-adjustable  |
| M | Screw-out Knob Style  |

SOLENOID OPERATED VALVES

(Poppet 2-Way Normally-Closed Cartridge Style With Extra Spring)

Ordering Code: **EP-17E-X-Y-Z-85**

This design allows faster response times with very small flow or even virtually zero flow.



TECHNICAL DATA

Max. Operating pressure: 350 bar

Rated flow: 70 l/min

Cavity-Tooling: 17E-2

Installation torque: 54-66 Nm

Weight: 0.22 kg

Fluids-Temperatures: -40~120 °C

Internal Leakage: 0.15cc/minute
(3 drops/minute) max. at 350 bar

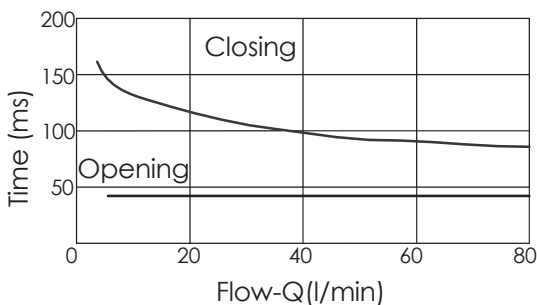
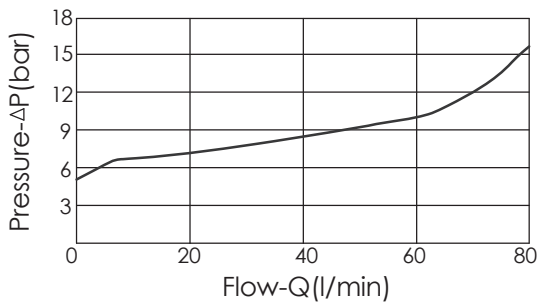
Filtration: 25 µm nominal or better

Minimum Voltage Required:
90 % of nominal

Coils must be ordered separately

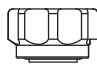
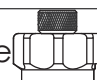
Mounting Position: unrestricted

UNIT:mm



| X | STRUCTURE |
|----|-------------------------|
| 2A | 2 Ports - 20 Watt. Coil |

| Y | OPERATION |
|----|---|
| 11 | Normally-Closed Internal Reverse Check Valve |

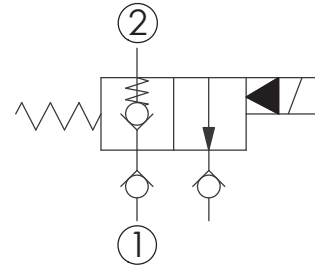
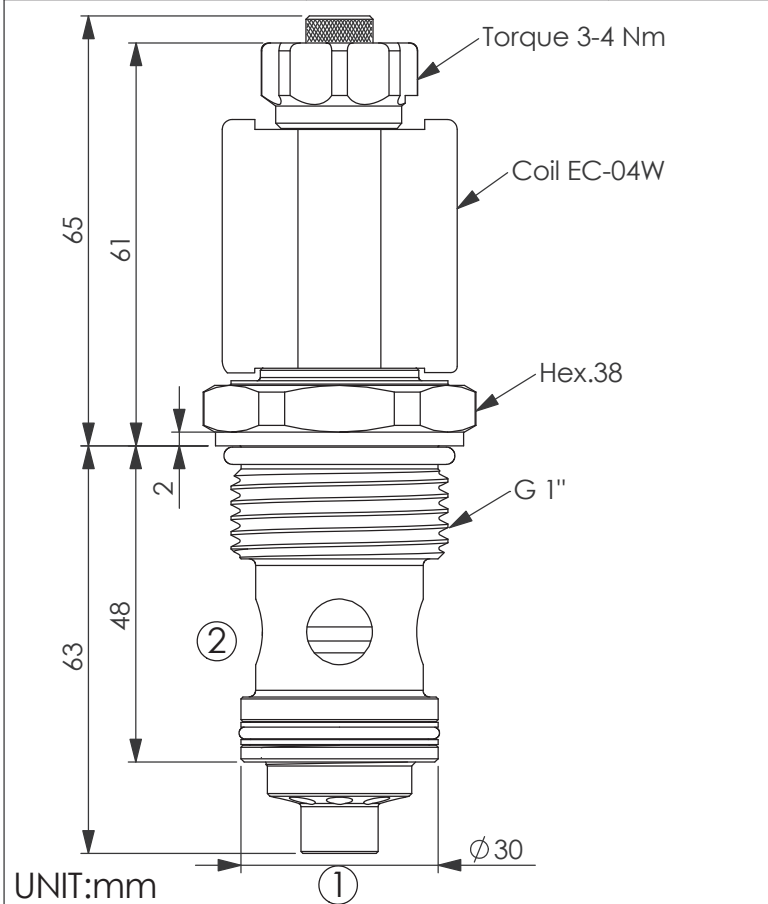
| Z | OPTIONS |
|---|--|
| N | Non-adjustable  |
| M | Screw-out Knob Style  |

SOLENOID OPERATED VALVES

(Poppet 2-Way Normally-Closed Cartridge Style With Extra Spring)

Ordering Code: **EP-21E-X-Y-Z-85**

This design allows faster response times with very small flow or even virtually zero flow.



TECHNICAL DATA

Max.Operating pressure: 350 bar

Rated flow: 150 l/min

Cavity-Tooling: 21E-2

Installation torque: 80-100 Nm

Weight: 0.35 kg

Fluids-Temperatures: -40~120 °C

Internal Leakage: 0.15cc/minute

(3 drops/minute) max.at 350 bar

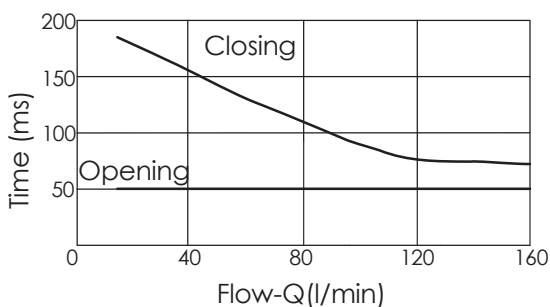
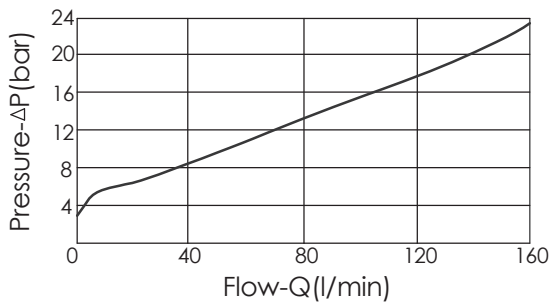
Filtration: 25 μ m nominal or better

Minimum Voltage Required:

90 % of nominal

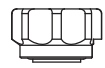
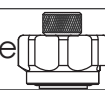
Coils must be ordered separately

Mounting Position: unrestricted



| X | STRUCTURE |
|----|-------------------------|
| 2A | 2 Ports · 20 Watt. Coil |

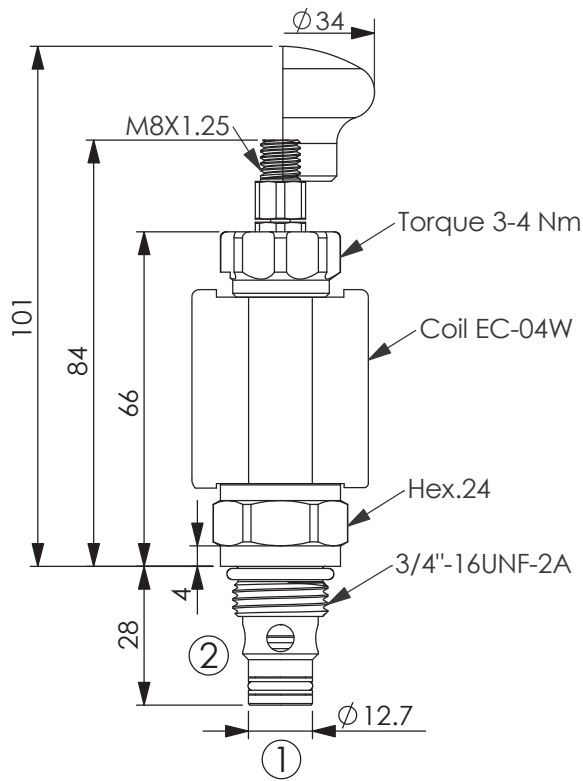
| Y | OPERATION |
|----|---|
| 11 | Normally-Closed Internal Reverse Check Valve |

| Z | OPTIONS |
|---|--|
| N | Non-adjustable  |
| M | Screw-out Knob Style  |

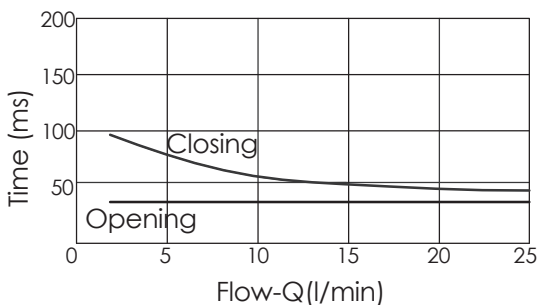
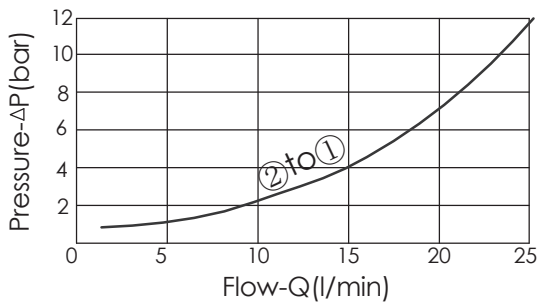
SOLENOID OPERATED VALVES

(Poppet 2-Way Double Lock Normally-Closed Cartridge Style)

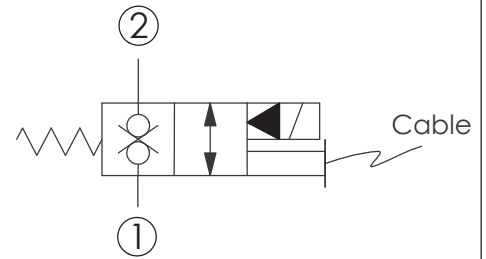
Ordering Code: **EP-08W-X-Y-Z-05**



UNIT:mm



IMPORTANT:Maximum Operating Pressure must never be exceeded, since this valve tends to open at pressures over 300 bar.



TECHNICAL DATA

Max.Operating pressure: 250 bar

Rated flow: 20 l/min

Cavity-Tooling: 08W-2

Installation torque: 39-51 Nm

Weight: 0.13 kg

Fluids-Temperatures: -40~120 °C

Internal Leakage: 0.15cc/minute
(3 drops/minute) max.at 250 bar

Filtration: 25 μm nominal or better

Minimum Voltage Required:
90 % of nominal

Coils must be ordered separately

Mounting Position: unrestricted

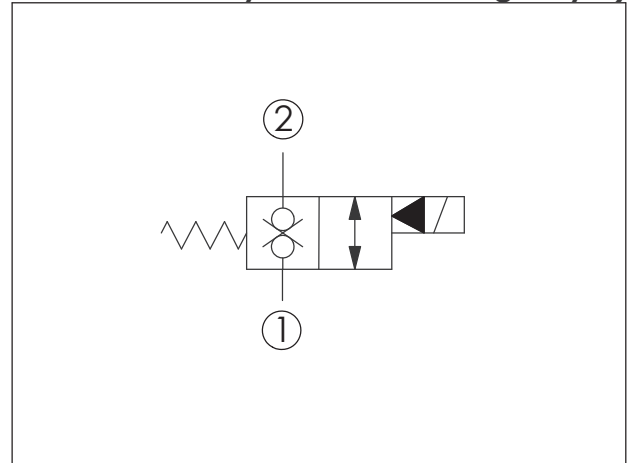
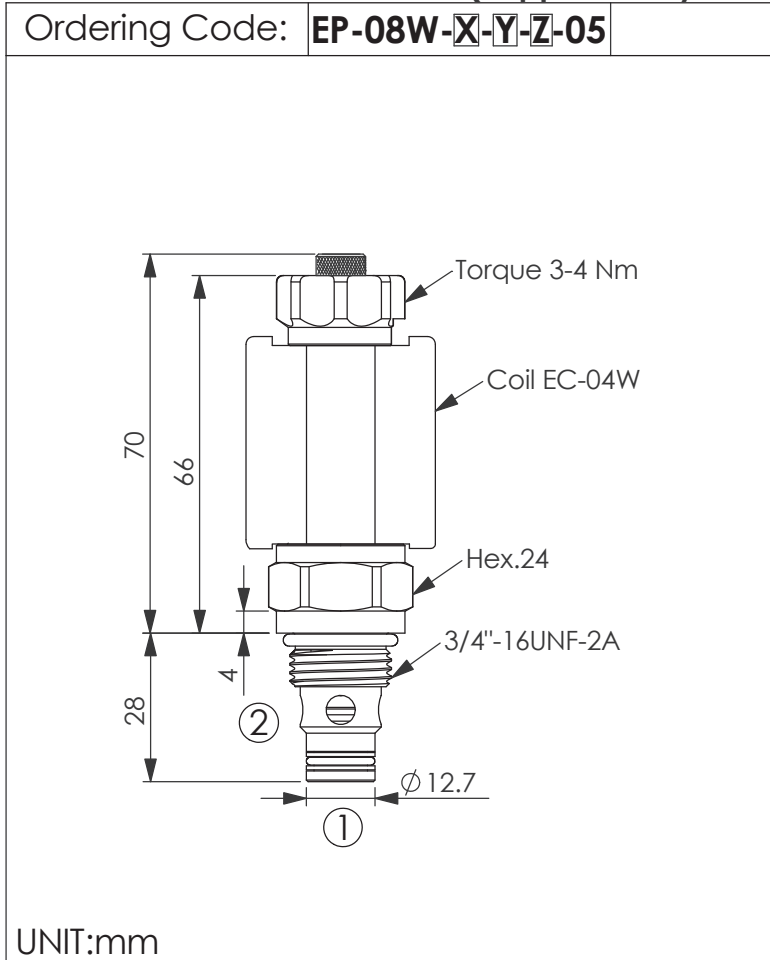
| X | STRUCTURE | |
|----|---|--|
| 2A | 2 Ports - 20 Watt. Coil Ø 12.7 mm tube | |

| Y | OPERATION | |
|----|-----------------------------|--|
| 31 | Normally-Closed Double Lock | |

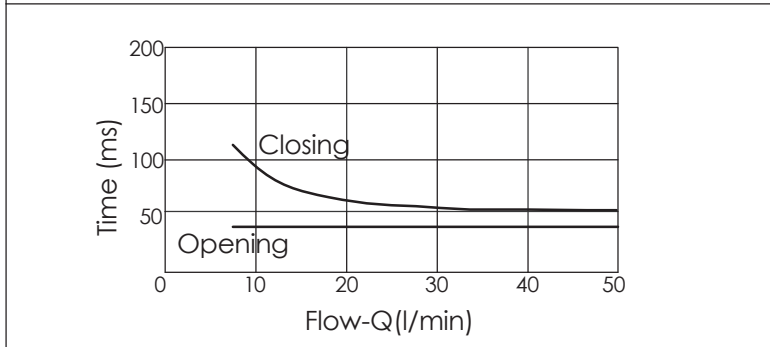
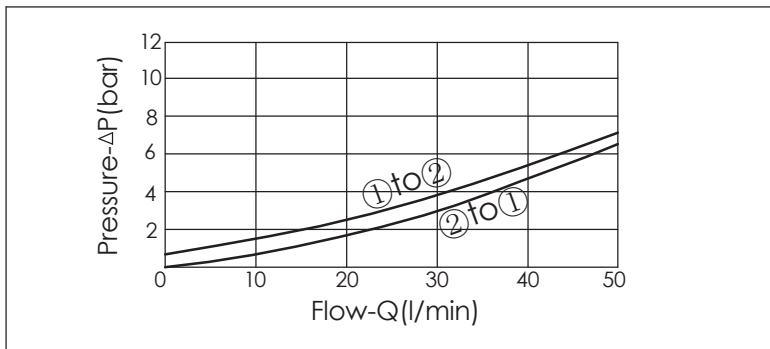
| Z | OPTIONS | |
|---|--------------------------------|--|
| L | PULL STYPE (CABLE OPERATED) | |
| H | PULL STYPE (HAND OPERATED) | |

SOLENOID OPERATED VALVES

(Poppet 2-Way Double Lock Normally-Closed Cartridge Style)

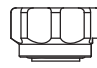
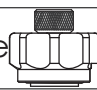


| TECHNICAL DATA | |
|----------------------------------|--|
| Max.Operating pressure: | 350 bar |
| Rated flow: | 40 l/min |
| Cavity-Tooling: | 08W-2 |
| Installation torque: | 39-51 Nm |
| Weight: | 0.13 kg |
| Fluids-Temperatures: | -40~120 °C |
| Internal Leakage: | 0.15cc/minute (3 drops/minute) max.at 350 bar |
| Filtration: | 25 µm nominal or better |
| Minimun Voltage Required: | 90 % of nominal |
| Coils must be ordered separately | |
| Mounting Position: | unrestricted |



| Y | OPERATION |
|----|-----------------------------|
| 31 | Normally-Closed Double Lock |

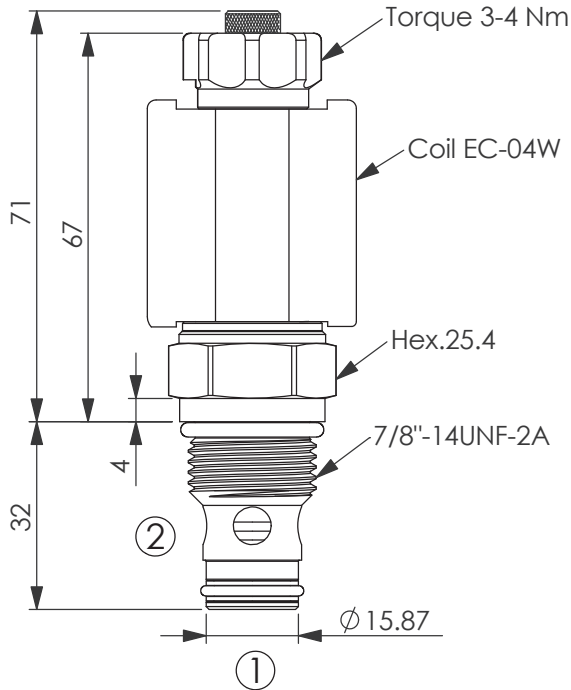
| X | STRUCTURE |
|----|-------------------------|
| 2A | 2 Ports · 20 Watt. Coil |

| Z | OPTIONS |
|---|--|
| N | Non-adjustable  |
| M | Screw-out Knob Style  |

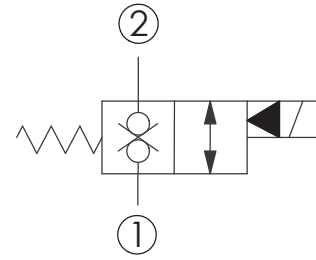
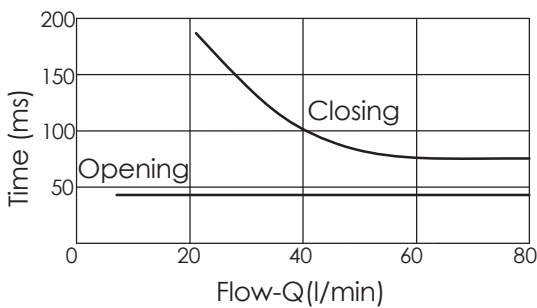
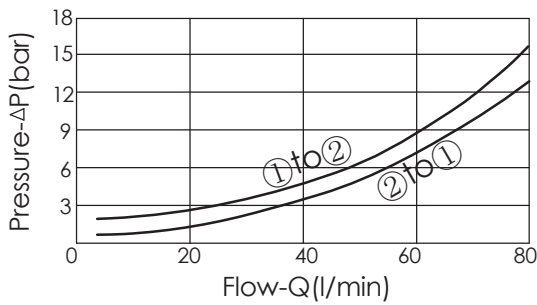
SOLENOID OPERATED VALVES

(Poppet 2-Way Double Lock Normally-Closed Cartridge Style)

Ordering Code: **EP-10W-X-Y-Z-05**



UNIT:mm



TECHNICAL DATA

Max. Operating pressure: 350 bar

Rated flow: 70 l/min

Cavity-Tooling: 10W-2

Installation torque: 44-56 Nm

Weight: 0.16 kg

Fluids-Temperatures: -40~120 °C

Internal Leakage: 0.15cc/minute
(3 drops/minute) max.at 350 bar

Filtration: 25 µm nominal or better

Minimum Voltage Required:
90 % of nominal

Coils must be ordered separately

Mounting Position: unrestricted

X STRUCTURE

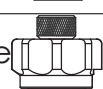
2A 2 Ports - 20 Watt. Coil

Z OPTIONS

N Non-adjustable



M Screw-out Knob Style



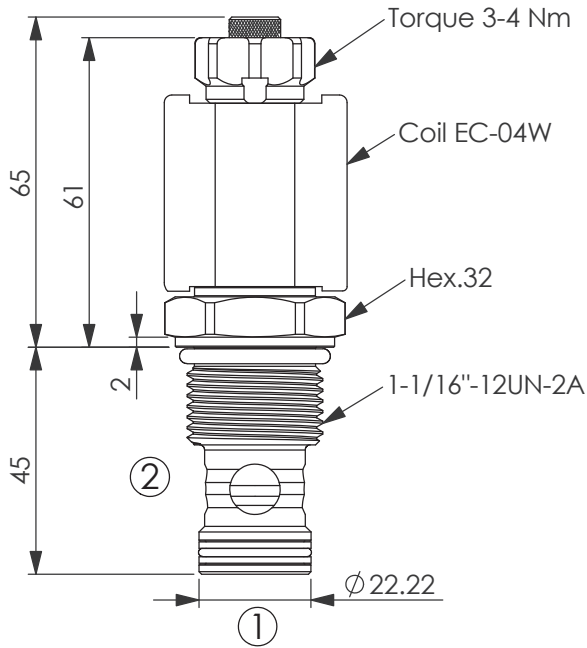
Y OPERATION

31 Normally-Closed Double Lock

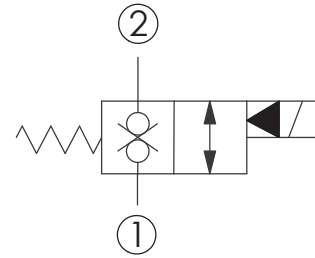
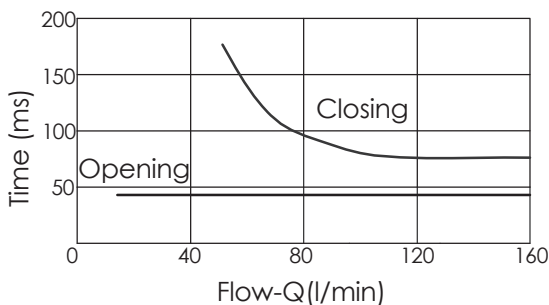
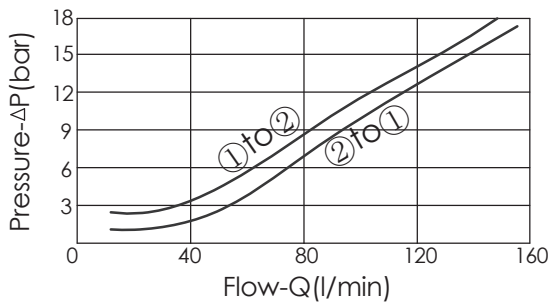
SOLENOID OPERATED VALVES

(Poppet 2-Way Double Lock Normally-Closed Cartridge Style)

Ordering Code: **EP-12W-X-Y-Z-05** .80



UNIT:mm



TECHNICAL DATA

Max.Operating pressure: 350 bar

Rated flow: 150 l/min

Cavity-Tooling: 12W-2

Installation torque: 54-66 Nm

Weight: 0.23 kg

Fluids-Temperatures: -40~120 °C

Internal Leakage: 0.15cc/minute

(3 drops/minute) max.at 350 bar

Filtration: 25 μm nominal or better

Minimum Voltage Required:

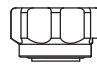
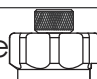
90 % of nominal

Coils must be ordered separately

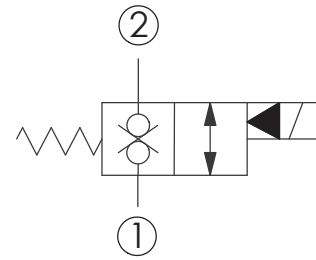
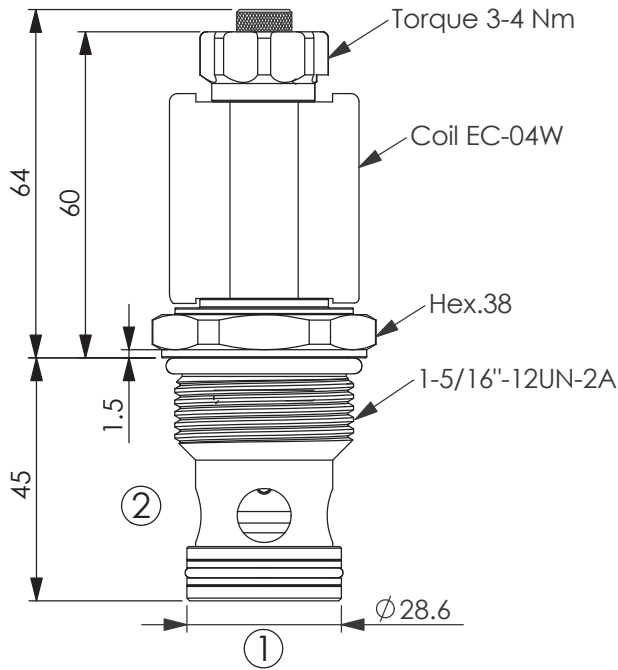
Mounting Position: unrestricted

| X | STRUCTURE | |
|----|-----------|---------------|
| 2A | 2 Ports | 20 Watt. Coil |

| Y | OPERATION | |
|----|-----------------------------|--|
| 31 | Normally-Closed Double Lock | |

| Z | OPTIONS | |
|---|----------------------|---|
| N | Non-adjustable |  |
| M | Screw-out Knob Style |  |

Ordering Code: **EP-16W-X-Y-Z-05**



TECHNICAL DATA

Max. Operating pressure: 350 bar

Rated flow: 150 l/min

Cavity-Tooling: 16W-2

Installation torque: 80-100 Nm

Weight: 0.35 kg

Fluids-Temperatures: -40~120 °C

Internal Leakage: 0.15cc/minute
(3 drops/minute) max. at 350 bar

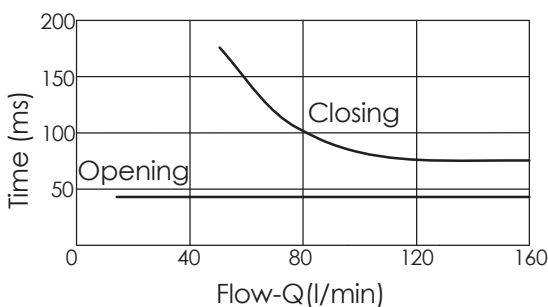
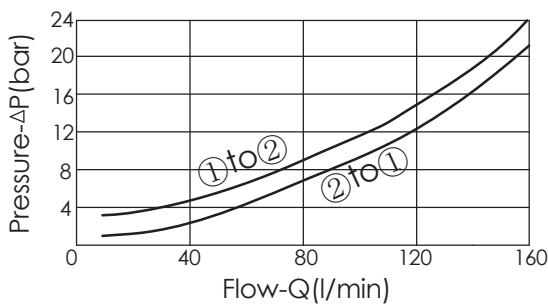
Filtration: 25 µm nominal or better

Minimum Voltage Required:
90 % of nominal

Coils must be ordered separately

Mounting Position: unrestricted

UNIT:mm



X STRUCTURE

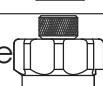
2A 2 Ports - 20 Watt. Coil

Z OPTIONS

N Non-adjustable



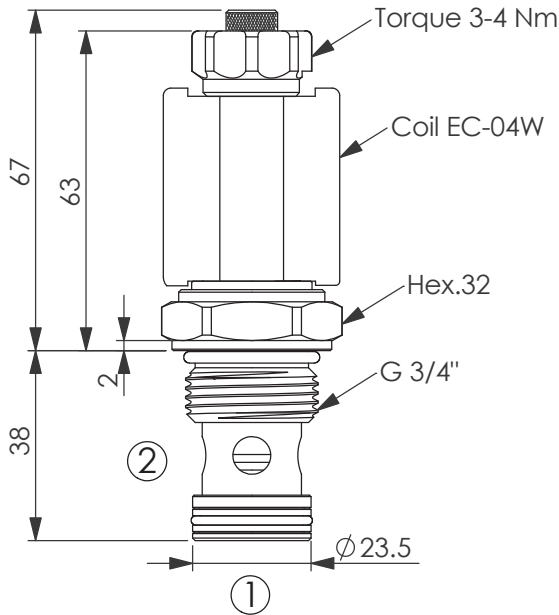
M Screw-out Knob Style



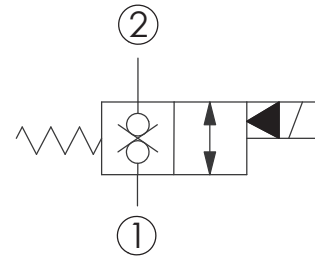
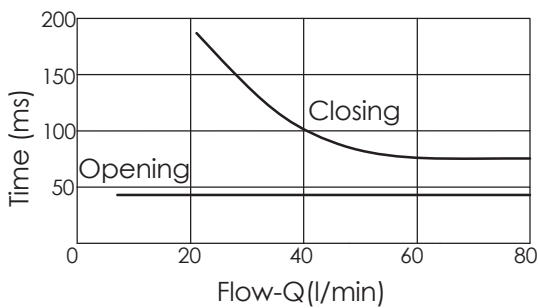
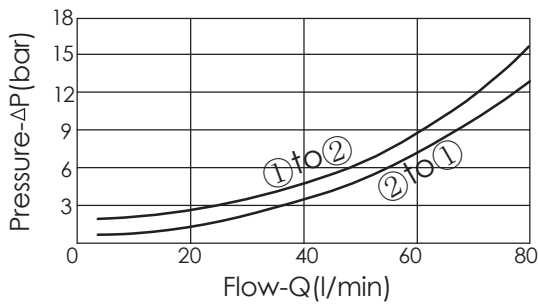
Y OPERATION

31 Normally-Closed Double Lock

Ordering Code: **EP-17E-X-Y-Z-05**



UNIT:mm



TECHNICAL DATA

Max.Operating pressure: 350 bar

Rated flow: 70 l/min

Cavity-Tooling: 17E-2

Installation torque: 54-66 Nm

Weight: 0.22 kg

Fluids-Temperatures: -40~120 °C

Internal Leakage: 0.15cc/minute

(3 drops/minute) max.at 350 bar

Filtration: 25 µm nominal or better

Minimum Voltage Required:


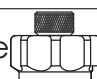
90 % of nominal

Coils must be ordered separately

Mounting Position: unrestricted

| X | STRUCTURE |
|----|-------------------------|
| 2A | 2 Ports · 20 Watt. Coil |

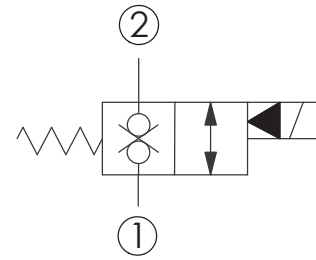
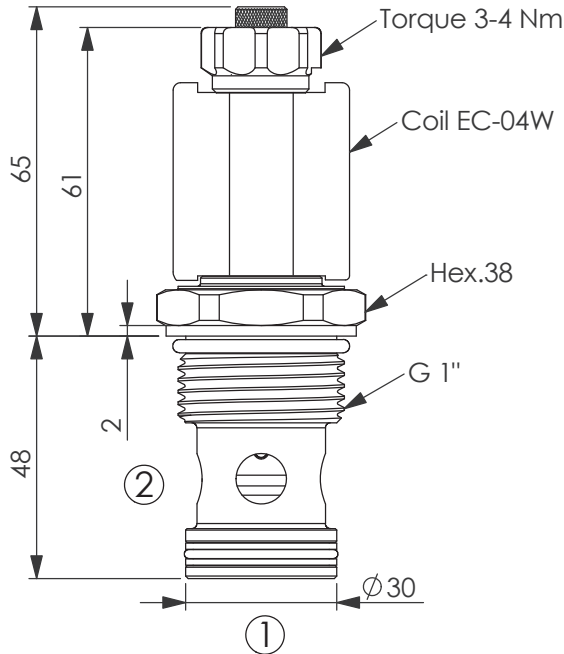
| Y | OPERATION |
|----|-----------------------------|
| 31 | Normally-Closed Double Lock |

| Z | OPTIONS |
|---|--|
| N | Non-adjustable  |
| M | Screw-out Knob Style  |

SOLENOID OPERATED VALVES

(Poppet 2-Way Double Lock Normally-Closed Cartridge Style)

Ordering Code: **EP-21E-X-Y-Z-05**



TECHNICAL DATA

Max. Operating pressure: 350 bar

Rated flow: 150 l/min

Cavity-Tooling: 21E-2

Installation torque: 80-100 Nm

Weight: 0.35 kg

Fluids-Temperatures: -40~120 °C

Internal Leakage: 0.15cc/minute

(3 drops/minute) max.at 350 bar

Filtration: 25 µm nominal or better

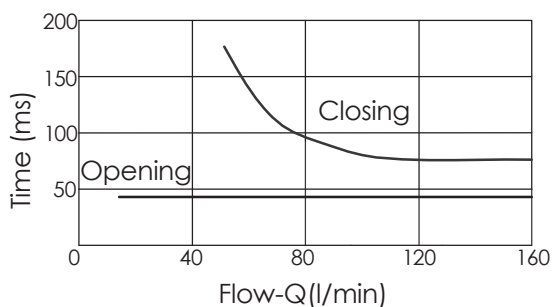
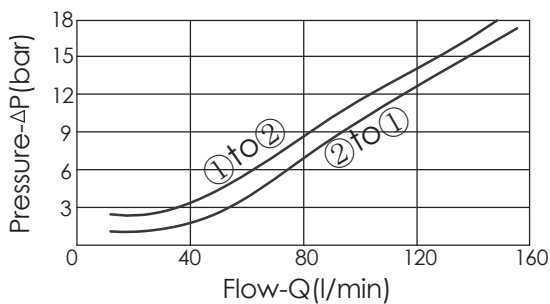
Minimum Voltage Required:

90 % of nominal

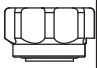
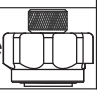
Coils must be ordered separately

Mounting Position: unrestricted

UNIT:mm



| X | STRUCTURE |
|----|-------------------------|
| 2A | 2 Ports - 20 Watt. Coil |

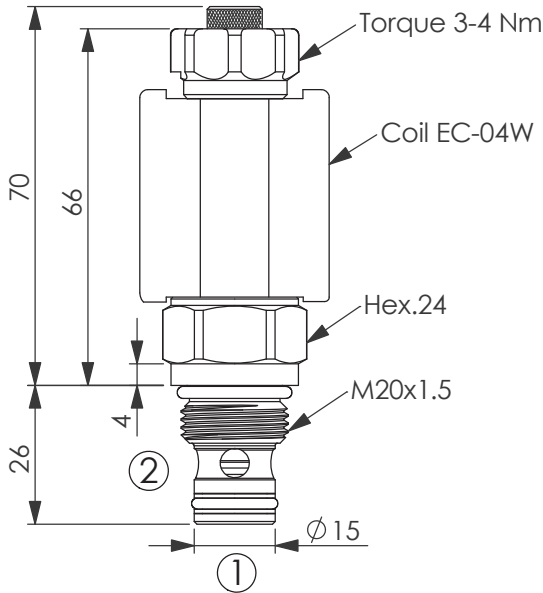
| Z | OPTIONS |
|---|--|
| N | Non-adjustable  |
| M | Screw-out Knob Style  |

| Y | OPERATION |
|----|-----------------------------|
| 31 | Normally-Closed Double Lock |

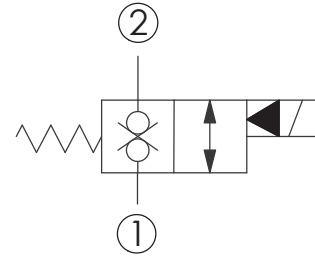
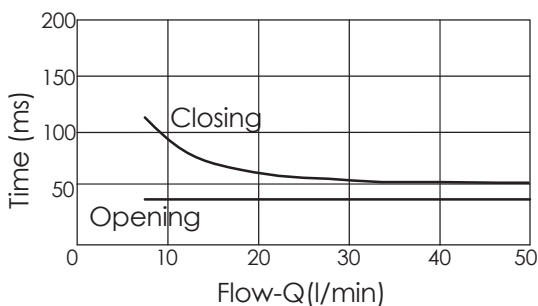
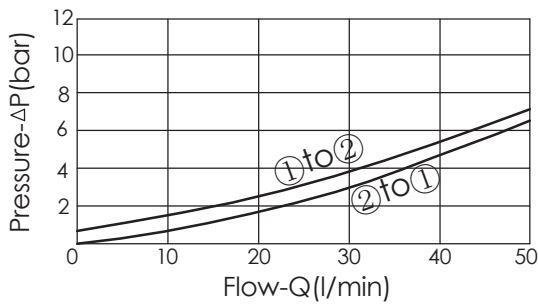
SOLENOID OPERATED VALVES

(Poppet 2-Way Double Lock Normally-Closed Cartridge Style)

Ordering Code: **EP-20M-X-Y-Z-05**



UNIT:mm



TECHNICAL DATA

Max.Operating pressure: 350 bar

Rated flow: 40 l/min

Cavity-Tooling: 20M-2

Installation torque: 39-51 Nm

Weight: 0.13 kg

Fluids-Temperatures: -40~120 °C

Internal Leakage: 0.15cc/minute

(3 drops/minute) max.at 350 bar

Filtration: 25 µm nominal or better

Minimum Voltage Required:

90 % of nominal

Coils must be ordered separately

Mounting Position: unrestricted

| X | STRUCTURE | |
|----|-----------|---------------|
| 2A | 2 Ports | 20 Watt. Coil |

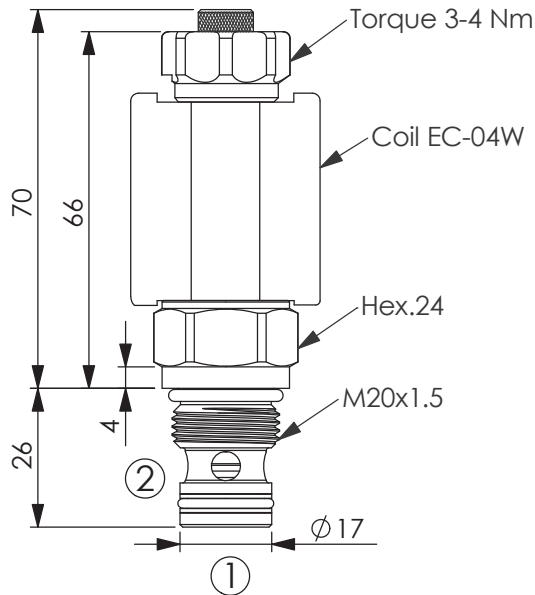
| Y | OPERATION | |
|----|-----------------------------|--|
| 31 | Normally-Closed Double Lock | |

| Z | OPTIONS | |
|---|----------------------|--|
| N | Non-adjustable | |
| M | Screw-out Knob Style | |

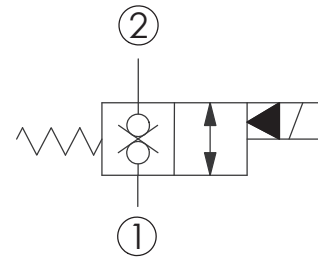
SOLENOID OPERATED VALVES

(Poppet 2-Way Double Lock Normally-Closed Cartridge Style)

Ordering Code: **EP-20MB-X-Y-Z-05**



UNIT:mm



TECHNICAL DATA

Max.Operating pressure: 350 bar

Rated flow: 40 l/min

Cavity-Tooling: 20MB-2

Installation torque: 39-51 Nm

Weight: 0.13 kg

Fluids-Temperatures: -40~120 °C

Internal Leakage: 0.15cc/minute

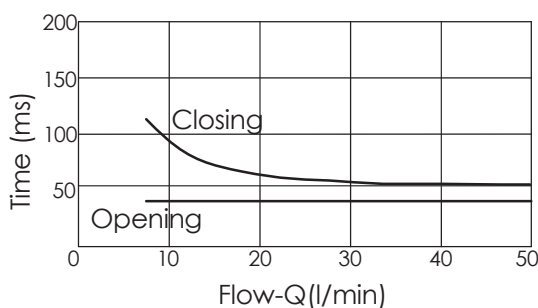
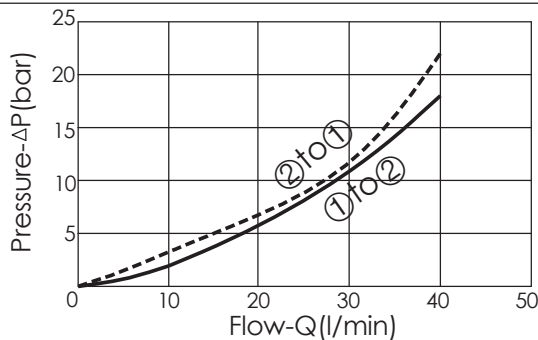
(3 drops/minute) max.at 350 bar

Filtration: 25 µm nominal or better

Minimum Voltage Required:
90 % of nominal

Coils must be ordered separately

Mounting Position: unrestricted



| X | STRUCTURE | |
|----|-------------------------|--|
| 2A | 2 Ports · 20 Watt. Coil | |

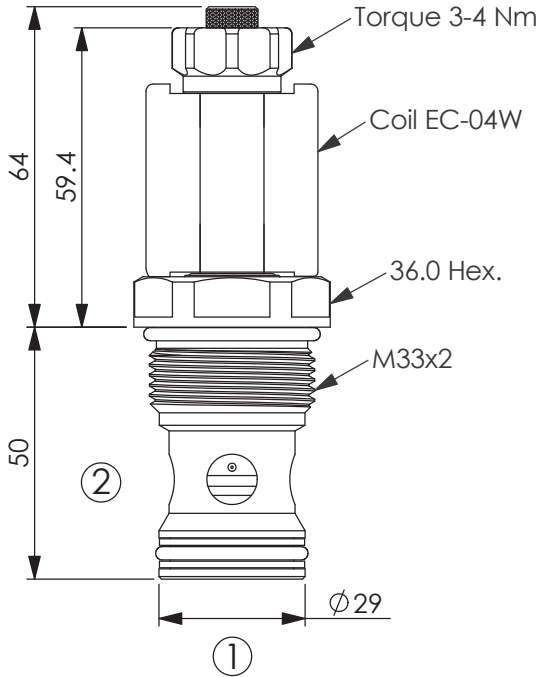
| Z | OPTIONS | |
|---|----------------------|--|
| N | Non-adjustable | |
| M | Screw-out Knob Style | |

| Y | OPERATION | |
|----|-----------------------------|--|
| 31 | Normally-Closed Double Lock | |

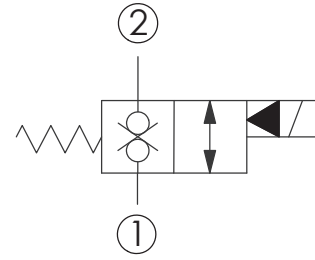
SOLENOID OPERATED VALVES

(Poppet 2-Way Double Lock Normally-Closed Cartridge Style)

Ordering Code: **EP-33MC-X-Y-Z-05**



UNIT:mm



TECHNICAL DATA

Max.Operating pressure: 350 bar

Rated flow: 150 l/min

Cavity-Tooling: 33MC-2

Installation torque: 80-100 Nm

Weight: 0.32 kg

Fluids-Temperatures: -40~120 °C

Internal Leakage: 0.15cc/minute

(3 drops/minute) max.at 350 bar

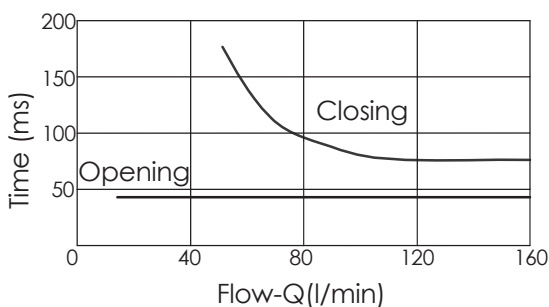
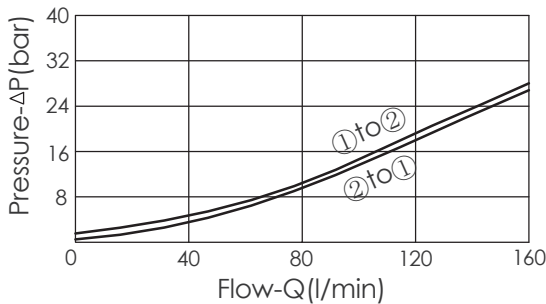
Filtration: 25 μm nominal or better

Minimum Voltage Required:

90 % of nominal

Coils must be ordered separately

Mounting Position: unrestricted

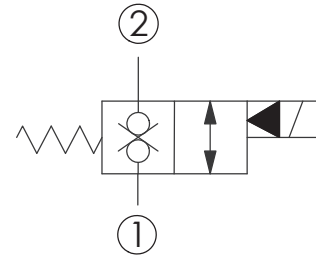
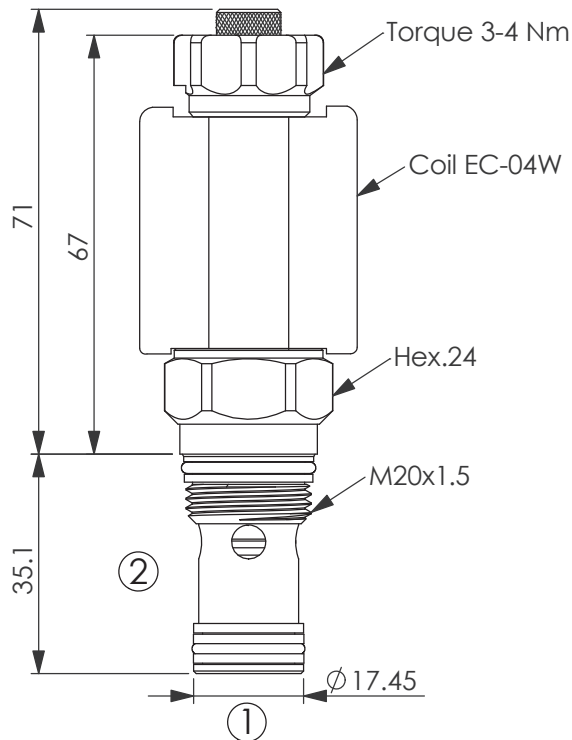


| X | STRUCTURE | |
|----|---|--|
| 2A | 2 Ports · 20 Watt. Coil ϕ 12.7 mm tube | |

| Y | OPERATION | |
|----|-----------------------------|--|
| 31 | Normally-Closed Double Lock | |

| Z | OPTIONS | |
|---|----------------------|--|
| N | Non-adjustable | |
| M | Screw-out Knob Style | |

Ordering Code: **EP-13A-X-Y-Z-05**



TECHNICAL DATA

Max. Operating pressure: 350 bar

Rated flow: 40 l/min

Cavity-Tooling: 13A-2

Installation torque: 25-35 Nm

Weight: 0.14 kg

Fluids-Temperatures: -40~120 °C

Internal Leakage: 0.15cc/minute
(3 drops/minute) max. at 350 bar

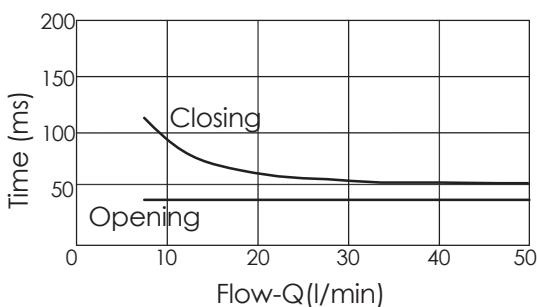
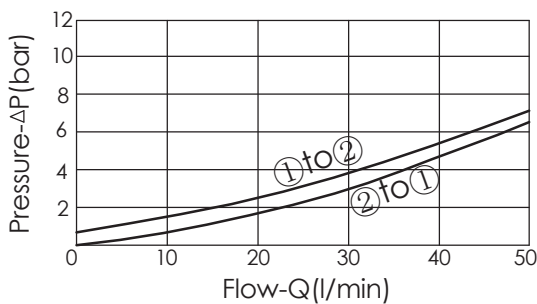
Filtration: 25 µm nominal or better

Minimum Voltage Required:
90 % of nominal

Coils must be ordered separately

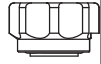
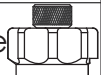
Mounting Position: unrestricted

UNIT:mm



| X | STRUCTURE | |
|----|-----------|---------------|
| 2A | 2 Ports | 20 Watt. Coil |

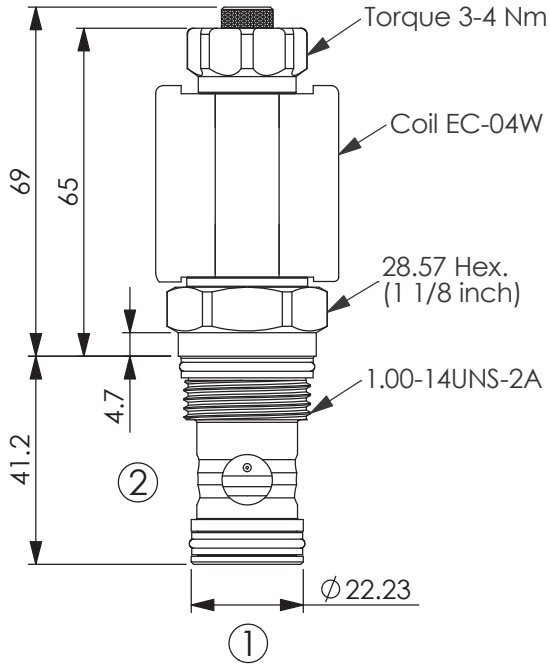
| Y | OPERATION | |
|----|-----------------------------|--|
| 31 | Normally-Closed Double Lock | |

| Z | OPTIONS | |
|---|----------------------|---|
| N | Non-adjustable |  |
| M | Screw-out Knob Style |  |

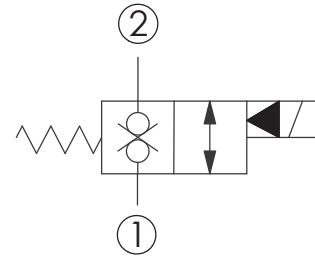
SOLENOID OPERATED VALVES

(Poppet 2-Way Double Lock Normally-Closed Cartridge Style)

Ordering Code: **EP-5A-X-Y-Z-05**



UNIT:mm



TECHNICAL DATA

Max.Operating pressure: 350 bar

Rated flow: 120 l/min

Cavity-Tooling: 5A-2

Installation torque: 60-70 Nm

Weight: 0.20 kg

Fluids-Temperatures: -40~120 °C

Internal Leakage: 0.15cc/minute

(3 drops/minute) max.at 350 bar

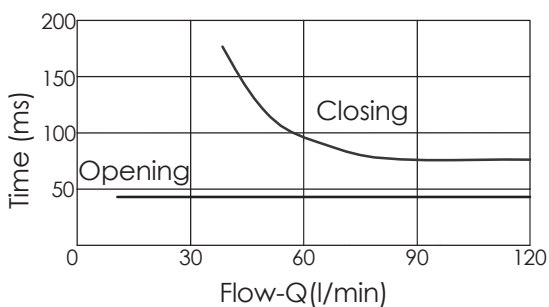
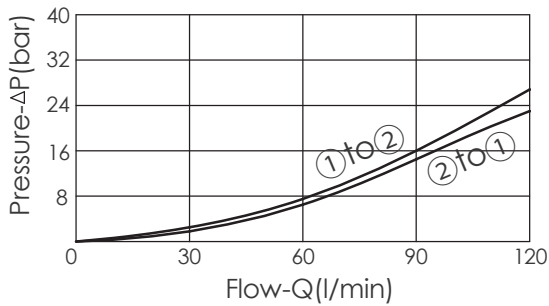
Filtration: 25 µm nominal or better

Minimum Voltage Required:

90 % of nominal

Coils must be ordered separately

Mounting Position: unrestricted



| X | STRUCTURE | |
|----|---|--|
| 2A | 2 Ports 、 20 Watt. Coil φ 12.7 mm tube | |

| Y | OPERATION | |
|----|-----------------------------|--|
| 31 | Normally-Closed Double Lock | |

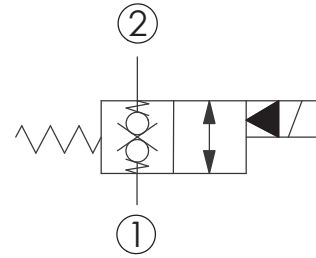
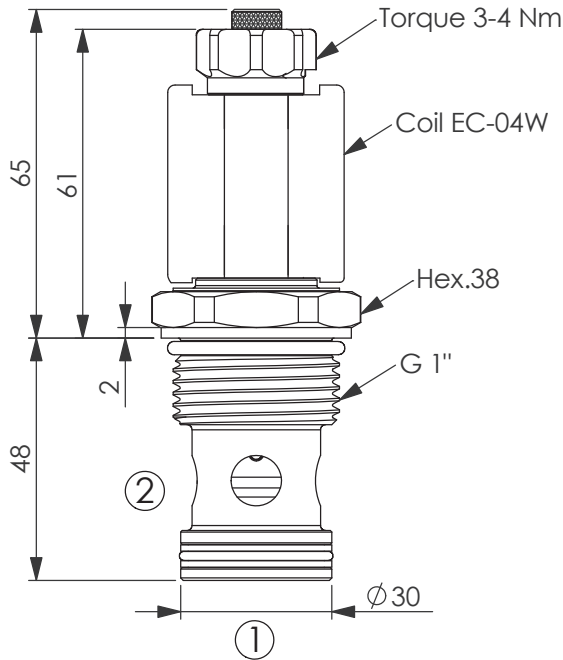
| Z | OPTIONS | |
|---|----------------------|--|
| N | Non-adjustable | |
| M | Screw-out Knob Style | |

SOLENOID OPERATED VALVES

(Poppet 2-Way Double Lock Normally-Closed Cartridge Style With Extra Spring)

Ordering Code: **EP-21E-X-Y-Z-85**

This design allows faster response times with very small flow or even virtually zero flow.



TECHNICAL DATA

Max. Operating pressure: 350 bar

Rated flow: 150 l/min

Cavity-Tooling: 21E-2

Installation torque: 80-100 Nm

Weight: 0.35 kg

Fluids-Temperatures: -40~120 °C

Internal Leakage: 0.15cc/minute

(3 drops/minute) max.at 350 bar

Filtration: 25 µm nominal or better

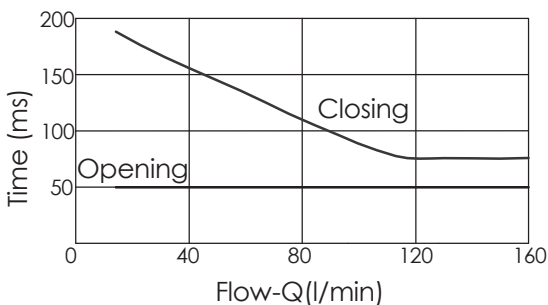
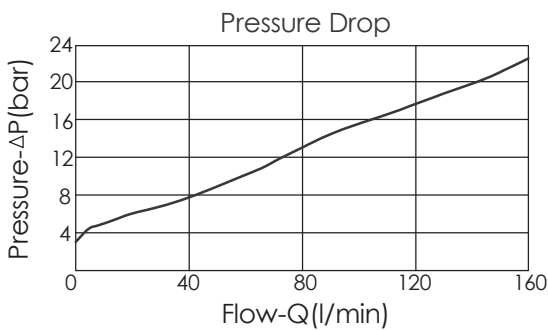
Minimum Voltage Required:

90 % of nominal

Coils must be ordered separately

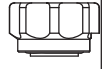
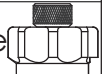
Mounting Position: unrestricted

UNIT:mm



| X | STRUCTURE | |
|----|-------------------------|--|
| 2A | 2 Ports · 20 Watt. Coil | |
| | ∅ 12.7 mm tube | |

| Y | OPERATION | |
|----|-----------------------------|--|
| 31 | Normally-Closed Double Lock | |

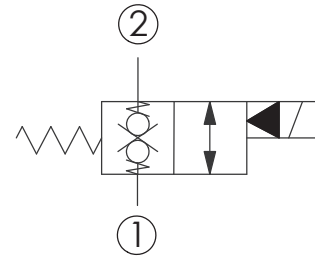
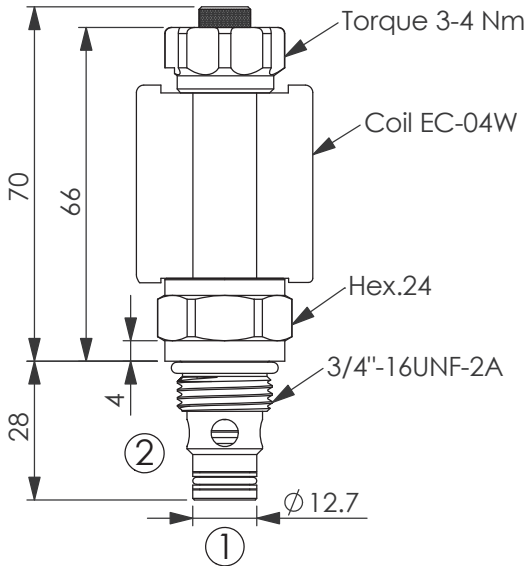
| Z | OPTIONS | |
|---|----------------------|---|
| N | Non-adjustable |  |
| M | Screw-out Knob Style |  |

SOLENOID OPERATED VALVES

(Poppet 2-Way Double Lock Normally-Closed Cartridge Style With Extra Spring)

Ordering Code: **EP-08W-X-Y-Z-85**

This design allows faster response times with very small flow or even virtually zero flow.



UNIT:mm

TECHNICAL DATA

Max.Operating pressure: 350 bar

Rated flow: 40 l/min

Cavity-Tooling: 08W-2

Installation torque: 39-51 Nm

Weight: 0.13 kg

Fluids-Temperatures: -40~120 °C

Internal Leakage: 0.15cc/minute

(3 drops/minute) max.at 350 bar

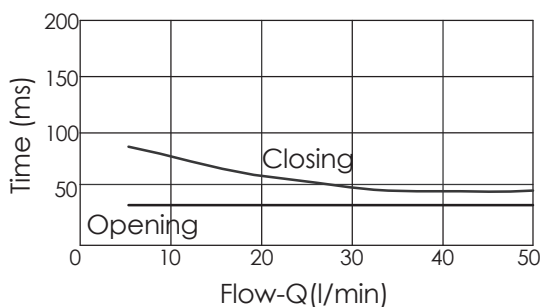
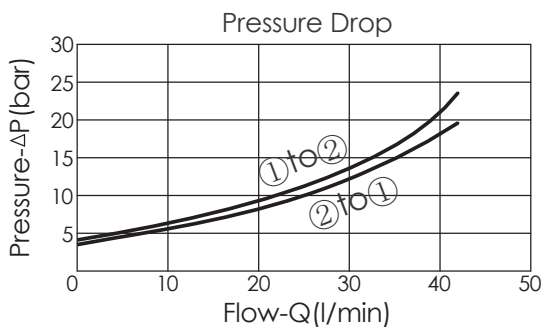
Filtration: 25 µm nominal or better

Minimum Voltage Required:

90 % of nominal

Coils must be ordered separately

Mounting Position: unrestricted



| X | STRUCTURE | |
|----|-------------------------|--|
| 2A | 2 Ports · 20 Watt. Coil | |
| | ∅ 12.7 mm tube | |

| Y | OPERATION | |
|----|-----------------------------|--|
| 31 | Normally-Closed Double Lock | |

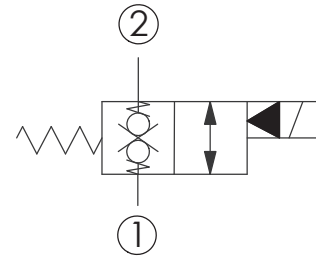
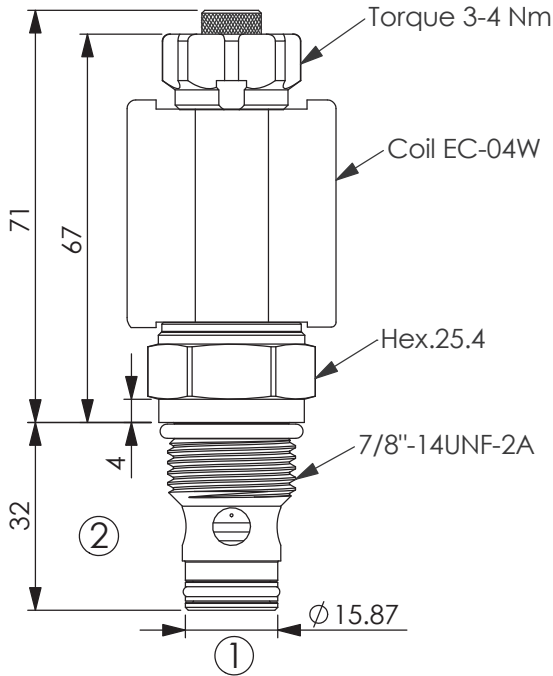
| Z | OPTIONS | |
|---|----------------------|--|
| N | Non-adjustable | |
| M | Screw-out Knob Style | |

SOLENOID OPERATED VALVES

(Poppet 2-Way Double Lock Normally-Closed Cartridge Style With Extra Spring)

Ordering Code: **EP-10W-X-Y-Z-85**

This design allows faster response times with very small flow or even virtually zero flow.



TECHNICAL DATA

Max. Operating pressure: 350 bar

Rated flow: 70 l/min

Cavity-Tooling: 10W-2

Installation torque: 44-56 Nm

Weight: 0.19 kg

Fluids-Temperatures: -40~120 °C

Internal Leakage: 0.15cc/minute
(3 drops/minute) max.at 350 bar

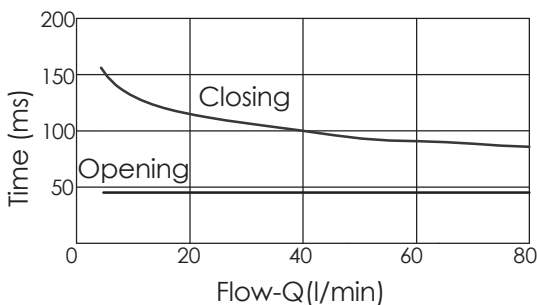
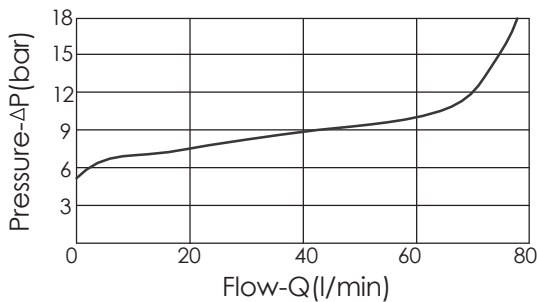
Filtration: 25 µm nominal or better

Minimum Voltage Required:
90 % of nominal

Coils must be ordered separately

Mounting Position: unrestricted

UNIT:mm



| X | STRUCTURE | |
|----|-----------|---------------|
| 2A | 2 Ports | 20 Watt. Coil |

| Y | OPERATION | |
|----|-----------------------------|--|
| 31 | Normally-Closed Double Lock | |

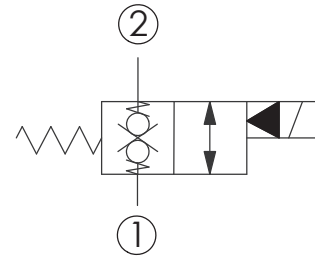
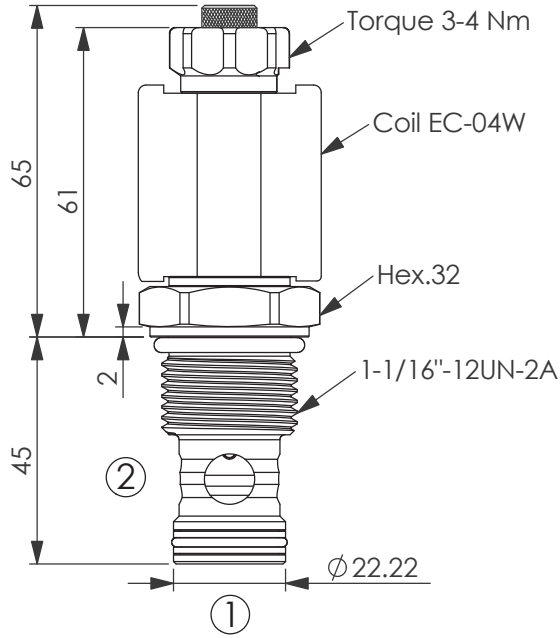
| Z | OPTIONS | |
|---|----------------------|--|
| N | Non-adjustable | |
| M | Screw-out Knob Style | |

SOLENOID OPERATED VALVES

(Poppet 2-Way Double Lock Normally-Closed Cartridge Style With Extra Spring)

Ordering Code: **EP-12W-X-Y-Z-85**

This design allows faster response times with very small flow or even virtually zero flow.



UNIT:mm

TECHNICAL DATA

Max.Operating pressure: 350 bar

Rated flow: 150 l/min

Cavity-Tooling: 12W-2

Installation torque: 54-66 Nm

Weight: 0.23 kg

Fluids-Temperatures: -40~120 °C

Internal Leakage: 0.15cc/minute

(3 drops/minute) max.at 350 bar

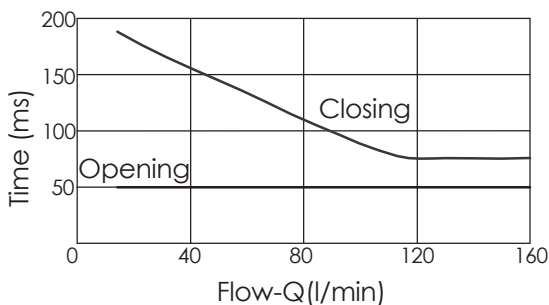
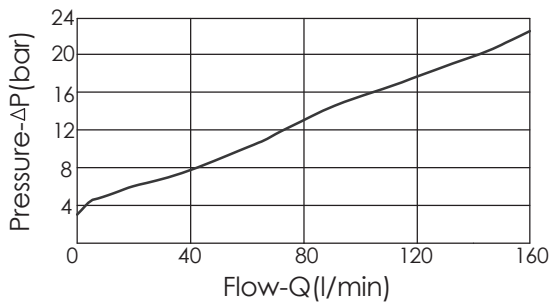
Filtration: 25 µm nominal or better

Minimum Voltage Required:

90 % of nominal

Coils must be ordered separately

Mounting Position: unrestricted



| X | STRUCTURE | |
|----|-----------|---------------|
| 2A | 2 Ports | 20 Watt. Coil |

| Y | OPERATION | |
|----|-----------------------------|--|
| 31 | Normally-Closed Double Lock | |

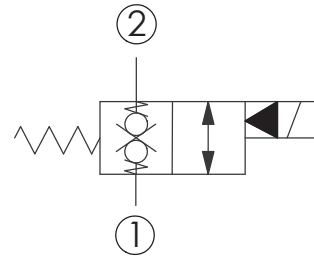
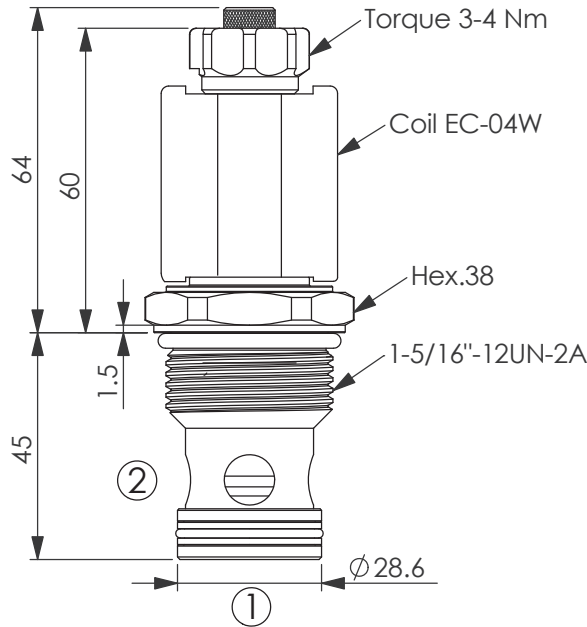
| Z | OPTIONS | |
|---|----------------------|--|
| N | Non-adjustable | |
| M | Screw-out Knob Style | |

SOLENOID OPERATED VALVES

(Poppet 2-Way Double Lock Normally-Closed Cartridge Style With Extra Spring)

Ordering Code: **EP-16W-X-Y-Z-85**

This design allows faster response times with very small flow or even virtually zero flow.



TECHNICAL DATA

Max. Operating pressure: 350 bar

Rated flow: 150 l/min

Cavity-Tooling: 16W-2

Installation torque: 80-100 Nm

Weight: 0.4 kg

Fluids-Temperatures: -40~120 °C

Internal Leakage: 0.15cc/minute
(3 drops/minute) max. at 350 bar

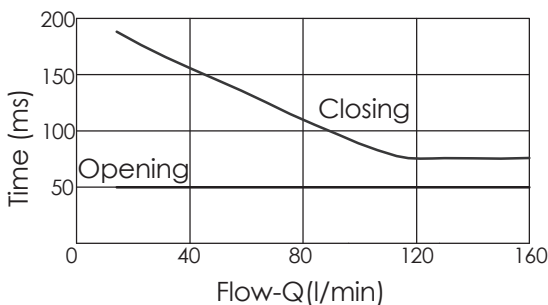
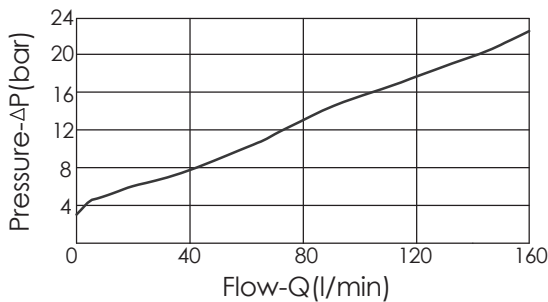
Filtration: 25 µm nominal or better

Minimum Voltage Required:
90 % of nominal

Coils must be ordered separately

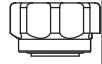
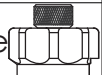
Mounting Position: unrestricted

UNIT:mm



| X | STRUCTURE | |
|----|-------------------------|--|
| 2A | 2 Ports · 20 Watt. Coil | |

| Y | OPERATION | |
|----|-----------------------------|--|
| 31 | Normally-Closed Double Lock | |

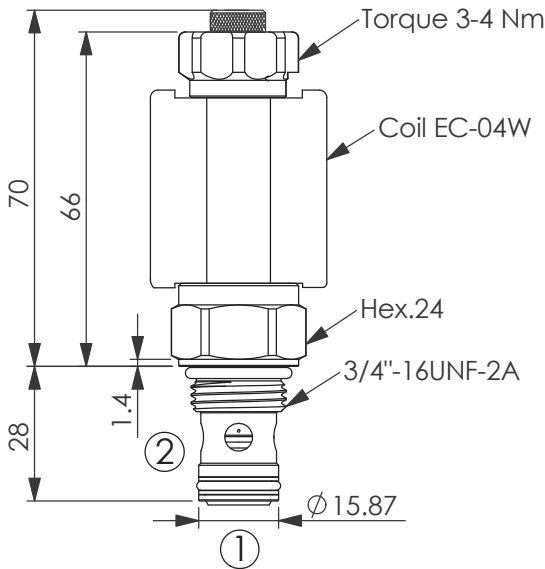
| Z | OPTIONS | |
|---|----------------------|---|
| N | Non-adjustable |  |
| M | Screw-out Knob Style |  |

SOLENOID OPERATED VALVES

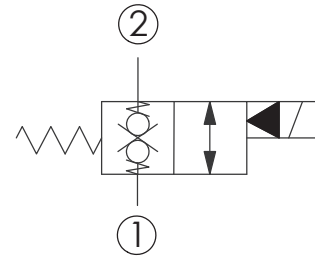
(Poppet 2-Way Double Lock Normally-Closed Cartridge Style With Extra Spring)

Ordering Code: **EP-19E-X-Y-Z-85**

This design allows faster response times with very small flow or even virtually zero flow.



UNIT:mm



TECHNICAL DATA

Max.Operating pressure: 350 bar

Rated flow: 40 l/min

Cavity-Tooling: 19E-2

Installation torque: 25-35 Nm

Weight: 0.13 kg

Fluids-Temperatures: -40~120 °C

Internal Leakage: 0.15cc/minute

(3 drops/minute) max.at 350 bar

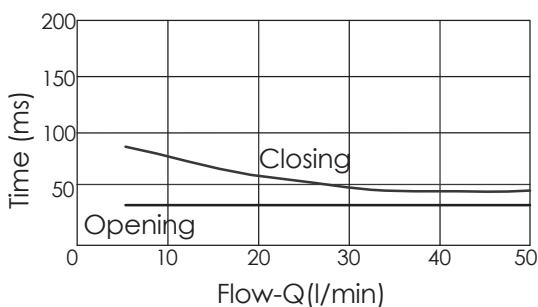
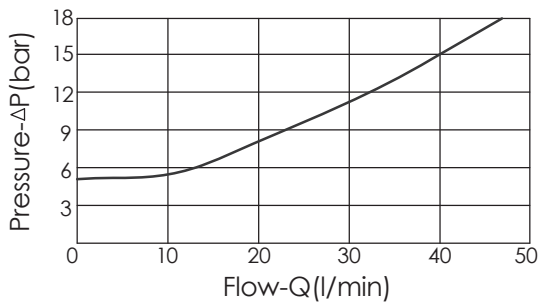
Filtration: 25 µm nominal or better

Minimum Voltage Required:

90 % of nominal


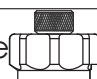
Coils must be ordered separately

Mounting Position: unrestricted



| X | STRUCTURE | |
|----|-----------|---------------|
| 2A | 2 Ports | 20 Watt. Coil |

| Y | OPERATION | |
|----|-----------------------------|--|
| 31 | Normally-Closed Double Lock | |

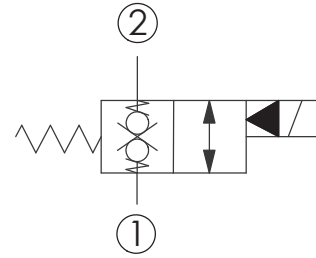
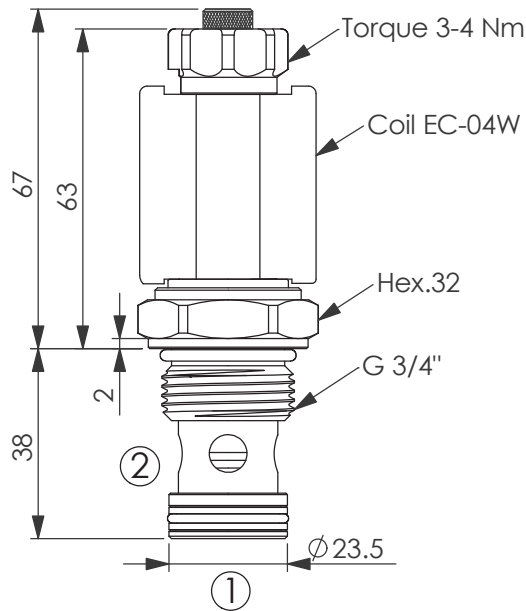
| Z | OPTIONS | |
|---|----------------------|---|
| N | Non-adjustable |  |
| M | Screw-out Knob Style |  |

SOLENOID OPERATED VALVES

(Poppet 2-Way Double Lock Normally-Closed Cartridge Style With Extra Spring)

Ordering Code: **EP-17E-X-Y-Z-85**

This design allows faster response times with very small flow or even virtually zero flow.



TECHNICAL DATA

Max. Operating pressure: 350 bar

Rated flow: 70 l/min

Cavity-Tooling: 17E-2

Installation torque: 54-66 Nm

Weight: 0.22 kg

Fluids-Temperatures: -40~120 °C

Internal Leakage: 0.15cc/minute
(3 drops/minute) max. at 350 bar

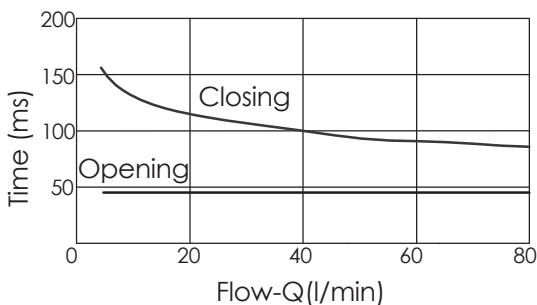
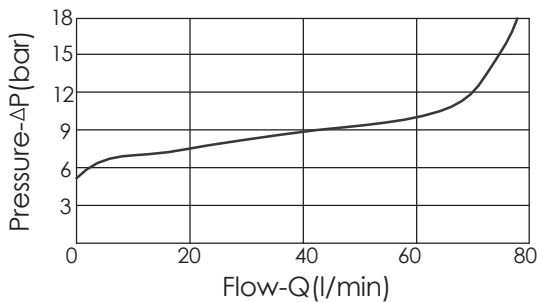
Filtration: 25 µm nominal or better

Minimum Voltage Required:
90 % of nominal

Coils must be ordered separately

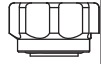
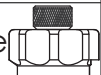
Mounting Position: unrestricted

UNIT:mm



| X | STRUCTURE |
|----|-------------------------|
| 2A | 2 Ports - 20 Watt. Coil |

| Y | OPERATION |
|----|-----------------------------|
| 31 | Normally-Closed Double Lock |

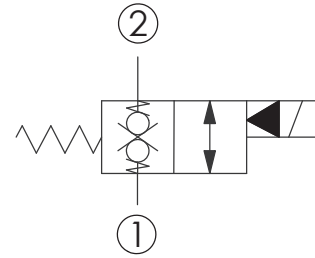
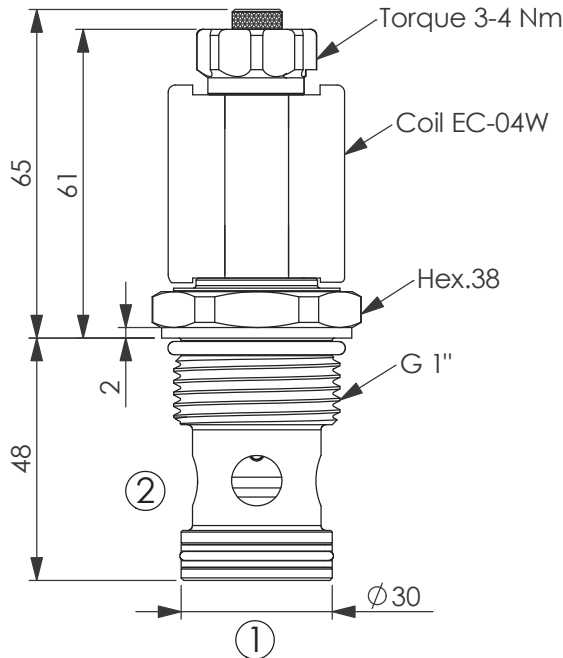
| Z | OPTIONS |
|---|--|
| N | Non-adjustable  |
| M | Screw-out Knob Style  |

SOLENOID OPERATED VALVES

(Poppet 2-Way Double Lock Normally-Closed Cartridge Style With Extra Spring)

Ordering Code: **EP-21E-X-Y-Z-85**

This design allows faster response times with very small flow or even virtually zero flow.



TECHNICAL DATA

Max. Operating pressure: 350 bar

Rated flow: 150 l/min

Cavity-Tooling: 21E-2

Installation torque: 80-100 Nm

Weight: 0.35 kg

Fluids-Temperatures: -40~120 °C

Internal Leakage: 0.15cc/minute

(3 drops/minute) max. at 350 bar

Filtration: 25 µm nominal or better

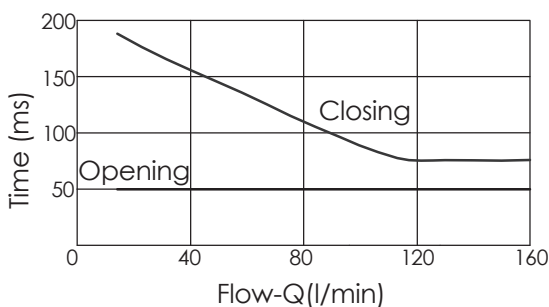
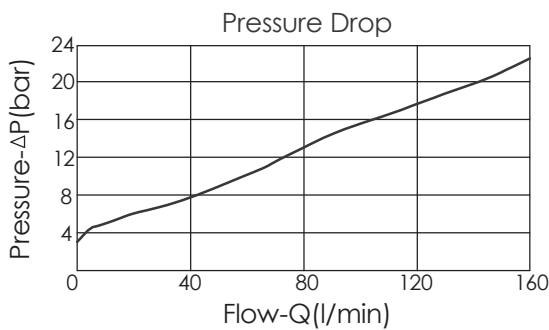
Minimum Voltage Required:

90 % of nominal

Coils must be ordered separately

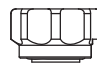
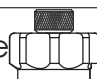
Mounting Position: unrestricted

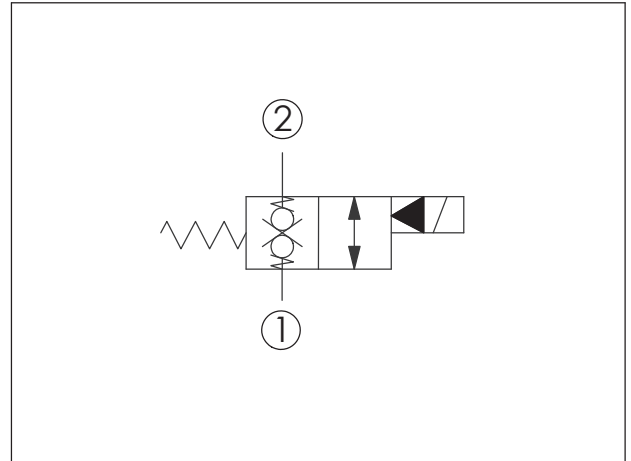
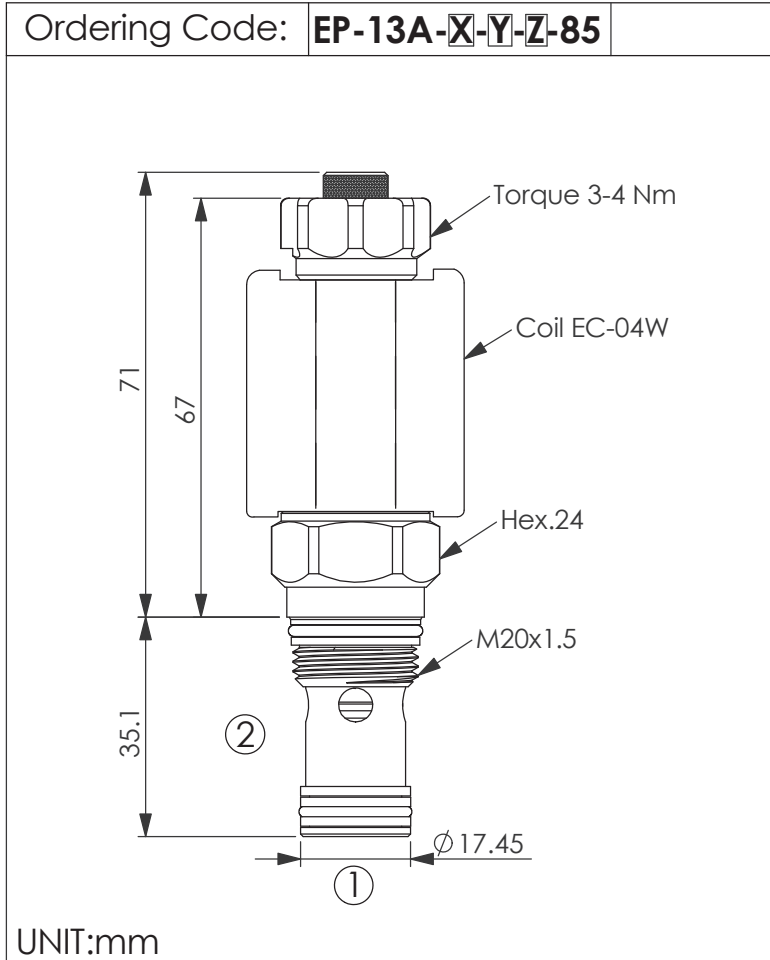
UNIT:mm



| X | STRUCTURE | |
|----|-------------------------|--|
| 2A | 2 Ports · 20 Watt. Coil | |
| | ∅ 12.7 mm tube | |

| Y | OPERATION | |
|----|-----------------------------|--|
| 31 | Normally-Closed Double Lock | |

| Z | OPTIONS | |
|---|----------------------|---|
| N | Non-adjustable |  |
| M | Screw-out Knob Style |  |



TECHNICAL DATA

Max.Operating pressure: 350 bar

Rated flow: 40 l/min

Cavity-Tooling: 13A-2

Installation torque: 25-35 Nm

Weight: 0.14 kg

Fluids-Temperatures: -40~120 °C

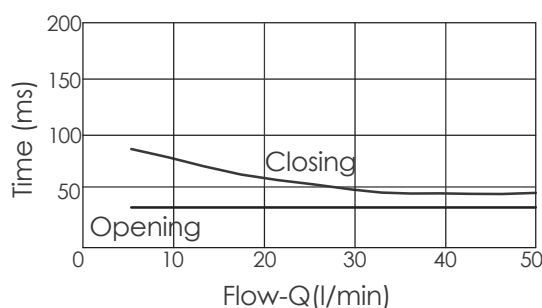
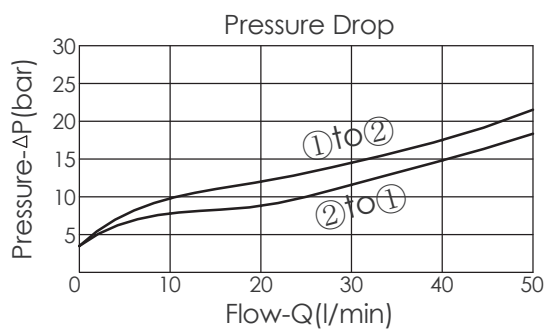
Internal Leakage: 0.15cc/minute
(3 drops/minute) max.at 350 bar

Filtration: 25 µm nominal or better

Minimum Voltage Required:
90 % of nominal

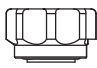
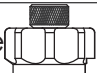
Coils must be ordered separately

Mounting Position: unrestricted



| X | STRUCTURE |
|----|---|
| 2A | 2 Ports · 20 Watt. Coil Ø 12.7 mm tube |

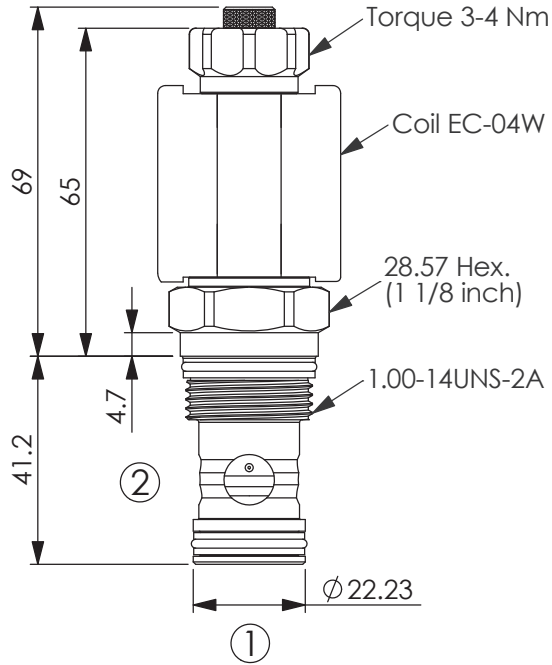
| Y | OPERATION |
|----|-----------------------------|
| 31 | Normally-Closed Double Lock |

| Z | OPTIONS |
|---|--|
| N | Non-adjustable  |
| M | Screw-out Knob Style  |

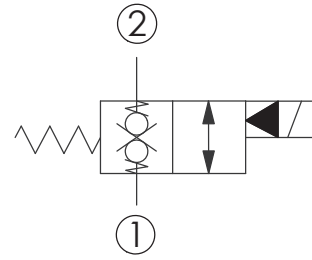
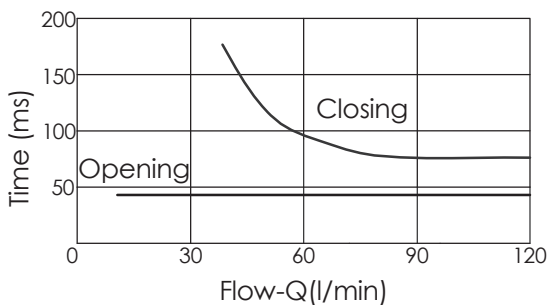
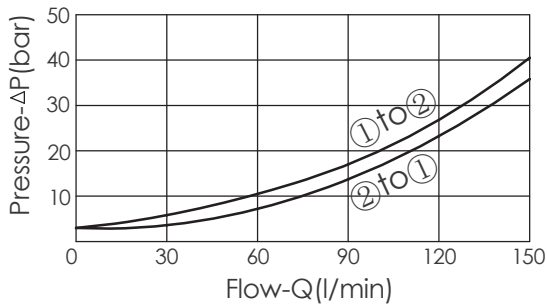
SOLENOID OPERATED VALVES

(Poppet 2-Way Double Lock Normally-Closed Cartridge Style With Extra Spring)

Ordering Code: **EP-5A-X-Y-Z-85**



UNIT:mm



TECHNICAL DATA

Max. Operating pressure: 350 bar

Rated flow: 120 l/min

Cavity-Tooling: 5A-2

Installation torque: 60-70 Nm

Weight: 0.21 kg

Fluids-Temperatures: -40~120 °C

Internal Leakage: 0.15cc/minute

(3 drops/minute) max.at 350 bar

Filtration: 25 µm nominal or better

Minimum Voltage Required:

90 % of nominal

Coils must be ordered separately

Mounting Position: unrestricted

| X | STRUCTURE | |
|----|-------------------------|--|
| 2A | 2 Ports · 20 Watt. Coil | |
| | ∅ 12.7 mm tube | |

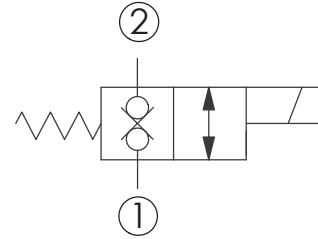
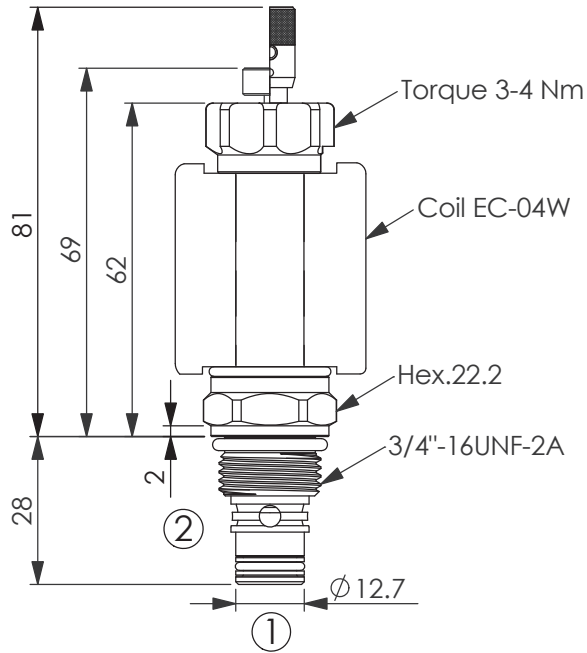
| Y | OPERATION | |
|----|-----------------------------|--|
| 31 | Normally-Closed Double Lock | |

| Z | OPTIONS | |
|---|----------------------|--|
| N | Non-adjustable | |
| M | Screw-out Knob Style | |

SOLENOID OPERATED VALVE

(Direct-Acting Normally-Closed Double-Lock Cartridge Style)

Ordering Code: **EP-08W-X-Y-Z-04**



TECHNICAL DATA

Max.Operating pressure: 350 bar

Rated flow: 15 l/min

Cavity-Tooling: 08W-2

Installation torque: 39-51 Nm

Weight: 0.13 kg

Fluids-Temperatures: -40~120 °C

Internal Leakage: 0.15cc/minute
(3 drops/minute) max.at 210 bar

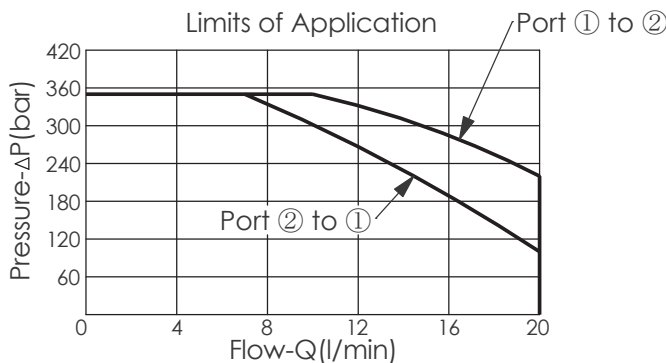
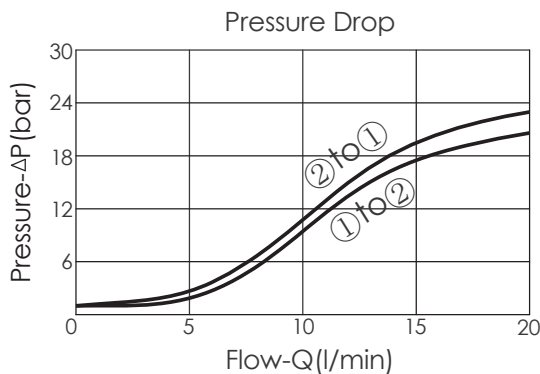
Filtration: 25 µm nominal or better

Minimum Voltage Required:
90 % of nominal

Coils must be ordered separately

Mounting Position: unrestricted

UNIT:mm



Y OPERATION

51 Direct-Acting Normally
-Closed Double-Lock

X STRUCTURE

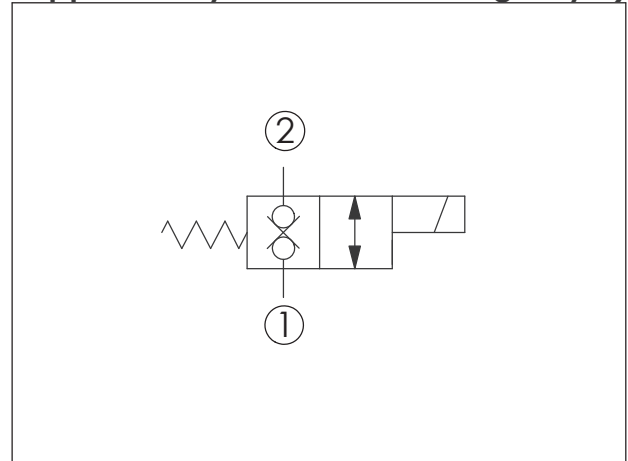
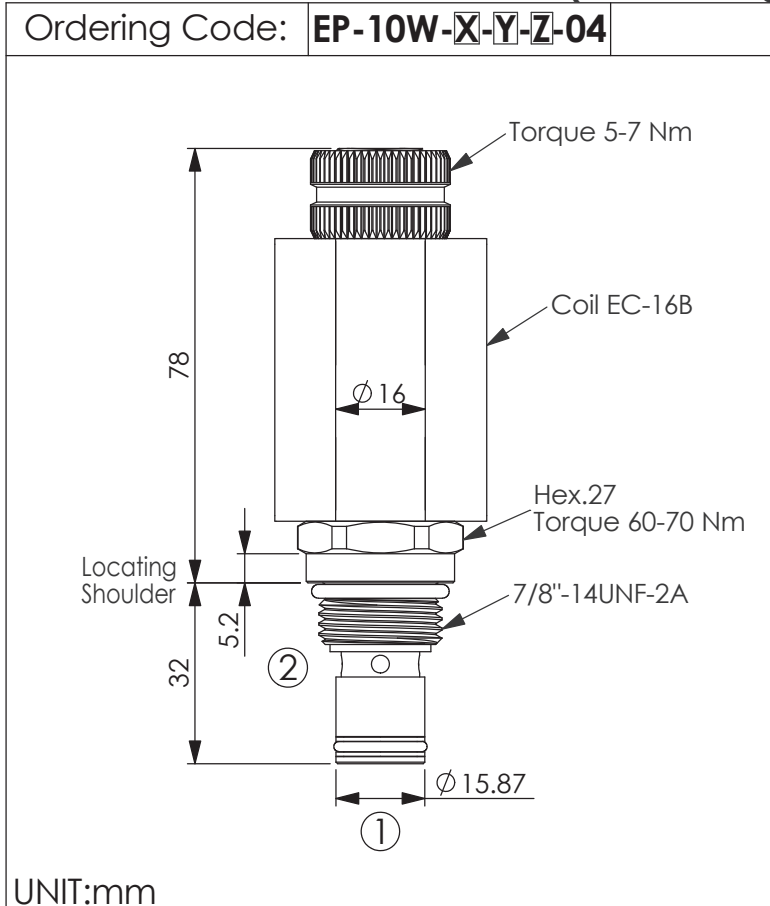
2A 2 Ports - 20 Watt. Coil
Ø 12.7 mm tube

Z OPTIONS

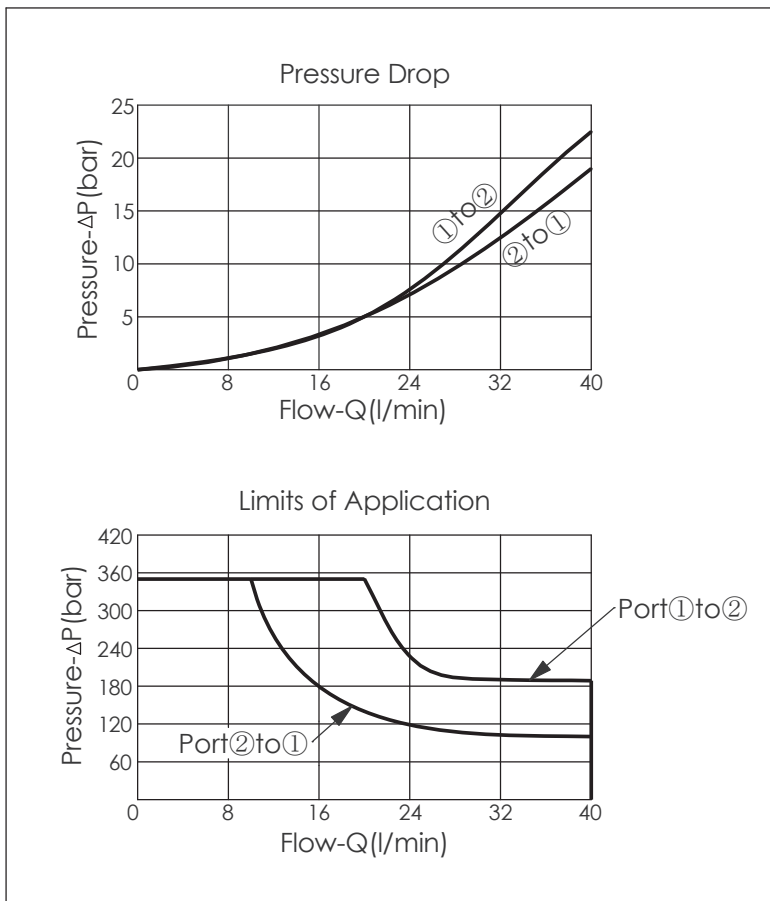
| | | |
|-----------|---|--|
| N | Non-adjustable | |
| P | Push Style Manual Override | |
| PC | Push Style Manual Override with Higher Knob | |
| T | Push and Twist Style Manual Override | |

SOLENOID OPERATED VALVE

(Direct-Acting Poppet 3-Way 2-Position Cartridge Style)

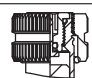


| TECHNICAL DATA | |
|--------------------------------------|--|
| Max.Operating pressure: | 350 bar |
| Rated flow: | 25 l/min |
| Response Time Opening (2 → 3, 2 → 1) | 25-40 ms |
| Closing | 30-50 ms |
| Cavity-Tooling: | 10W-2 |
| Max.Installation torque: | 60-70 Nm |
| Weight: | 0.19 kg |
| Fluids-Temperatures: | -40~120 °C |
| Internal Leakage: | 0.15cc/minute (3 drops/minute) max.at 350 bar |
| Filtration: | 25 μm nominal or better |
| Minimun Voltage Required: | 90 % of nominal |
| Coils must be ordered separately | |
| Mounting Position: | unrestricted |



| Y | OPERATION |
|----|---|
| 51 | Direct-Acting Normally -Closed Double-Lock |

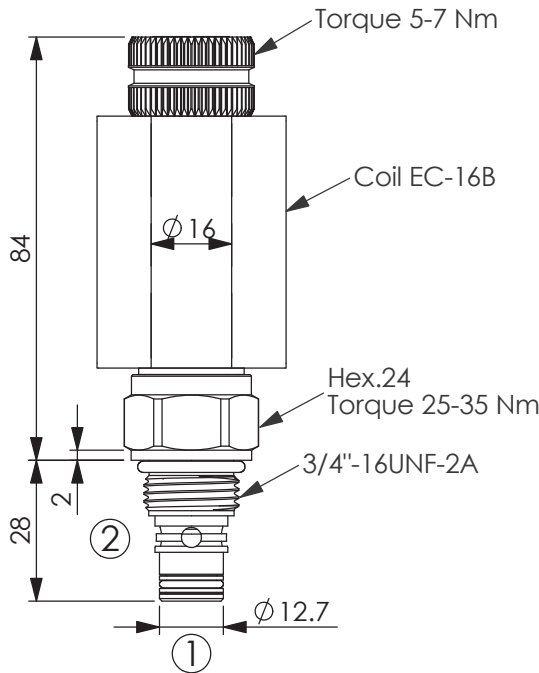
| X | STRUCTURE |
|----|---|
| 2C | 2 Ports · 26 Watt. Coil φ 16 mm tube |

| Z | OPTIONS |
|---|---|
| N | Non-adjustable |
| P | Push Style Manual Override  |

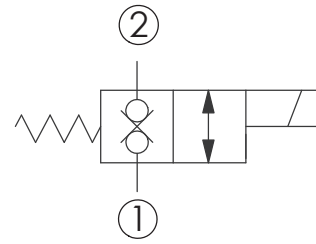
SOLENOID OPERATED VALVE

(Direct-Acting Normally-Closed Double-Lock Cartridge Style)

Ordering Code: **EP-08W-X-Y-Z-04-1**



UNIT:mm



TECHNICAL DATA

Max.Operating pressure: 350 bar

Rated flow: 20 l/min

Cavity-Tooling: 08W-2

Max.Installation torque: 25-35 Nm

Weight: 0.17 kg

Fluids-Temperatures: -40~120 °C

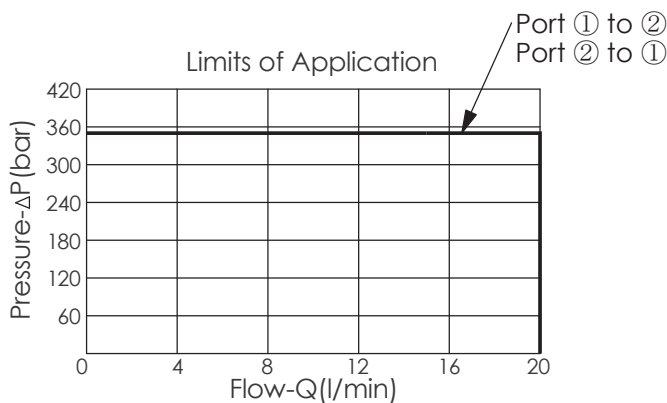
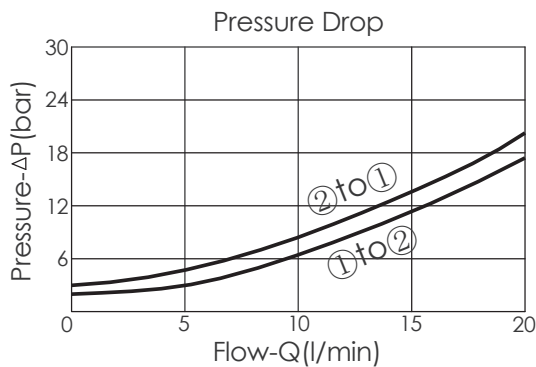
Internal Leakage: 0.15cc/minute
(3 drops/minute) max.at 210 bar

Filtration: 25 µm nominal or better

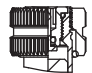
Minimum Voltage Required:
90 % of nominal

Coils must be ordered separately

Mounting Position: unrestricted



| | |
|-----------|---|
| X | STRUCTURE |
| 2C | 2 Ports - 26 Watt. Coil Ø 16 mm tube |

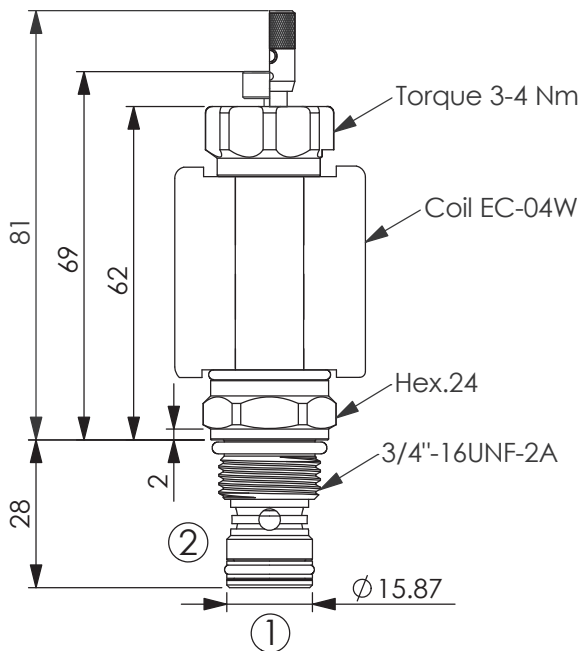
| | |
|----------|---|
| Z | OPTIONS |
| N | Non-adjustable |
| P | Push Style Manual Override  |

| | |
|-----------|---|
| Y | OPERATION |
| 51 | Direct-Acting Normally -Closed Double-Lock |

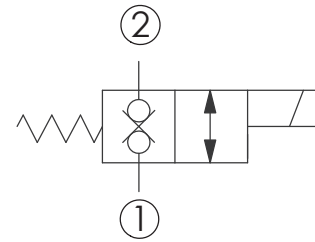
SOLENOID OPERATED VALVE

(Direct-Acting Normally-Closed Double-Lock Cartridge Style)

Ordering Code: **EP-19E-X-Y-Z-04**



UNIT:mm



TECHNICAL DATA

Max.Operating pressure: 350 bar

Rated flow: 15 l/min

Cavity-Tooling: 19E-2

Installation torque: 25-35 Nm

Weight: 0.13 kg

Fluids-Temperatures: -40~120 °C

Internal Leakage: 0.15cc/minute

(3 drops/minute) max.at 240 bar

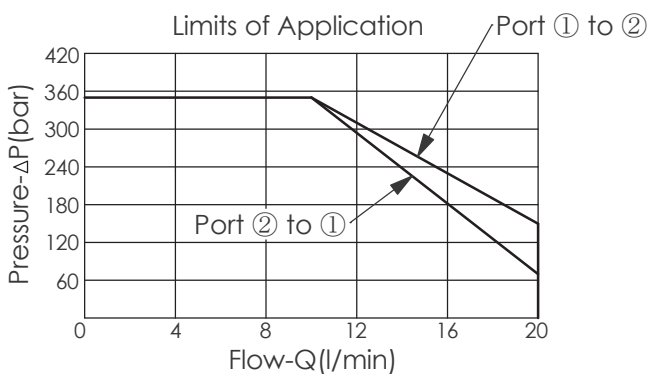
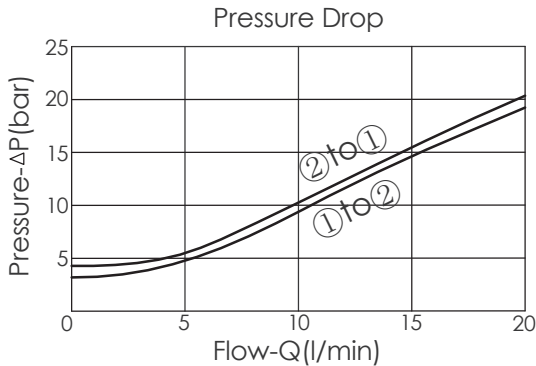
Filtration: 25 µm nominal or better

Minimum Voltage Required:

90 % of nominal

Coils must be ordered separately

Mounting Position: unrestricted



| X | STRUCTURE | |
|----|---|--|
| 2A | 2 Ports · 20 Watt. Coil ∅ 12.7 mm tube | |

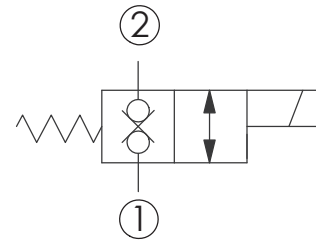
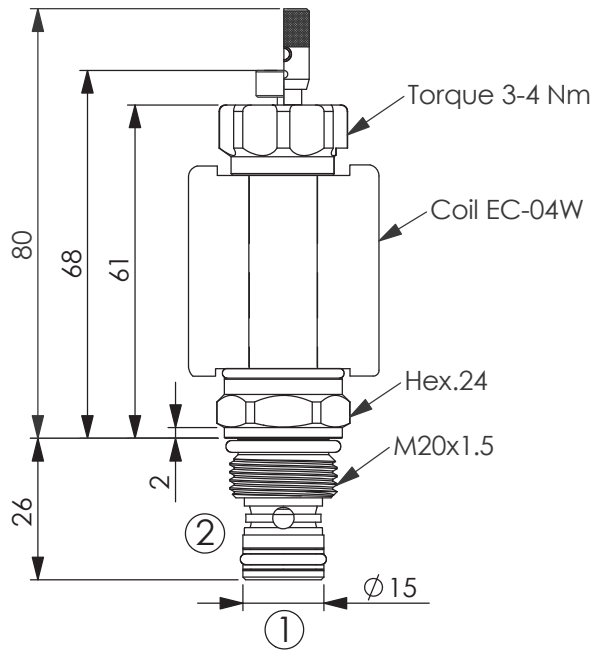
| Z | OPTIONS | |
|---|---|--|
| N | Non-adjustable | |
| P | Push Style Manual Override | |
| T | Push and Twist Style Manual Override | |

| Y | OPERATION | |
|----|---|--|
| 51 | Direct-Acting Normally -Closed Double-Lock | |

SOLENOID OPERATED VALVE

(Direct-Acting Normally-Closed Double-Lock Cartridge Style)

Ordering Code: **EP-20M-X-Y-Z-04**



TECHNICAL DATA

Max. Operating pressure: 350 bar

Rated flow: 15 l/min

Cavity-Tooling: 20M-2

Installation torque: 39-51 Nm

Weight: 0.13 kg

Fluids-Temperatures: -40~120 °C

Internal Leakage: 0.15cc/minute
(3 drops/minute) max. at 240 bar

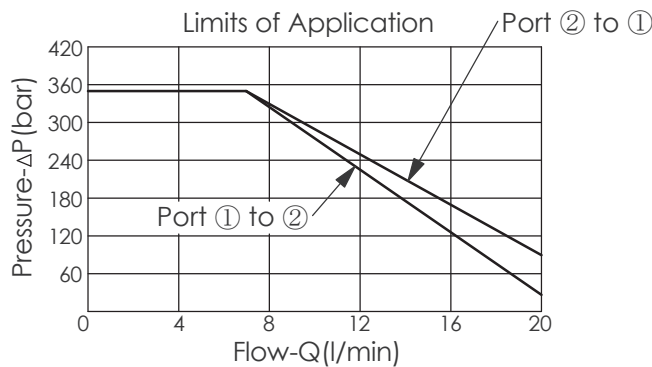
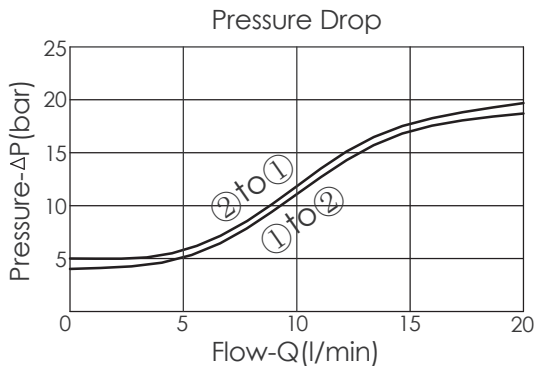
Filtration: 25 µm nominal or better

Minimum Voltage Required:
90 % of nominal

Coils must be ordered separately

Mounting Position: unrestricted

UNIT:mm



| X | STRUCTURE |
|----|---|
| 2A | 2 Ports - 20 Watt. Coil Ø 12.7 mm tube |

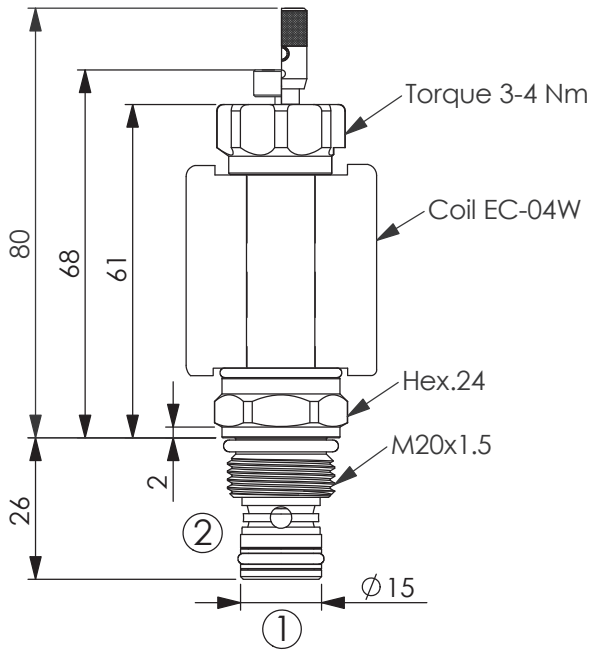
| Z | OPTIONS |
|---|--------------------------------------|
| N | Non-adjustable |
| P | Push Style Manual Override |
| T | Push and Twist Style Manual Override |
| Q | Push Style Manual Override |

| Y | OPERATION |
|----|---|
| 51 | Direct-Acting Normally-Closed Double-Lock |

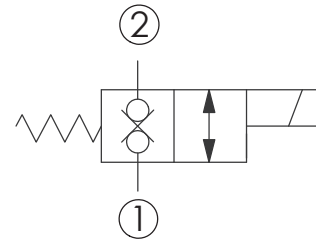
SOLENOID OPERATED VALVE

(Direct-Acting Normally-Closed Double-Lock Cartridge Style)

Ordering Code: **EP-20M-X-Y-Z-04**



UNIT:mm



TECHNICAL DATA

Max.Operating pressure: 350 bar

Rated flow: 15 l/min

Cavity-Tooling: 20M-2

Installation torque: 39-51 Nm

Weight: 0.13 kg

Fluids-Temperatures: -40~120 °C

Internal Leakage: 0.15cc/minute

(3 drops/minute) max.at 240 bar

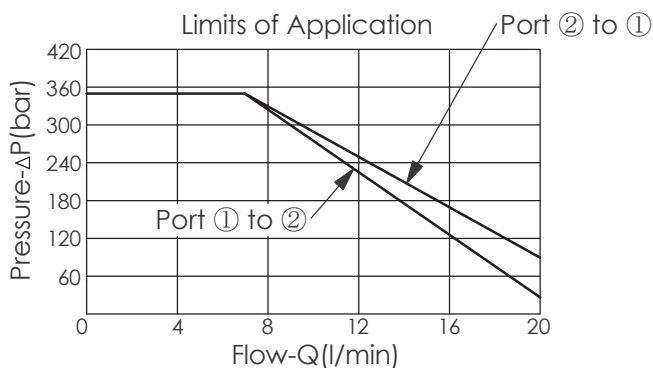
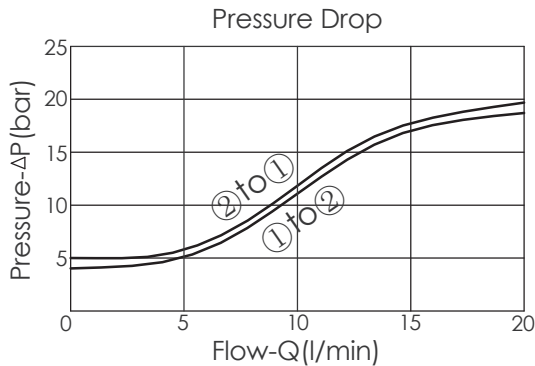
Filtration: 25 µm nominal or better

Minimum Voltage Required:

90 % of nominal

Coils must be ordered separately

Mounting Position: unrestricted



| X | STRUCTURE | |
|----|---|--|
| 2A | 2 Ports · 20 Watt. Coil Ø 12.7 mm tube | |

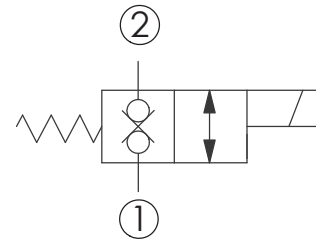
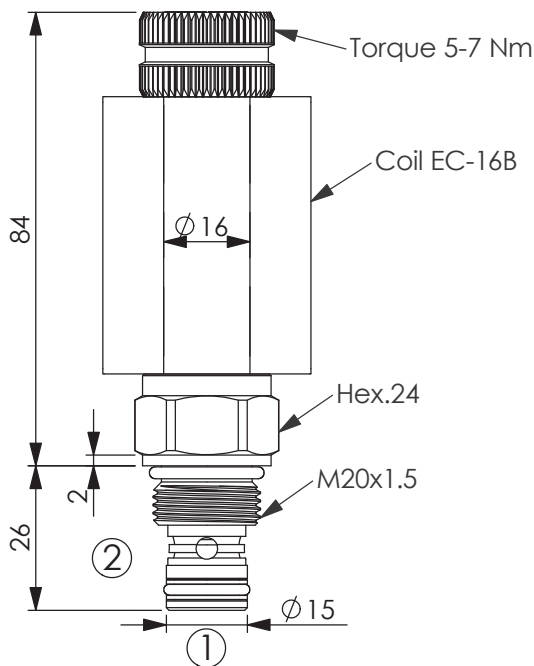
| Z | OPTIONS | |
|---|--------------------------------------|--|
| N | Non-adjustable | |
| M | Screw-out Knob Style | |
| P | Push Style Manual Override | |
| T | Push and Twist Style Manual Override | |
| Q | Push Style Manual Override | |

| Y | OPERATION | |
|----|---|--|
| 51 | Direct-Acting Normally-Closed Double-Lock | |

SOLENOID OPERATED VALVE

(Direct-Acting Normally-Closed Double-Lock Cartridge Style)

Ordering Code: **EP-20M-X-Y-Z-04**



TECHNICAL DATA

Max. Operating pressure: 350 bar

Rated flow: 15 l/min

Cavity-Tooling: 20M-2

Installation torque: 39-51 Nm

Weight: 0.18 kg

Fluids-Temperatures: -40~120 °C

Internal Leakage: 0.15cc/minute
(3 drops/minute) max. at 240 bar

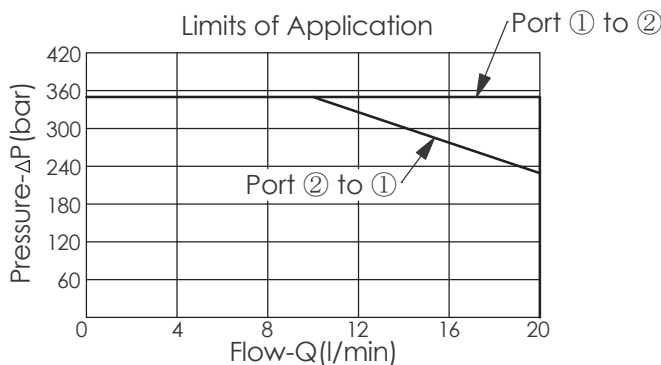
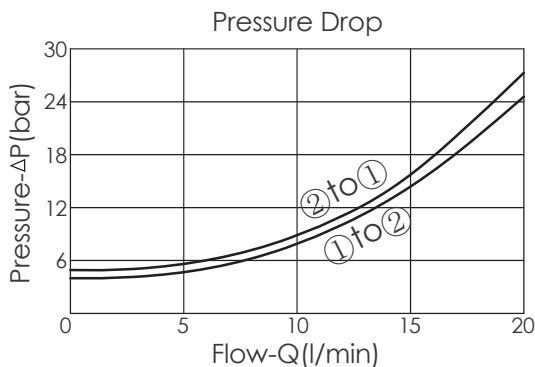
Filtration: 25 µm nominal or better

Minimum Voltage Required:
90 % of nominal

Coils must be ordered separately

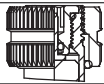
Mounting Position: unrestricted

UNIT:mm



| Y | OPERATION |
|----|---|
| 51 | Direct-Acting Normally-Closed Double-Lock |

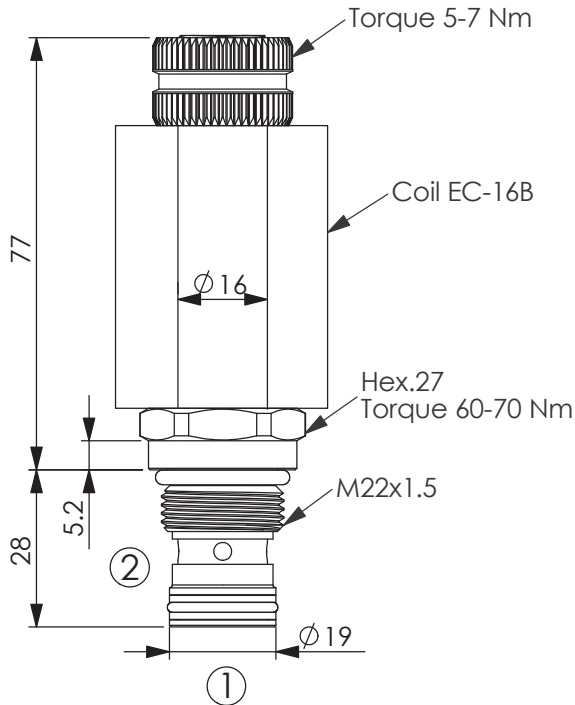
| X | STRUCTURE |
|----|---|
| 2C | 2 Ports · 26 Watt. Coil Ø 16 mm tube |

| Z | OPTIONS |
|---|--|
| N | Non-adjustable |
| P | Push Style Manual Override  |

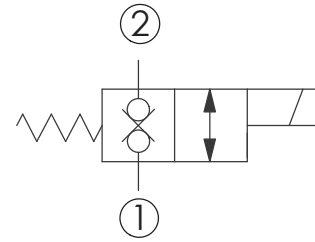
SOLENOID OPERATED VALVE

(Direct-Acting Poppet 3-Way 2-Position Cartridge Style)

Ordering Code: **EP-22M-X-Y-Z-04**



UNIT:mm



TECHNICAL DATA

Max.Operating pressure: 250 bar

Rated flow: 25 l/min

Response Time Opening 25-40 ms
(2 3, 2 1) Closing 30-50 ms

Cavity-Tooling: 22M-2

Max.Installation torque: 60-70 Nm

Weight: 0.18 kg

Fluids-Temperatures: -40~120 °C

Internal Leakage: 0.15cc/minute

(3 drops/minute) max.at 250 bar

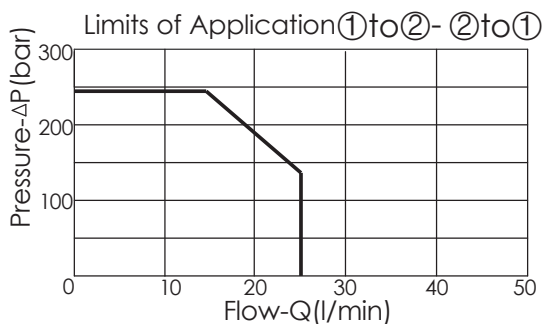
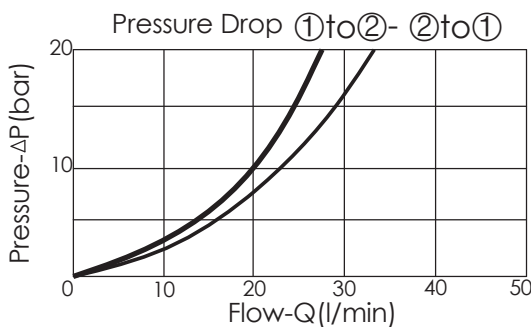
Filtration: 25 µm nominal or better

Minimun Voltage Required:

90 % of nominal

Coils must be ordered separately

Mounting Position: unrestricted



| Y | OPERATION | |
|----|---|--|
| 51 | Direct-Acting Normally -Closed Double-Lock | |

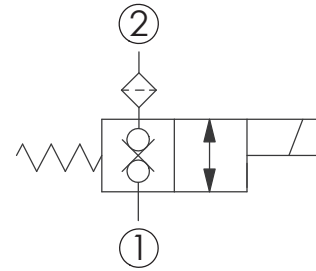
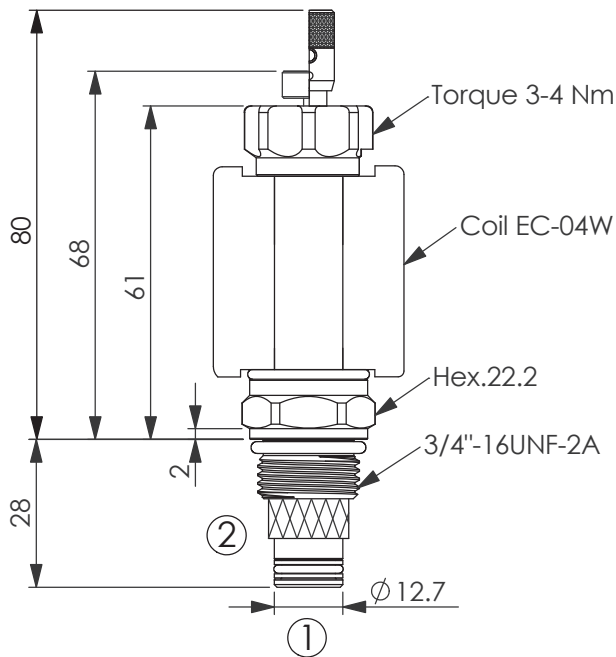
| X | STRUCTURE | |
|----|---|--|
| 2C | 2 Ports 、 26 Watt. Coil φ 16 mm tube | |

| Z | OPTIONS | |
|---|-------------------------------|--|
| N | Non-adjustable | |
| P | Push Style Manual Override | |

SOLENOID OPERATED VALVE

(Direct-Acting Normally-Closed Double-Lock Cartridge Style With Filter)

Ordering Code: **EP-08W-X-Y-Z-04**



TECHNICAL DATA

Max. Operating pressure: 250 bar

Rated flow: 15 l/min

Cavity-Tooling: 08W-2

Installation torque: 39-51 Nm

Weight: 0.14 kg

Fluids-Temperatures: -40~120 °C

Internal Leakage: 0.15cc/minute
(3 drops/minute) max.at 210 bar

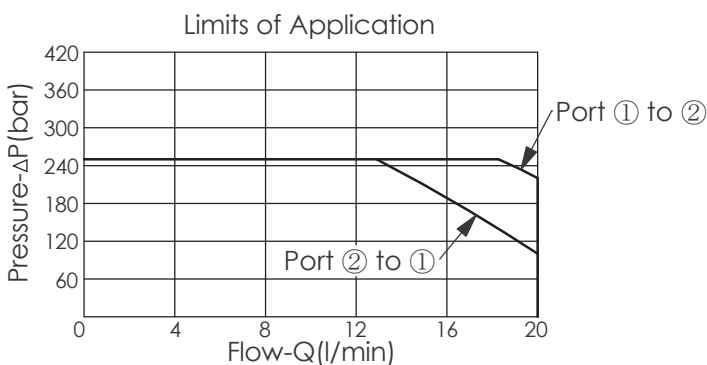
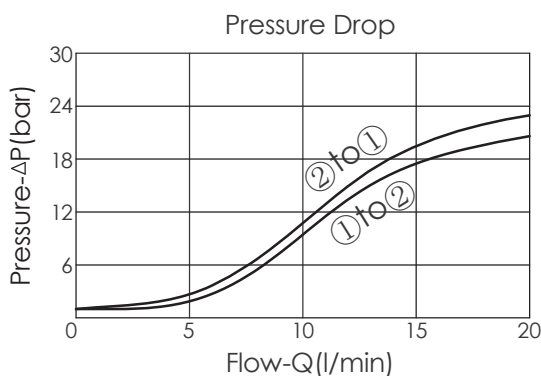
Filtration: 25 µm nominal or better

Minimum Voltage Required:
90 % of nominal

Coils must be ordered separately

Mounting Position: unrestricted

UNIT:mm



| X | STRUCTURE | |
|----|---|--|
| 2A | 2 Ports · 20 Watt. Coil φ 12.7 mm tube | |

| Y | OPERATION | |
|----|--|--|
| 57 | Direct-Acting Normally-Closed Double-Lock With Filter | |

| Z | OPTIONS | |
|---|---|--|
| N | Non-adjustable | |
| P | Push Style Manual Override | |
| T | Push and Twist Style Manual Override | |

CENTRALA ELBLĄG

Ul. Rawska 19B
82-300 Elbląg

tel. /+48/ 55 625 51 00

fax /+48/ 55 625 51 01

Dział Handlowy

tel. /+48/ 55 625 51 51

elblag@hydropress.pl



www.hydropress.pl

ODDZIAŁ GDAŃSK

tel. /+48/ 55 625 51 21

fax /+48/ 55 625 51 22

ODDZIAŁ RUMIA

tel. /+48/ 58 679 34 15

fax /+48/ 55 625 51 25

ODDZIAŁ TYCHY

tel. /+48/ 32 787 52 88

fax /+48/ 55 625 51 38

ODDZIAŁ OLSZTYN

tel. /+48/ 89 532 01 05

fax /+48/ 89 715 21 42

ODDZIAŁ WARSZAWA

tel. /+48/ 22 468 86 97

fax /+48/ 55 625 51 32

BIURO WE WROCŁAWIU

tel. /+48/ 782 838 000

fax /+48/ 55 625 51 35

BIURO W KIELCACH

tel. /+48/ 885 995 501

fax /+48/ 55 625 51 01

BIURO W KRAKOWIE

tel. /+48/ 885 995 019

fax /+48/ 55 625 51 01

BIURO W OPOLU

tel. /+48/ 885 995 011

fax /+48/ 55 625 51 01

BIURO W BYDGOSZCZY

tel. /+48/ 790 222 771

fax /+48/ 55 625 51 01

BIURO W BIAŁYMSTOKU

tel. /+48/ 89 532 01 05

fax /+48/ 89 715 21 42

BIURO W ŁODZI

tel. /+48/ 609 221 421

fax /+48/ 89 715 21 42