



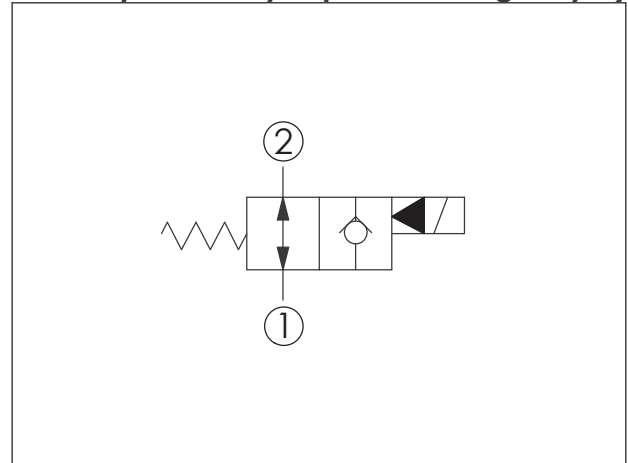
ZAWORY

STEROWANE CEWKĄ
2-DROGOWE, DWUPOŁOŻENIOWE
DWUKIERUNKOWE, OTWARTE

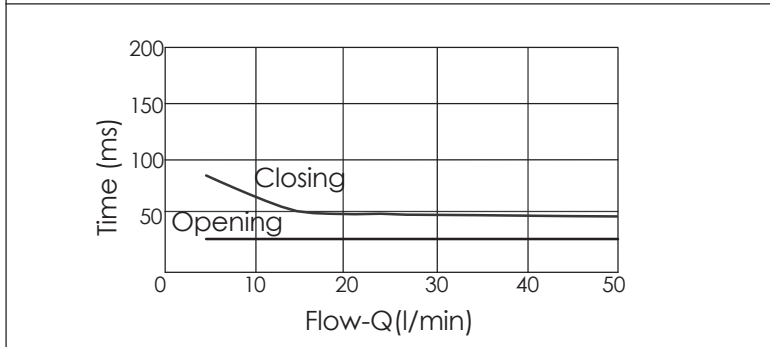
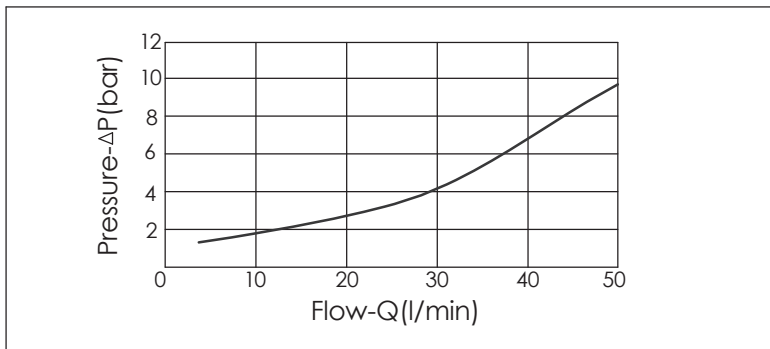
SOLENOID OPERATED VALVES (Poppet 2-Way Normally-Open Cartridge Style)

Ordering Code: **EP-08W-X-Y-Z-05**

UNIT:mm



| TECHNICAL DATA | |
|----------------------------------|--|
| Max.Operating pressure: | 350 bar |
| Rated flow: | 40 l/min |
| Cavity-Tooling: | 08W-2 |
| Installation torque: | 39-51 Nm |
| Weight: | 0.13 kg |
| Fluids-Temperatures: | -40~120 °C |
| Internal Leakage: | 0.15cc/minute (3 drops/minute) max.at 350 bar |
| Filtration: | 25 µm nominal or better |
| Minimun Voltage Required: | 90 % of nominal |
| Coils must be ordered separately | |
| Mounting Position: | unrestricted |



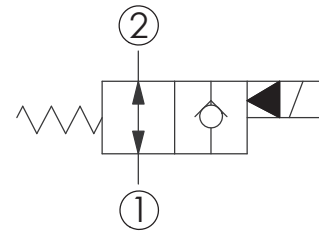
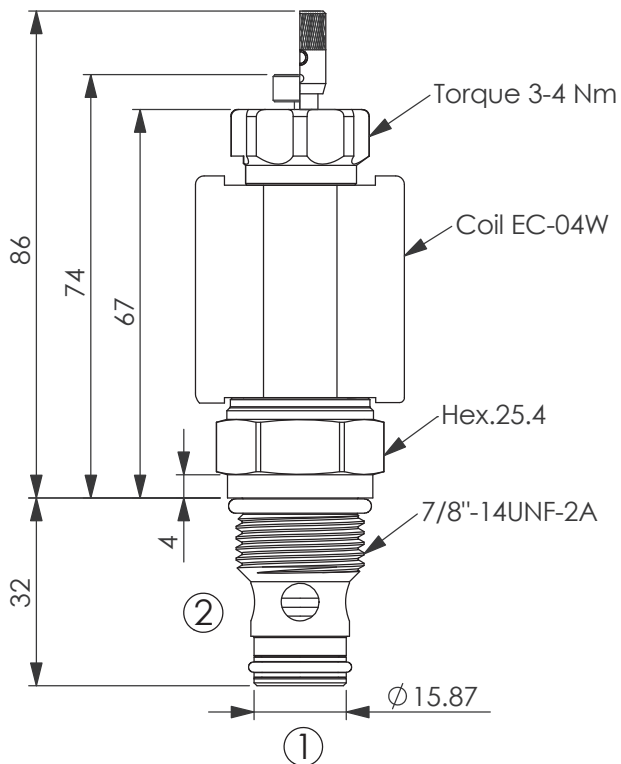
| X | STRUCTURE | |
|----|-----------|---------------|
| 2A | 2 Ports | 20 Watt. Coil |

| Y | OPERATION | |
|----|--|---|
| 04 | Normally-Open,Reverse Flow De-energized ,Nose-in,Side-out Operation | + |

| Z | OPTIONS | |
|---|---|--|
| N | Non-adjustable | |
| P | Push Style Manual Override | |
| T | Push and Twist Style Manual Override | |

SOLENOID OPERATED VALVES (Poppet 2-Way Normally-Open Cartridge Style)

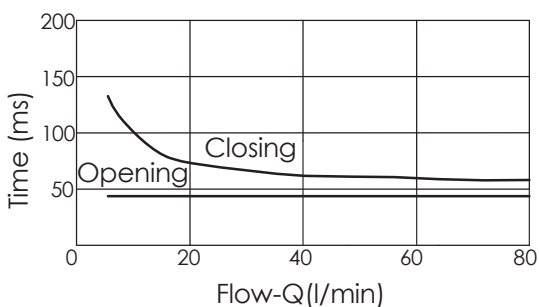
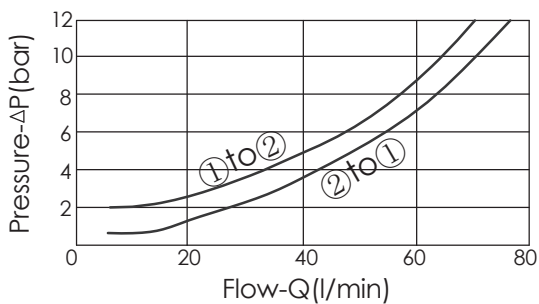
Ordering Code: **EP-10W-X-Y-Z-05**



TECHNICAL DATA

| | | |
|----------------------------------|-------------------------|-------|
| Max.Operating pressure: | 350 | bar |
| Rated flow: | 70 | l/min |
| Cavity-Tooling: | 10W-2 | |
| Installation torque: | 44-56 | Nm |
| Weight: | 0.19 | kg |
| Fluids-Temperatures: | -40~120 | °C |
| Internal Leakage: | 0.15cc/minute | |
| (3 drops/minute) max.at 350 bar | | |
| Filtration: | 25 µm nominal or better | |
| Minimum Voltage Required: | 90 % of nominal | |
| Coils must be ordered separately | | |
| Mounting Position: | unrestricted | |

UNIT:mm

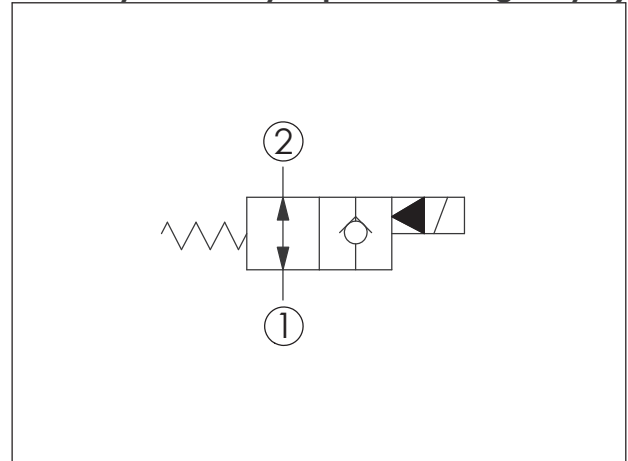
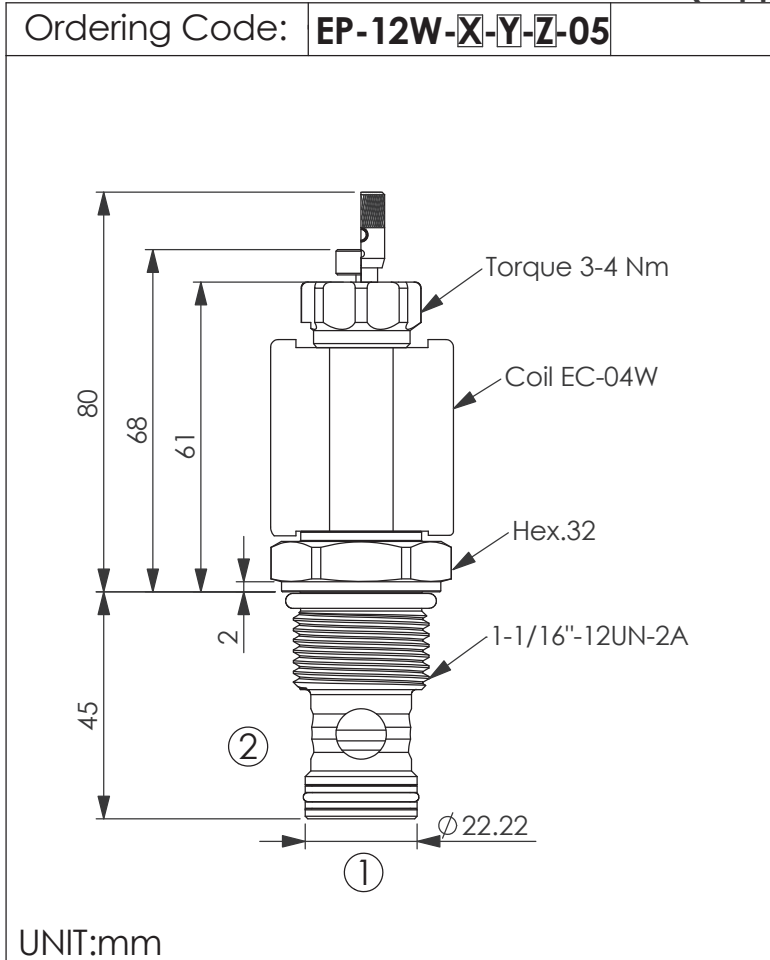


| X | STRUCTURE | |
|----|-------------------------|--|
| 2A | 2 Ports · 20 Watt. Coil | |

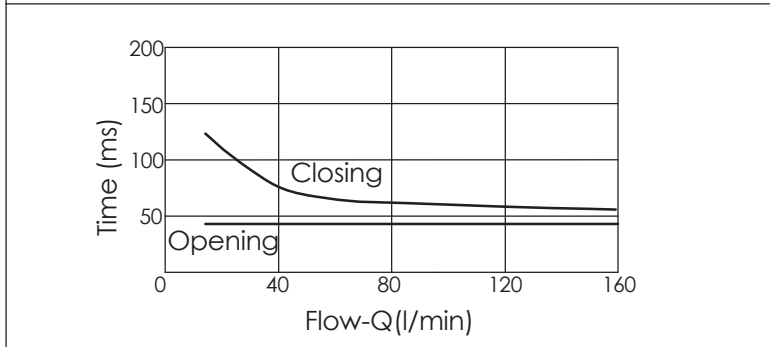
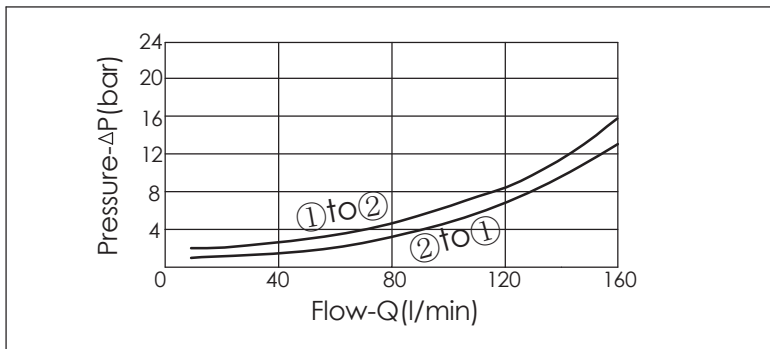
| Y | OPERATION | |
|----|--|--|
| 04 | Normally-Open,Reverse Flow De-energized ,Nose-in,Side-out Operation | |

| Z | OPTIONS | |
|---|---|--|
| N | Non-adjustable | |
| P | Push Style Manual Override | |
| T | Push and Twist Style Manual Override | |

SOLENOID OPERATED VALVES (Poppet 2-Way Normally-Open Cartridge Style)



| TECHNICAL DATA | |
|----------------------------------|--|
| Max.Operating pressure: | 350 bar |
| Rated flow: | 150 l/min |
| Cavity-Tooling: | 12W-2 |
| Installation torque: | 54-66 Nm |
| Weight: | 0.23 kg |
| Fluids-Temperatures: | -40~120 °C |
| Internal Leakage: | 0.15cc/minute (3 drops/minute) max.at 350 bar |
| Filtration: | 25 µm nominal or better |
| Minimun Voltage Required: | 90 % of nominal |
| Coils must be ordered separately | |
| Mounting Position: | unrestricted |



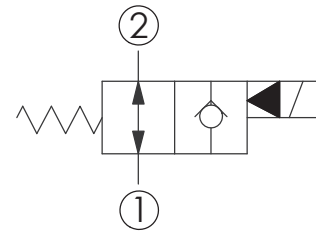
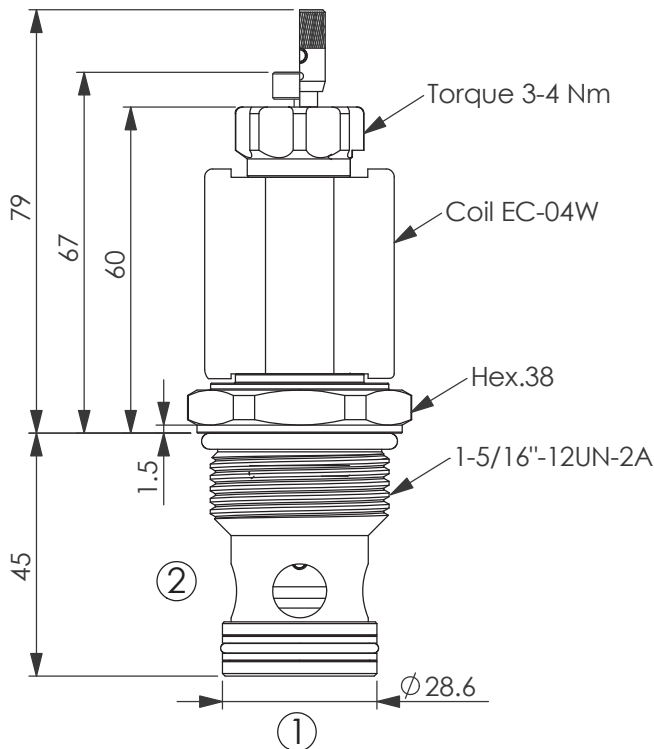
| Y | OPERATION |
|-----------|--|
| 04 | Normally-Open,Reverse Flow De-energized ,Nose-in,Side-out Operation |

| X | STRUCTURE |
|-----------|-------------------------|
| 2A | 2 Ports · 20 Watt. Coil |

| Z | OPTIONS |
|----------|---|
| N | Non-adjustable |
| P | Push Style Manual Override |
| T | Push and Twist Style Manual Override |

SOLENOID OPERATED VALVES (Poppet 2-Way Normally-Open Cartridge Style)

Ordering Code: **EP-16W-X-Y-Z-05**



TECHNICAL DATA

Max. Operating pressure: 350 bar

Rated flow: 150 l/min

Cavity-Tooling: 16W-2

Installation torque: 80-100 Nm

Weight: 0.23 kg

Fluids-Temperatures: -40~120 °C

Internal Leakage: 0.15cc/minute
(3 drops/minute) max.at 350 bar

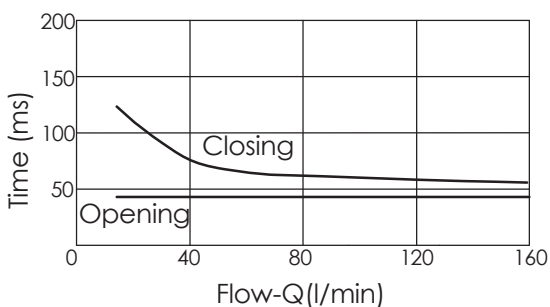
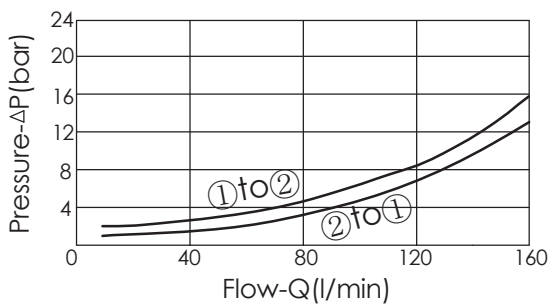
Filtration: 25 µm nominal or better

Minimum Voltage Required:
90 % of nominal

Coils must be ordered separately

Mounting Position: unrestricted

UNIT:mm



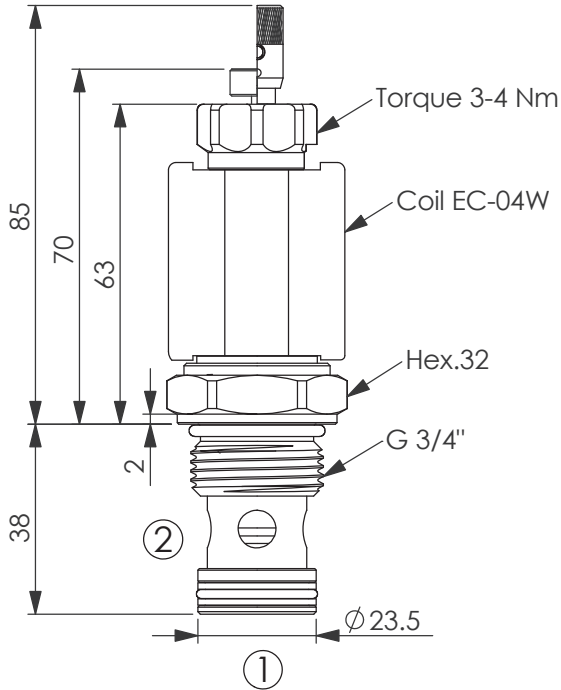
| X | STRUCTURE | |
|----|-------------------------|--|
| 2A | 2 Ports · 20 Watt. Coil | |

| Y | OPERATION | |
|----|--|--|
| 04 | Normally-Open, Reverse Flow De-energized, Nose-in, Side-out Operation | |

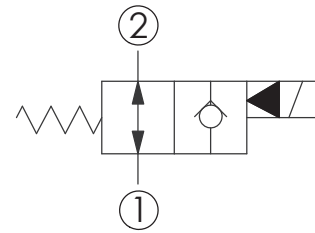
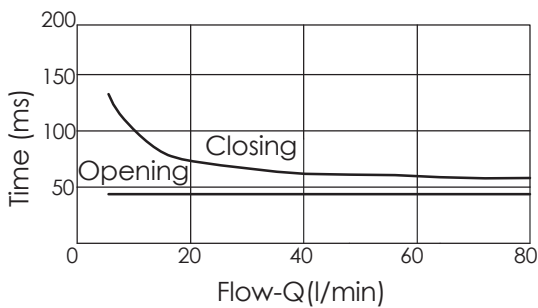
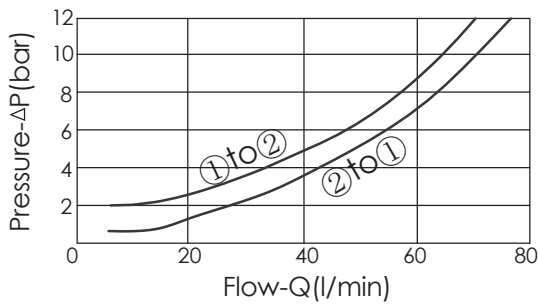
| Z | OPTIONS | |
|---|---|--|
| N | Non-adjustable | |
| P | Push Style Manual Override | |
| T | Push and Twist Style Manual Override | |

SOLENOID OPERATED VALVES (Poppet 2-Way Normally-Open Cartridge Style)

Ordering Code: **EP-17E-X-Y-Z-05**



UNIT:mm



TECHNICAL DATA

Max.Operating pressure: 350 bar

Rated flow: 70 l/min

Cavity-Tooling: 17E-2

Installation torque: 54-66 Nm

Weight: 0.22 kg

Fluids-Temperatures: -40~120 °C

Internal Leakage: 0.15cc/minute

(3 drops/minute) max.at 350 bar

Filtration: 25 µm nominal or better

Minimum Voltage Required:


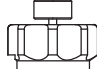

90 % of nominal

Coils must be ordered separately

Mounting Position: unrestricted

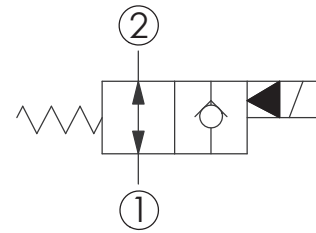
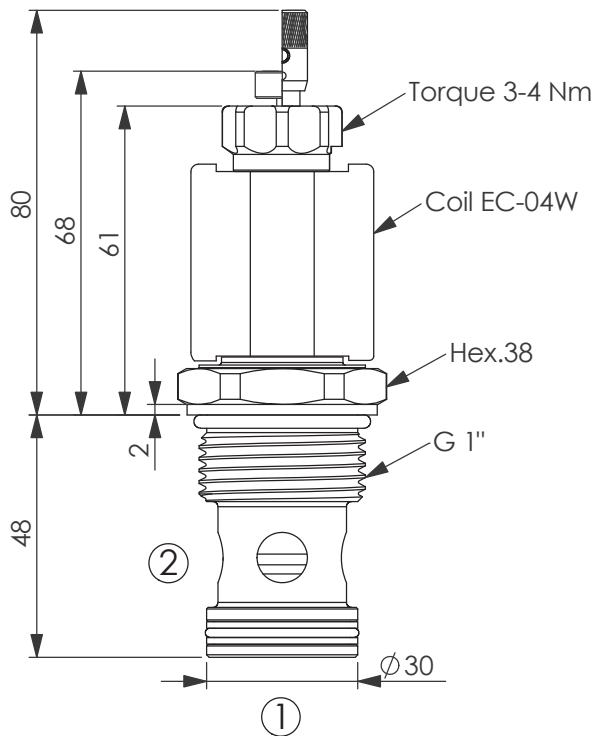
| X | STRUCTURE |
|----|-------------------------|
| 2A | 2 Ports · 20 Watt. Coil |

| Y | OPERATION |
|----|---|
| 04 | Normally-Open,Reverse Flow De-energized ,Nose-in,Side-out Operation |

| Z | OPTIONS |
|---|--|
| N | Non-adjustable  |
| P | Push Style Manual Override  |
| T | Push and Twist Style Manual Override  |

SOLENOID OPERATED VALVES (Poppet 2-Way Normally-Open Cartridge Style)

Ordering Code: **EP-21E-X-Y-Z-05**



TECHNICAL DATA

Max. Operating pressure: 350 bar

Rated flow: 150 l/min

Cavity-Tooling: 21E-2

Installation torque: 80-100 Nm

Weight: 0.35 kg

Fluids-Temperatures: -40~120 °C

Internal Leakage: 0.15cc/minute
(3 drops/minute) max.at 350 bar

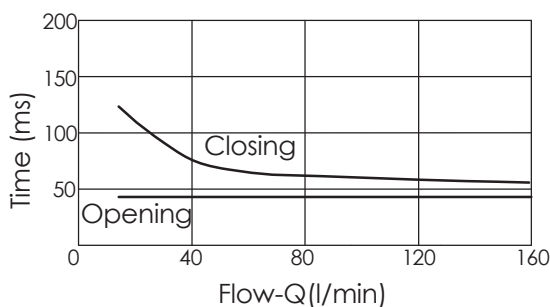
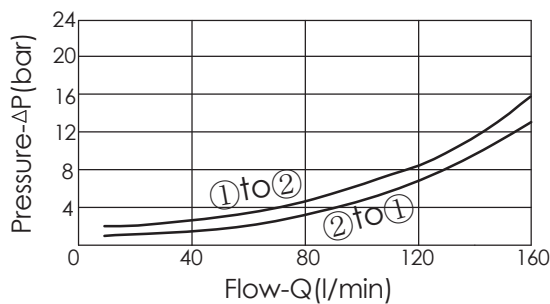
Filtration: 25 µm nominal or better

Minimum Voltage Required:
90 % of nominal

Coils must be ordered separately

Mounting Position: unrestricted

UNIT:mm



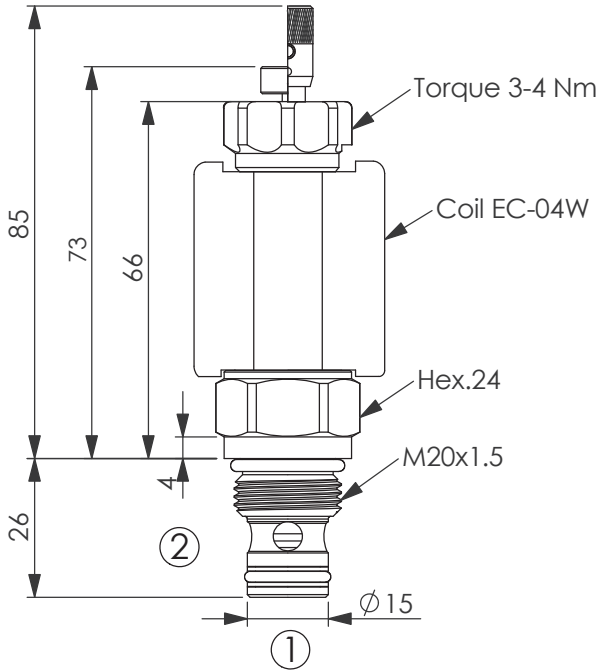
| X | STRUCTURE | |
|----|-------------------------|--|
| 2A | 2 Ports · 20 Watt. Coil | |

| Y | OPERATION | |
|----|--|--|
| 04 | Normally-Open, Reverse Flow De-energized, Nose-in, Side-out Operation | |

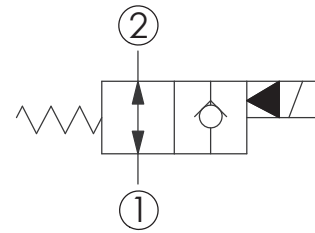
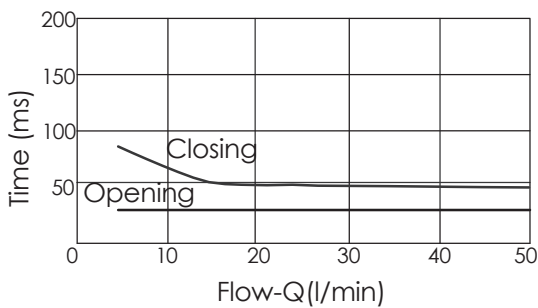
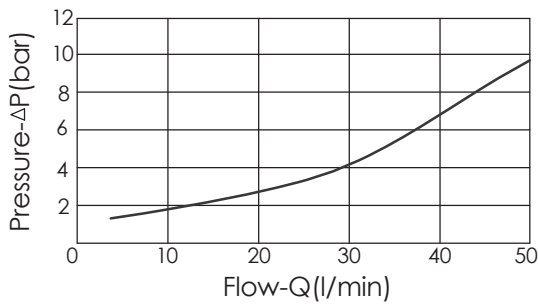
| Z | OPTIONS | |
|---|---|--|
| N | Non-adjustable | |
| P | Push Style Manual Override | |
| T | Push and Twist Style Manual Override | |

SOLENOID OPERATED VALVES (Poppet 2-Way Normally-Open Cartridge Style)

Ordering Code: **EP-20M-X-Y-Z-05**



UNIT:mm



TECHNICAL DATA

Max.Operating pressure: 350 bar

Rated flow: 40 l/min

Cavity-Tooling: 20M-2

Installation torque: 39-51 Nm

Weight: 0.13 kg

Fluids-Temperatures: -40~120 °C

Internal Leakage: 0.15cc/minute

(3 drops/minute) max.at 350 bar

Filtration: 25 μm nominal or better

Minimum Voltage Required:

90 % of nominal

Coils must be ordered separately

Mounting Position: unrestricted

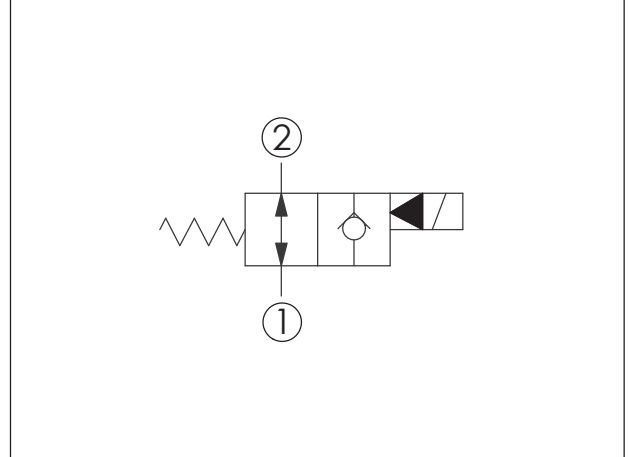
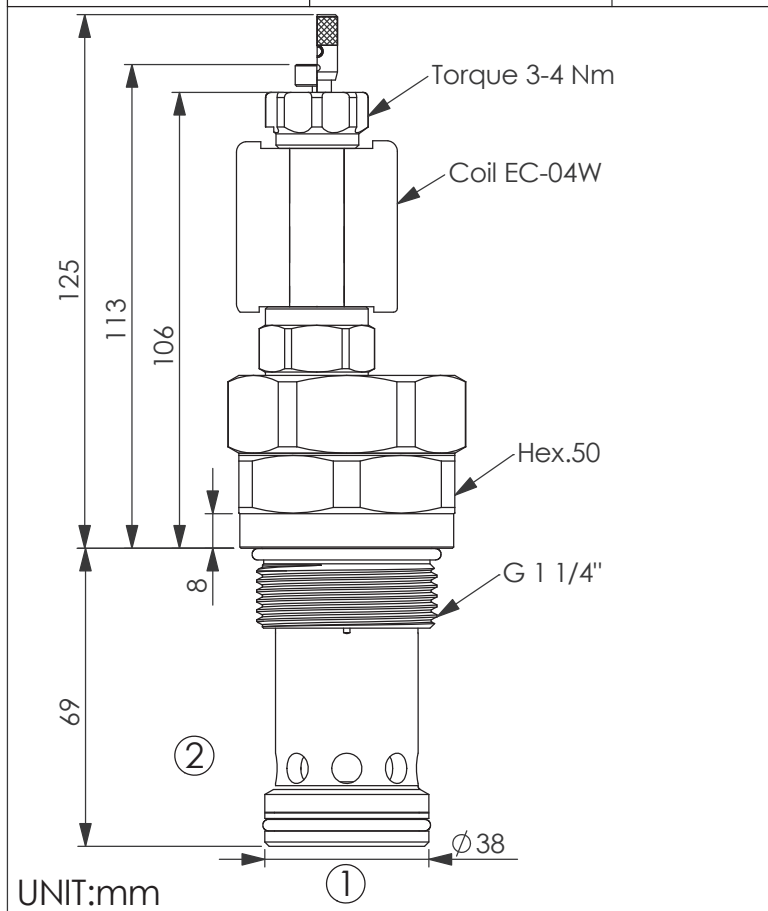
| X | STRUCTURE | |
|----|-------------------------|--|
| 2A | 2 Ports · 20 Watt. Coil | |

| Y | OPERATION | |
|----|--|--|
| 04 | Normally-Open,Reverse Flow De-energized ,Nose-in,Side-out Operation | |

| Z | OPTIONS | |
|---|---|--|
| N | Non-adjustable | |
| P | Push Style Manual Override | |
| T | Push and Twist Style Manual Override | |

SOLENOID OPERATED VALVES (Poppet 2-Way Normally-Open Cartridge Style)

Ordering Code: **EP-04E-X-Y-Z-05**



TECHNICAL DATA

Max.Operating pressure: 350 bar

Rated flow: 260 l/min

Cavity-Tooling: 04E-2

Installation torque: 110-130 Nm

Weight: 1.13 kg

Fluids-Temperatures: -40~120 °C

Internal Leakage: 0.15cc/minute

(3 drops/minute) max.at 350 bar

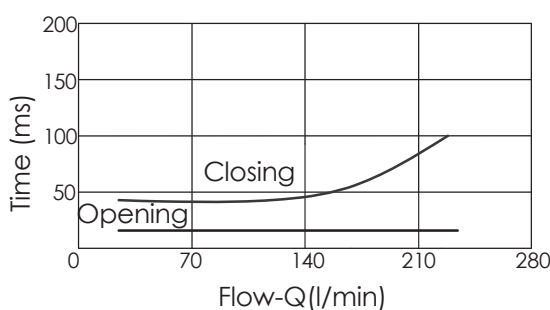
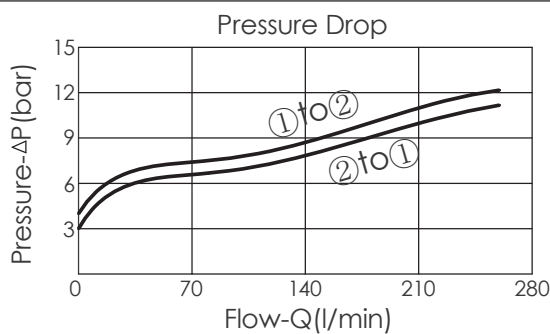
Filtration: 25 μ m nominal or better

Minimum Voltage Required:

90 % of nominal

Coils must be ordered separately

Mounting Position: unrestricted



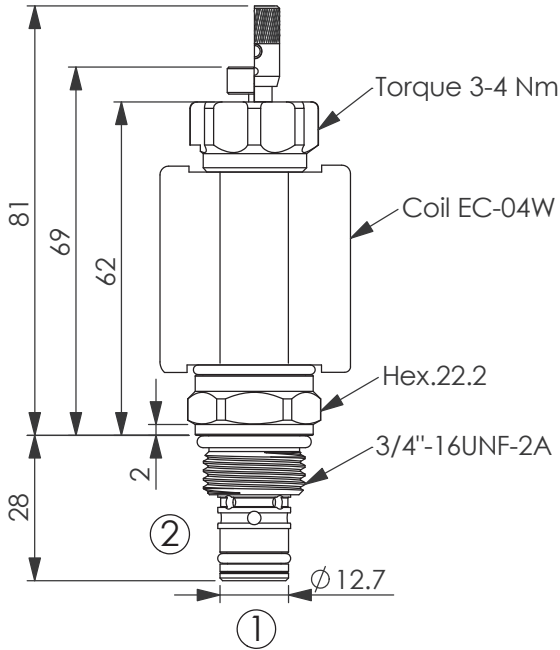
| X | STRUCTURE | |
|----|--|--|
| 2A | 2 Ports · 20 Watt. Coil ϕ 12.7 mm tube | |

| Y | OPERATION | |
|----|--|--|
| 04 | Normally-Open,Reverse Flow De-energized ,Nose-in,Side-out Operation | |

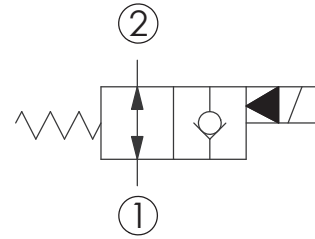
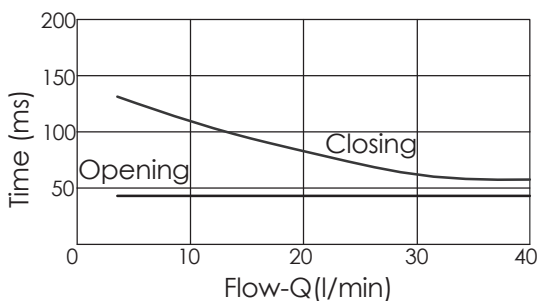
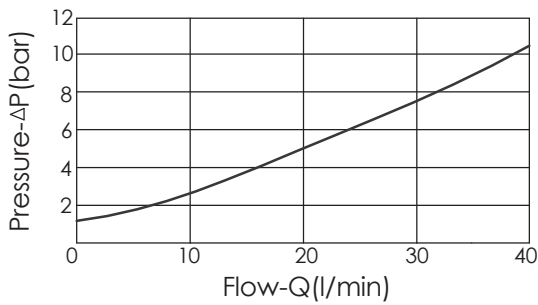
| Z | OPTIONS | |
|---|---|--|
| N | Non-adjustable | |
| P | Push Style Manual Override | |
| T | Push and Twist Style Manual Override | |

SOLENOID OPERATED VALVES (Poppet 2-Way Normally-Open Cartridge Style)

Ordering Code: **EP-08W-X-Y-Z-04**



UNIT:mm



TECHNICAL DATA

| | | |
|----------------------------------|--|-------|
| Max.Operating pressure: | 350 | bar |
| Rated flow: | 30 | l/min |
| Cavity-Tooling: | 08W-2 | |
| Installation torque: | 39-51 | Nm |
| Weight: | 0.13 | kg |
| Fluids-Temperatures: | -40~120 | °C |
| Internal Leakage: | 0.15cc/minute (3 drops/minute) max.at 350 bar | |
| Filtration: | 25 μm nominal or better | |
| Minimun Voltage Required: | 90 % of nominal | |
| Coils must be ordered separately | | |
| Mounting Position: | unrestricted | |

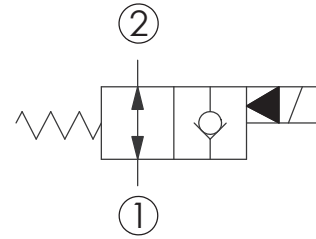
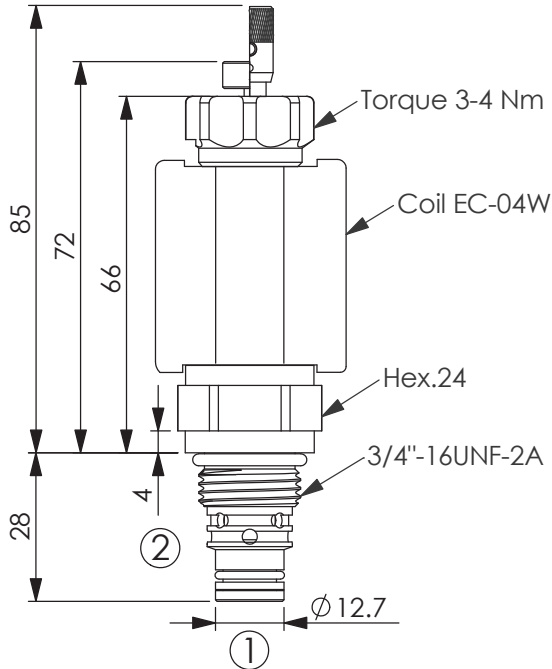
| X | STRUCTURE | |
|----|-----------|---------------|
| 2A | 2 Ports | 20 Watt. Coil |

| Y | OPERATION | |
|----|---------------|---------------------------|
| 06 | Normally-Open | Reverse Flow De-Energized |

| Z | OPTIONS | |
|---|---|--|
| N | Non-adjustable | |
| P | Push Style Manual Override | |
| T | Push and Twist Style Manual Override | |

SOLENOID OPERATED VALVES (Poppet 2-Way Normally-Open Cartridge Style)

Ordering Code: **EP-08W-X-Y-Z-05**



TECHNICAL DATA

Max. Operating pressure: 350 bar

Rated flow: 40 l/min

Cavity-Tooling: 08W-2

Installation torque: 39-51 Nm

Weight: 0.13 kg

Fluids-Temperatures: -40~120 °C

Internal Leakage: 0.15cc/minute
(3 drops/minute) max. at 350 bar

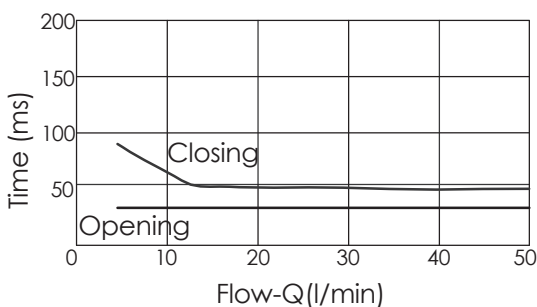
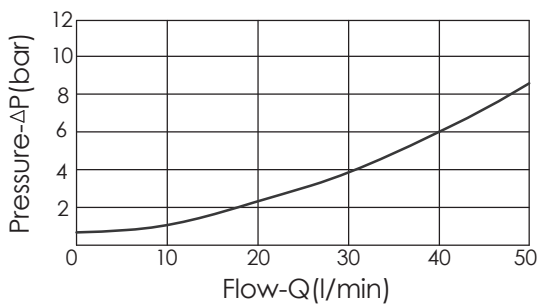
Filtration: 25 µm nominal or better

Minimum Voltage Required:
90 % of nominal

Coils must be ordered separately

Mounting Position: unrestricted

UNIT:mm

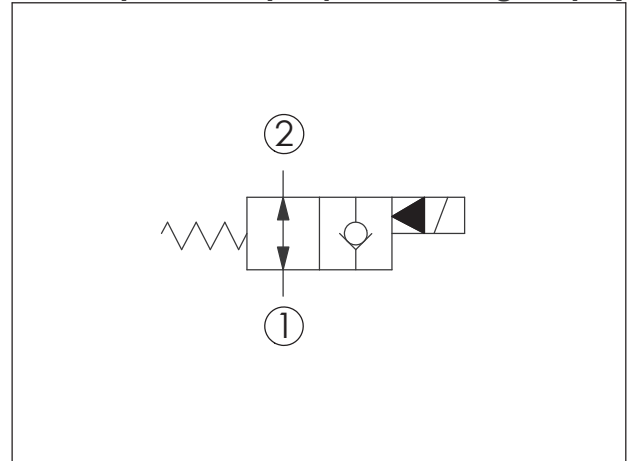
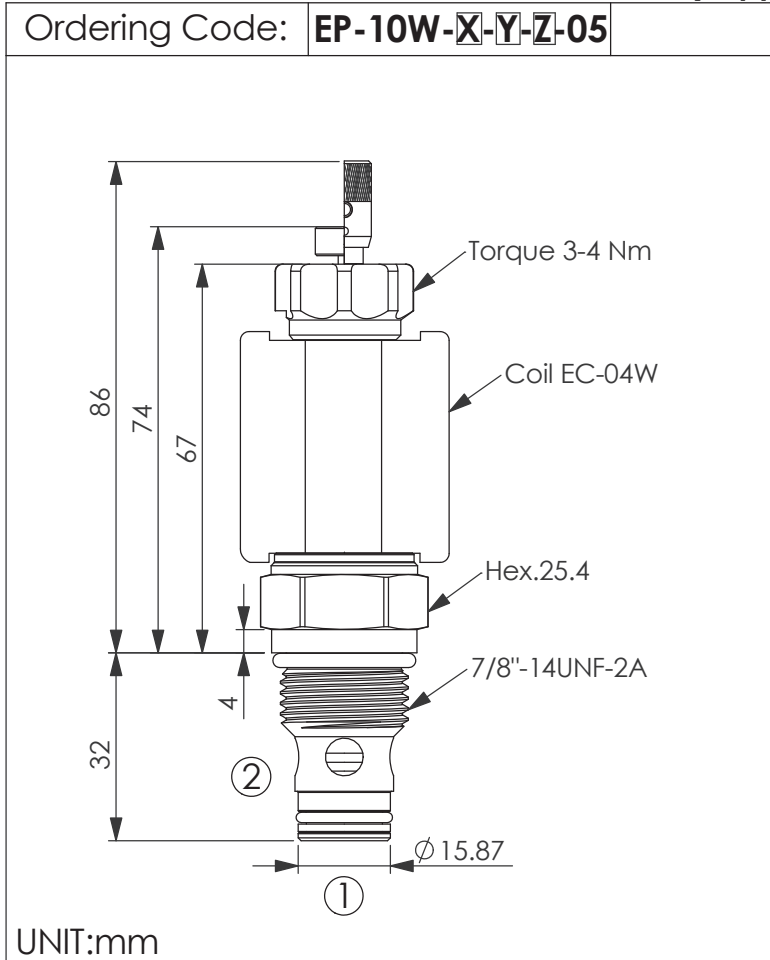


| X | STRUCTURE | |
|----|-------------------------|--|
| 2A | 2 Ports - 20 Watt. Coil | |

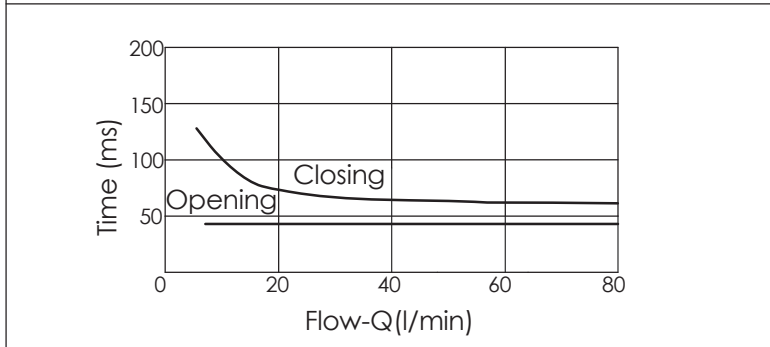
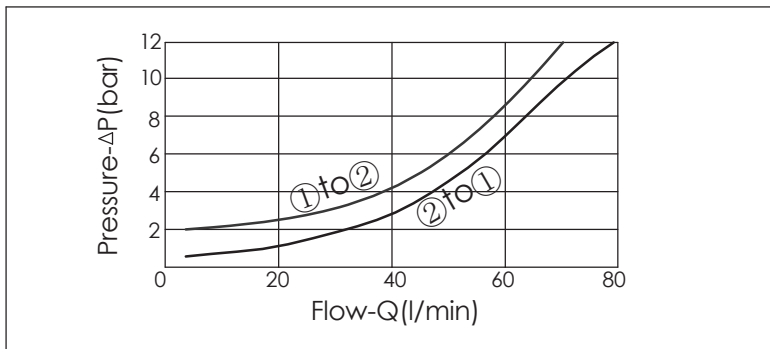
| Y | OPERATION | |
|----|--|--|
| 06 | Normally-Open Reverse Flow De-Energized | |

| Z | OPTIONS | |
|---|---|--|
| N | Non-adjustable | |
| P | Push Style Manual Override | |
| T | Push and Twist Style Manual Override | |

SOLENOID OPERATED VALVES (Poppet 2-Way Normally-Open Cartridge Style)


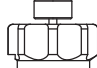



| TECHNICAL DATA | |
|----------------------------------|--|
| Max.Operating pressure: | 350 bar |
| Rated flow: | 70 l/min |
| Cavity-Tooling: | 10W-2 |
| Installation torque: | 44-56 Nm |
| Weight: | 0.16 kg |
| Fluids-Temperatures: | -40~120 °C |
| Internal Leakage: | 0.15cc/minute (3 drops/minute) max.at 350 bar |
| Filtration: | 25 µm nominal or better |
| Minimum Voltage Required: | 90 % of nominal |
| Coils must be ordered separately | |
| Mounting Position: | unrestricted |



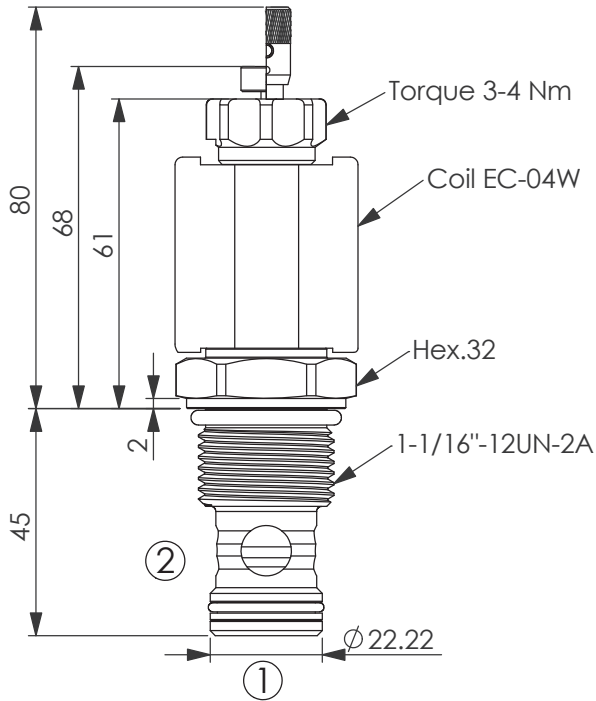
| X | STRUCTURE |
|----|-------------------------|
| 2A | 2 Ports - 20 Watt. Coil |

| Y | OPERATION |
|----|--|
| 06 | Normally-Open Reverse Flow De-Energized |

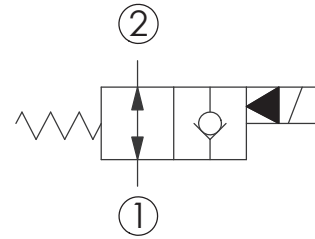
| Z | OPTIONS |
|---|---|
| N | Non-adjustable  |
| P | Push Style Manual Override  |
| T | Push and Twist Style Manual Override  |

SOLENOID OPERATED VALVES (Poppet 2-Way Normally-Open Cartridge Style)

Ordering Code: **EP-12W-X-Y-Z-05**



UNIT:mm



TECHNICAL DATA

Max.Operating pressure: 350 bar

Rated flow: 150 l/min

Cavity-Tooling: 12W-2

Installation torque: 54-66 Nm

Weight: 0.23 kg

Fluids-Temperatures: -40~120 °C

Internal Leakage: 0.15cc/minute

(3 drops/minute) max.at 350 bar

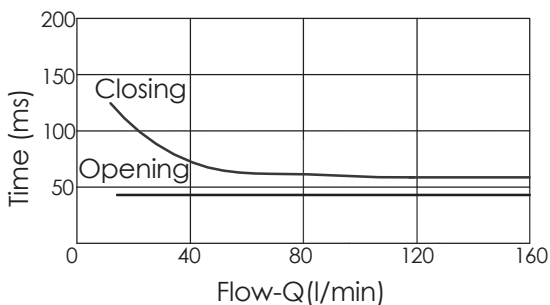
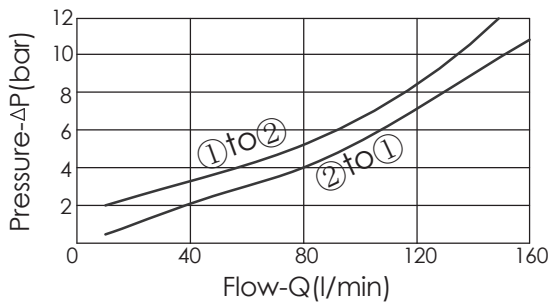
Filtration: 25 µm nominal or better

Minimum Voltage Required:



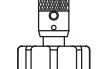
90 % of nominal

Coils must be ordered separately

Mounting Position: unrestricted



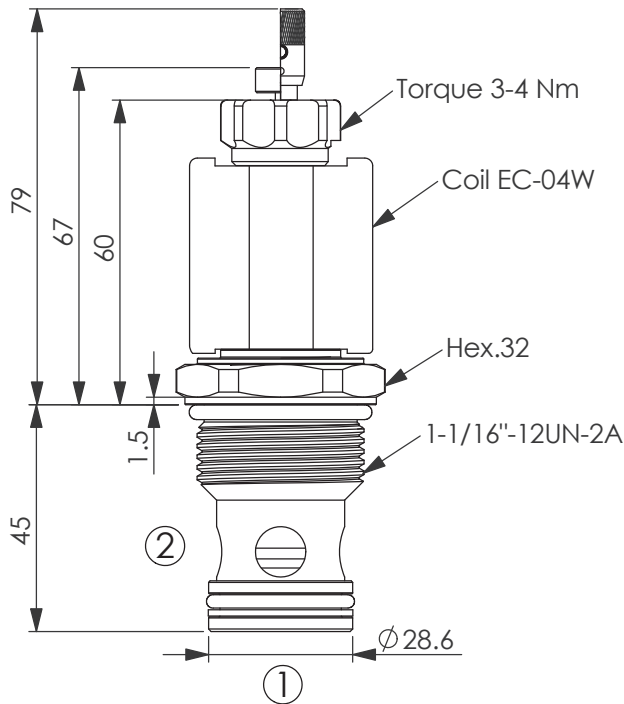
| X | STRUCTURE | |
|----|-----------|---------------|
| 2A | 2 Ports | 20 Watt. Coil |

| Z | OPTIONS | |
|---|---|---|
| N | Non-adjustable |  |
| P | Push Style Manual Override |  |
| T | Push and Twist Style Manual Override |  |

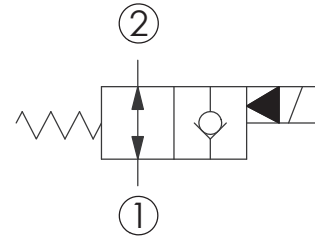
| Y | OPERATION | |
|----|--|--|
| 06 | Normally-Open Reverse Flow De-Energized | |

SOLENOID OPERATED VALVES (Poppet 2-Way Normally-Open Cartridge Style)

Ordering Code: **EP-16W-X-Y-Z-05**



UNIT:mm



TECHNICAL DATA

Max.Operating pressure: 350 bar

Max. flow: 150 l/min

Cavity-Tooling: 16W-2

Installation torque: 80-100 Nm

Weight: 0.35 kg

Fluids-Temperatures: -40~120 °C

Internal Leakage: 0.15cc/minute

(3 drops/minute) max.at 350 bar

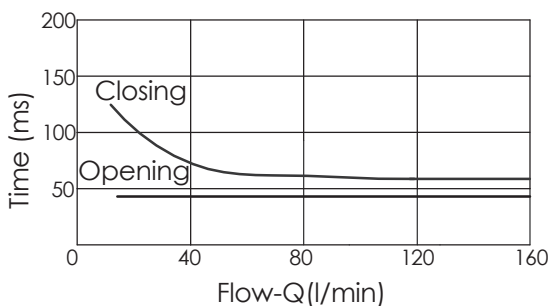
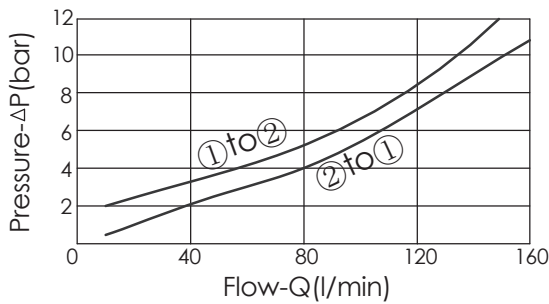
Filtration: 25 µm nominal or better

Minimum Voltage Required:

90 % of nominal

Coils must be ordered separately

Mounting Position: unrestricted



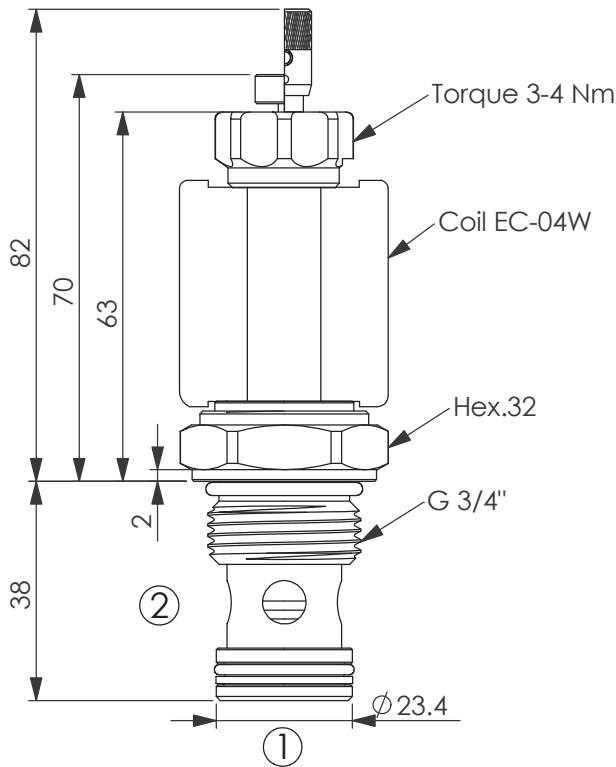
| X | STRUCTURE | |
|----|-----------|---------------|
| 2A | 2 Ports | 20 Watt. Coil |

| Y | OPERATION | |
|----|--|--|
| 06 | Normally-Open Reverse Flow De-Energized | |

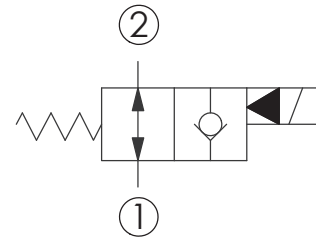
| Z | OPTIONS | |
|---|---|--|
| N | Non-adjustable | |
| P | Push Style Manual Override | |
| T | Push and Twist Style Manual Override | |

SOLENOID OPERATED VALVES (Poppet 2-Way Normally-Open Cartridge Style)

Ordering Code: **EP-17E-X-Y-Z-05**



UNIT:mm



TECHNICAL DATA

Max.Operating pressure: 350 bar

Rated flow: 70 l/min

Cavity-Tooling: 17E-2

Installation torque: 54-66 Nm

Weight: 0.22 kg

Fluids-Temperatures: -40~120 °C

Internal Leakage: 0.15cc/minute

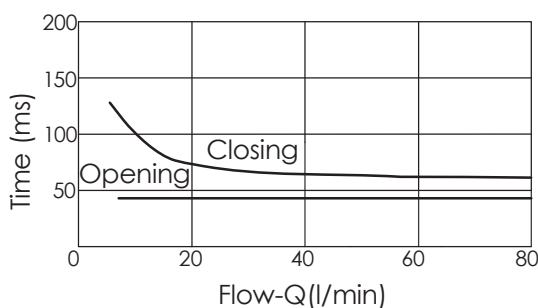
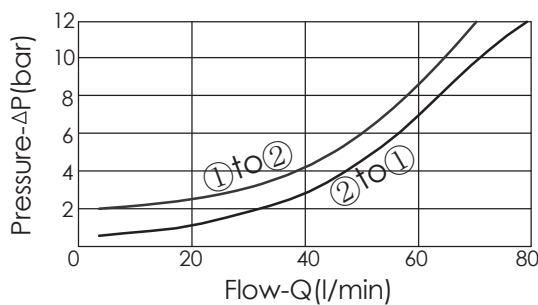
(3 drops/minute) max.at 350 bar

Filtration: 25 µm nominal or better

Minimum Voltage Required:
90 % of nominal

Coils must be ordered separately

Mounting Position: unrestricted



| X | STRUCTURE | |
|----|-----------|---------------|
| 2A | 2 Ports | 20 Watt. Coil |

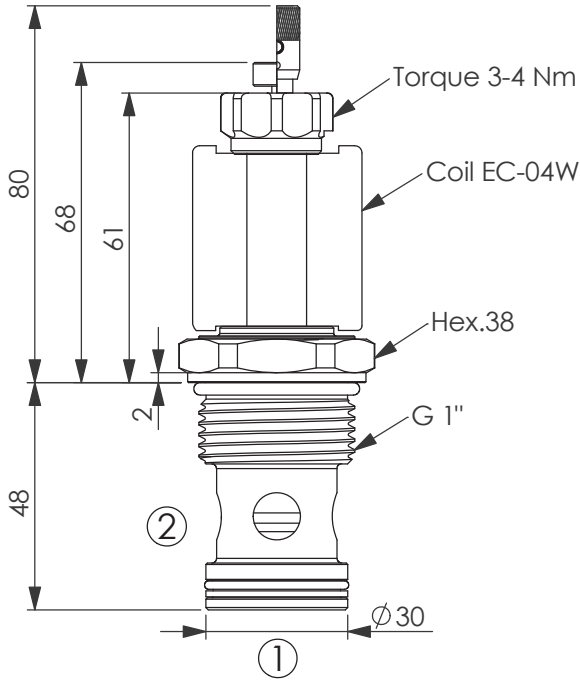
| Z | OPTIONS | |
|---|---|--|
| N | Non-adjustable | |
| P | Push Style Manual Override | |
| T | Push and Twist Style Manual Override | |

Y OPERATION

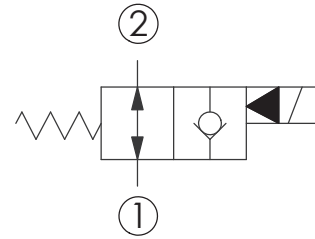
06 Normally-Open
Reverse Flow De-Energized

SOLENOID OPERATED VALVES (Poppet 2-Way Normally-Open Cartridge Style)

Ordering Code: **EP-21E-X-Y-Z-05**



UNIT:mm



TECHNICAL DATA

Max.Operating pressure: 350 bar

Rated flow: 150 l/min

Cavity-Tooling: 21E-2

Installation torque: 80-100 Nm

Weight: 0.35 kg

Fluids-Temperatures: -40~120 °C

Internal Leakage: 0.15cc/minute

(3 drops/minute) max.at 350 bar

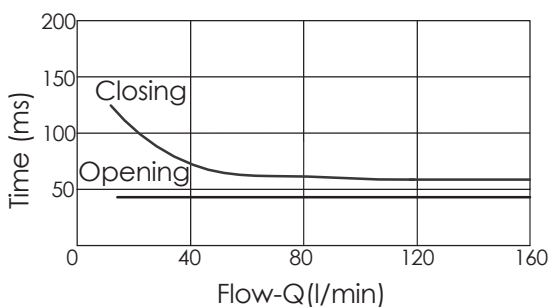
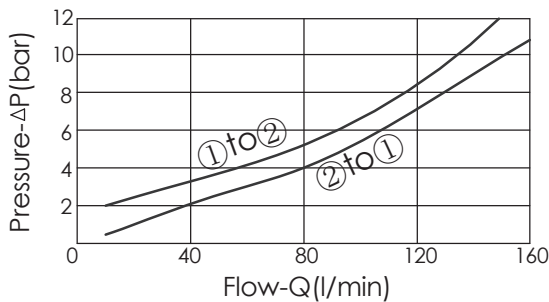
Filtration: 25 µm nominal or better

Minimum Voltage Required:

90 % of nominal



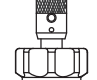
Coils must be ordered separately

Mounting Position: unrestricted

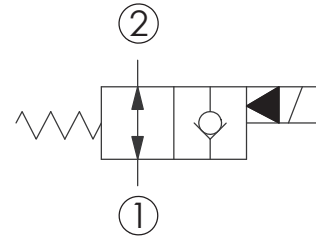
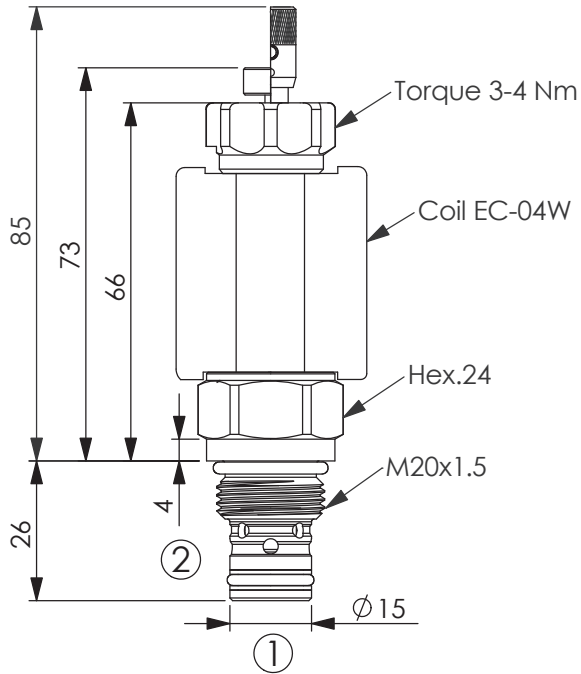


| X | STRUCTURE |
|----|-------------------------|
| 2A | 2 Ports · 20 Watt. Coil |

| Y | OPERATION |
|----|--|
| 06 | Normally-Open Reverse Flow De-Energized |

| Z | OPTIONS |
|---|---|
| N | Non-adjustable  |
| P | Push Style Manual Override  |
| T | Push and Twist Style Manual Override  |

Ordering Code: **EP-20M-X-Y-Z-05**



TECHNICAL DATA

Max. Operating pressure: 350 bar

Rated flow: 40 l/min

Cavity-Tooling: 20M-2

Installation torque: 39-51 Nm

Weight: 0.13 kg

Fluids-Temperatures: -40~120 °C

Internal Leakage: 0.15cc/minute
(3 drops/minute) max. at 350 bar

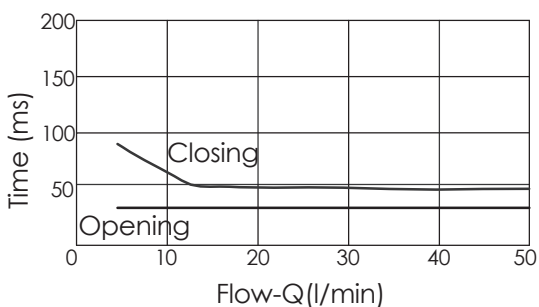
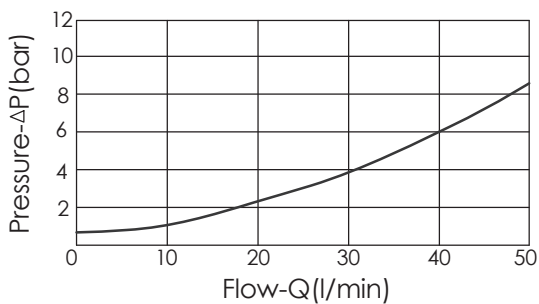
Filtration: 25 µm nominal or better

Minimum Voltage Required:
90 % of nominal

Coils must be ordered separately

Mounting Position: unrestricted

UNIT:mm



| X | STRUCTURE | |
|----|-------------------------|--|
| 2A | 2 Ports · 20 Watt. Coil | |

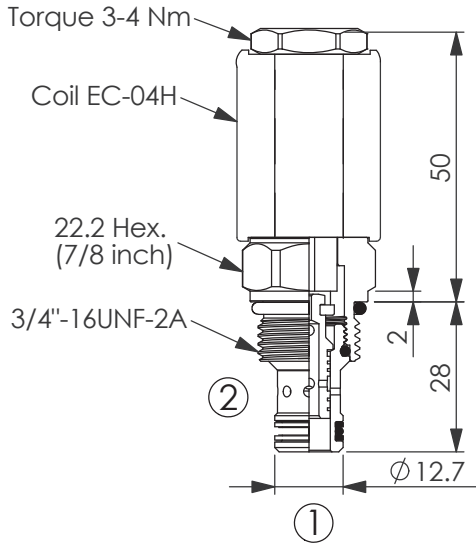
| Y | OPERATION | |
|----|--|--|
| 06 | Normally-Open Reverse Flow De-Energized | |

| Z | OPTIONS | |
|---|---|--|
| N | Non-adjustable | |
| P | Push Style Manual Override | |
| T | Push and Twist Style Manual Override | |

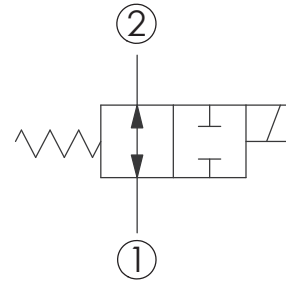
SOLENOID OPERATED VALVES (Spool 2-Way Normally Open)

Ordering Code: **ES-08W-X-Y-Z-04**

Note: This valve is designed for space-limited application. It only use **EC-04H** coil. Please contact our Sales Department for any information.



UNIT:mm



TECHNICAL DATA

Max. Operating pressure: 350 bar

Rated flow: 8 l/min

Cavity-Tooling: 08W-2

Installation torque: 39-51 Nm

Weight: 0.10 kg

Fluids-Temperatures: -40~120 °C

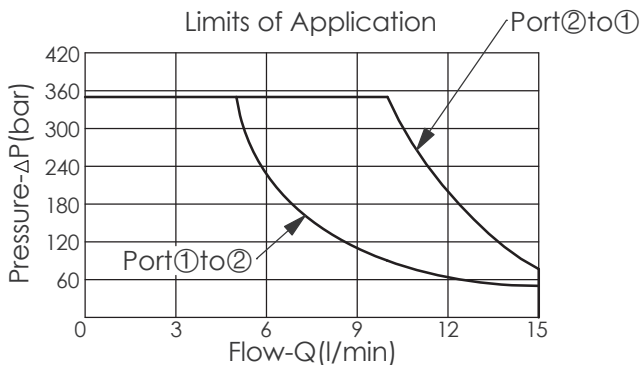
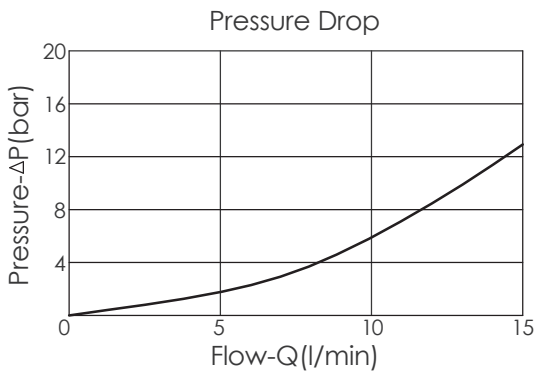
Internal Leakage: 80cc/minute
max.at 210 bar

Filtration: 25 μm nominal or better

Minimum Voltage Required:
90 % of nominal

Coils must be ordered separately

Mounting Position: unrestricted



| X | STRUCTURE | |
|----|-------------------------|--|
| 2H | 2 Ports、14.7 Watt. Coil | |
| | ∅ 12.7 mm tube | |

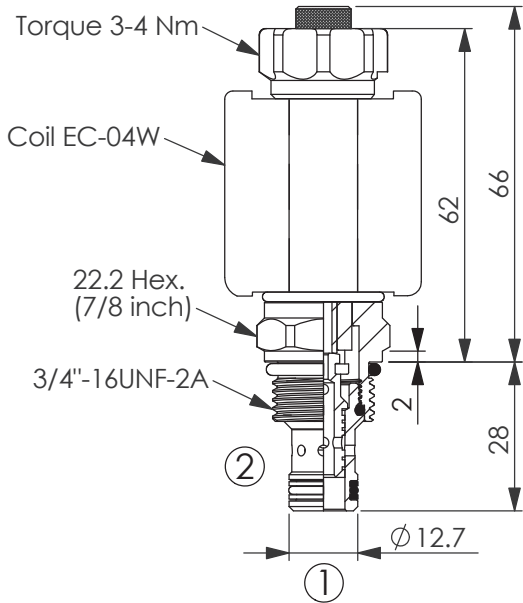
| Z | OPTIONS | |
|---|----------------|--|
| N | Non-adjustable | |

Y OPERATION

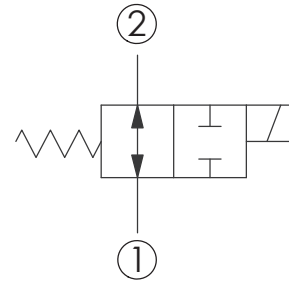
15 Spool 2-way, 2-Position Normally-Open

SOLENOID OPERATED VALVES (Spool 2-Way Normally-Open)

Ordering Code: **ES-08W-X-Y-Z-04**



UNIT:mm



TECHNICAL DATA

Max.Operating pressure: 350 bar

Rated flow: 10 l/min

Cavity-Tooling: 08W-2

Installation torque: 39-51 Nm

Weight: 0.10 kg

Fluids-Temperatures: -40~120 °C

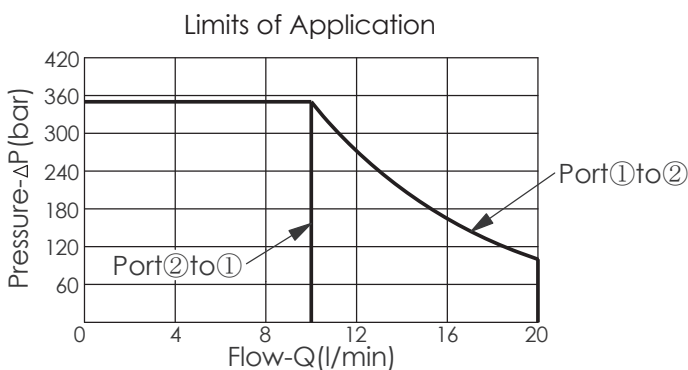
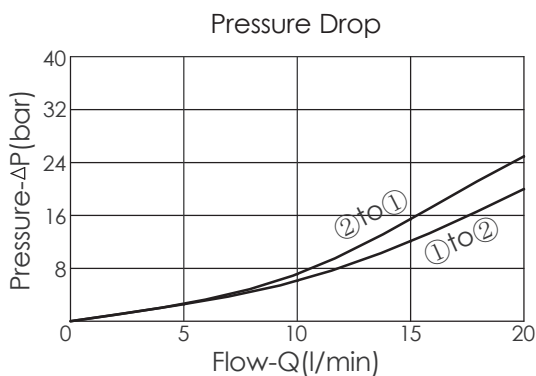
Internal Leakage: 80cc/minute
max.at 210 bar

Filtration: 25 µm nominal or better

Minimum Voltage Required:
90 % of nominal

Coils must be ordered separately

Mounting Position: unrestricted



Y OPERATION

15 Spool 2-way, 2-Position Normally-Open

X STRUCTURE

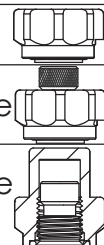
2A 2 Ports · 20 Watt. Coil
Ø 12.7 mm tube

Z OPTIONS

N Non-adjustable

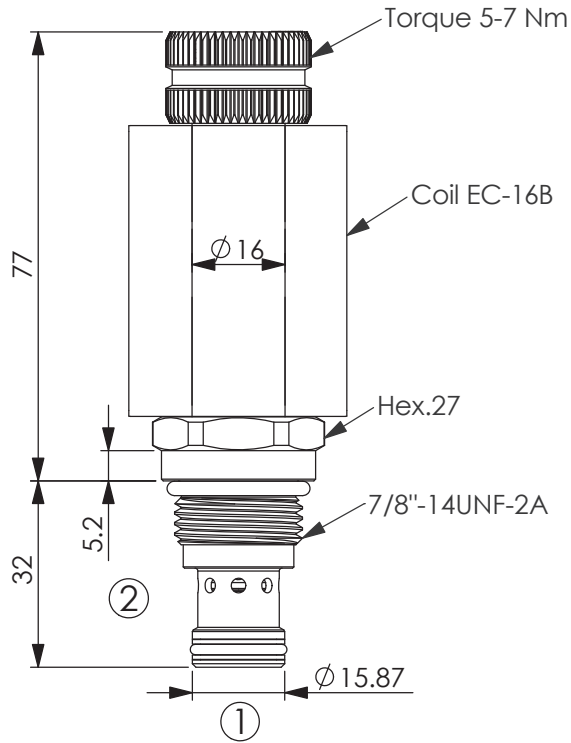
M Screw-out Knob Style

MC Screw-out Knob Style
with Higher Knob

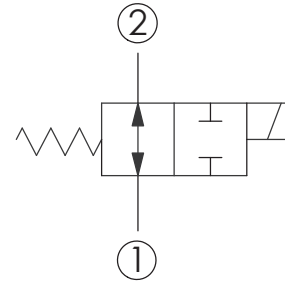


SOLENOID OPERATED VALVES (Spool 2-Way Normally-Open)

Ordering Code: **ES-10W-X-Y-Z-04**

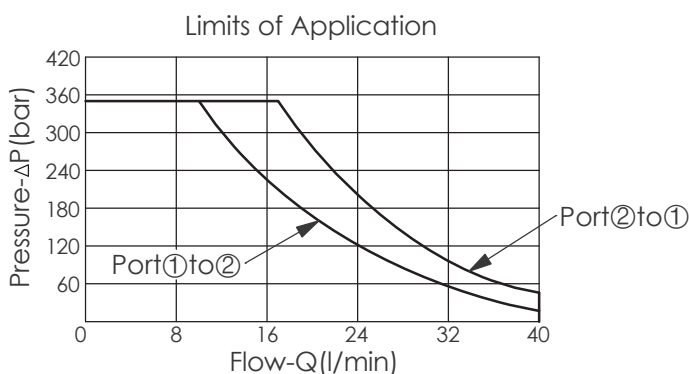
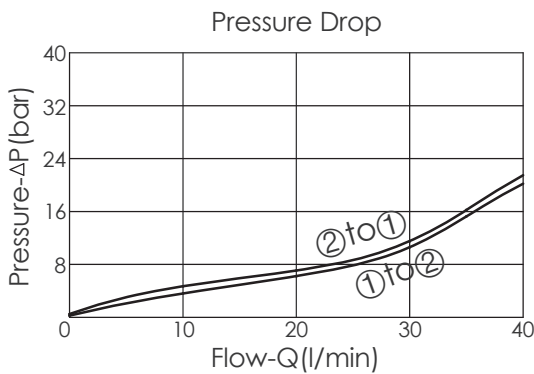


UNIT:mm



TECHNICAL DATA

| | | |
|----------------------------------|----------------------------|-------|
| Rated pressure: | 350 | bar |
| Rated flow: | 25 | l/min |
| Cavity-Tooling: | 10W-2 | |
| Installation torque: | 44-56 | Nm |
| Weight: | 0.19 | kg |
| Fluids-Temperatures: | -40~120 | °C |
| Internal Leakage: | 80cc/minute max.at 210 bar | |
| Filtration: | 25 µm nominal or better | |
| Minimum Voltage Required: | 90 % of nominal | |
| Coils must be ordered separately | | |
| Mounting Position: | unrestricted | |



| | | |
|-----------|--|--|
| X | STRUCTURE | |
| 2C | 2 Ports · 26 Watt. Coil ∅ 16 mm tube | |
| Y | OPERATION | |
| 15 | Spool 2-Way, 2-Position Normally-Open | |
| Z | OPTIONS | |
| N | Non-adjustable | |
| M | Screw-out Knob Style | |

CENTRALA ELBLĄG

Ul. Rawska 19B
82-300 Elbląg

tel. /+48/ 55 625 51 00

fax /+48/ 55 625 51 01

Dział Handlowy

tel. /+48/ 55 625 51 51

elblag@hydropress.pl



www.hydropress.pl

ODDZIAŁ GDAŃSK

tel. /+48/ 55 625 51 21

fax /+48/ 55 625 51 22

ODDZIAŁ RUMIA

tel. /+48/ 58 679 34 15

fax /+48/ 55 625 51 25

ODDZIAŁ TYCHY

tel. /+48/ 32 787 52 88

fax /+48/ 55 625 51 38

ODDZIAŁ OLSZTYN

tel. /+48/ 89 532 01 05

fax /+48/ 89 715 21 42

ODDZIAŁ WARSZAWA

tel. /+48/ 22 468 86 97

fax /+48/ 55 625 51 32

BIURO WE WROCŁAWIU

tel. /+48/ 782 838 000

fax /+48/ 55 625 51 35

BIURO W KIELCACH

tel. /+48/ 885 995 501

fax /+48/ 55 625 51 01

BIURO W KRAKOWIE

tel. /+48/ 885 995 019

fax /+48/ 55 625 51 01

BIURO W OPOLU

tel. /+48/ 885 995 011

fax /+48/ 55 625 51 01

BIURO W BYDGOSZCZY

tel. /+48/ 790 222 771

fax /+48/ 55 625 51 01

BIURO W BIAŁYMSTOKU

tel. /+48/ 89 532 01 05

fax /+48/ 89 715 21 42

BIURO W ŁODZI

tel. /+48/ 609 221 421

fax /+48/ 89 715 21 42