

Winner

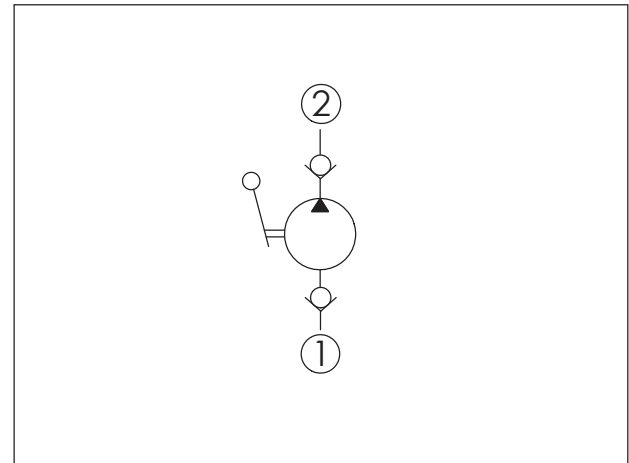


POMPY RĘCZNE NABOJOWE

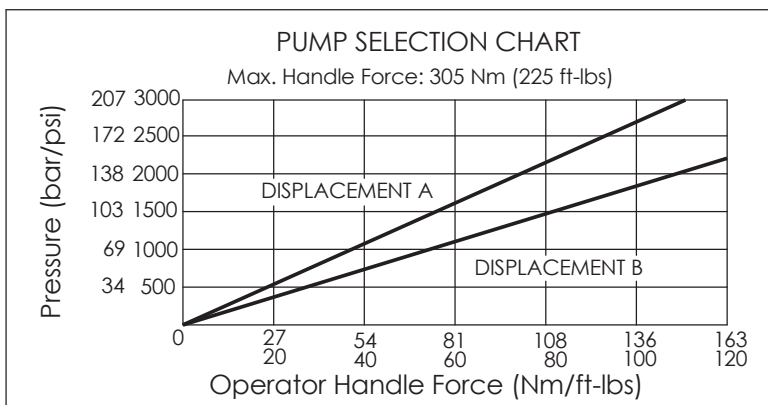
HAND PUMP

Ordering Code: **HP-10W-X-Y-Z**

UNIT:mm



TECHNICAL DATA	
Max. Operating Pressure:	210 bar
Flow:	Up to 10.6 c.c. per stroke
Cavity-Tooling:	10W-2
Installation torque:	35-45 Nm
Weight:	0.83 kg
Lever must be ordered separately.	
Lever order code no. :	7GYAG001
Lever length :	405 mm

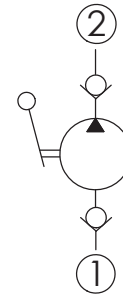
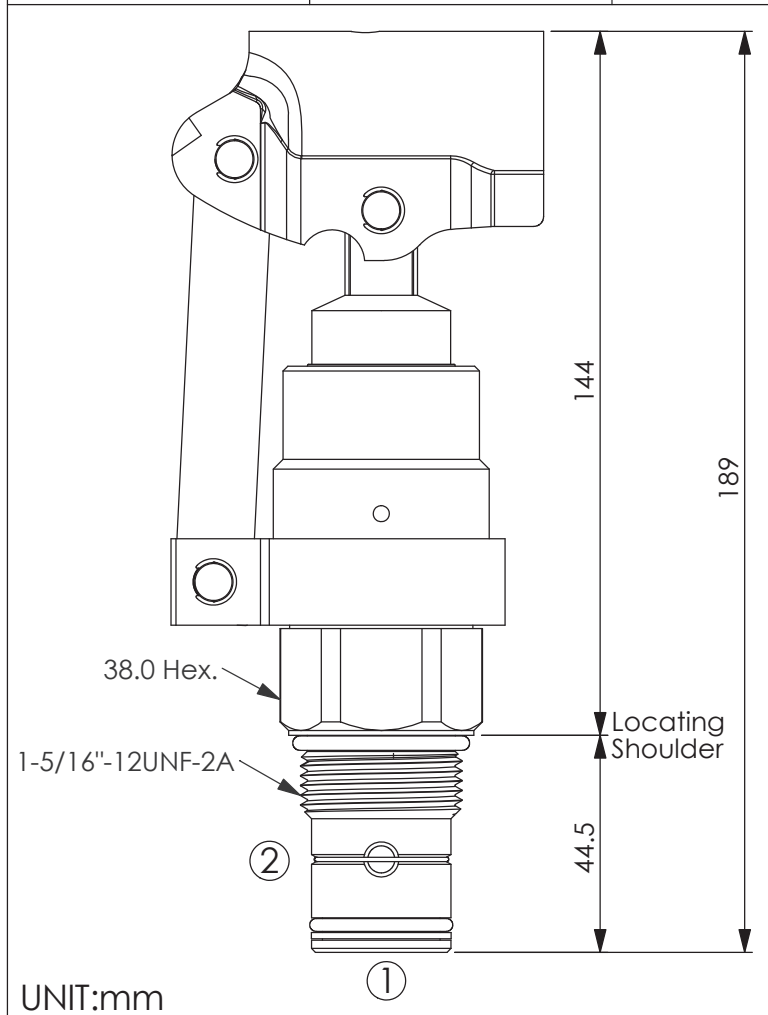


X	OPERATION
20	Push to pressurize

Y	DISPLACEMENT
A	7.4 c.c. per stroke
B	10.6 c.c. per stroke

Z	OPTION
N	Non-adjustable

Ordering Code: **HP-16W-X-Y-Z**



TECHNICAL DATA

Max. Operating Pressure: 210 bar

Pressure Generated by
HP-16W-20 : 100 bar maximum

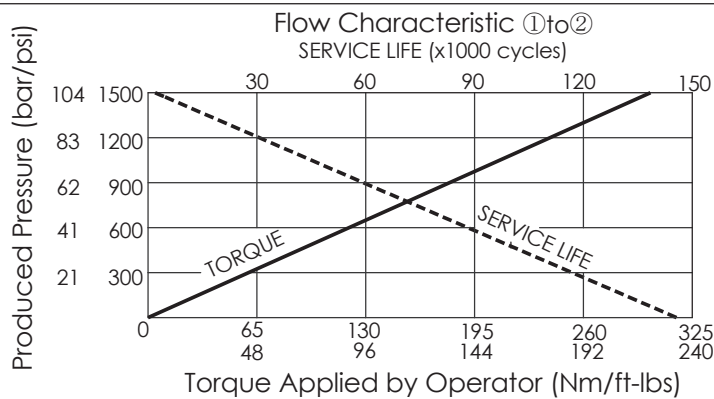
Cavity-Tooling: 16W-2

Installation torque: 60-70 Nm

Weight: 1.35 kg

Lever must be ordered separately.

Lever order code no. : 7GYAG001
Lever length : 405 mm



X OPERATION

20 Push to pressurize

· If the pressure has to be generated over 100 bar, please contact us.

Y DISPLACEMENT

A 21.3 c.c. per stroke

Z OPTION

N Non-adjustable

CENTRALA ELBLĄG

Ul. Rawska 19B
82-300 Elbląg

tel. /+48/ 55 625 51 00

fax /+48/ 55 625 51 01

Dział Handlowy

tel. /+48/ 55 625 51 51

elblag@hydropress.pl



www.hydropress.pl

ODDZIAŁ GDAŃSK

tel. /+48/ 55 625 51 21

fax /+48/ 55 625 51 22

ODDZIAŁ RUMIA

tel. /+48/ 58 679 34 15

fax /+48/ 55 625 51 25

ODDZIAŁ TYCHY

tel. /+48/ 32 787 52 88

fax /+48/ 55 625 51 38

ODDZIAŁ OLSZTYN

tel. /+48/ 89 532 01 05

fax /+48/ 89 715 21 42

ODDZIAŁ WARSZAWA

tel. /+48/ 22 468 86 97

fax /+48/ 55 625 51 32

BIURO WE WROCŁAWIU

tel. /+48/ 782 838 000

fax /+48/ 55 625 51 35

BIURO W KIELCACH

tel. /+48/ 885 995 501

fax /+48/ 55 625 51 01

BIURO W KRAKOWIE

tel. /+48/ 885 995 019

fax /+48/ 55 625 51 01

BIURO W OPOLU

tel. /+48/ 885 995 011

fax /+48/ 55 625 51 01

BIURO W BYDGOSZCZY

tel. /+48/ 790 222 771

fax /+48/ 55 625 51 01

BIURO W BIAŁYMSTOKU

tel. /+48/ 89 532 01 05

fax /+48/ 89 715 21 42

BIURO W ŁODZI

tel. /+48/ 609 221 421

fax /+48/ 89 715 21 42