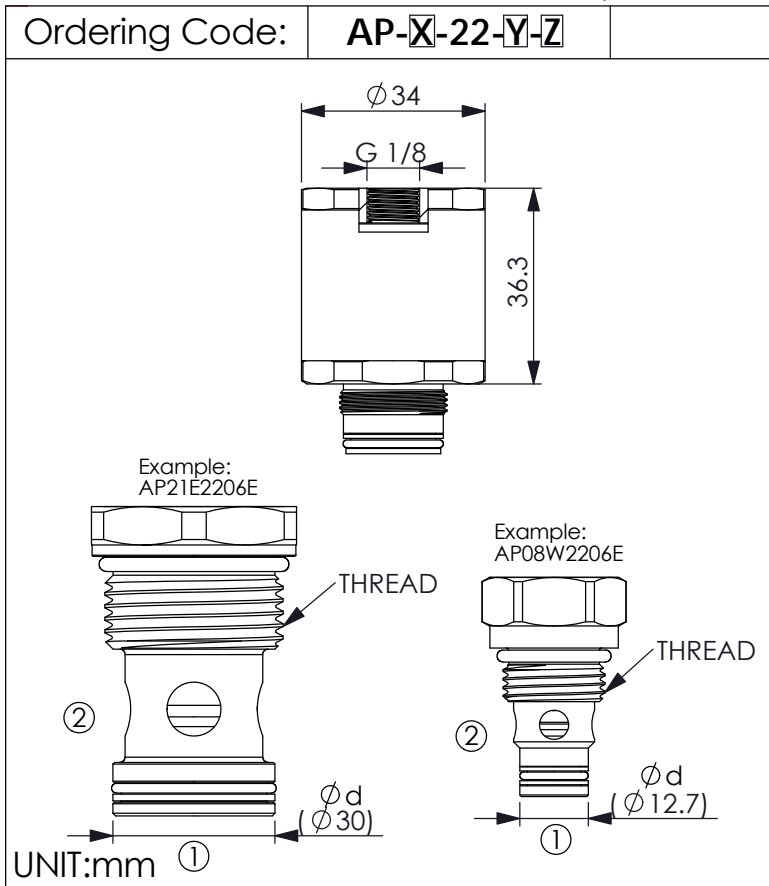


PNEUMATIC OPERATED VALVES (Pneumatic Operated Poppet 2-Way Normally Open)



TECHNICAL DATA		
Max. pressure:	350	bar
Filtration:	25 µm nominal or better	
Mounting Position:	unrestricted	
IMPORTANT: Please contact our Sales Department for any information.		

Y	OPERATIONS	
	DESCRIPTIONS	SYMBOLS
02	Normally-Open No Reverse Flow De-energized	
04	Normally-Open, Reverse Flow De-energized, Nose-in, Side-out Operation	
06	Normally-Open Reverse Flow De-Energized	
08	Normally-Open With Filter No Reverse Flow De-energized	
10	Normally-Open, No Reverse Flow De-energized, Nose-in, Side-out Operation	
12	Normally-Open Internal Reverse Check Valve	
32	Normally Open-Double Lock	

X	OPTIONS		
	THREADS	φd	
08W	3/4"-16UNF-2A	φ 12.7	
10W	7/8"-14UNF-2A	φ 15.87	
12W	1-1/16"-12UN-2A	φ 22.22	
16W	1-5/16"-12UN-2A	φ 28.6	
17E	G 3/4"	φ 23.5	
19E	3/4"-16UNF-2A	φ 15.87	
21E	G 1"	φ 30	
13A	M20x1.5	φ 17.45	
20M	M20x1.5	φ 15	

Z	PNEUMATIC PILOT PRESSURE	
	MIN.	MAX.
E	4 bar	15 bar