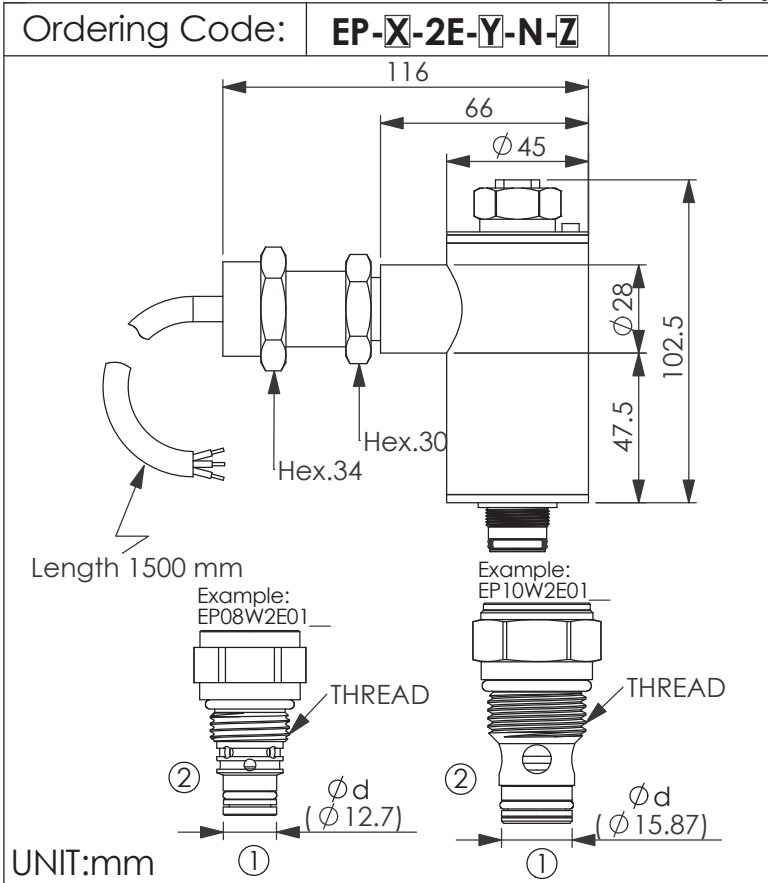




ZAWORY STEROWANE ELEKTRYCZNIE Z ATEX

SOLENOID OPERATED VALVES (Poppet 2-Way With Explosion-Proof Solenoid)



TECHNICAL DATA	
EXPLOSION-PROOF PROTECTION:	
- EEx d IIC T6 according to CENELEC EN 50014 and EN 50018.	
- Ex II 2G according to ATEX 94/9/CE.	
Electrical construction approved and certified by CESI with conformity certificate CESI 03 ATEX 212.	
Protection IP 67	DIN 40050 Part 9
Working Duty ED 100% DIN VDE 0580	
Max.Operating Pressure: 350 bar	
IMPORTANT: Please contact our Sales Department for any information.	

X	OPTIONS	
	THREADS	φd
08W	3/4"-16UNF-2A	φ 12.7
10W	7/8"-14UNF-2A	φ 15.87
12W	1-1/16"-12UN-2A	φ 22.22
16W	1-5/16"-12UN-2A	φ 28.60
17E	G 3/4"	φ 23.50
19E	3/4"-16UNF-2A	φ 15.87
21E	G 1"	φ 30.00
13A	M20x1.5	φ 17.45
20M	M20x1.5	φ 15.00

Y	OPERATION	
	DESCRIPTION	SYMBOL
01	Normally-Closed No Reverse Flow Energized	
02	Normally-Open No Reverse Flow De-energized	
03	Normally-Closed,Reverse Flow Energized,Nose-in, Side-out Operation	
04	Normally-Open,Reverse Flow De-energized,Nose-in, Side-out Operation	
05	Normally-Closed Reverse Flow Energized	
06	Normally-Open Reverse Flow De-Energized	
07	Normally-Closed With Filter No Reverse Flow Energized (only for EP-08W-2A-07-N-05)	
08	Normally-Open With Filter No Reverse Flow De-energized (only for EP-08W-2A-08-N-05)	
09	Normally-Closed,No Reverse Flow Energized,Nose-in,Side-out Operation	
10	Normally-Open,No Reverse Flow De-energized ,Nose-in, Side-out Operation	
11	Normally-Closed Internal Reverse Check Valve	
12	Normally-Open Internal Reverse Check Valve	
31	Normally Closed-Double Lock	
32	Normally Open-Double Lock	

Z	OPTIONS					
	Voltage (V)	Resistance (Ω)	Power (W)	Current (A)		ΔT °F(°C)
	Nominal	Ta=68~77°F (20~25 °C)	Cold Coil	Cold Coil	Hot Coil	
D	24VDC	72±7%	7	0.33	0.23	140 (60)
E	12VDC	17.4±7%	7	0.67	0.53	170 (77)

CENTRALA ELBLĄG

Ul. Rawska 19B
82-300 Elbląg

tel. /+48/ 55 625 51 00

fax /+48/ 55 625 51 01

Dział Handlowy

tel. /+48/ 55 625 51 51

elblag@hydropress.pl



www.hydropress.pl

ODDZIAŁ GDAŃSK

tel. /+48/ 55 625 51 21

fax /+48/ 55 625 51 22

ODDZIAŁ RUMIA

tel. /+48/ 58 679 34 15

fax /+48/ 55 625 51 25

ODDZIAŁ TYCHY

tel. /+48/ 32 787 52 88

fax /+48/ 55 625 51 38

ODDZIAŁ OLSZTYN

tel. /+48/ 89 532 01 05

fax /+48/ 89 715 21 42

ODDZIAŁ WARSZAWA

tel. /+48/ 22 468 86 97

fax /+48/ 55 625 51 32

BIURO WE WROCŁAWIU

tel. /+48/ 782 838 000

fax /+48/ 55 625 51 35

BIURO W KIELCACH

tel. /+48/ 885 995 501

fax /+48/ 55 625 51 01

BIURO W KRAKOWIE

tel. /+48/ 885 995 019

fax /+48/ 55 625 51 01

BIURO W OPOLU

tel. /+48/ 885 995 011

fax /+48/ 55 625 51 01

BIURO W BYDGOSZCZY

tel. /+48/ 790 222 771

fax /+48/ 55 625 51 01

BIURO W BIAŁYMSTOKU

tel. /+48/ 89 532 01 05

fax /+48/ 89 715 21 42

BIURO W ŁODZI

tel. /+48/ 609 221 421

fax /+48/ 89 715 21 42