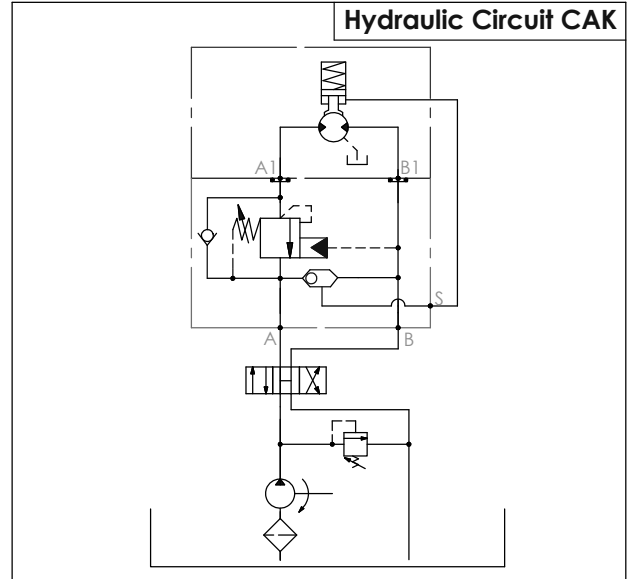
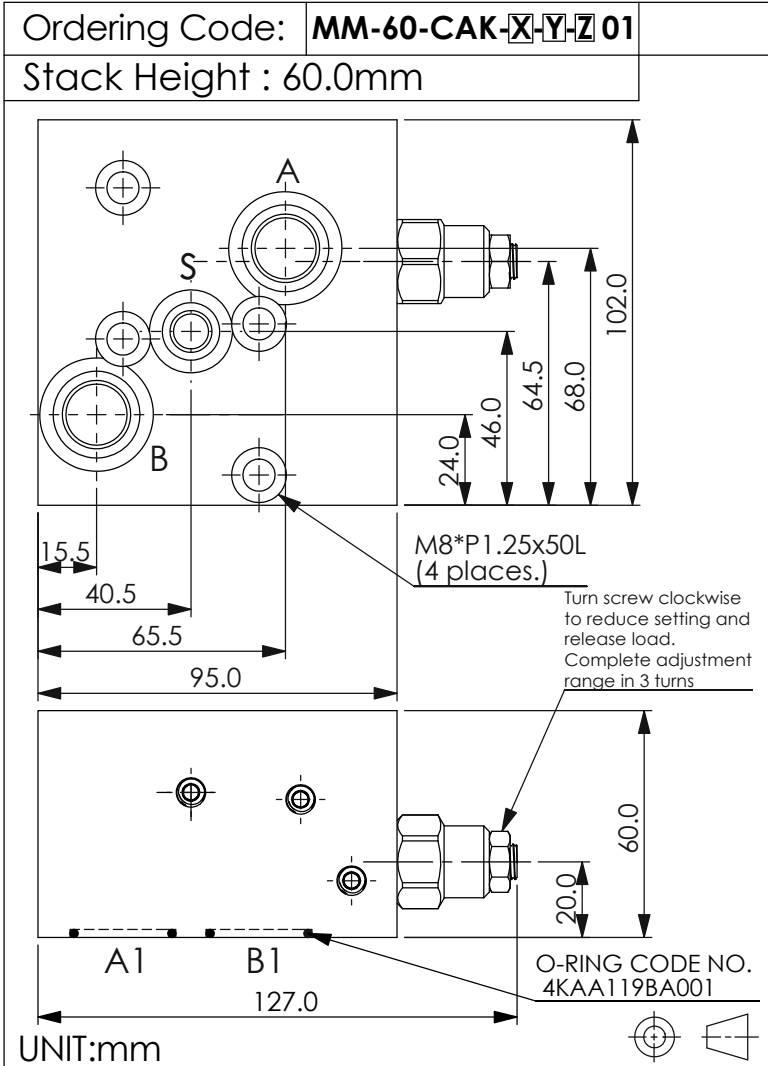


BLOKI DO MONTAŻU NA SILNIKACH HYDRAULICZNYCH

STANDARD ASSEMBLIES MANIFOLD DIRECT MOTOR MOUNTED

(Danfoss OMP/OMR Series)



TECHNICAL DATA

Aluminum Body Pressure Rating: 250 bar

Rated flow: 60 l/min

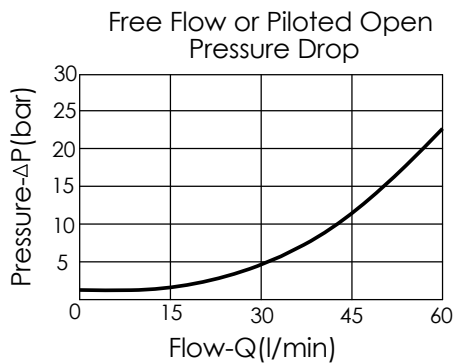
Cartridge Valve:

Refer to CB11A-X-Y-Z

* Reference our Cartridge Valves Catalog.

Weight: 1.6 kg(include valve)

* If you need the special specification. Please contact us.



X SELECTION FOR COUNTERBALANCE VALVES

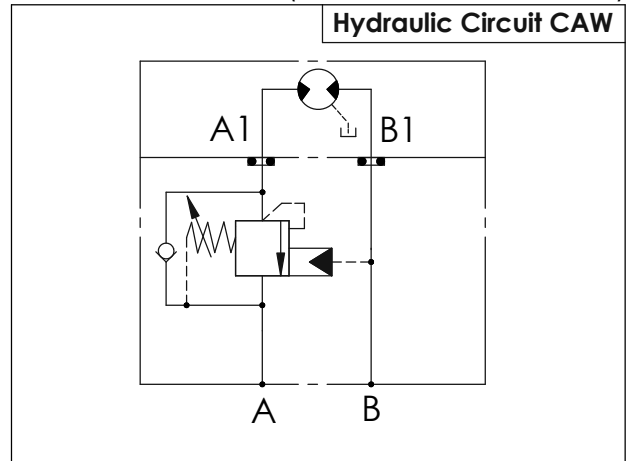
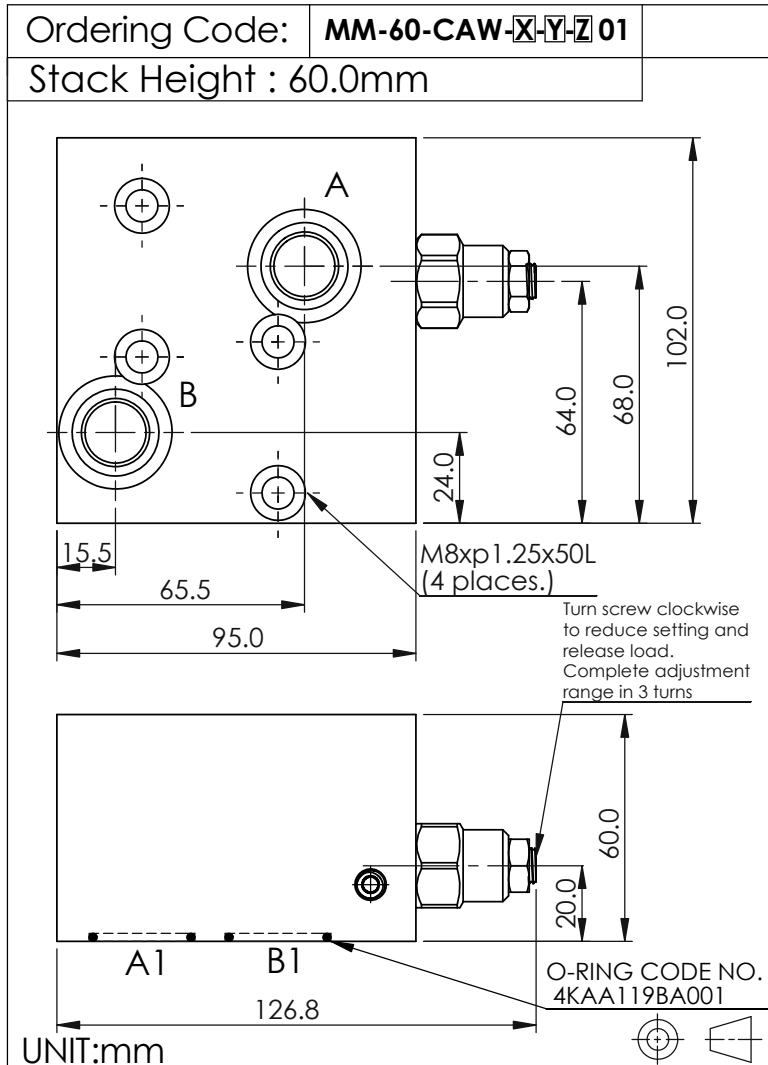
11A3	CAVITY ONLY(WITHOUT VALVE)
CB3H	CB11A33HL (3:1 , 280bar)
CB4J	CB11A34JL (4.5:1 , 350bar)
CB0J	CB11A30JL (10:1 , 350bar)

The selection is only example. Please refer to Winner Cartridge Program and to select the appropriate valves and manifolds assembly in accordance with request function (flow 、 pressure 、 ... etc.)

Y	PORT SIZE	
	PORTS	PORT
	A.B	S
G04	G 1/2"	G 1/4"

Z BODY MATERIAL

A HIGH-STRENGTH ALUMINUM



TECHNICAL DATA

Aluminum Body Pressure Rating: 250 bar

Rated flow: 60 l/min

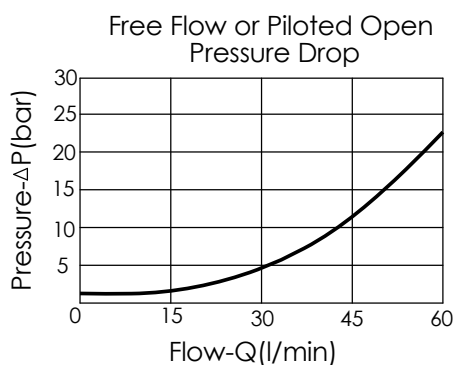
Cartridge Valve:

Refer to CB11A-X-Y-Z

* Reference our Cartridge Valves Catalog.

Weight: 1.5 kg(include valve)

* If you need the special specification. Please contact us.



Y	PORT SIZE	
	PORTS	
	A.B	
G04	G 1/2"	

X	SELECTION FOR COUNTERBALANCE VALVES	
11A3	CAVITY ONLY(WITHOUT VALVE)	
CB3H	CB11A33HL (3:1 , 280bar)	
CB4J	CB11A34JL (4.5:1 , 350bar)	
CB0J	CB11A30JL (10:1 , 350bar)	

The selection is only example. Please refer to Winner Cartridge Program and to select the appropriate valves and manifolds assembly in accordance with request function (flow 、 pressure 、 ... etc.)

Z	BODY MATERIAL	
A	HIGH-STRENGTH ALUMINUM	

STANDARD ASSEMBLIES MANIFOLD DIRECT MOTOR MOUNTED

(Danfoss OMP/OMR Series)

Ordering Code: **MM-60-CDK-X-Y-Z 01**

Stack Height : 60.0mm

Dimensions (mm):

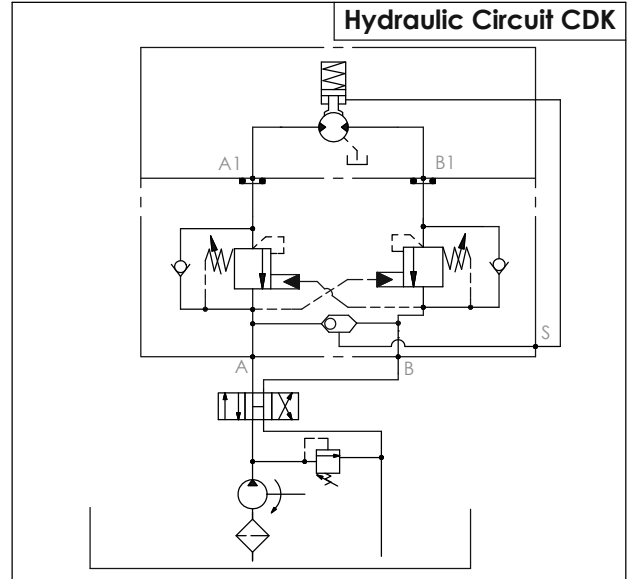
- 27.5
- 29.5
- 54.5
- 79.5
- 109.0
- 24.0
- 46.0
- 64.5
- 68.0
- 102.0
- 60.0
- 21.0
- 173

M8xp1.25x50L (4 places.)

Turn screw clockwise to reduce setting and release load. Complete adjustment range in 3 turns

O-RING CODE NO. 4KAA119BA001

UNIT:mm



TECHNICAL DATA

Aluminum Body Pressure Rating: 250 bar

Rated flow: 60 l/min

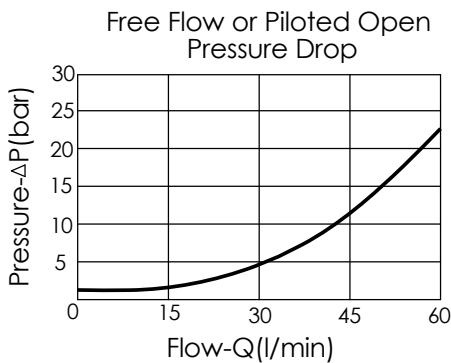
Cartridge Valve:

Refer to CB11A-X-Y-Z

* Reference our Cartridge Valves Catalog.

Weight: 2.1 kg(include valve)

* If you need the special specification. Please contact us.



X SELECTION FOR COUNTERBALANCE VALVES

11A3-11A3	CAVITY ONLY(WITHOUT VALVE)
CB3H-CB3H	CB11A33HL (3:1 , 280bar)
CB4J-CB4J	CB11A34JL (4.5:1 , 350bar)
CB0J-CB0J	CB11A30JL (10:1 , 350bar)

The selection is only example. Please refer to Winner Cartridge Program and to select the appropriate valves and manifolds assembly in accordance with request function (flow , pressure , ... etc.)

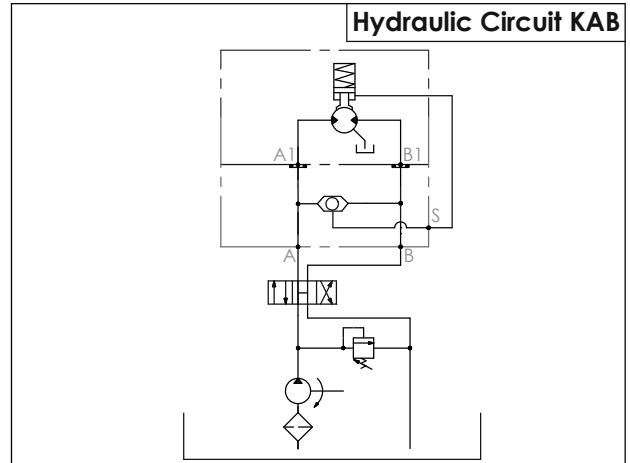
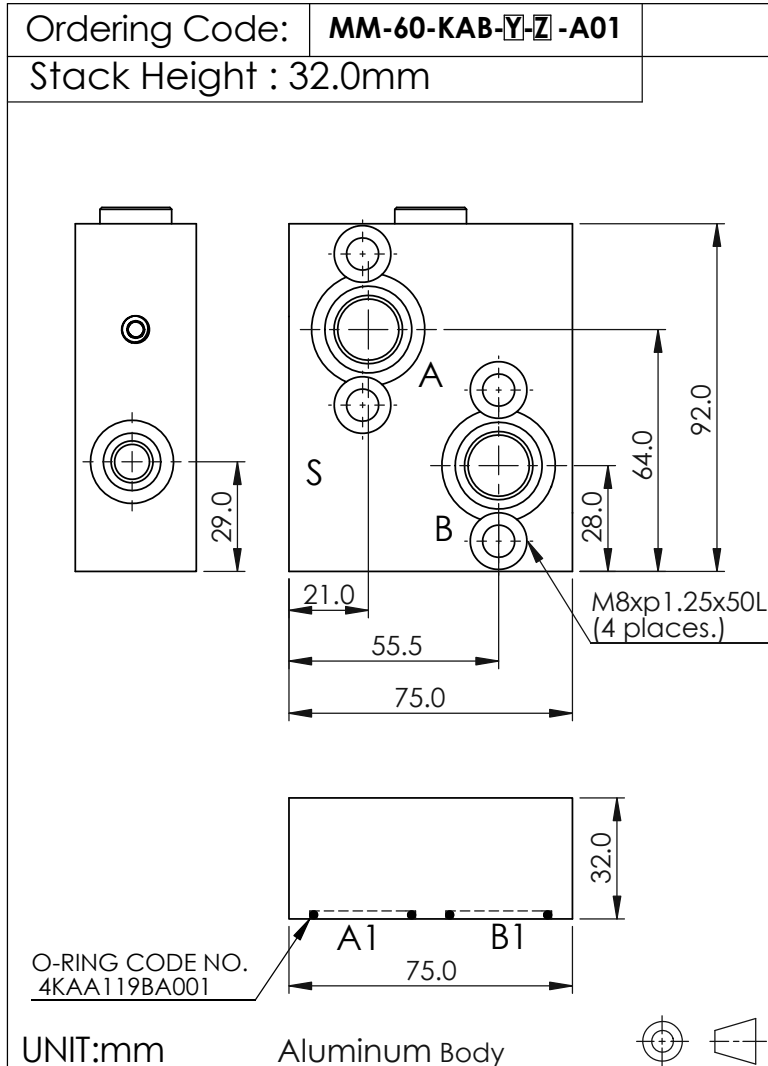
Z BODY MATERIAL

A HIGH-STRENGTH ALUMINUM

Y	PORT SIZE	
	PORTS	PORT
	A.B	S
G04	G 1/2"	G 1/4"

STANDARD ASSEMBLIES MANIFOLD DIRECT MOTOR MOUNTED

(Danfoss OMP/OMR Series)



TECHNICAL DATA

Aluminum Body Pressure Rating: 250 bar

Rated flow: 60 l/min

Weight: 0.6 kg(include valve)

* If you need the special specification.
Please contact us.

Y	PORT SIZE	
	PORTS	
	A.B	
G04	G 1/2"	

Z	PORT SIZE	
	PORT	
	S	
G02	G 1/4"	

STANDARD ASSEMBLIES MANIFOLD DIRECT MOTOR MOUNTED

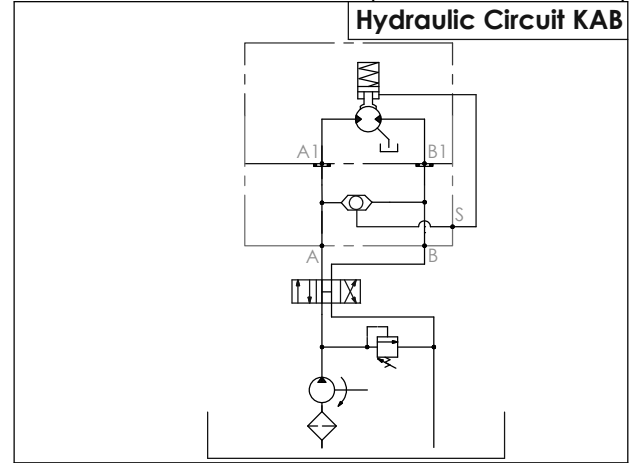
(Danfoss OMS Series)

Ordering Code:	MM-75-KAB-Y-Z-A01
Stack Height :	32.0mm

M10xp1.5x35L
(2 places.)

O-RING CODE NO.
4KAA119BA001

UNIT:mm Aluminum Body



TECHNICAL DATA

Aluminum Body Pressure Rating:	250 bar
Rated flow:	75 l/min
Weight:	0.4 kg(include valve)

* If you need the special specification.
Please contact us.

--	--

--	--

Y	PORT SIZE	
	PORTS	
	A.B	
G04	G 1/2"	

Z	PORT SIZE	
	PORT	
	S	
G02	G 1/4"	

CENTRALA ELBLĄG

Ul. Rawska 19B
82-300 Elbląg

tel. /+48/ 55 625 51 00

fax /+48/ 55 625 51 01

Dział Handlowy

tel. /+48/ 55 625 51 51

elblag@hydropress.pl



www.hydropress.pl

ODDZIAŁ GDAŃSK

tel. /+48/ 55 625 51 21

fax /+48/ 55 625 51 22

ODDZIAŁ RUMIA

tel. /+48/ 58 679 34 15

fax /+48/ 55 625 51 25

ODDZIAŁ TYCHY

tel. /+48/ 32 787 52 88

fax /+48/ 55 625 51 38

ODDZIAŁ OLSZTYN

tel. /+48/ 89 532 01 05

fax /+48/ 89 715 21 42

ODDZIAŁ WARSZAWA

tel. /+48/ 22 468 86 97

fax /+48/ 55 625 51 32

BIURO WE WROCŁAWIU

tel. /+48/ 782 838 000

fax /+48/ 55 625 51 35

BIURO W KIELCACH

tel. /+48/ 885 995 501

fax /+48/ 55 625 51 01

BIURO W KRAKOWIE

tel. /+48/ 885 995 019

fax /+48/ 55 625 51 01

BIURO W OPOLU

tel. /+48/ 885 995 011

fax /+48/ 55 625 51 01

BIURO W BYDGOSZCZY

tel. /+48/ 790 222 771

fax /+48/ 55 625 51 01

BIURO W BIAŁYMSTOKU

tel. /+48/ 89 532 01 05

fax /+48/ 89 715 21 42

BIURO W ŁODZI

tel. /+48/ 609 221 421

fax /+48/ 89 715 21 42